



WX950 Trailer Log Splitter Parts Manual

S/N 295019 to S/N 295030



Foreword

EMB Mfg. has prepared this parts manual to assist customers in ordering quality OEM replacement parts.

Proper and regular service and replacing old, worn or broken parts with the correct Wallenstein parts are essential to prolonging the life of your Wallenstein product. Please refer to this manual before ordering any replacement parts.

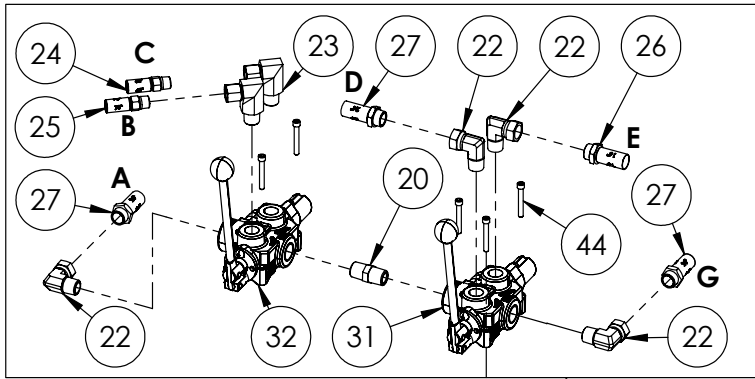
All information contained in this parts manual is based on the latest product specification available at the time of printing this manual. If your product differs from the specifications contained within this manual contact EMB Mfg. for information.

EMB reserves the right to alter specifications on their products at any time.

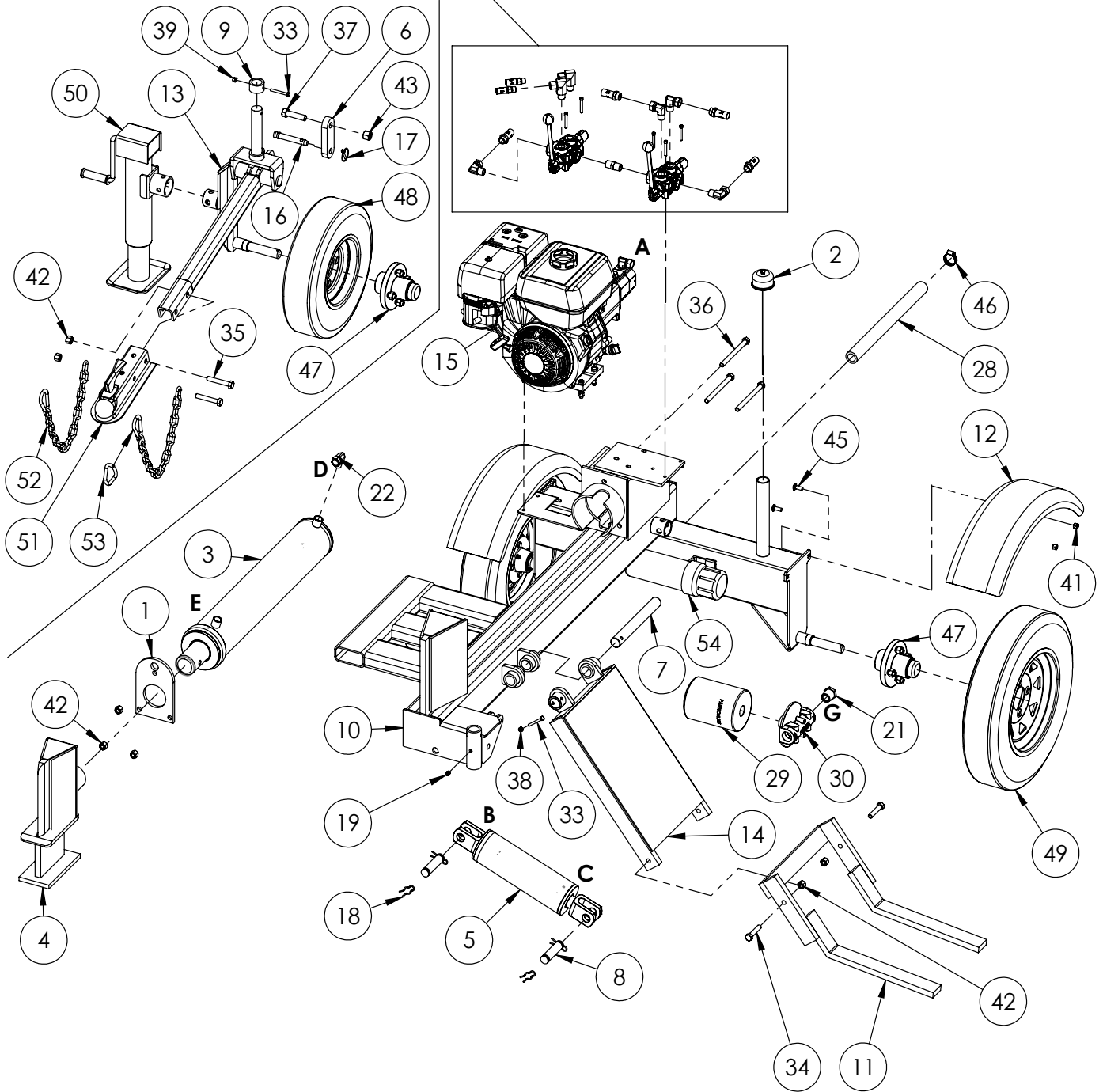
Reproduction of this parts manual of any kind is prohibited without prior written permission from EMB Mfg.

Table of Contents

Main Parts	4
Cylinder	6
Sliding Wedge	7
Valve	8
Hub	10
4-Way Wedge (Optional)	11
Engine & Pump	11
Light Kit (Optional)	12
Decal Breakdown	14

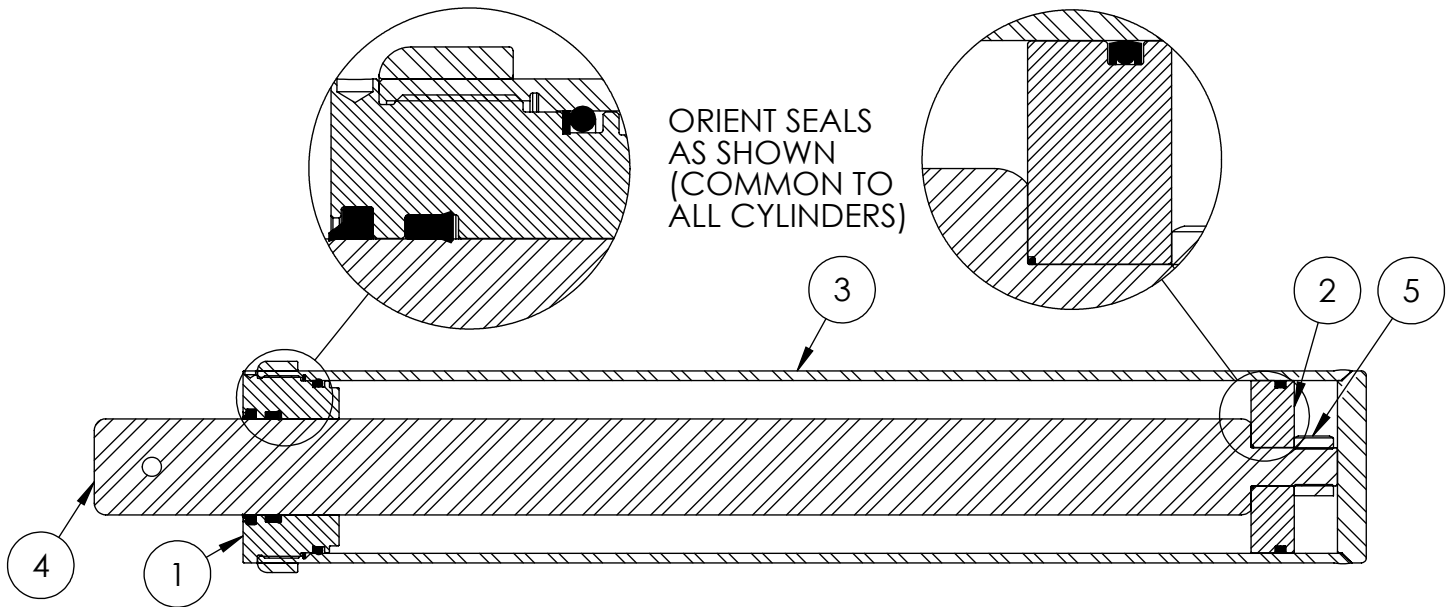


LETTERS DENOTE HOSE ROUTING CONNECTIONS



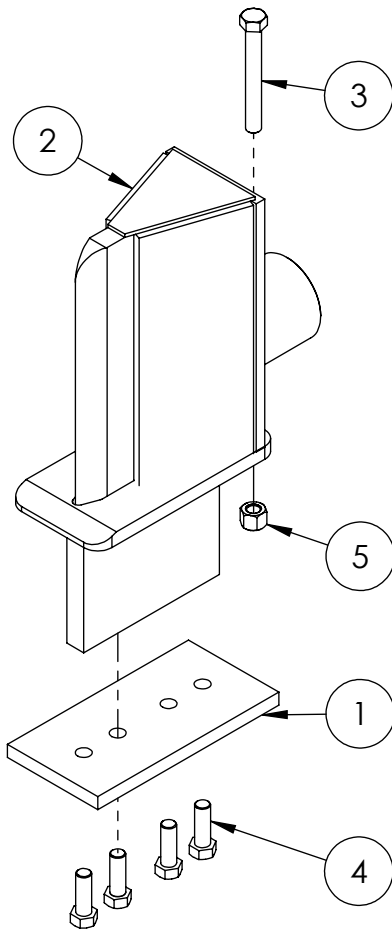
WX950 PARTS BREAKDOWN

ITEM	PART NO.	DESCRIPTION	QTY
1	2032S213	Plate, Cylinder Retaining	1
2	2054A402	Breather cap dipstick	1
3	2055C501	Cylinder, 4-1/2 x 24 x 2-1/2	1
4	2058A802	Wedge, Large Sliding Assy	1
5	2058C801	Cylinder, 3-1/2 x 8 X 1-1/2	1
6	2058L809	Lock Link	1
7	2058M815	Pin, Shelf Pivot	1
8	2058M816	Pin, Log Table Cylinder	2
9	2058M819	Bushing, Pivot with Hole	1
10	2058W805	Weldment, Main Trailer	1
11	2058W810	Weldment, Log Arm	1
12	2058W811	Weldment, Fender	2
13	2058W812	Weldment, Front Tire	1
14	2058W813	Weldment, Lift Shelf	1
15	2061A103	Assy, 9hp Engine to 16gpm Pump	1
16	Z11111	Toplink Pin 5/8 x 2-3/4	1
17	Z12110	Latch Pin 3/16	1
18	Z12271	Securing Pin, 1/8	4
19	Z29201	Grease Fitting, 1/8NPT	2
20	Z51122	Nipple, MP x MP 0808	1
21	Z51223	Reducer, MP x FP 1608	1
22	Z51331	Elbow 90 MP x FPX 0808	5
23	Z51332	Elbow 90 MP x FPX 0806	2
24	Z52233	3/8 Hose, MP06 x MP06 x 63"	1
25	Z52234	3/8 Hose, MP06 x MP06 x 70"	1
26	Z52301	1/2 Hose MP08 x MP08 x 16"	1
27	Z52305	1/2 Hose, MP08 x MP08 x 24"	3
28	Z52404	Suction Hose, 1" x 18"	1
29	Z55303	Oil Filter - 1" - Particulate	1
30	Z55304	Filter Cap, FP16 x FP16	1
31	Z56209	Valve, Single Function Detent	1
32	Z56211	Valve, Single Function	1
33	Z71122	Hex Bolt 1/4NC x 2-1/4	2
34	Z71525	Hex Bolt 1/2NC x 2-1/2	2
35	Z71530	Hex Bolt 1/2NC x 3	2
36	Z71560	Hex Bolt 1/2NC x 6	3
37	Z71625	Hex Bolt, 5/8NC x 2-1/2	1
38	Z72111	Hex Lock Nut 1/4NC	1
39	Z72111	Hex Lock Nut 1/4NC	7
40	Z72221	Hex Lock Nut 5/16NC	1
41	Z72231	Hex Lock Nut 3/8NC	4
42	Z72251	Hex Lock Nut 1/2NC	7
43	Z72261	Hex Lock Nut 5/8NC	1
44	Z75114	SHCS, 1/4NC x 1-3/4	6
45	Z76231	Carriage Bolt 3/8NC x 1	4
46	Z79401	Hose Clamp, #16	2
47	Z91202	Assembly, 1000# 4-Bolt Hub	3
48	Z91301	4.80-8 LRB SportTrail	1
49	Z91302	5.30-12 LRB SportTrail 4 Spoked	2
50	Z91512	Side-Wind 10" Swivel Jack	1
51	Z91614	2" Hitch Coupler	1
52	Z92303	Safety Chain 1/4 x 2'	2
53	Z92303-2	Safety Snap	2
54	Z96503	Manual Tube 3-1/2 Short	1



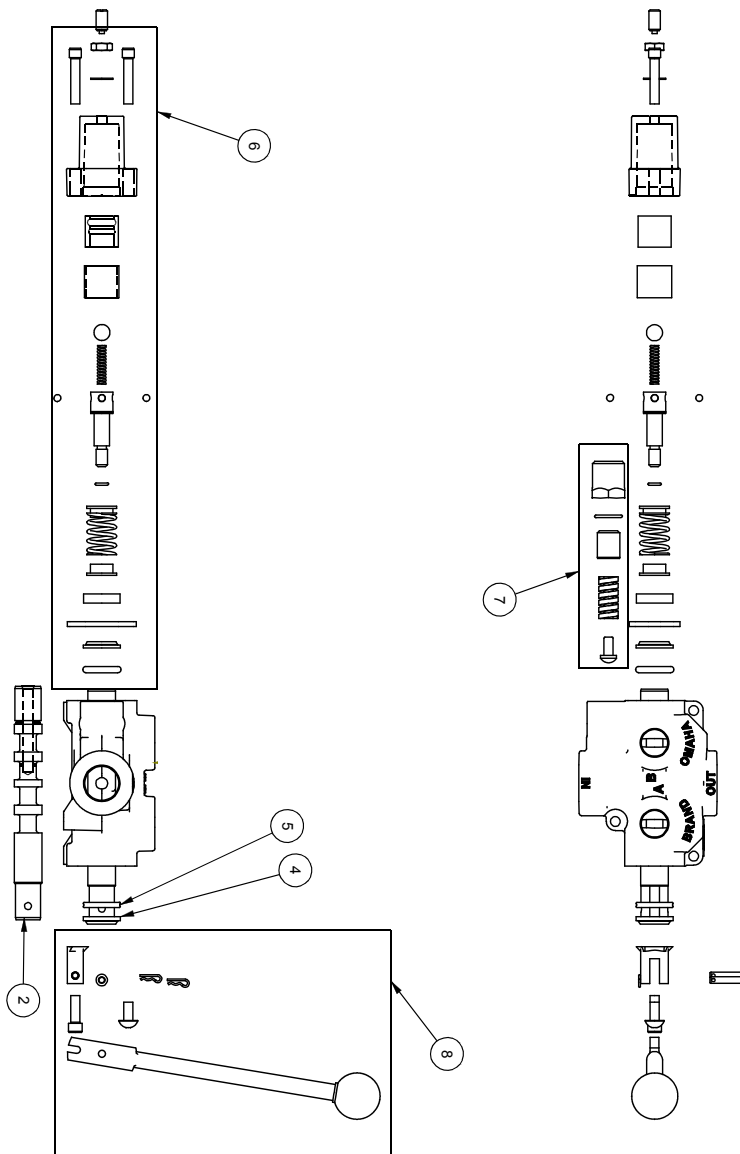
4-1/2" WOODSPLITTER CYLINDER PARTS BREAKDOWN

ITEM	PART NO.	DESCRIPTION	QTY
1	G450-250SA	4-1/2" Bore x 2-1/2" Rod Gland With Seals	1
2	P100-450SA	4-1/2" Bore Piston With Seals	1
3	2055C5014	Barrel, 4-1/2"	1
4	2055C5012	Rod, 2-1/2x 1	1
5	Z72292G8	Hex Lock Nut 1NF Grade 8	1
6	SLK-4525	Seal Kit, 4-1/2 x 2-1/2	1



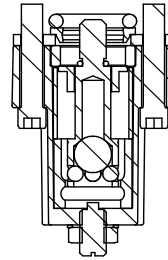
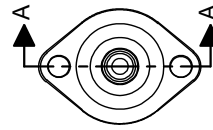
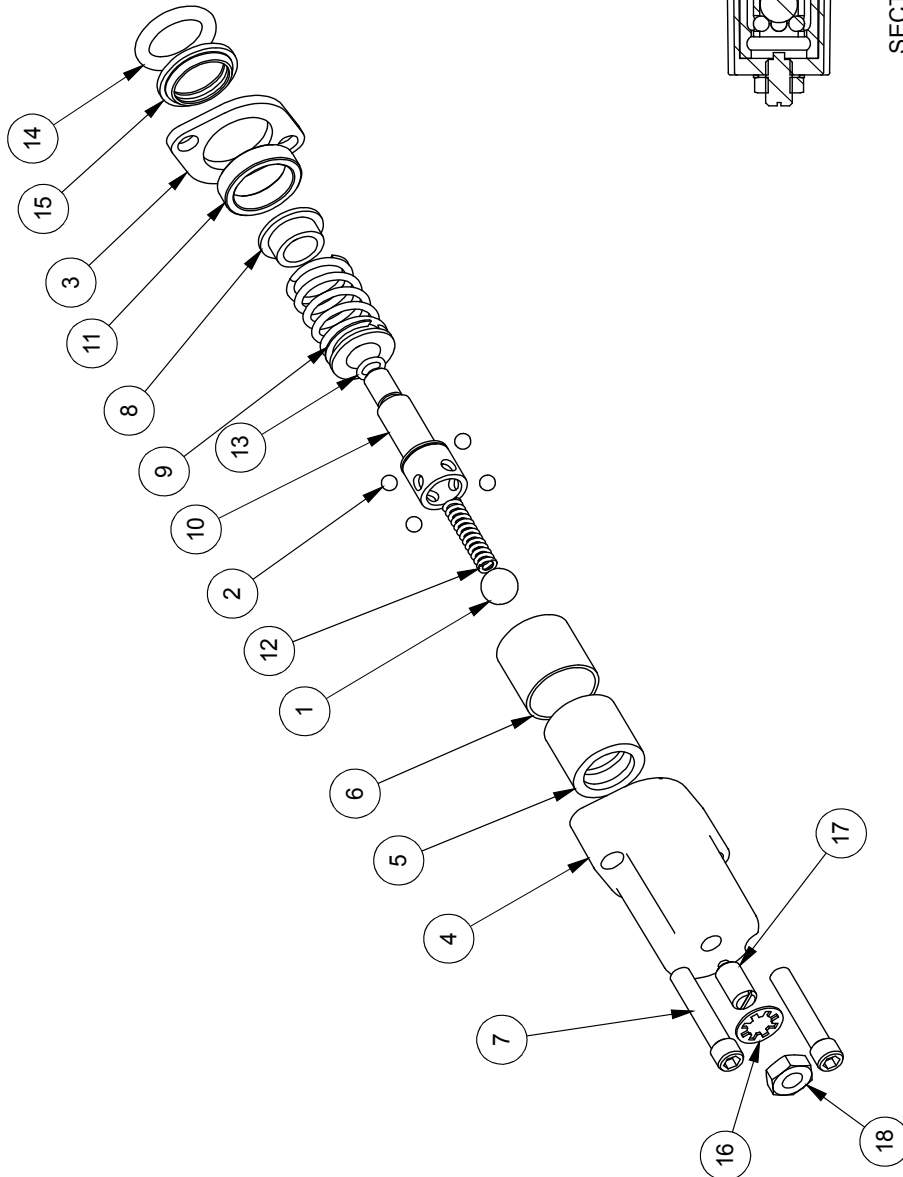
2058A802 SLIDING WEDGE PARTS BREAKDOWN

ITEM	PART NO.	Description	QTY.
1	2014S414	Plate, Sliding Wedge Capture	1
2	2058W803	Wedge, Large Sliding	1
3	Z71540	Hex Bolt 1/2NC x 4	1
4	Z71576	Hex Bolt 1/2NF x 1-1/2	4
5	Z72251	Hex Lock Nut 1/2NC	1

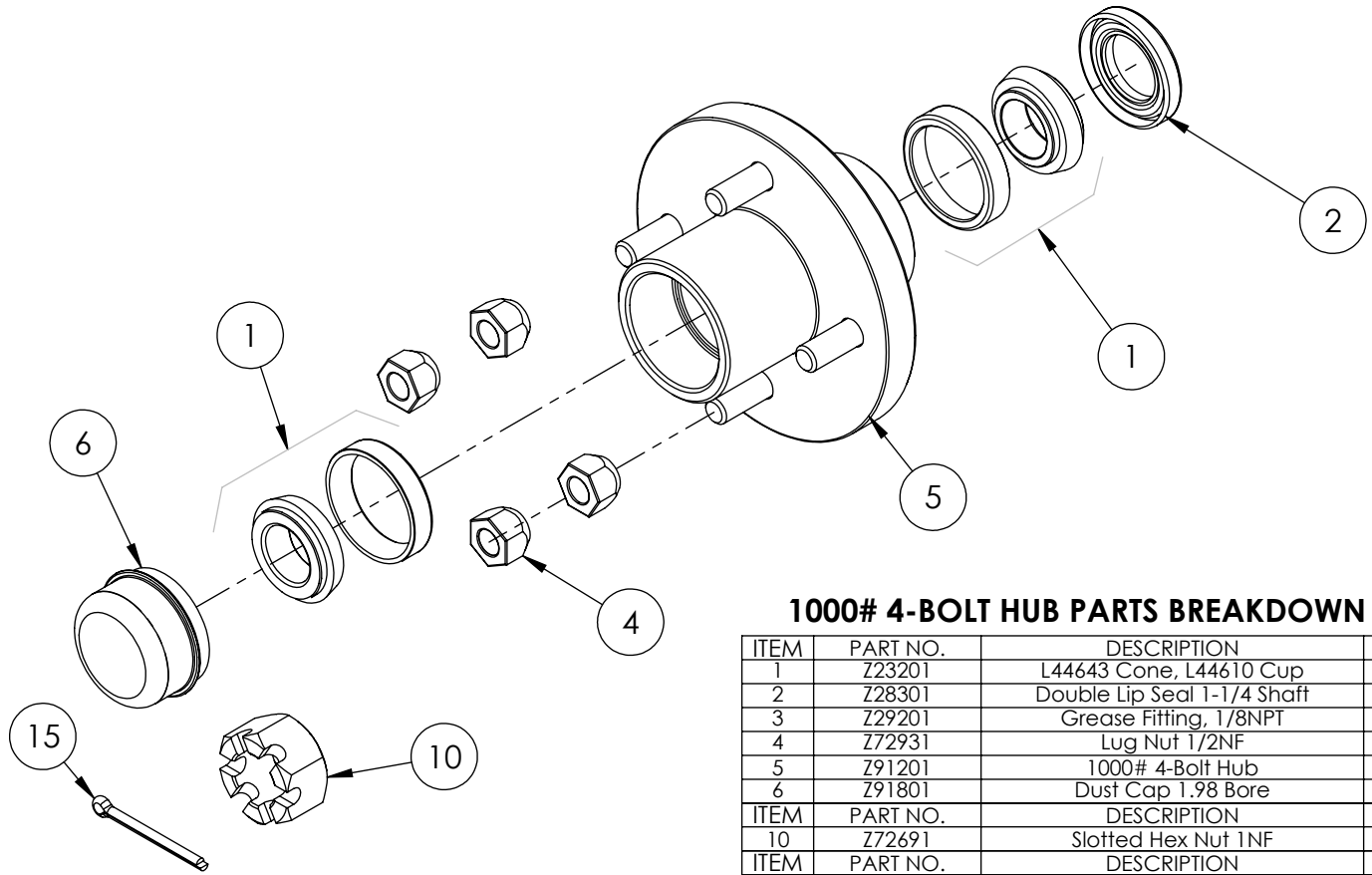


ITEM NO.	QTY.	PART NO.	DESCRIPTION
1	1	AOCAS1B	AO CASTING
2	1	LS3041AJ	SPOOL
3	1	P1740	NAME TAG
4	1	SF305	WIPER
5	1	SF304	QUAD RING
6	1	SUB-LS	SUB-LS
		B5057	7/16 BALL
		DC7604	3/16 BALL
		SF306	RETAINER
		SF477L	SH LS ENDCAP
		XDC672	LS SLEEVE
		SF483	SPACER
		SF486	ALLEN SCREW
		SF489	CENTER STOP
		SF490	CENTERING SPRING
		SF492	HOUSING
		SF315	SPACER
		LS305	DETENT SPRING
		DC7583	O-RING 3-902
		SF496	O-RING BLUE METRIC
		LS306	LS WIPER
		SF502	5/16 LOCK WASHER
		SF503	PLUNGER SPRING
		SF504	5/16 HEX JAM NUT
		SUB-R	RELIEF
		P1603	CAP NUT
		SF322	O-RING 2-016
		SF364A	ADJ. SCREW
		B505	SPRING
		SF361A	POPPET
		Z56915	HANDLE KIT
		SF377	RETAINER
		SF376	SEAL RETAINER
		SF367A	CLEVIS
		SF368	HANDLE
		SF369	PIN
		P1767	PIN CLIP
		HR5	MACH. SCREW
		SF311	KNOB
		SF308	CAP SCREW
		SF3037AJ	SPOOL
		P1654	WARNING TAG

ITEM NO.	QTY.	PART NO.	DESCRIPTION
1	1	B5057	7/16 BALL
2	4	DC7604	3/16 BALL
3	1	SF306	RETAINER
4	1	SF477L	SH LS ENDCAP
5	1	SF480	SD SLEEVE
6	1	SF483	SPACER
7	2	SF486	ALLEN SCREW
8	2	SF489	CENTER STOP
9	1	SF490	CENTERING SPRING
10	1	SF492	HOUSING
11	1	SF315	SPACER
12	1	LS305	DETENT SPRING
13	1	DC7583	O-RING 3-902
14	1	SF496	METRIC O-RING
15	1	LS306	LS WIPER
16	1	SF502	5/16 LOCK WASHER
17	1	SF503	SPRING PLUNGER
18	1	SF504	5/16 HEX JAM NUT



SECTION A-A

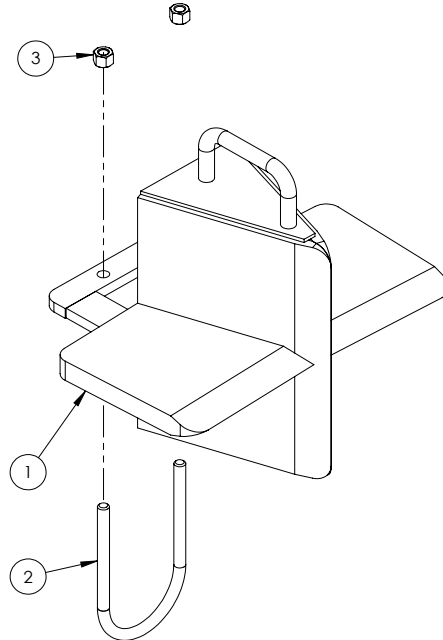
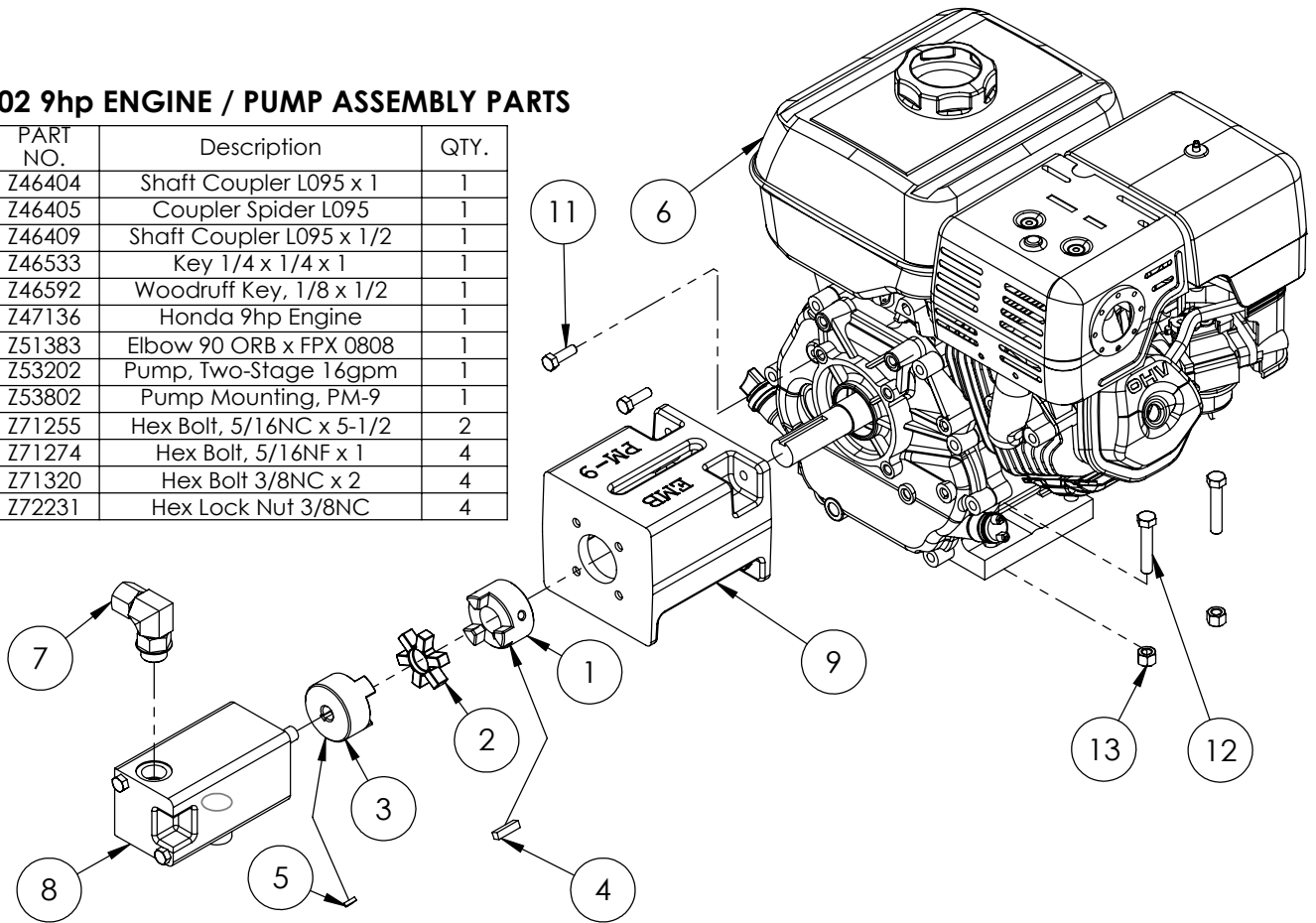


1000# 4-BOLT HUB PARTS BREAKDOWN

ITEM	PART NO.	DESCRIPTION	QTY
1	Z23201	L44643 Cone, L44610 Cup	2
2	Z28301	Double Lip Seal 1-1/4 Shaft	1
3	Z29201	Grease Fitting, 1/8NPT	1
4	Z72931	Lug Nut 1/2NF	4
5	Z91201	1000# 4-Bolt Hub	1
6	Z91801	Dust Cap 1.98 Bore	1
ITEM	PART NO.	DESCRIPTION	QTY
10	Z72691	Slotted Hex Nut 1NF	1
ITEM	PART NO.	DESCRIPTION	QTY
15	Z12322	Cotter Pin 3/16 X 2	1

2061A102 9hp ENGINE / PUMP ASSEMBLY PARTS

ITEM	PART NO.	Description	QTY.
1	Z46404	Shaft Coupler L095 x 1	1
2	Z46405	Coupler Spider L095	1
3	Z46409	Shaft Coupler L095 x 1/2	1
4	Z46533	Key 1/4 x 1/4 x 1	1
5	Z46592	Woodruff Key, 1/8 x 1/2	1
6	Z47136	Honda 9hp Engine	1
7	Z51383	Elbow 90 ORB x FPX 0808	1
8	Z53202	Pump, Two-Stage 16gpm	1
9	Z53802	Pump Mounting, PM-9	1
10	Z71255	Hex Bolt, 5/16NC x 5-1/2	2
11	Z71274	Hex Bolt, 5/16NF x 1	4
12	Z71320	Hex Bolt 3/8NC x 2	4
13	Z72231	Hex Lock Nut 3/8NC	4



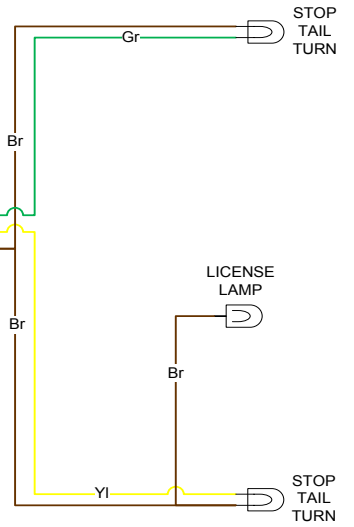
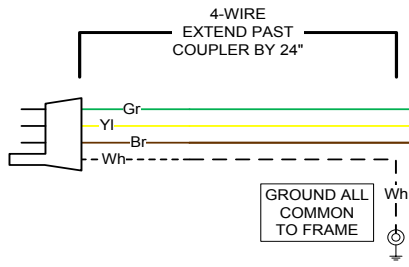
W4130 4-Way Wedge (Optional)

ITEM	PART NO.	DESCRIPTION	QTY
1	2082W301	Weldment, Main 4-Way	1
2	2082S307	U-Bolt, 3 x 4	1
3	Z72231	Hex Lock Nut 3/8NC	2

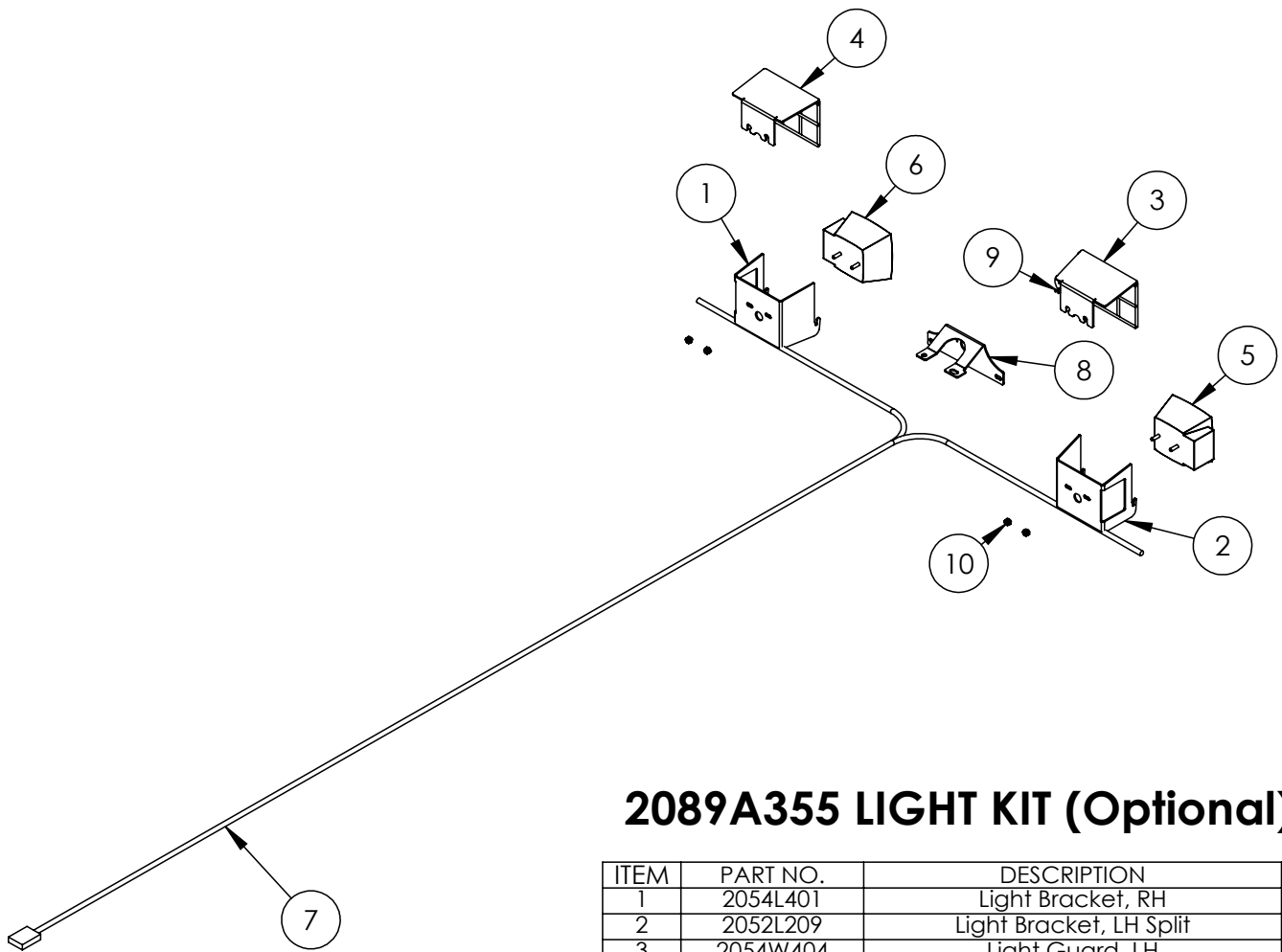
WX TRAILER SPLITTER WIRING

KEY	
Bl	BLUE
Br	BROWN
Gr	GREEN
Rd	RED
Yl	YELLOW
Bk	BLACK
Wh	WHITE

RIGHT SIDE



LEFT SIDE

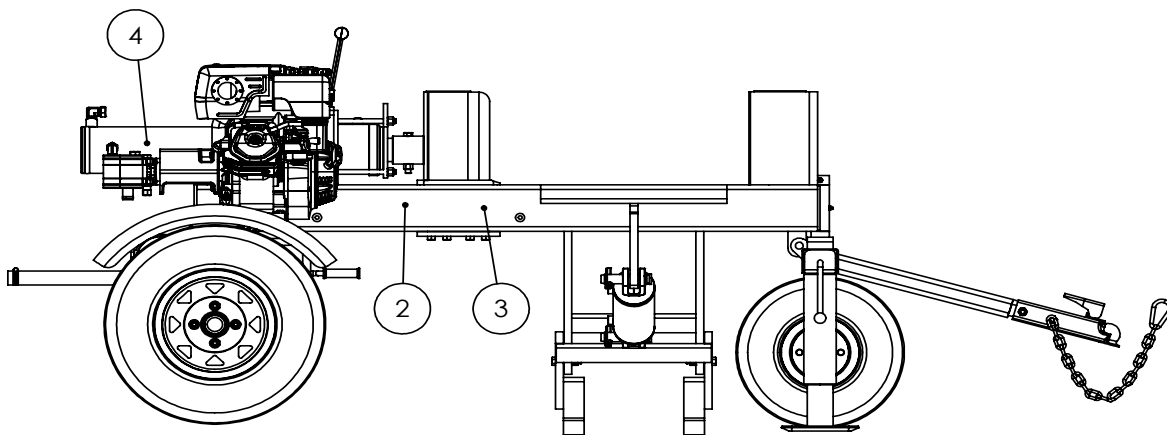
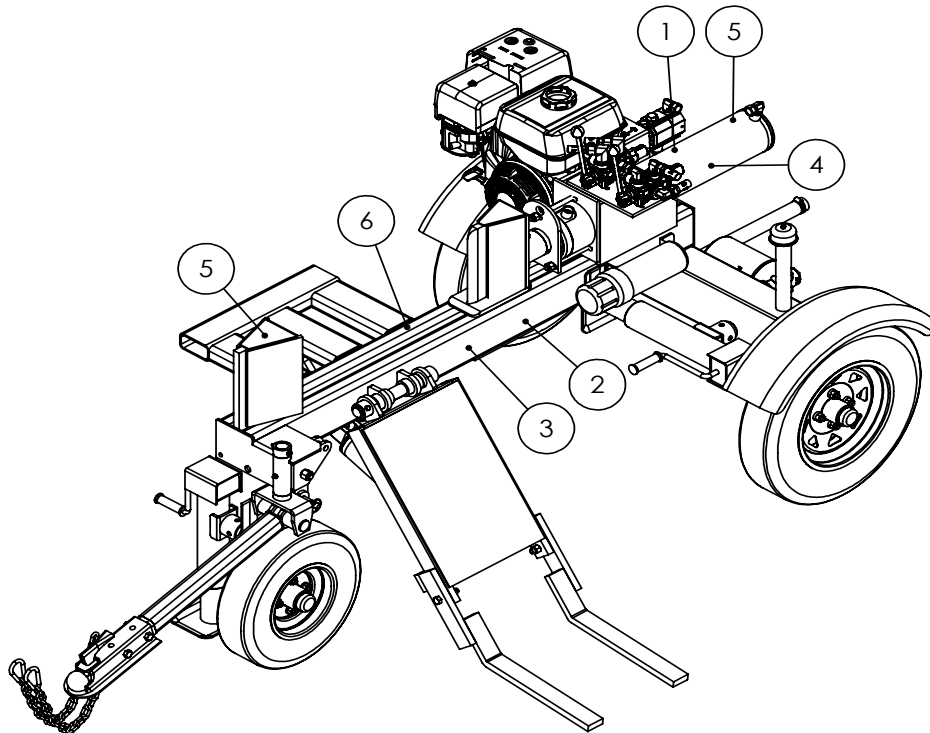


2089A355 LIGHT KIT (Optional)

ITEM	PART NO.	DESCRIPTION	QTY
1	2054L401	Light Bracket, RH	1
2	2052L209	Light Bracket, LH Split	1
3	2054W404	Light Guard, LH	1
4	2054W403	Light Guard, RH	1
5	Z61106	Stop, Turn, Tail Light LH	1
6	Z61107	Stop, Turn, Tail Light RH	1
7	Z62102	10' Wishbone Trailer Harness	1
8	2052L210	License Bracket	1
9	Z61301	License Lamp	1
10	Z72941	Serrated Washer Nut 1/4NC	4

HORIZONTAL LOG SPLITTER DECAL BREAKDOWN

ITEM	PART NO.	DESCRIPTION	QTY
1	Z94039	CAUTION - Read Manual	1
2	Z94040	WARNING - Moving Wedge	2
3	Z94067	Clear Guide	2
4	Z94056	Wallenstein	2
5	Z94019	Made in Canada	2
6	Z94066	Apply Oil or Grease	1



Trailer Splitter Decals

Z94056



Z94067



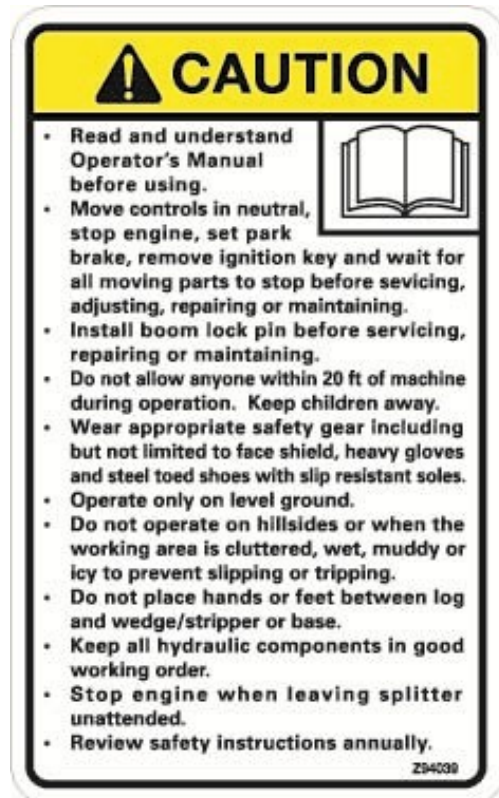
Z94019



Z94066



Z94039



Z94040





WALLENSTEIN Products Manufactured by:

EMB MFG Inc.

4144 Boomer Line
St. Clements, Ontario
Canada N0B 2M0
Phone: 1-877-695-9283
Fax: 519-699-4146
www.embmfg.com