



WP820 Wood Processor Parts Manual

S/N 2E9US11119S061006 to S/N 2E9US11189S061023
Rev C



Foreword

EMB Mfg. has prepared this parts manual to assist customers in ordering quality OEM replacement parts.

Proper and regular service and replacing old, worn or broken parts with the correct Wallenstein parts are essential to prolonging the life of your Wallenstein product. Please refer to this manual before ordering any replacement parts.

All information contained in this parts manual is based on the latest product specification available at the time of printing this manual. If your product differs from the specifications contained within this manual contact EMB Mfg. for information.

EMB reserves the right to alter specifications on their products at any time.

Reproduction of this parts manual of any kind is prohibited without prior written permission from EMB Mfg.

Note: Products with factory installed light kits will have a VIN number included. The last six numbers of this VIN number are the splitters serial number

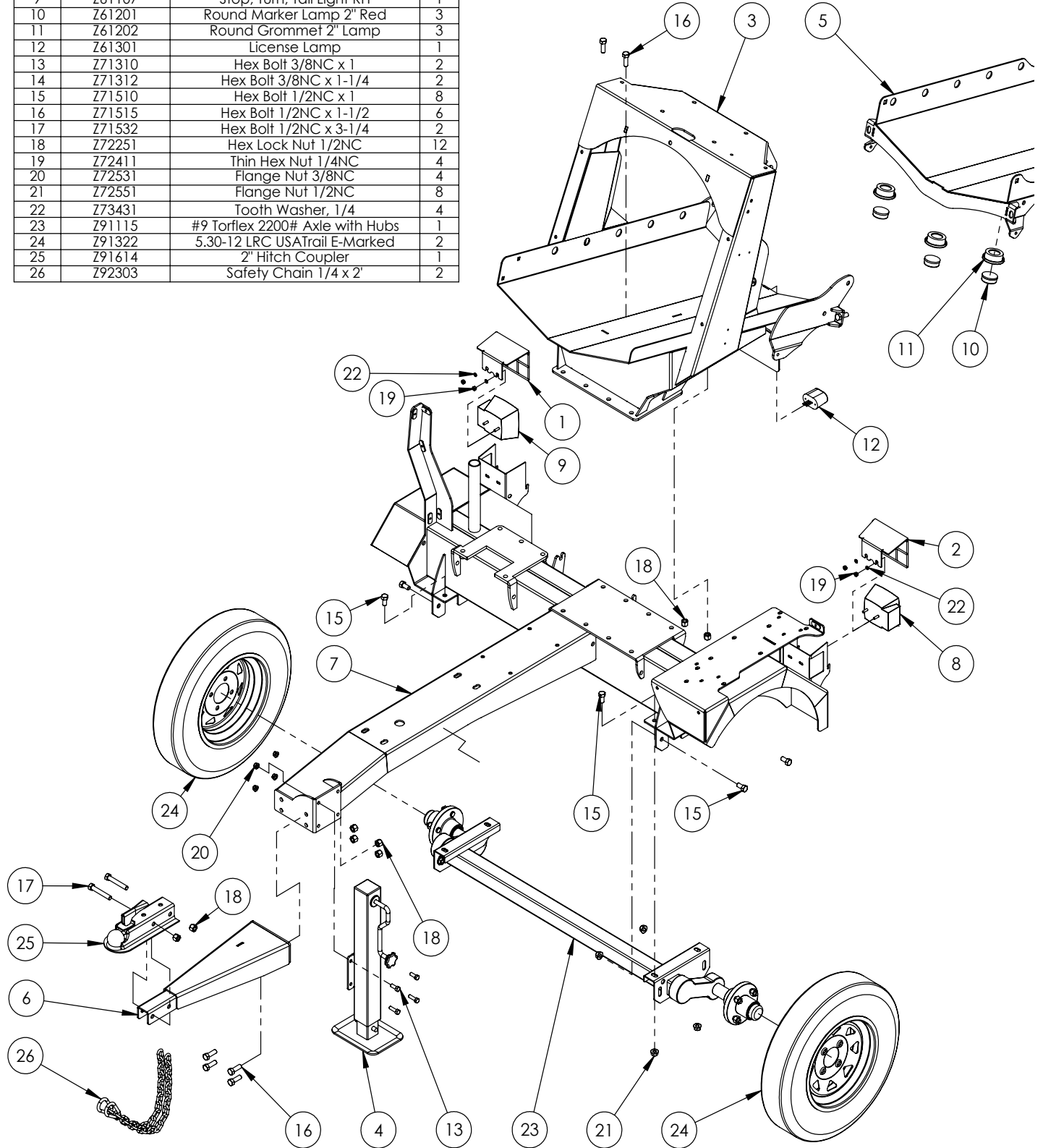
Example: 2E9US1112BSXXXXXX

Table of Contents

Running Gear	4
Saw Station	5
Splitting Station	6
Hydraulic	7
Loadramp & Winch	8
Engine & Pump	9
Winch	10
Fairlead	11
Cylinder	12
Trailer Wiring Diagram	13
Decals	14

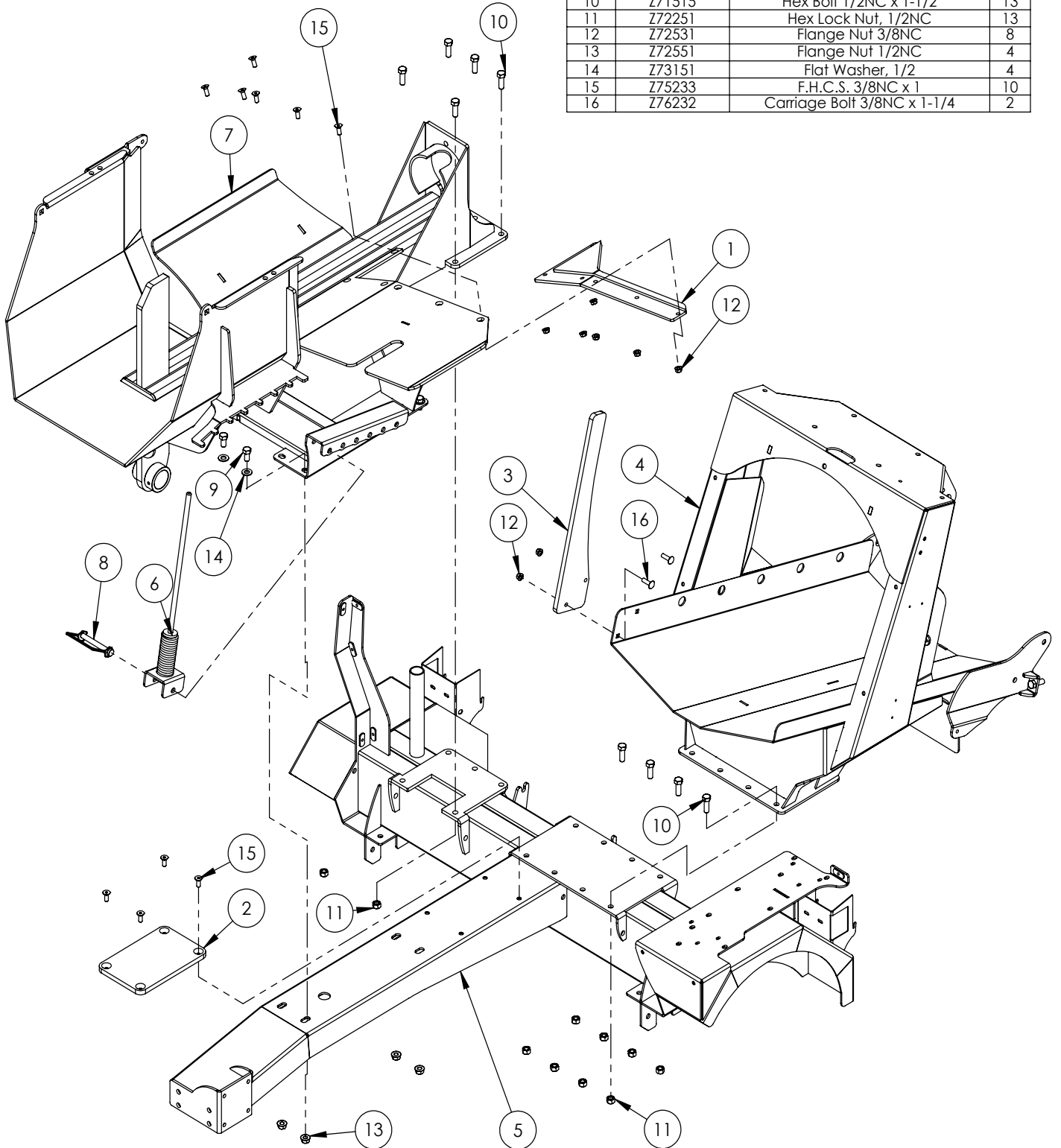
WP RUNNING GEAR PARTS BREAKDOWN

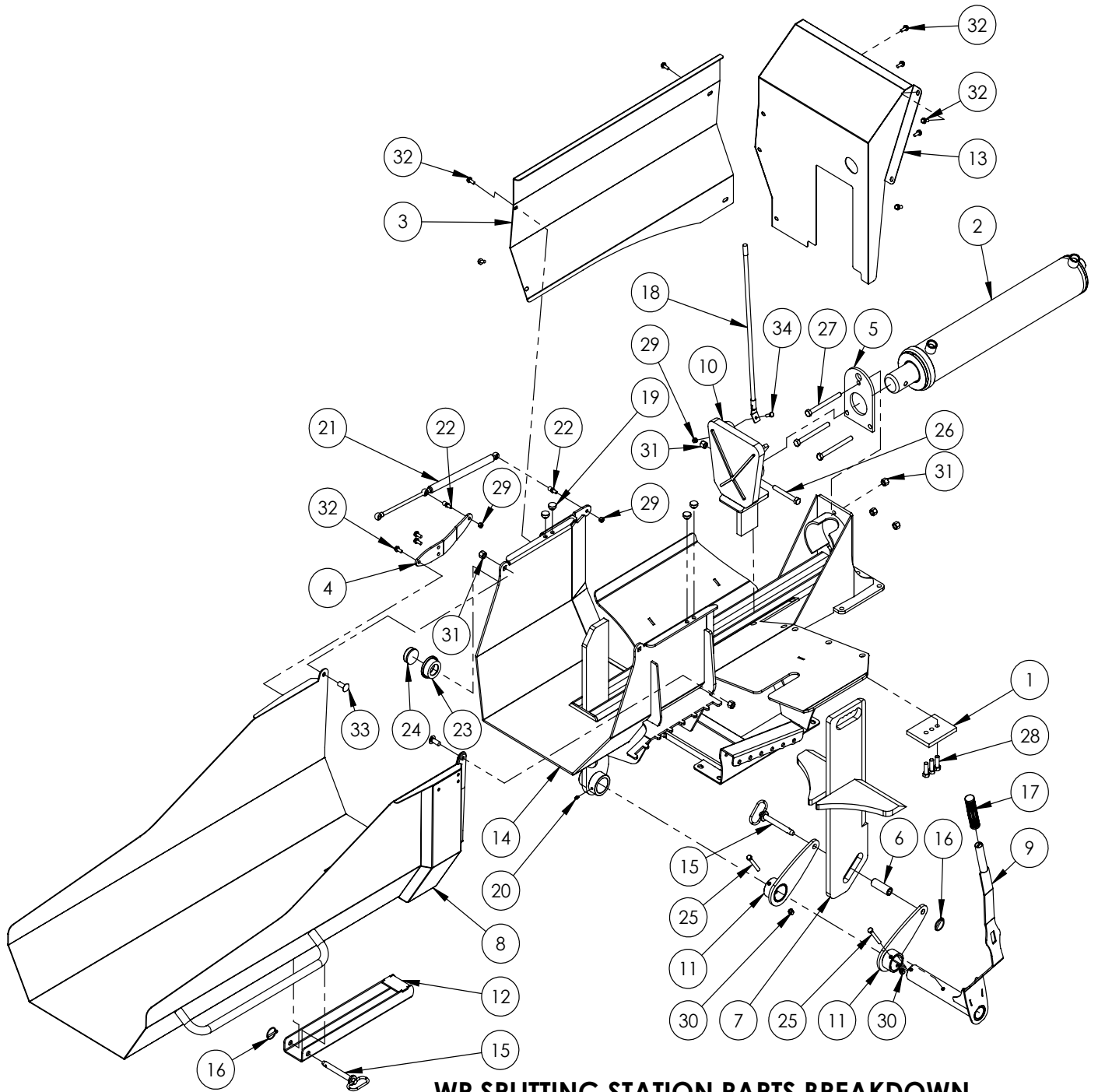
ITEM	PART NO.	DESCRIPTION	QTY
1	2054W403	Light Guard, RH	1
2	2054W404	Light Guard, LH	1
3	2071W115	Chute, Log	1
4	2071W116	Drop Leg Jack Assembly	1
5	2071W118	Chute, Bottom	1
6	2071W119	Tongue	1
7	2071W123	Trailer, Splitter	1
8	Z61106	Stop, Turn, Tail Light LH	1
9	Z61107	Stop, Turn, Tail Light RH	1
10	Z61201	Round Marker Lamp 2" Red	3
11	Z61202	Round Grommet 2" Lamp	3
12	Z61301	License Lamp	1
13	Z71310	Hex Bolt 3/8NC x 1	2
14	Z71312	Hex Bolt 3/8NC x 1-1/4	2
15	Z71510	Hex Bolt 1/2NC x 1	8
16	Z71515	Hex Bolt 1/2NC x 1-1/2	6
17	Z71532	Hex Bolt 1/2NC x 3-1/4	2
18	Z72251	Hex Lock Nut 1/2NC	12
19	Z72411	Thin Hex Nut 1/4NC	4
20	Z72531	Flange Nut 3/8NC	4
21	Z72551	Flange Nut 1/2NC	8
22	Z73431	Tooth Washer, 1/4	4
23	Z91115	#9 Torflex 2200# Axle with Hubs	1
24	Z91322	5.30-12 LRC USA Trail E-Marked	2
25	Z91614	2" Hitch Coupler	1
26	Z92303	Safety Chain 1/4 x 2'	2



WP SAW STATION PARTS BREAKDOWN

ITEM	PART NO.	DESCRIPTION	QTY
1	2071S126	Edge, Log Table	1
2	2071S129	Chain Bumper	1
3	2071S208	Saw Guide	1
4	2071W115	Chufe, Log	1
5	2071W123	Trailer, Splitter	1
6	2071W190	Log Stop Whip	1
7	2071W192	Weldment, Main Frame	1
8	Z12441	Snapper Pin 1/2 x 4-1/2	1
9	Z71510	Hex Bolt 1/2NC x 1	4
10	Z71515	Hex Bolt 1/2NC x 1-1/2	13
11	Z72251	Hex Lock Nut, 1/2NC	13
12	Z72531	Flange Nut 3/8NC	8
13	Z72551	Flange Nut 1/2NC	4
14	Z73151	Flat Washer, 1/2	4
15	Z75233	F.H.C.S. 3/8NC x 1	10
16	Z76232	Carriage Bolt 3/8NC x 1-1/4	2





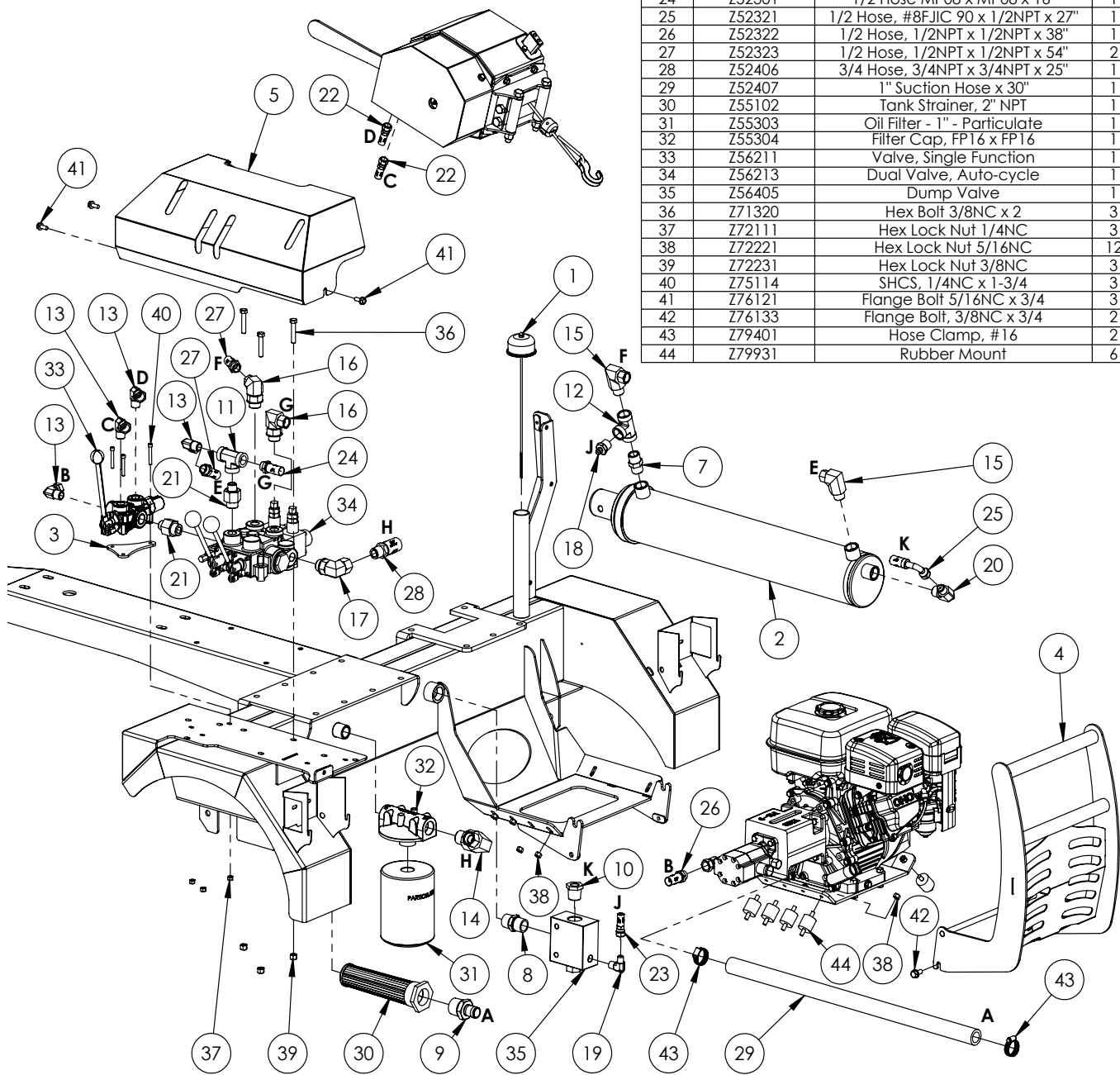
WP SPLITTING STATION PARTS BREAKDOWN

ITEM	PART NO.	DESCRIPTION	QTY
1	2055S517	Cap, Push Block	1
2	2071C101	Cylinder, 4-1/2 x 24 x 2-1/2	1
3	2071L155	Shield	1
4	2071L188	Plate, Spring Mount	1
5	2071L215	Plate, Cylinder Retaining	1
6	2071M123	Roller Wedge Liff	1
7	2071W103	Wedge 4 Way	1
8	2071W104	Splitter Chute	1
9	2071W105	Wedge Position Handle	1
10	2071W109	Weldment, Hvy Push Block	1
11	2071W111	Arm Wedge Liffer	2
12	2071W114	Chute Adjuster	1
13	2071W137	Dust Guard	1
14	2071W192	Weldment, Main Frame	1
15	Z11232	Hitch Pin 5/8 x 4-1/4	2
16	Z12110	Latch Pin 3/16	2
17	Z19321	Grip, 1" x 5"	1

ITEM	PART NO.	DESCRIPTION	QTY
18	Z19908	Whip 1/2 x 24	1
19	Z19909	Rubber Bumper 7/16 x 1	4
20	Z29202	Grease Zerk 1/4NF	1
21	Z34203	Gas Spring, 10mm x 8.44 Stroke	1
22	Z34204	Ball Stud 13mm x 5/16	2
23	Z61202	Round Grommet 2" Lamp	1
24	Z61205	Round Marker Lamp 2" Amber	1
25	Z71330	Hex Bolt, 3/8NC x 3	2
26	Z71540	Hex Bolt 1/2NC x 4	1
27	Z71555	Hex Bolt 1/2NC x 5-1/2	3
28	Z71576	Hex Bolt 1/2NF x 1-1/2	3
29	Z72221	Hex Lock Nut 5/16NC	3
30	Z72231	Hex Lock Nut 3/8NC	2
31	Z72251	Hex Lock Nut 1/2NC	6
32	Z76121	Flange Bolt 5/16NC x 3/4	12
33	Z76259	Carriage Bolt 1/2NC x 1-1/4	2
34	Z71210	Hex Bolt 5/16NC x 1	1

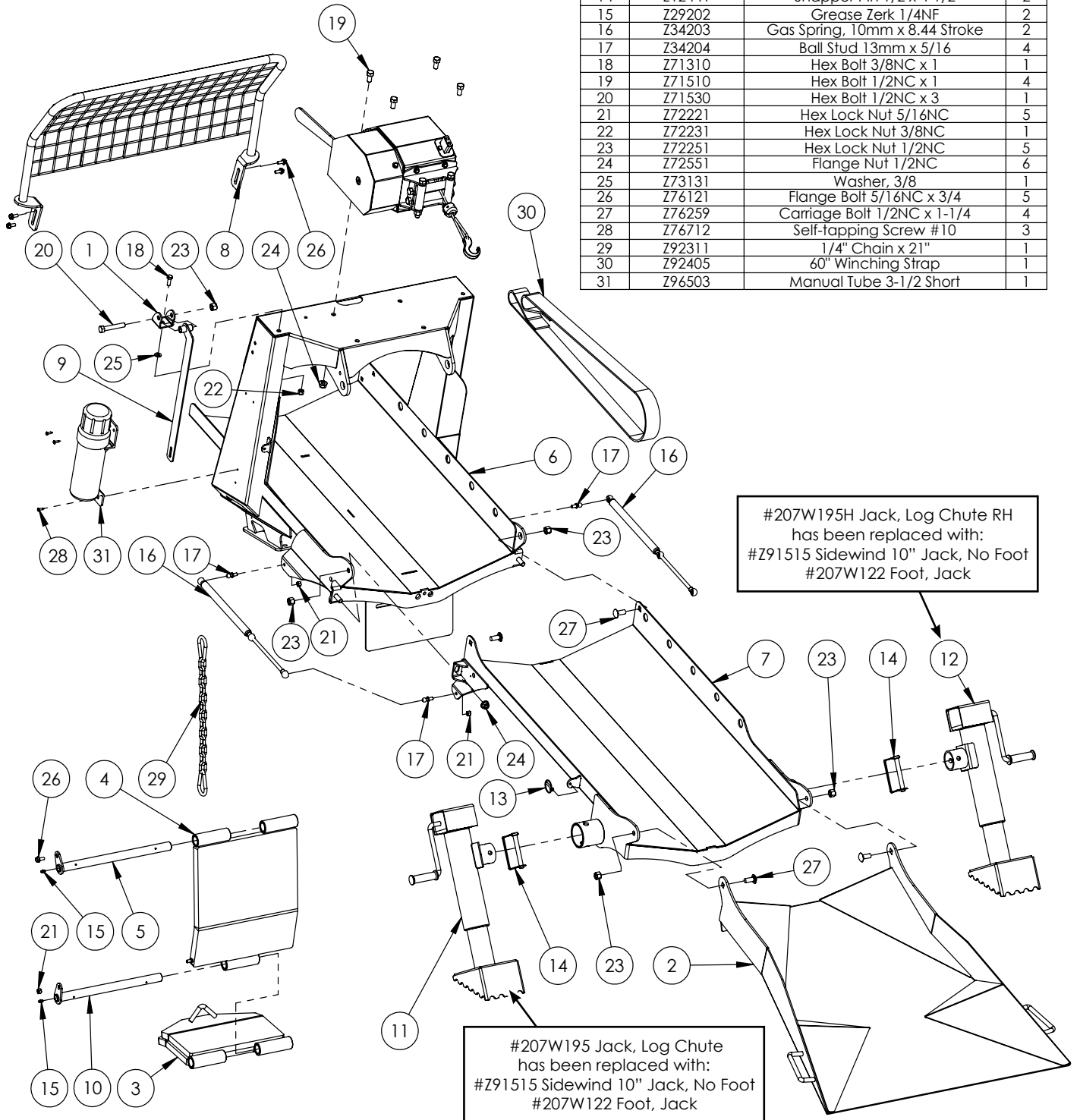
WP820 HYDRAULIC PARTS BREAKDOWN

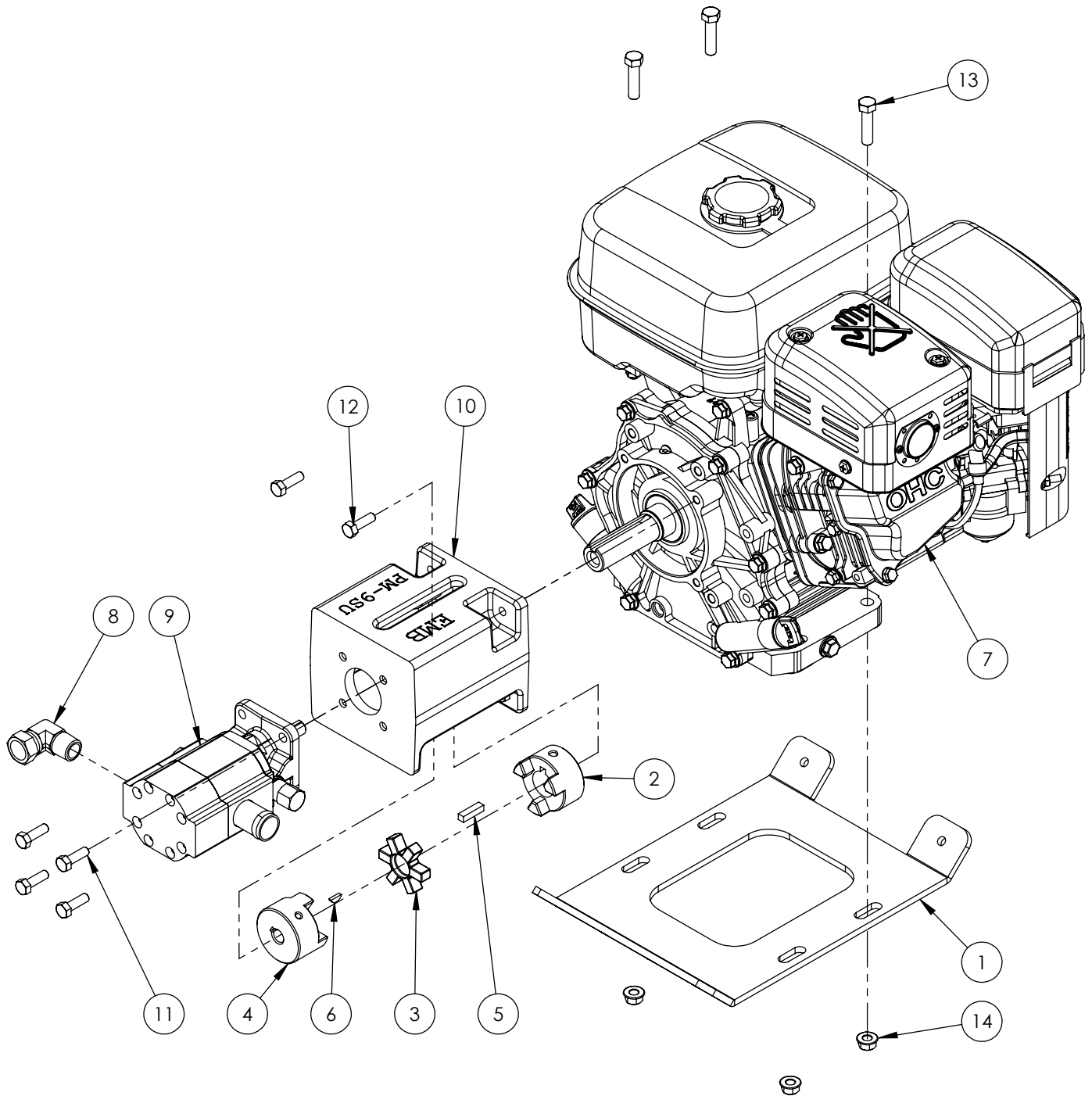
ITEM	PART NO.	DESCRIPTION	QTY
1	2054A402	Breather cap dipstick	1
2	2071C101	Cylinder, 4-1/2 x 24 x 2-1/2	1
3	2071L261	Valve Spacer Plate	1
4	2071W117	Guard, Engine	1
5	2071W134	Cover, Valve	1
7	Z51124	Straight MPxMP 1212	1
8	Z51125	Straight MP x MP 1616	1
9	Z51184	Straight, MP x HB 2016	1
10	Z51223	Reducer, MP x FP 1608	1
11	Z51292	Tee, 1/2FNPT	1
12	Z51293	Tee FP x FP x FP 121212	1
13	Z51331	Elbow 90 MP x FPX 0808	4
14	Z51333	Elbow 90 MP x FPX 1612	1
15	Z51334	Elbow 90 MP x FPX 1208	2
16	Z51388	Elbow 90 ORB x FPX 1208	2
17	Z51389	Elbow 90 ORB x FPX 1212	1
18	Z51446	Straight MJ x MP 0612	1
19	Z51452	#6JIC x 3/8NPT 90 Elbow	1
20	Z51453	Elbow 90 JIC x MP 0812	1
21	Z51612	Straight ORB x MP 1208	2
22	Z52118	1/4 Hose, #6FJIC x 1/2NPT x 50"	2
23	Z52119	1/4 Hose, #6FJIC x #6FJIC 90 x 25"	1
24	Z52301	1/2 Hose MP08 x MP08 x 16"	1
25	Z52321	1/2 Hose, #8FJIC 90 x 1/2NPT x 27"	1
26	Z52322	1/2 Hose, 1/2NPT x 1/2NPT x 38"	1
27	Z52323	1/2 Hose, 1/2NPT x 1/2NPT x 54"	2
28	Z52406	3/4 Hose, 3/4NPT x 3/4NPT x 25"	1
29	Z52407	1" Suction Hose x 30"	1
30	Z55102	Tank Strainer, 2" NPT	1
31	Z55303	Oil Filter - 1" - Particulate	1
32	Z55304	Filter Cap, FP16 x FP16	1
33	Z56211	Valve, Single Function	1
34	Z56213	Dual Valve, Auto-cycle	1
35	Z56405	Dump Valve	1
36	Z71320	Hex Bolt 3/8NC x 2	3
37	Z72111	Hex Lock Nut 1/4NC	3
38	Z72221	Hex Lock Nut 5/16NC	12
39	Z72231	Hex Lock Nut 3/8NC	3
40	Z75114	SHCS, 1/4NC x 1-3/4	3
41	Z76121	Flange Bolt 5/16NC x 3/4	3
42	Z76133	Flange Bolt, 3/8NC x 3/4	2
43	Z79401	Hose Clamp, #16	2
44	Z79931	Rubber Mount	6



WP WINCH PARTS BREAKDOWN

ITEM	PART NO.	DESCRIPTION	QTY
1	2071L123	Clevis, Latch Mount	1
2	2071W101	Chute, Lead In	1
3	2071W102	Hold Down Bottom	1
4	2071W110	Log Hold Down Long	1
5	2071W112	Pin, Log Hold Down	1
6	2071W115	Chute, Log	1
7	2071W118	Chute, Bottom	1
8	2071W120	Winch Shield	1
9	2071W121	Arm, Log Chute Lock	1
10	2071W136	Pin, Log Hold Down	1
11	2071W193	See Notes Below	1
12	2071W193H	See Notes Below	1
13	Z12110	Latch Pin 3/16	1
14	Z12441	Snapper Pin 1/2 x 4-1/2	2
15	Z9202	Grease Zerk 1/4NF	2
16	Z34203	Gas Spring, 10mm x 8.44 Stroke	2
17	Z34204	Ball Stud 13mm x 5/16	4
18	Z71310	Hex Bolt 3/8NC x 1	1
19	Z71510	Hex Bolt 1/2NC x 1	4
20	Z71530	Hex Bolt 1/2NC x 3	1
21	Z72221	Hex Lock Nut 5/16NC	5
22	Z72231	Hex Lock Nut 3/8NC	1
23	Z72251	Hex Lock Nut 1/2NC	5
24	Z72551	Flange Nut 1/2NC	6
25	Z73131	Washer, 3/8	1
26	Z76121	Flange Bolt 5/16NC x 3/4	5
27	Z76259	Carriage Bolt 1/2NC x 1-1/4	4
28	Z76712	Self-tapping Screw #10	3
29	Z92311	1/4" Chain x 21"	1
30	Z92405	60" Winching Strap	1
31	Z96503	Manual Tube 3-1/2 Short	1

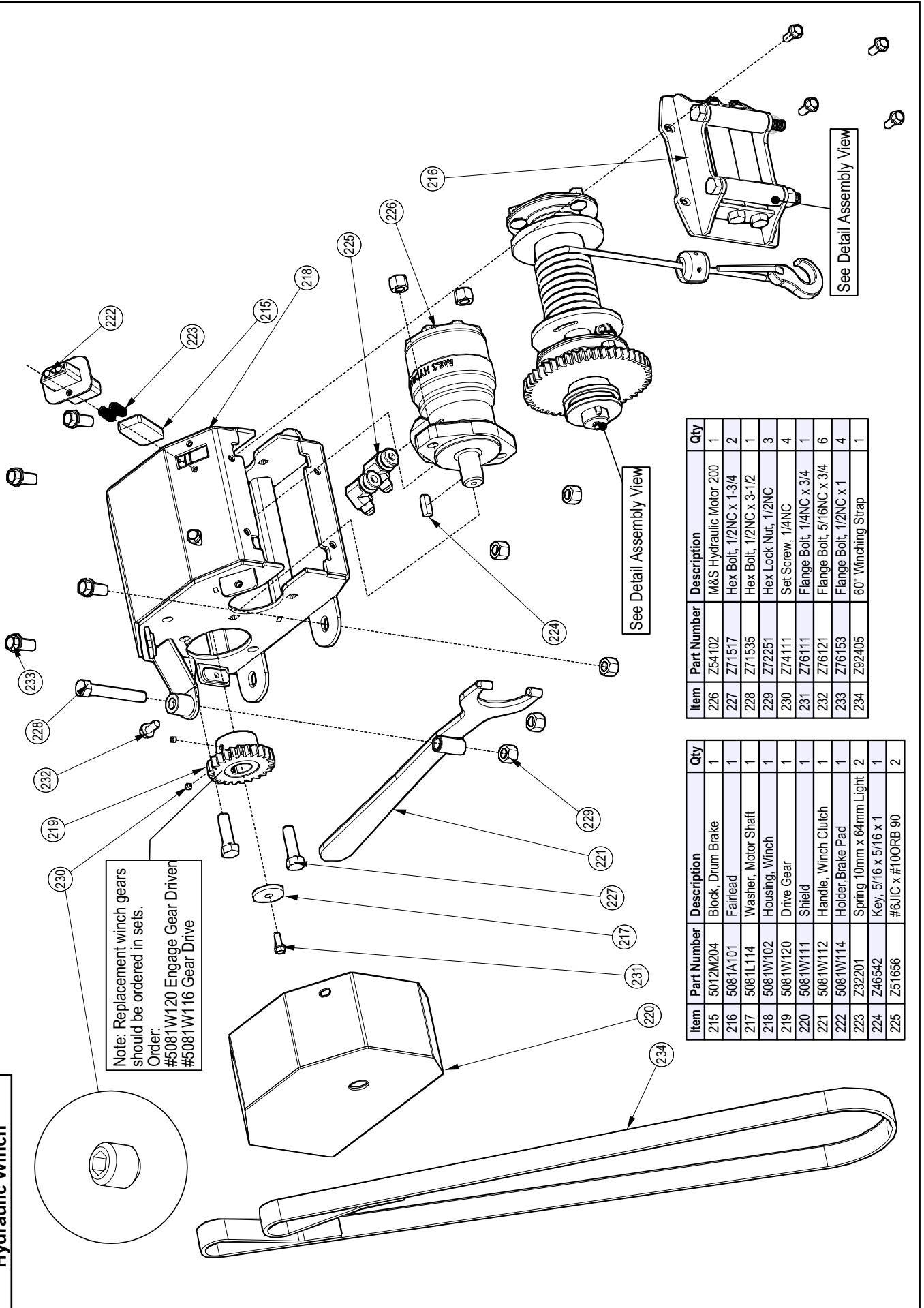




2071A104 PARTS BREAKDOWN

ITEM	PART NO.	DESCRIPTION	QTY
1	2071L185	Plate, Engine Mount	1
2	Z46404	Shaft Coupler L095 x 1	1
3	Z46405	Coupler Spider L095	1
4	Z46409	Shaft Coupler L095 x 1/2	1
5	Z46533	Key 1/4 x 1/4 x 1	1
6	Z46592	Woodruff Key, 1/8 x 1/2	1
7	Z47704	Subaru EX270 9hp Engine	1
8	Z51331	Elbow 90 MP x FPX 0808	1
9	Z53205	Pump, 1&6gpm Two-Stage	1
10	Z53805	Pump Mounting, PM-9SU	1
11	Z71210	Hex Bolt 5/16NC x 1	4
12	Z71274	Hex Bolt, 5/16NF x 1	4
13	Z71315	Hex Bolt 3/8NC x 1-1/2	4
14	Z72531	Flange Nut 3/8NC	4

Hydraulic Winch



Note: Replacement winch gears should be ordered in sets.
Order:
#5081W120 Engage Gear Drive
#5081W116 Gear Drive

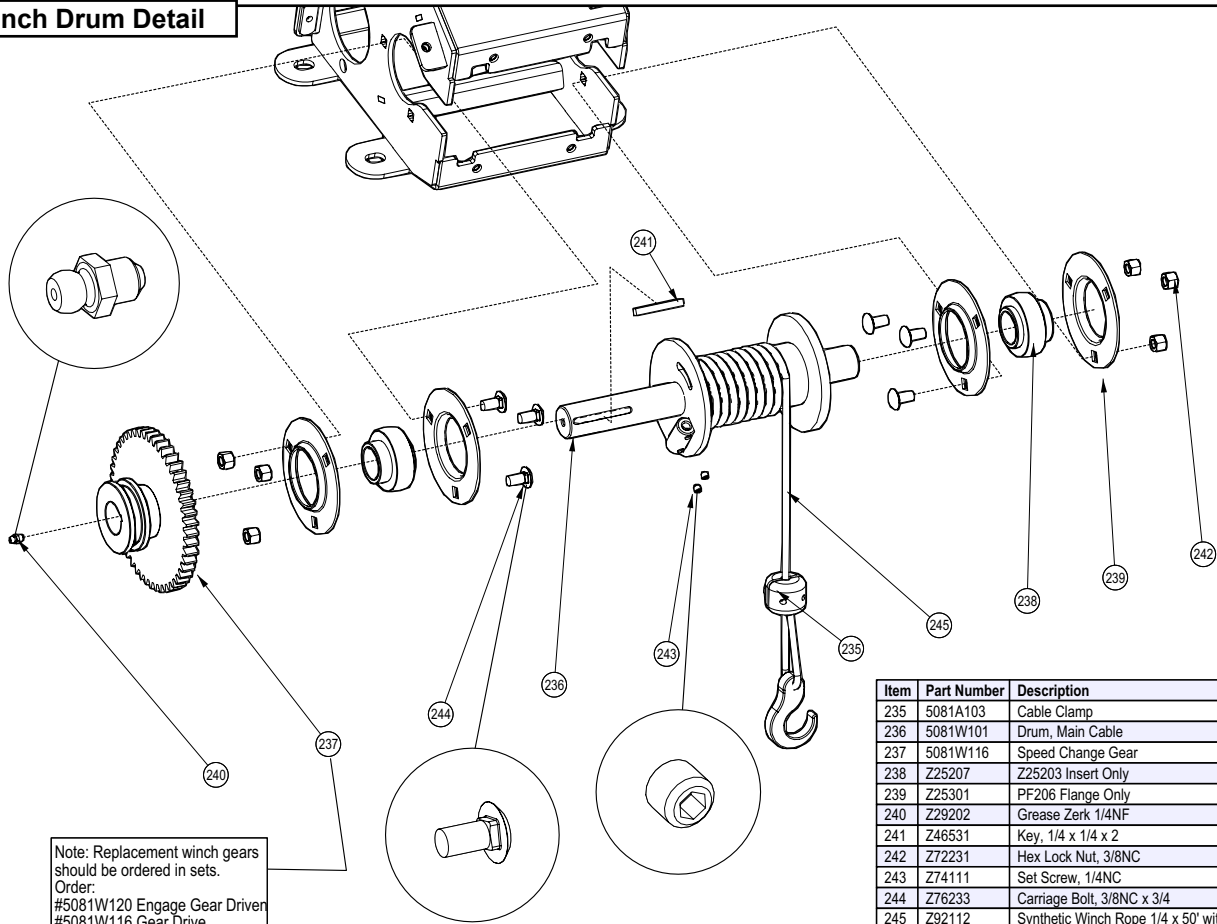
See Detail Assembly View

See Detail Assembly View

Item	Part Number	Description	Qty
226	Z54102	M&S Hydraulic Motor 200	1
227	Z71517	Hex Bolt, 1/2NC x 1-3/4	2
228	Z71535	Hex Bolt, 1/2NC x 3-1/2	1
229	Z72251	Hex Lock Nut, 1/2NC	3
230	Z74111	Set Screw, 1/4NC	4
231	Z76111	Flange Bolt, 1/4NC x 3/4	1
232	Z76121	Flange Bolt, 5/16NC x 3/4	6
233	Z76153	Flange Bolt, 1/2NC x 1	4
234	Z92405	60" Winching Strap	1

Item	Part Number	Description	Qty
	5012M204	Block, Drum Brake	1
215	5081A101	Fairlead	1
217	5081L114	Washer, Motor Shaft	1
218	5081W102	Housing, Winch	1
219	5081W120	Drive Gear	1
220	5081W111	Shield	1
221	5081W112	Handle, Winch Clutch	1
222	5081W114	Holder, Brake Pad	1
223	Z32201	Spring 10mm x 64mm Light	2
224	Z46542	Key, 5/16 x 5/16 x 1	1
225	Z51656	#6JIC x #10ORB 90	2

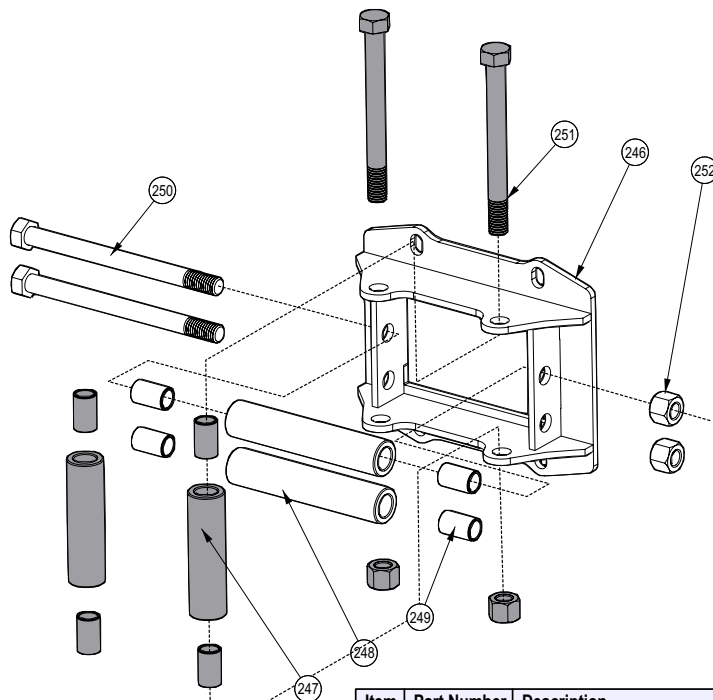
Winch Drum Detail



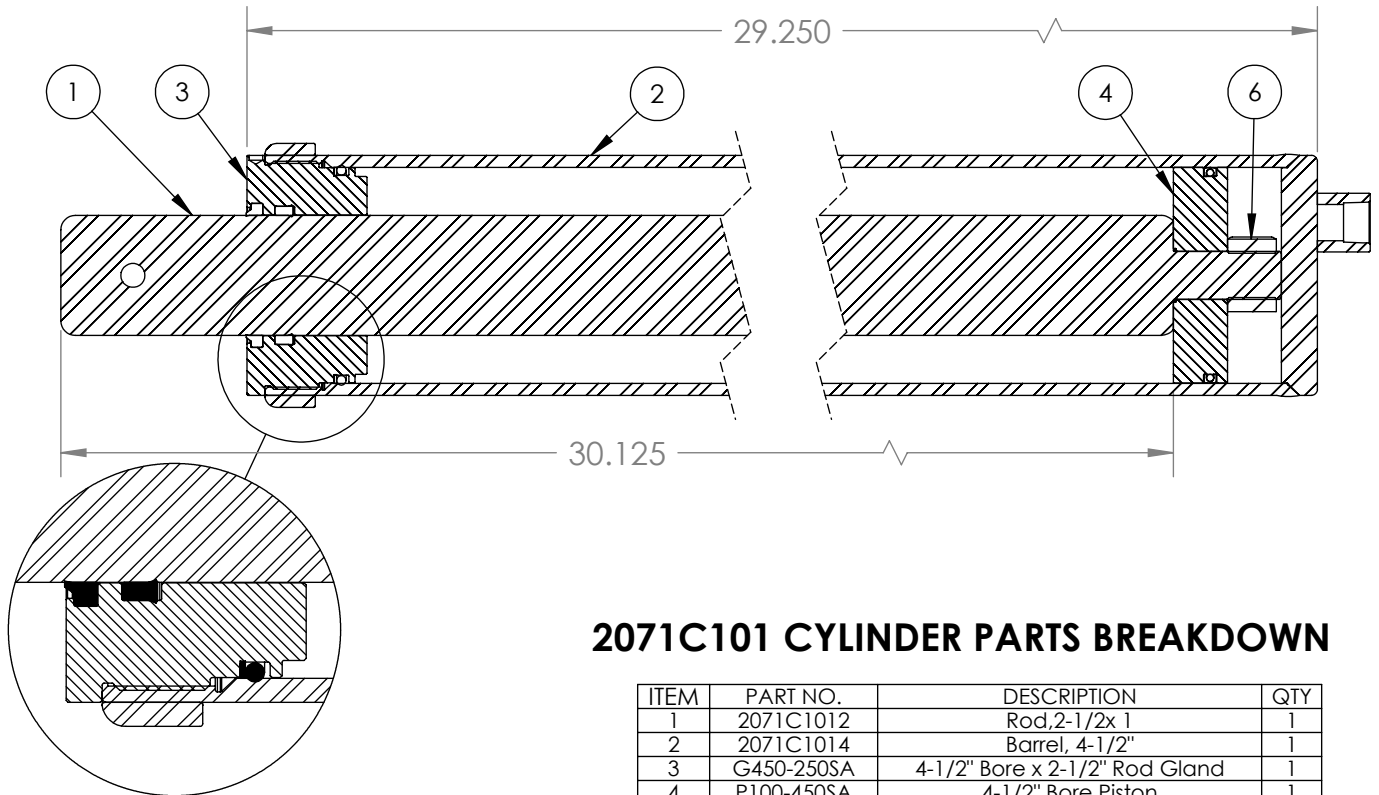
Note: Replacement winch gears should be ordered in sets.
Order:
#5081W120 Engage Gear Driver
#5081W116 Gear Drive

Item	Part Number	Description	Qty
235	5081A103	Cable Clamp	1
236	5081W101	Drum, Main Cable	1
237	5081W116	Speed Change Gear	1
238	Z25207	Z25203 Insert Only	2
239	Z25301	PF206 Flange Only	4
240	Z29202	Grease Zerk 1/4NF	1
241	Z46531	Key, 1/4 x 1/4 x 2	1
242	Z72231	Hex Lock Nut, 3/8NC	6
243	Z74111	Set Screw, 1/4NC	2
244	Z76233	Carriage Bolt, 3/8NC x 3/4	6
245	Z92112	Synthetic Winch Rope 1/4 x 50' with Hook	1

Winch Fairlead Detail



Item	Part Number	Description	Qty
246	5081W103	Bracket, Fairlead	1
247	5081M109	Bushing, Fairlead Side	2
248	5081M111	Bushing, Fairlead Top	2
249	Z27103	Fibreglide Bearing 1/2" x 1"	8
250	Z71566	Hex Bolt, 1/2NC x 6-1/4, 5-1/4 Shank	2
251	Z71567	Hex Bolt, 1/2NC x 5, 4" Shank	2
252	Z72251	Hex Lock Nut, 1/2NC	4



VIEW SHOWS PROPER SEAL ORIENTATION

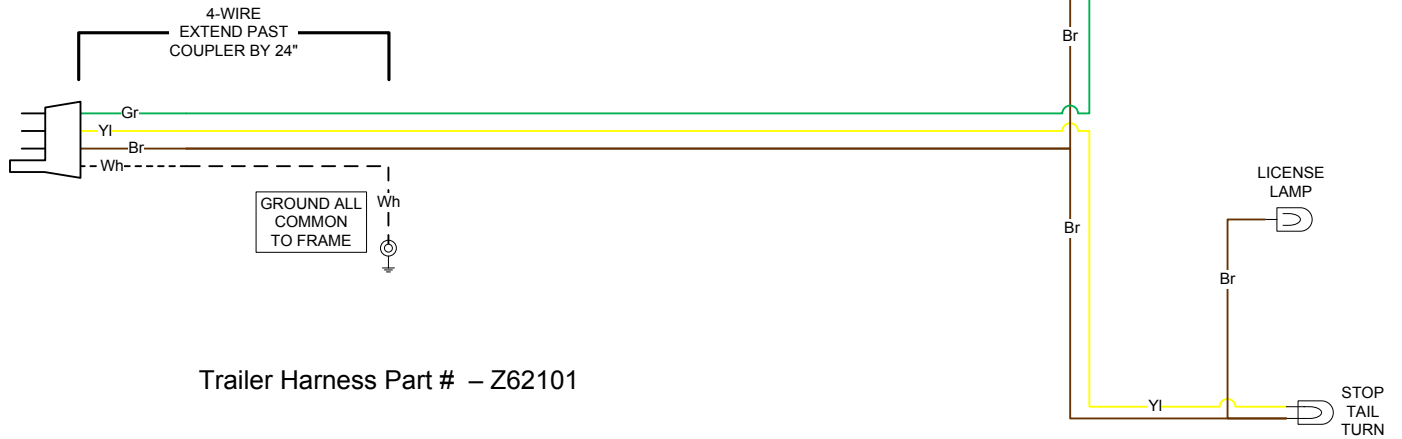
2071C101 CYLINDER PARTS BREAKDOWN

ITEM	PART NO.	DESCRIPTION	QTY
1	2071C1012	Rod, 2-1/2 x 1	1
2	2071C1014	Barrel, 4-1/2"	1
3	G450-250SA	4-1/2" Bore x 2-1/2" Rod Gland	1
4	P100-450SA	4-1/2" Bore Piston	1
5	SLK-4525	Seal Kit, 4-1/2 x 2-1/2	1
6	Z72292G8	Hex Lock Nut 1NF Grade 8	1

WP Wood Processor Trailer Wiring Diagram

RIGHT SIDE

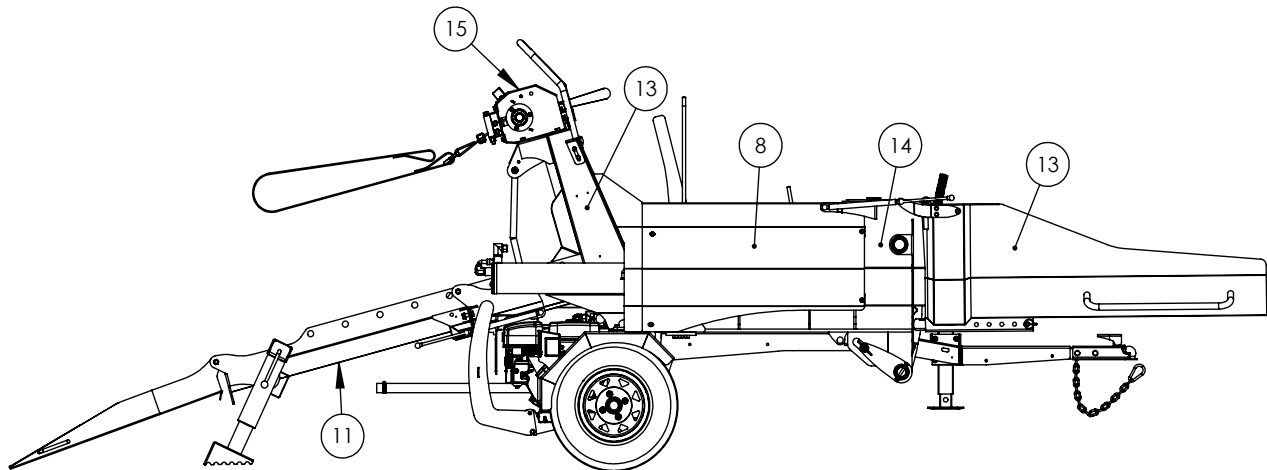
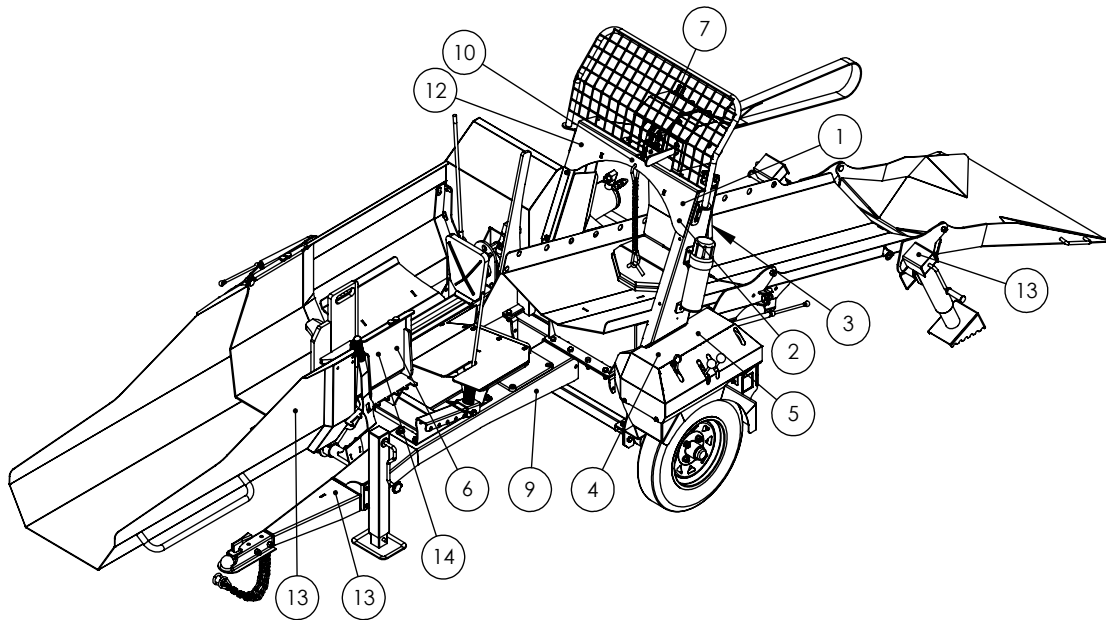
KEY	
Bl	- BLUE
Br	- BROWN
Gr	- GREEN
Rd	- RED
Yl	- YELLOW
Bk	- BLACK
Wh	- WHITE



LEFT SIDE

WP DECAL BREAKDOWN

ITEM	PART NO.	DESCRIPTION	QTY
1	Z94130	CAUTION - Read Manual	1
2	Z94131	WARNING - Flying Object Hazard	1
3	Z94132	IMPORTANT - Attach Lock Bracket	1
4	Z94133	Winch Control	1
5	Z94134	Operator Levers	1
6	Z94135	Wedge Height Control	1
7	Z94137	Winch - Free wheel or engaged	1
8	Z94138-1	Wallenstein WP820 Side	1
9	Z94138-2	Wallenstein WP820 Frame	1
10	Z94138-3	Wallenstein WP820 Small	1
11	Z94138-4	Wallenstein WP820 Ramp	1
12	Z94138-5	820 Auto Cycle	1
13	Z94019	Made in Canada	5
14	Z94040	WARNING - Wedge Hazaed	2
15	Z94005	WARNING - High Pressure Fluid	1



WP820 Decals

Z94130



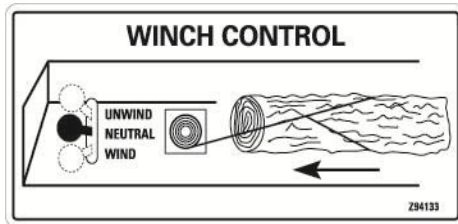
Z94131



Z94132



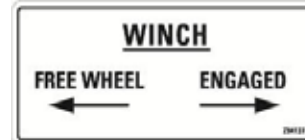
Z94133



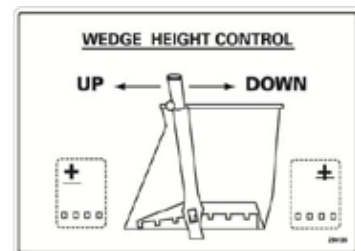
Z94019



Z94137



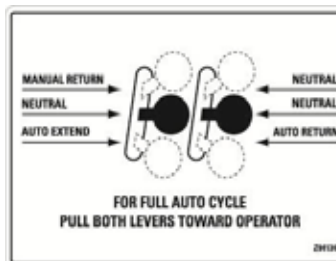
Z94135



Z94005



Z94134



Z94040



Z94138-3



Z94138-1



Z94138-5



Z94138-4



Z94138-2





WALLENSTEIN Products Manufactured by:

EMB MFG Inc.

4144 Boomer Line
St. Clements, Ontario
Canada N0B 2M0
Phone: 1-877-695-9283
Fax: 519-699-4146
www.embmfg.com