



WX950 Trailer Log Splitter Parts Manual

S/N 295019 to S/N 295030



Foreword

EMB Mfg. has prepared this parts manual to assist customers in ordering quality OEM replacement parts.

Proper and regular service and replacing old, worn or broken parts with the correct Wallenstein parts are essential to prolonging the life of your Wallenstein product. Please refer to this manual before ordering any replacement parts.

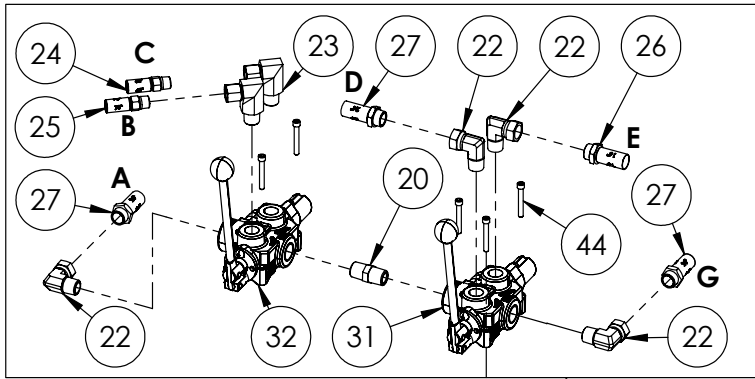
All information contained in this parts manual is based on the latest product specification available at the time of printing this manual. If your product differs from the specifications contained within this manual contact EMB Mfg. for information.

EMB reserves the right to alter specifications on their products at any time.

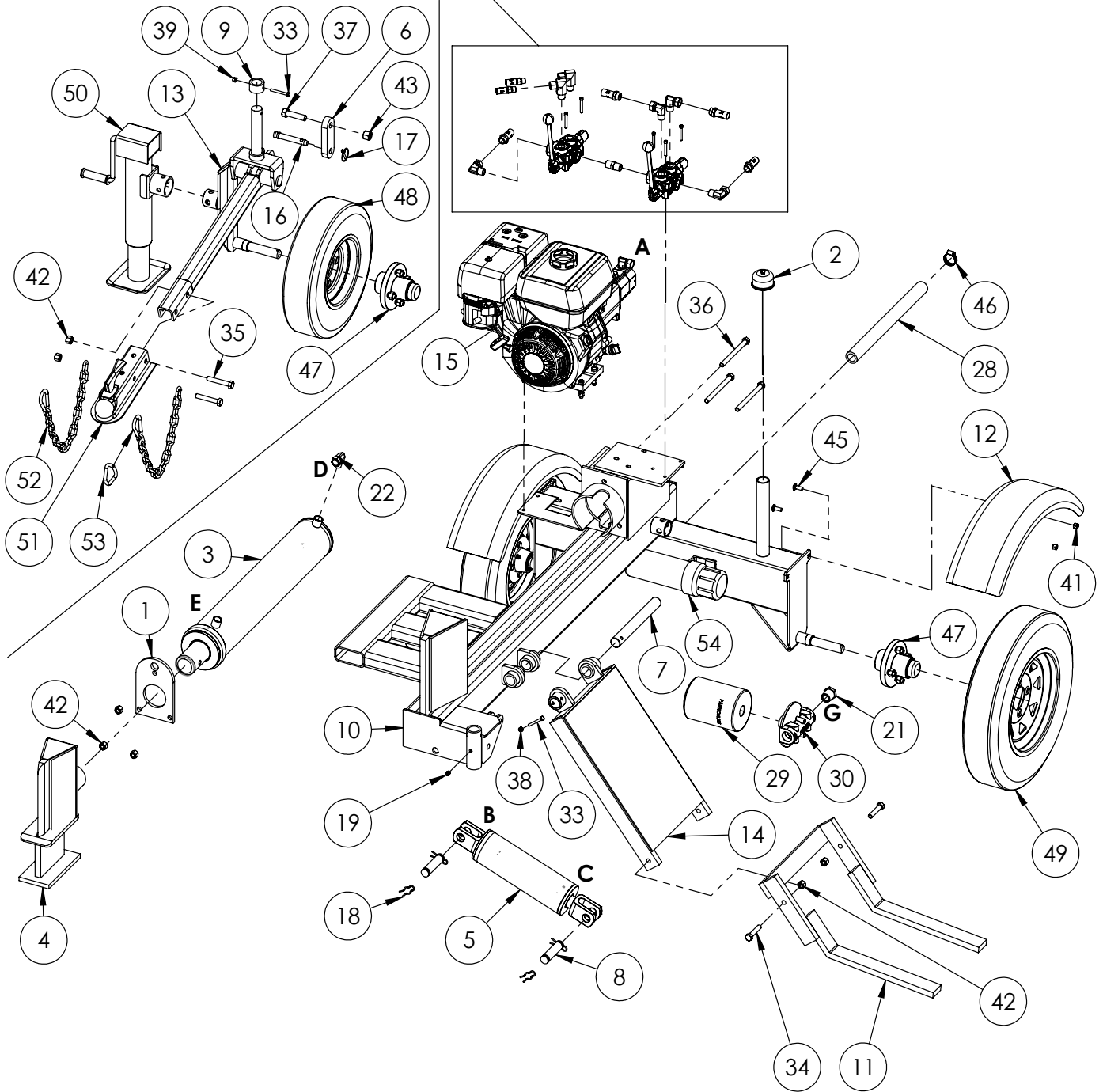
Reproduction of this parts manual of any kind is prohibited without prior written permission from EMB Mfg.

Table of Contents

| | |
|------------------------|----|
| Main Parts | 4 |
| Cylinder | 6 |
| Sliding Wedge | 7 |
| Valve | 8 |
| Hub | 10 |
| 4-Way Wedge (Optional) | 11 |
| Engine & Pump | 11 |
| Light Kit (Optional) | 12 |
| Decal Breakdown | 14 |

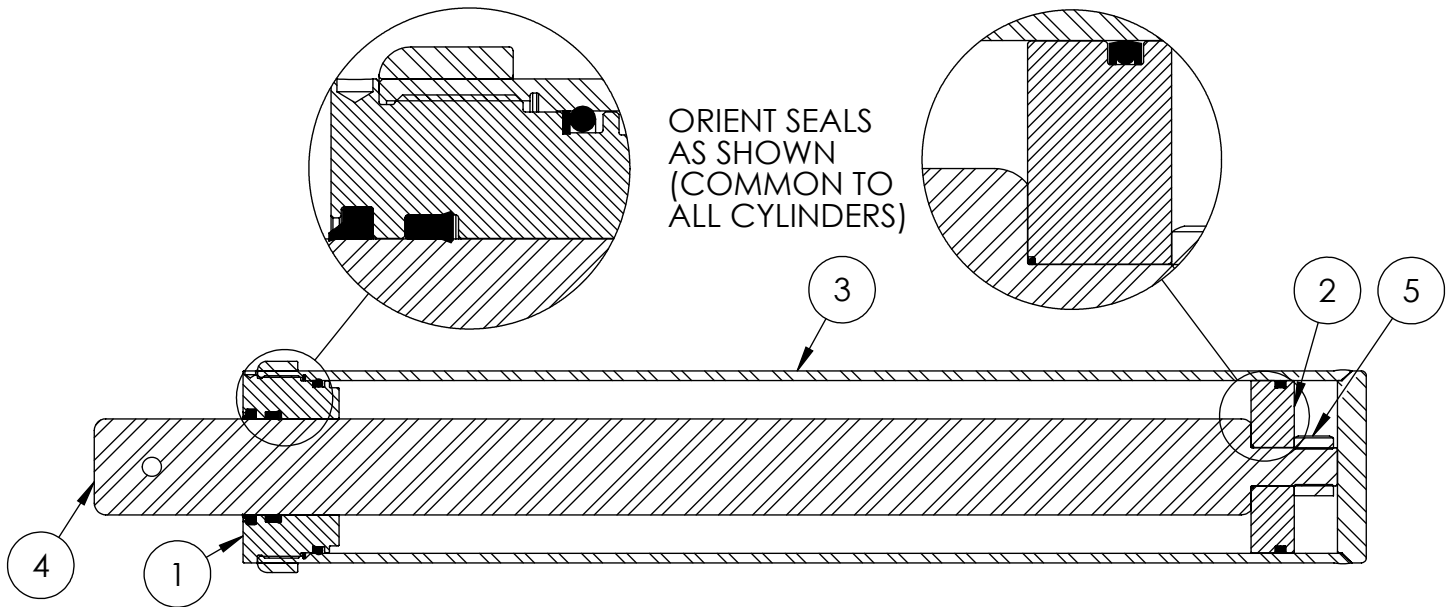


LETTERS DENOTE HOSE ROUTING CONNECTIONS



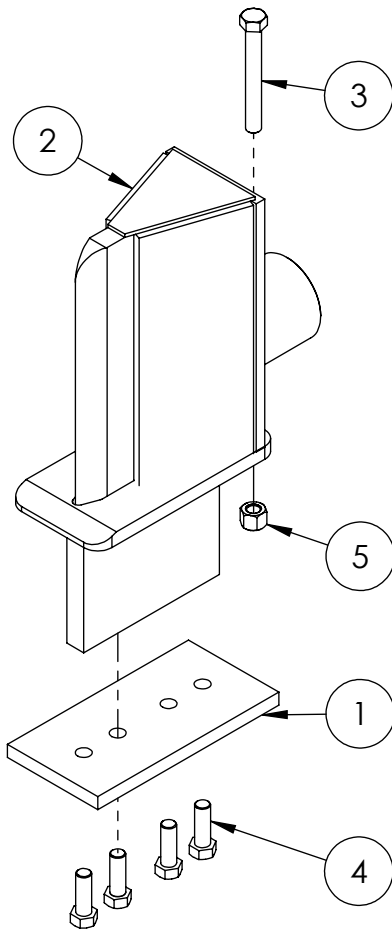
WX950 PARTS BREAKDOWN

| ITEM | PART NO. | DESCRIPTION | QTY |
|------|----------|---------------------------------|-----|
| 1 | 2032S213 | Plate, Cylinder Retaining | 1 |
| 2 | 2054A402 | Breather cap dipstick | 1 |
| 3 | 2055C501 | Cylinder, 4-1/2 x 24 x 2-1/2 | 1 |
| 4 | 2058A802 | Wedge, Large Sliding Assy | 1 |
| 5 | 2058C801 | Cylinder, 3-1/2 x 8 X 1-1/2 | 1 |
| 6 | 2058L809 | Lock Link | 1 |
| 7 | 2058M815 | Pin, Shelf Pivot | 1 |
| 8 | 2058M816 | Pin, Log Table Cylinder | 2 |
| 9 | 2058M819 | Bushing, Pivot with Hole | 1 |
| 10 | 2058W805 | Weldment, Main Trailer | 1 |
| 11 | 2058W810 | Weldment, Log Arm | 1 |
| 12 | 2058W811 | Weldment, Fender | 2 |
| 13 | 2058W812 | Weldment, Front Tire | 1 |
| 14 | 2058W813 | Weldment, Lift Shelf | 1 |
| 15 | 2061A103 | Assy, 9hp Engine to 16gpm Pump | 1 |
| 16 | Z11111 | Toplink Pin 5/8 x 2-3/4 | 1 |
| 17 | Z12110 | Latch Pin 3/16 | 1 |
| 18 | Z12271 | Securing Pin, 1/8 | 4 |
| 19 | Z29201 | Grease Fitting, 1/8NPT | 2 |
| 20 | Z51122 | Nipple, MP x MP 0808 | 1 |
| 21 | Z51223 | Reducer, MP x FP 1608 | 1 |
| 22 | Z51331 | Elbow 90 MP x FPX 0808 | 5 |
| 23 | Z51332 | Elbow 90 MP x FPX 0806 | 2 |
| 24 | Z52233 | 3/8 Hose, MP06 x MP06 x 63" | 1 |
| 25 | Z52234 | 3/8 Hose, MP06 x MP06 x 70" | 1 |
| 26 | Z52301 | 1/2 Hose MP08 x MP08 x 16" | 1 |
| 27 | Z52305 | 1/2 Hose, MP08 x MP08 x 24" | 3 |
| 28 | Z52404 | Suction Hose, 1" x 18" | 1 |
| 29 | Z55303 | Oil Filter - 1" - Particulate | 1 |
| 30 | Z55304 | Filter Cap, FP16 x FP16 | 1 |
| 31 | Z56209 | Valve, Single Function Detent | 1 |
| 32 | Z56211 | Valve, Single Function | 1 |
| 33 | Z71122 | Hex Bolt 1/4NC x 2-1/4 | 2 |
| 34 | Z71525 | Hex Bolt 1/2NC x 2-1/2 | 2 |
| 35 | Z71530 | Hex Bolt 1/2NC x 3 | 2 |
| 36 | Z71560 | Hex Bolt 1/2NC x 6 | 3 |
| 37 | Z71625 | Hex Bolt, 5/8NC x 2-1/2 | 1 |
| 38 | Z72111 | Hex Lock Nut 1/4NC | 1 |
| 39 | Z72111 | Hex Lock Nut 1/4NC | 7 |
| 40 | Z72221 | Hex Lock Nut 5/16NC | 1 |
| 41 | Z72231 | Hex Lock Nut 3/8NC | 4 |
| 42 | Z72251 | Hex Lock Nut 1/2NC | 7 |
| 43 | Z72261 | Hex Lock Nut 5/8NC | 1 |
| 44 | Z75114 | SHCS, 1/4NC x 1-3/4 | 6 |
| 45 | Z76231 | Carriage Bolt 3/8NC x 1 | 4 |
| 46 | Z79401 | Hose Clamp, #16 | 2 |
| 47 | Z91202 | Assembly, 1000# 4-Bolt Hub | 3 |
| 48 | Z91301 | 4.80-8 LRB SportTrail | 1 |
| 49 | Z91302 | 5.30-12 LRB SportTrail 4 Spoked | 2 |
| 50 | Z91512 | Side-Wind 10" Swivel Jack | 1 |
| 51 | Z91614 | 2" Hitch Coupler | 1 |
| 52 | Z92303 | Safety Chain 1/4 x 2' | 2 |
| 53 | Z92303-2 | Safety Snap | 2 |
| 54 | Z96503 | Manual Tube 3-1/2 Short | 1 |



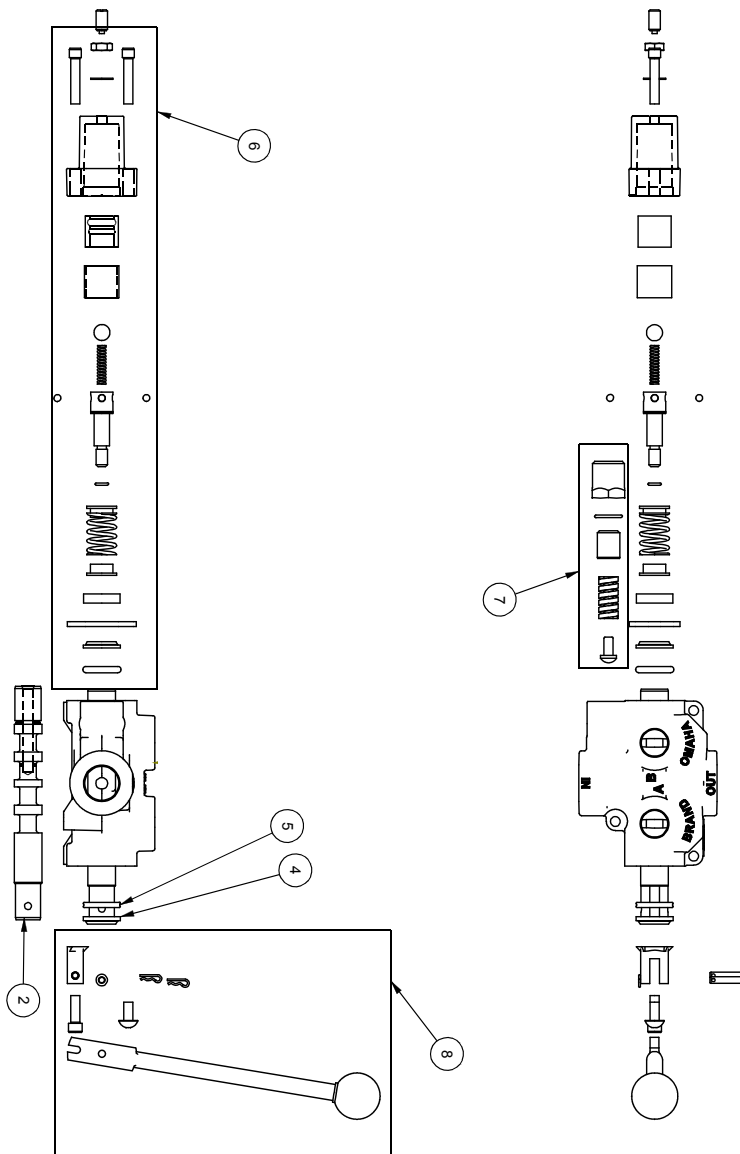
4-1/2" WOODSPLITTER CYLINDER PARTS BREAKDOWN

| ITEM | PART NO. | DESCRIPTION | QTY |
|------|------------|---|-----|
| 1 | G450-250SA | 4-1/2" Bore x 2-1/2" Rod Gland With Seals | 1 |
| 2 | P100-450SA | 4-1/2" Bore Piston With Seals | 1 |
| 3 | 2055C5014 | Barrel, 4-1/2" | 1 |
| 4 | 2055C5012 | Rod, 2-1/2x 1 | 1 |
| 5 | Z72292G8 | Hex Lock Nut 1NF Grade 8 | 1 |
| 6 | SLK-4525 | Seal Kit, 4-1/2 x 2-1/2 | 1 |



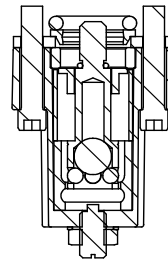
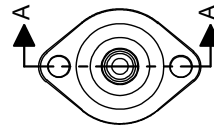
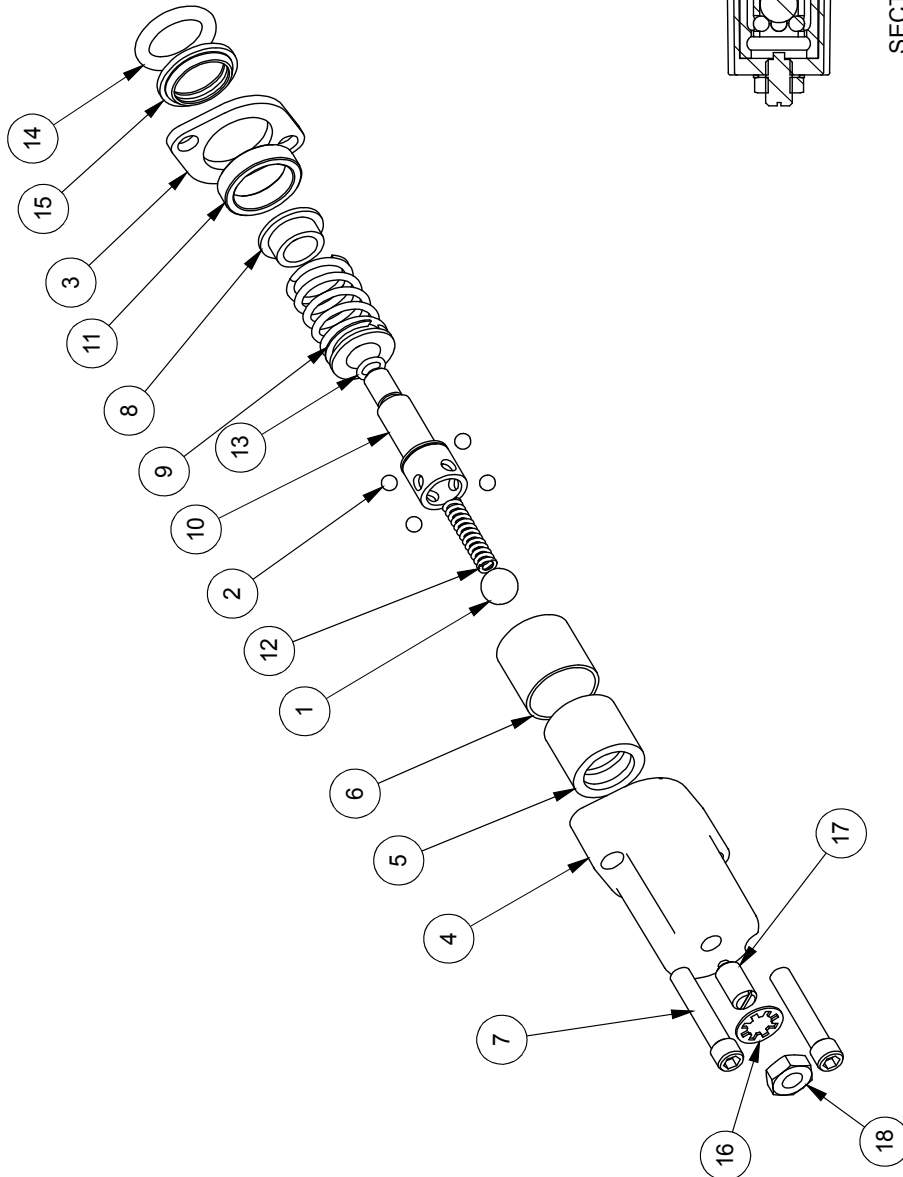
2058A802 SLIDING WEDGE PARTS BREAKDOWN

| ITEM | PART NO. | Description | QTY. |
|------|----------|------------------------------|------|
| 1 | 2014S414 | Plate, Sliding Wedge Capture | 1 |
| 2 | 2058W803 | Wedge, Large Sliding | 1 |
| 3 | Z71540 | Hex Bolt 1/2NC x 4 | 1 |
| 4 | Z71576 | Hex Bolt 1/2NF x 1-1/2 | 4 |
| 5 | Z72251 | Hex Lock Nut 1/2NC | 1 |

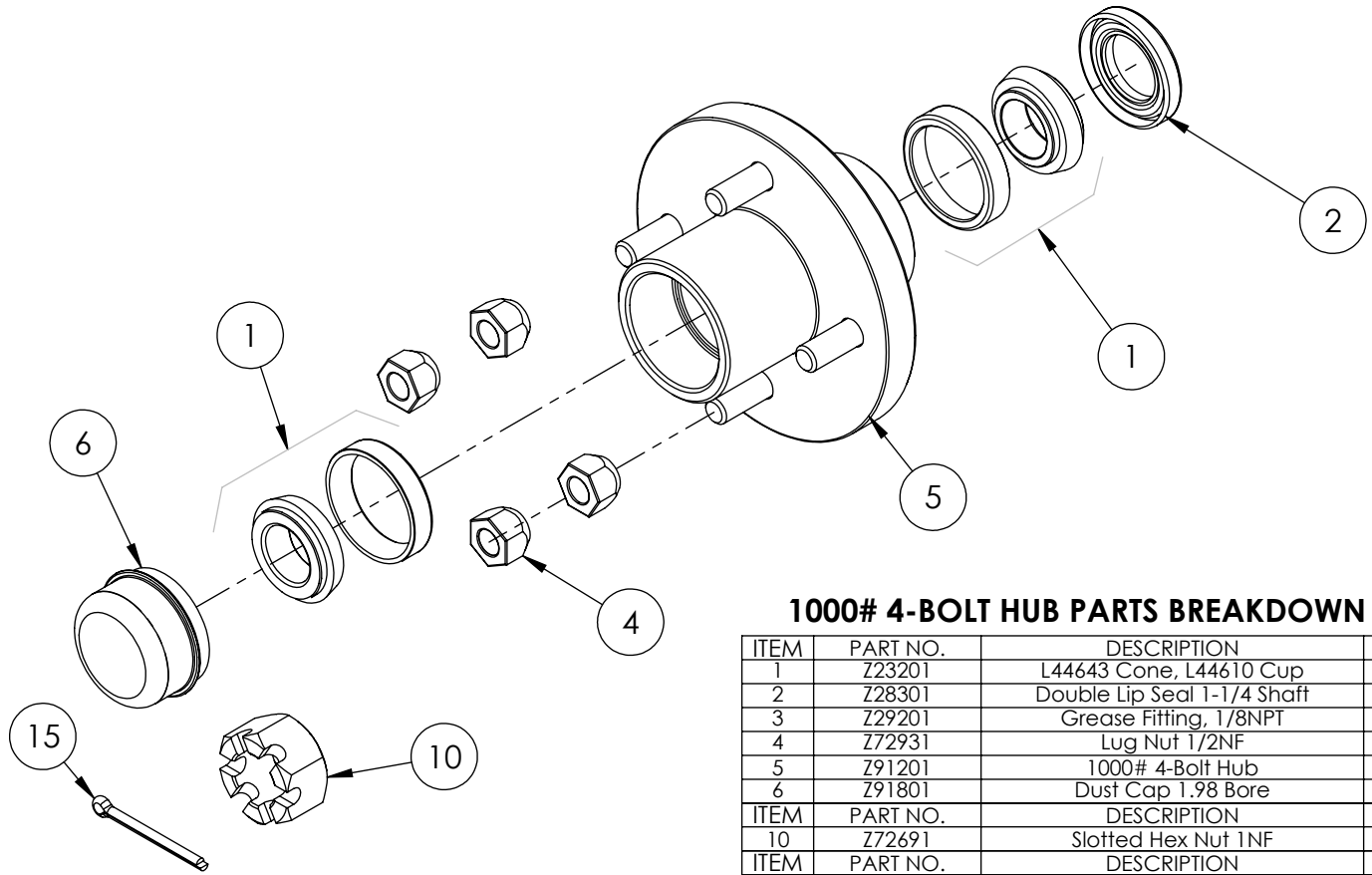


| ITEM NO. | QTY. | PART NO. | DESCRIPTION |
|----------|------|----------|--------------------|
| 1 | 1 | AOCAS1B | AO CASTING |
| 2 | 1 | LS3041AJ | SPOOL |
| 3 | 1 | P1740 | NAME TAG |
| 4 | 1 | SF305 | WIPER |
| 5 | 1 | SF304 | QUAD RING |
| 6 | 1 | SUB-LS | SUB-LS |
| | | B5057 | 7/16 BALL |
| | | DC7604 | 3/16 BALL |
| 1 | 1 | SF306 | RETAINER |
| 1 | 1 | SF477L | SH LS ENDCAP |
| 1 | 1 | XDC672 | LS SLEEVE |
| 1 | 1 | SF483 | SPACER |
| 2 | 2 | SF486 | ALLEN SCREW |
| 1 | 1 | SF489 | CENTER STOP |
| 1 | 1 | SF490 | CENTERING SPRING |
| 1 | 1 | SF492 | HOUSING |
| 1 | 1 | SF315 | SPACER |
| 1 | 1 | LS305 | DETENT SPRING |
| 1 | 1 | DC7583 | O-RING 3-902 |
| 1 | 1 | SF496 | O-RING BLUE METRIC |
| 1 | 1 | LS306 | LS WIPER |
| 1 | 1 | SF502 | 5/16 LOCK WASHER |
| 1 | 1 | SF503 | PLUNGER SPRING |
| 1 | 1 | SF504 | 5/16 HEX JAM NUT |
| 7 | 1 | SUB-R | RELIEF |
| 1 | 1 | P1603 | CAP NUT |
| 1 | 1 | SF322 | O-RING 2-016 |
| 1 | 1 | SF364A | ADJ. SCREW |
| | | B505 | SPRING |
| 1 | 1 | SF361A | POPPET |
| 1 | 1 | Z56915 | HANDLE KIT |
| 8 | 1 | SF377 | RETAINER |
| 1 | 1 | SF376 | SEAL RETAINER |
| 1 | 1 | SF367A | CLEVIS |
| 1 | 1 | SF368 | HANDLE |
| 2 | 2 | SF369 | PIN |
| 1 | 1 | P1767 | PIN CLIP |
| 1 | 1 | HR5 | MACH. SCREW |
| 1 | 1 | SF311 | KNOB |
| 1 | 1 | SF308 | CAP SCREW |
| 1 | 1 | SF3037AJ | SPOOL |
| 9 | 1 | P1654 | WARNING TAG |

| ITEM NO. | QTY. | PART NO. | DESCRIPTION |
|----------|------|----------|------------------|
| 1 | 1 | B5057 | 7/16 BALL |
| 2 | 4 | DC7604 | 3/16 BALL |
| 3 | 1 | SF306 | RETAINER |
| 4 | 1 | SF477L | SH LS ENDCAP |
| 5 | 1 | SF480 | SD SLEEVE |
| 6 | 1 | SF483 | SPACER |
| 7 | 2 | SF486 | ALLEN SCREW |
| 8 | 2 | SF489 | CENTER STOP |
| 9 | 1 | SF490 | CENTERING SPRING |
| 10 | 1 | SF492 | HOUSING |
| 11 | 1 | SF315 | SPACER |
| 12 | 1 | LS305 | DETENT SPRING |
| 13 | 1 | DC7583 | O-RING 3-902 |
| 14 | 1 | SF496 | METRIC O-RING |
| 15 | 1 | LS306 | LS WIPER |
| 16 | 1 | SF502 | 5/16 LOCK WASHER |
| 17 | 1 | SF503 | SPRING PLUNGER |
| 18 | 1 | SF504 | 5/16 HEX JAM NUT |



SECTION A-A

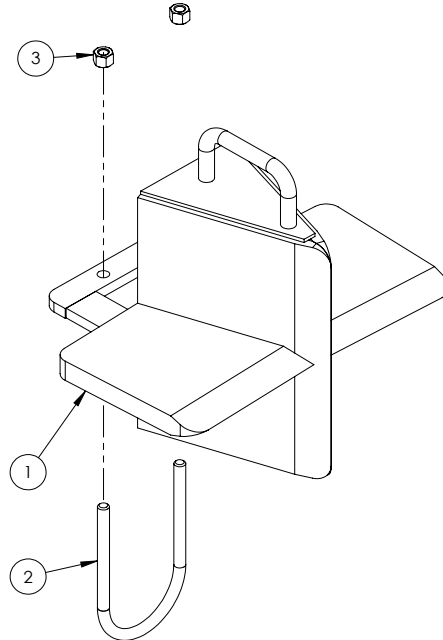
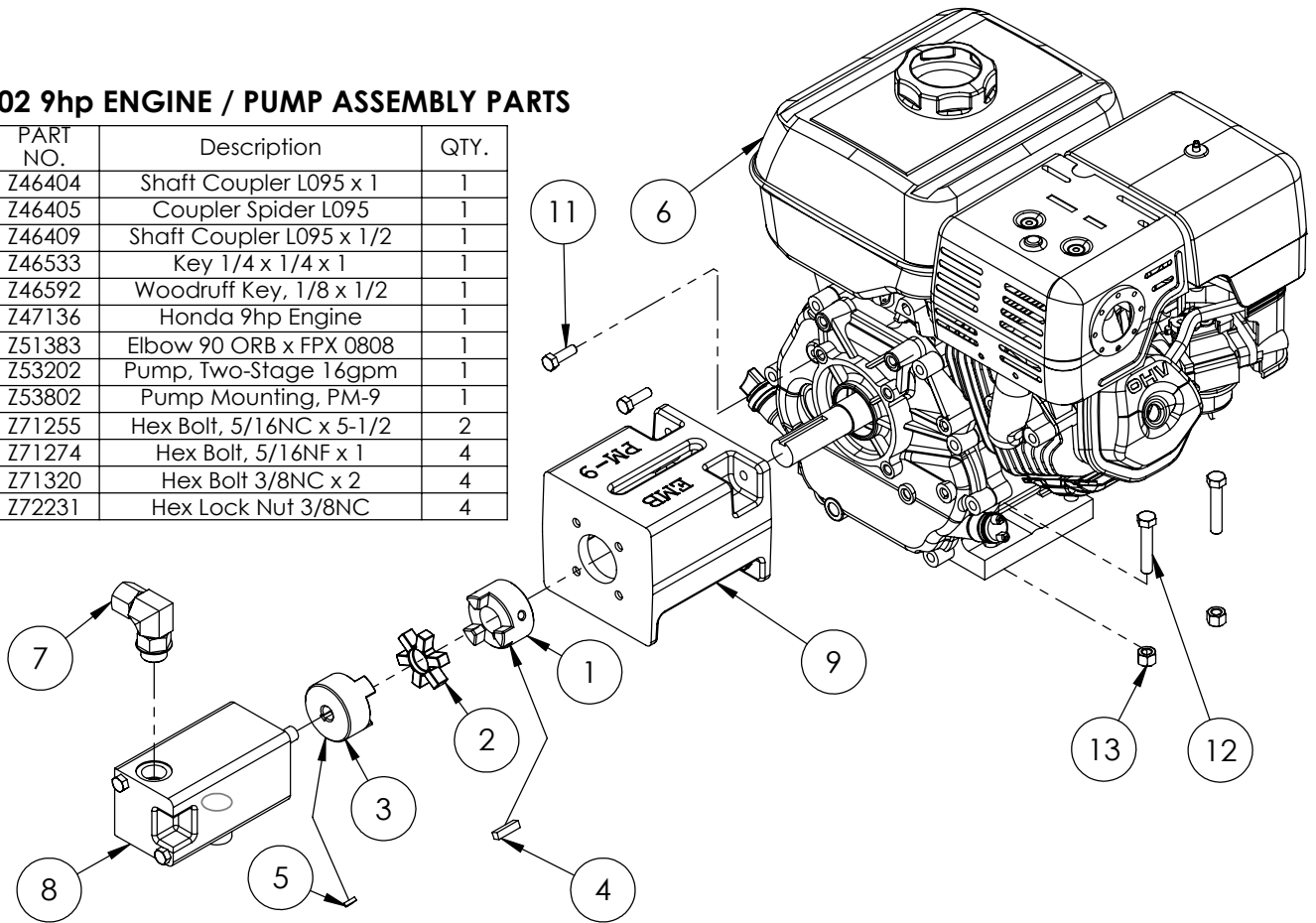


1000# 4-BOLT HUB PARTS BREAKDOWN

| ITEM | PART NO. | DESCRIPTION | QTY |
|------|----------|-----------------------------|-----|
| 1 | Z23201 | L44643 Cone, L44610 Cup | 2 |
| 2 | Z28301 | Double Lip Seal 1-1/4 Shaft | 1 |
| 3 | Z29201 | Grease Fitting, 1/8NPT | 1 |
| 4 | Z72931 | Lug Nut 1/2NF | 4 |
| 5 | Z91201 | 1000# 4-Bolt Hub | 1 |
| 6 | Z91801 | Dust Cap 1.98 Bore | 1 |
| ITEM | PART NO. | DESCRIPTION | QTY |
| 10 | Z72691 | Slotted Hex Nut 1NF | 1 |
| ITEM | PART NO. | DESCRIPTION | QTY |
| 15 | Z12322 | Cotter Pin 3/16 X 2 | 1 |

2061A102 9hp ENGINE / PUMP ASSEMBLY PARTS

| ITEM | PART NO. | Description | QTY. |
|------|----------|--------------------------|------|
| 1 | Z46404 | Shaft Coupler L095 x 1 | 1 |
| 2 | Z46405 | Coupler Spider L095 | 1 |
| 3 | Z46409 | Shaft Coupler L095 x 1/2 | 1 |
| 4 | Z46533 | Key 1/4 x 1/4 x 1 | 1 |
| 5 | Z46592 | Woodruff Key, 1/8 x 1/2 | 1 |
| 6 | Z47136 | Honda 9hp Engine | 1 |
| 7 | Z51383 | Elbow 90 ORB x FPX 0808 | 1 |
| 8 | Z53202 | Pump, Two-Stage 16gpm | 1 |
| 9 | Z53802 | Pump Mounting, PM-9 | 1 |
| 10 | Z71255 | Hex Bolt, 5/16NC x 5-1/2 | 2 |
| 11 | Z71274 | Hex Bolt, 5/16NF x 1 | 4 |
| 12 | Z71320 | Hex Bolt 3/8NC x 2 | 4 |
| 13 | Z72231 | Hex Lock Nut 3/8NC | 4 |



W4130 4-Way Wedge (Optional)

| ITEM | PART NO. | DESCRIPTION | QTY |
|------|----------|----------------------|-----|
| 1 | 2082W301 | Weldment, Main 4-Way | 1 |
| 2 | 2082S307 | U-Bolt, 3 x 4 | 1 |
| 3 | Z72231 | Hex Lock Nut 3/8NC | 2 |

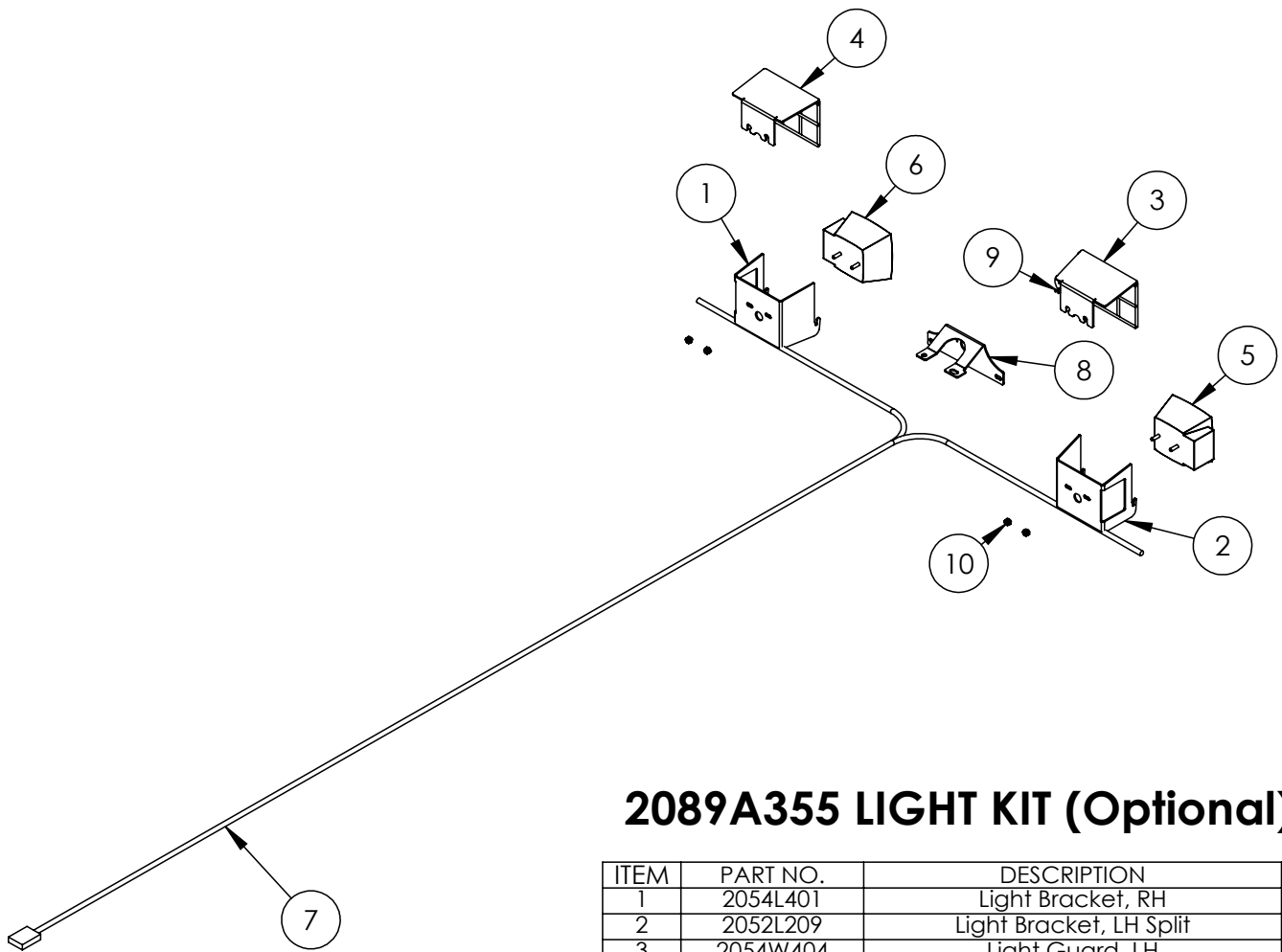
WX TRAILER SPLITTER WIRING

RIGHT SIDE

| KEY | |
|-----|--------|
| Bl | BLUE |
| Br | BROWN |
| Gr | GREEN |
| Rd | RED |
| Yl | YELLOW |
| Bk | BLACK |
| Wh | WHITE |



LEFT SIDE

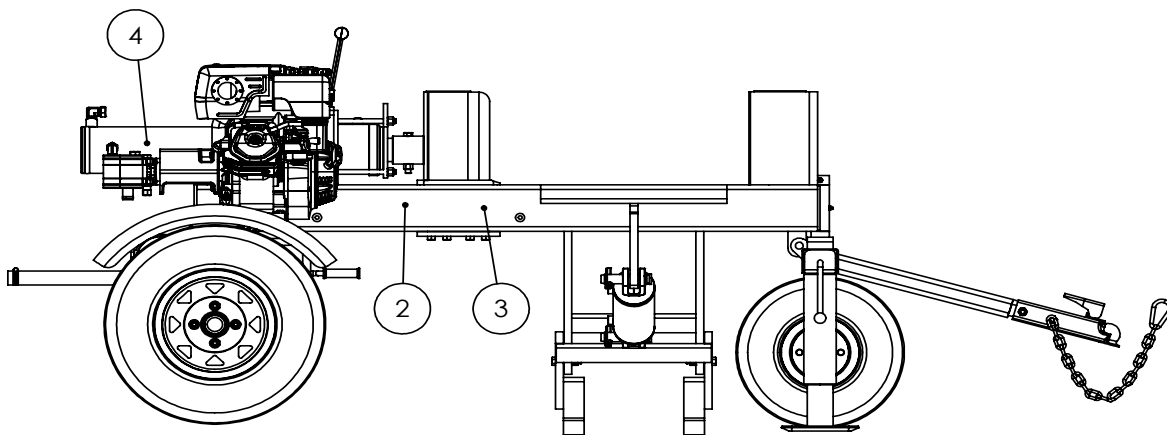
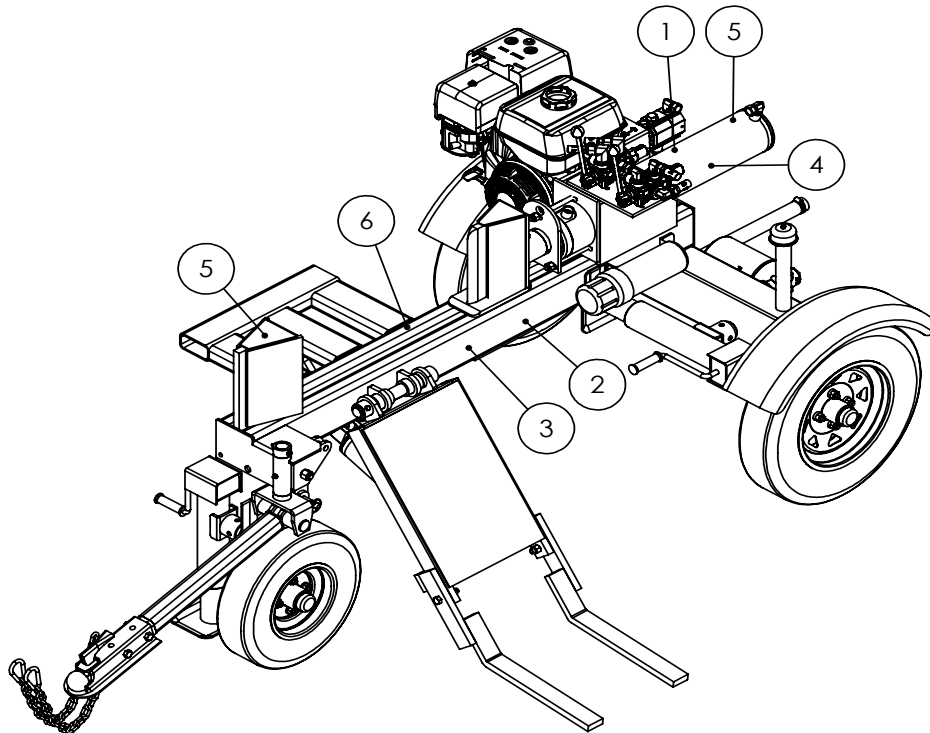


2089A355 LIGHT KIT (Optional)

| ITEM | PART NO. | DESCRIPTION | QTY |
|------|----------|------------------------------|-----|
| 1 | 2054L401 | Light Bracket, RH | 1 |
| 2 | 2052L209 | Light Bracket, LH Split | 1 |
| 3 | 2054W404 | Light Guard, LH | 1 |
| 4 | 2054W403 | Light Guard, RH | 1 |
| 5 | Z61106 | Stop, Turn, Tail Light LH | 1 |
| 6 | Z61107 | Stop, Turn, Tail Light RH | 1 |
| 7 | Z62102 | 10' Wishbone Trailer Harness | 1 |
| 8 | 2052L210 | License Bracket | 1 |
| 9 | Z61301 | License Lamp | 1 |
| 10 | Z72941 | Serrated Washer Nut 1/4NC | 4 |

HORIZONTAL LOG SPLITTER DECAL BREAKDOWN

| ITEM | PART NO. | DESCRIPTION | QTY |
|------|----------|------------------------|-----|
| 1 | Z94039 | CAUTION - Read Manual | 1 |
| 2 | Z94040 | WARNING - Moving Wedge | 2 |
| 3 | Z94067 | Clear Guide | 2 |
| 4 | Z94056 | Wallenstein | 2 |
| 5 | Z94019 | Made in Canada | 2 |
| 6 | Z94066 | Apply Oil or Grease | 1 |



Trailer Splitter Decals

Z94056



Z94067



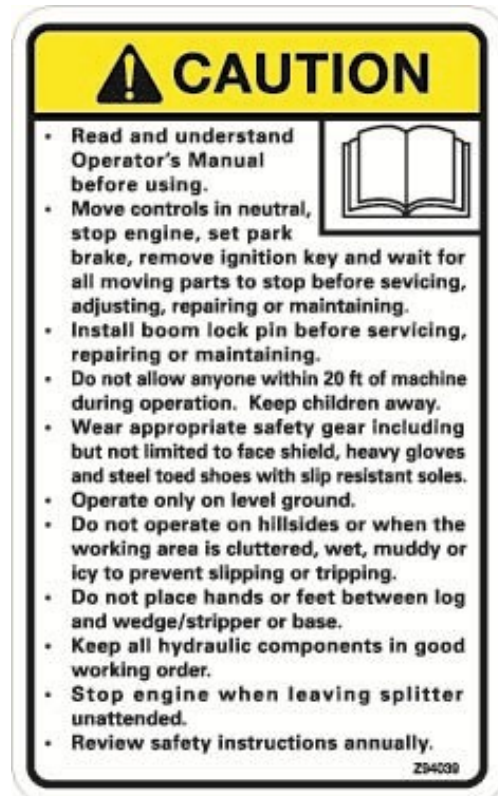
Z94019



Z94066



Z94039



Z94040





WALLENSTEIN Products Manufactured by:

EMB MFG Inc.

4144 Boomer Line
St. Clements, Ontario
Canada N0B 2M0
Phone: 1-877-695-9283
Fax: 519-699-4146
www.embmfg.com