



BXMT4224 Chipper-Shredder
Parts Manual
Prior to S/N 2E9US1118AS050024



Foreword

EMB Mfg. has prepared this parts manual to assist customers in ordering quality OEM replacement parts.

Proper and regular service and replacing old, worn or broken parts with the correct Wallenstein parts are essential to prolonging the life of your Wallenstein product. Please refer to this manual before ordering any replacement parts.

All information contained in this parts manual is based on the latest product specification available at the time of printing this manual. If your product differs from the specifications contained within this manual contact EMB Mfg. for information.

EMB reserves the right to alter specifications on their products at any time.

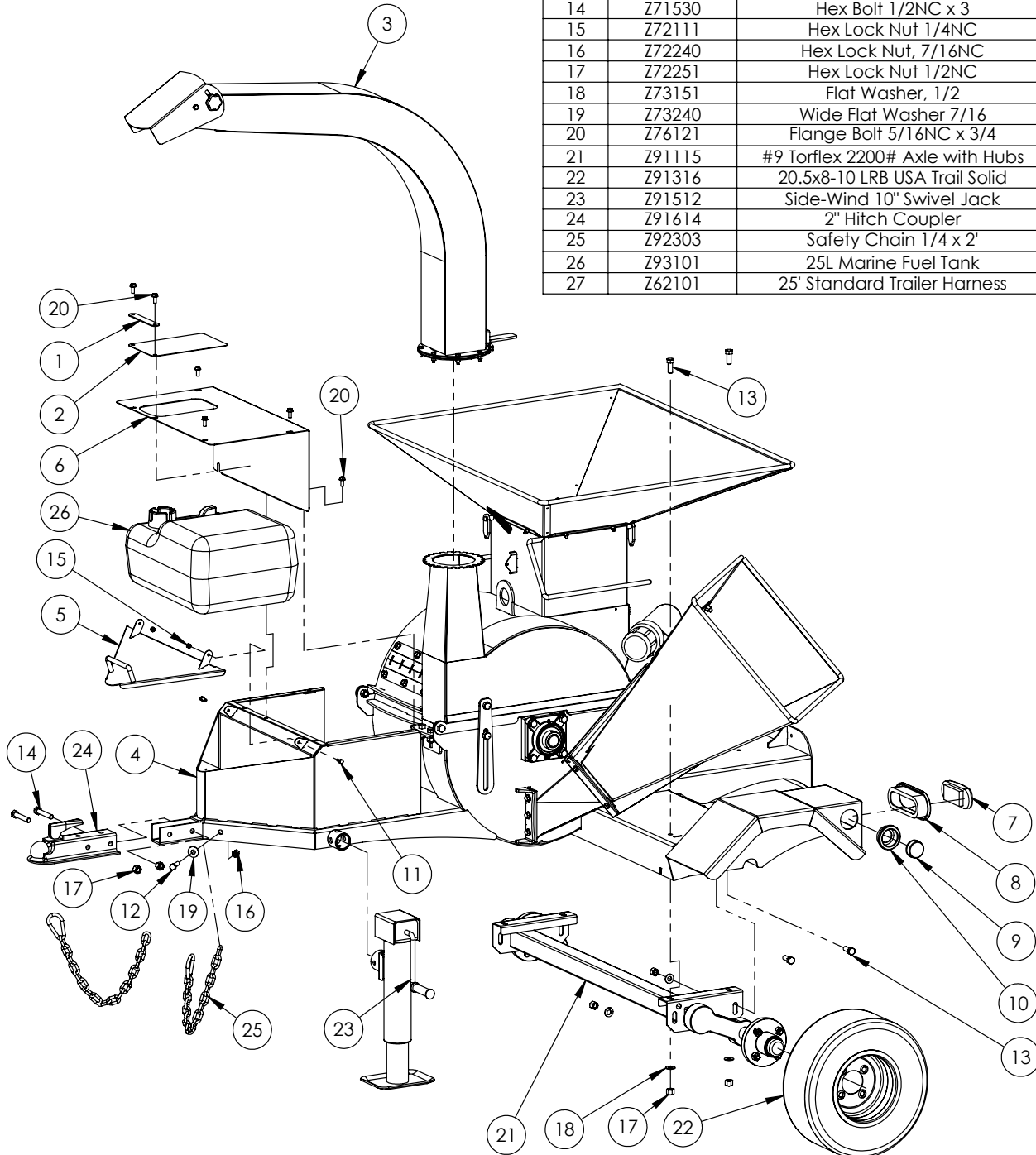
Reproduction of this parts manual of any kind is prohibited without prior written permission from EMB Mfg.

Table of Contents

Main Parts	4
Rotor Housing	5
Driveline	6
Hub	7
Discharge Chute	7
Rotor	8
Wiring Diagram	9
Decals	10

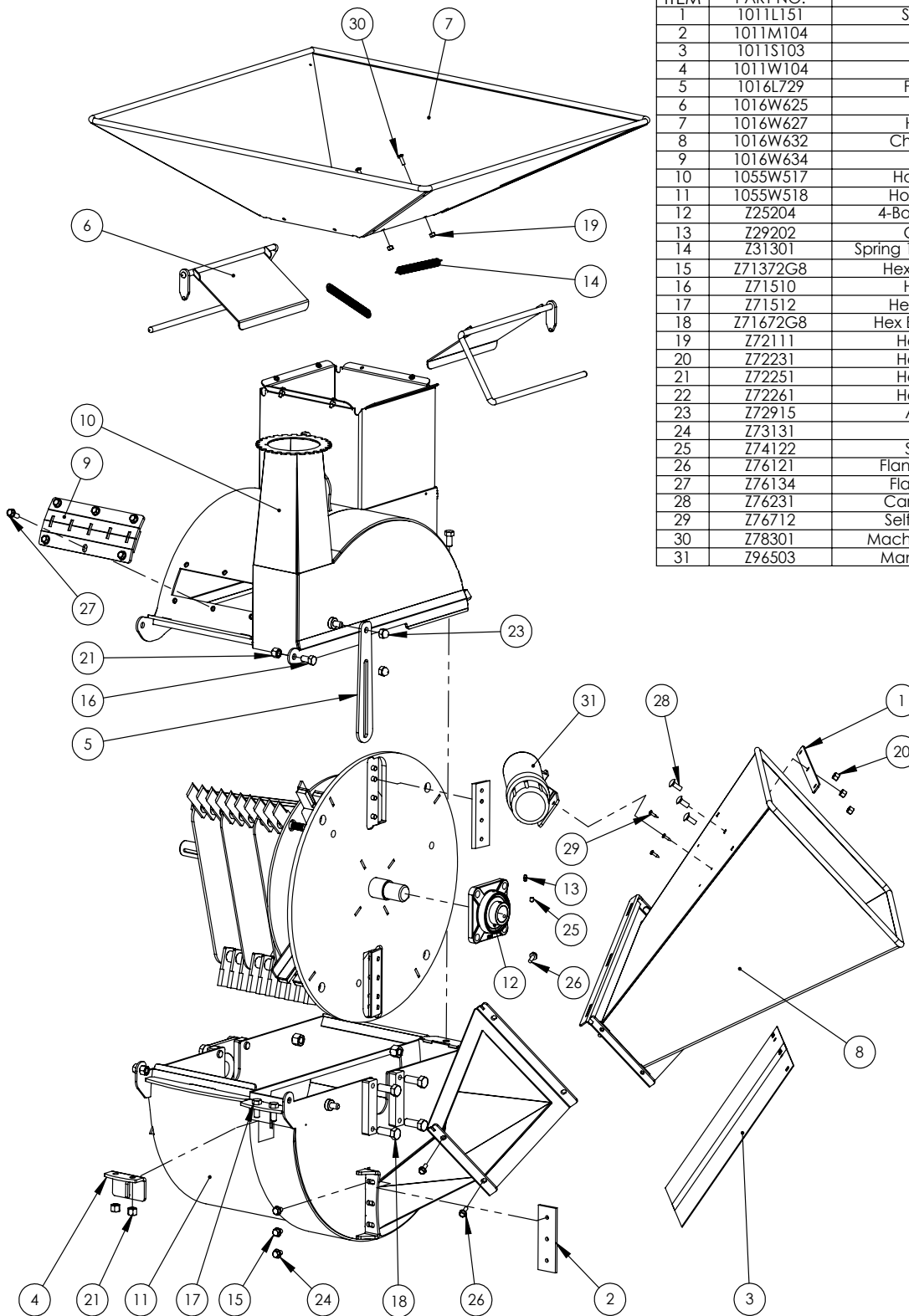
BXMT42 MAIN PARTS BREAKDOWN

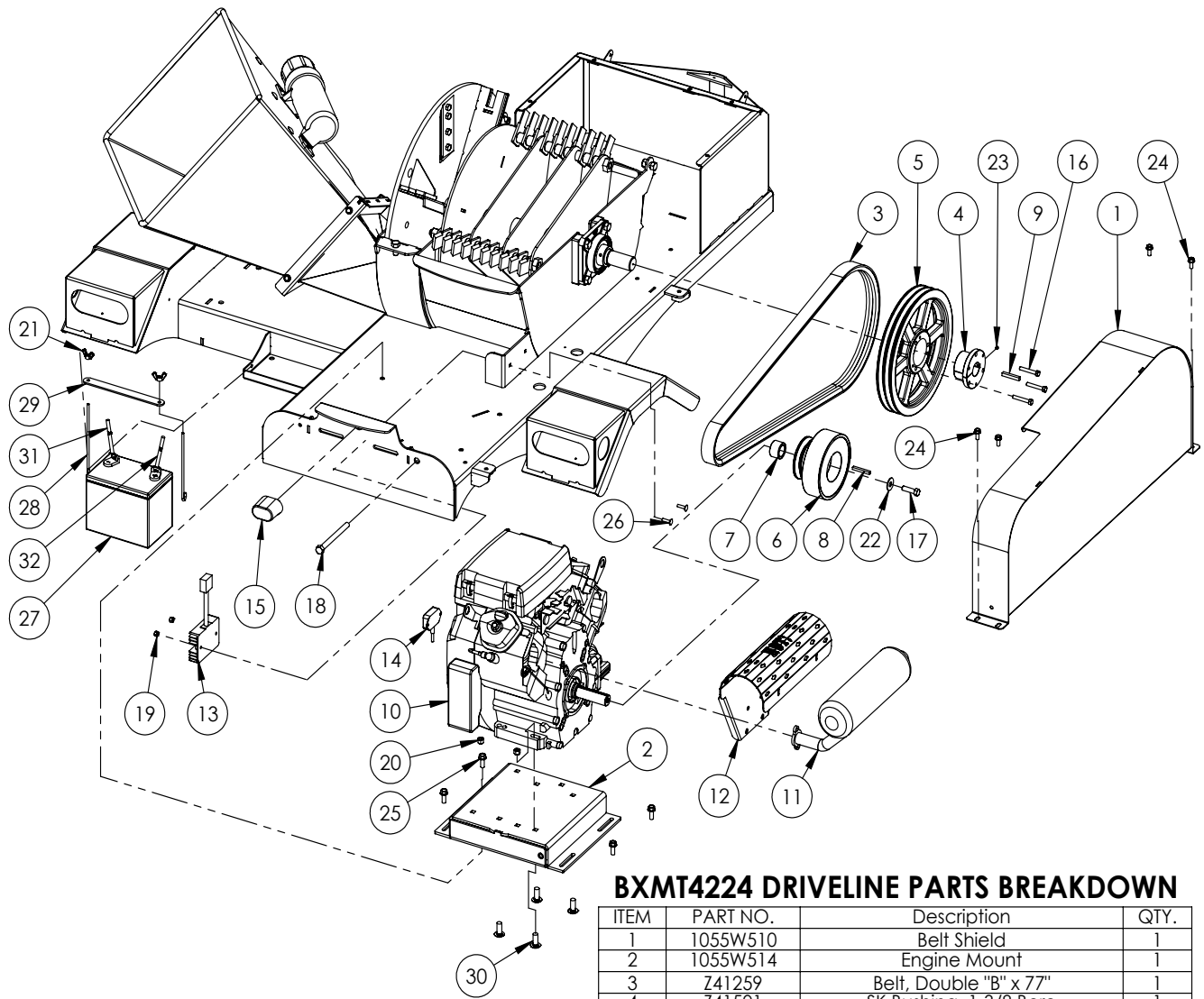
ITEM	PART NO.	Description	QTY.
1	1052L124	Gas Flap Strap	1
2	1052S103	Flap, Fuel Tank	1
3	1055A501	Assembly, Discharge Chute	1
4	1055W503	Main Frame	1
5	1055W515	Tool Box Lid	1
6	1055W516	Fuel Bay Cover	1
7	Z61102	Oval Light 2-1/4 x 6-1/4, Red	2
8	Z61103	Oval Grommet 2-1/2 x 6.76	2
9	Z61201	Round Marker Lamp 2" Red	2
10	Z61202	Round Grommet 2" Lamp	2
11	Z71107	Hex Bolt 1/4NC x 3/4	2
12	Z71415	Hex Bolt 7/16NC x 1-1/2	2
13	Z71512	Hex Bolt 1/2NC x 1-1/4	8
14	Z71530	Hex Bolt 1/2NC x 3	2
15	Z72111	Hex Lock Nut 1/4NC	2
16	Z72240	Hex Lock Nut, 7/16NC	2
17	Z72251	Hex Lock Nut 1/2NC	10
18	Z73151	Flat Washer, 1/2	8
19	Z73240	Wide Flat Washer 7/16	2
20	Z76121	Flange Bolt 5/16NC x 3/4	7
21	Z91115	#9 Torflex 2200# Axle with Hubs	1
22	Z91316	20.5x8-10 LRB USA Trail Solid	2
23	Z91512	Side-Wind 10" Swivel Jack	1
24	Z91614	2" Hitch Coupler	1
25	Z92303	Safety Chain 1/4 x 2'	2
26	Z93101	25L Marine Fuel Tank	1
27	Z62101	25' Standard Trailer Harness	1



BXMT4224 ROTOR HOUSING PARTS BREAKDOWN

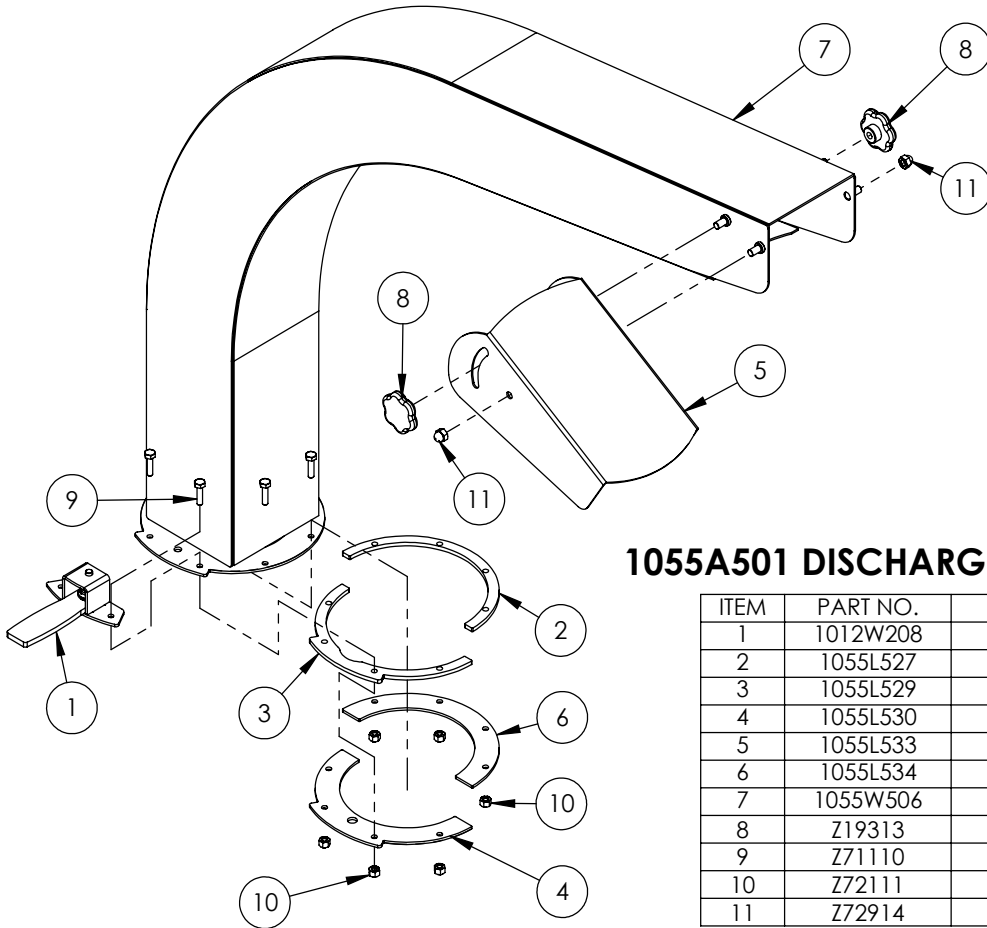
ITEM	PART NO.	DESCRIPTION	QTY
1	1011L151	Strap, Hopper Flap	1
2	1011M104	Knife, 4" Ledger	1
3	1011S103	Flap, Hopper	2
4	1011W104	Twig Breaker	1
5	1016L729	Positive Stop Plate	1
6	1016W625	Flapper	2
7	1016W627	Hopper, Shredder	1
8	1016W632	Chipper Feed Hopper	1
9	1016W634	Chop Block	1
10	1055W517	Housing, Upper Rotor	1
11	1055W518	Housing, Bottom Rotor	1
12	Z25204	4-Bolt Bearing 1-1/2" Bore	2
13	Z29202	Grease Zerk 1/4NF	2
14	Z31301	Spring 17mm x 140mm Medium	2
15	Z71372G8	Hex Bolt, 3/8NF x 5/8 G8	3
16	Z71510	Hex Bolt 1/2NC x 1	3
17	Z71512	Hex Bolt 1/2NC x 1-1/4	2
18	Z71672G8	Hex Bolt, 5/8NF x 1-3/4 Gr8	8
19	Z72111	Hex Lock Nut 1/4NC	7
20	Z72231	Hex Lock Nut 3/8NC	3
21	Z72251	Hex Lock Nut 1/2NC	4
22	Z72261	Hex Lock Nut 5/8NC	2
23	Z72915	Acorn Nut, 1/2NC	2
24	Z73131	Washer, 3/8	3
25	Z74122	Set Screw, 5/16NF	4
26	Z76121	Flange Bolt 5/16NC x 3/4	4
27	Z76134	Flange Bolt, 3/8NC x 1	6
28	Z76231	Carriage Bolt 3/8NC x 1	3
29	Z76712	Self-tapping Screw #10	3
30	Z78301	Machine Screw 1/4NC x 3/4	7
31	Z96503	Manual Tube 3-1/2 Short	1





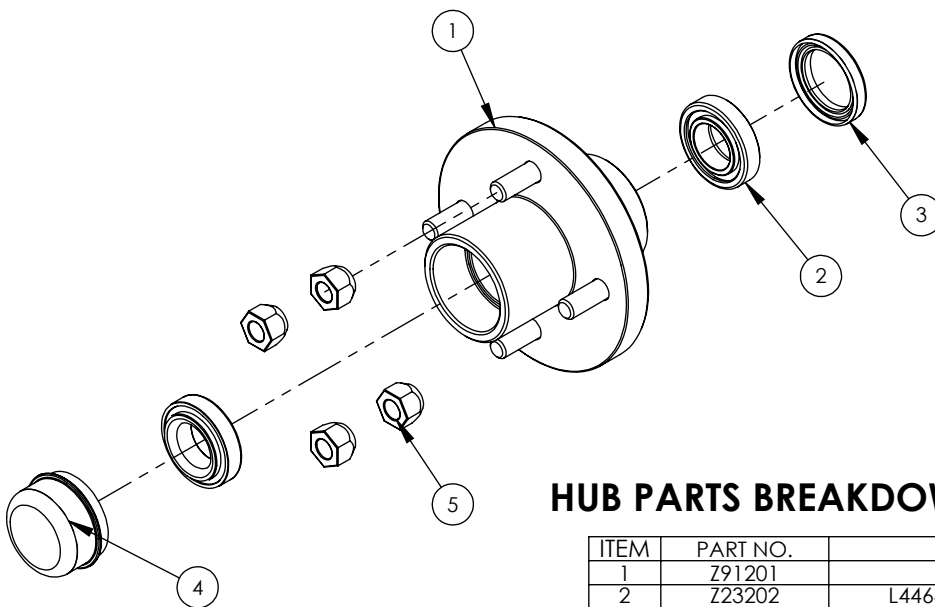
BXMT4224 DRIVELINE PARTS BREAKDOWN

ITEM	PART NO.	Description	QTY.
1	1055W510	Belt Shield	1
2	1055W514	Engine Mount	1
3	Z41259	Belt, Double "B" x 77"	1
4	Z41501	SK Bushing, 1-3/8 Bore	1
5	Z41702	Double "B" Sheave, 12.75" Pitch	1
6	Z41902	Clutch 1-1/8 Bore x Dbl"B" 3.9P	1
7	Z46353	Spacer 1-1/8ID x 1.065	1
8	Z46531	Key 1/4 x 1/4 x 2	1
9	Z46541	Key 5/16 x 5/16 x 2	1
10*	Z47162*	Honda 24hp Engine	1
	Z47165*	Muffler, 24hp	1
11*	Z47166*	Muffler Guard, Honda 24hp	1
12*	Z47166*	Muffler Guard, Honda 24hp	1
13	Z47901	Regulator Rectifier	1
14	Z47902	HONDA Hour Meter / Tach	1
15	Z61301	License Lamp	1
16	Z71220	Hex Bolt 5/16NC x 2	3
17	Z71472	Hex Bolt 7/16NF x 1-1/2	1
18	Z71555	Hex Bolt 1/2NC x 5-1/2	1
19	Z72111	Hex Lock Nut 1/4NC	2
20	Z72231	Hex Lock Nut 3/8NC	4
21	Z72921	Wing Nut 1/4NF	2
22	Z73240	Wide Flat Washer 7/16	1
23	Z74110	Set Screw 1/4NC	1
24	Z76121	Flange Bolt 5/16NC x 3/4	4
25	Z76134	Flange Bolt, 3/8NC x 1	4
26	Z76212	Carriage Bolt, 1/4NC x 1	2
27	Z93201	250 CCA Battery	1
28	Z93202	J-Hook 1/4 x 7	2
29	Z93207	Hold-Down Strap, 1 x 8-1/2	1
30	Z76259	Carriage Bolt 1/2NC x 1-1/4	4
31	Z93213	Battery Cable, Neg 36"	1
32	Z93214	Battery Cable, Pos 36"	1



1055A501 DISCHARGE CHUTE PARTS BREAKDOWN

ITEM	PART NO.	Description	QTY.
1	1012W208	Assembly, Hood Latch	1
2	1055L527	Plate, Spacer Ring	1
3	1055L529	Plate, Spacer Ring	1
4	1055L530	Plate, Hood Capture	1
5	1055L533	Deflector, Discharge Chute	1
6	1055L534	Plate, Hood Capture	1
7	1055W506	Discharge Chute	1
8	Z19313	Knob, 5/16NC Female Stud	2
9	Z71110	Hex Bolt 1/4NC x 1	8
10	Z72111	Hex Lock Nut 1/4NC	8
11	Z72914	Acorn Nut, 5/16NC	2

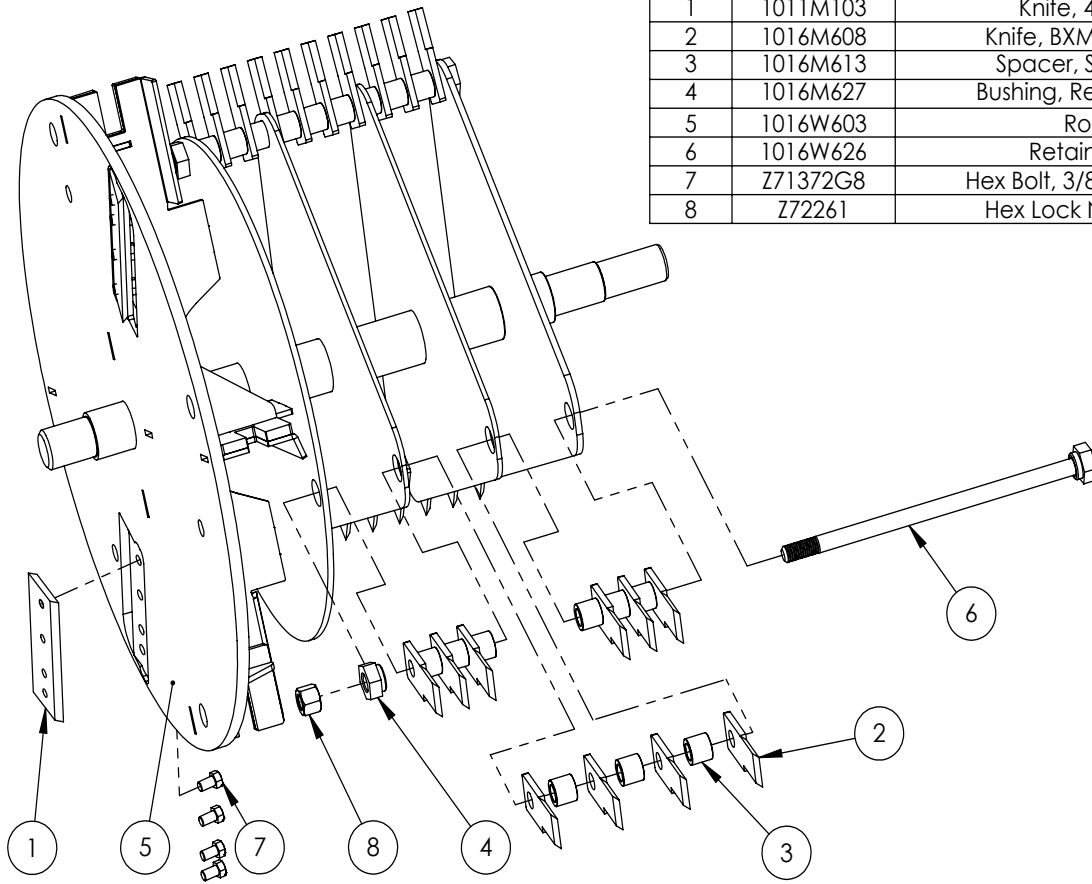


HUB PARTS BREAKDOWN (1-1/16" SPINDLE)

ITEM	PART NO.	DESCRIPTION	QTY
1	Z91201	1000# 4-Bolt Hub	1
2	Z23202	L44649 Cone, L44610 Cup	2
3	Z28302	Double Lip Seal 1-1/16 Spindle	1
4	Z91801	Dust Cap 1.98 Bore	1
5	Z72931	Lug Nut 1/2NF	4

BXM42 ROTOR PARTS BREAKDOWN

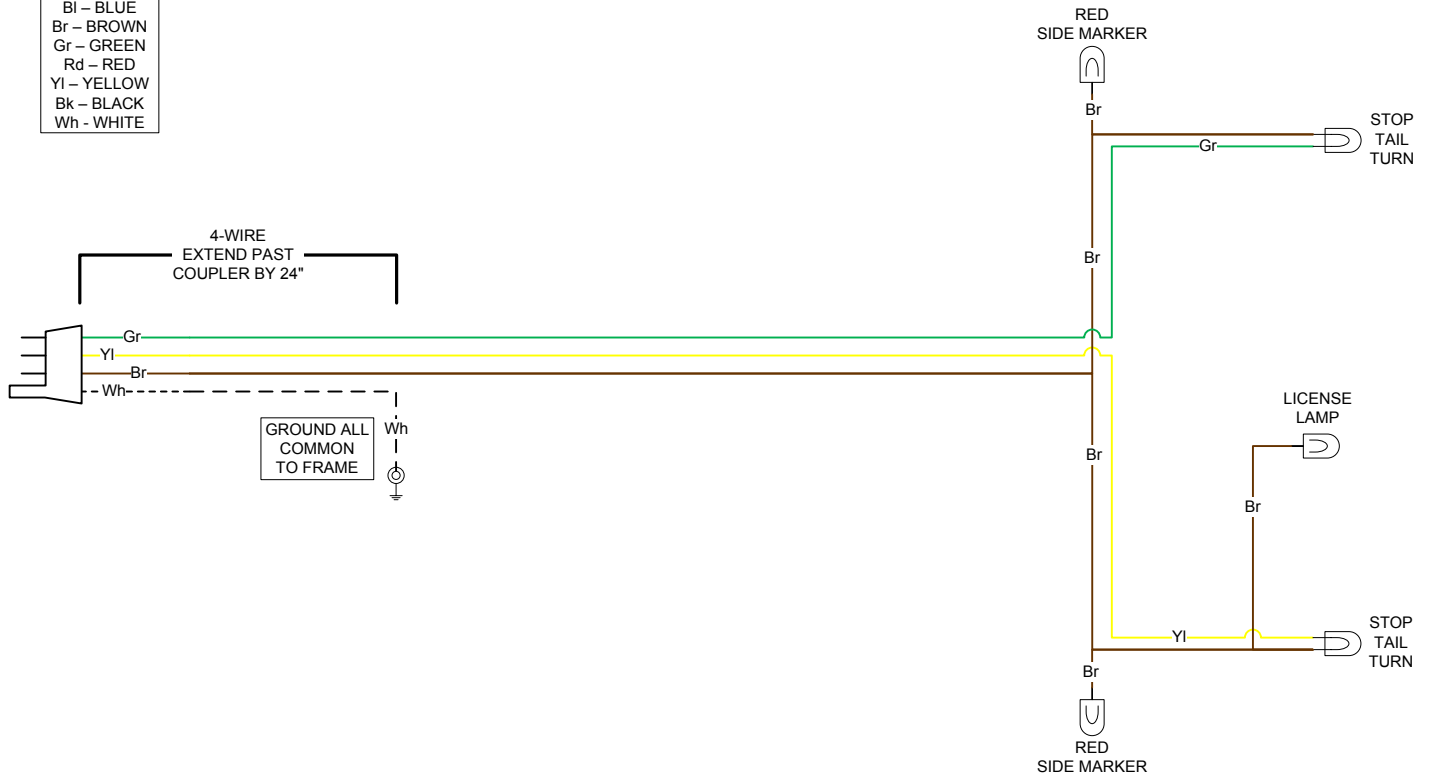
ITEM	PART NO.	Description	QTY.
1	1011M103	Knife, 4" Rotor	2
2	1016M608	Knife, BXM Shredder	30
3	1016M613	Spacer, Shredder	27
4	1016M627	Bushing, Retainer Rod	3
5	1016W603	Rotor	1
6	1016W626	Retainer Pin	3
7	Z71372G8	Hex Bolt, 3/8NF x 5/8 G8	8
8	Z72261	Hex Lock Nut 5/8NC	3



BXMT42 WIRING

RIGHT SIDE

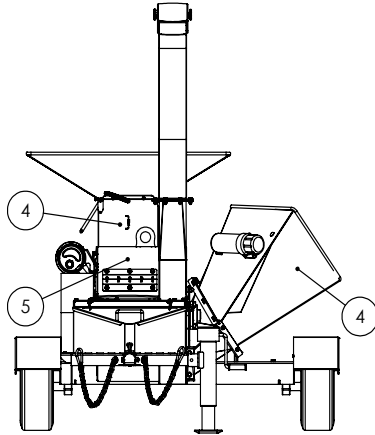
KEY	
Bl	- BLUE
Br	- BROWN
Gr	- GREEN
Rd	- RED
Yl	- YELLOW
Bk	- BLACK
Wh	- WHITE



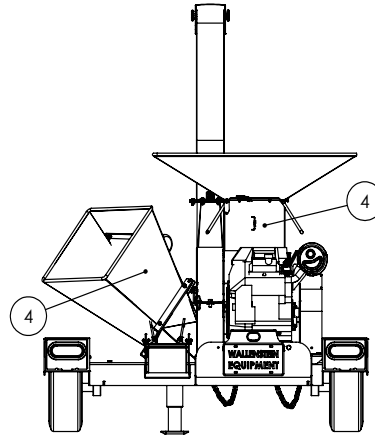
LEFT SIDE

BXMT42 DECAL BREAKDOWN

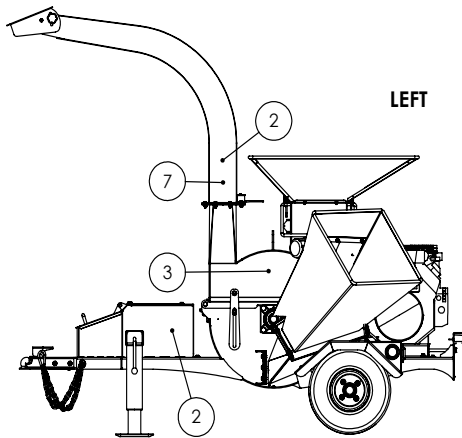
ITEM	PART NO.	DESCRIPTION	QTY
1	Z94056	WALLENSTEIN Decal	2
2	Z94019	1" Dia. Made In Canada	4
3	Z94064	BXMT4224 Decal	2
4	Z94007	DANGER - Rotating Blades	6
5	Z94006	CAUTION - Read Manual	1
6	Z94012	WARNING - Rotating Part Hazard	1
7	Z94008	DANGER - Thrown Object Hazard	3
8	Z94013	DANGER - Missing Guard	1
9	Z94115	NO SMOKING	1



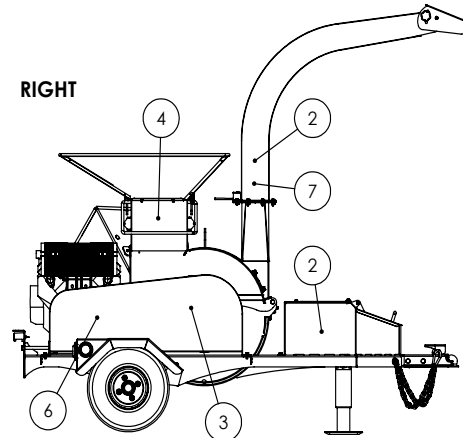
FRONT



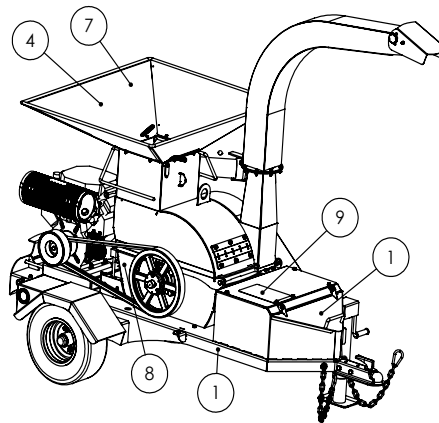
BACK



LEFT



RIGHT



Decals BMXT42

Z94056



Z94061



Z94115



Z94006



Z94007



Z94013



Z94019



Z94012



Z94008





WALLENSTEIN Products Manufactured by:

EMB MFG Inc.

4144 Boomer Line
St. Clements, Ontario
Canada N0B 2M0
Phone: 1-877-695-9283
Fax: 519-699-4146
www.embmfg.com