



WX970 Trailer Log Splitter Parts Manual

S/N 370001 to 370009



Foreword

EMB Mfg. has prepared this parts manual to assist customers in ordering quality OEM replacement parts.

Proper and regular service and replacing old, worn or broken parts with the correct OEM parts are essential to prolonging the life of your EMB product. Please refer to this manual before ordering any replacement parts.

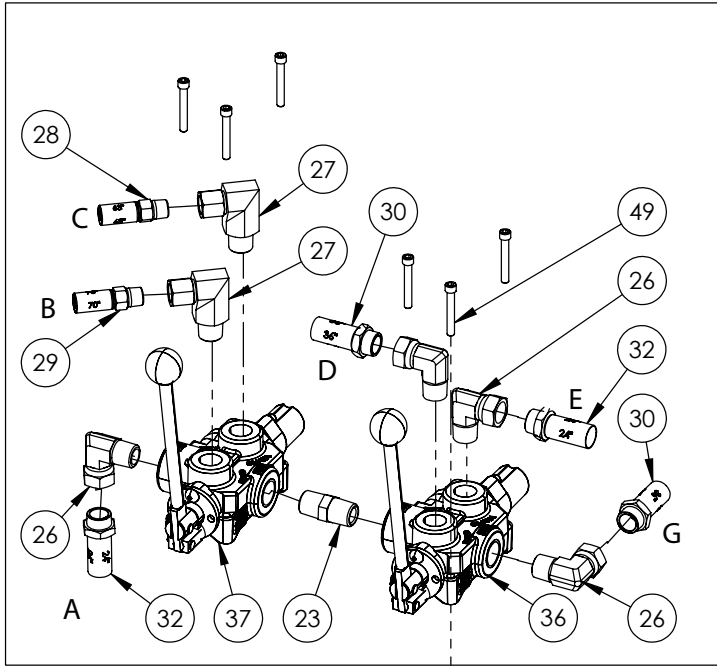
All information contained in this parts manual is based on the latest product specification available at the time of printing this manual. If your product differs from the specifications contained within this manual contact EMB Mfg. for information.

EMB reserves the right to alter specifications on their products at any time.

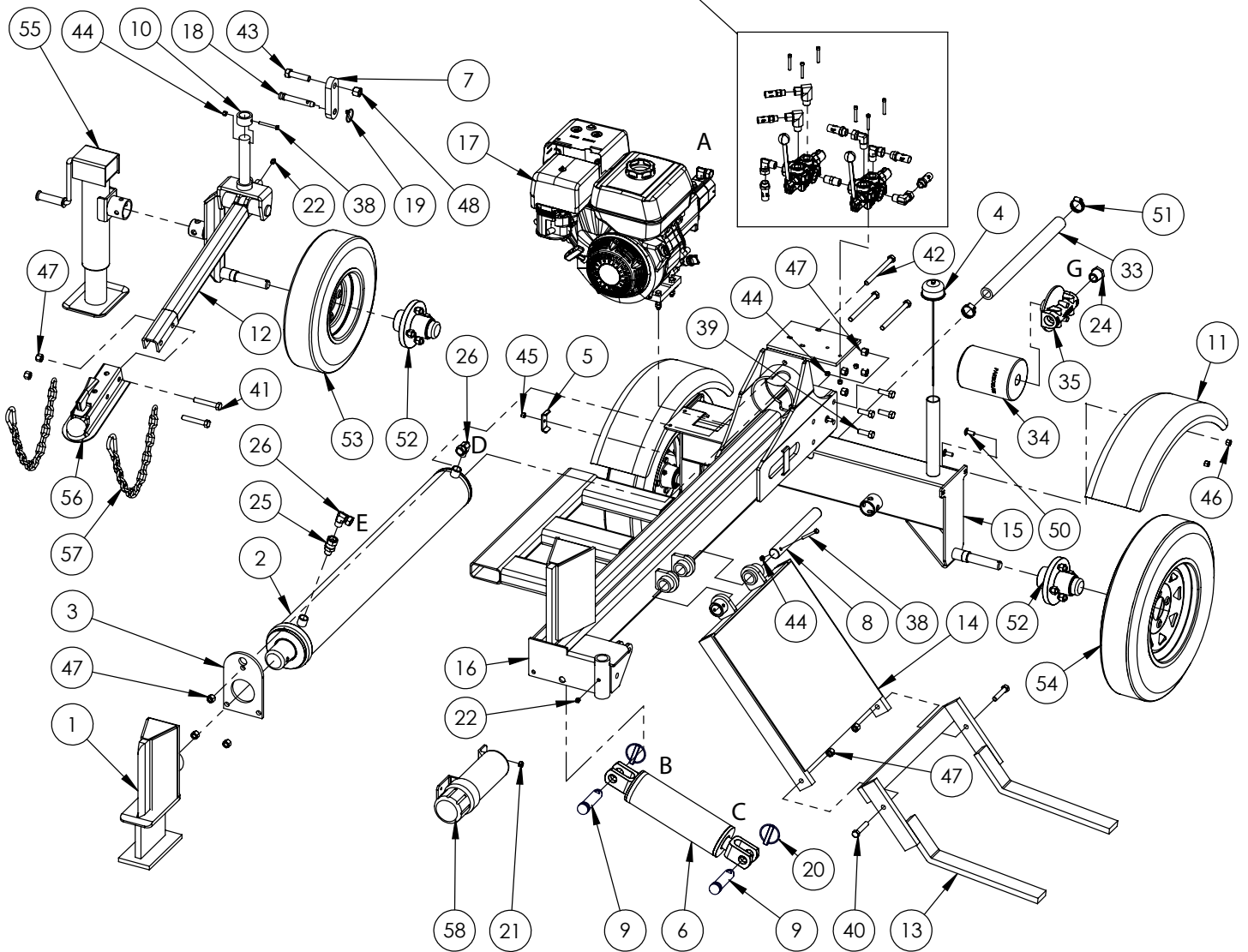
Reproduction of this parts manual of any kind is prohibited without prior written permission from EMB Mfg.

Table of Contents

Cylinder	6
Sliding Wedge	7
Valve	8
Hub	11
Engine & Pump	12
Light Kit (Optional)	13
Decal Breakdown	15

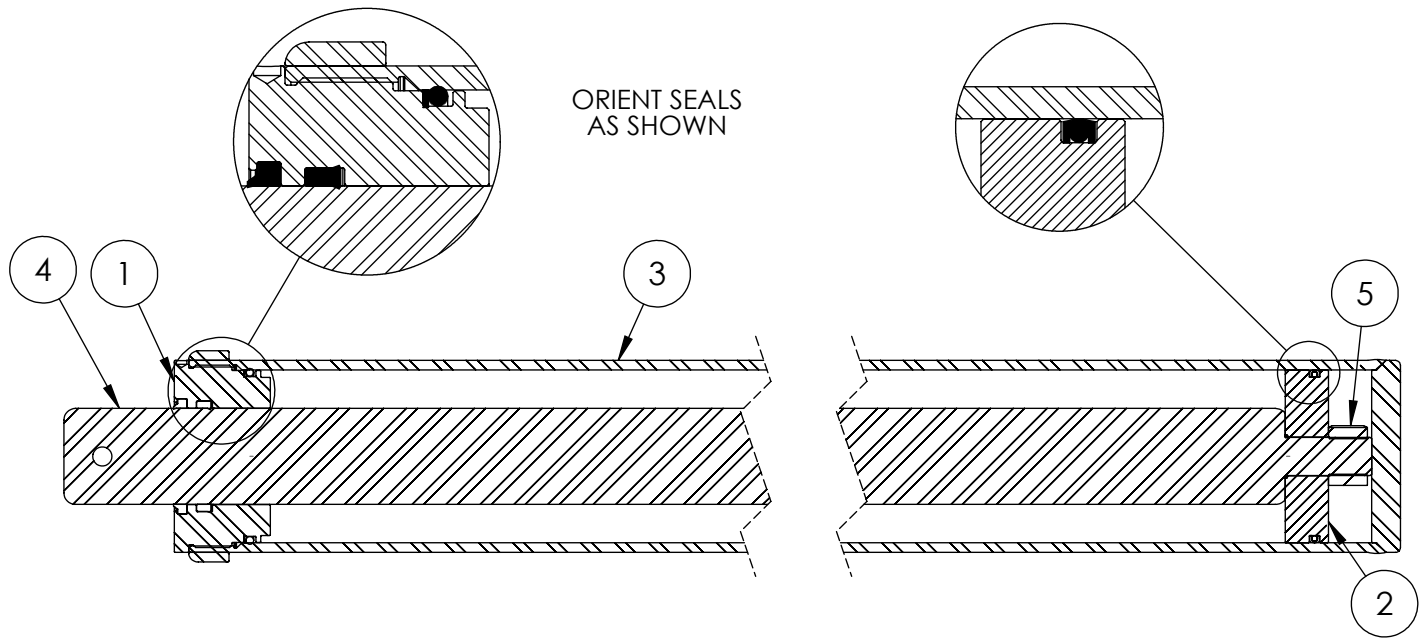


LETTERS DENOTE HOSE ROUTING CONNECTIONS.



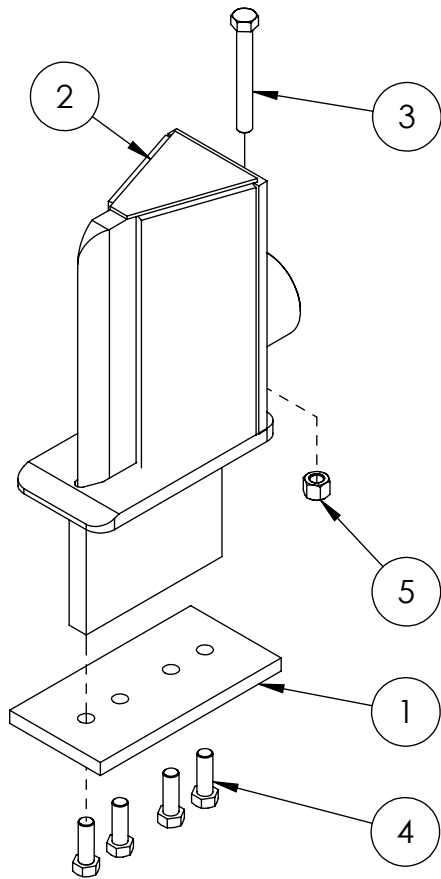
WX960 / WX970 PARTS BREAKDOWN

ITEM	WX960	WX970	DESCRIPTION	QTY
1	2032A202		Wedge, Large Sliding Assy	1
2	2032C201	2013C301 (48")	Cylinder, 4-1/2 x 36 x 2-1/2	1
3	2032S213		Plate, Cylinder Retaining	1
4	2054A402		Breather cap dipstick	1
5	2054L412		Clamp, Two Hose	2
6	2058C801		Cylinder, 3-1/2 x 8 X 1-1/2	1
7	2058L809		Lock Link	1
8	2058M815		Pin, Shelf Pivot	1
9	Z11141		Toplink Pin 1 x 3-3/16	2
10	2058M819		Bushing, Pivot with Hole	1
11	2058W811		Weldment, Fender	2
12	2058W812		Weldment, Front Tire	1
13	2059W910	2060W010	Weldment, Log Arm	1
14	2059W913	2060W013	Weldment, Lift Shelf	1
15	2059W915		Weldment, WX960 Tank	1
16	2059W916	2060W015	Weldment, Main Trailer	1
17	2061A103		Assy, 9hp Engine to 16gpm Pump	1
18	Z11111		Toplink Pin 5/8 x 2-3/4	1
19	Z12110		Latch Pin 3/16	1
20	Z12140		Latch Pin, 7/16	2
21	Z72521		Flange Nut 5/16NC	1
22	Z29201		Grease Fitting, 1/8NPT	2
23	Z51122		Nipple, MP x MP 0808	1
24	Z51223		Reducer, MP x FP 1608	1
25	Z51312		Straight, MP x FPx 0808	1
26	Z51331		Elbow 90 MP x FPX 0808	6
27	Z51332		Elbow 90 MP x FPX 0806	2
28	Z52233		3/8 Hose, MP06 x MP06 x 63"	1
29	Z52234		3/8 Hose, MP06 x MP06 x 70"	1
30	Z52303	QTY 1	1/2 Hose, 1/2MP x 1/2MP x 36"	2
31	-	Z52310	1/2 Hose, 1/2MP x 1/2MP x 48"	1
32	Z52305		1/2 Hose, MP08 x MP08 x 24"	2
33	Z52404		Suction Hose, 1" x 18"	1
34	Z55303		Oil Filter - 1" - Particulate	1
35	Z55304		Filter Cap, FP16 x FP16	1
36	Z56209		Valve, Single Function Detent	1
37	Z56211		Valve, Single Function	1
38	Z71122		Hex Bolt 1/4NC x 2-1/4	2
39	Z71515		Hex Bolt 1/2NC x 1-1/2	8
40	Z71525		Hex Bolt 1/2NC x 2-1/2	2
41	Z71530		Hex Bolt 1/2NC x 3	2
42	Z71560		Hex Bolt 1/2NC x 6	3
43	Z71625		Hex Bolt, 5/8NC x 2-1/2	1
44	Z72111		Hex Lock Nut 1/4NC	8
45	Z72221		Hex Lock Nut 5/16NC	2
46	Z72231		Hex Lock Nut 3/8NC	4
47	Z72251		Hex Lock Nut 1/2NC	15
48	Z72261		Hex Lock Nut 5/8NC	1
49	Z75114		SHCS, 1/4NC x 1-3/4	6
50	Z76231		Carriage Bolt 3/8NC x 1	4
51	Z79401		Hose Clamp, #16	2
52	Z91202		Assembly, 1000# 4-Bolt Hub	3
53	Z91301		4.80-8 LRB SportTrail	1
54	Z91302		5.30-12 LRB SportTrail 4 Spoked	2
55	Z91512		Side-Wind 10" Swivel Jack	1
56	Z91614		2" Hitch Coupler	1
57	Z92303		Safety Chain 1/4 x 2'	2
58	Z96503		Manual Tube 3-1/2 Short	1



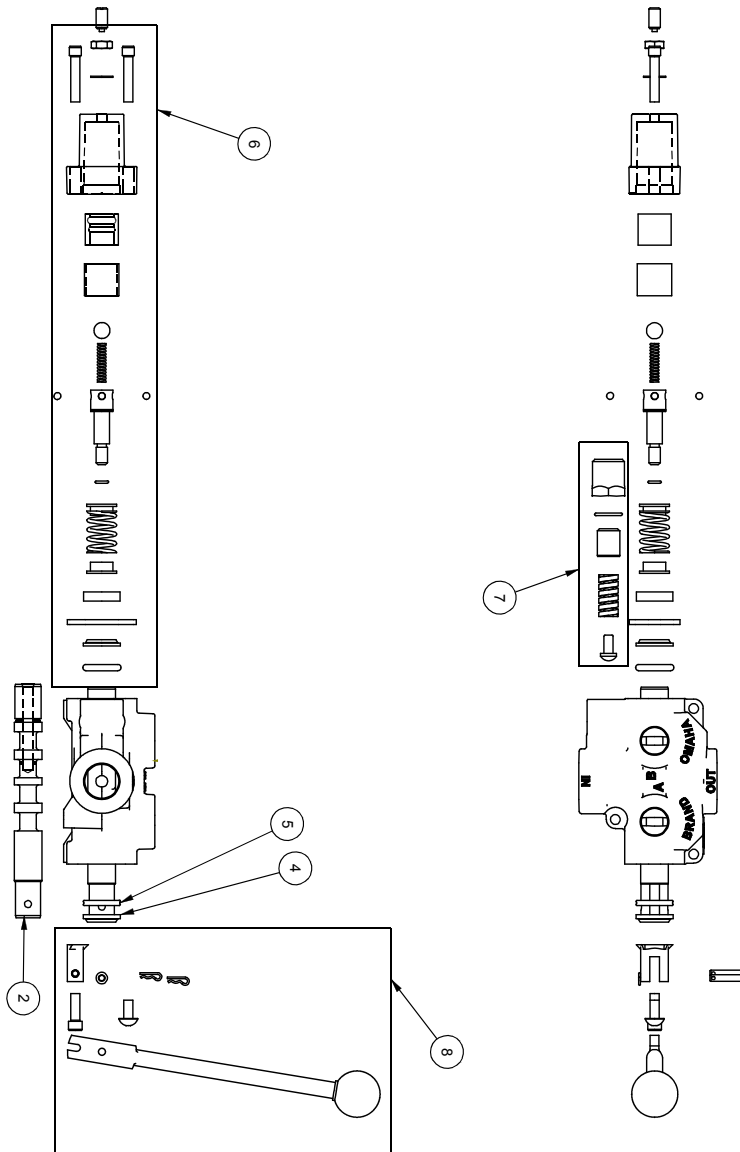
4-1/2" x 48" STROKE CYLINDER PARTS

ITEM	PART NO.	DESCRIPTION	QTY
1	G450-250SA	4-1/2" Bore x 2-1/2" Rod Gland With Seals	1
2	P100-450SA	4-1/2" Bore Piston With Seals	1
3	2013C3014	Barrel, 4-1/2"	1
4	2013C3012	Rod, 2-1/2x 1	1
5	Z72292G8	Hex Lock Nut 1NF Grade 8	1
6	SLK-4525	Seal Kit, 4-1/2 x 2-1/2	1



2032A202 SLIDING WEDGE PARTS BREAKDOWN

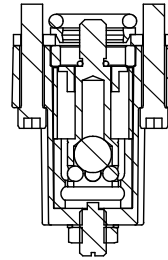
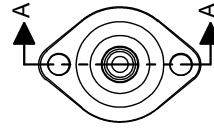
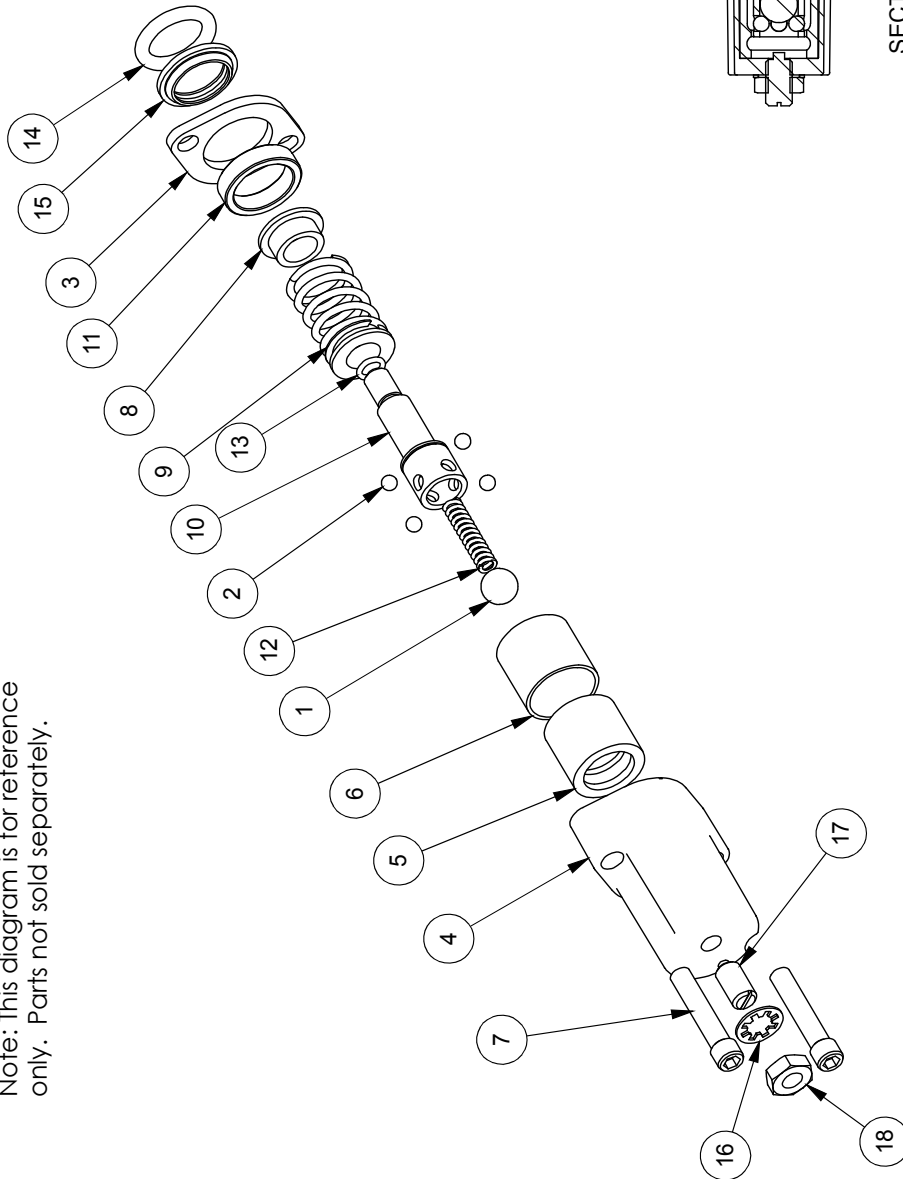
ITEM	PART NO.	Description	QTY.
1	2014S414	Plate, Sliding Wedge Capture	1
2	2032W203	Wedge, Large Sliding	1
3	Z71540	Hex Bolt 1/2NC x 4	1
4	Z71576	Hex Bolt 1/2NF x 1-1/2	4
5	Z72251	Hex Lock Nut 1/2NC	1



ITEM NO.	QTY.	PART NO.	DESCRIPTION
1	1	AOCAS1B	AO CASTING
2	1	LS304TAJ	SPOOL
3	1	P1740	NAME TAG
4	1	SF305	WIPER
5	1	SF304	QUAD RING
6	1	SUB-LS	SUB-LS
		B5057	7/16 BALL
		DC7604	3/16 BALL
1	1	SF477L	RETAINER
1	1	SF477L	SH LS ENDCAP
1	1	XDC672	LS SLEEVE
1	1	SF483	SPACER
2	2	SF486	ALLEN SCREW
1	1	SF489	CENTER STOP
1	1	SF490	CENTERING SPRING
1	1	SF492	HOUSING
1	1	SF315	SPACER
1	1	LS305	DETENT SPRING
1	1	DC7583	O-RING 3-902
1	1	SF496	O-RING BLUE METRIC
1	1	LS306	LS WIPER
1	1	SF502	5/16 LOCK WASHER
1	1	SF503	PLUNGER SPRING
1	1	SF504	5/16 HEX JAM NUT
7	1	SUB-R	RELIEF
1	1	P1603	CAP NUT
1	1	SF322	O-RING 2-016
1	1	SF364A	ADJ. SCREW
1	1	B505	SPRING
1	1	SF361A	POPPET
1	1	Z56915	HANDLE KIT
8	1	SF377	RETAINER
1	1	SF376	SEAL RETAINER
1	1	SF367A	CLEVIS
1	1	SF368	HANDLE
2	2	SF369	PIN
1	1	P1767	PIN CLIP
1	1	HR5	MACH. SCREW
1	1	SF311	KNOB
1	1	SF308	CAP SCREW
1	1	SF303TAJ	SPOOL
9	1	P1654	WARNING TAG

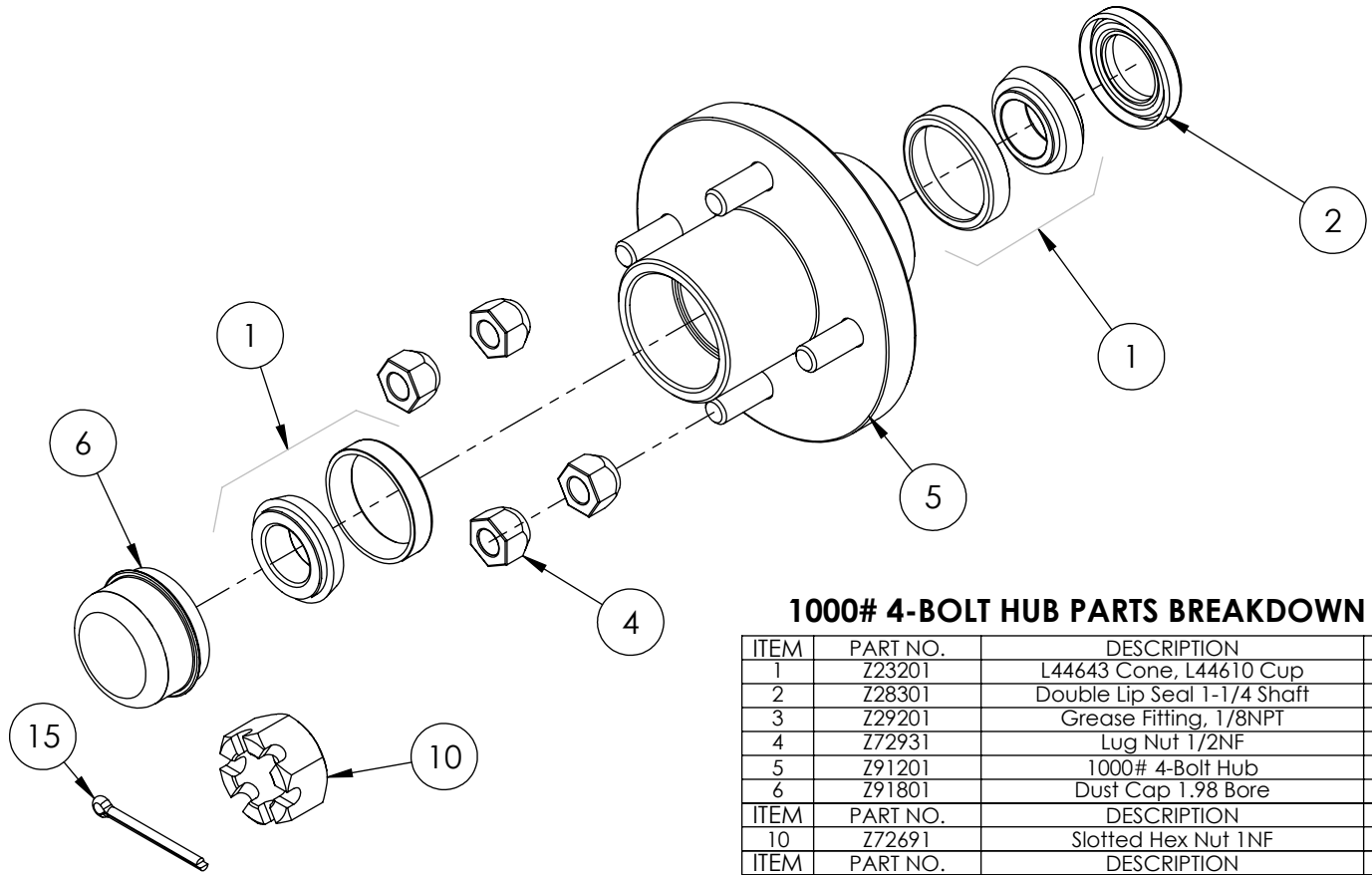
ITEM NO.	QTY.	PART NO.	DESCRIPTION
1	1	B5057	7/16 BALL
2	4	DC7604	3/16 BALL
3	1	SF306	RETAINER
4	1	SF477L	SH LS ENDCAP
5	1	SF480	SD SLEEVE
6	1	SF483	SPACER
7	2	SF486	ALLEN SCREW
8	2	SF489	CENTER STOP
9	1	SF490	CENTERING SPRING
10	1	SF492	HOUSING
11	1	SF315	SPACER
12	1	LS305	DETENT SPRING
13	1	DC7583	O-RING 3-902
14	1	SF496	METRIC O-RING
15	1	LS306	LS WIPER
16	1	SF502	5/16 LOCK WASHER
17	1	SF503	SPRING PLUNGER
18	1	SF504	5/16 HEX JAM NUT

Note: This diagram is for reference only. Parts not sold separately.



SECTION A-A

This Page is Intentionally Blank

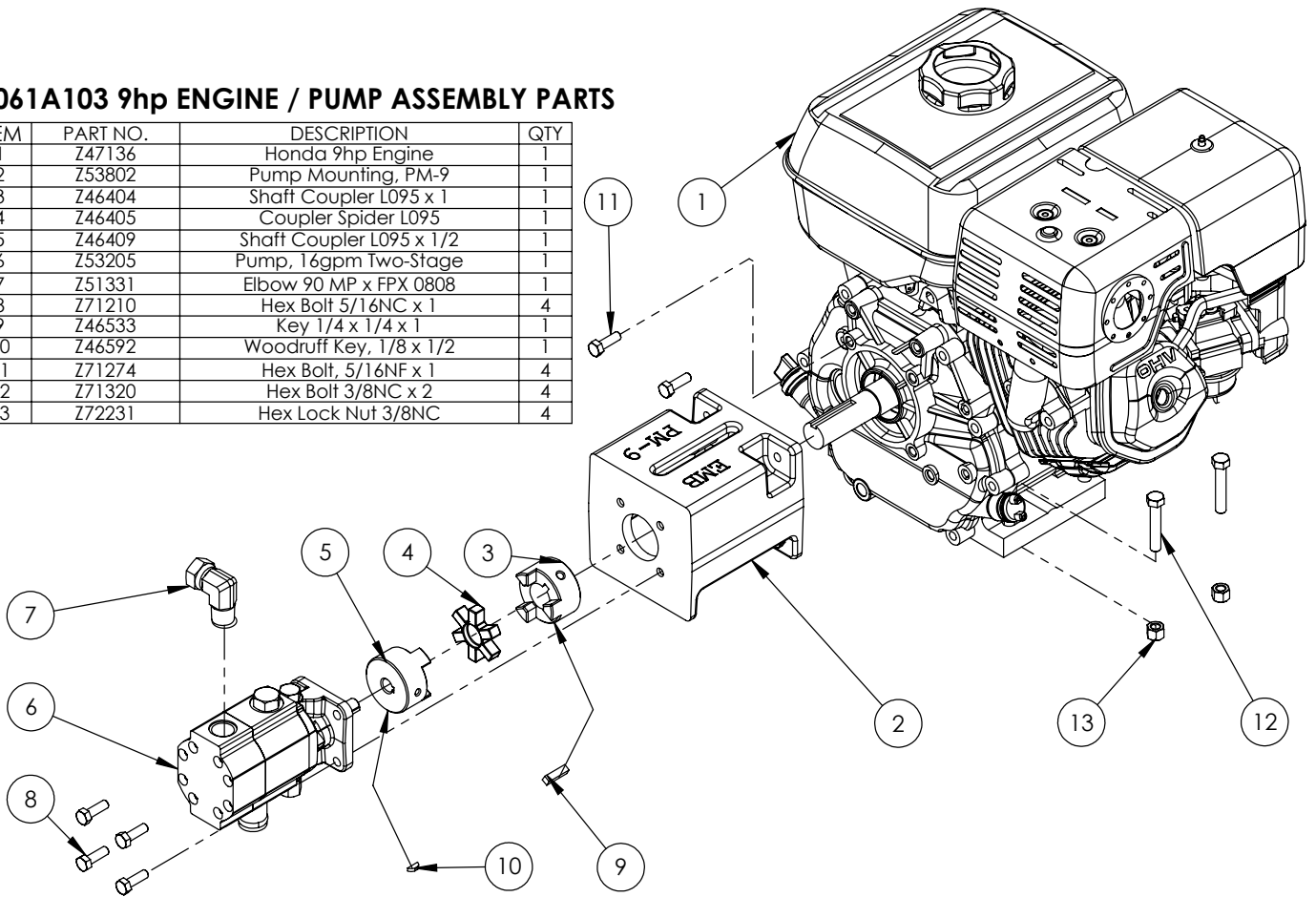


1000# 4-BOLT HUB PARTS BREAKDOWN

ITEM	PART NO.	DESCRIPTION	QTY
1	Z23201	L44643 Cone, L44610 Cup	2
2	Z28301	Double Lip Seal 1-1/4 Shaft	1
3	Z29201	Grease Fitting, 1/8NPT	1
4	Z72931	Lug Nut 1/2NF	4
5	Z91201	1000# 4-Bolt Hub	1
6	Z91801	Dust Cap 1.98 Bore	1
ITEM	PART NO.	DESCRIPTION	QTY
10	Z72691	Slotted Hex Nut 1NF	1
ITEM	PART NO.	DESCRIPTION	QTY
15	Z12322	Cotter Pin 3/16 X 2	1

2061A103 9hp ENGINE / PUMP ASSEMBLY PARTS

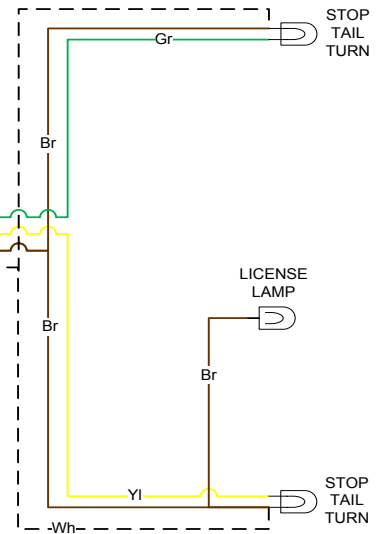
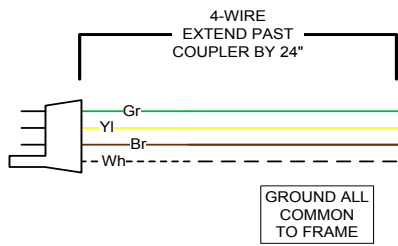
ITEM	PART NO.	DESCRIPTION	QTY
1	Z47136	Honda 9hp Engine	1
2	Z53802	Pump Mounting, PM-9	1
3	Z46404	Shaft Coupler L095 x 1	1
4	Z46405	Coupler Spider L095	1
5	Z46409	Shaft Coupler L095 x 1/2	1
6	Z53205	Pump, 16gpm Two-Stage	1
7	Z51331	Elbow 90 MP x FPX 0808	1
8	Z71210	Hex Bolt 5/16NC x 1	4
9	Z46533	Key 1/4 x 1/4 x 1	1
10	Z46592	Woodruff Key, 1/8 x 1/2	1
11	Z71274	Hex Bolt, 5/16NF x 1	4
12	Z71320	Hex Bolt 3/8NC x 2	4
13	Z72231	Hex Lock Nut 3/8NC	4



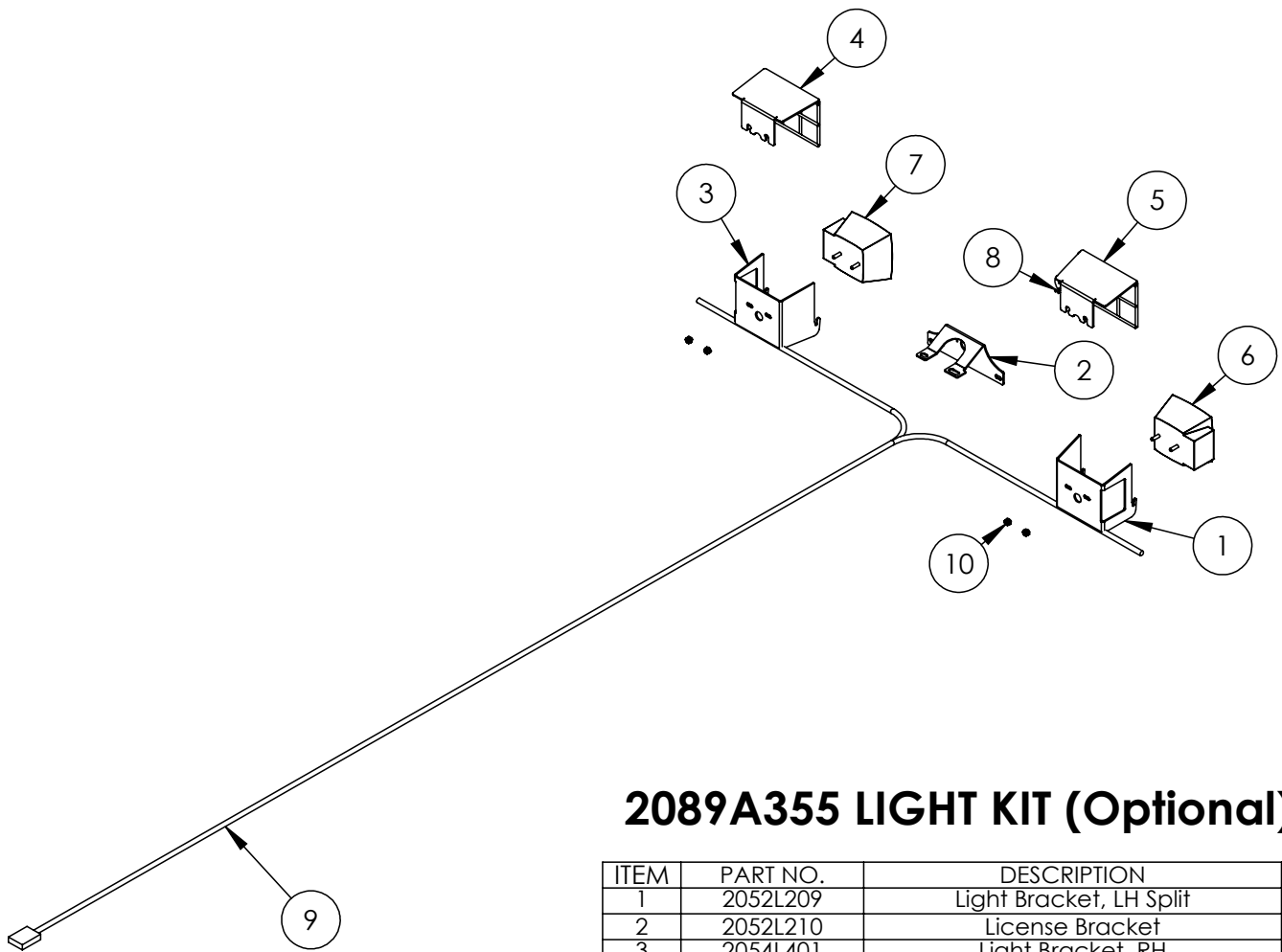
WX TRAILER SPLITTER WIRING

RIGHT SIDE

KEY	
Bl	- BLUE
Br	- BROWN
Gr	- GREEN
Rd	- RED
Yl	- YELLOW
Bk	- BLACK
Wh	- WHITE



LEFT SIDE

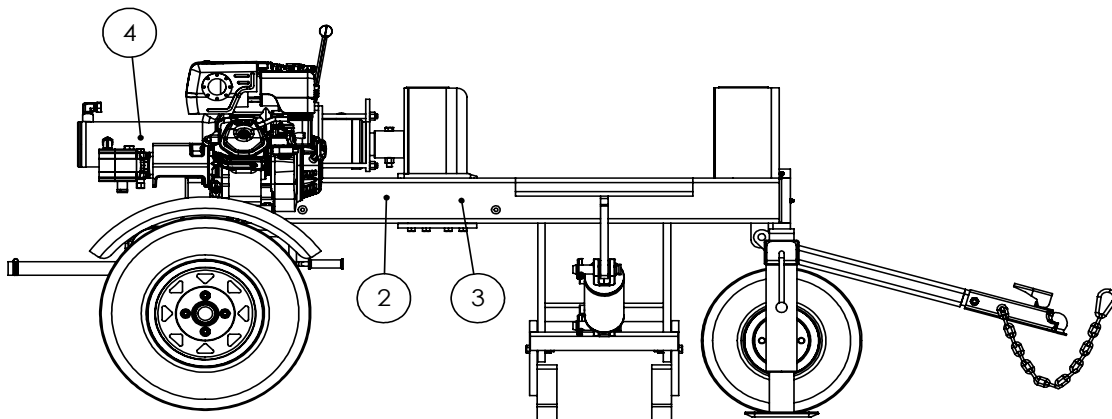
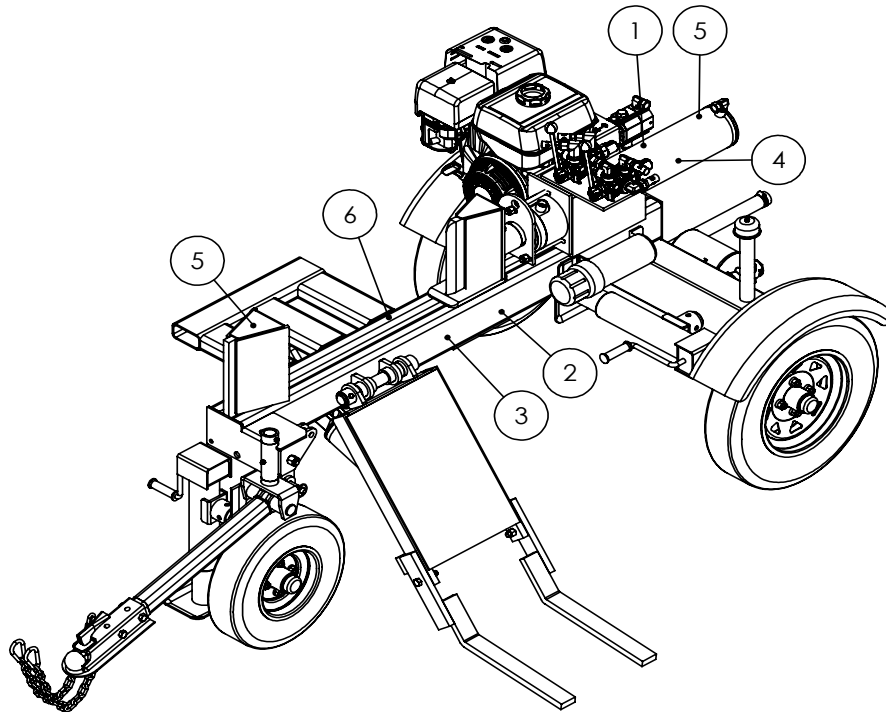


2089A355 LIGHT KIT (Optional)

ITEM	PART NO.	DESCRIPTION	QTY
1	2052L209	Light Bracket, LH Split	1
2	2052L210	License Bracket	1
3	2054L401	Light Bracket, RH	1
4	2054W403	Light Guard, RH	1
5	2054W404	Light Guard, LH	1
6	Z61106	Stop, Turn, Tail Light LH	1
7	Z61107	Stop, Turn, Tail Light RH	1
8	Z61301	License Lamp	1
9	Z62105	110" Wishbone Trailer Harness	1
10	Z72941	Serrated Washer Nut 1/4NC	4

HORIZONTAL LOG SPLITTER DECAL BREAKDOWN

ITEM	PART NO.	DESCRIPTION	QTY
1	Z94039	CAUTION - Read Manual	1
2	Z94040	WARNING - Moving Wedge	2
3	Z94067	Clear Guide	2
4	Z94056	Wallenstein	2
5	Z94019	Made in Canada	2
6	Z94066	Apply Oil or Grease	1



Trailer Splitter Decals

Z94056



Z94067



Z94019



Z94066



Z94039

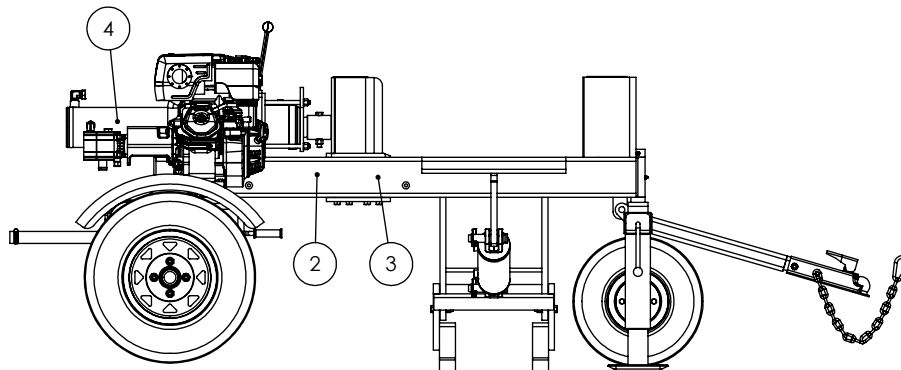
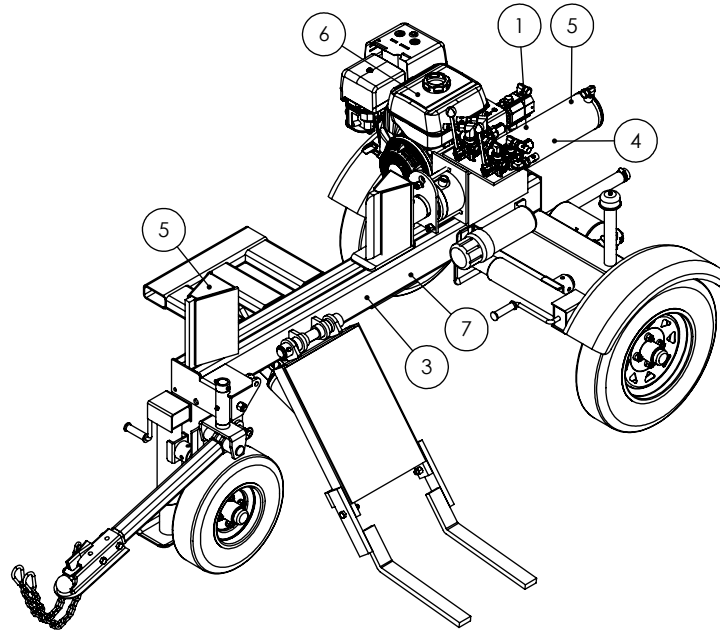


Z94040



HORIZONTAL LOG SPLITTER DECAL BREAKDOWN

ITEM	PART NO.	DESCRIPTION	QTY
1	Z94119	CAUTION - Read Manual	1
2	Z94123	Keep Feet Back	1
3	Z94067	Clear Guide	2
4	Z94056	Wallenstein	2
5	Z94019	Made in Canada	2
6	Z94142	99 dB Sound	1
7	Z94124	Keep Hands Back	1



Two Panel Trailer Splitter Decals

Z94019



Z94142



Z94067



Z94056



Z94119



Z94123



Z94124





WALLENSTEIN Products Manufactured by:

EMB MFG Inc.

4144 Boomer Line
St. Clements, Ontario
Canada N0B 2M0
Phone: 1-877-695-9283
Fax: 519-699-4146
www.embmfg.com