



LX5100 3PH Log Grapples Parts Manual

Starting with S/N 6510013 to S/N 65100180



Foreword

EMB Mfg. has prepared this parts manual to assist customers in ordering quality OEM replacement parts.

Proper and regular service and replacing old, worn or broken parts with the correct OEM parts are essential to prolonging the life of your EMB product. Please refer to this manual before ordering any replacement parts.

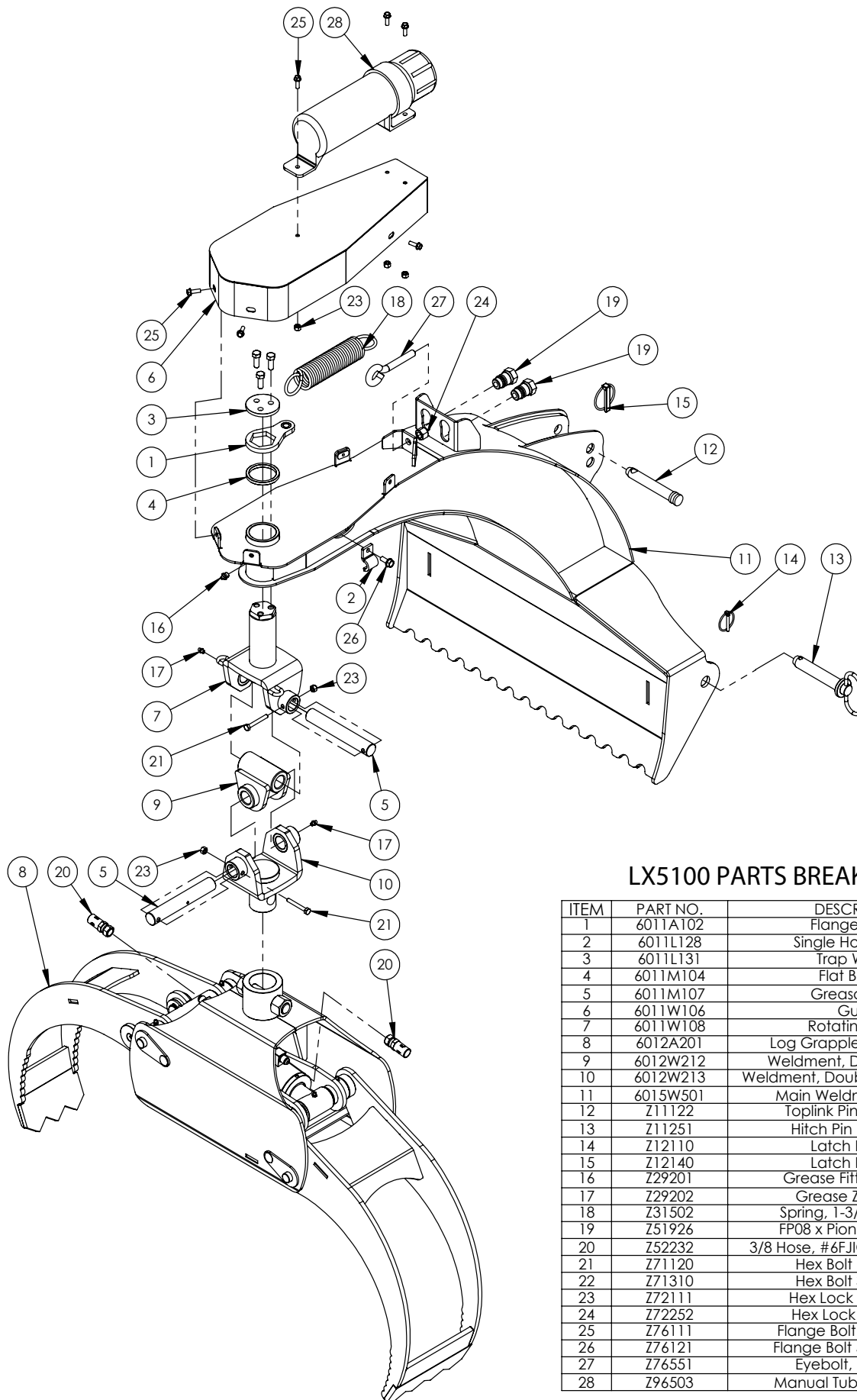
All information contained in this parts manual is based on the latest product specification available at the time of printing this manual. If your product differs from the specifications contained within this manual contact EMB Mfg. for information.

EMB reserves the right to alter specifications on their products at any time.

Reproduction of this parts manual of any kind is prohibited without prior written permission from EMB Mfg.

Table of Contents

Main Parts	4
Grapple	5
Cylinder	7
Decal Breakdown	8

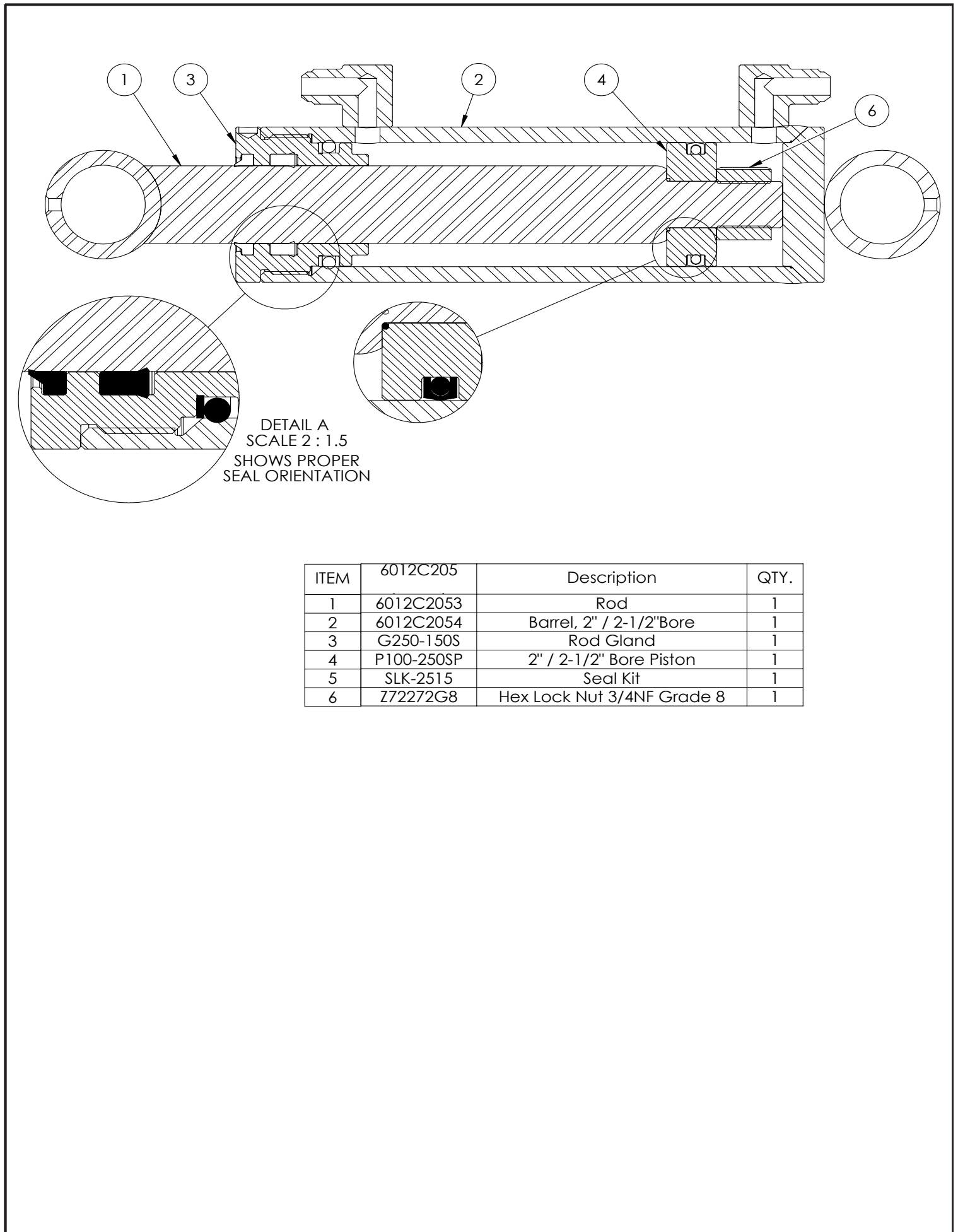


LX5100 PARTS BREAKDOWN

ITEM	PART NO.	DESCRIPTION	QTY
1	6011A102	Flange, Spring	1
2	6011L128	Single Hose Clamp	2
3	6011L131	Trap Washer	1
4	6011M104	Flat Bearing	1
5	6011M107	Greasable Pin	2
6	6011W106	Guard	1
7	6011W108	Rotating Clevis	1
8	6012A201	Log Grapple, 4' Capacity	1
9	6012W212	Weldment, Double U-Joint	1
10	6012W213	Weldment, Double Pivot Adapter	1
11	6015W501	Main Weldment, LX5100	1
12	Z11122	Toplink Pin 3/4 x 3-7/8	1
13	Z11251	Hitch Pin 7/8 x 4-1/4	2
14	Z12110	Latch Pin 3/16	2
15	Z12140	Latch Pin 7/16	1
16	Z29201	Grease Fitting, 1/8NPT	1
17	Z29202	Grease Zerk 1/4NF	2
18	Z31502	Spring, 1-3/4 x 9 Heavy	1
19	Z51926	FP08 x Pioneer Coupler	2
20	Z52232	3/8 Hose, #6FJIC x 1/2NPT x 106	2
21	Z71120	Hex Bolt 1/4NC x 2	2
22	Z71310	Hex Bolt 3/8NC x 1	3
23	Z72111	Hex Lock Nut 1/4NC	5
24	Z72252	Hex Lock Nut 1/2NF	1
25	Z76111	Flange Bolt 1/4NC x 3/4	7
26	Z76121	Flange Bolt 5/16NC x 3/4	2
27	Z76551	Eyebolt, 1/2NC x 3	1
28	Z96503	Manual Tube 3-1/2 Short	1

Grapple

This Page is Intentionally Blank

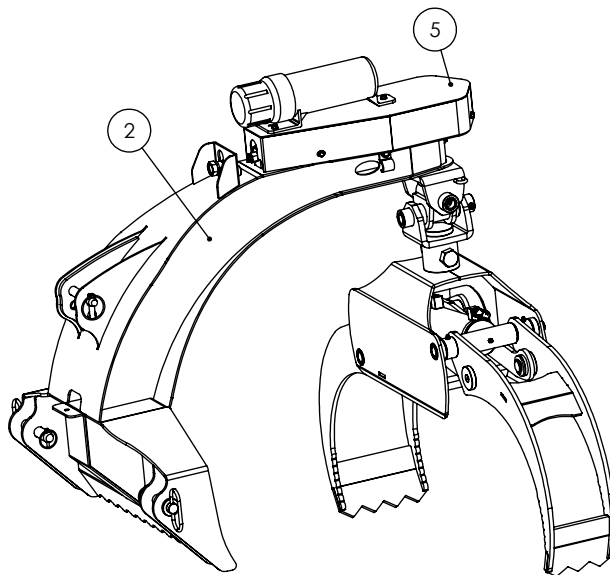
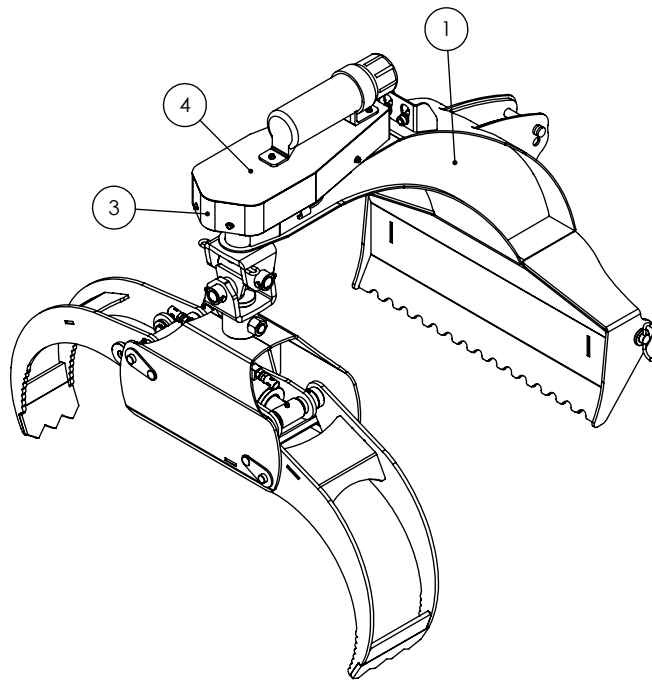


DETAIL A
SCALE 2 : 1.5
SHOWS PROPER
SEAL ORIENTATION

ITEM	6012C205	Description	QTY.
1	6012C2053	Rod	1
2	6012C2054	Barrel, 2" / 2-1/2" Bore	1
3	G250-150S	Rod Gland	1
4	P100-250SP	2" / 2-1/2" Bore Piston	1
5	SLK-2515	Seal Kit	1
6	Z72272G8	Hex Lock Nut 3/4NF Grade 8	1

LOG GRAPPLE DECAL BREAKDOWN

ITEM	PART NO.	DESCRIPTION	QTY
1	Z94153	LX5100 LH	1
2	Z94154	LX5100 RH	1
3	Z94019	Made in Canada	1
4	Z94033	Boom/ Grapple Hazard	1
5	emb-079	Read Owners Manual	1



LX5100 Decals

emb-079



Z94153



Z94019



Z94033

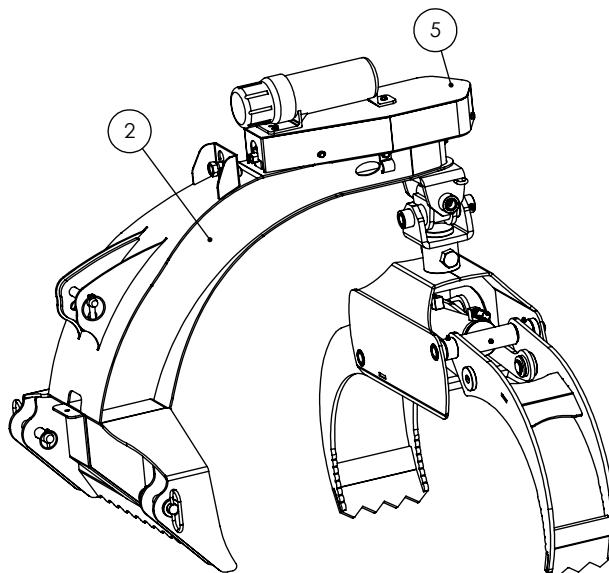
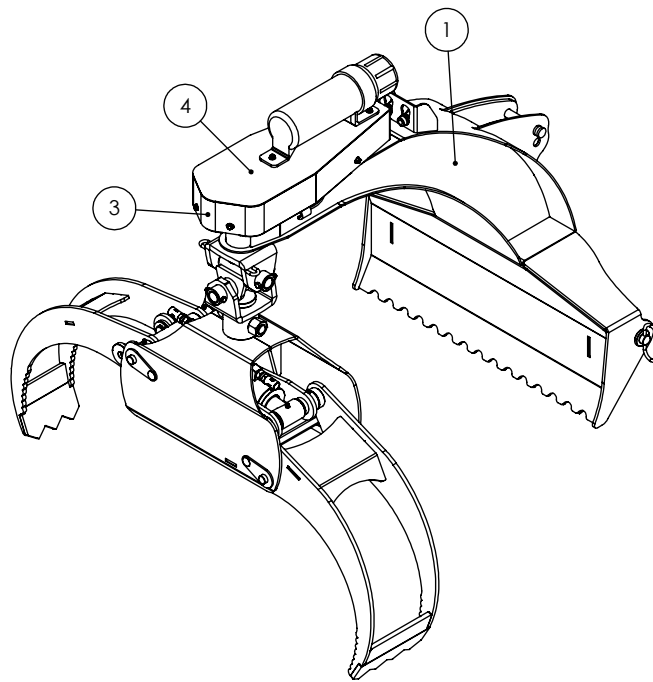


Z94154



TWO PANEL LOG GRAPPLE DECAL BREAKDOWN

ITEM	PART NO.	DESCRIPTION	QTY
1	Z94153	LX5100 LH	1
2	Z94154	LX5100 RH	1
3	Z94019	Made in Canada	1
4	Z94166	Boom/ Grapple Hazard	1
5	Z94119	Read Owners Manual	1



Two Panel LX5100 Decals

Z94154



Z94153



Z94019



Z94119



Z94166





WALLENSTEIN Products Manufactured by:

EMB MFG Inc.

4144 Boomer Line
St. Clements, Ontario
Canada N0B 2M0
Phone: 1-877-695-9283
Fax: 519-699-4146
www.embmfg.com