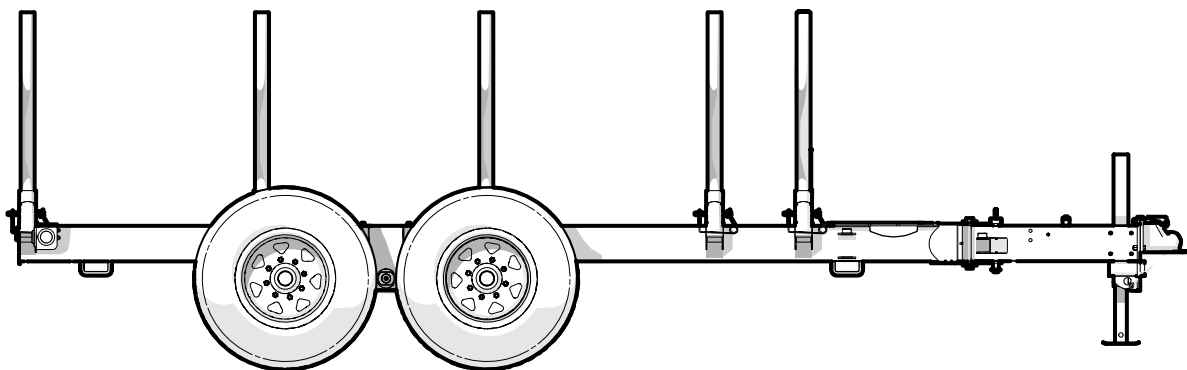


PARTS MANUAL

LT60 – S/N 60T20 & up

LT60H – S/N 2E9US1119FS060052 & up

LT60, LT60H LOG TRAILER



Foreword

This Wallenstein parts manual is prepared to assist customers in ordering quality OEM replacement parts.

Regular maintenance combined with replacing old, worn or broken parts with the correct OEM parts is essential in prolonging the life of your Wallenstein product. Refer to this manual to identify replacement parts.

To order parts, contact your Wallenstein dealer or distributor. Have the product model and serial number handy.

If your dealer is no longer available, please go to our website: <http://wallensteinequipment.com> and click on the [Dealer Locator](#) to find the nearest dealer.

All information contained in this parts manual is current as per the revision date at the bottom of the page. Wallenstein reserves the right to change product specifications at any time without notice.

If your product specifications differ from those contained in this manual, contact Wallenstein for current information.

Reproduction of information in this parts manual is prohibited without prior written permission from Wallenstein Equipment Inc.

Wallenstein Equipment Inc. • © 2020

WARNING!

Refer to the operators manual for safe operation and maintenance.

Maintenance should be performed by trained personnel only.

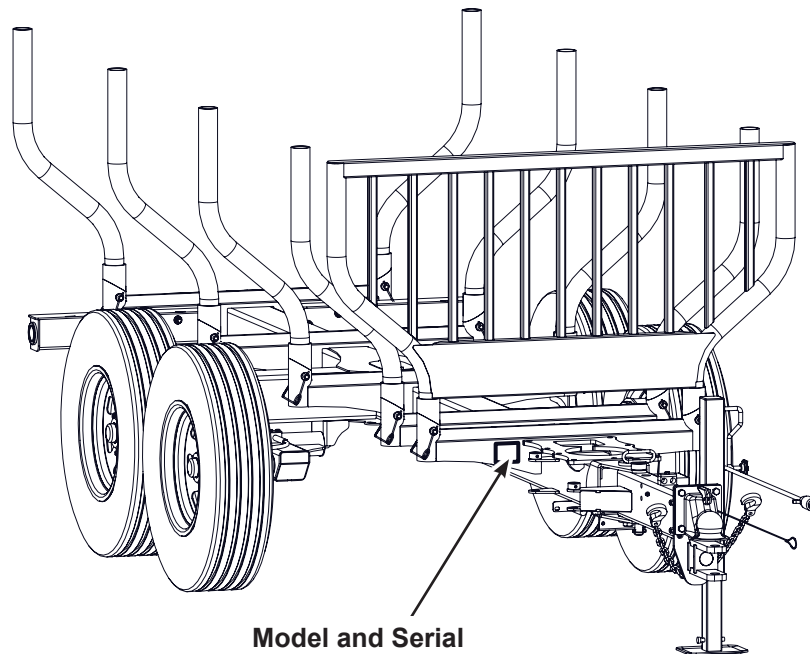
Serial Number Location

Always provide the model and serial number of your Wallenstein product when ordering parts or requesting service or other information. This information is found on the product information plate as shown below.

Record your product information here for future reference.

Model _____

Serial Number _____



**Model and Serial
Number Location**

www.wallensteinequipment.com

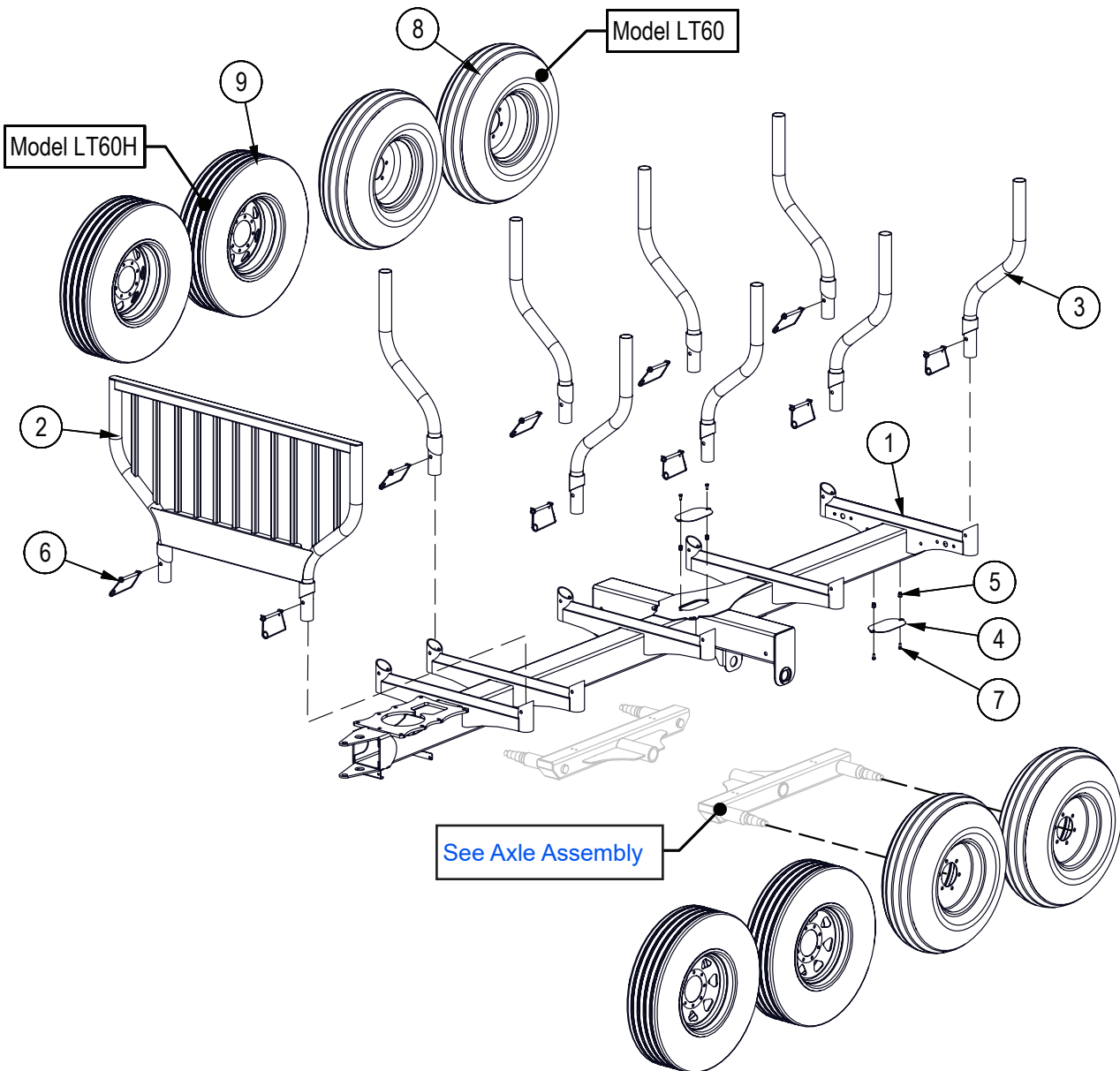
Contents

LX115 / LT60 Variation Chart	4
Main Frame Assembly	5
Axle Assembly – LT60	6
Hub Assembly Detail – LT60H.....	6
Axle Assembly – LT60H, S/N 2E9US1119FS060052 – 2E9US1119FS060083.....	7-A
Axle Assembly – LT60H, S/N 2E9US1119FS060084 & Up.....	7-B
Tongue Assembly	8
Wiring Harness – LT60H	9
Hub Assembly Detail – LT60	10
Brake Drum Assembly Detail – LT60H	10
Hydraulic Drawbar Option	11
Electric Brake Assembly Detail – LT60H.....	12
Hydraulic Drawbar Cylinder Detail	12
Hydraulic Brakes and Drawbar Plumbing Diagram – LT60H	13
Power Pack Option Plumbing Diagram	14
Decal Layout	15
Accessories	16
Common Bolt Torque Values	17
Hydraulic Fitting Torque Values	18
Wheel Lug Torque Values.....	18

LX115 / LT60 Variation Chart

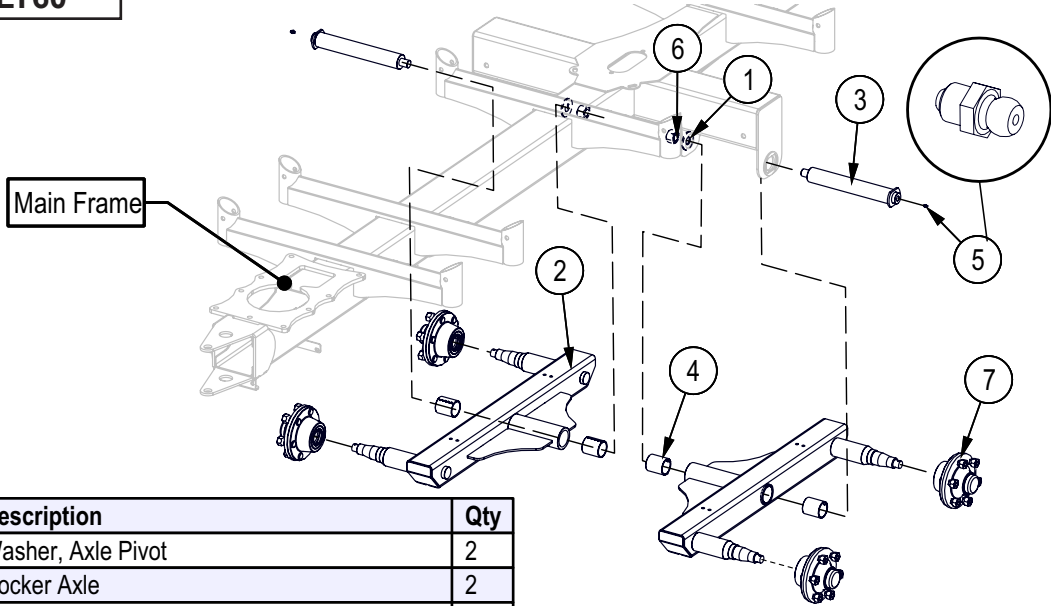
Trailer / Log Loader Cross reference		Boom Mounting Combination		Three Point Hitch	Trailer / Bunk Posts	Dual Speed Winch	Highway Kit
Grapple Boom		LX115	X				
Grapple Boom Off-Road Trailer		LX115	LT60		✓		
Grapple Boom Trailer - Highway Kit		LX115	LT60H		✓		✓
Grapple Boom 3 Point Hitch Kit		LX115	L400	✓			
W i n c h M o d e l s	Grapple Boom with Winch	LX115W	X			✓	
	Grapple Boom with Winch Off-Road Trailer	LX115W	LT60		✓	✓	
	Grapple Boom with Winch Trailer - Highway Kit	LX115W	LT60H		✓	✓	✓
	Grapple Boom with Winch 3 Point Hitch Kit	LX115W	L400	✓		✓	

Main Frame Assembly



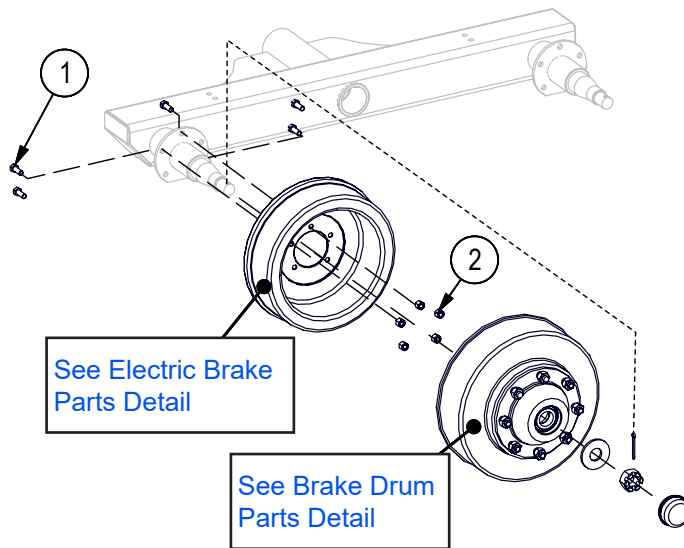
Item No.	Part No.	Description	Qty
1	6052W669	Main Frame	1
2	6052W663	Grill	1
3	6052W664	Bunk Post	8
4	6052L477	Plate, Access Cover	2
5	Z72957	Rivet Nut, 5/16NC x 312	4
6	Z12441	Snap Lock Pin, 1/2" x 4-1/2"	10
7	Z71207	Hex Bolt, 5/16NC x 3/4"	4
8	Z91308	11L-15SL I-1 (TL) 12PR Farm Specialist 6on6"	4
9	Z91327	ST235/80R16 LRE Radial Trail 8on6-1/2"	4

Axle Assembly – LT60



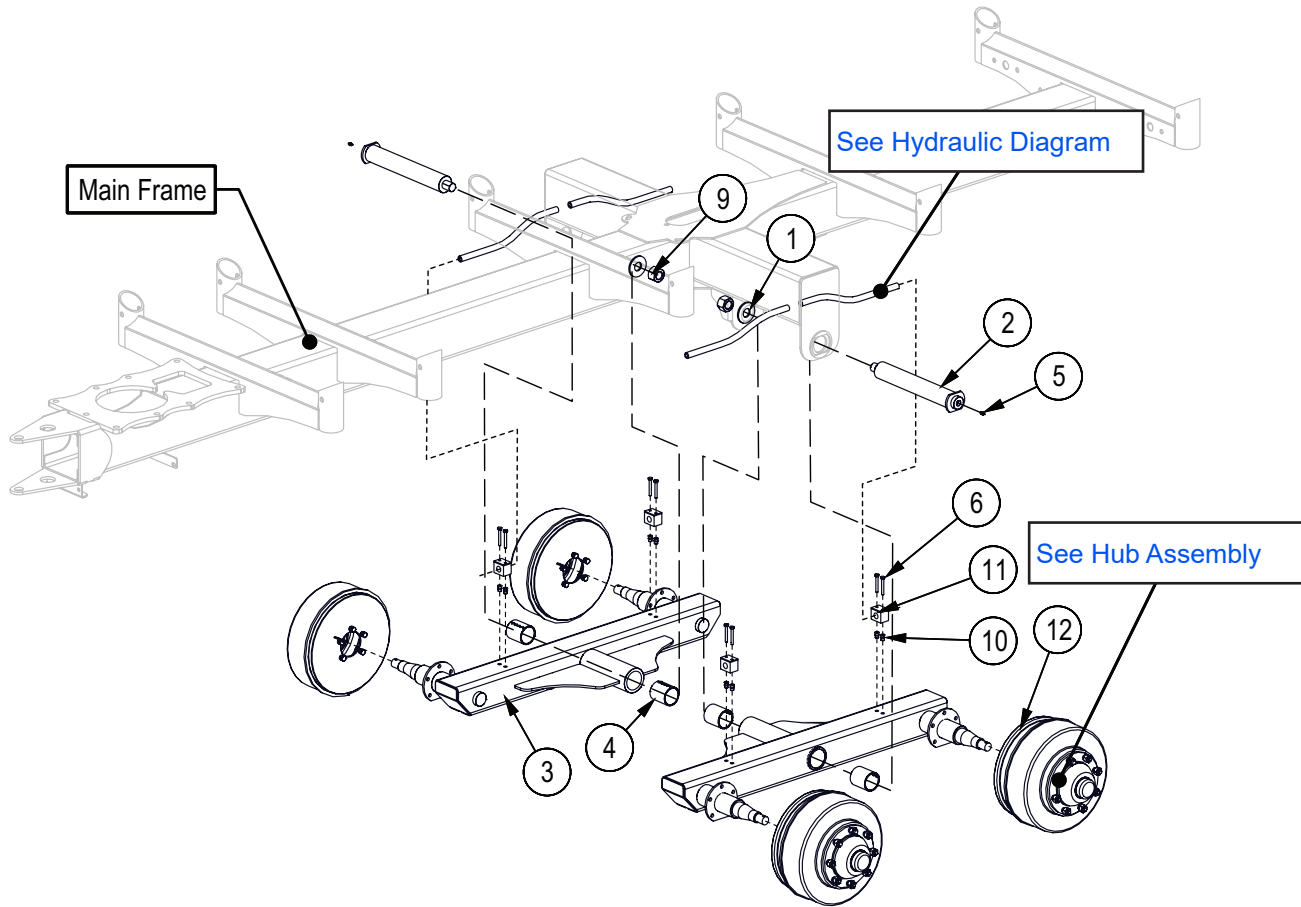
Item No.	Part No.	Description	Qty
1	6052L247	Washer, Axle Pivot	2
2	6052W652	Rocker Axle	2
3	6052W657	Pin, Axle Main	2
4	Z27251	Connex Bushing, 2" ID x 2-1/2" Long x 1/8" Wall	4
5	Z29202	Grease Fitting, 1/4NF	2
6	Z72292G8	Hex Lock Nut, 1-14NF G8	2
7	Z91213	Idler Hub Assy, 5000lbs x 6on6"	4

Hub Assembly Detail – LT60H



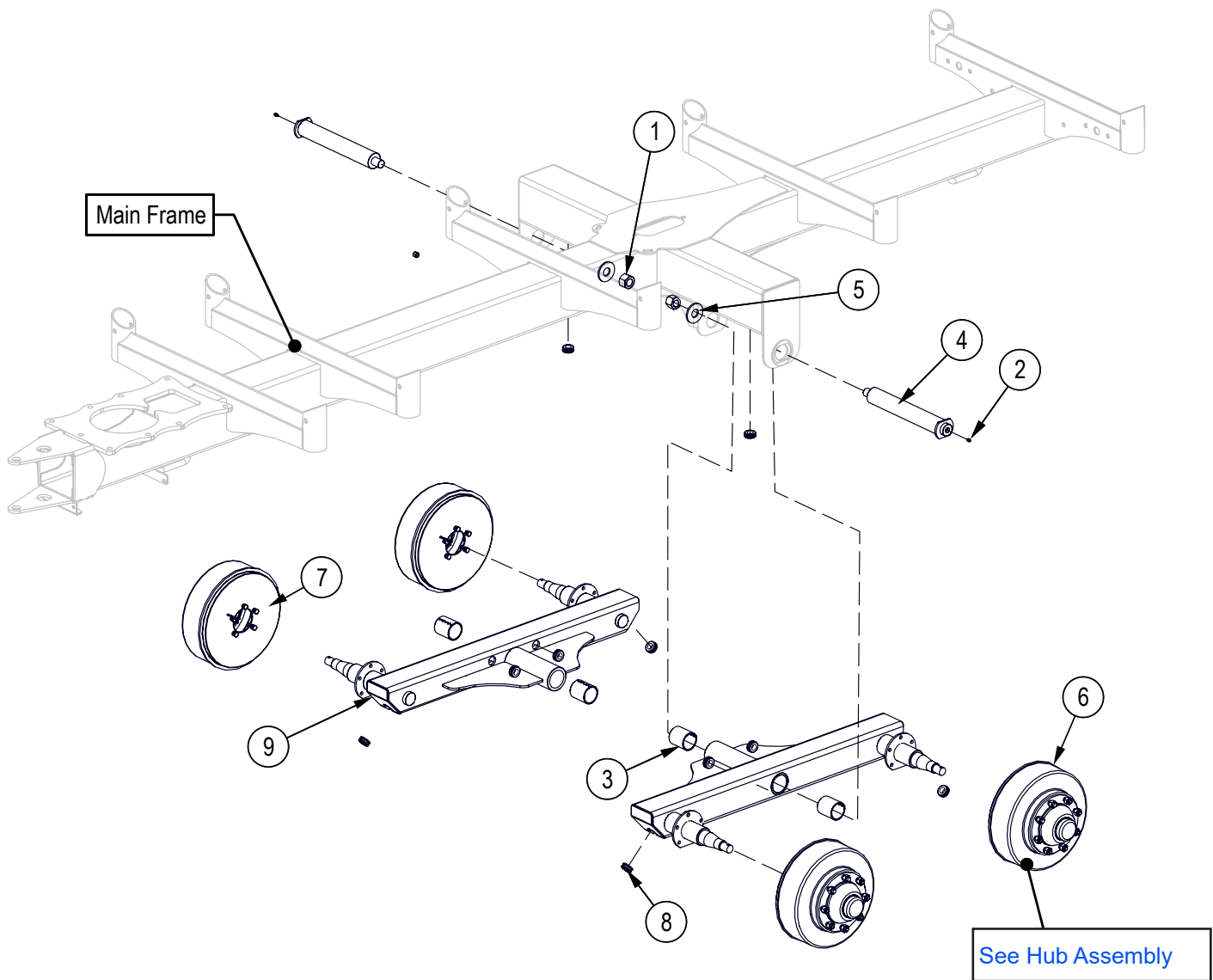
Item No.	Part No.	Description	Qty
1	Z71310	Hex Bolt, 3/8NC x 1"	5
2	Z72231	Hex Lock Nut, 3/8NC	5

Axle Assembly – LT60H, S/N 2E9US1119FS060052 – 2E9US1119FS060083



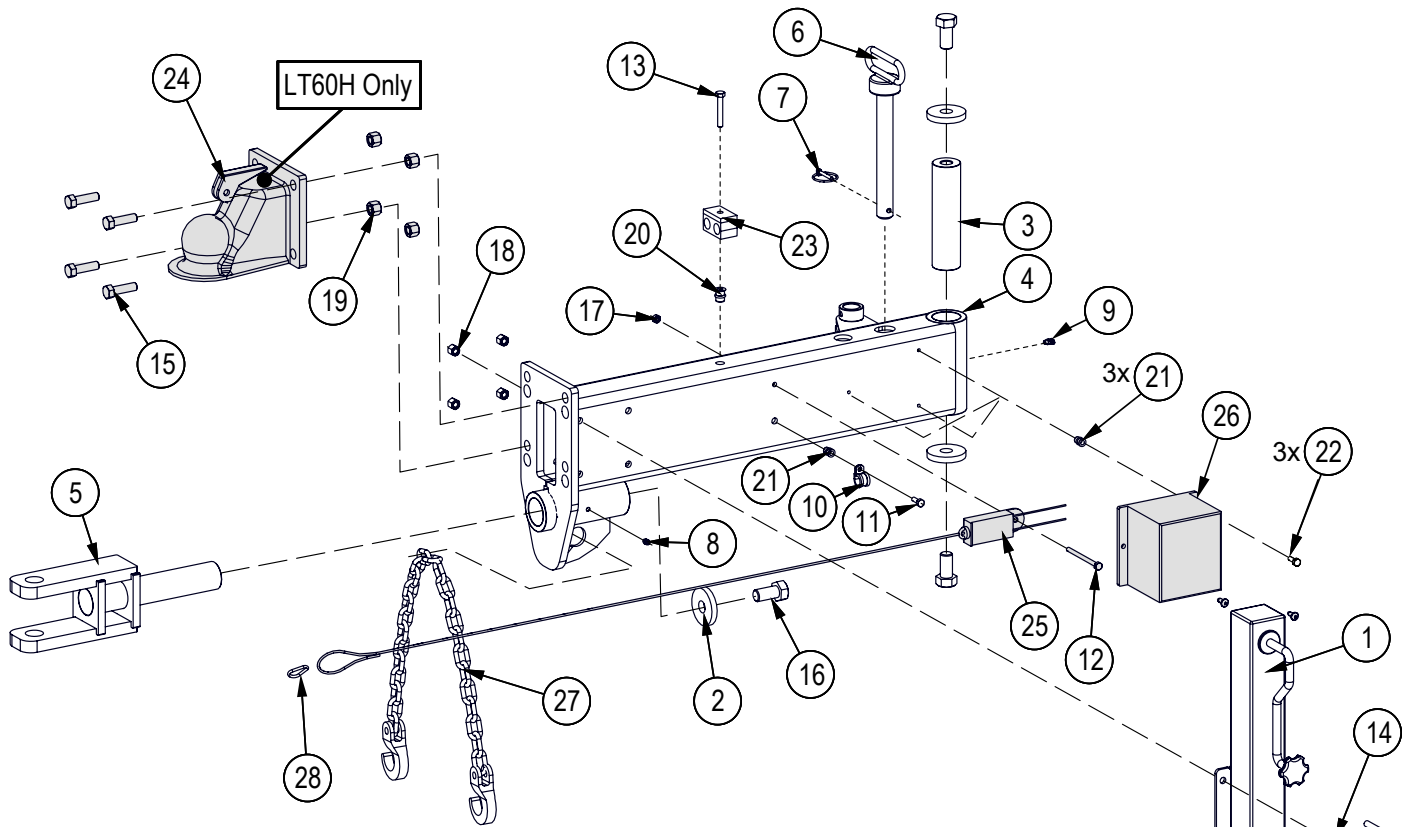
Item No.	Part No.	Description	Qty
1	6052L247	Washer, Axle Pivot	2
2	6052W657	Pin, Axle Main	2
3	6089W370	Highway Rocker Axle	2
4	Z27251	Connex Bushing, 2" ID x 2-1/2" Long x 1/8" Wall	4
5	Z29202	Grease Fitting, 1/4NF	2
6	Z71120	Hex Bolt, 1/4NC x 2"	8
7	Z71310	Hex Bolt, 3/8NC x 1"	20
8	Z72231	Hex Lock Nut, 3/8NC	20
9	Z72292G8	Hex Lock Nut, 1-14NF G8	2
10	Z72962	Rivet Nut, 1/4NC x 260	8
11	Z79454	Single Hose Clamp, 11/16" OD	4
12	Z91702	Electric Brake, 12" x 2" x 3500lbs LH	2

Axle Assembly – LT60H, S/N 2E9US1119FS060084 & Up



Item No.	Part No.	Description	Qty
1	Z72292G8	Hex Lock Nut, 1-14NF G8	2
2	Z29202	Grease Fitting, 1/4NF	2
3	Z27251	Connex Bushing, 2" ID x 2-1/2" Long x 1/8" Wall	4
4	6052W657	Pin, Axle Main	2
5	6052L247	Washer, Axle Pivot	2
6	Z91702	Electric Brake, 12" x 2" x 3500lbs LH	2
7	Z91712	Electric Brake, 12" x 2" x 3500lbs RH	2
8	Z62818	Rubber Grommet, 3/4" x 3/16"	10
9	6089W370	Highway Rocker Axle	2

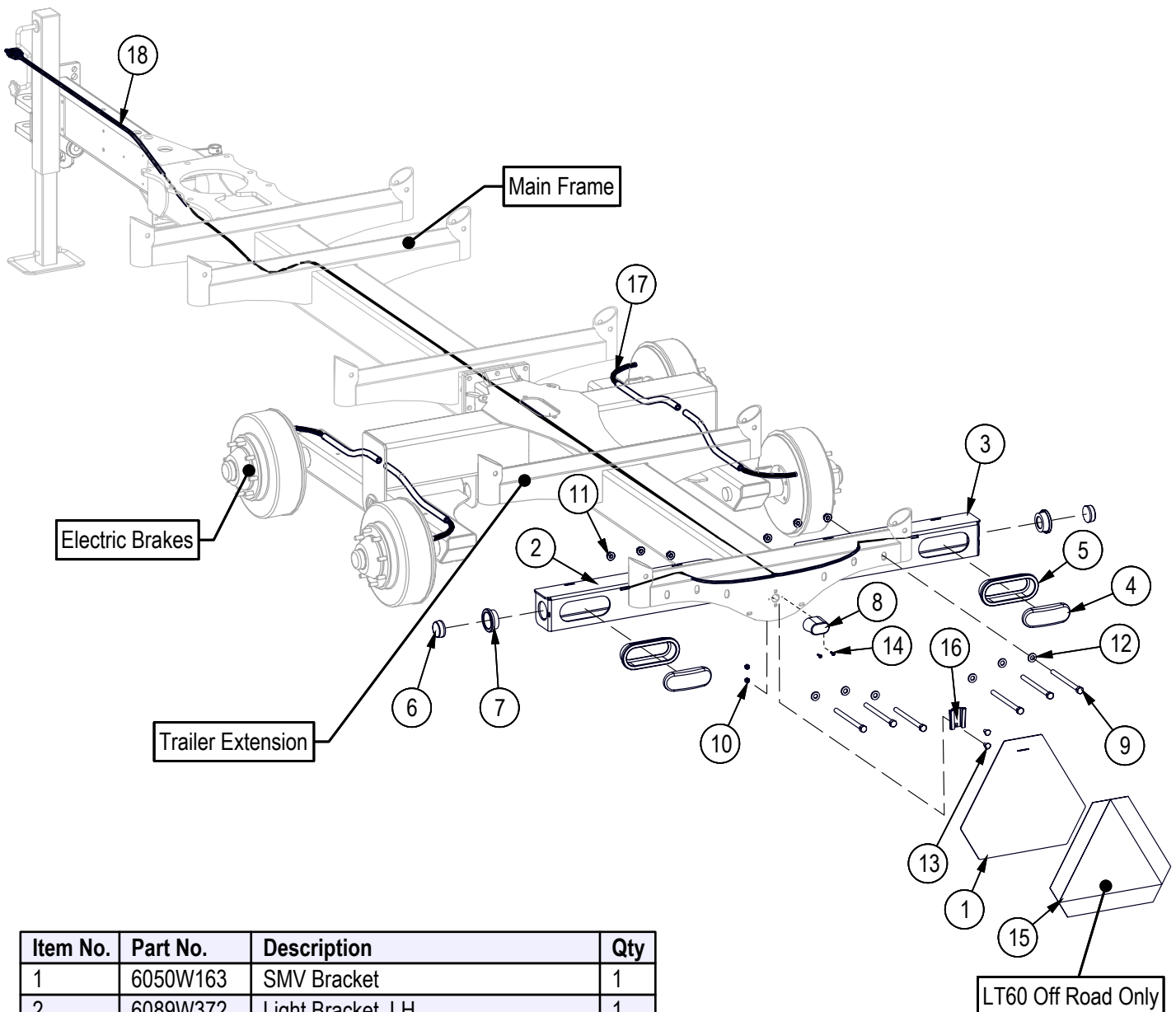
Tongue Assembly



Item No.	Part No.	Description	Qty
1	2071W116	Drop Leg Jack Assembly	1
2	6052L227	Washer, Hitch Capture	3
3	6052M215	Pin, Tongue Pivot	1
4	6052W667	Tongue	1
5	6052W668	Hitch	1
6	Z11263	Hitch Pin, 1" x 7-1/2"	1
7	Z12110	Lynch Pin, 3/16"	1
8	Z29202	Grease Fitting, 1/4NF	1
9	Z29203	Elbow 90 Grease Fitting, 1/4NF	1
10	Z62819	Rubberized Wire Clamp, 1/2"	1
11	Z71107	Hex Bolt, 1/4NC x 3/4"	1
12	Z71135	Hex Bolt, 1/4NC x 3-1/2"	1
13	Z71220	Hex Bolt, 5/16NC x 2"	1
14	Z71337	Hex Bolt, 3/8NC x 3-3/4"	4
15	Z71622	Hex Bolt 5/8" NC x 2-1/4"	4
16	Z71782	Hex Bolt, 3/4NF x 1-1/2"	3
17	Z72111	Hex Nut, 1/4NC	1
18	Z72231	Hex Lock Nut, 3/8NC	4
19	Z72261	Hex Lock Nut, 5/8NC	4
20	Z72957	Rivet Nut, 5/16NC x 312	1
21	Z72962	Rivet Nut, 1/4NC x 260	4
22	Z71110	Hex Bolt, 1/4NC x 1"	3
23	Z79463	Double Hose Clamp, 11/16" OD	1
24	Z91618	Hitch Coupler, 2-5/16" Ball x 12000lbs	1
25	Z91726-1	Breakaway Safety Switch for Z91726	1
26	Z91726-2	Battery Pack for Z91726	1
27	Z92309	Safety Chain, 1/4" x 5ft Heavy Duty w/2 Grab Hooks	1
28	Z92303-2	Safety Snap, 3-5/8" x 293lbs	1

ECN0419

Wiring Harness – LT60H



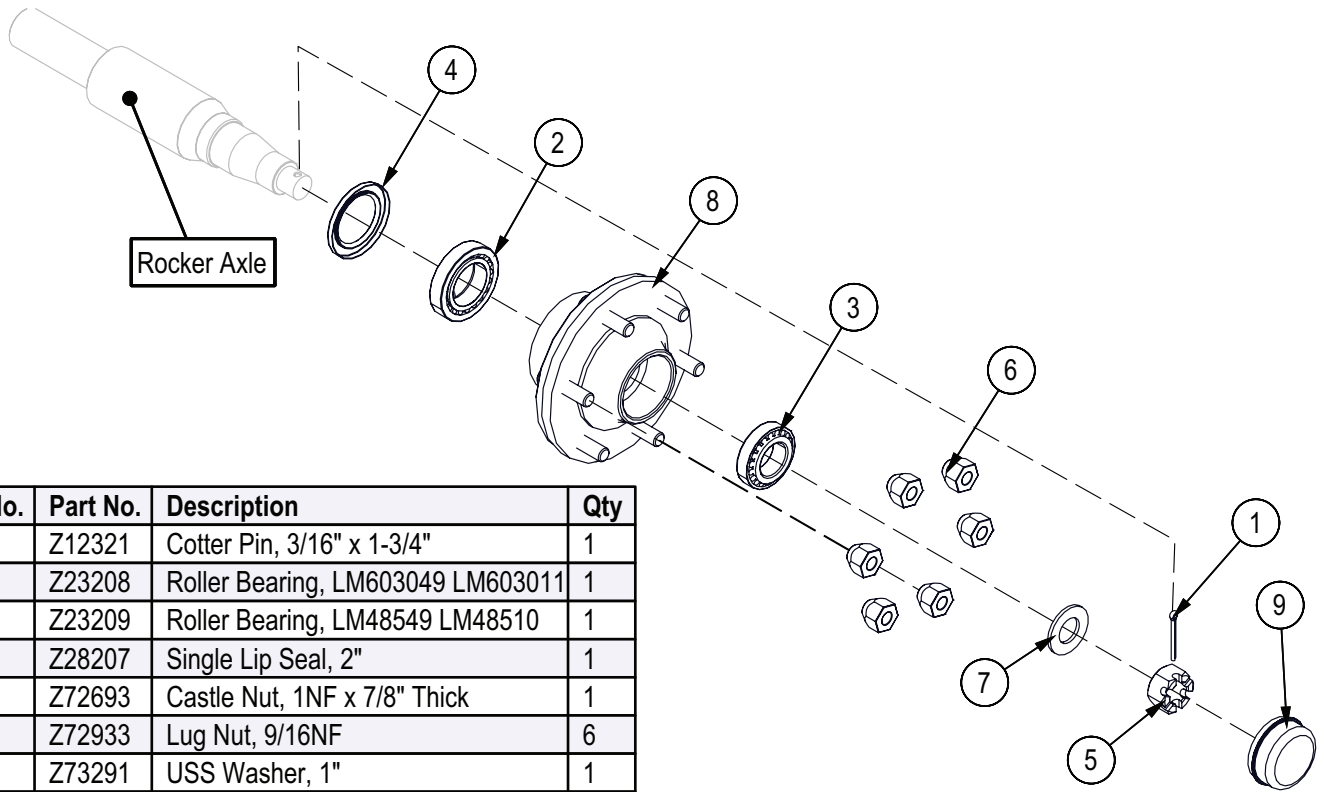
Item No.	Part No.	Description	Qty
1	6050W163	SMV Bracket	1
2	6089W372	Light Bracket, LH	1
3	6089W372H	Light Bracket, RH	1
4	Z61102	STT Lamp, Oval	2
5	Z61103	Grommet, Oval x Open Back	2
6	Z61201	Marker Lamp, Round x Red	2
7	Z61202	Grommet, Round x Open Back	2
8	Z61301	License Lamp, White	1
9	Z71568	Hex Bolt, 1/2NC x 7"	6
10	Z72121	Hex Nut, 5/16NC	2
11	Z72551	Serrated Flange Locknut, 1/2NC	6
12	Z73151	SAE Washer, 1/2"	6
13	Z76221	Carriage Bolt, 5/16NC x 3/4"	2
14	Z76712	Self-tapping Screw, #10 x 3/4"	2
15	Z94601	Decal, SMV	1
16	Z96603	SMV Socket	1
17	Z62825	Corrugated Split Loom, 3/8 ID x 1/2"	4
18	Z62112	Harness, LT60 Lights	1

IMPORTANT! When assembling or replacing wire harnesses, apply a thin coating of silicone dielectric grease to the harness connectors.

Clean off any corrosion or loose particles, then apply a small amount to the surfaces of the connectors where they meet. The grease helps to stop any possibility of future corrosion.

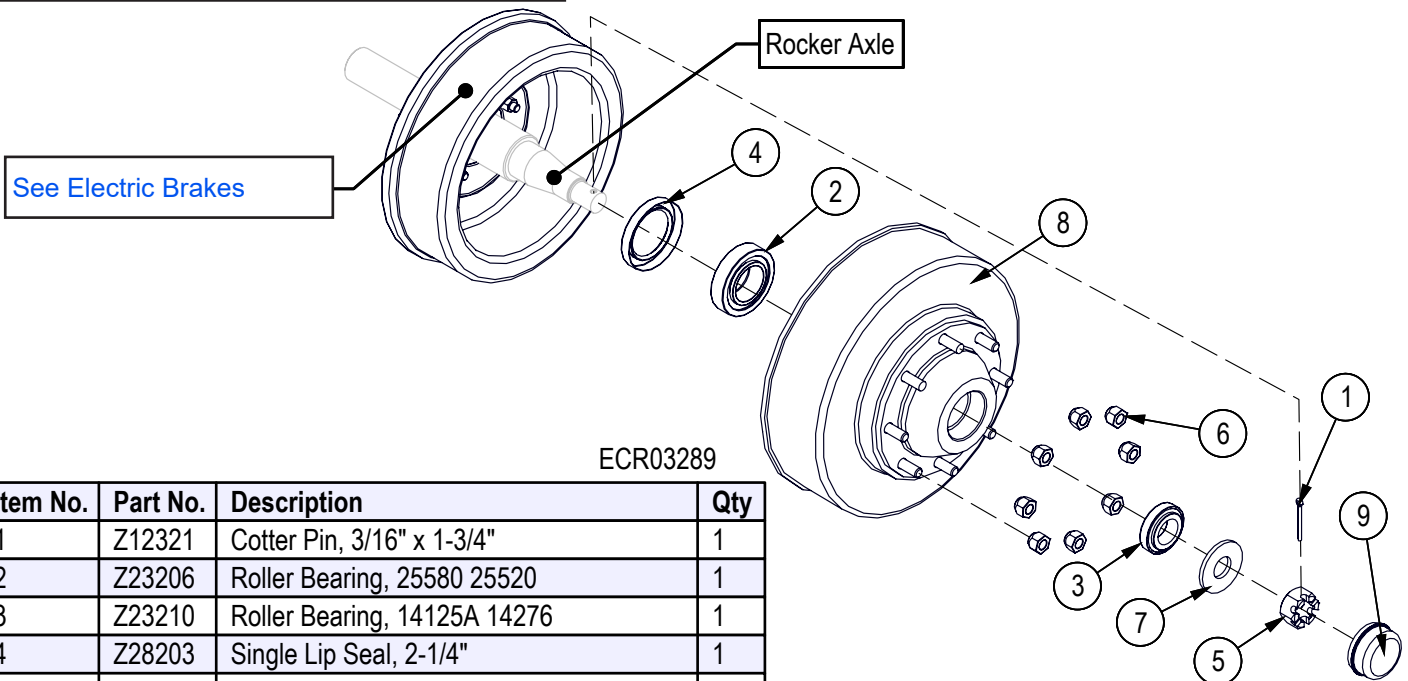
Reassemble the connection. Wipe off any grease that squeezes out.

Hub Assembly Detail – LT60



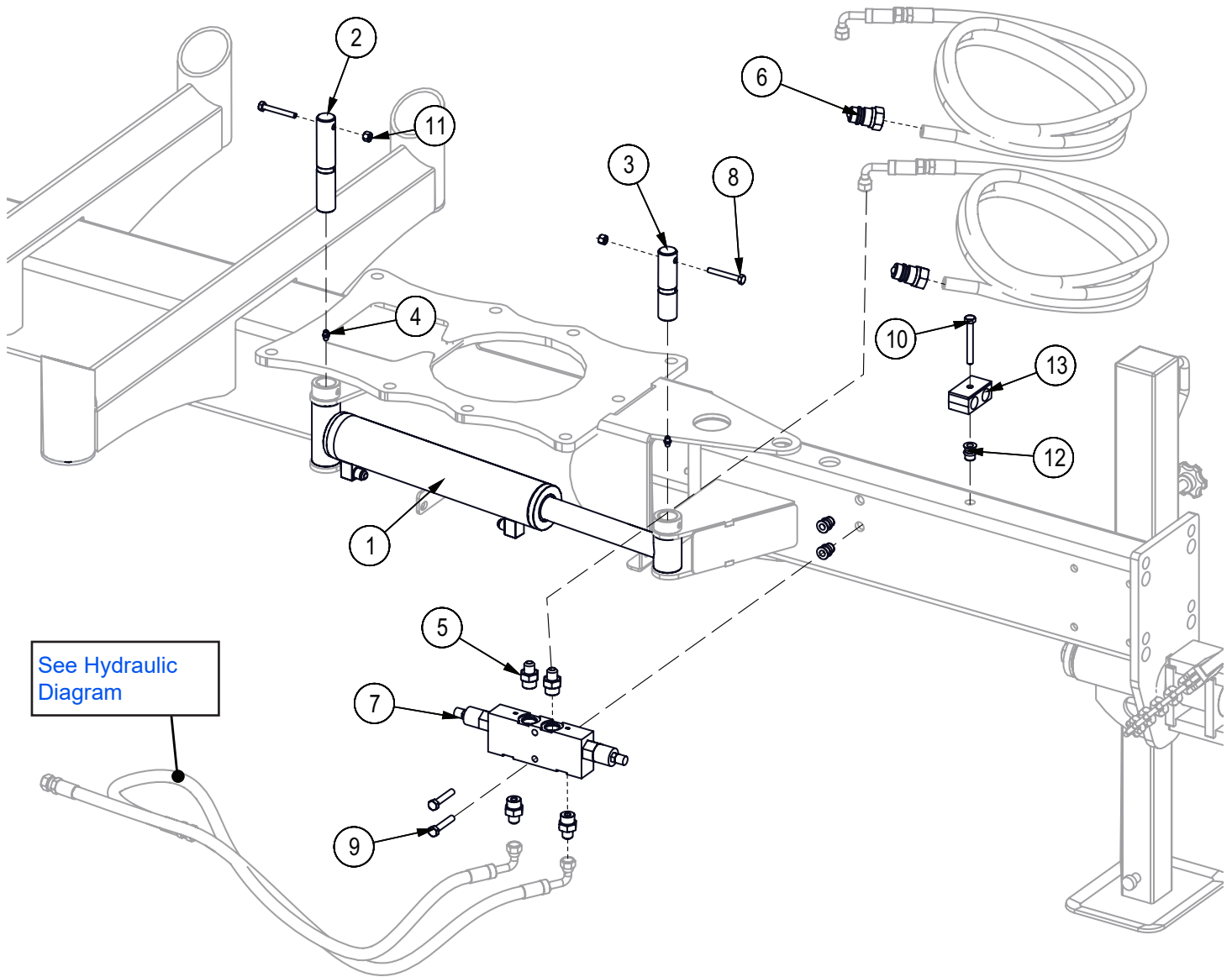
Item No.	Part No.	Description	Qty
1	Z12321	Cotter Pin, 3/16" x 1-3/4"	1
2	Z23208	Roller Bearing, LM603049 LM603011	1
3	Z23209	Roller Bearing, LM48549 LM48510	1
4	Z28207	Single Lip Seal, 2"	1
5	Z72693	Castle Nut, 1NF x 7/8" Thick	1
6	Z72933	Lug Nut, 9/16NF	6
7	Z73291	USS Washer, 1"	1
8	Z91212	Hub, 5000lbs 6on6"	1
9	Z91807	Dust Cap 2.56 Bore	1

Brake Drum Assembly Detail – LT60H



Item No.	Part No.	Description	Qty
1	Z12321	Cotter Pin, 3/16" x 1-3/4"	1
2	Z23206	Roller Bearing, 25580 25520	1
3	Z23210	Roller Bearing, 14125A 14276	1
4	Z28203	Single Lip Seal, 2-1/4"	1
5	Z72693	Castle Nut, 1NF x 7/8" Thick	1
6	Z72931	Lug Nut, 1/2NF	8
7	Z73291	USS Washer, 1"	1
8	Z91710	Brake Drum, 12" x 3500lbs 8on6-1/2" Drum	1
9	Z91808	Dust Cap, 2.70 Bore	1

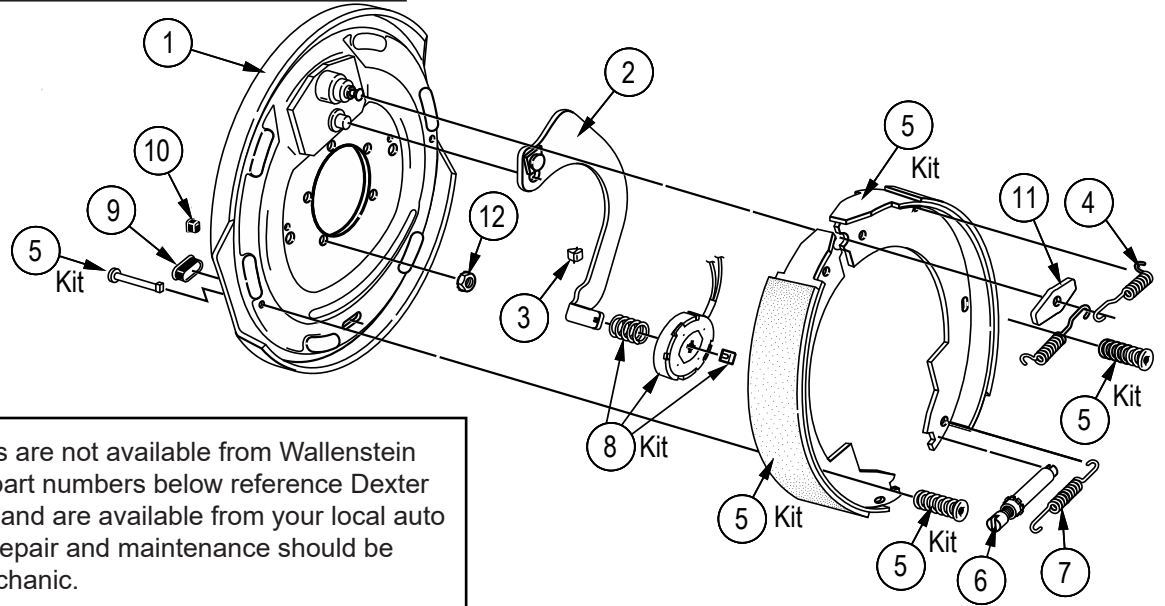
Hydraulic Drawbar Option



See Hydraulic Diagram

Item No.	Part No.	Description	Qty
1	3011C104	Cylinder, 2" x 9-3/4" Stroke	1
2	6083M350	Pin, Cylinder Mount Long	1
3	6083M351	Pin, Cylinder Mount Short	1
4	Z29202	Grease Zerk 1/4NF	2
5	Z51644	#8ORB x #6JIC	4
6	Z51926	FP08 x Pioneer Coupler	2
7	Z56106	Dual Counterbalance Valve in Body	1
8	Z71120	Hex Bolt, 1/4NC x 2"	2
9	Z71217	Hex Bolt, 5/16NC x 1-3/4"	2
10	Z71225	Hex Bolt, 5/16NC x 2-1/2"	1
11	Z72211	Hex Lock Nut, 1/4NC	2
12	Z72957	Riv-Nut 5/16NC x 312	3
13	Z79463	Double Hose Clamp, 11/16" OD	1

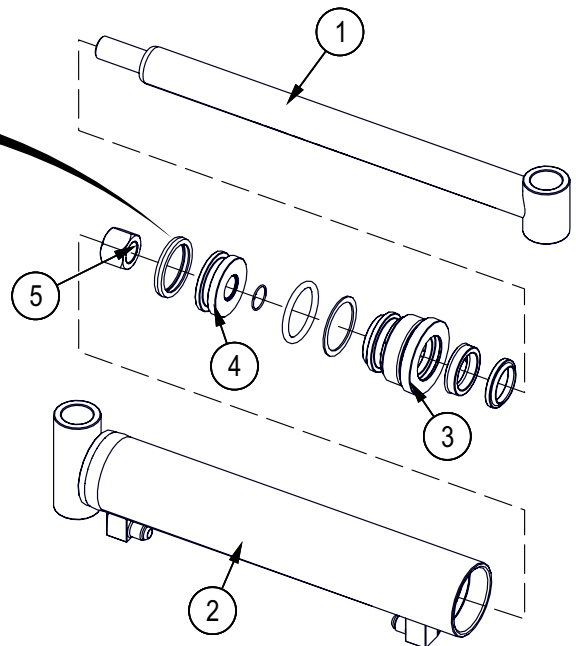
Electric Brake Assembly Detail – LT60H



Please note brake parts are not available from Wallenstein Equipment Inc. Brake part numbers below reference Dexter Axle brake assemblies and are available from your local auto parts dealer. All brake repair and maintenance should be done by a qualified mechanic.

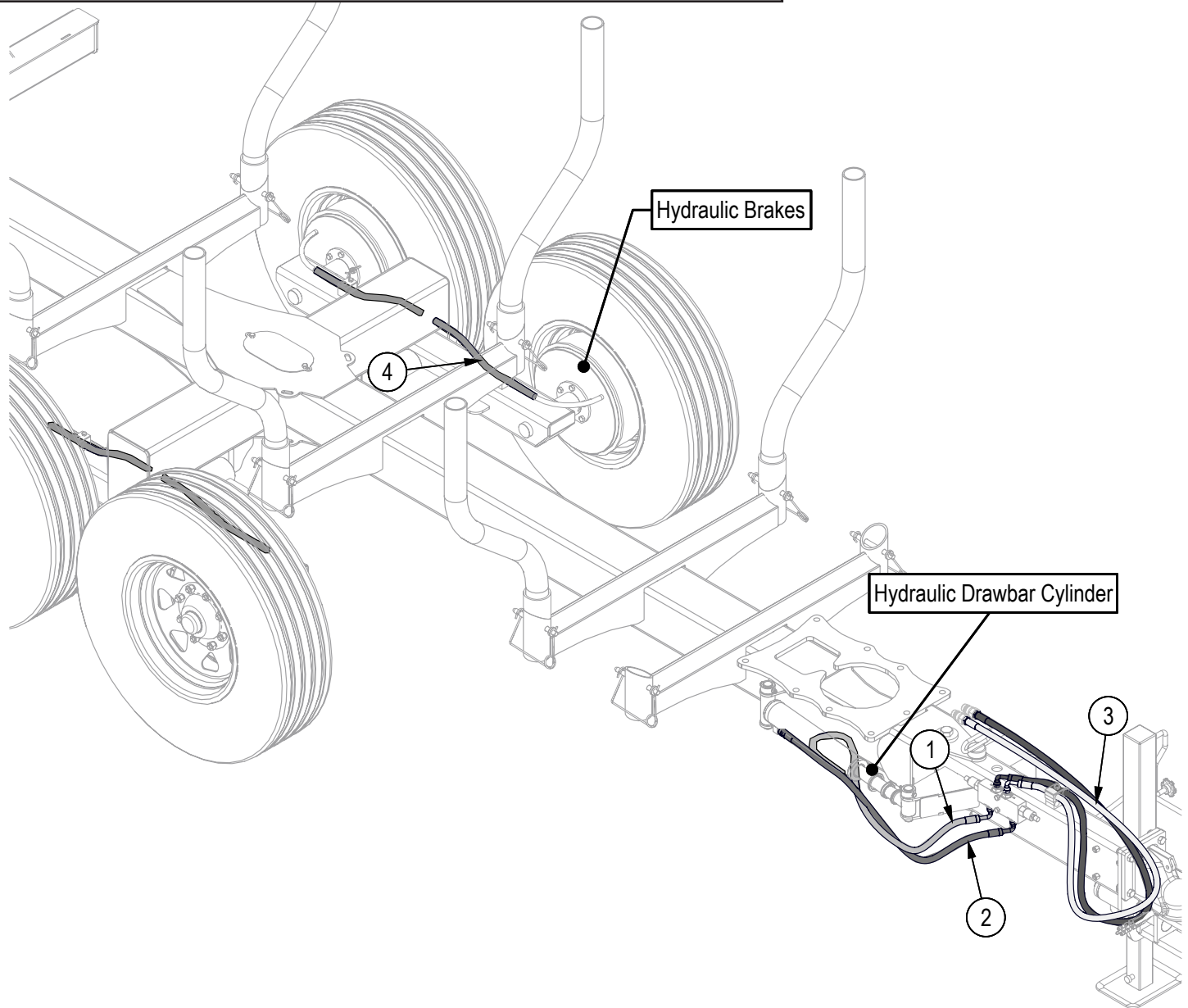
Item	Part No.	Description	Qty	Item	Part No.	Description	Qty
	Z91702	LH Complete Brake Assembly	1	10	K71-105-00	Magnet Kit Contains:	1
	Z91712	RH Complete Brake Assembly (shown)	1			Magnet (white wire)	1
1	036-089-10	Backing Plate Assembly	1			Magnet Clip	1
2	047-107-05	LH Actuating Lever Arm Assembly	1			Magnet Spring	1
2	047-108-05	RH Actuating Lever Arm Assembly	1	11	K71-048-00	Shoe & Lining Kit Contains:	1
3	027-005-00	Wire Clip	2			Primary Shoe & Lining	1
4	046-009-00	Retractor Spring	2			Secondary Shoe & Lining	1
5	043-004-00	Adjuster Assembly	1			Shoe Hold Down Pin #2	2
6	046-018-00	Adjusting Screw Spring	1			Shoe Hold Down Spring & Cup	2
7	046-007-00	Adjuster Slot Plug	2				
8	046-016-00	Wire Grommet	1				
9	005-067-00	Anchor Post Washer	1				

Hydraulic Drawbar Cylinder Detail



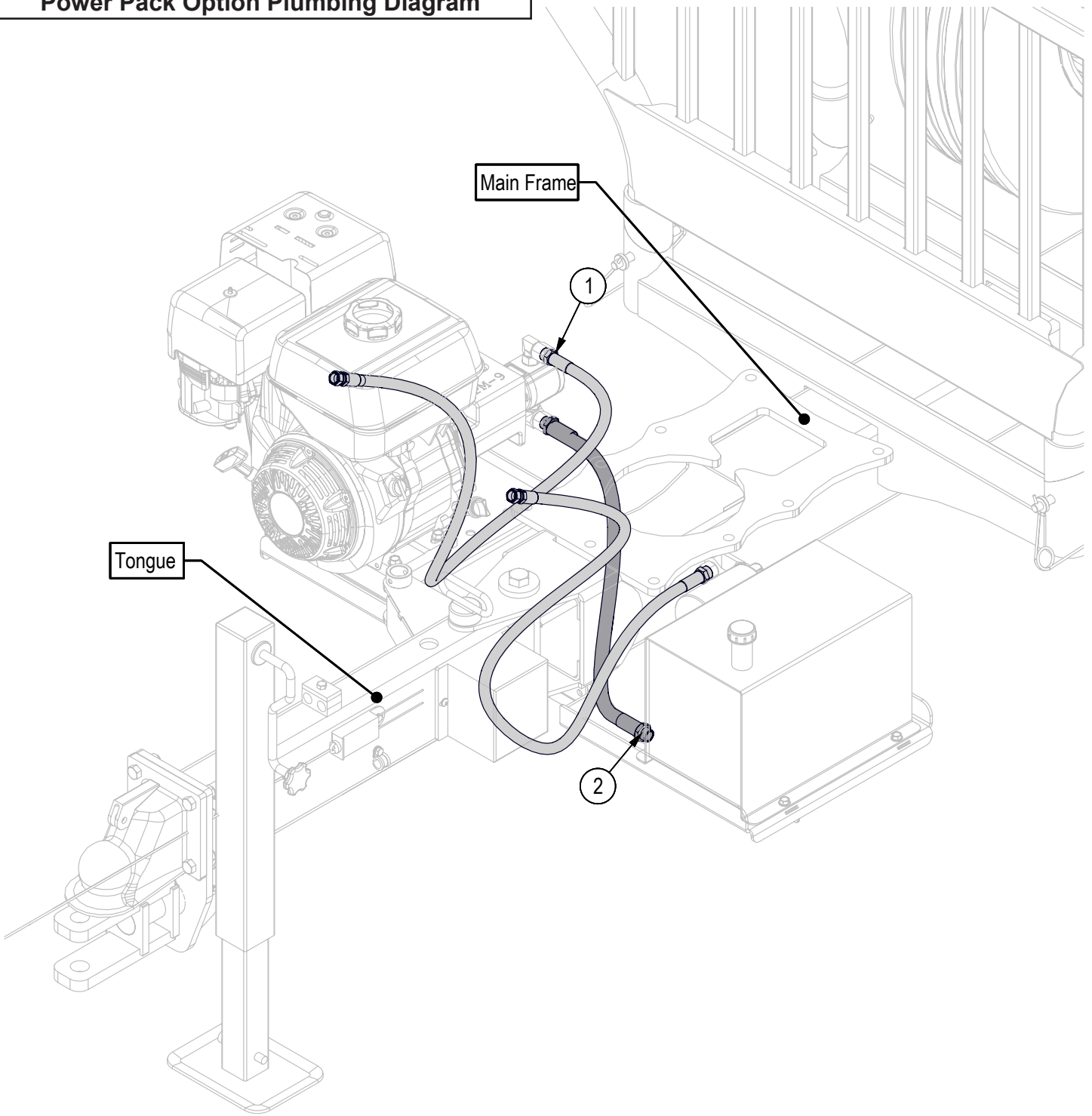
Item No.	Part No.	Description	Qty
1	3011C1043	Rod, 1-1/4	1
2	3011C1044	Barrel, 2" Bore	1
3	G200-125S	2" X 1 1/4" Gland	1
4	P750-200SP	2' Bore Piston	1
5	Z72272G8	Hex Lock Nut 3/4NF G8	1

Hydraulic Brakes and Drawbar Plumbing Diagram – LT60H



Item No.	Part No.	Description	Qty
1	Z52218	3/8" Hose, FJIC06 x 90FJIC06 x 39"	1
2	Z52270	3/8" Hose, FJIC06 x 90FJIC06 x 34"	1
3	Z52271	3/8" Hose, 90FJIC06 x MP08 x 60"	2
4	6089S350	3/8" Hydraulic Hose, 16" LG.	4

Power Pack Option Plumbing Diagram

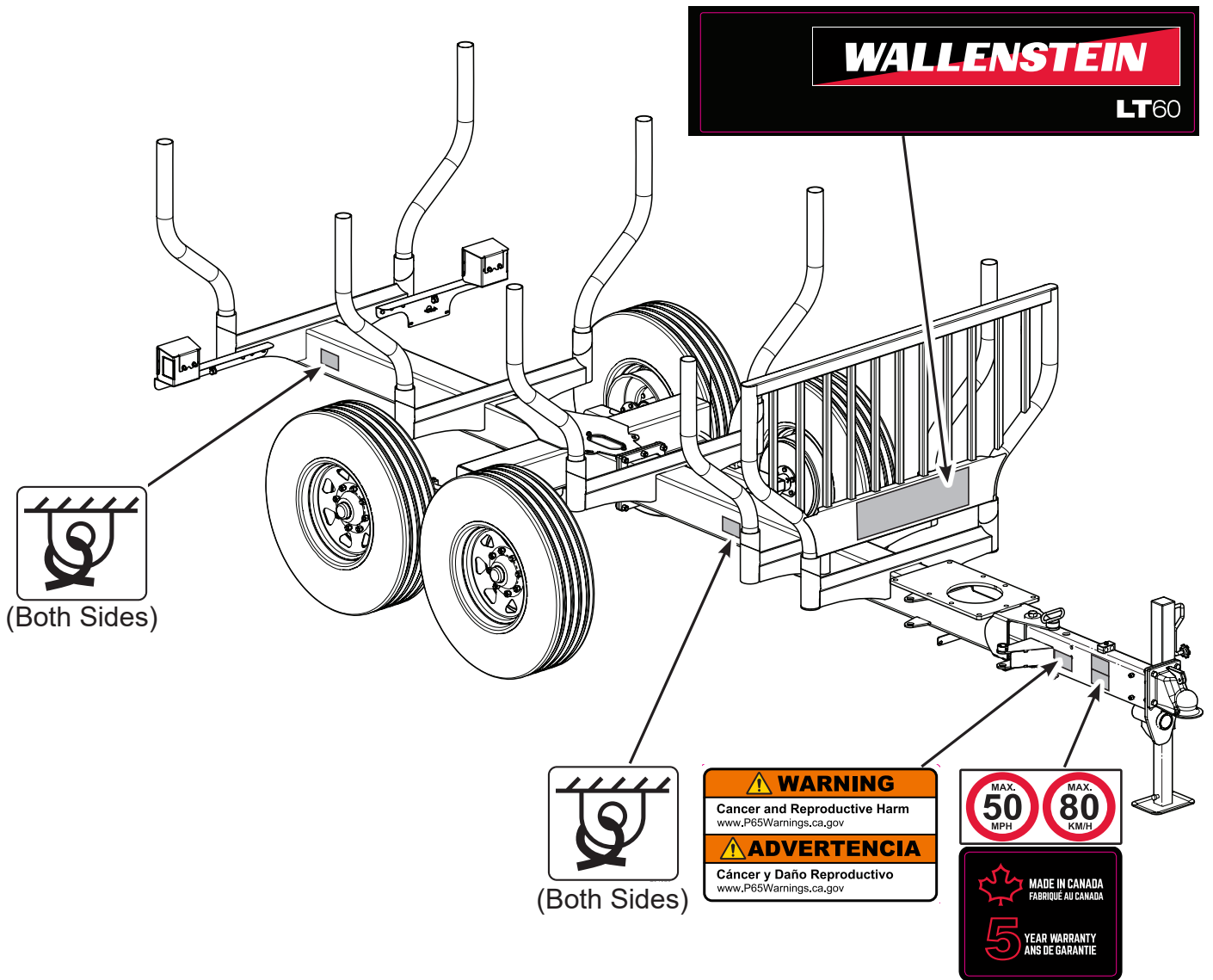


Item No.	Part No.	Description	Qty
1	Z52260	3/8" Hose, FJIC06 x MP08 x 48"	2
2	Z52347	1/2" Hose, MP08 x MP08 x 30"	1

Decal Layout

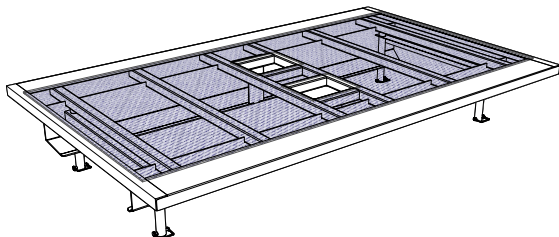
IMPORTANT! If parts are replaced that have safety signs on them, new signs must be applied. Safety signs must always be replaced if they become damaged, are removed, or become illegible.

Safety signs are included in the product decal kit available from your authorized dealer. Decals are not available separately.



Accessories

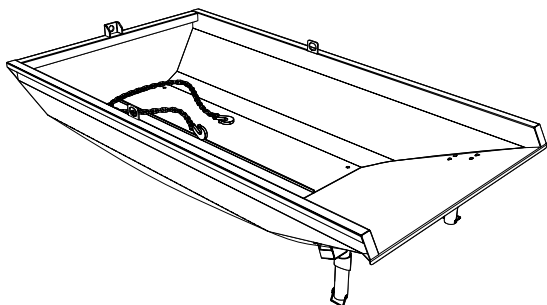
Call your dealer for pricing and availability



LT60 Expanded Metal Flat bed – P/N L630

Transporting material and equipment made easy. Simply drop on this flat bed and you're set to go!

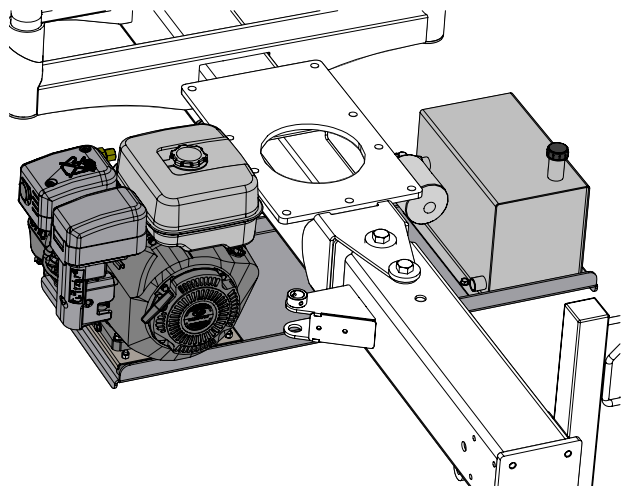
LT60 trailer L630 has a 10.6 ft x 5.8 ft (321 cm x 179 cm) cargo bed.



LT60 DUMP BOX – P/N L620

Load, transport and easily dump your loads. Made for use with the back hoe kit.

The L620 holds 45.9 ft³ (1.3 m³). Each dump box comes complete with a 6 ft (1.8 m) chain used for dumping.



LX115 POWER PACK – P/N L601

Independently power your LX grapple: the L601 for LX115 features a 9HP Subaru engine. Power packs include hydraulic pump and 4.6 US gal (17.5 L) reservoir.


Common Bolt Torque Values

Checking Bolt Torque

The tables shown give correct torque values for various bolts and capscrews. Tighten all bolts to the torque values specified in the table, unless indicated otherwise. Check tightness of bolts periodically.

IMPORTANT! If replacing hardware, use fasteners of the same grade.

IMPORTANT! Torque figures indicated in the table are for non-greased or non-oiled threads. Do not grease or oil threads unless indicated otherwise. When using a thread locker, increase torque values by 5%.

 **NOTE:** Bolt grades are identified by their head markings.

Imperial Bolt Torque Specifications

Bolt Diameter	Torque Value					
	SAE Gr. 2		SAE Gr. 5		SAE Gr. 8	
	lbf•ft	N•m	lbf•ft	N•m	lbf•ft	N•m
1/4"	6	8	9	12	12	17
5/16"	10	13	19	25	27	36
3/8"	20	27	33	45	45	63
7/16"	30	41	53	72	75	100
1/2"	45	61	80	110	115	155
9/16"	60	95	115	155	165	220
5/8"	95	128	160	215	220	305
3/4"	165	225	290	390	400	540
7/8"	170	230	420	570	650	880
1"	225	345	630	850	970	1320



SAE Gr. 2



SAE Gr. 5



SAE Gr. 8

Metric Bolt Torque Specifications

Bolt Diameter	Torque Value			
	Gr. 8.8		Gr. 10.9	
	lbf•ft	N•m	lbf•ft	N•m
M3	0.4	0.5	1.3	1.8
M4	2.2	3	3.3	4.5
M6	7	10	11	15
M8	18	25	26	35
M10	37	50	52	70
M12	66	90	92	125
M14	83	112	116	158
M16	166	225	229	310
M20	321	435	450	610
M30	1,103	1 495	1,550	2 100



8.8



10.9

Hydraulic Fitting Torque Values

Tightening Flare Type Tube Fittings

1. Check flare and flare seat for defects that might cause leakage.
2. Align tube with fitting before tightening.
3. Hand-tighten swivel nut until snug.
4. To prevent twisting the tube, use two wrenches. Place one wrench on the connector body and tighten the swivel nut with the second. Torque to values shown.

If a torque wrench is not available, use the FFFT (Flats From Finger Tight) method.

Hydraulic Fitting Torque					
Tube Size OD	Hex Size Across Flats	Torque value		Flats From Finger Tight	
		lbf•ft	N•m	Flats	Turns
3/16	7/16	6	8	2	1/6
1/4	9/16	11–12	15–17	2	1/6
5/16	5/8	14–16	19–22	2	1/6
3/8	11/16	20–22	27–30	1-1/4	1/6
1/2	7/8	44–48	59–65	1	1/6
5/8	1	50–58	68–79	1	1/6
3/4	1-1/4	79–88	107–119	1	1/8
1	1-5/8	117–125	158–170	1	1/8

Values shown are for non-lubricated connections.

Wheel Lug Torque Values

It is extremely important safety procedure to apply and maintain proper wheel mounting torque on your trailer axle. Torque wrenches are the best method to assure the proper amount of torque is being applied to a fastener.

Wheel lugs should be torqued before first road use and after each wheel removal. Check and re torque after the first 10 miles (16 km), 25 miles (40 km), and again at 50 miles (80 km). Check periodically thereafter.

NOTE: *Wheel lugs must be applied and maintained at the proper torque levels to prevent loose wheels, broken studs, and possible dangerous separation of wheels from your axle.*

- Start all lugs by hand to prevent cross threading.
- Tighten lugs in sequence, per wheel lug torque sequence chart.
- The tightening of the fasteners should be done in stages. Following the recommended sequence, tighten fasteners per wheel torque requirements chart.

Wheel Lug Nut Torque				
Wheel Size	Units	1st Stage	2nd Stage	3rd Stage
8"	lbf•ft N•m	12–20 16–26	30–35 39–45.5	45–55 58.5–71.5
12"	lbf•ft N•m	20–25 26–32.5	35–40 45.5–52	50–60 65–78
13"	lbf•ft N•m	20–25 26–32.5	35–40 45.5–52	50–60 65–78
14"	lbf•ft N•m	20–25 26–32.5	50–60 65–78	90–120 117–156
15"	lbf•ft N•m	20–25 26–32.5	50–60 65–78	90–120 117–156
16"	lbf•ft N•m	20–25 26–32.5	50–60 65–78	90–120 117–156

Wheel Lug Torque Pattern

