



WX980 Trailer Log Splitter Parts Manual

Prior to S/N 298089 (Standard)

Prior to S/N 2E9US111075031007 (Light Kit)



Foreword

EMB Mfg. has prepared this parts manual to assist customers in ordering quality OEM replacement parts.

Proper and regular service and replacing old, worn or broken parts with the correct Wallenstein parts are essential to prolonging the life of your Wallenstein product. Please refer to this manual before ordering any replacement parts.

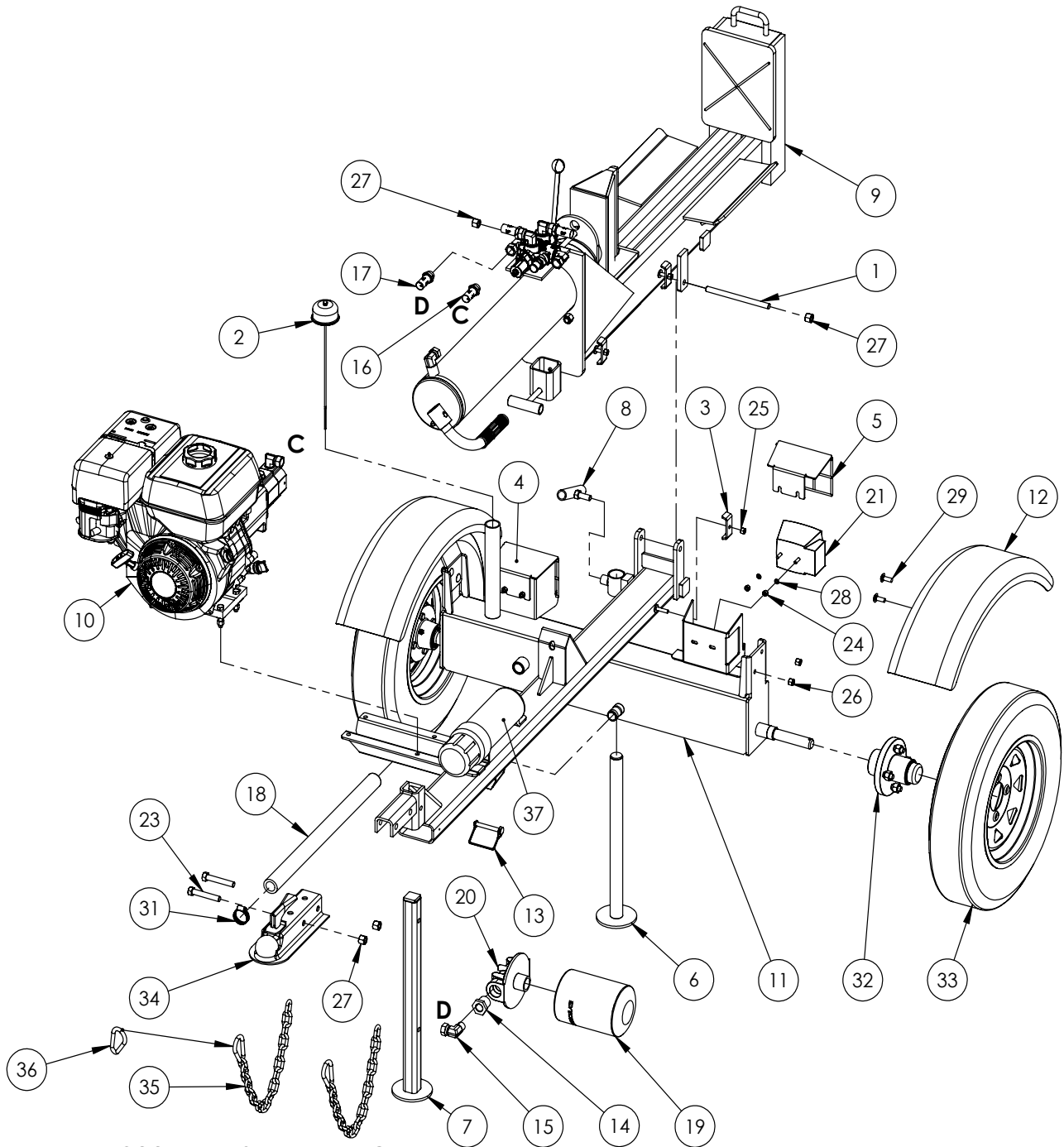
All information contained in this parts manual is based on the latest product specification available at the time of printing this manual. If your product differs from the specifications contained within this manual contact EMB Mfg. for information.

EMB reserves the right to alter specifications on their products at any time.

Reproduction of this parts manual of any kind is prohibited without prior written permission from EMB Mfg.

Table of Contents

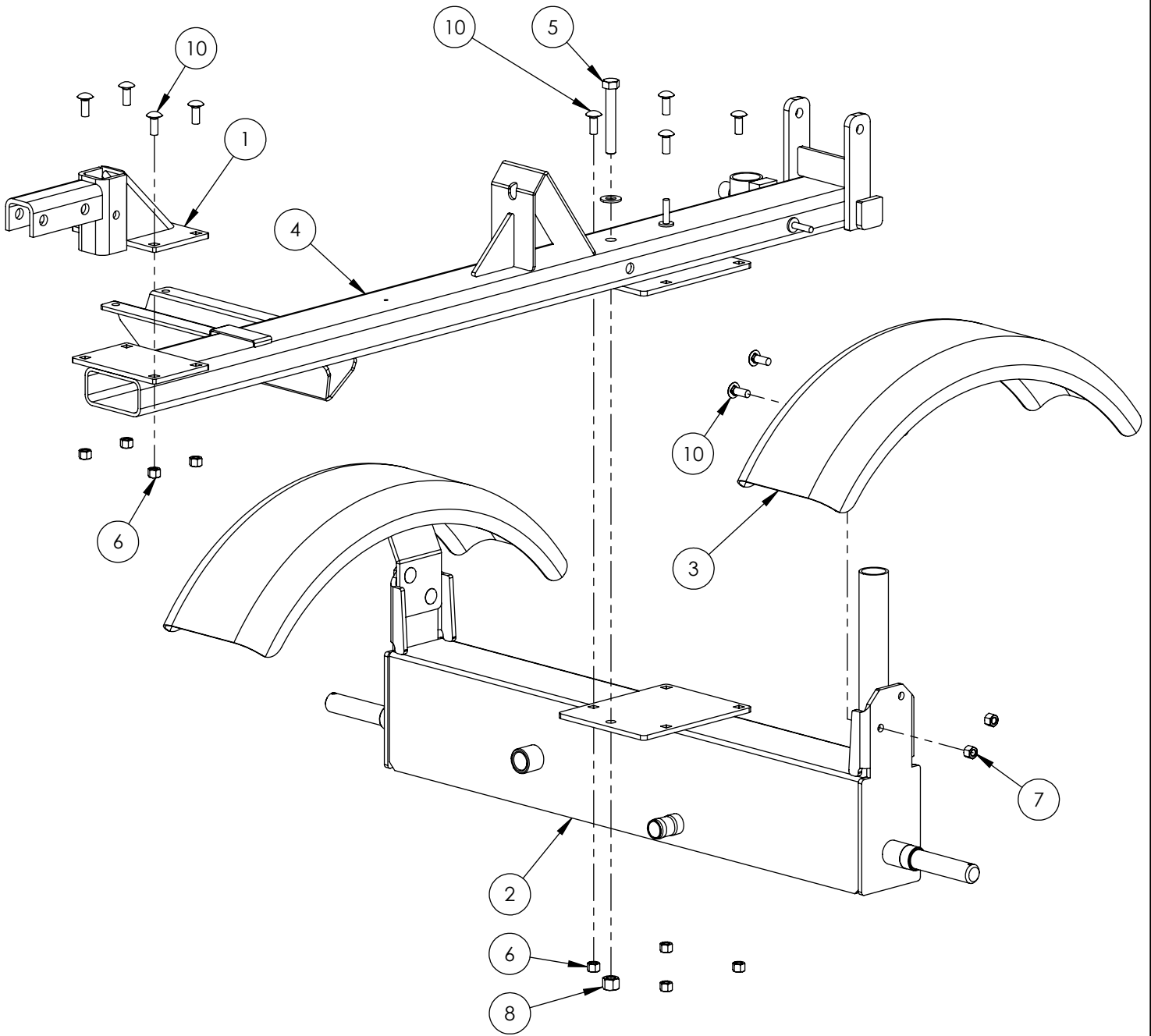
Main Parts	4
Valve & Fittings	6
Valve	7
Cylinder	8
Hub	9
Engine & Pump	9
Rotating Base	10
4-Way Wedge (Optional)	11
Light Kit (Optional)	12
Decal Breakdown	14



WX980 PARTS BREAKDOWN

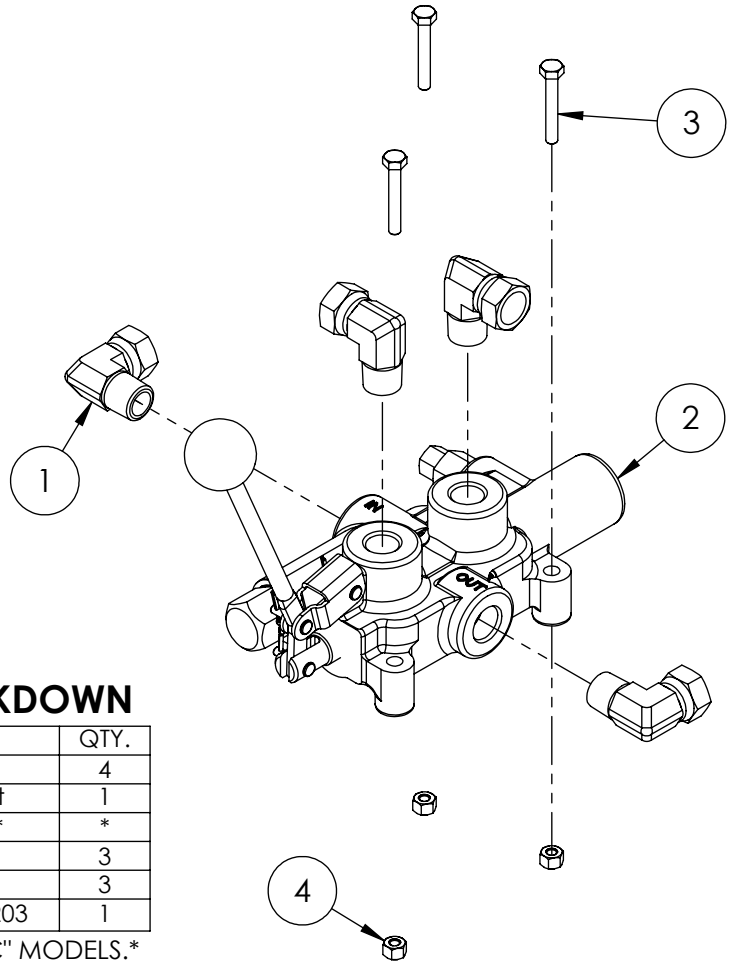
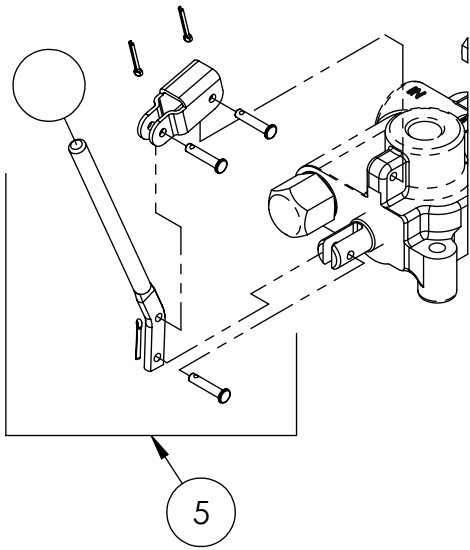
ITEM	PART NO.	DESCRIPTION	QTY
1	2016M602	Pin, Pivot Threaded	1
2	2054A402	Breather cap dipstick	1
3	2054L412	Clamp, Two Hose	1
4	2054W403	Light Guard, RH	1
5	2054W404	Light Guard, LH	1
6	2054W405	Jack Stand, Rear	1
7	2054W406	Jack Stand, Front	1
8	2054W407	Handle, Rear Jack Lock	1
9	2061A101	Assembly, Splitter Base	1
10	2061A103	Assy, 9hp Engine to 16gpm Pump	1
11	2061W102	Weldment, Main Base	1
12	2061W103	Weldment, Fender	2
13	Z12431	Snapper Pin 3/8 x 2-1/4	1
14	Z51223	Reducer, MP x FP 1608	1
15	Z51331	Elbow 90 MP x FPX 0808	1
16	Z52309	1/2 Hose, 1/2MPx1/2MPx 70"	1
17	Z52311	1/2 Hose, 1/2MPx1/2MPx 75"	1
18	Z52405	Suction Hose, 1" x 22"	1
19	Z55303	Oil Filter - 1" - Particulate	1
20	Z55304	Filter Cap, FP16 x FP16	1

ITEM	PART NO.	DESCRIPTION	QTY
21	Z61106	Stop, Turn, Tail Light LH	1
22	Z61107	Stop, Turn, Tail Light RH	1
23	Z71530	Hex Bolt 1/2NC x 3	2
24	Z72111	Hex Lock Nut 1/4NC	4
25	Z72221	Hex Lock Nut 5/16NC	1
26	Z72231	Hex Lock Nut 3/8NC	4
27	Z72251	Hex Lock Nut 1/2NC	4
28	Z73431	Tooth Washer, 1/4	4
29	Z76231	Carriage Bolt 3/8NC x 1	4
30	Z76712	Self-tapping Screw #10	1
31	Z79401	Hose Clamp, #16	2
32	Z91202	Assembly, 1000# 4-Bolt Hub	2
33	Z91302	5.30-12 LRB SportTrail 4 Spoked	2
34	Z91614	2" Hitch Coupler	1
35	Z92303	Safety Chain 1/4 x 2'	2
36	Z92303-2	Safety Snap	2
37	Z96503	Manual Tube 3-1/2 Short	1



2061A104 PARTS BREAKDOWN

ITEM	PART NO.	DESCRIPTION	QTY
1	2054W604	Weldment, Hitch Mount	1
2	2061W102	Weldment, Main Base	1
3	2061W103	Weldment, Fender	2
4	2061W104	Weldment, WX980 Tongue	1
5	Z71535	Hex Bolt 1/2NC x 3-1/2	1
6	Z72231	Hex Lock Nut 3/8NC	8
7	Z72231	Hex Lock Nut 3/8NC	4
8	Z72251	Hex Lock Nut 1/2NC	1
9	Z73151	Flat Washer, 1/2	1
10	Z76231	Carriage Bolt 3/8NC x 1	12

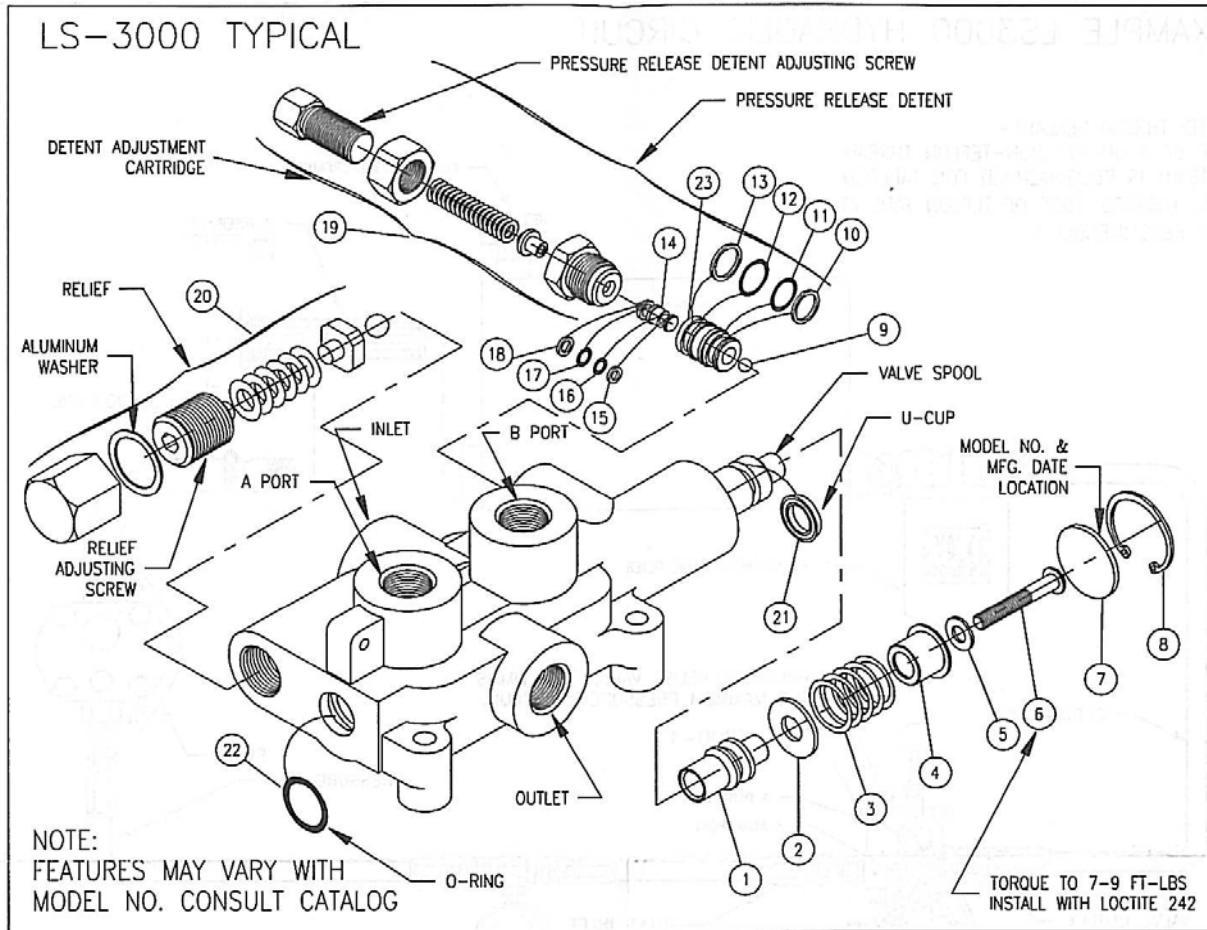


VALVE AND FITTINGS PARTS BREAKDOWN

ITEM	PART NO.	Description	QTY.
1	Z51331	Elbow 90 MP x FPX 0808	4
2	Z56203	Ctrl Valve, Single w/ Detent	1
	Z56208	*Ctrl Valve, Closed Center*	*
3	Z71117	Hex Bolt, 1/4NC x 1-3/4	3
4	Z72111	Hex Lock Nut 1/4NC	3
5	Z56911	Complete Handle Kit for Z56203	1

CLOSED CENTER VALVE REQUIRED FOR "C" MODELS.

Z56203 Valve Breakdown



PLEASE NOTE:
BEFORE REMOVING VALVE SPOOL OR SPOOL SLEEVE REMOVE DETENT ADJUSTING CART., DETENT PISTON AND STEEL BALL. INSTALL SPOOL AND SPOOL SLEEVE BEFORE REINSTALLING STEEL BALL.

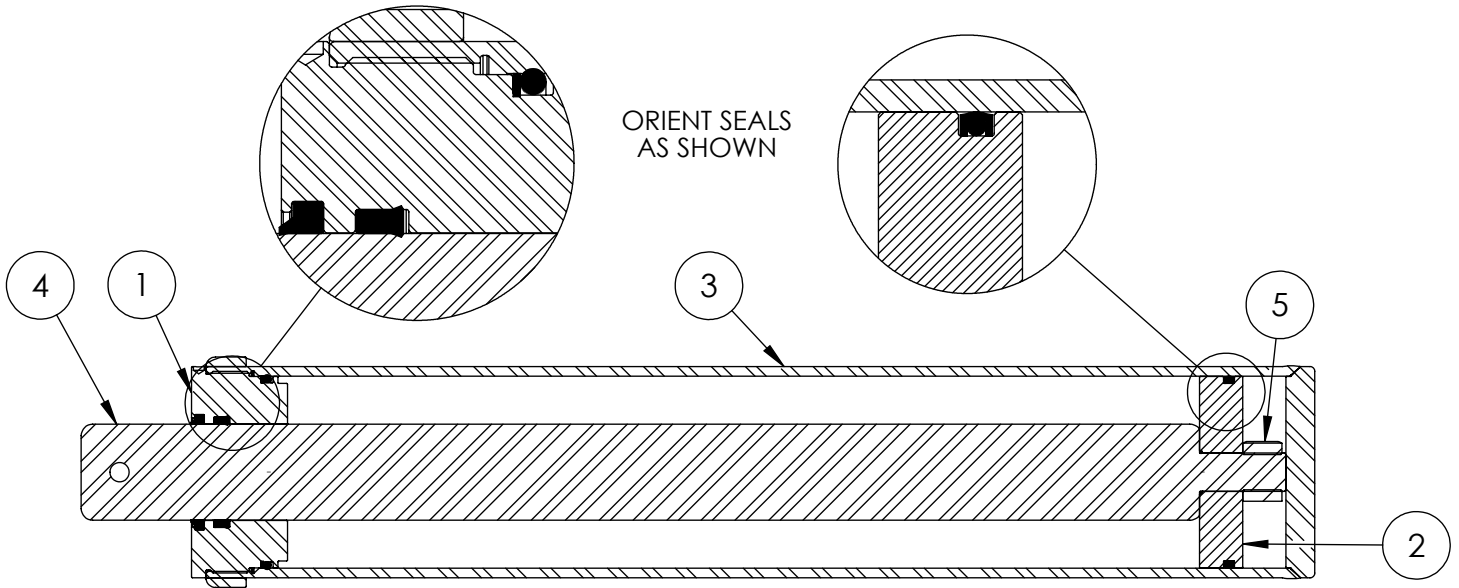
PRESSURE RELEASE DETENT
This feature provides a pressure release detent for the spool 'out' (handle in) position. When the spool is manually placed in the 'detent' position oil is directed to the 'B' work port (the port away from the handle). When the pressure in the 'B' port reaches a preset level the detent will release and the spool will center. The factory setting is 1400 psi. The detent release pressure is adjustable by loosening the jam nut and turning the adjusting screw. Turning the adjusting screw clockwise will increase the detent release pressure and counterclockwise will decrease the detent release pressure. NOTE: if the detent release pressure is set too high the spool will not center, if the pressure is too low the detent will not hold. If cap screw item 6 becomes loose detent will not function properly.

RELIEF VALVE
An adjustable ball spring relief valve is standard on all LS-3000 valves. The standard factory setting is 2250 psi @ 3 gpm and 120°F. Other settings can be specified. The relief pressure is adjusted by removing acorn nut, and turning the adjusting screw. Turning the adjusting screw clockwise will increase the pressure and counterclockwise will decrease the pressure (a pressure gauge must be installed in the inlet line whenever the relief pressure is adjusted). Do not backout adjusting screw to the point it falls out.

⚠ WARNING: OVERPRESSURE MAY CAUSE SUDDEN AND UNEXPECTED FAILURE OF A COMPONENT IN THE HYDRAULIC SYSTEM RESULTING IN SERIOUS PERSONAL INJURY. ALWAYS USE A GAUGE WHEN ADJUSTING A RELIEF VALVE.

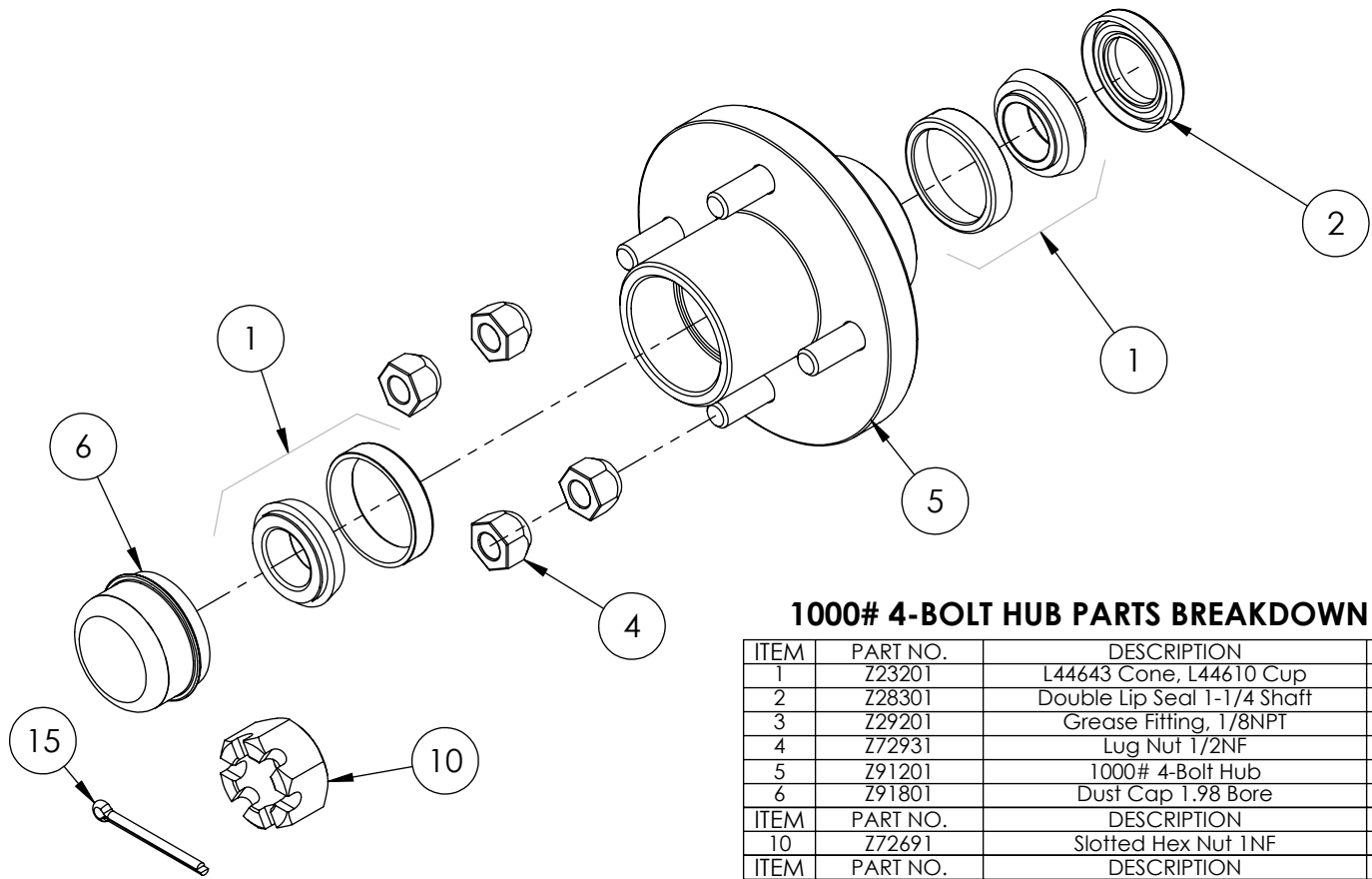
LS-3000 KITS AND CARTRIDGES

ITEM	QTY	PART NO.	DESCRIPTION
1	1	670700019	DETENT SLEEVE
2	1	670500033	WASHER
3	1	670300020	SPRING
4	1	671400010	STOP CUP
5	1	670500026	WASHER
6	1	22000953	CAP SCREW
7	1	670500032	SPACER
8	1	230001125	SNAP RING
9	1	230009009	STEEL BALL
10	1	240019013	BACK-UP WASHER
11	1	240000013	O-RING
12	1	240000014	O-RING
13	1	240019014	BACK-UP WASHER
14	1	671100011	PISTON
15	1	240019007	BACK-UP WASHER
16	1	240016067	O-RING
17	1	240016068	O-RING
18	1	240019008	BACK-UP WASHER
19	1	660330002	DETENT ADJUSTING CART.
20	1	660125004	RELIEF KIT
21	1	240016086	U-CUP
22	1	240000210	O-RING
23	1	671100012	PISTON SLEEVE
		660530001	LS-3000 SEAL KIT
		660125004	RELIEF KIT
		660330002	DETENT ADJUSTING CART.
		660130007	PRESSURE RELEASE DETENT KIT
		660130001	COMPLETE HANDLE KIT



5" x 24" STROKE CYLINDER PARTS

ITEM	PART NO.	Description	QTY.
1	G500-250SA	5" Bore x 2-1/2" Rod Gland With Seals	1
2	P100-500SA	5" Bore Piston With Seals	1
3	2015C5014	Barrel, 5"	1
4	2015C5012	Rod, 2-1/2x 1	1
5	Z72292G8	Hex Lock Nut 1NF Grade 8	1
6	SLK-5025	Seal Kit, 5 x 2-1/2	1

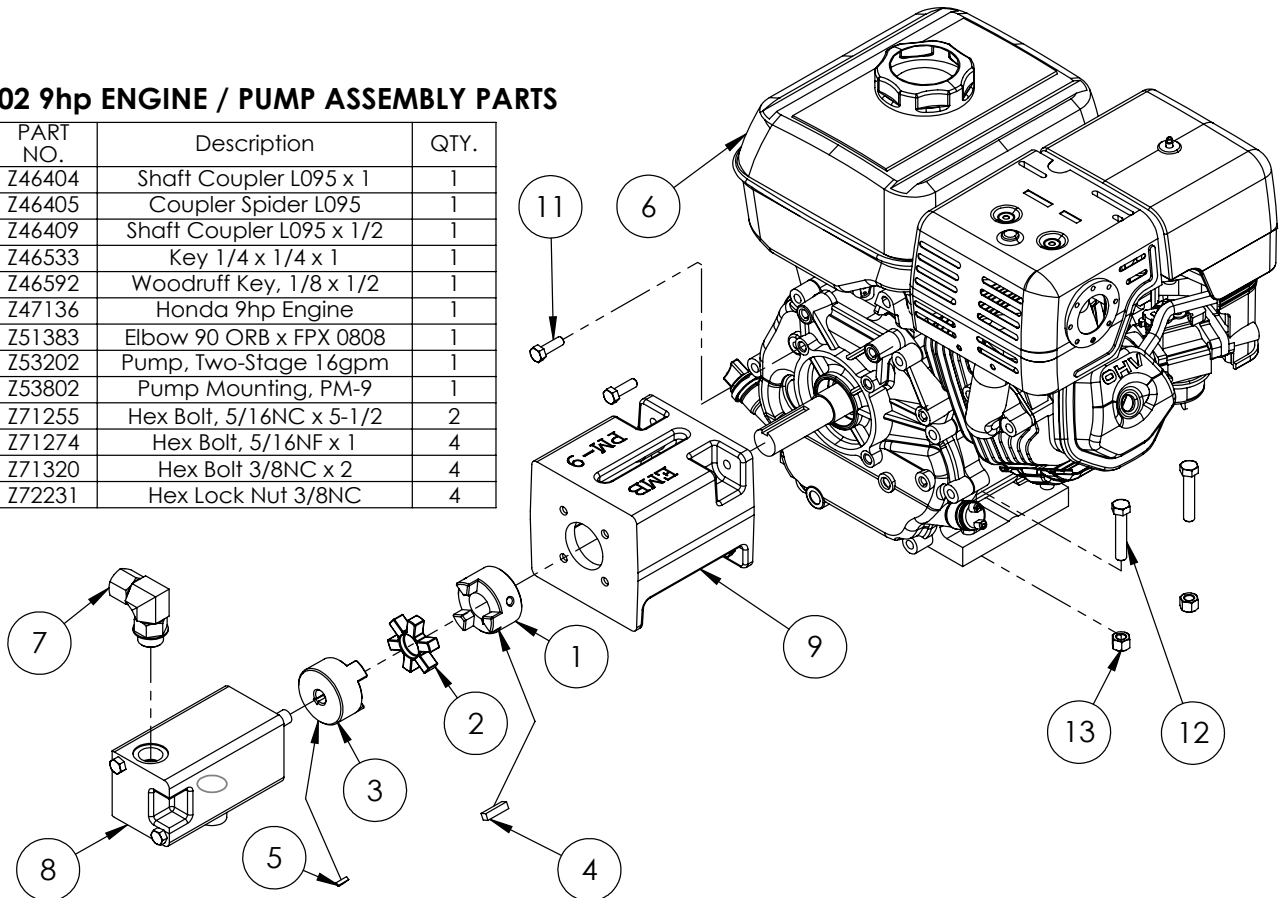


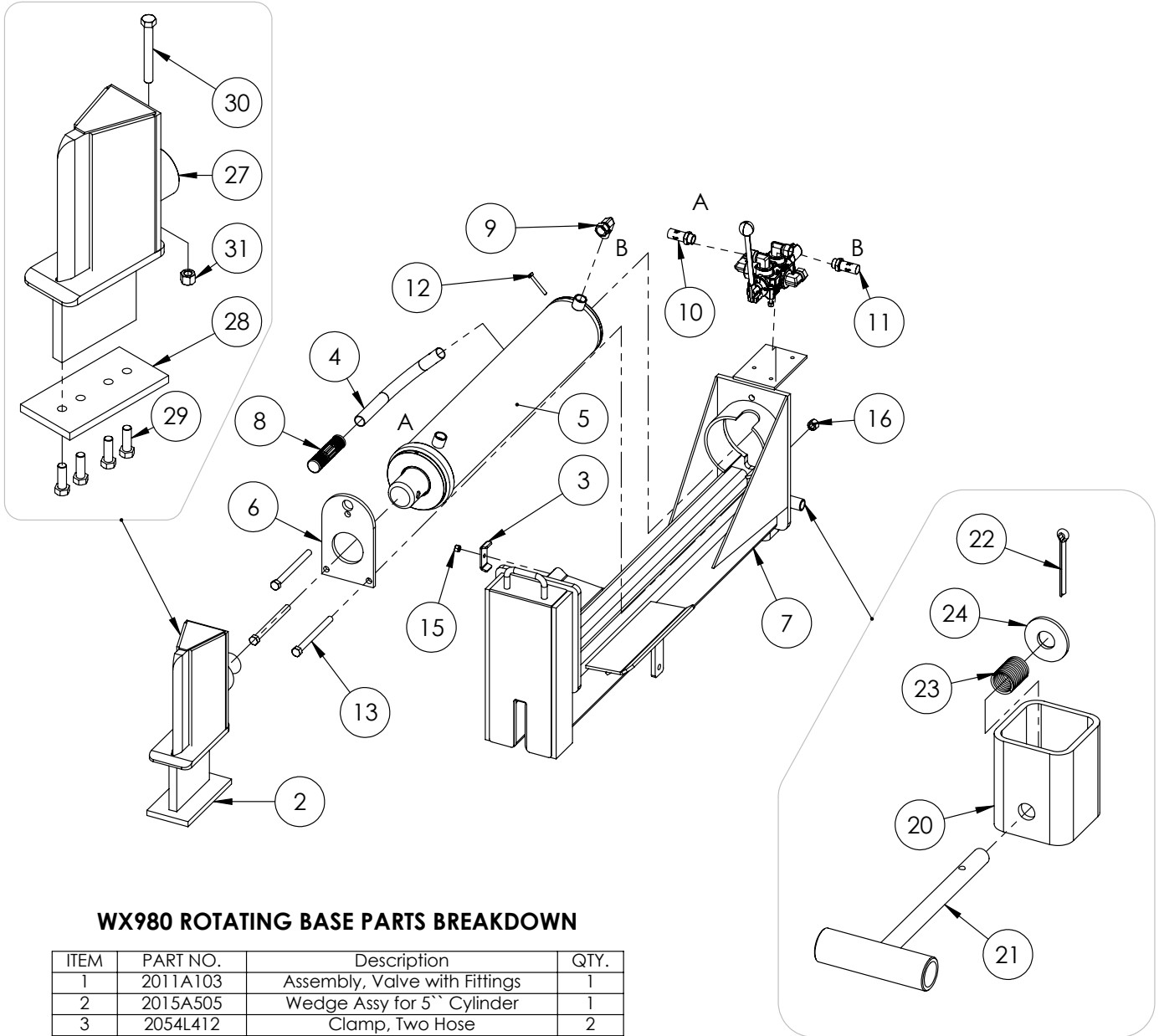
1000# 4-BOLT HUB PARTS BREAKDOWN

ITEM	PART NO.	DESCRIPTION	QTY
1	Z23201	L44643 Cone, L44610 Cup	2
2	Z28301	Double Lip Seal 1-1/4 Shaft	1
3	Z29201	Grease Fitting, 1/8NPT	1
4	Z72931	Lug Nut 1/2NF	4
5	Z91201	1000# 4-Bolt Hub	1
6	Z91801	Dust Cap 1.98 Bore	1
ITEM	PART NO.	DESCRIPTION	QTY
10	Z72691	Slotted Hex Nut 1NF	1
ITEM	PART NO.	DESCRIPTION	QTY
15	Z12322	Cotter Pin 3/16 X 2	1

2061A102 9hp ENGINE / PUMP ASSEMBLY PARTS

ITEM	PART NO.	Description	QTY.
1	Z46404	Shaft Coupler L095 x 1	1
2	Z46405	Coupler Spider L095	1
3	Z46409	Shaft Coupler L095 x 1/2	1
4	Z46533	Key 1/4 x 1/4 x 1	1
5	Z46592	Woodruff Key, 1/8 x 1/2	1
6	Z47136	Honda 9hp Engine	1
7	Z51383	Elbow 90 ORB x FFX 0808	1
8	Z53202	Pump, Two-Stage 16gpm	1
9	Z53802	Pump Mounting, PM-9	1
10	Z71255	Hex Bolt, 5/16NC x 5-1/2	2
11	Z71274	Hex Bolt, 5/16NF x 1	4
12	Z71320	Hex Bolt 3/8NC x 2	4
13	Z72231	Hex Lock Nut 3/8NC	4



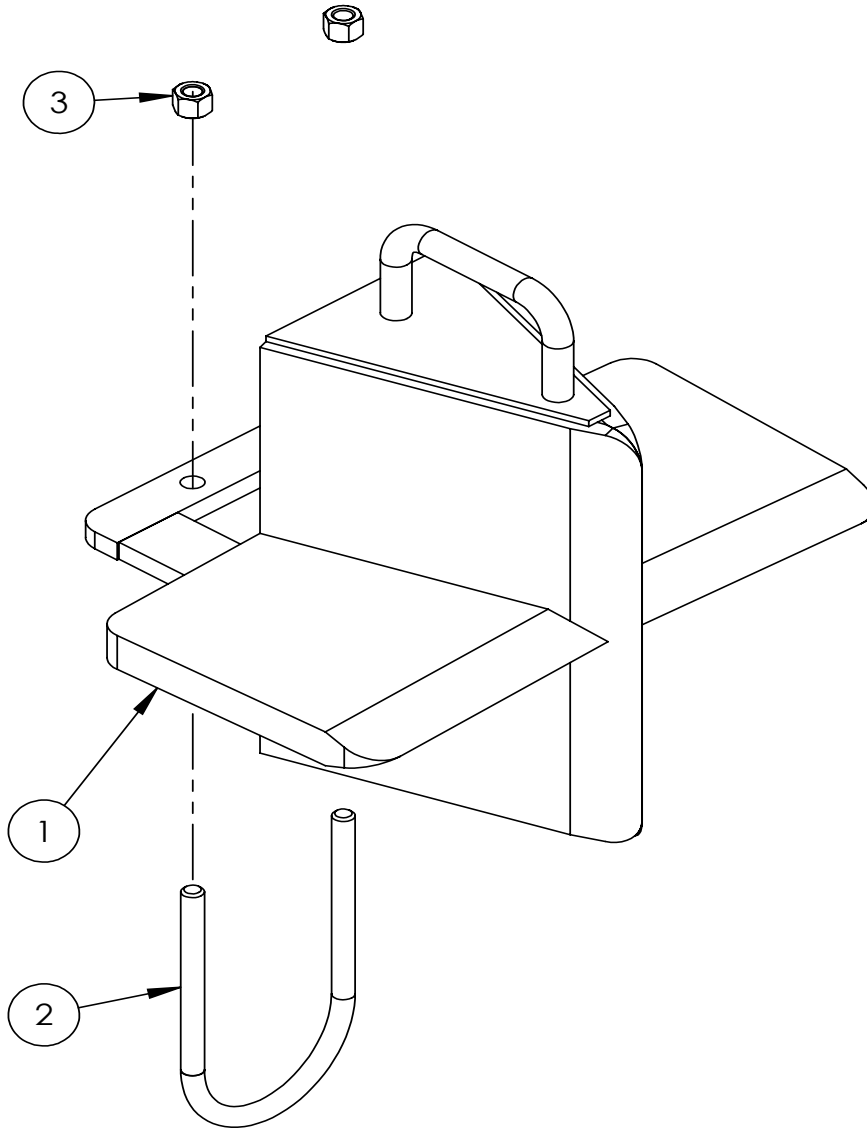


WX980 ROTATING BASE PARTS BREAKDOWN

ITEM	PART NO.	Description	QTY.
1	2011A103	Assembly, Valve with Fittings	1
2	2015A505	Wedge Assy for 5" Cylinder	1
3	2054L412	Clamp, Two Hose	2
4	2054S414	Handle, Lift	1
5	2061C101	Cylinder, 5 x 24" x 2-1/2"	1
6	2061S121	Plate, Cylinder Retaining (Bolt)	1
7	2061W101	Weldment for WX980	1
8	Z19321	Grip, 1" x 5"	1
9	Z51331	Elbow 90 MP x FPX 0808	1
10	Z52301	1/2 Hose MP08 x MP08 x 16"	1
11	Z52305	1/2 Hose, MP08 x MP08 x 24"	1
12	Z71120	Hex Bolt 1/4NC x 2	1
13	Z71560	Hex Bolt 1/2NC x 6	3
14	Z72111	Hex Lock Nut 1/4NC	1
15	Z72221	Hex Lock Nut 5/16NC	2
16	Z72251	Hex Lock Nut 1/2NC	3
ITEM	PART NO.	Description	QTY.
20	2016S604	Housing, Latch Spring	1
21	2016W603	Handle, Spring Latch	1
22	Z12321	Cotter Pin 3/16 X 2-1/2	1
23	Z32301	Spring 19mm x 79mm Med	1
24	Z73250	Wide Flat Washer, 1/2"	1

**2016A602 LATCH PARTS
(WELDED ON)**

ITEM	PART NO.	DESCRIPTION	QTY
27	2015W505	Wedge for 5" Cylinder	1
28	2014S414	Plate, Sliding Wedge Capture	1
29	Z71576	Hex Bolt 1/2NF x 1-1/2"	4
30	Z71540	Hex Bolt 1/2NC x 4"	1
31	Z72251	Hex Lock Nut 1/2NC	1



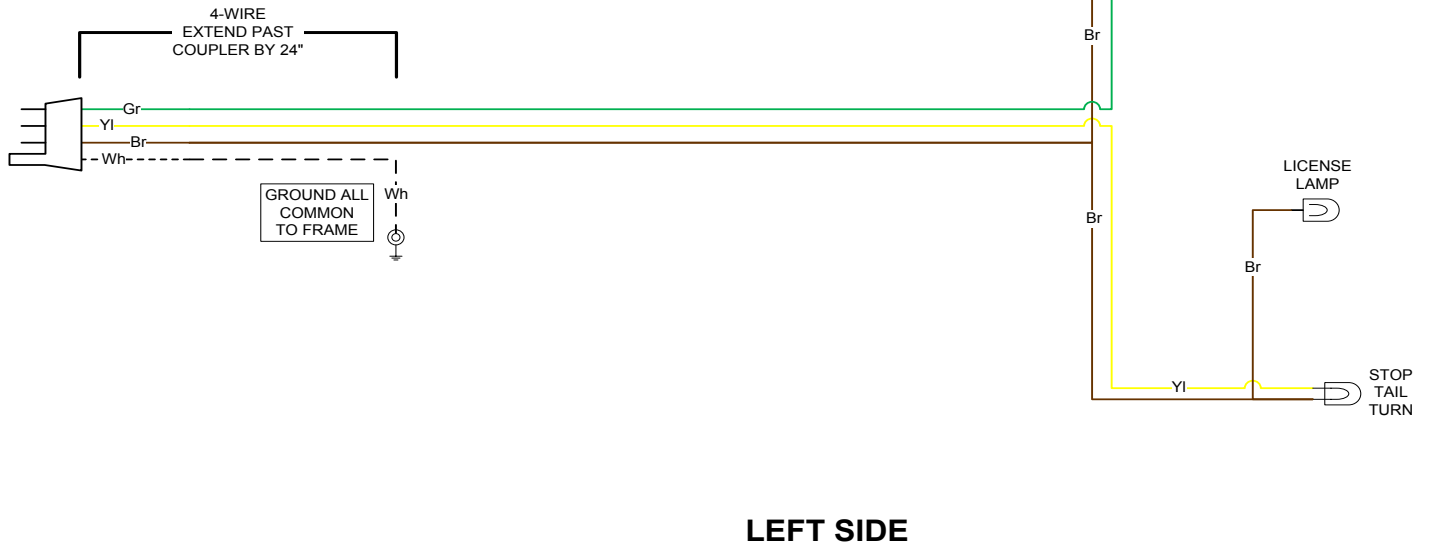
W4130 4-Way Wedge (Optional)

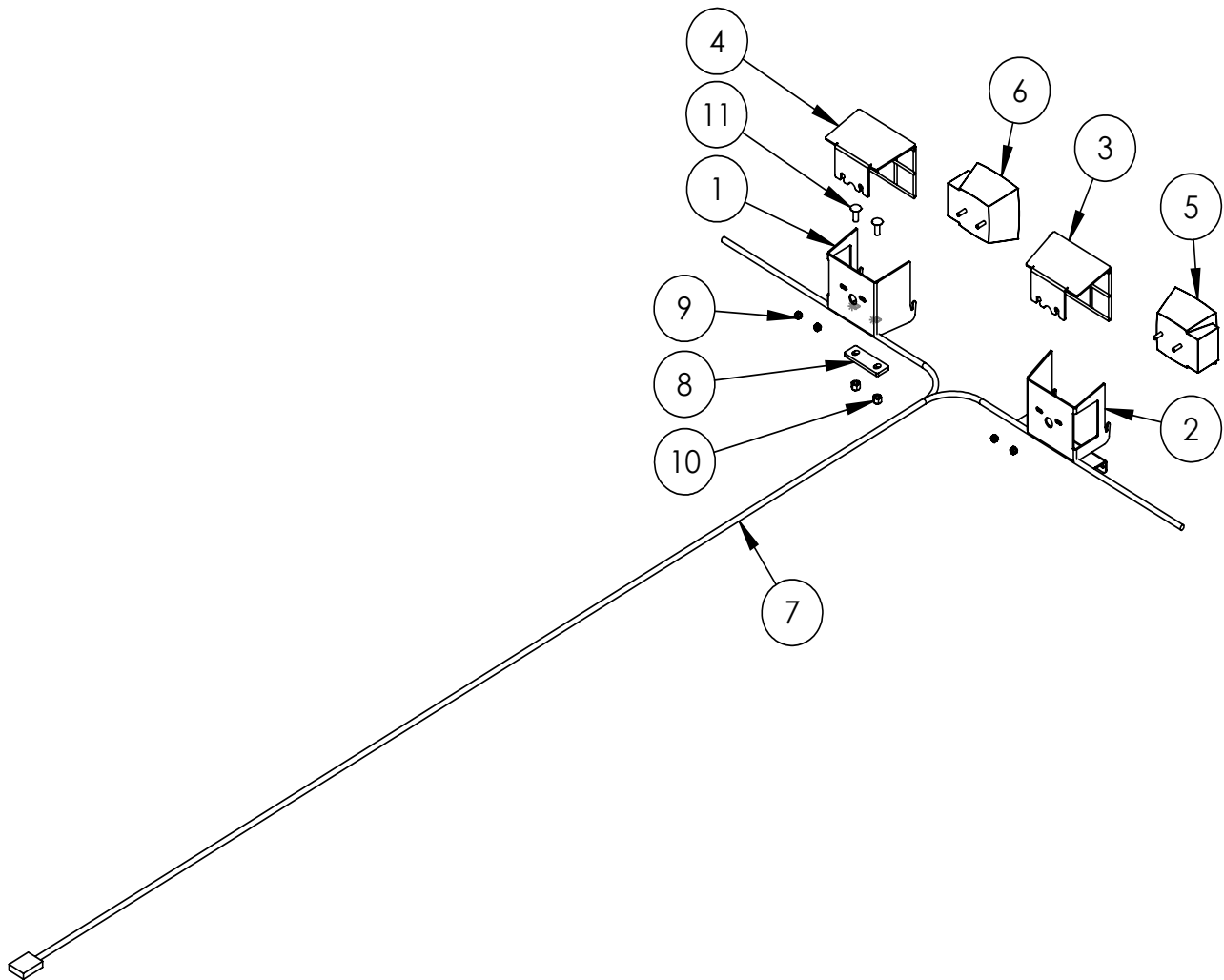
ITEM	PART NO.	DESCRIPTION	QTY
1	2082W301	Weldment, Main 4-Way	1
2	2082S307	U-Bolt, 3 x 4	1
3	Z72231	Hex Lock Nut 3/8NC	2

WX TRAILER SPLITTER WIRING

RIGHT SIDE

KEY	
Bl	BLUE
Br	BROWN
Gr	GREEN
Rd	RED
Yl	YELLOW
Bk	BLACK
Wh	WHITE



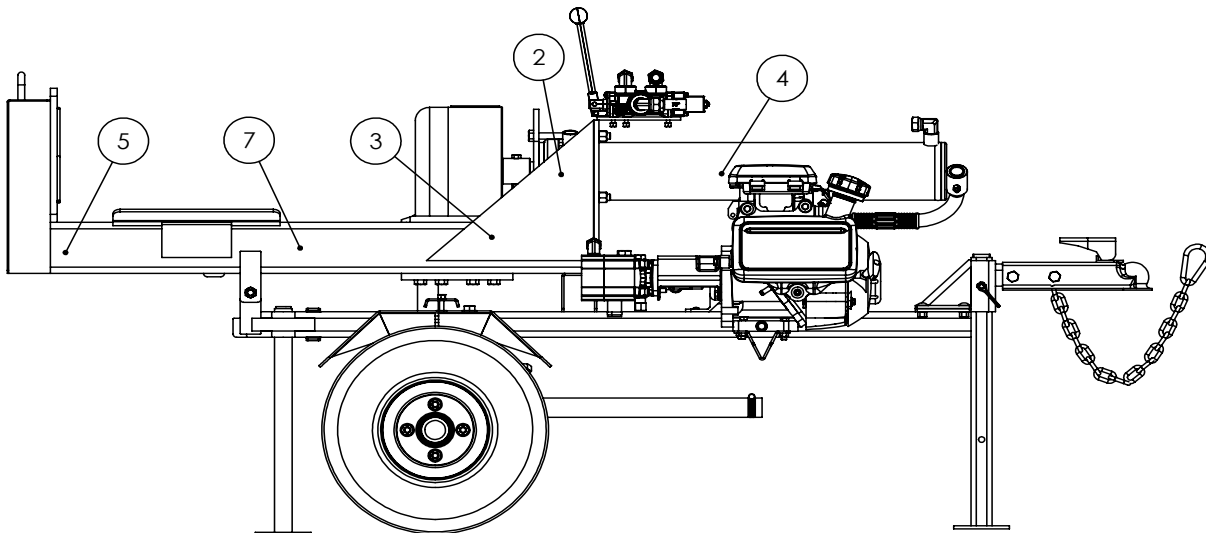
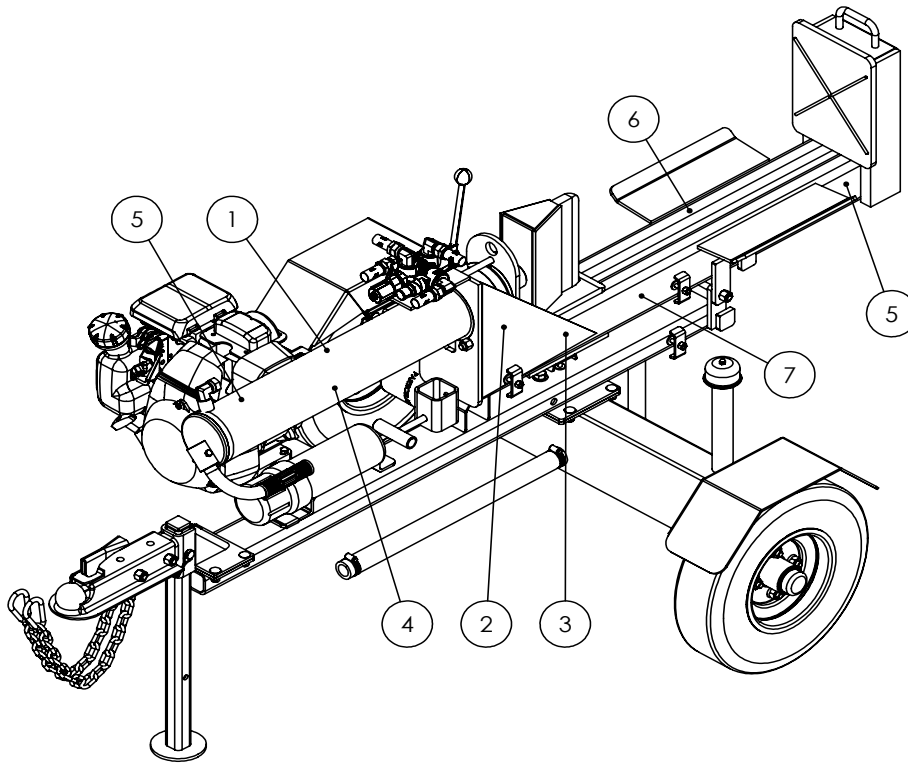


2089A350 LIGHT KIT (Optional)

ITEM	PART NO.	DESCRIPTION	QTY
1	2054L601	Light Bracket, RH	1
2	2054L402	Light Bracket, LH	1
3	2054W404	Light Guard, LH	1
4	2054W403	Light Guard, RH	1
5	Z61106	Stop, Turn, Tail Light LH	1
6	Z61107	Stop, Turn, Tail Light RH	1
7	Z62102	10' Wishbone Trailer Harness	1
8	2054L622	Bracket, Light Base	1
9	Z72941	Serrated Washer Nut 1/4NC	4
10	Z72231	Hex Lock Nut 3/8NC	2
11	Z76231	Carriage Bolt 3/8NC x 1	2

HORIZONTAL-VERTICAL LOG SPLITTER DECAL BREAKDOWN

ITEM	PART NO.	DESCRIPTION	QTY
1	Z94039	CAUTION - Read Manual	1
2	Z94040	WARNING - Moving Wedge	2
3	Z94067	Clear Guide	2
4	Z94056	Wallenstein	2
5	Z94019	Made in Canada	3
6	Z94066	Apply Oil or Grease	1
7	Z94045	WARNING - Lock Stabilizer	2



Horizontal-Vertical Log Splitter Decals

Z94056



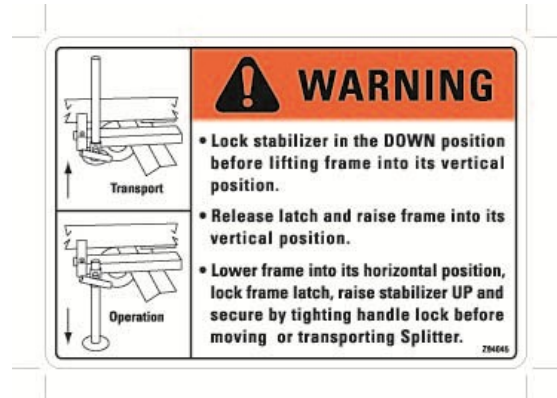
Z94067



Z94066



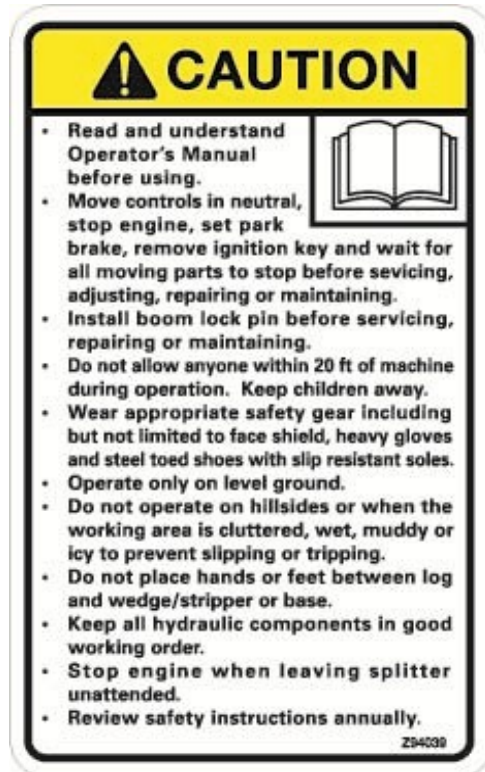
Z94045



Z94019



Z94039



Z94040





WALLENSTEIN Products Manufactured by:

EMB MFG Inc.

4144 Boomer Line
St. Clements, Ontario
Canada N0B 2M0
Phone: 1-877-695-9283
Fax: 519-699-4146
www.embmfg.com