



**WX410 Skidsteer Splitter  
Parts Manual  
Prior to S/N 241072**



## Foreword

EMB Mfg. has prepared this parts manual to assist customers in ordering quality OEM replacement parts.

Proper and regular service and replacing old, worn or broken parts with the correct Wallenstein parts are essential to prolonging the life of your Wallenstein product. Please refer to this manual before ordering any replacement parts.

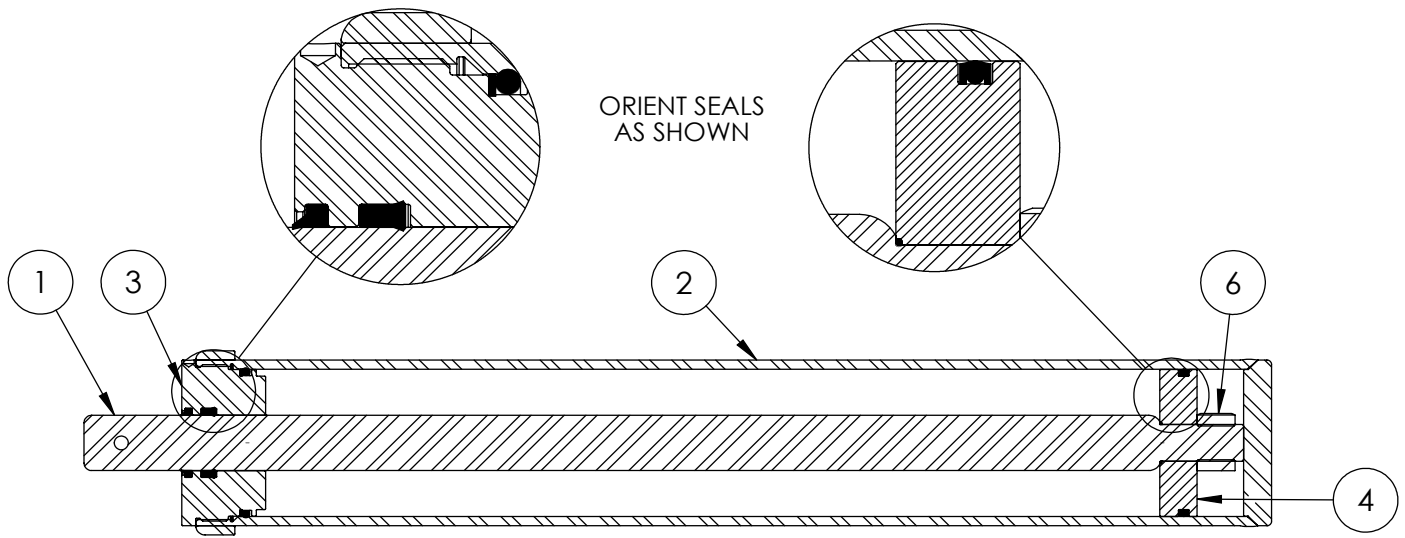
All information contained in this parts manual is based on the latest product specification available at the time of printing this manual. If your product differs from the specifications contained within this manual contact EMB Mfg. for information.

EMB reserves the right to alter specifications on their products at any time.

Reproduction of this parts manual of any kind is prohibited without prior written permission from EMB Mfg.

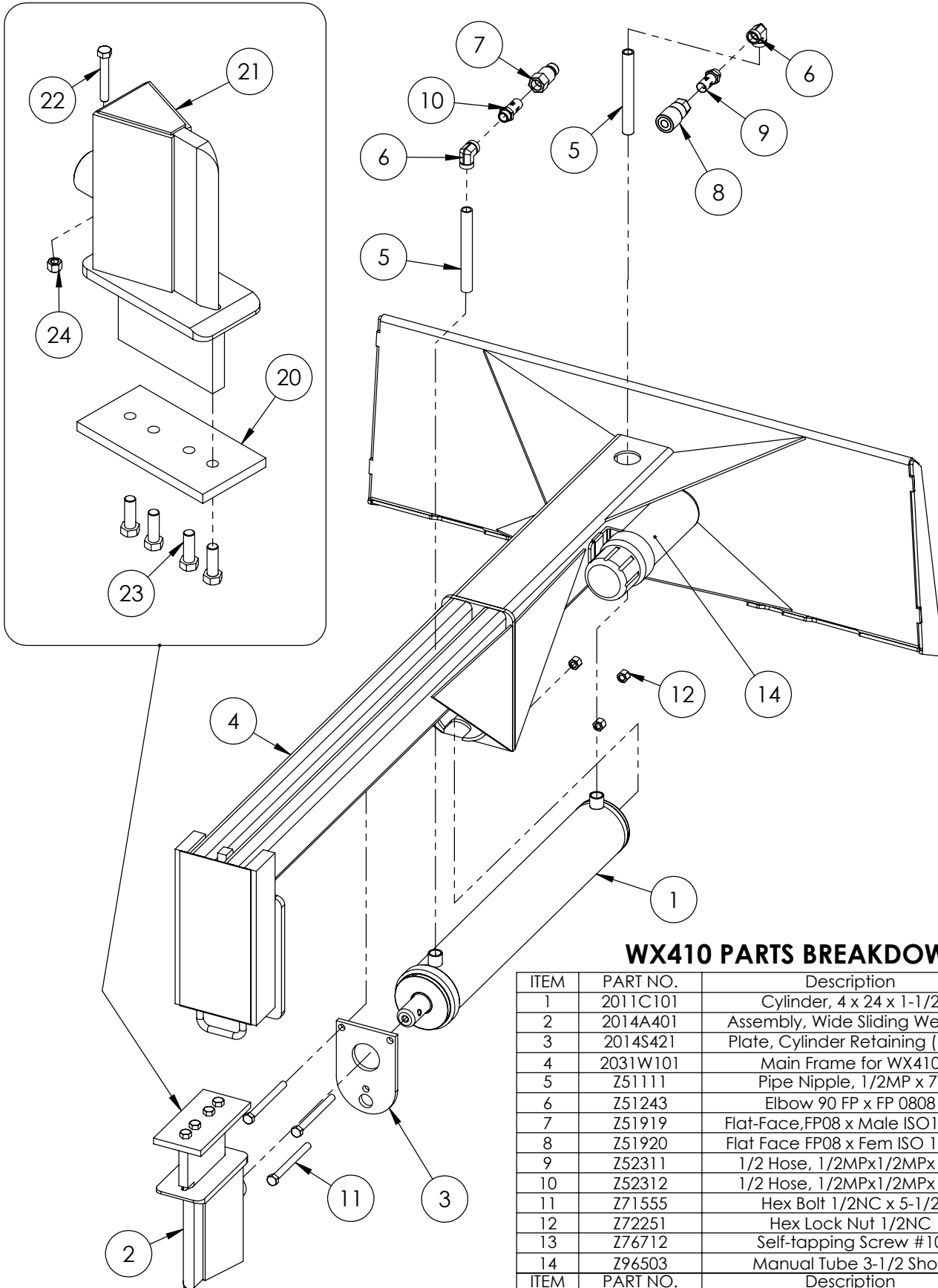
# Table of Contents

|                 |   |
|-----------------|---|
| Cylinder        | 4 |
| Main Parts      | 5 |
| Decal Breakdown | 6 |



### 4" x 24" STROKE CYLINDER PARTS

| ITEM | PART NO.   | Description                | QTY. |
|------|------------|----------------------------|------|
| 1    | 2011C1012  | Rod, 1-1/2 x 1             | 1    |
| 2    | 2011C1014  | Barrel, 4"                 | 1    |
| 3    | G400-150SA | 4" Bore x 1-1/2" Rod Gland | 1    |
| 4    | P100-400SA | 4" Bore Piston             | 1    |
| 5    | SLK-4015   | Seal Kit, 4 x 1-1/2        | 1    |
| 6    | Z72292G8   | Hex Lock Nut 1NF Grade 8   | 1    |

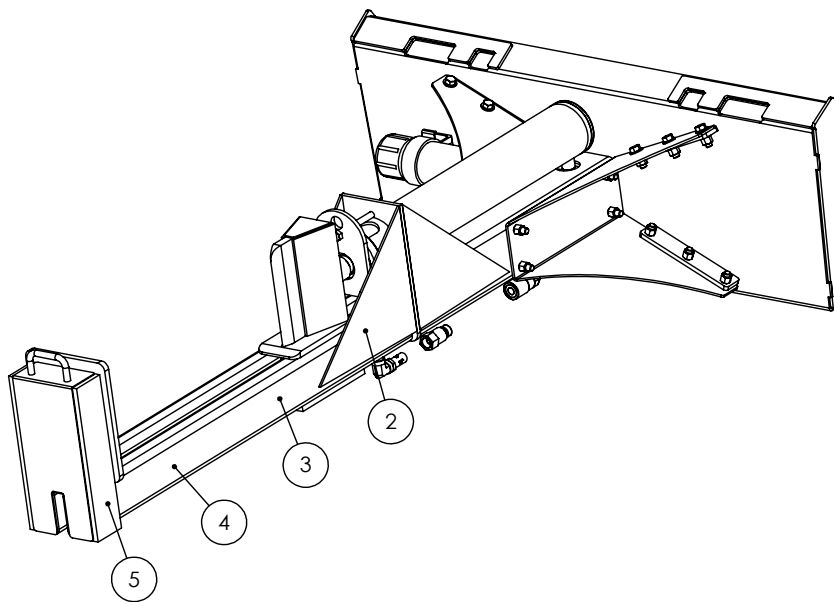
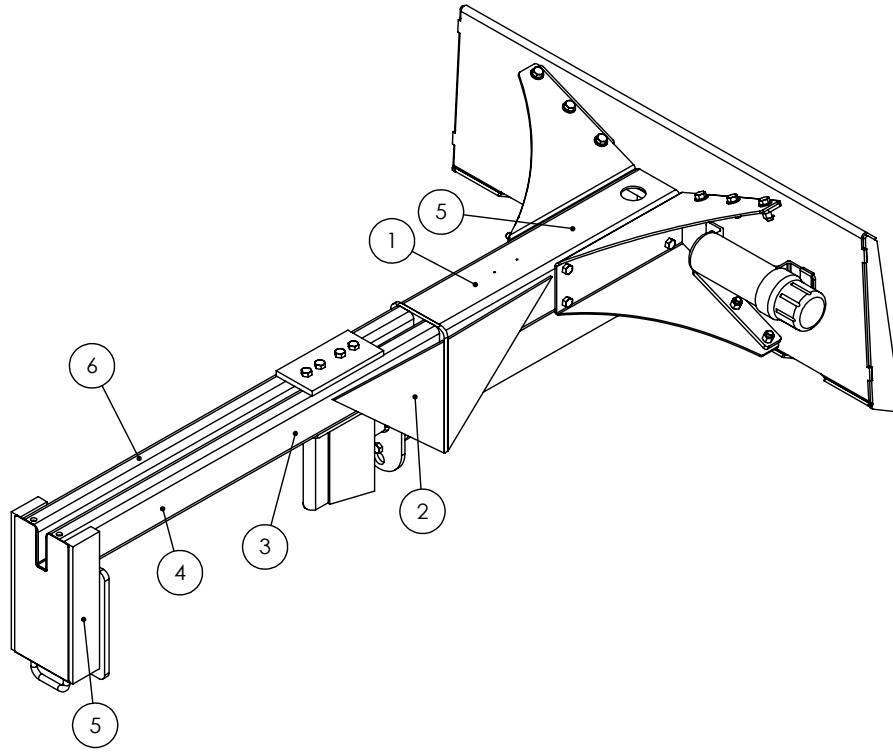


**WX410 PARTS BREAKDOWN**

| ITEM | PART NO. | Description                      | QTY. |
|------|----------|----------------------------------|------|
| 1    | 2011C101 | Cylinder, 4 x 24 x 1-1/2         | 1    |
| 2    | 2014A401 | Assembly, Wide Sliding Wedge     | 1    |
| 3    | 2014S421 | Plate, Cylinder Retaining (Bolt) | 1    |
| 4    | 2031W101 | Main Frame for WX410             | 1    |
| 5    | Z51111   | Pipe Nipple, 1/2MP x 7"          | 2    |
| 6    | Z51243   | Elbow 90 FP x FP 0808            | 2    |
| 7    | Z51919   | Flat-Face,FP08 x Male ISO16028   | 1    |
| 8    | Z51920   | Flat Face FP08 x Fem ISO 16028   | 1    |
| 9    | Z52311   | 1/2 Hose, 1/2MPx1/2MPx 75"       | 1    |
| 10   | Z52312   | 1/2 Hose, 1/2MPx1/2MPx 96"       | 1    |
| 11   | Z71555   | Hex Bolt 1/2NC x 5-1/2           | 3    |
| 12   | Z72251   | Hex Lock Nut 1/2NC               | 3    |
| 13   | Z76712   | Self-tapping Screw #10           | 1    |
| 14   | Z96503   | Manual Tube 3-1/2 Short          | 1    |
| ITEM | PART NO. | Description                      | QTY. |
| 20   | 2014S414 | Plate, Sliding Wedge Capture     | 1    |
| 21   | 2014W402 | Weldment, Sliding Wedge          | 1    |
| 22   | Z71325   | Hex Bolt 3/8NC x 2-1/2           | 1    |
| 23   | Z71576   | Hex Bolt 1/2NF x 1-1/2           | 4    |
| 24   | Z72231   | Hex Lock Nut 3/8NC               | 1    |

### WX410 DECAL BREAKDOWN

| ITEM | PART NO. | DESCRIPTION            | QTY |
|------|----------|------------------------|-----|
| 1    | Z94039   | CAUTION - Read Manual  | 1   |
| 2    | Z94040   | WARNING - Moving Wedge | 2   |
| 3    | Z94067   | Clear Guide            | 2   |
| 4    | Z94056   | Wallenstein            | 2   |
| 5    | Z94019   | Made in Canada         | 3   |
| 6    | Z94066   | Apply Oil or Grease    | 1   |



# Skidsteer Splitter Decals

Z94056



Z94067



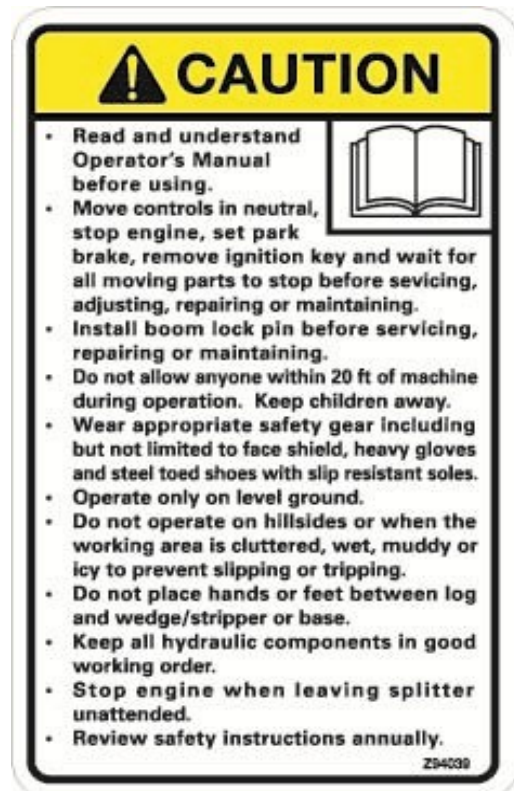
Z94019



Z94066



Z94039



Z94040





**WALLENSTEIN Products Manufactured by:**

**EMB MFG Inc.**

4144 Boomer Line  
St. Clements, Ontario  
Canada N0B 2M0  
Phone: 1-877-695-9283  
Fax: 519-699-4146  
[www.embmfg.com](http://www.embmfg.com)