



## WX520 Trailer Log Splitter Parts Manual

S/N 2520176 to S/N 2520309 (WX520)

Prior to S/N 2E9US11118S013312 to S/N 2E9US111X8S013311 (WX520-L)

Prior to S/N 2520T39 (WX520T)



## Foreword

EMB Mfg. has prepared this parts manual to assist customers in ordering quality OEM replacement parts.

Proper and regular service and replacing old, worn or broken parts with the correct Wallenstein parts are essential to prolonging the life of your Wallenstein product. Please refer to this manual before ordering any replacement parts.

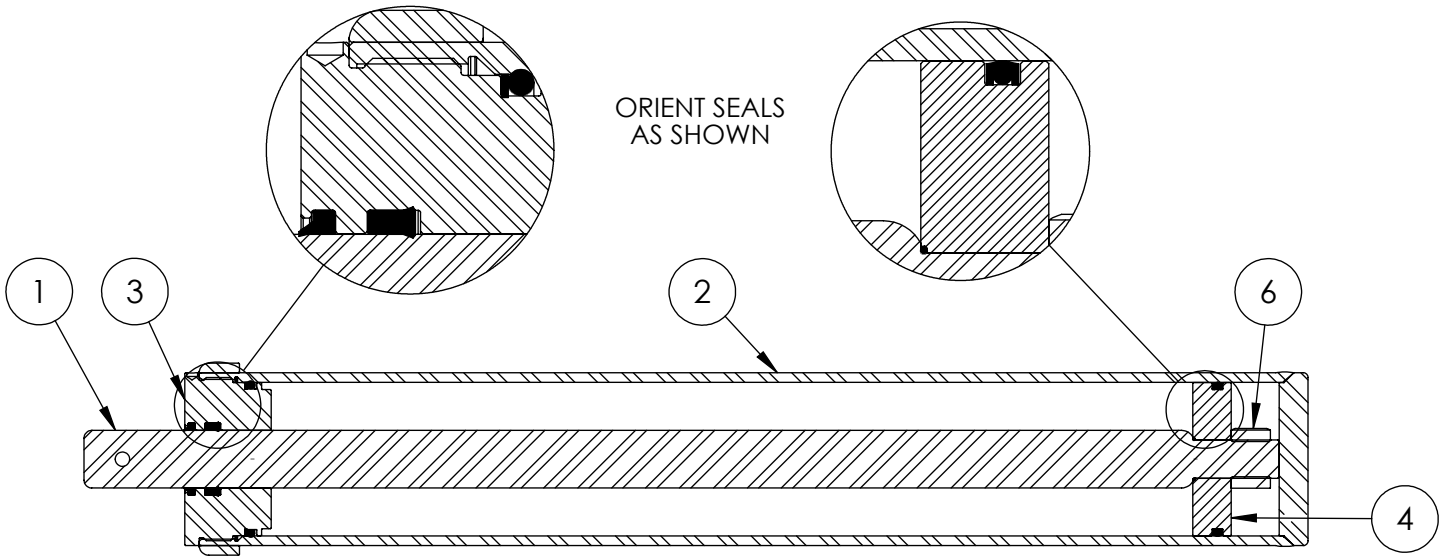
All information contained in this parts manual is based on the latest product specification available at the time of printing this manual. If your product differs from the specifications contained within this manual contact EMB Mfg. for information.

EMB reserves the right to alter specifications on their products at any time.

Reproduction of this parts manual of any kind is prohibited without prior written permission from EMB Mfg.

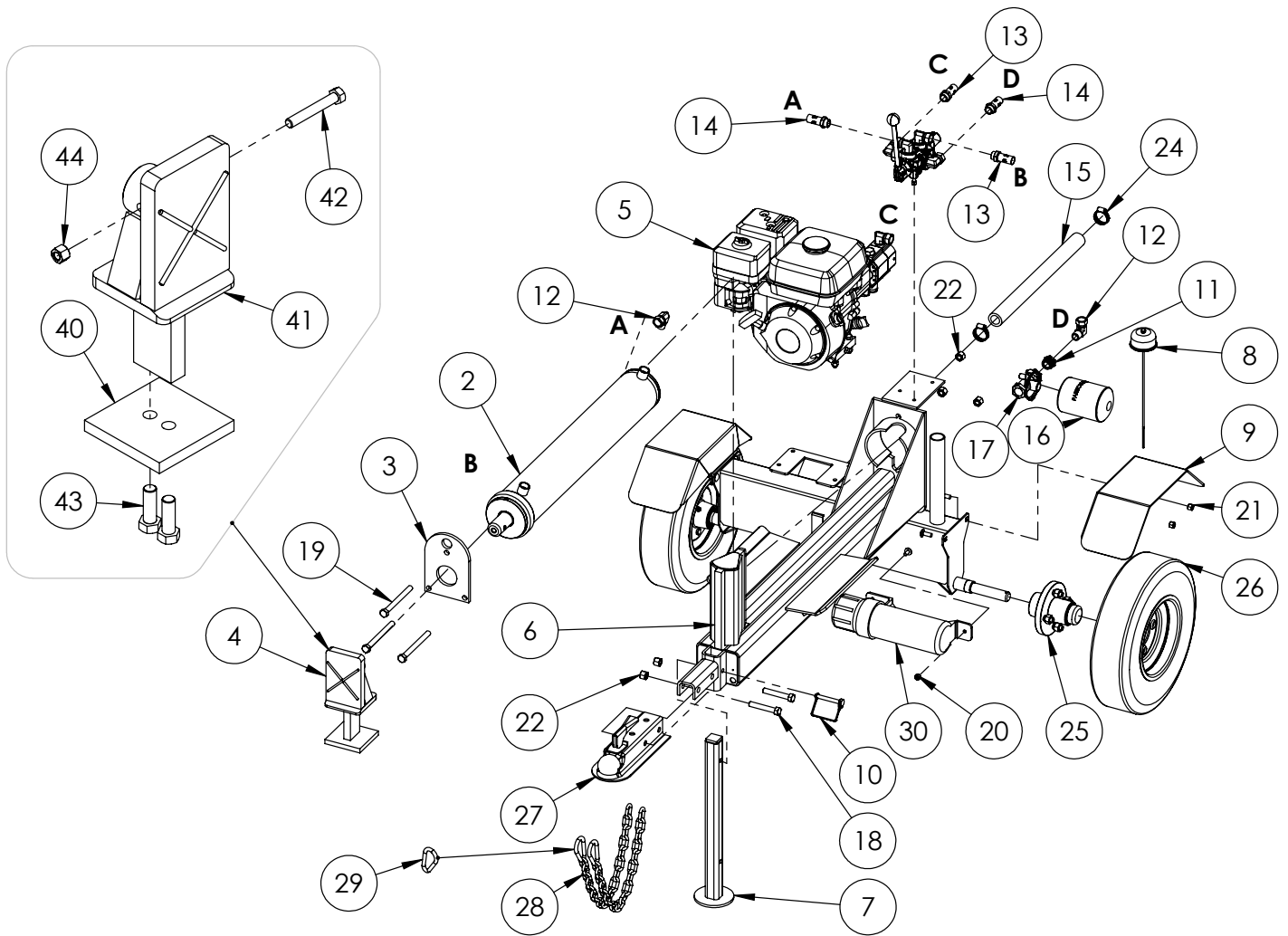
# Table of Contents

Cylinder	4
Valve and Fittings	4
Main Parts	5
Valve	6
Hub	8
Engine & Pump	8
Light Kit (Optional)	9
Decal Breakdown	10



### 4" x 24" STROKE CYLINDER PARTS

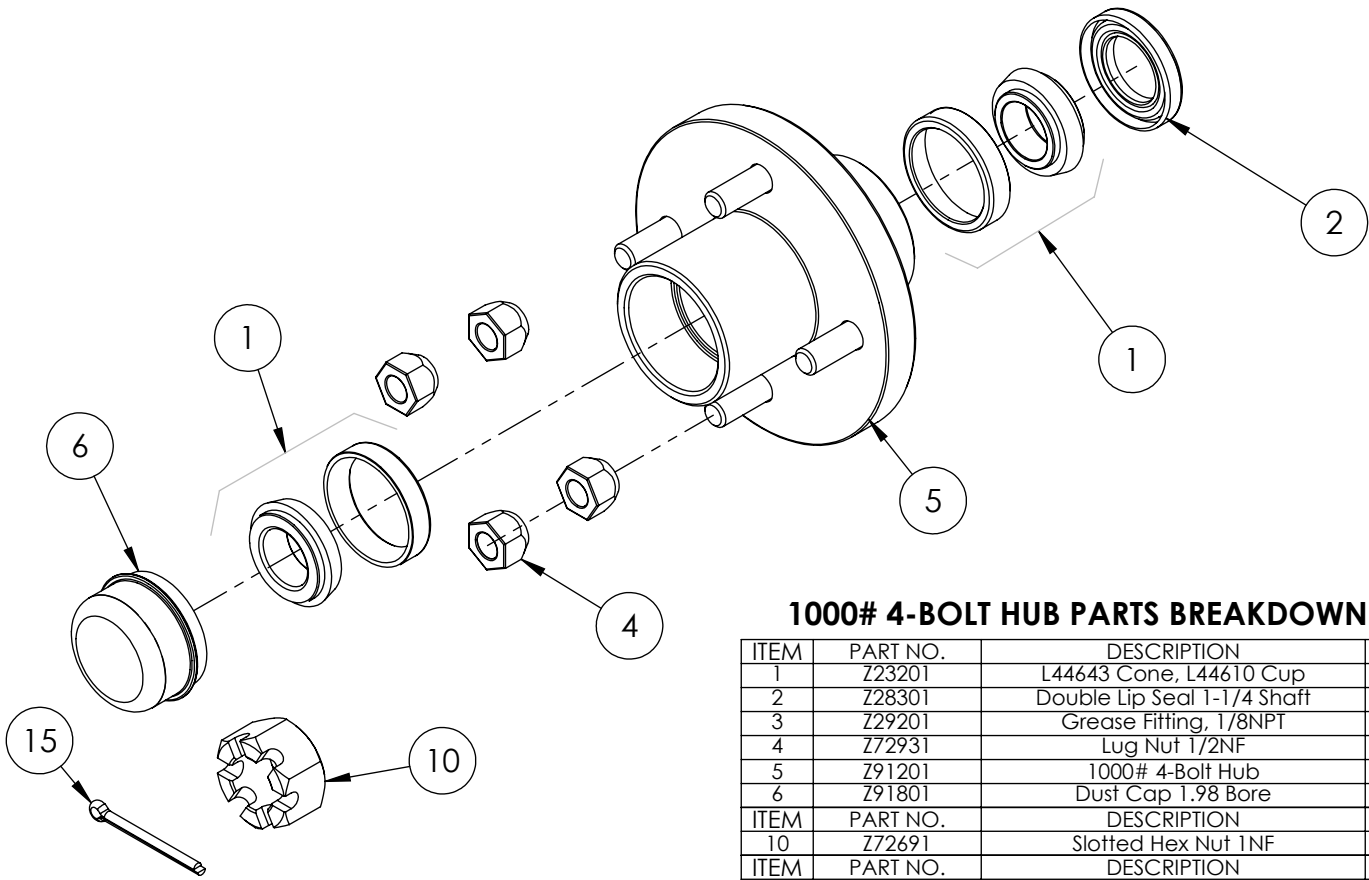
ITEM	PART NO.	Description	QTY.
1	2011C1012	Rod, 1-1/2 x 1	1
2	2011C1014	Barrel, 4"	1
3	G400-150SA	4" Bore x 1-1/2" Rod Gland	1
4	P100-400SA	4" Bore Piston	1
5	SLK-4015	Seal Kit, 4 x 1-1/2	1
6	Z72292G8	Hex Lock Nut 1NF Grade 8	1



**WX520 PARTS BREAKDOWN**

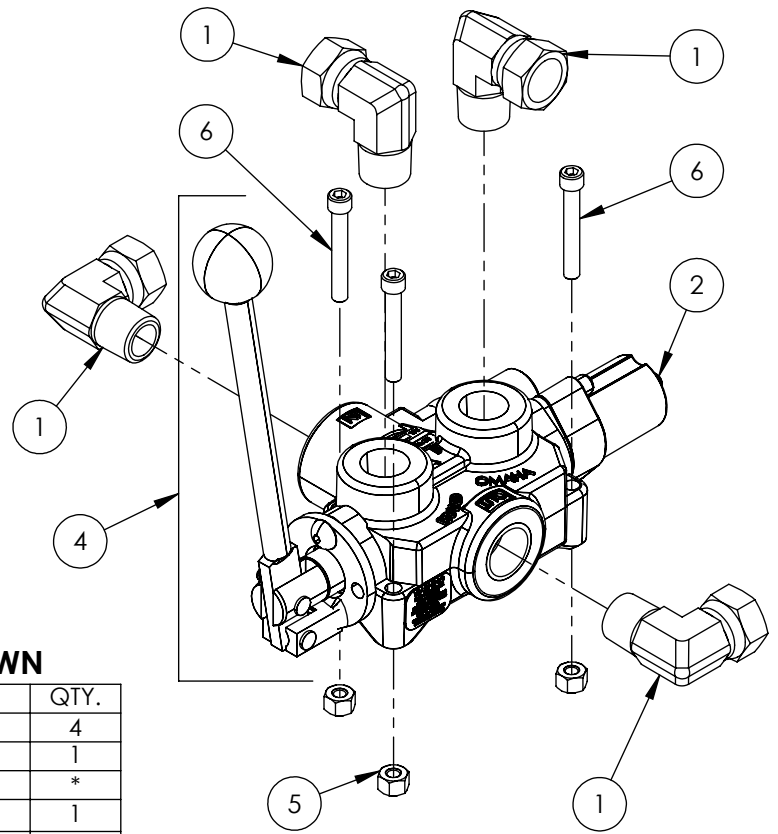
ITEM	PART NO.	DESCRIPTION	QTY
1	2011A103	Assembly, Valve with Fittings	1
2	2011C101	Cylinder, 4 x 24 x 1-1/2	1
3	2014S421	Plate, Cylinder Retaining (Bolt)	1
4	2051A101	Assembly, Push Block	1
5	2052A205	Assembly, GX 5.5hp Engine to 11gpm Pump	1
6	2052W201	Weldment, WX520 Main Base	1
7	2052W206	Jack Stand, Front	1
8	2054A402	Breather cap dipstick	1
9	2054W408	Weldment, Fender	2
10	Z12431	Snapper Pin 3/8 x 2-1/4	1
11	Z51221	Reducer FP x MP 1208	1
12	Z51331	Elbow 90 MP x FPX 0808	2
13	Z52301	1/2 Hose MP08 x MP08 x 16"	2
14	Z52305	1/2 Hose, MP08 x MP08 x 24"	2
15	Z52404	Suction Hose, 1" x 18"	1
16	Z55301	Oil Filter - 3/4 - Particulate	1
17	Z55302	Filter Cap, 3/4 x 3/4	1
18	Z71530	Hex Bolt 1/2NC x 3	2
19	Z71555	Hex Bolt 1/2NC x 5-1/2	3
20	Z72221	Hex Lock Nut 5/16NC	1
21	Z72231	Hex Lock Nut 3/8NC	4
22	Z72251	Hex Lock Nut 1/2NC	5
23	Z76231	Carriage Bolt 3/8NC x 1	4
24	Z79401	Hose Clamp, #16	2
25	Z91202	Assembly, 1000# 4-Bolt Hub	2
26	Z91301	4.80-8 LRB SportTrail	2
27	Z91614	2" Hitch Coupler	1
28	Z92303	Safety Chain 1/4 x 2'	2
29	Z92303-2	Safety Snap	2
30	Z96503	Manual Tube 3-1/2 Short	1

ITEM	PART NO.	DESCRIPTION	QTY
40	2051S117	Cap, Push Block (Bolt)	1
41	2051W102	Push Block, Bolted	1
42	Z71325	Hex Bolt 3/8NC x 2-1/2	1
43	Z71576	Hex Bolt 1/2NF x 1-1/2	2
44	Z72231	Hex Lock Nut 3/8NC	1



**1000# 4-BOLT HUB PARTS BREAKDOWN**

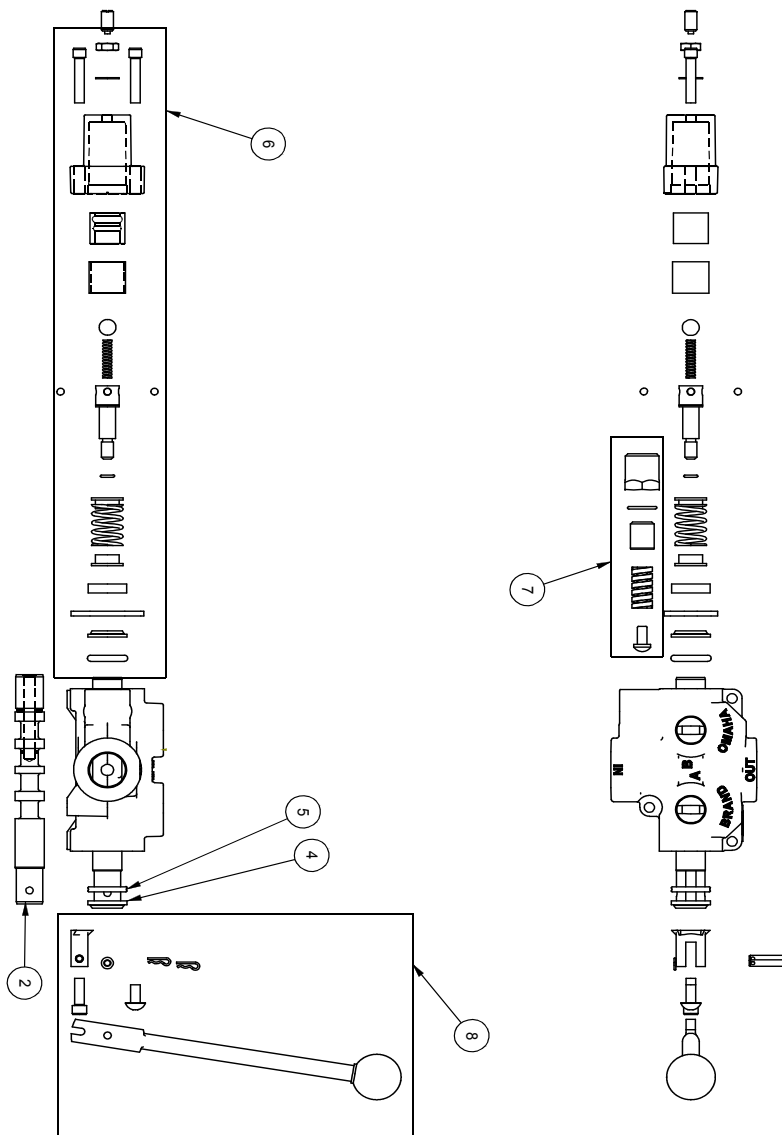
ITEM	PART NO.	DESCRIPTION	QTY
1	Z23201	L44643 Cone, L44610 Cup	2
2	Z28301	Double Lip Seal 1-1/4 Shaft	1
3	Z29201	Grease Fitting, 1/8NPT	1
4	Z72931	Lug Nut 1/2NF	4
5	Z91201	1000# 4-Bolt Hub	1
6	Z91801	Dust Cap 1.98 Bore	1
ITEM	PART NO.	DESCRIPTION	QTY
10	Z72691	Slotted Hex Nut 1NF	1
ITEM	PART NO.	DESCRIPTION	QTY
15	Z12322	Cotter Pin 3/16 X 2	1



**VALVE AND FITTINGS PARTS BREAKDOWN**

ITEM	PART NO.	Description	QTY.
1	Z51331	Elbow 90 MP x FPX 0808	4
2	Z56209	Valve, Single Function Detent	1
3	*Z56210*	Valve, Closed Center	*
4	Z56915	Complete Handle Kit for Z56209	1
5	Z72111	Hex Lock Nut 1/4NC	3
6	Z75114	SHCS, 1/4NC x 1-3/4	3

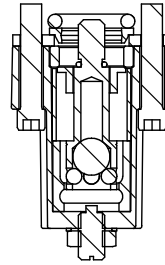
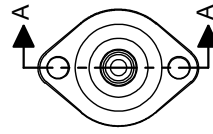
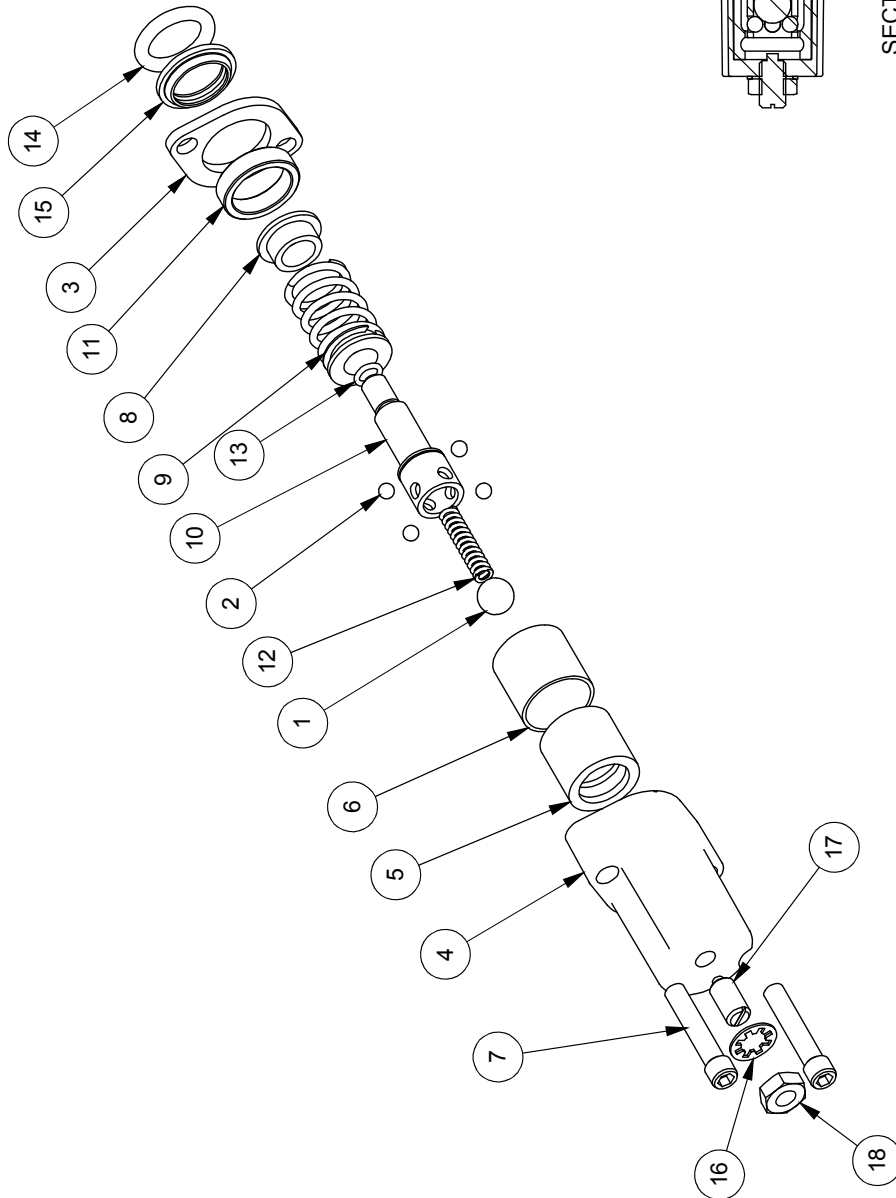
\*CLOSED CENTER VALVE REQUIRED FOR "C" MODELS.\*



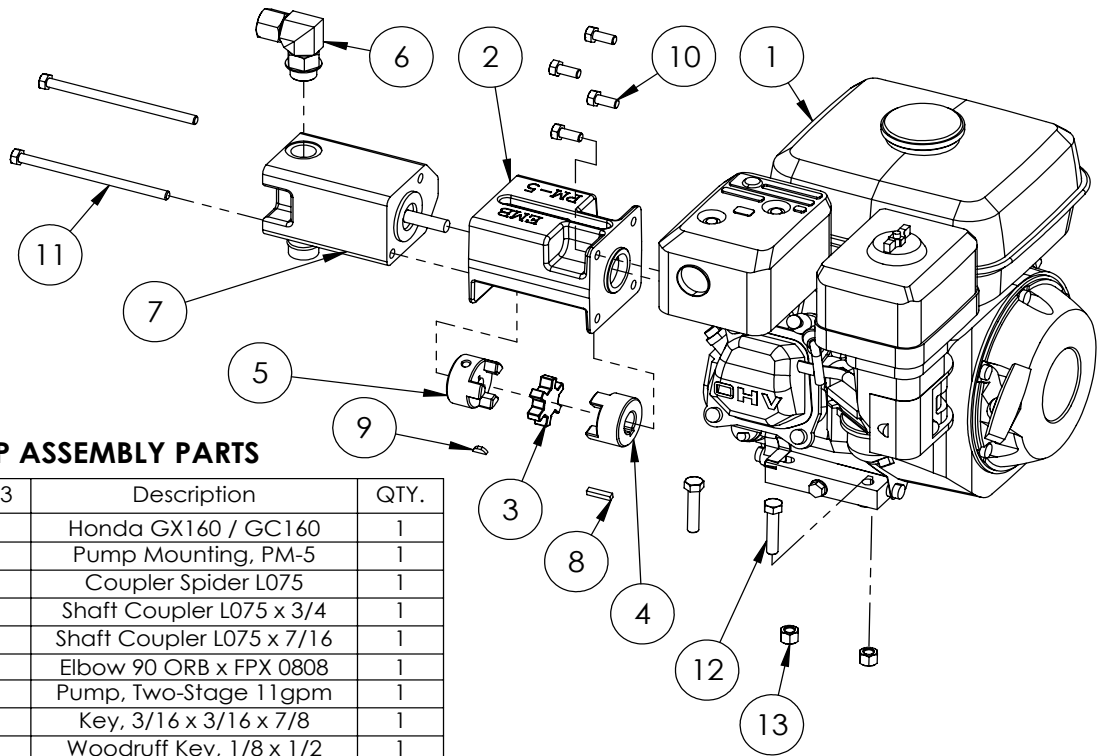
ITEM NO.	QTY.	PART NO.	DESCRIPTION
1	1	A0CASTB	AO CASTING
2	1	LS30474J	SPOOL
3	1	P1740	NAME TAG
4	1	SF305	WIPER
5	1	SF304	QUAD RING
6	1	SUB-LS	SUB-LS
7	1	B5057	7/16 BALL
8	1	DC7804	3/16 BALL
9	1	SF306	RETAINER
10	1	SF477L	SH LS ENDCAP
11	1	XDC672	LS SLEEVE
12	1	SF483	SPACER
13	2	SF488	ALLEN SCREW
14	2	SF489	CENTER STOP
15	1	SF490	CENTERING SPRING
16	1	SF492	HOUSING
17	1	SF315	SPACER
18	1	LS305	DETENT SPRING
19	1	DC7383	O-RING 3.902
20	1	SF498	O-RING, BLUE, METRIC
21	1	LS306	LS WIPER
22	1	SF502	5/16 LOCK WASHER
23	1	SF503	PLUNGER, SPRING
24	1	SF504	5/16 HEX JAM NUT
25	1	SUB-R	RELIEF
26	1	P1603	CAP NUT
27	1	SF322	O-RING 2.016
28	1	SF364A	ADJ. SCREW
29	1	B505	SPRING
30	1	SF361A	POPPET
31	1	Z56915	HANDLE KIT
32	1	SF377	RETAINER
33	1	SF376	SEAL RETAINER
34	1	SF367A	CLEVIS
35	1	SF368	HANDLE
36	2	SF389	PIN
37	2	P1767	PIN CLIP
38	1	HP5	MACH. SCREW
39	1	SF311	KNOB
40	1	SF308	CAP SCREW
41	1	SF30374J	SPOOL
42	1	P1654	WARNING TAG



ITEM NO.	QTY.	PART NO.	DESCRIPTION
1	1	B5057	7/16 BALL
2	4	DC7604	3/16 BALL
3	1	SF306	RETAINER
4	1	SF477L	SH LS ENDCAP
5	1	SF480	SD SLEEVE
6	1	SF483	SPACER
7	2	SF486	ALLEN SCREW
8	2	SF489	CENTER STOP
9	1	SF490	CENTERING SPRING
10	1	SF492	HOUSING
11	1	SF315	SPACER
12	1	LS305	DETENT SPRING
13	1	DC7583	O-RING 3-902
14	1	SF496	METRIC O-RING
15	1	LS306	LS WIPER
16	1	SF502	5/16 LOCK WASHER
17	1	SF503	SPRING PLUNGER
18	1	SF504	5/16 HEX JAM NUT

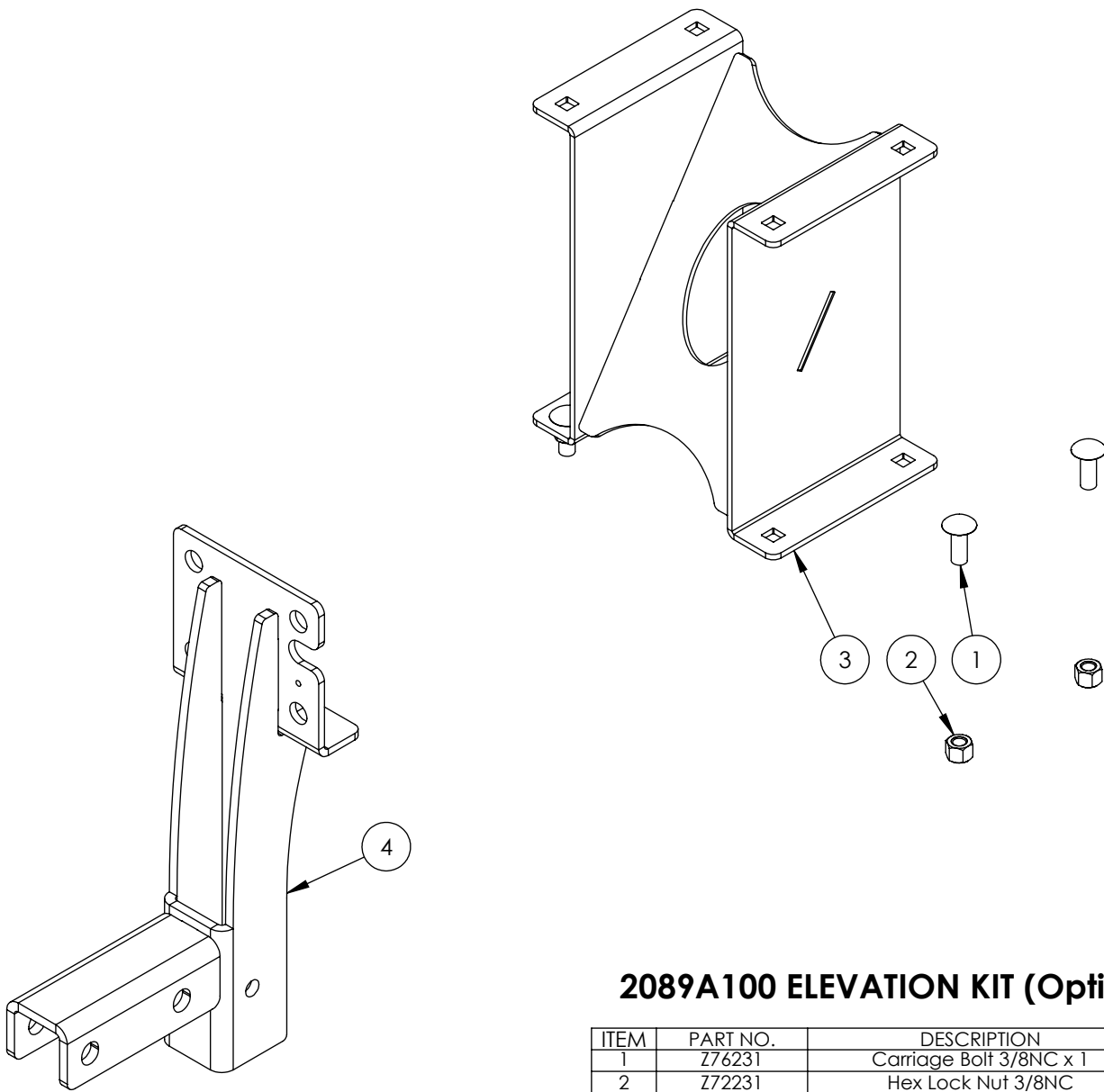


SECTION A-A



**5hp ENGINE / PUMP ASSEMBLY PARTS**

ITEM	2054A403	2051A103	Description	QTY.
1	Z47126	Z47306	Honda GX160 / GC160	1
2		Z53801	Pump Mounting, PM-5	1
3		Z46408	Coupler Spider L075	1
4		Z46406	Shaft Coupler L075 x 3/4	1
5		Z46407	Shaft Coupler L075 x 7/16	1
6		Z51383	Elbow 90 ORB x FPX 0808	1
7		Z53201	Pump, Two-Stage 11gpm	1
8		Z46521	Key, 3/16 x 3/16 x 7/8	1
9		Z46592	Woodruff Key, 1/8 x 1/2	1
10		Z71273	Hex Bolt, 5/16NF x 3/4	4
11		Z71255	Hex Bolt, 5/16NC x 5-1/2	2
12		Z71215	Hex Bolt, 5/16NC x 1-1/2	4
13		Z72221	Hex Lock Nut 5/16NC	4



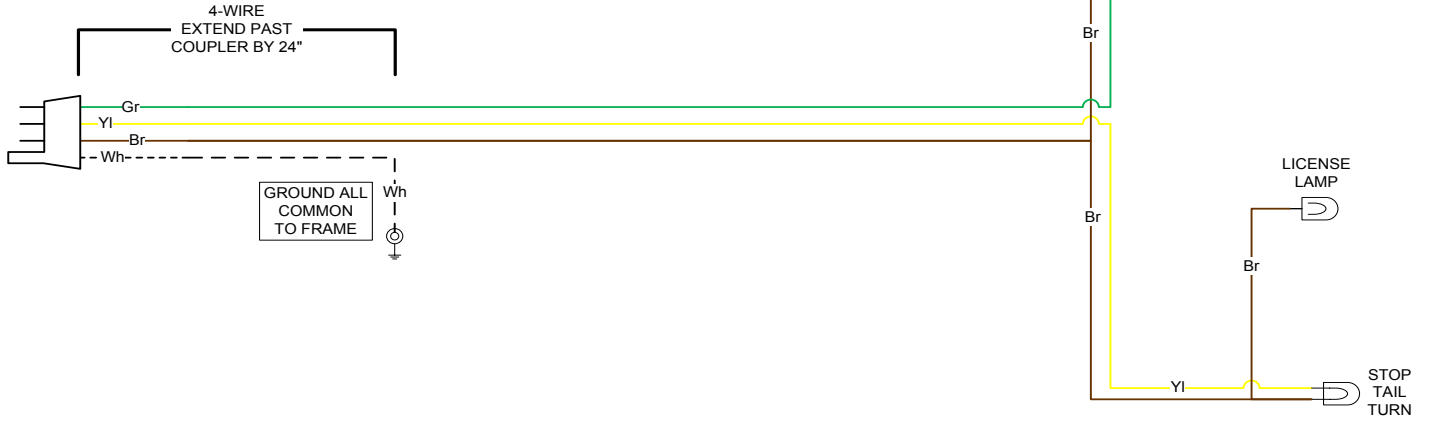
**2089A100 ELEVATION KIT (Optional)**

ITEM	PART NO.	DESCRIPTION	QTY
1	Z76231	Carriage Bolt 3/8NC x 1	4
2	Z72231	Hex Lock Nut 3/8NC	4
3	2089W101	Weldment, Tank Spacer	1
4	2089W104	Weldment, Hitch Mount	1

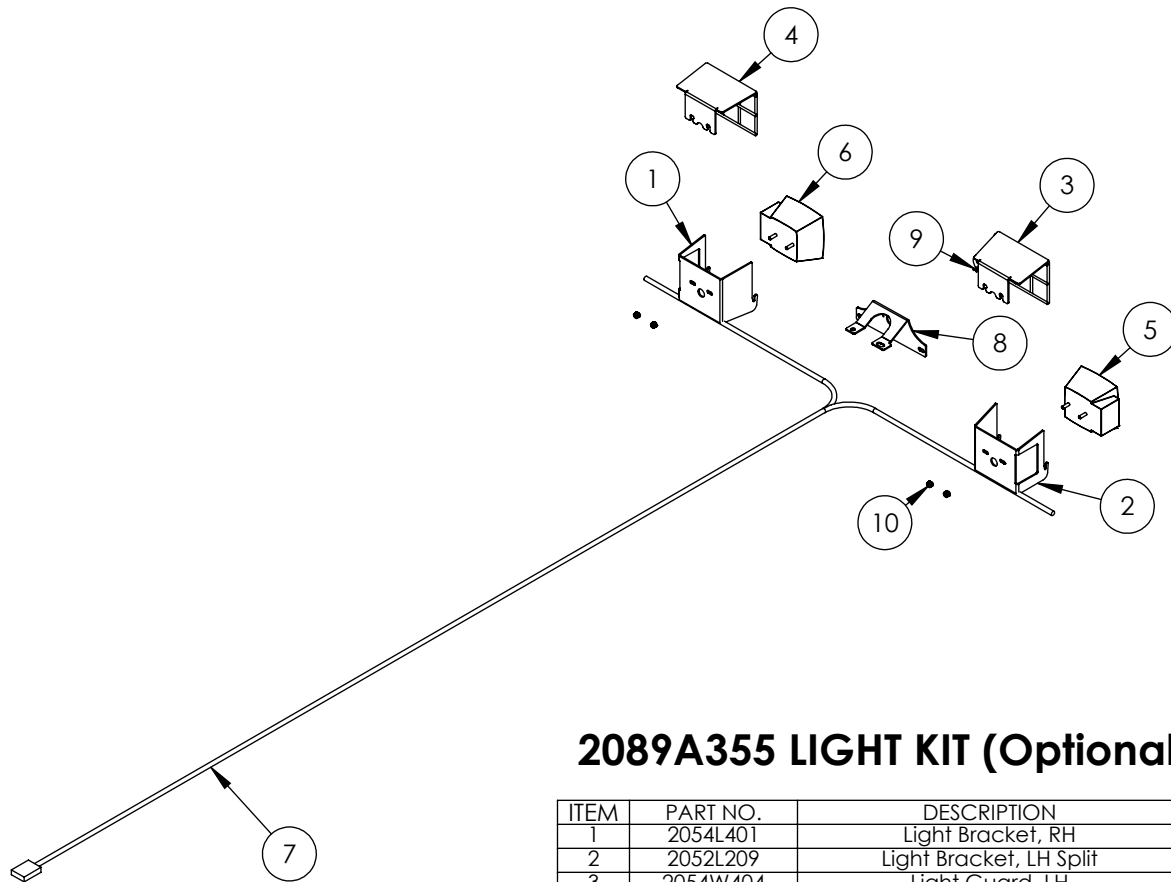
# WX TRAILER SPLITTER WIRING

KEY	
Bl	- BLUE
Br	- BROWN
Gr	- GREEN
Rd	- RED
Yl	- YELLOW
Bk	- BLACK
Wh	- WHITE

RIGHT SIDE



LEFT SIDE

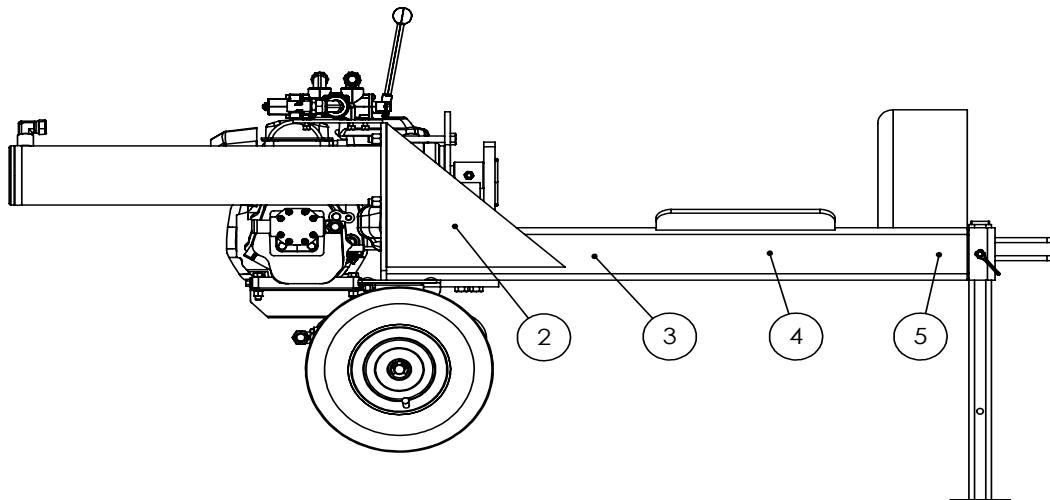
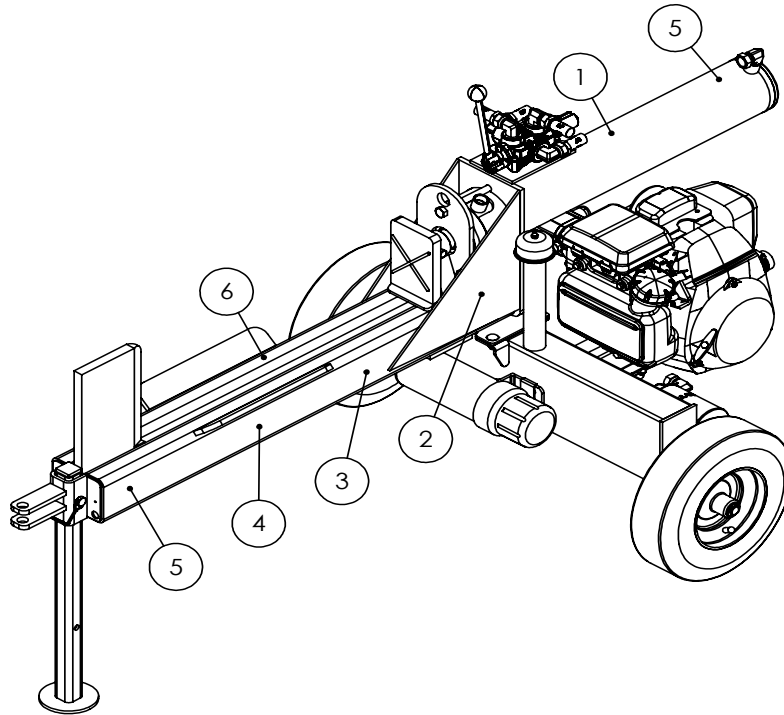


### 2089A355 LIGHT KIT (Optional)

ITEM	PART NO.	DESCRIPTION	QTY
1	2054L401	Light Bracket, RH	1
2	2052L209	Light Bracket, LH Split	1
3	2054W404	Light Guard, LH	1
4	2054W403	Light Guard, RH	1
5	Z61106	Stop, Turn, Tail Light LH	1
6	Z61107	Stop, Turn, Tail Light RH	1
7	Z62102	10' Wishbone Trailer Harness	1
8	2052L210	License Bracket	1
9	Z61301	License Lamp	1
10	Z72941	Serrated Washer Nut 1/4NC	4

## HORIZONTAL LOG SPLITTER DECAL BREAKDOWN

ITEM	PART NO.	DESCRIPTION	QTY
1	Z94039	CAUTION - Read Manual	1
2	Z94040	WARNING - Moving Wedge	2
3	Z94067	Clear Guide	2
4	Z94056	Wallenstein	2
5	Z94019	Made in Canada	3
6	Z94066	Apply Oil or Grease	1



## Trailer Splitter Decals

Z94056



Z94067



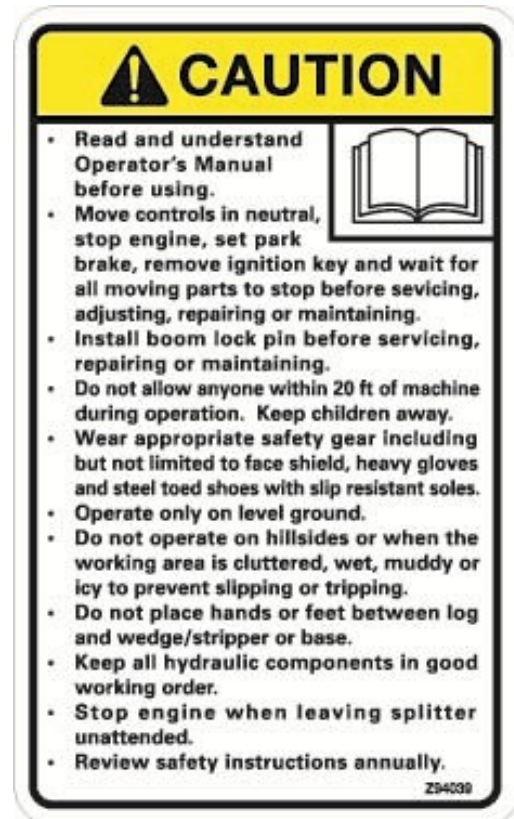
Z94019



Z94066



Z94039



Z94040





**WALLENSTEIN Products Manufactured by:**

**EMB MFG Inc.**

4144 Boomer Line  
St. Clements, Ontario  
Canada N0B 2M0  
Phone: 1-877-695-9283  
Fax: 519-699-4146  
[www.embmfg.com](http://www.embmfg.com)