

# **WALLENSTEIN**

## **LX5200 Skidsteer Log Grapple Parts Manual**

Starting with S/N 6520061 & After



# Foreword

EMB Mfg. has prepared this parts manual to assist customers in ordering quality OEM replacement parts.

Proper and regular service and replacing old, worn or broken parts with the correct OEM parts are essential to prolonging the life of your EMB product. Please refer to this manual before ordering any replacement parts.

All information contained in this parts manual is based on the latest product specification available at the time of printing this manual. If your product differs from the specifications contained within this manual contact EMB Mfg. for information.

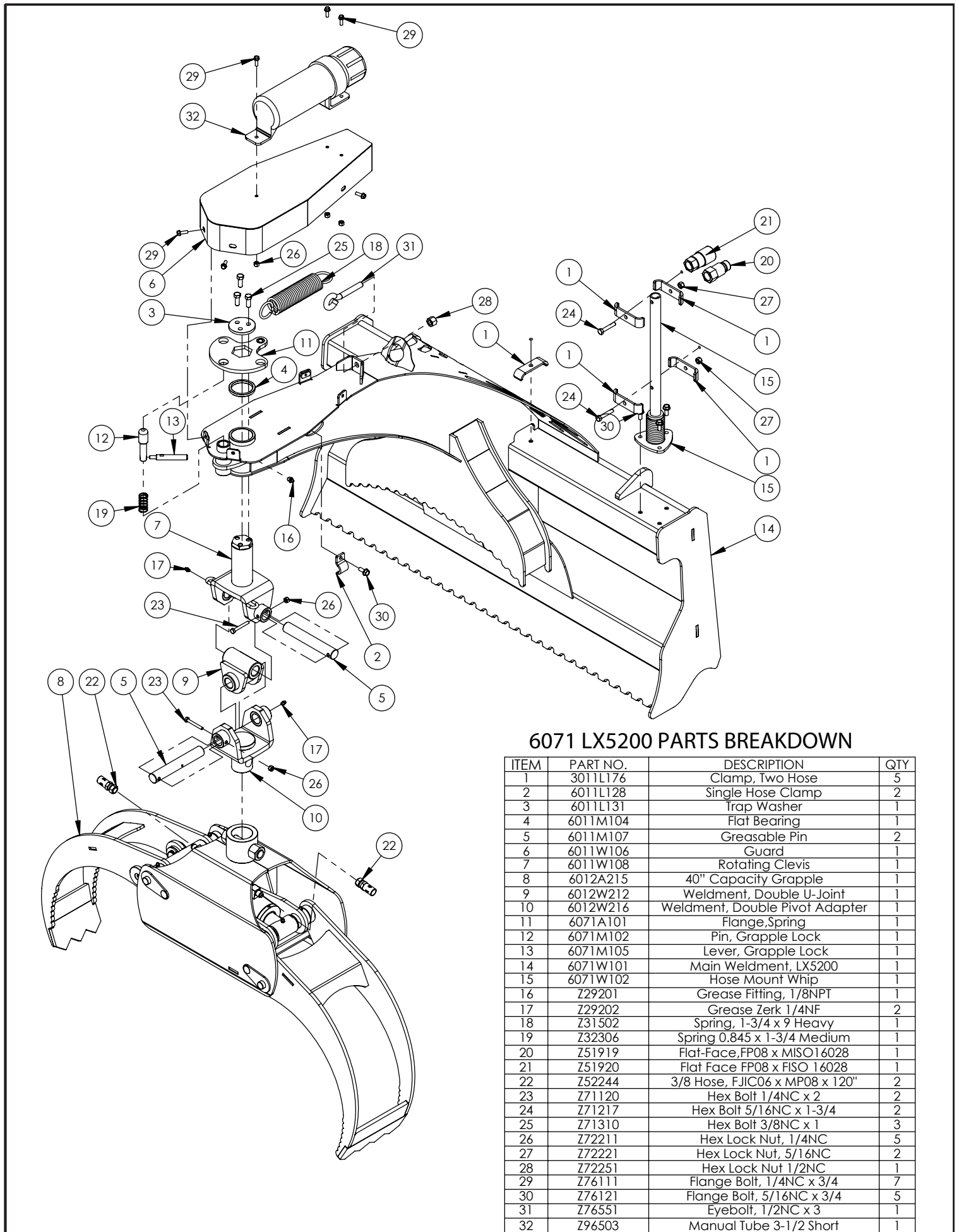
EMB reserves the right to alter specifications on their products at any time.

Reproduction of this parts manual of any kind is prohibited without prior written permission from EMB Mfg.

# Table of Contents

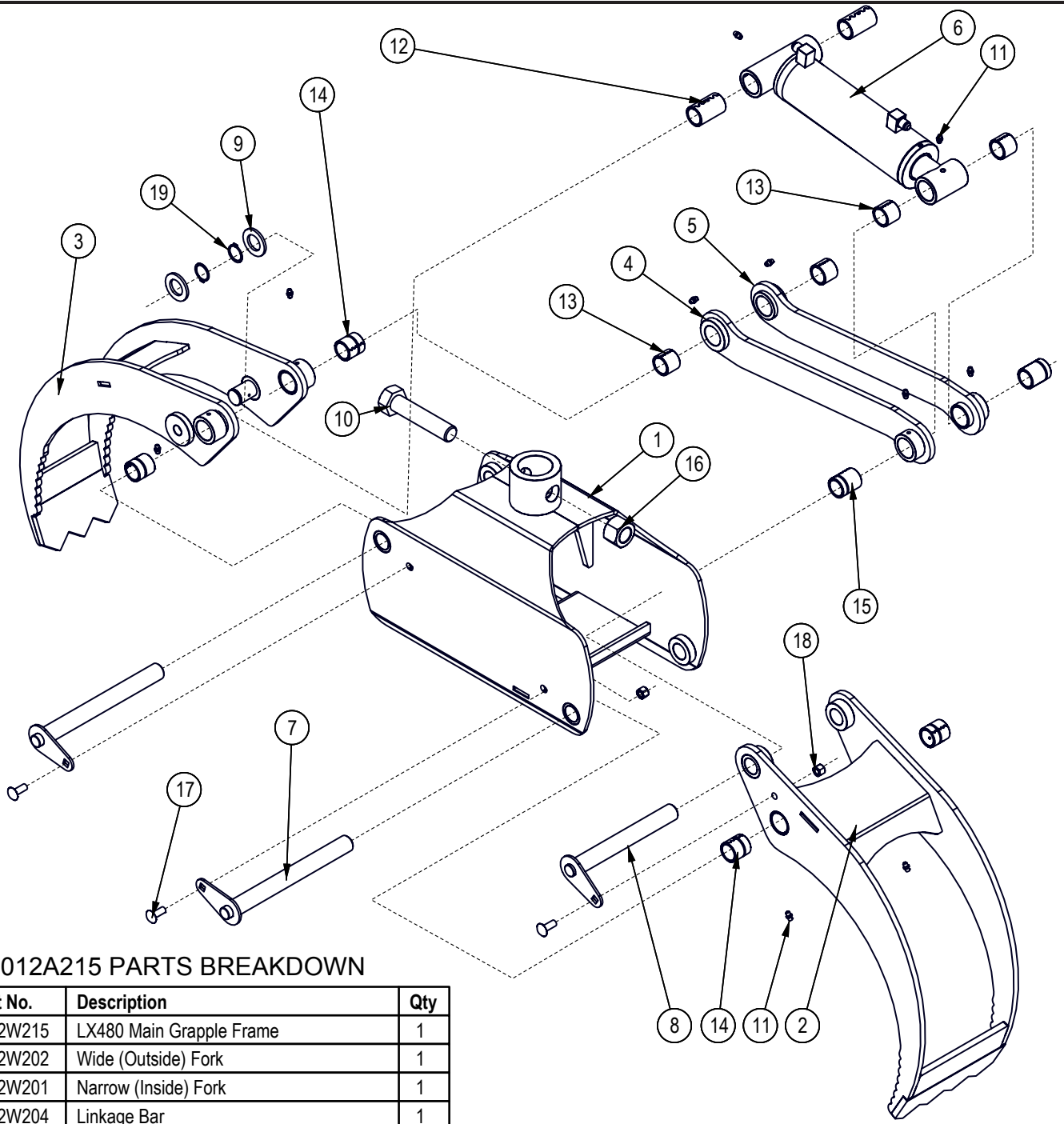
Main Parts	5
Grapple	6
Cylinder	7
Decal Breakdown	8

This Page is Intentionally Blank



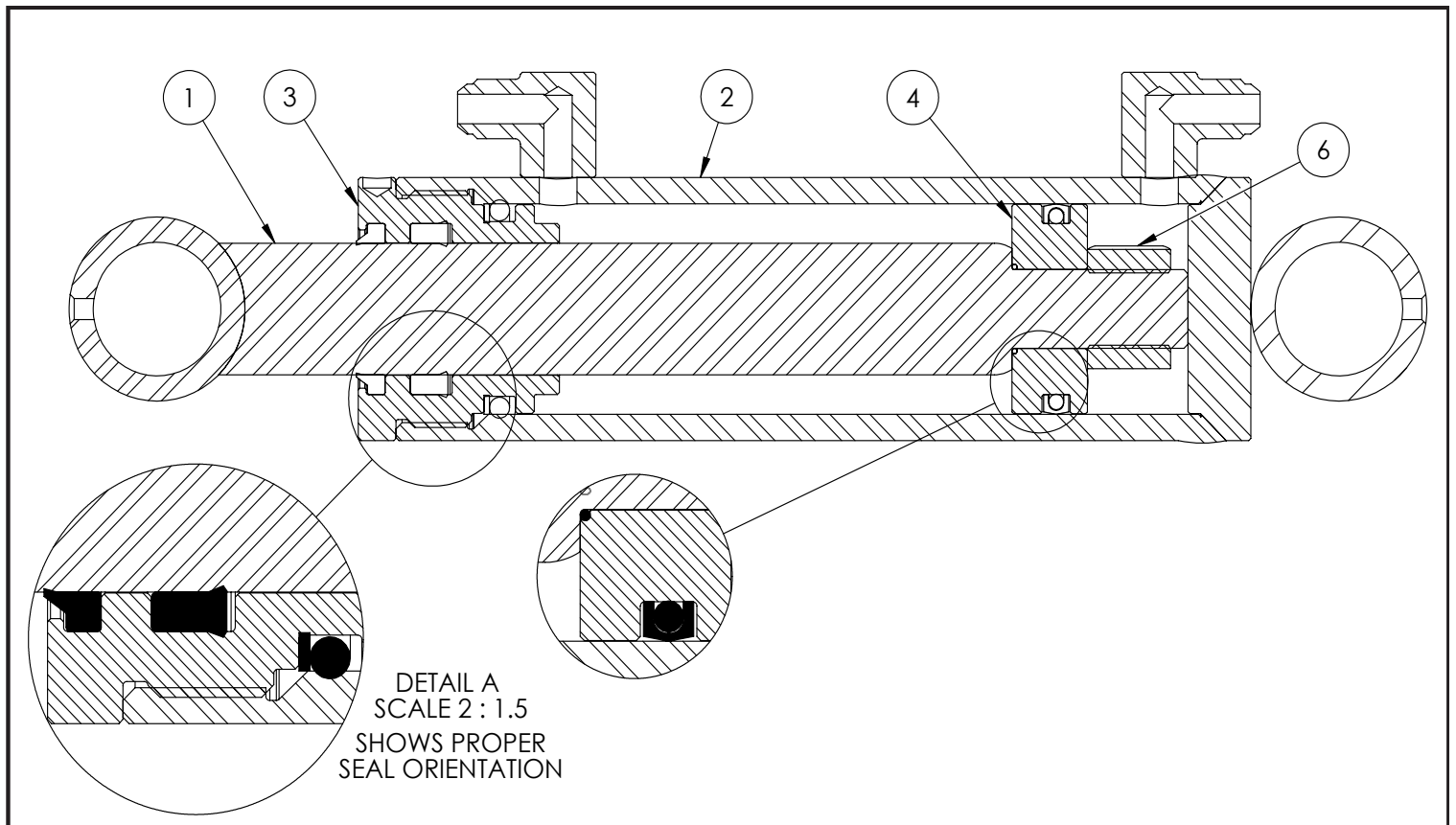
**6071 LX5200 PARTS BREAKDOWN**

ITEM	PART NO.	DESCRIPTION	QTY
1	3011L176	Clamp, Two Hose	5
2	6011L128	Single Hose Clamp	2
3	6011L131	Trap Washer	1
4	6011M104	Flat Bearing	1
5	6011M107	Greasable Pin	2
6	6011W106	Guard	1
7	6011W108	Rotating Clevis	1
8	6012A215	40" Capacity Grapple	1
9	6012W212	Weldment, Double U-Joint	1
10	6012W216	Weldment, Double Pivot Adapter	1
11	6071A101	Flange, Spring	1
12	6071M102	Pin, Grapple Lock	1
13	6071M105	Lever, Grapple Lock	1
14	6071W101	Main Weldment, LX5200	1
15	6071W102	Hose Mount Whip	1
16	Z29201	Grease Fitting, 1/8NPT	1
17	Z29202	Grease Zerk 1/4NF	2
18	Z31502	Spring, 1-3/4 x 9 Heavy	1
19	Z32306	Spring 0.845 x 1-3/4 Medium	1
20	Z51919	Flat-Face, FP08 x MISO16028	1
21	Z51920	Flat Face FP08 x FISO 16028	1
22	Z52244	3/8 Hose, FJIC06 x MP08 x 120"	2
23	Z71120	Hex Bolt 1/4NC x 2	2
24	Z71217	Hex Bolt 5/16NC x 1-3/4	2
25	Z71310	Hex Bolt 3/8NC x 1	3
26	Z72211	Hex Lock Nut, 1/4NC	5
27	Z72221	Hex Lock Nut, 5/16NC	2
28	Z72251	Hex Lock Nut 1/2NC	1
29	Z76111	Flange Bolt, 1/4NC x 3/4	7
30	Z76121	Flange Bolt, 5/16NC x 3/4	5
31	Z76551	Eyebolt, 1/2NC x 3	1
32	Z96503	Manual Tube 3-1/2 Short	1



6012A215 PARTS BREAKDOWN

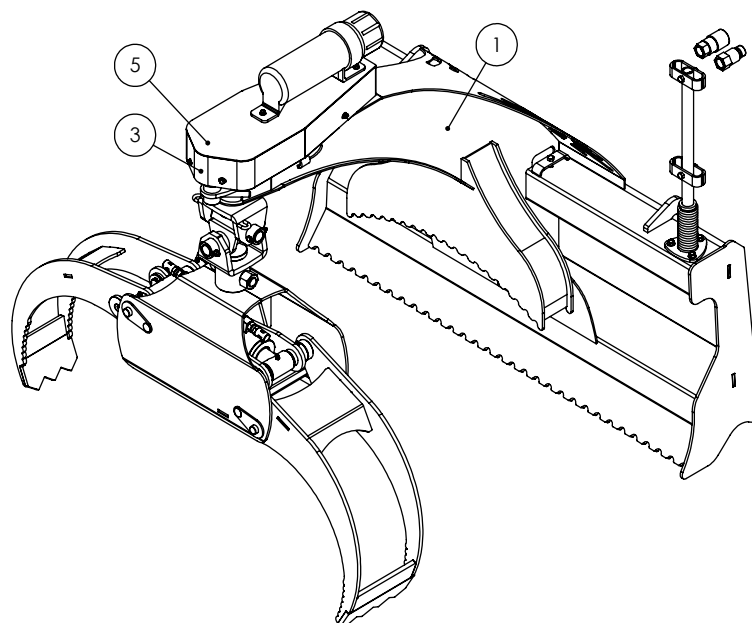
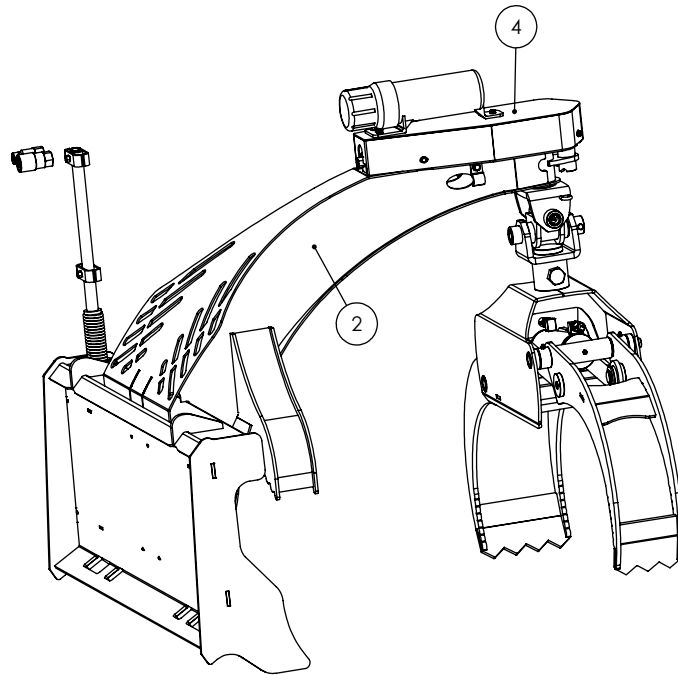
Item	Part No.	Description	Qty
1	6012W215	LX480 Main Grapple Frame	1
2	6012W202	Wide (Outside) Fork	1
3	6012W201	Narrow (Inside) Fork	1
4	6012W204	Linkage Bar	1
5	6012W207	Linkage Bar	1
6	6012C205	Cylinder, 2-1/2 x 6	1
7	6012W203	1" Flange Pin	2
8	6012W205	1" Hex Head Pin	1
9	6012L118	Washer, Linkage	2
10	Z71911	Hex Bolt, 1-8NC x 4-1/2	1
11	Z29202	Grease Zerk 1/4NF	10
12	Z27222	Connex Bushing 1 x 2	2
13	Z27223	Connex Bushing 1 x 1	4
14	Z27227	Connex Bushing, 1 x 1-1/4 x 1/2 Groove Ctr	4
15	Z27226	Connex Bushing 1 x 1-1/2 x 3/8 Groove Ctr	2
16	Z72291	Hex Lock Nut, 1-8NC	1
17	Z76231	Carriage Bolt, 3/8NC x 1	3
18	Z72531	Serrated Flange Locknut, 3/8NC	3
19	Z46204	External Retaining Ring, 1"	2



ITEM	6012C205	Description	QTY.
1	6012C2053	Rod	1
2	6012C2054	Barrel, 2" / 2-1/2" Bore	1
3	G250-150S	Rod Gland	1
4	P100-250SP	2" / 2-1/2" Bore Piston	1
5	SLK-2515	Seal Kit	1
6	Z72272G8	Hex Lock Nut 3/4NF Grade 8	1

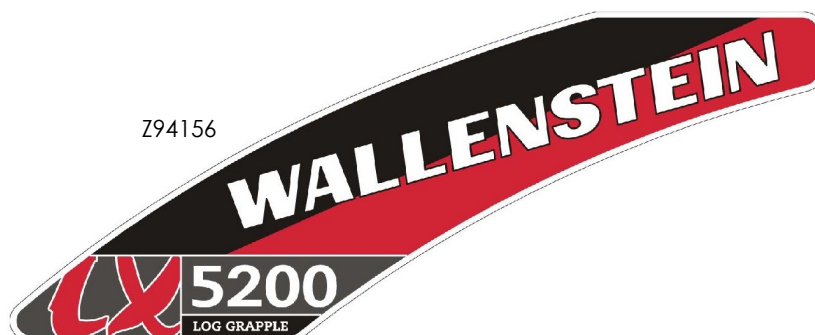
## LOG GRAPPLE DECAL BREAKDOWN

ITEM	PART NO.	DESCRIPTION	QTY
1	Z94155	LX5200 LH	1
2	Z94156	LX5200 RH	1
3	Z94019	Made in Canada	1
4	Z94033	Boom/ Grapple Hazard	1
5	emb-079	Read Manual	1





### LX5200 Decals



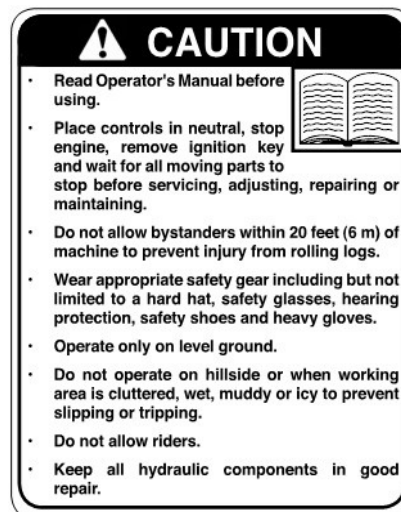
Z94019



Z94033

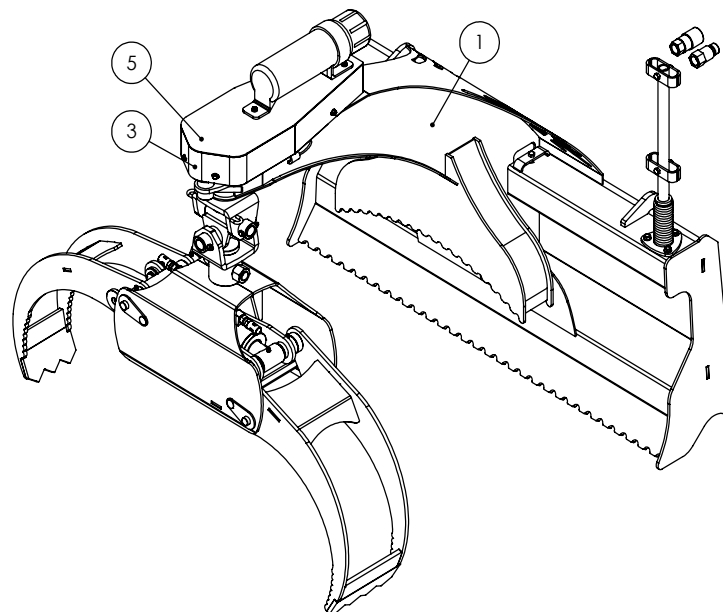
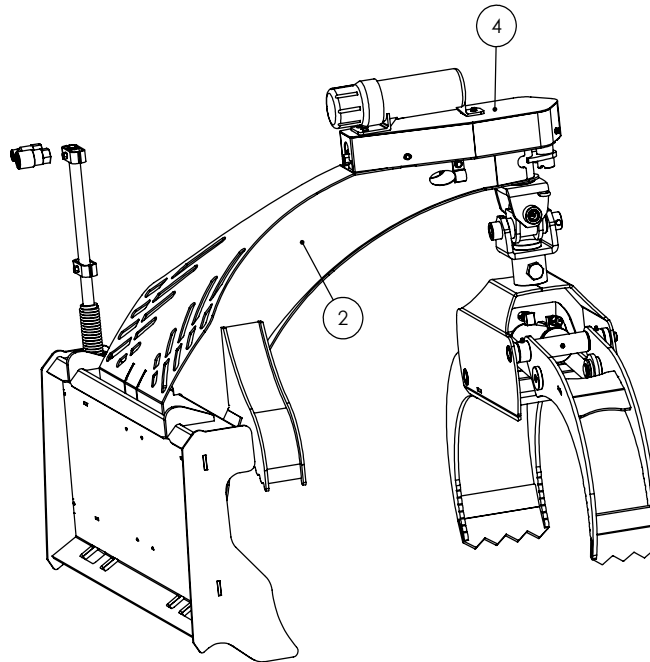


emb-079



## TWO PANEL LOG GRAPPLE DECAL BREAKDOWN

ITEM	PART NO.	DESCRIPTION	QTY
1	Z94155	LX5200 LH	1
2	Z94156	LX5200 RH	1
3	Z94019	Made in Canada	1
4	Z94033	Boom/ Grapple Hazard	1
5	emb-079	Read Manual	1



### Two Panel LX5200 Decals

Z94156



Z94019



Z94155



Z94119



Z94166





**WALLENSTEIN Products Manufactured by:**

**EMB MFG Inc.**

4144 Boomer Line  
St. Clements, Ontario  
Canada N0B 2M0  
Phone: 1-877-695-9283  
Fax: 519-699-4146  
[www.embmfg.com](http://www.embmfg.com)