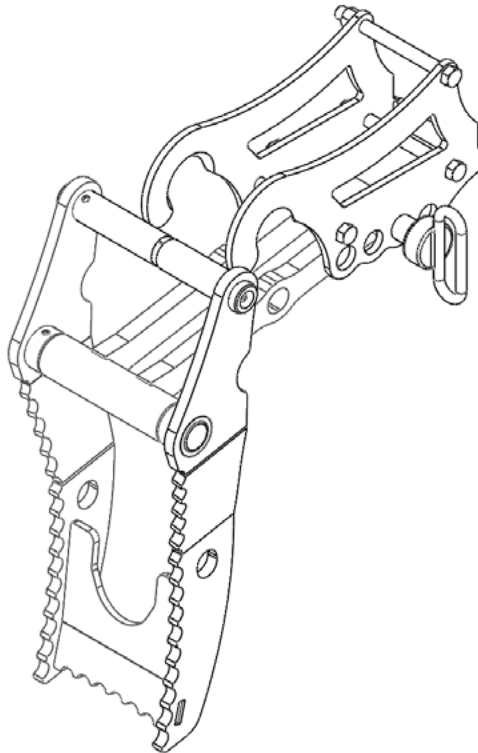




EMB Manufacturing Inc.
4144 Boomer Line · St. Clements, On · N0B 2M0 · Canada
Ph: (519) 699-9283 · Fax: (519) 699-4146
www.wallensteinequipment.com

BackHoe Thumbs Parts Manual

BT5230, BT5250, BT5260, BT5270, BT5280,
BT5290, BT5300, BT5310, BT5320 BT5330,
BT5340 & BT5350



Refer to the operators
manual for safe opera-
tion and maintenance

Contents

BT5230 & BT5250 THUMB PARTS BREAKDOWN	3
BT5260 THUMB PARTS BREAKDOWN	4
BT5270 THUMB PARTS BREAKDOWN	5
BT5280 THUMB PARTS BREAKDOWN	6
BT5290 THUMB PARTS BREAKDOWN	7
BT5300 THUMB PARTS BREAKDOWN	8
BT5310 THUMB PARTS BREAKDOWN	9
BT5320 THUMB PARTS BREAKDOWN	10
BT5330 THUMB PARTS BREAKDOWN	11
BT5340 THUMB PARTS BREAKDOWN	12
BT5350 THUMB PARTS BREAKDOWN	13

Foreword

EMB Mfg. has prepared this parts manual to assist customers in ordering quality OEM replacement parts.

Proper and regular service and replacing old, worn or broken parts with the correct Wallenstein parts are essential to prolonging the life of your Wallenstein product. Please refer to this manual before ordering any replacement parts.

All information contained in this parts manual is based on the latest product specification available at the time of printing this manual. If your product differs from the specifications contained within this manual contact EMB Mfg. for information.

EMB reserves the right to alter specifications on their products at any time.

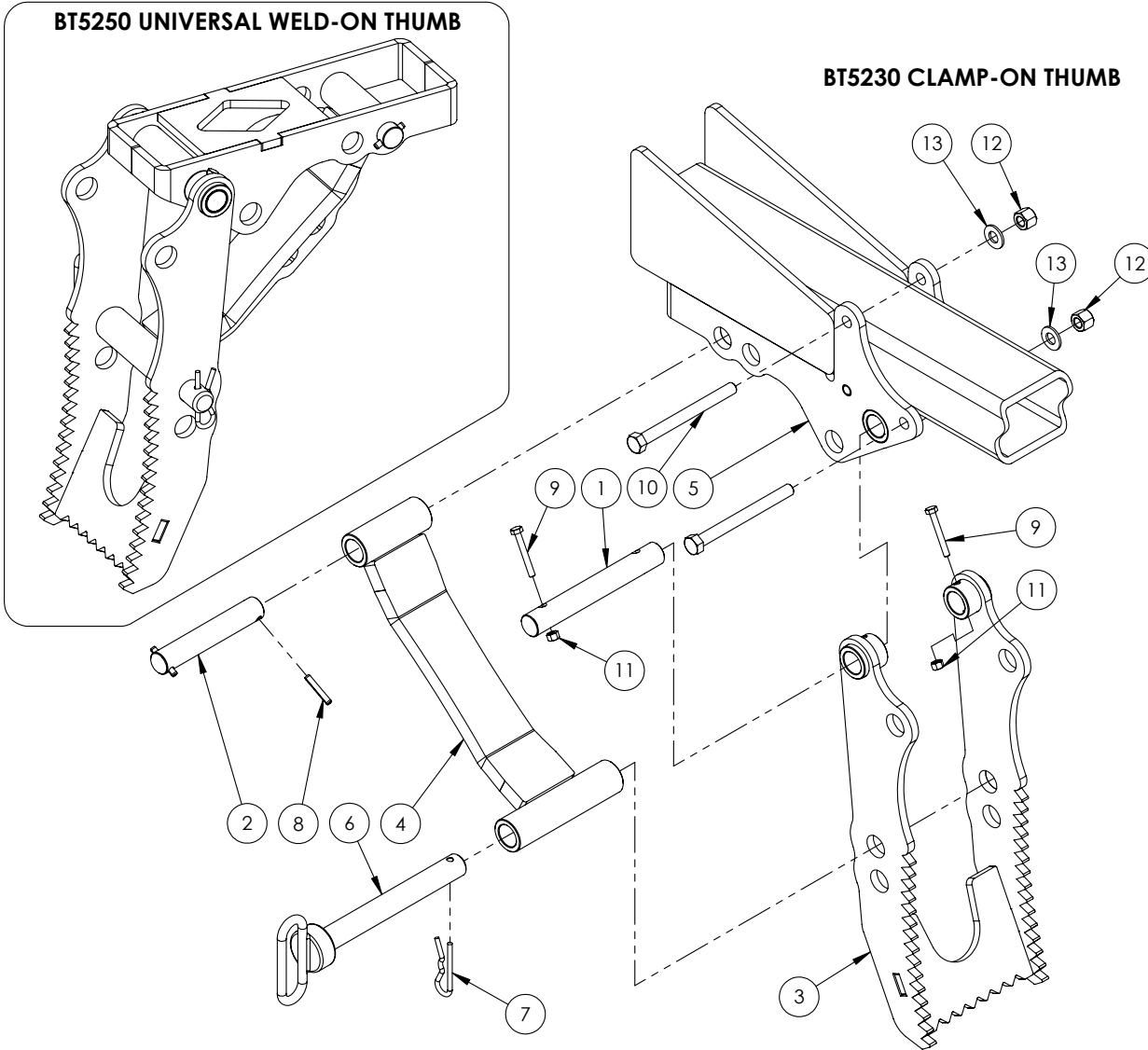
Reproduction of this parts manual of any kind is prohibited without prior written permission from EMB Mfg.

For parts and information please contact your dealer. If your dealer is no longer available please go to our website: <http://www.embmfg.com> and click on "FIND A DEALER NEAR YOU" for information on a local dealer.

BT5230 & BT5250 Thumb Parts Breakdown

BT5250 UNIVERSAL WELD-ON THUMB

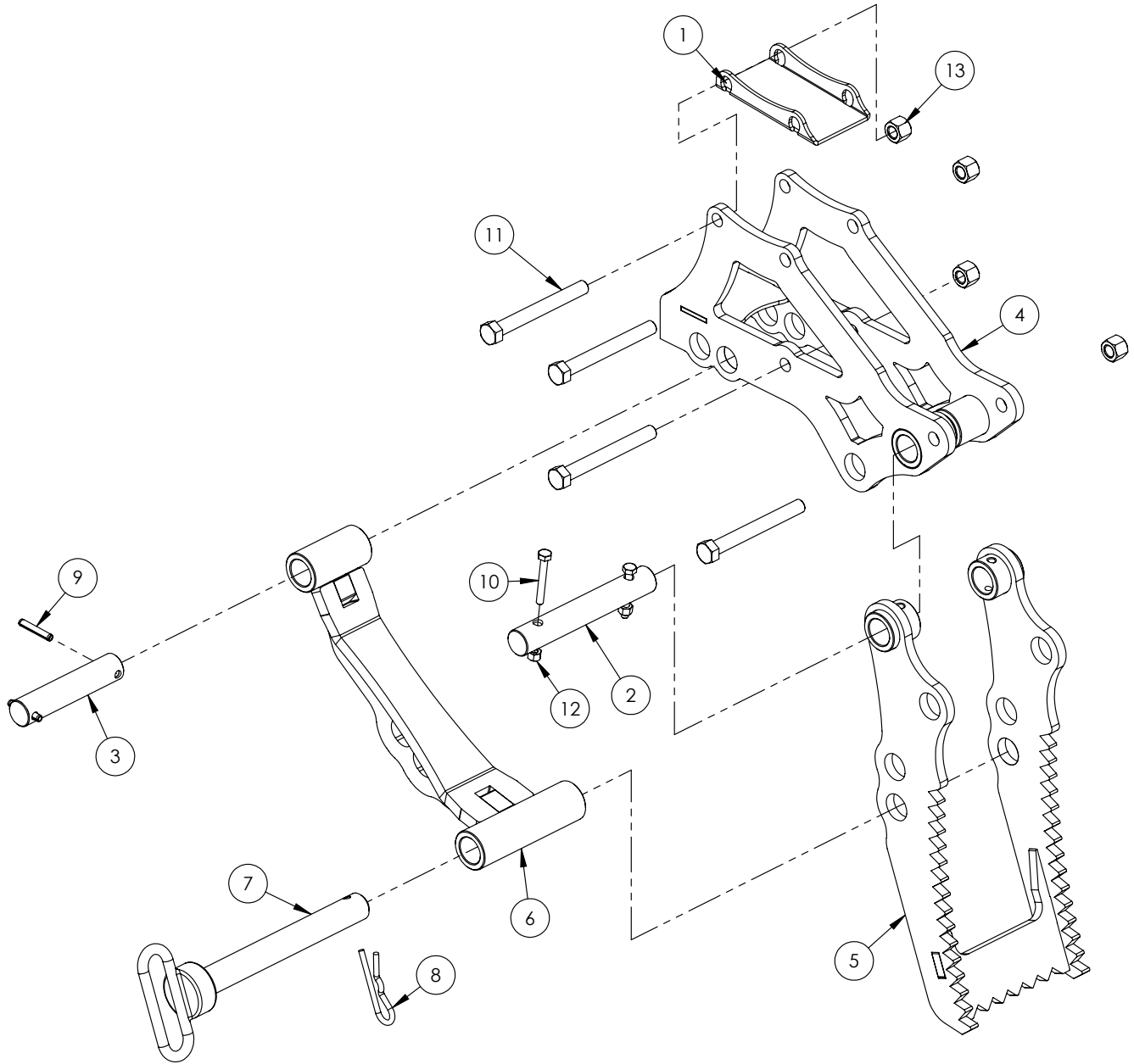
BT5230 CLAMP-ON THUMB



BT5230 / BT5250 THUMB PARTS BREAKDOWN

ITEM	BT5230	BT5250	DESCRIPTION	QTY.
1	3083M023		Pin, Main Pivot	1
2	3083M024		Pin, Rear Brace	1
3	3083W021		Thumb	1
4	3083W022		Brace	1
5	3083W023	3083W043	Main Frame	1
6	Z11263		Hitch Pin 1 x 7-1/2	1
7	Z12230		Clip, Hitch Pin 3/16	1
8	Z14171		Roll Pin, 1/4 x 1-1/2	2
9	Z71120		Hex Bolt 1/4NC x 2	2
10	Z71555	-	Hex Bolt 1/2NC x 5-1/2	2
11	Z72111		Hex Lock Nut 1/4NC	2
12	Z72251	-	Hex Lock Nut 1/2NC	2
13	Z73150	-	Flat Washer 1/2	2

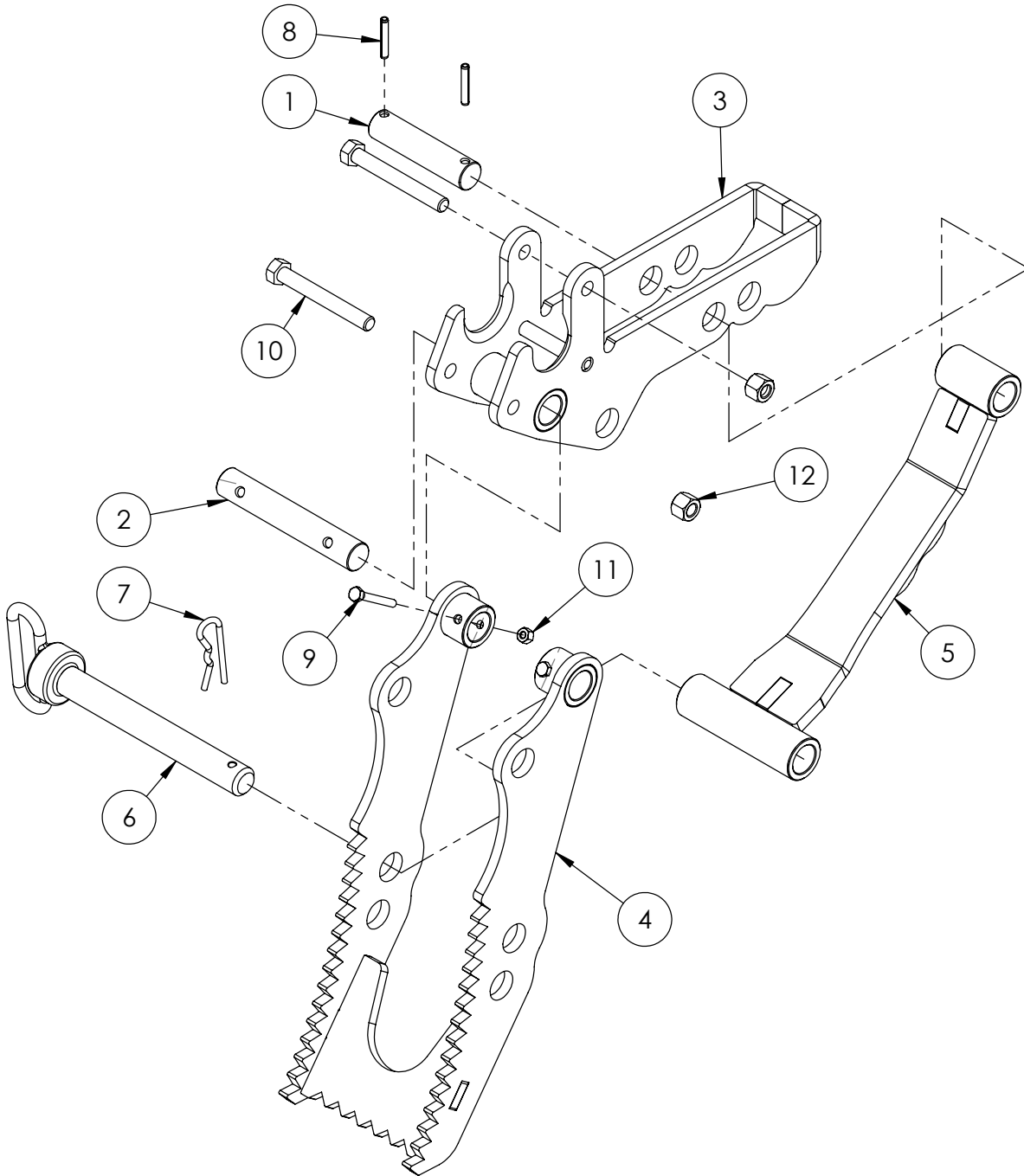
BT5260 Thumb Parts Breakdown



BT5260 MECHANICAL THUMB FOR KUBOTA BX22

ITEM	PART NO.	Description	QTY.
1	3083L057	Cap, Upper	1
2	3083M052	Pin, Main Pivot	1
3	3083M056	Pin, Back Brace	1
4	3083W051	Main Frame	1
5	3083W052	Thumb	1
6	3083W053	Brace	1
7	Z11263	Hitch Pin 1 x 7-1/2	1
8	Z12230	Clip, Hitch Pin 3/16	1
9	Z14171	Roll Pin, 1/4 x 1-1/2	2
10	Z71120	Hex Bolt 1/4NC x 2	2
11	Z71545	Hex Bolt, 1/2NC x 4-1/2	4
12	Z72111	Hex Lock Nut 1/4NC	2
13	Z72251	Hex Lock Nut 1/2NC	4

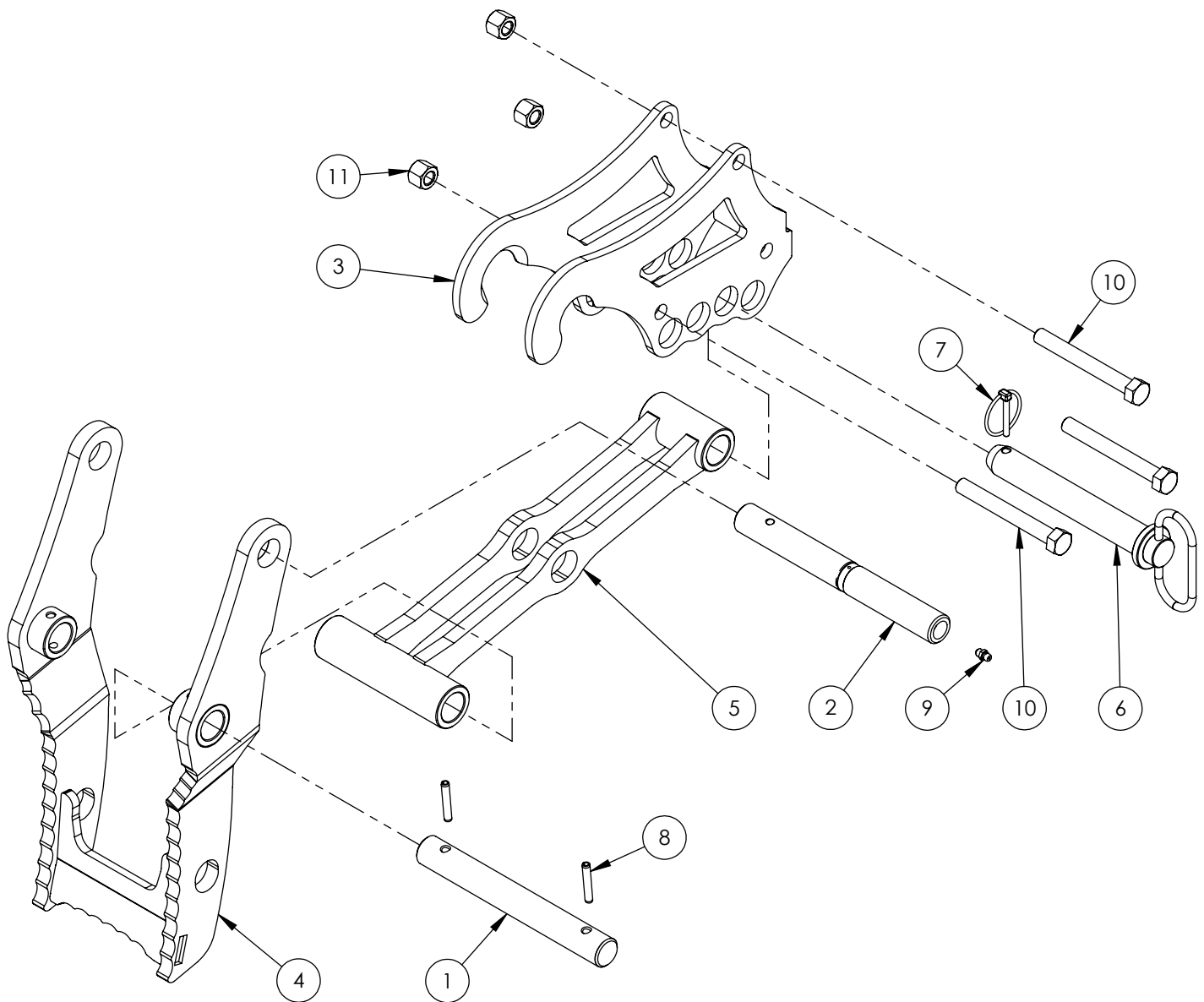
BT5270 Thumb Parts Breakdown



BT5270 GX500 MECH THUMB PARTS BREAKDOWN

ITEM	PART NO.	Description	QTY.
1	3083M011	Link Pivot Pin	1
2	3083M016	Claw Pivot Pin	1
3	3083W011	Weldment, Main Base	1
4	3083W012	Thumb, Moveable Claw	1
5	3083W013	Brace Link	1
6	Z11263	Hitch Pin 1 x 7-1/2	1
7	Z12230	Clip, Hitch Pin 3/16	1
8	Z14171	Roll Pin, 1/4 x 1-1/2	2
9	Z71120	Hex Bolt 1/4NC x 2	2
10	Z71540	Hex Bolt 1/2NC x 4	2
11	Z72111	Hex Lock Nut 1/4NC	2
12	Z72251	Hex Lock Nut 1/2NC	2

BT5280 Thumb Parts Breakdown

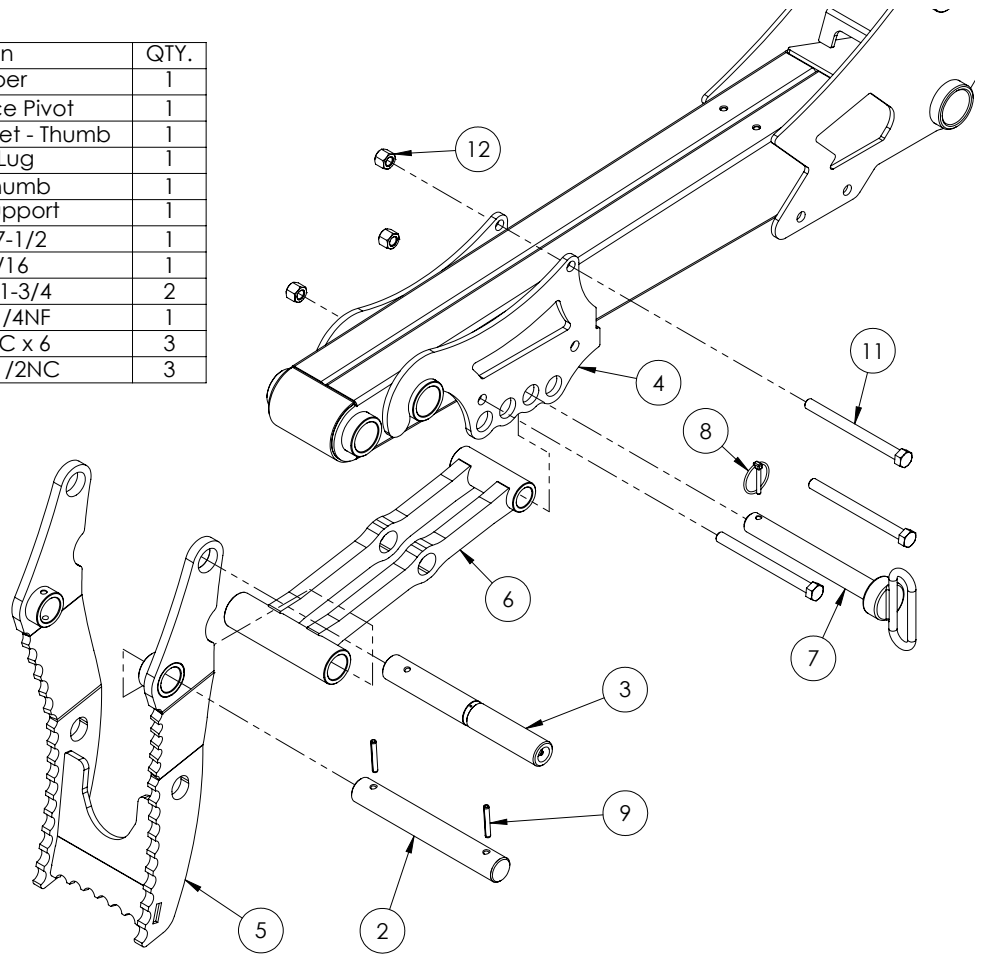


BT5280 THUMB PARTS BREAKDOWN

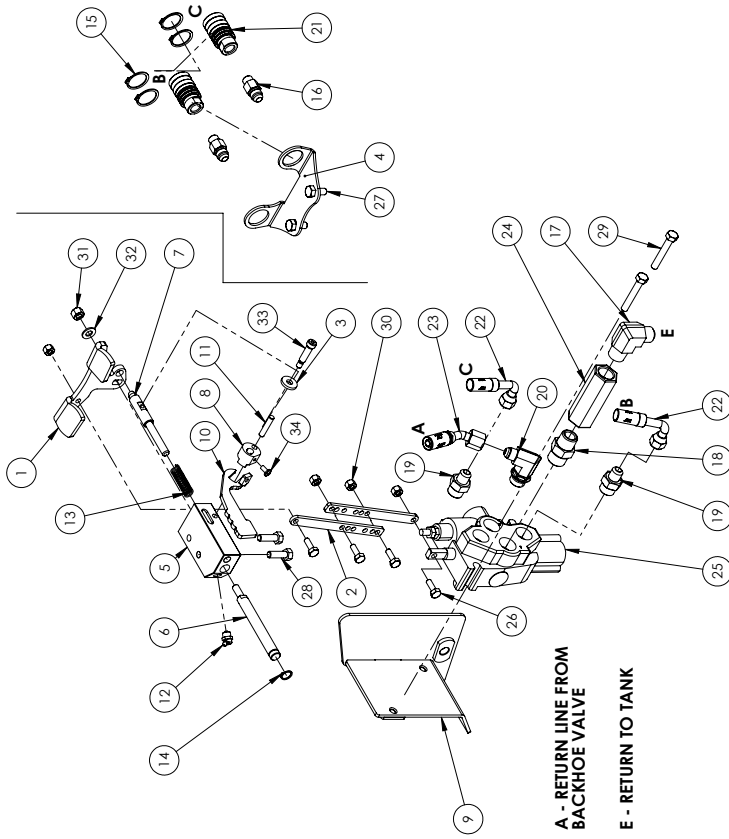
ITEM	PART NO.	Description	QTY.
1	3083M063	Pin, Thumb Brace Pivot	1
2	3083M064	Pin, Extended Bucket - Thumb	1
3	3083W060	Weldment, Lug	1
4	3083W061	Weldment, Thumb	1
5	3083W062	Link, Thumb Support	1
6	Z11261	Hitch Pin 1 x 6-1/4	1
7	Z12110	Latch Pin 3/16	1
8	Z14171	Roll Pin, 1/4 x 1-1/2	2
9	Z29202	Grease Zerk 1/4NF	1
10	Z71542	Hex Bolt 1/2NC x 4-1/4	3
11	Z72251	Hex Lock Nut 1/2NC	3

BT5290 Thumb Parts Breakdown

ITEM	PART NO.	Description	QTY.
1	3012W201	Boom, Dipper	1
2	3083M073	Pin, Thumb Brace Pivot	1
3	3083M074	Pin, Extended Bucket - Thumb	1
4	3083W070	Weldment, Lug	1
5	3083W071	Weldment, Thumb	1
6	3083W072	Link, Thumb Support	1
7	Z11263	Hitch Pin 1 x 7-1/2	1
8	Z12110	Latch Pin 3/16	1
9	Z14172	Roll Pin, 1/4 x 1-3/4	2
10	Z29202	Grease Zerk 1/4NF	1
11	Z71560	Hex Bolt 1/2NC x 6	3
12	Z72251	Hex Lock Nut 1/2NC	3



BT5300 Thumb Parts Breakdown

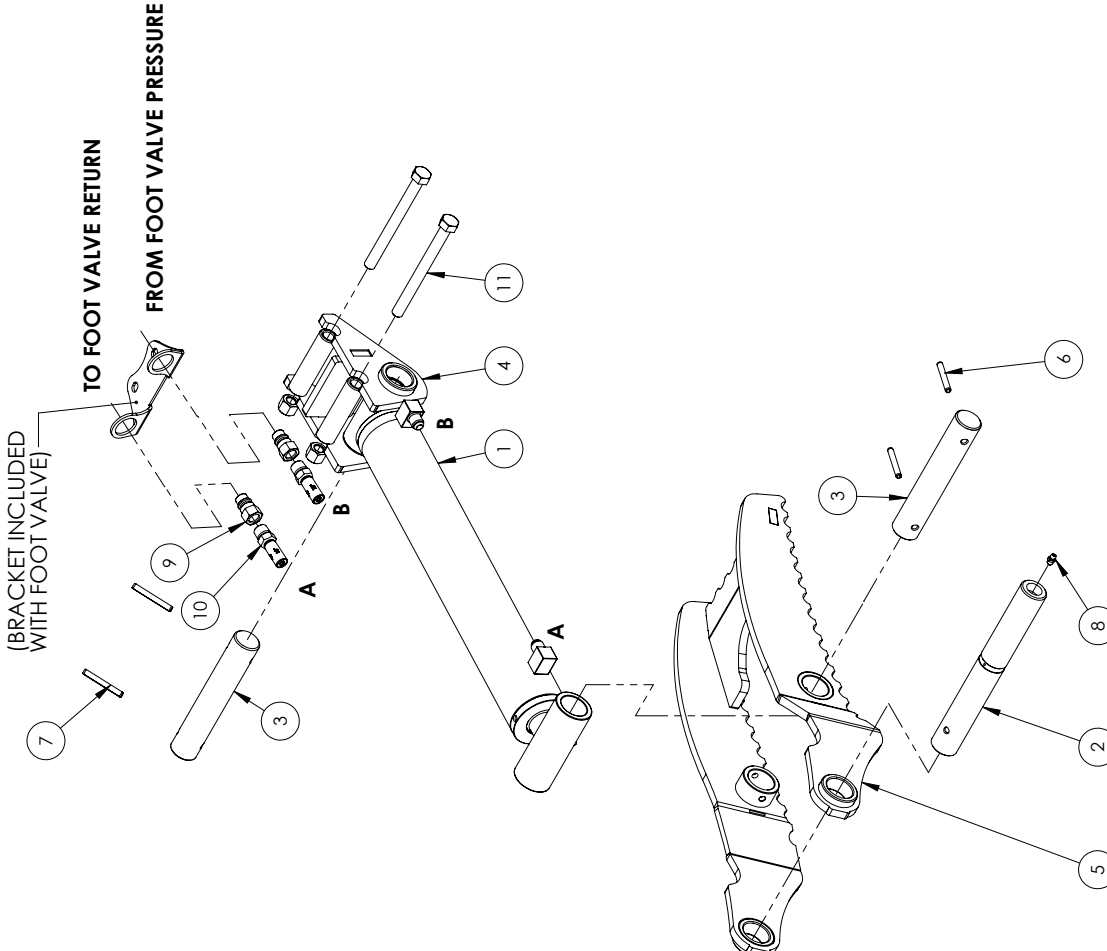


A - RETURN LINE FROM BACKHOE VALVE

E - RETURN TO TANK

GX720/920 AUXILIARY VALVE PARTS BREAKDOWN

ITEM	PART NO.	Description	QTY.	PARTNO.	Description	QTY.
1	3083M033	Pedal Foot Rocker	1	18	#10 ORB x 1/2NPT	1
2	3083M034	Link, Adjustable Valve	2	19	#8ORB x #6JIC	2
3	3083M035	Washer, Capable	2	20	#6JIC x #8ORB 90°	2
4	3083M036	Bracket, Pedal Rocker	1	21	1/4RNF x 3/4	2
5	3083M037	Block, Pedal Rocker	1	22	7/32 1/3	2
6	3083M038	Shaft, Rocker	1	23	3/8 Hose, #8JIC x #6JIC 90° x 120°	2
7	3083M039	Shaft, Lock	1	24	3/8 Hose, #8JIC x #6JIC 45° x 20°	1
8	3083M040	Cam, Side Rotating	1	25	Check Valve 1/2NPT QPSI	1
9	3083M041	Bracket, Valve	1	26	Single Function Valve	1
10	3083M042	Weldment, Safety Bar	1	27	Hex Bolt 1/4NC x 3/4	4
11	713172	Dowel Pin, 1/4 x 1 1/4	1	28	Hex Bolt 5/16NC x 1	2
12	713173	Spring Ring, 1/2	1	29	Hex Bolt 5/16NC x 1	2
13	713174	Spring Ring, 3/4	1	30	Hex Bolt 5/16NC	2
14	746201	Retaining Ring, 1/2	1	31	Hex Lock Nut, 5/16NC	4
15	746202	External Retaining Ring, 1"	1	32	Washer, 5/16	4
16	751444	#6JIC x 1/4NPT	2	33	Shoulder Bolt 5/16 x 1	1
17	751451	#8JIC x 1/2NPT 90 Elbow	1	34	Machine Screw #10NF x 3/8	1



(BRACKET INCLUDED WITH FOOT VALVE)

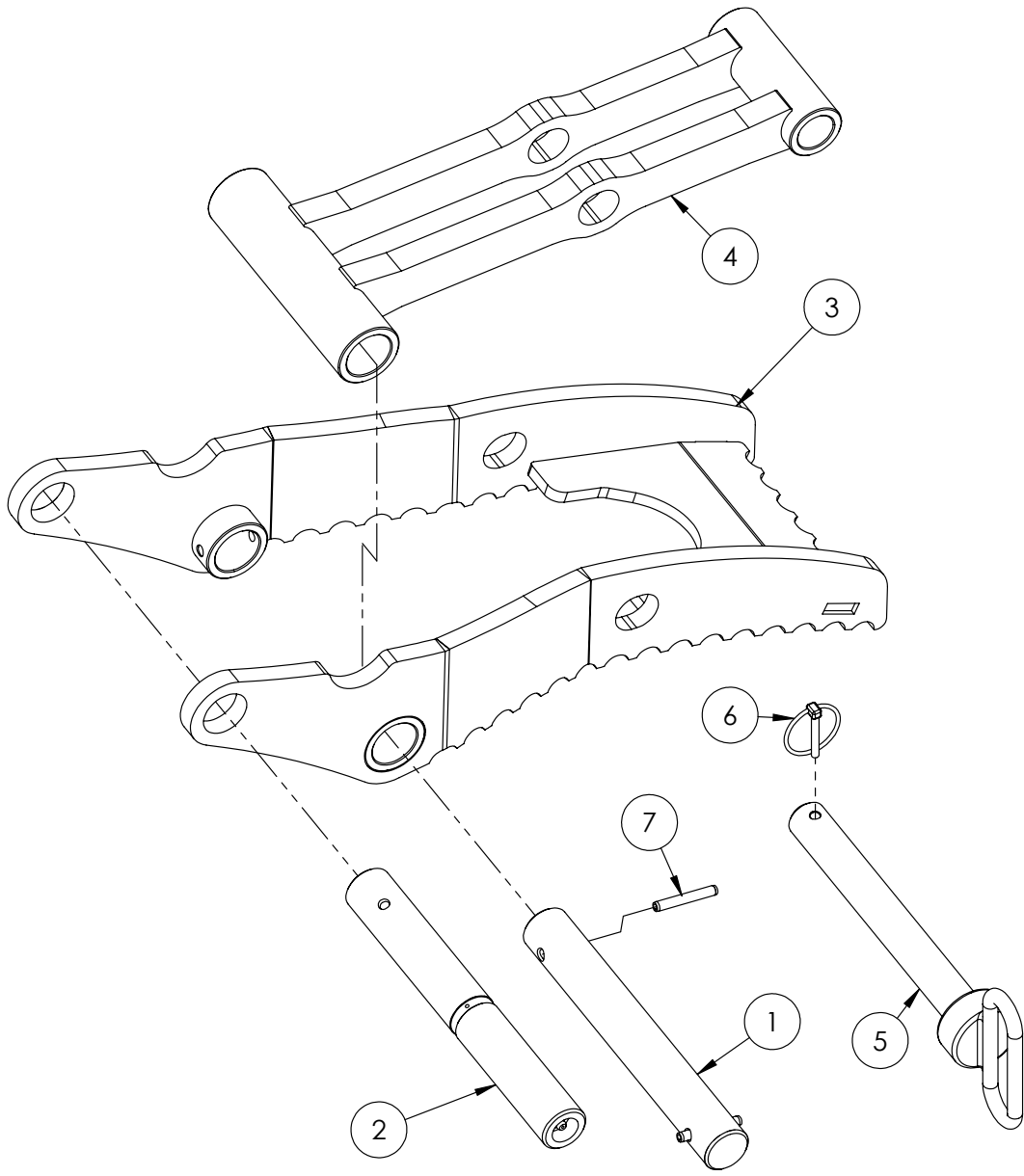
TO FOOT VALVE RETURN

FROM FOOT VALVE PRESSURE

BT5300 HYDRAULIC THUMB PARTS BREAKDOWN

ITEM	PARTNO.	Description	QTY.
1	3083C092	Cylinder, 2-1/4x1-1/4x	1
2	3083M074	Pin, Extended Bucket - Thumb	1
3	3083M093	Pin, Cylinder Mount	2
4	3083W090	Weldment, Lug	1
5	3083W091	Weldment, Thumb	1
6	714172	Roll Pin, 1/4 x 1-3/4	2
7	714173	Roll Pin, 1/4 x 2	2
8	729202	Grease Zerk 1/4NF	3
9	751917	1/4FNPT x Safeway S41-2	2
10	752112	1/4 Hose, 3/8NPT x #6JIC x 18	2
11	771555	Hex Bolt 1/2NC x 5-1/2	2

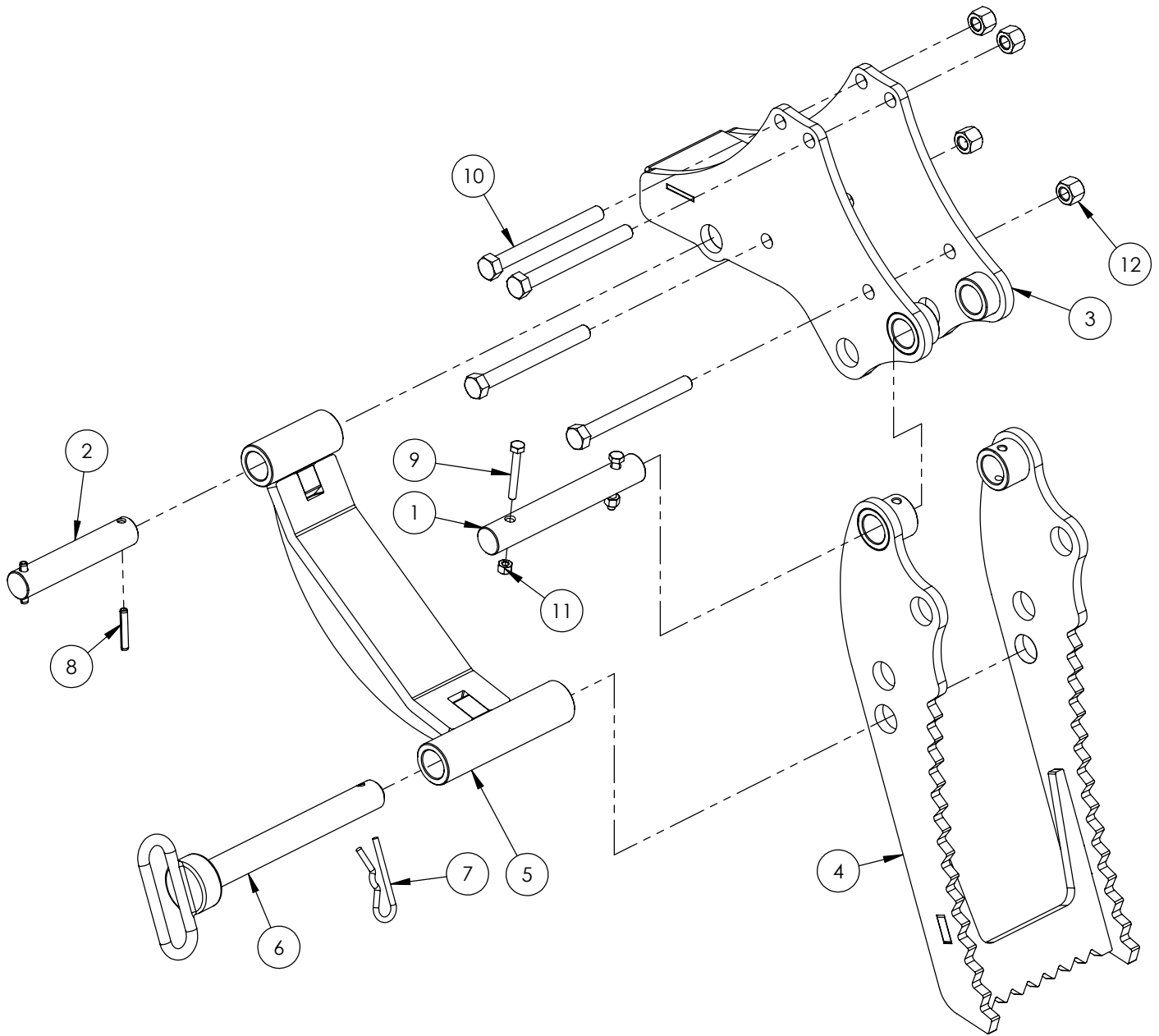
BT5310 Thumb Parts Breakdown



BT5310 QC620 THUMB PARTS BREAKDOWN

ITEM	PART NO.	Description	QTY.
1	3083M073	Pin, Thumb Brace Pivot	1
2	3083M074	Pin, Extended Bucket - Thumb	1
3	3083W071	Weldment, Thumb	1
4	3083W072	Link, Thumb Support	1
5	Z11263	Hitch Pin 1 x 7-1/2	1
6	Z12110	Latch Pin 3/16	1
7	Z14172	Roll Pin, 1/4 x 1-3/4	2
8	Z29202	Grease Zerk 1/4NF	1

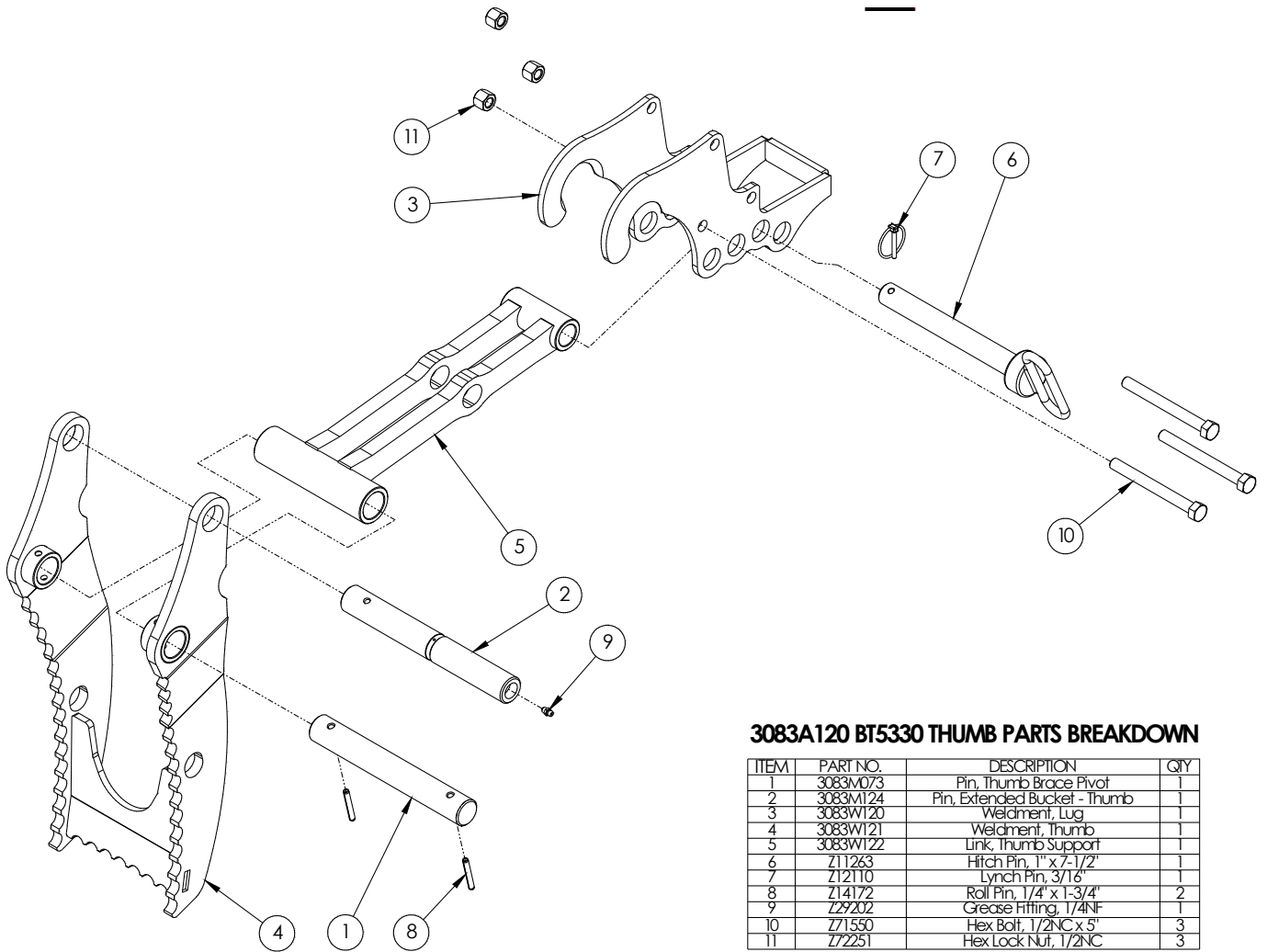
BT5320 Thumb Parts Breakdown



BT5320 KIOTI THUMB MASTER BOM

ITEM	PART NO.	DESCRIPTION	QTY
1	3083M112	Pin, Main Pivot	1
2	3083M116	Pin, Back Brace	1
3	3083W111	Main Frame	1
4	3083W112B	Thumb	1
5	3083W113B	Brace	1
6	Z11263	Hitch Pin 1 x 7-1/2	1
7	Z12230	Clip, Hitch Pin 3/16	1
8	Z14171	Roll Pin, 1/4 x 1-1/2	2
9	Z71120	Hex Bolt 1/4NC x 2	2
10	Z71550	Hex Bolt, 1/2NC x 5	4
11	Z72111	Hex Lock Nut 1/4NC	2
12	Z72251	Hex Lock Nut 1/2NC	4

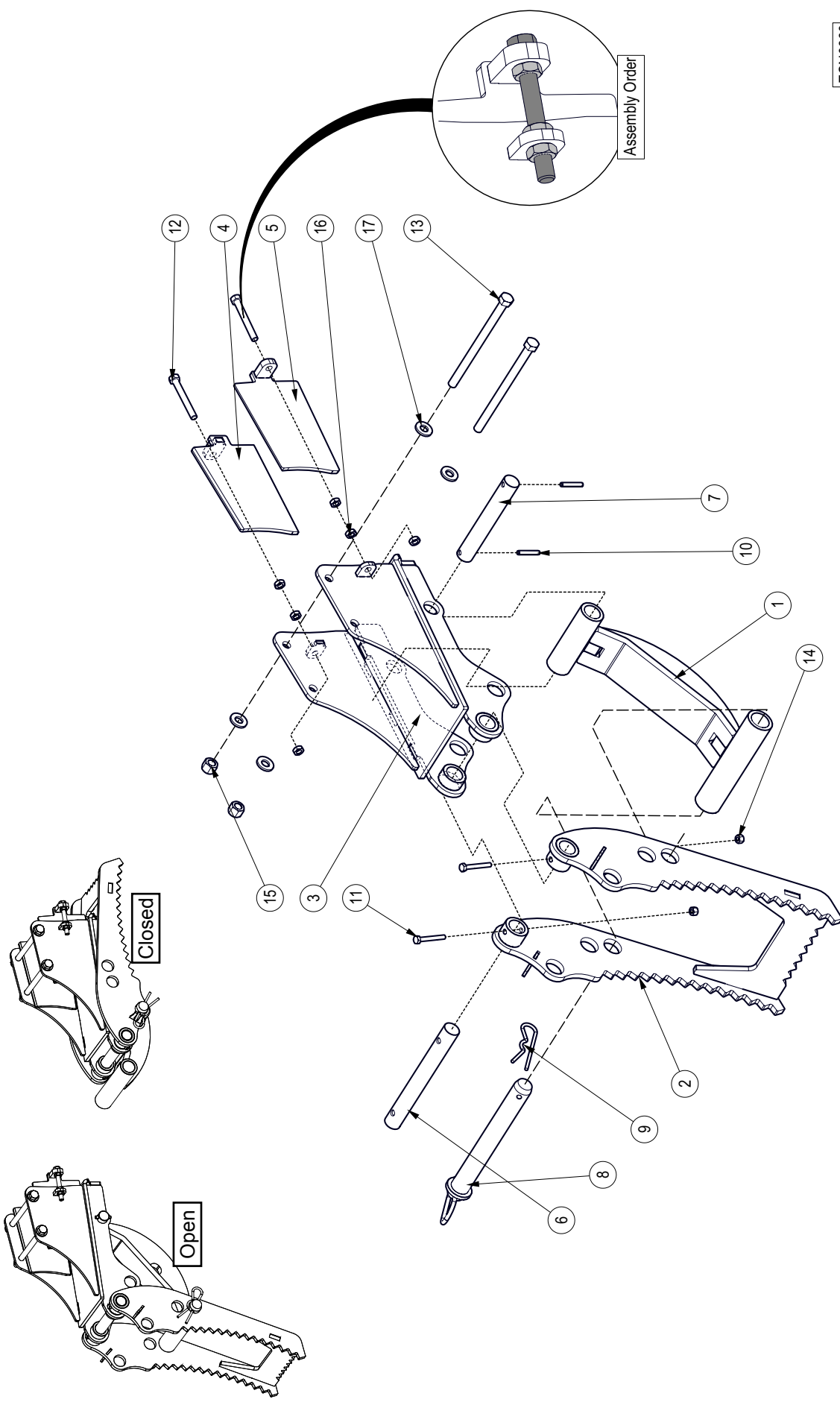
BT5330 Thumb Parts Breakdown



3083A120 BT5330 THUMB PARTS BREAKDOWN

ITEM	PART NO.	DESCRIPTION	QTY
1	3083M073	Pin, Thumb Brace Pivot	1
2	3083M124	Pin, Extended Bucket - Thumb	1
3	3083W120	Weldment, Lug	1
4	3083W121	Weldment, Thumb	1
5	3083W122	Link, Thumb Support	1
6	Z11263	Hitch Pin, 1" x 7-1/2"	1
7	Z12110	Lynch Pin, 3/16"	1
8	Z14172	Roll Pin, 1/4" x 1-3/4"	2
9	Z29202	Grease Fitting, 1/4NF	1
10	Z71550	Hex Bolt, 1/2NC x 5"	3
11	Z72251	Hex Lock Nut, 1/2NC	3

BT5340 Thumb Parts Breakdown



ECN0369

BOM ID	Part No.	Description	Qty
13	Z71569	Hex Bolt, 1/2NC x 7-1/2"	2
14	Z72211	Hex Lock Nut, 1/4NC	2
15	Z72251	Hex Lock Nut, 1/2NC	2
16	Z72331	Jam Nut, 3/8NC	6
17	Z73151	SAE Washer, 1/2"	4

BOM ID	Part No.	Description	Qty
7	3083M134	Pin, Back Brace	1
8	Z11273	Hitch Pin, 1-1/8" x 8-1/2"	1
9	Z12250	Hitch Pin Clip, 3/16" x 4"	1
10	Z14171	Roll Pin, 1/4" x 1-1/2"	2
11	Z71120	Hex Bolt, 1/4NC x 2"	2
12	Z71391	Hex Bolt, 3/8NC x 3" Full Threads	2

BOM ID	Part No.	Description	Qty
1	3083W132	Brace	1
2	3083W133	Thumb	1
3	3083W134	Main Frame Weldment	1
4	3083W135	Weldment, Lockout RH	1
5	3083W135H	Weldment, Lockout LH	1
6	3083M133	Pin, Main Pivot	1

BT5350 Thumb Parts Breakdown

ITEM	PART NO.	DESCRIPTION	QTY
1	3083M112	Pin, Main Pivot	1
2	3083M116	Pin, Back Brace	1
3	3083W112	Thumb	1
4	3083W113	Brace	1
5	3083W141	Main Frame Weldment	1
6	Z11263	Hitch Pin, 1" x 7-1/2"	1
7	Z12250	Hitch Pin Clip, 3/16" x 4"	1
8	Z14171	Roll Pin, 1/4" x 1-1/2"	2
9	Z71120	Hex Bolt, 1/4NC x 2"	2
10	Z71550	Hex Bolt, 1/2NC x 5"	4
11	Z72211	Hex Lock Nut, 1/4NC	2
12	Z72251	Hex Lock Nut, 1/2NC	4

