



EMB Manufacturing Inc.  
4144 Boomer Line · St. Clements, On · N0B 2M0 · Canada  
Ph: (519) 699-9283 · Fax: (519) 699-4146  
www.embmfg.com

# GX720 Ranchho Backhoe Parts Manual

Starting with S/N 3720260 to 3720772



GX720

## Foreword

EMB Mfg. has prepared this parts manual to assist customers in ordering quality OEM replacement parts.

Proper and regular service and replacing old, worn or broken parts with the correct OEM parts are essential to prolonging the life of your EMB product. Please refer to this manual before ordering any replacement parts.

All information contained in this parts manual is based on the latest product specification available at the time of printing this manual. If your product differs from the specifications contained within this manual contact EMB Mfg. for information.

EMB reserves the right to alter specifications on their products at any time.

Reproduction of this parts manual of any kind is prohibited without prior written permission from EMB Mfg.

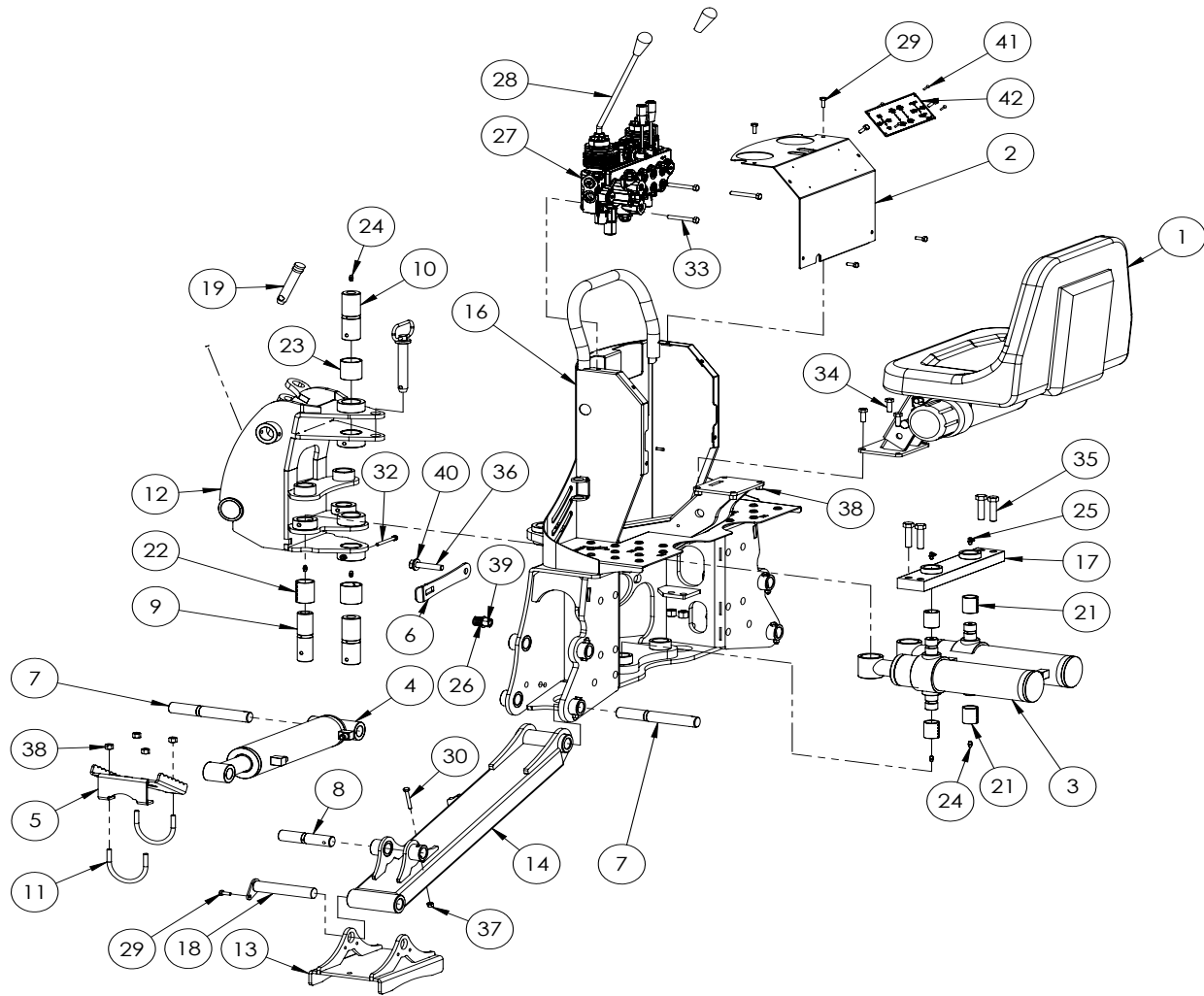


Refer to the operators  
manual for safe opera-  
tion and maintainance

For parts and information please contact your dealer. If your dealer is no longer availalble please go to our website: <http://www.embmfg.com> and click on "FIND A DEALER NEAR YOU" for information on a local dealer.

## Table of Contents

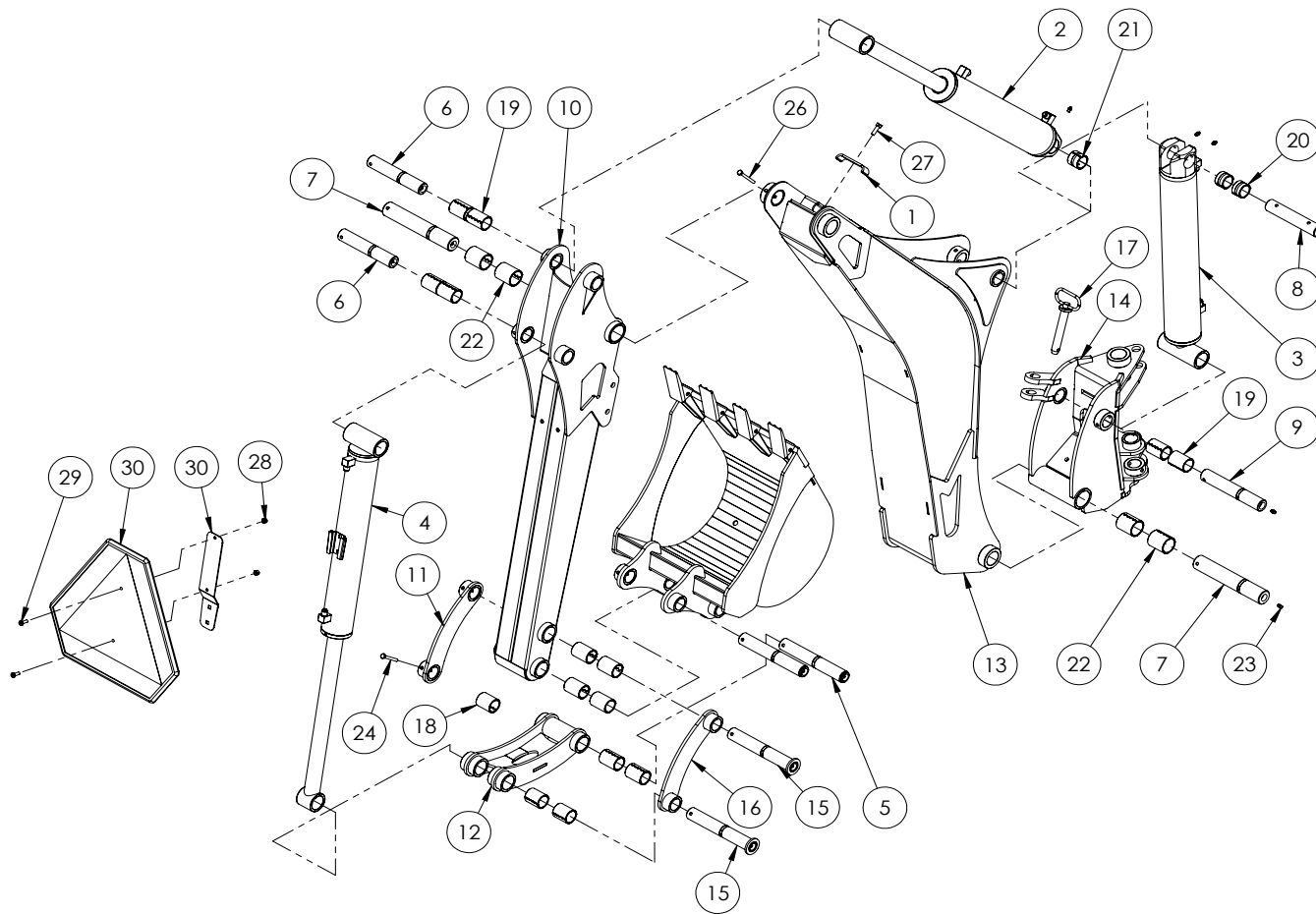
Main Frame	4
Boom	5
Bucket & Seat Assembly	6
Hydraulic Schematic & Parts	7
Cylinders	8
Valve & Parts	10 & 11
Hydraulic Thumb & Auxillary Valve (Optional)	12
Pump Kit (Optional)	14
Decals	16



**GX720 / GX920 MAIN BASE PARTS BREAKDOWN**

ITEM	PART NO.	Description	QTY.
1	3011A102	Seat Assembly	1
2	3011L138	Shield, Control Valve	1
3	3012C203	Cylinder, 2-1/2 x 7-3/4 Stroke	2
4	3012C204	Cylinder, 2-1/2 x 9-1/2 Stroke	2
5	3012L278	Step, Stabilizer	2
6	3012L279	Plate, Stabilizer Lock	2
7	3012M206	Pin, Linkage 1"	4
8	3012M214	Pin, Linkage 1"	2
9	3012M220	Pin, Linkage 1-1/4	2
10	3012M233	Pin, Swing Cylinder	2
11	3012S204	U-Bolt, Stab Step	4
12	3012W205	Swing Tower Assembly	1
13	3012W207	Foot Pad, Stabilizer	2
14	3012W208	Stabilizer, LH	1
15	3012W209	Stabilizer, RH	1
16	3012W210	Base, Main Frame	1
17	3012W214	Bar, Swing Cylinder Retaining	1
18	3012W218	Flange Pin, Foot Pad	2
19	Z11121	Toplink Pin 3/4 x 2-3/4	1
20	Z11242	Hitch Pin 3/4 x 4-1/4	1
21	Z27221	Connex Bushing 1 x 1-1/2	4
22	Z27232	Connex Bushing 1-1/4 x 2	2
23	Z27241	Connex Bushing 1-1/2 x 1-3/4	2
24	Z29202	Grease Zerk 1/4NF	12
25	Z29203	Grease Zerk 90, 1/4NF	2

ITEM	PART NO.	Description	QTY.
26	Z32302	Med Spring .845 x 1-1/4	2
27	Z56202	Monoblock 6-Section Valve	1
28	Z56910	Backhoe lever, bent 12"	2
29	Z71107	Hex Bolt 1/4NC x 3/4	8
30	Z71120	Hex Bolt 1/4NC x 2	6
31	Z71125	Hex Bolt 1/4NC x 2-1/2	3
32	Z71127	Hex Bolt, 1/4NC x 2-3/4	2
33	Z71225	Hex Bolt 5/16NC x 2-1/2	3
34	Z71310	Hex Bolt 3/8NC x 1	4
35	Z71520	Hex Bolt 1/2NC x 2	4
36	Z71525	Hex Bolt 1/2NC x 2-1/2	2
37	Z72111	Hex Lock Nut 1/4NC	11
38	Z72231	Hex Lock Nut 3/8NC	12
39	Z72251	Hex Lock Nut 1/2NC	6
40	Z73151	Flat Washer, 1/2	6
41	Z79302	Rivet, 1/8 x 1/2	4
42	Z94035	Plate, Control	1

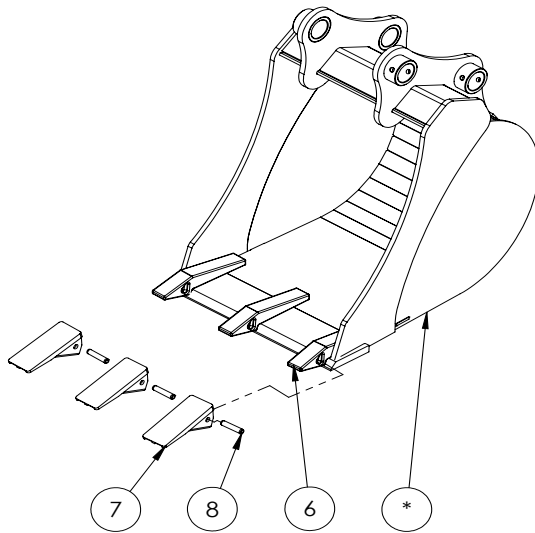


**GX720 / GX920 BOOM PARTS BREAKDOWN**

ITEM	GX720	GX920	Description	QTY.
1		3011L176	Clamp, Two Hose	1
2	3012C205	3013C305	Cylinder, 3 x 14-3/4 Stroke	1
3	3012C206	3013C306	Cylinder, 3 x 16-3/4 Stroke	1
4		3012C207	Cylinder, 2-1/2x14-3/4 Stroke	1
5		3012M209	Pin, Linkage 1-1/4 x 8-3/8	2
6		3012M210	Pin, Linkage 1-1/4 x 7	2
7		3012M213	Pin, Linkage 1-1/2	2
8		3012M215	Pin, Linkage 1-1/4	1
9		3012M236	Pin, Linkage 1-1/4	1
10		3012W201   3013W301	Boom, Dipper	1
11		3012W202	Linkage, LH Bucket	1
12		3012W203	Linkage, Bucket	1
13		3012W204   3013W304	Boom, Main	1
14		3012W205	Swing Tower Assembly	1
15		3012W217	Bucket Pin w/ Washer	2
16		3012W220	Linkage, RH Bucket	1
17		Z11242	Hitch Pin 3/4 x 4-1/4	1
18		Z27231	Connex Bushing 1-1/4 x 1-3/4	3
19		Z27232	Connex Bushing 1-1/4 x 2	12
20		Z27233	Connex Bushing 1-1/4 x 1 Grooved	2
21		Z27234	Connex Bushing 1-1/4 x 1-1/4 Grooved	1
22		Z27242	Connex Bushing 1-1/2 x 2	4
23		Z29202	Grease Zerk 1/4NF	12
24		Z71122	Hex Bolt 1/4NC x 2-1/4	6
25		Z71125	Hex Bolt 1/4NC x 2-1/2	3
26		Z71127	Hex Bolt, 1/4NC x 2-3/4	2
27		Z71210	Hex Bolt 5/16NC x 1	1
28		Z72111	Hex Lock Nut 1/4NC	13
29		Z78301	Pan Head Machine Screw 1/4NC x 3/4	2
30		Z96605	SMV Spade & Socket	1

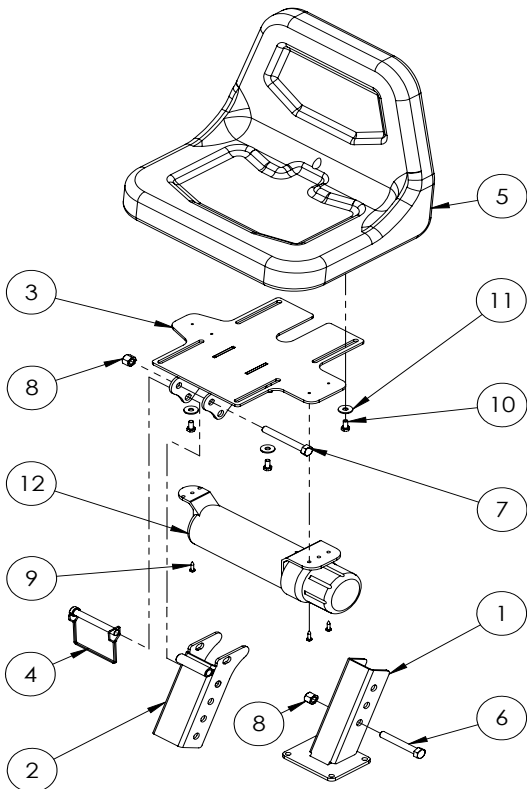
**GX720 / GX920 BUCKETS**

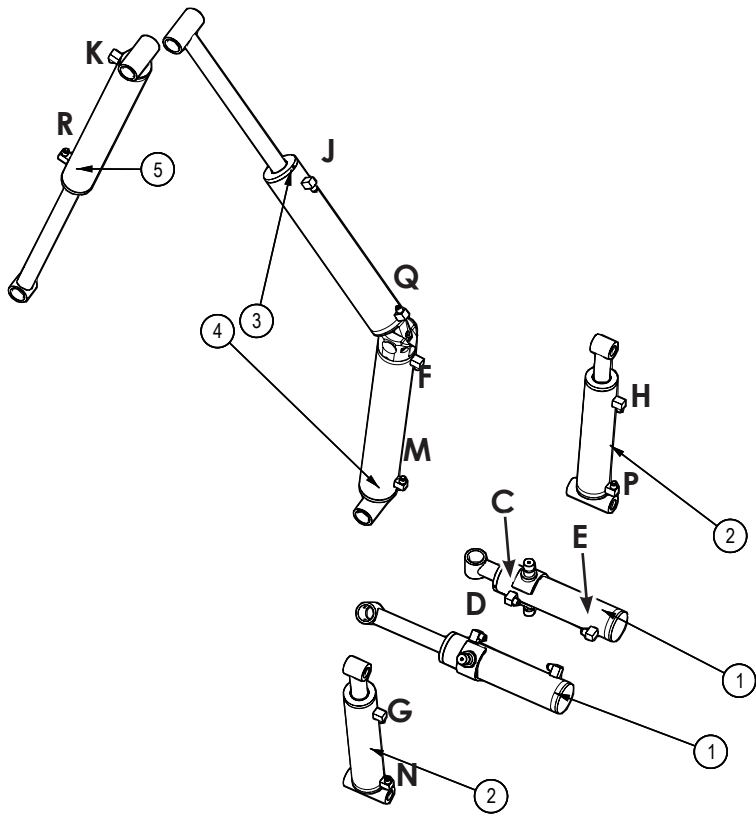
ITEM	PART NO.	Description	QTY.
*	3082W041	Bucket, 9" Large	
*	3082W051	Bucket, 12" Large	
*	3082W061	Bucket, 15" Large	
*	3082W071	Bucket, 18" Large	
*	3082W081	Bucket, 24" Large	
6	Z19901	Stud, Backhoe Weld-on	3,4,5
7	Z19902	Tooth, Backhoe Pin-on	3,4,5
8	Z14181	Roll Pin, 5/16 x 1-1/2	3,4,5



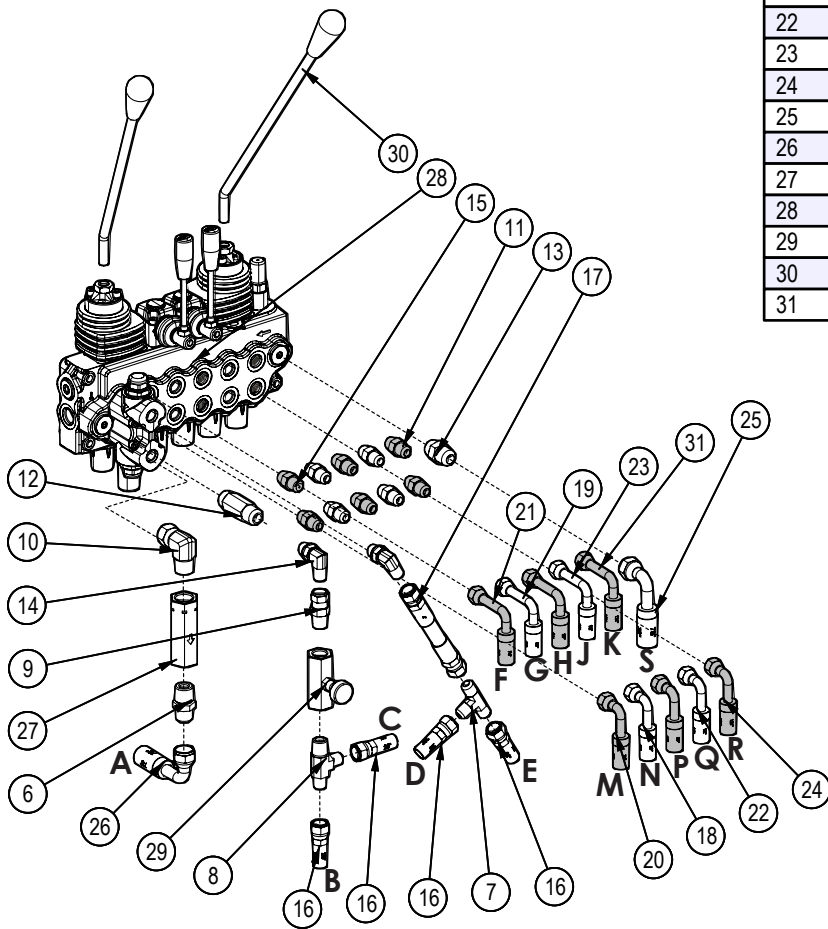
**GX720 / GX920 SEAT ASSEMBLY**

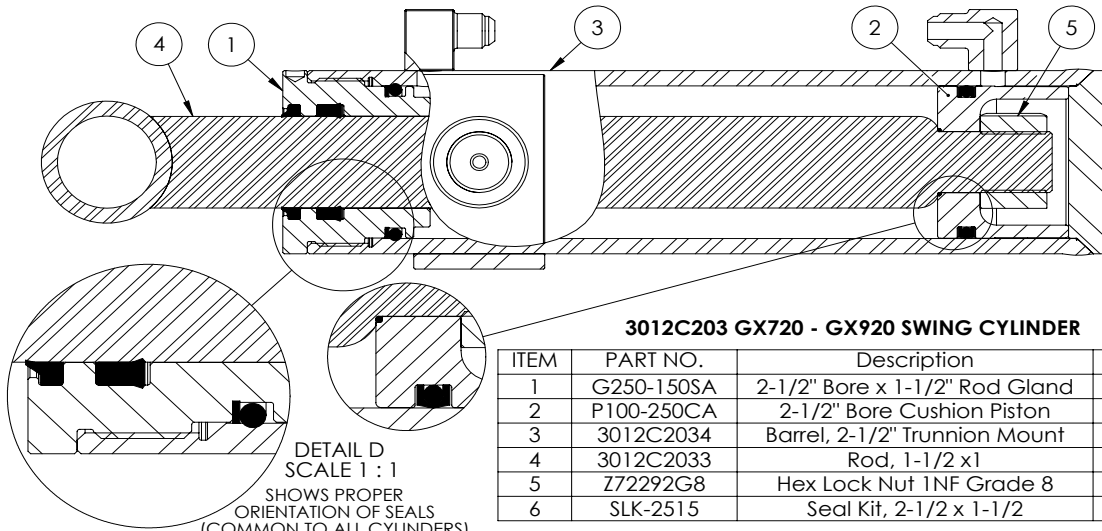
ITEM	PART NO.	Description	QTY.
1	3011W111	Base, Seat	1
2	3011W112	Mount, Seat	1
3	3011W113	Plate, Seat	1
4	Z12441	Snapper Pin 1/2 x 4-1/2	1
5	Z19201	High-Back Seat	1
6	Z71535	Hex Bolt 1/2NC x 3-1/2	1
7	Z71540	Hex Bolt 1/2NC x 4	1
8	Z72251	Hex Lock Nut 1/2NC	2
9	Z76712	Self-tapping Screw #10	3
10	Z77152	Hex Bolt, M8 x 16mm	4
11	Z77352	Washer, M8	4
12	Z96502	Manual Tube 3-1/2	1





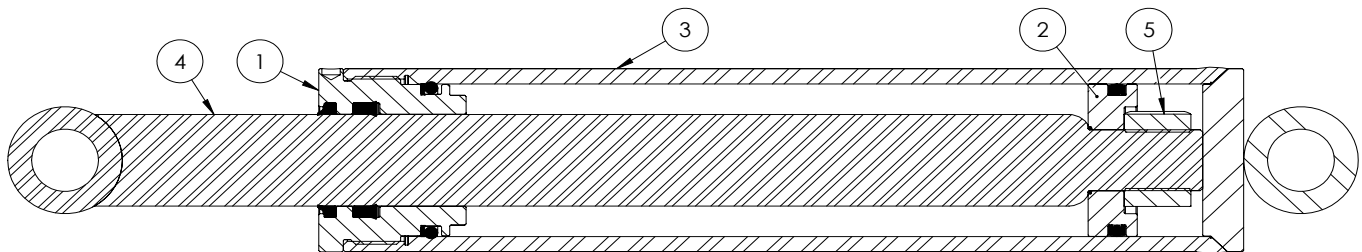
BOM ID	Description	Description	Qty
1	3012C203	Cylinder, 2-1/2 x 7-3/4 Stroke	2
2	3012C204	Cylinder, 2-1/2 x 9-1/2 Stroke	2
3	3012C205	Cylinder, 3 x 14-3/4 Stroke	1
4	3012C206	Cylinder, 2-1/2x14-3/4 Stroke	1
5	3012C207	Cylinder, 2-1/2x14-3/4 Stroke	1
6	Z51442	#8 JIC x 1/2NPT	1
7	Z51483	#6JIC x #6JIC x #6JIC Tee	1
8	Z51486	Tee MJIC x MP x MJIC 060606	1
9	Z51511	#6JIC Fem x 3/8 NPT	1
10	Z51521	1/2NPT x #8JIC Fem Swivel	1
11	Z51641	#6ORB x #6JIC	9
12	Z51642	#8ORB x #8JIC Long Custom	1
13	Z51643	#8ORB x #8JIC	1
14	Z51651	#6JIC x #6ORB 90 Elbow	2
15	Z51928	ORB x MJIC 0606 x 0.062" Orifice	1
16	Z52102	1/4 Hose, #6FJIC x #6FJIC x 28"	4
17	Z52217	3/8 Hose, #6FJIC x #6FJIC x 4	1
18	Z52218	3/8 Hose, #6FJIC x #6FJIC 90 x 39"	2
19	Z52219	3/8 Hose, #6FJIC x #6FJIC 90lg x 39"	2
20	Z52220	3/8 Hose, #6FJIC x #6FJIC 90 x 74"	1
21	Z52221	3/8 Hose, #6FJIC x #6FJIC 90lg x 74"	1
22	Z52222	3/8 Hose, #6FJIC x #6FJIC 90 x 92"	1
23	Z52223	3/8 Hose, #6FJIC x #6FJIC 90lg x 92"	1
24	Z52224	3/8 Hose, #6FJIC x #6FJIC 90 x 121"	1
25	Z52306	1/2 Hose, #8FJIC 90 x 1/2NPT x 78"	1
26	Z52306	1/2 Hose, #8FJIC 90 x 1/2NPT x 78"	1
27	Z56102	Check Valve 1/2FNPT OPSI	1
28	Z56202	Monoblock 6-Section Valve	1
29	Z56301	In-Line Needle Valve	1
30	Z56910	Backhoe lever, bent 12"	2
31	Z52225	3/8 Hose, #6FJIC x #6FJIC 90lg x 121"	1





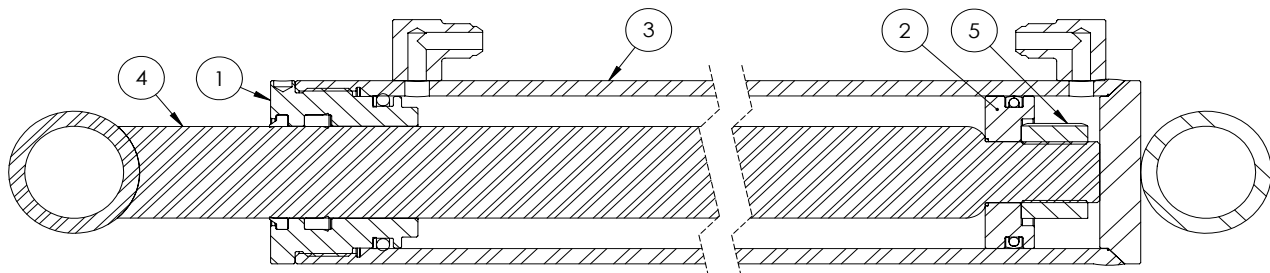
**3012C203 GX720 - GX920 SWING CYLINDER**

ITEM	PART NO.	Description	QTY.
1	G250-150SA	2-1/2" Bore x 1-1/2" Rod Gland	1
2	P100-250CA	2-1/2" Bore Cushion Piston	1
3	3012C2034	Barrel, 2-1/2" Trunnion Mount	1
4	3012C2033	Rod, 1-1/2 x1	1
5	Z72292G8	Hex Lock Nut 1NF Grade 8	1
6	SLK-2515	Seal Kit, 2-1/2 x 1-1/2	1



**3012C204 GX720 - GX920 STABILIZER CYLINDER**

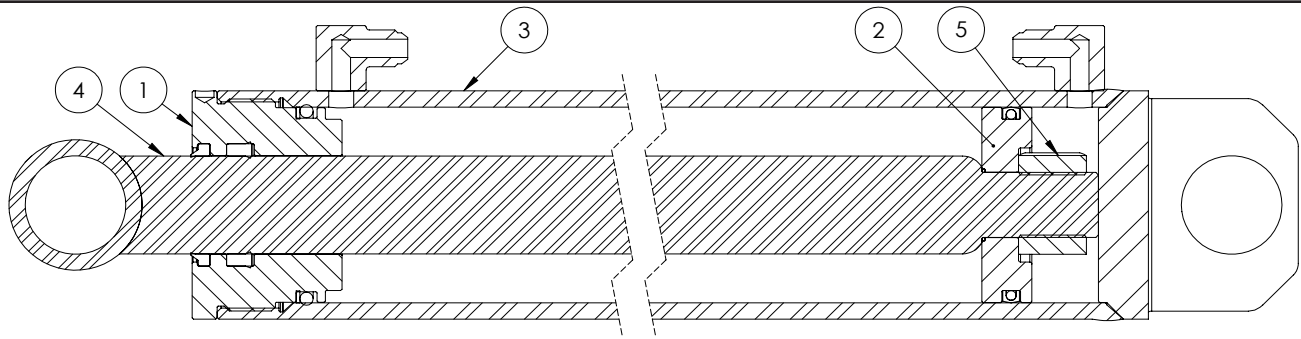
ITEM	PART NO.	Description	QTY.
1	G250-150SA	2-1/2" Bore x 1-1/2" Rod Gland	1
2	P100-250SA	2-1/2" Bore Piston	1
3	3012C2044	Barrel, 2-1/2" Bore	1
4	3012C2043	Rod, 1-1/2 x1	1
5	Z72292G8	Hex Lock Nut 1NF Grade 8	1
6	SLK-2515	Seal Kit, 2-1/2 x 1-1/2	1



**3012C207 GX720 - GX920 BUCKET CYLINDER**

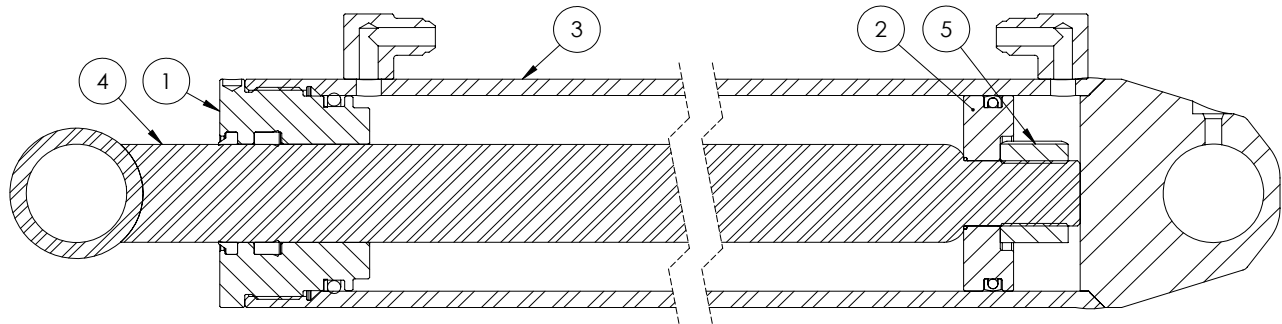
ITEM	PART NO.	Description	QTY.
1	G250-150SA	2-1/2" Bore x 1-1/2" Rod Gland	1
2	P100-250SA	2-1/2" Bore Piston	1
3	3012C2074	Barrel, 2-1/2" Bore	1
4	3012C2073	Rod, 1-1/2 x1	1
5	Z72292G8	Hex Lock Nut 1NF Grade 8	1
6	SLK-2515	Seal Kit, 2-1/2 x 1-1/2	1





**GX720 - 3012C206  
GX920 - 3013C306 MAIN BOOM CYLINDERS**

ITEM	GX720	GX920	Description	QTY.
1	G300-150SA		3" Bore x 1-1/2" Rod Gland	1
2	P100-300SA		3" Bore Piston	1
3	3012C2064	3013C3064	Barrel, 3" Clevis Butt	1
4	3012C2063	3013C3063	Rod, 1-1/2 x1	1
5	Z72292G8		Hex Lock Nut 1NF Grade 8	1
6	SLK-3015		Seal Kit, 3 x 1-1/2	1

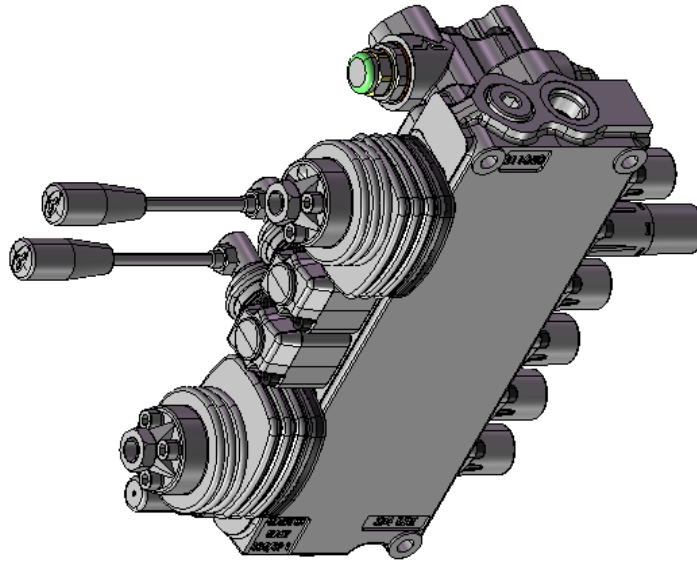


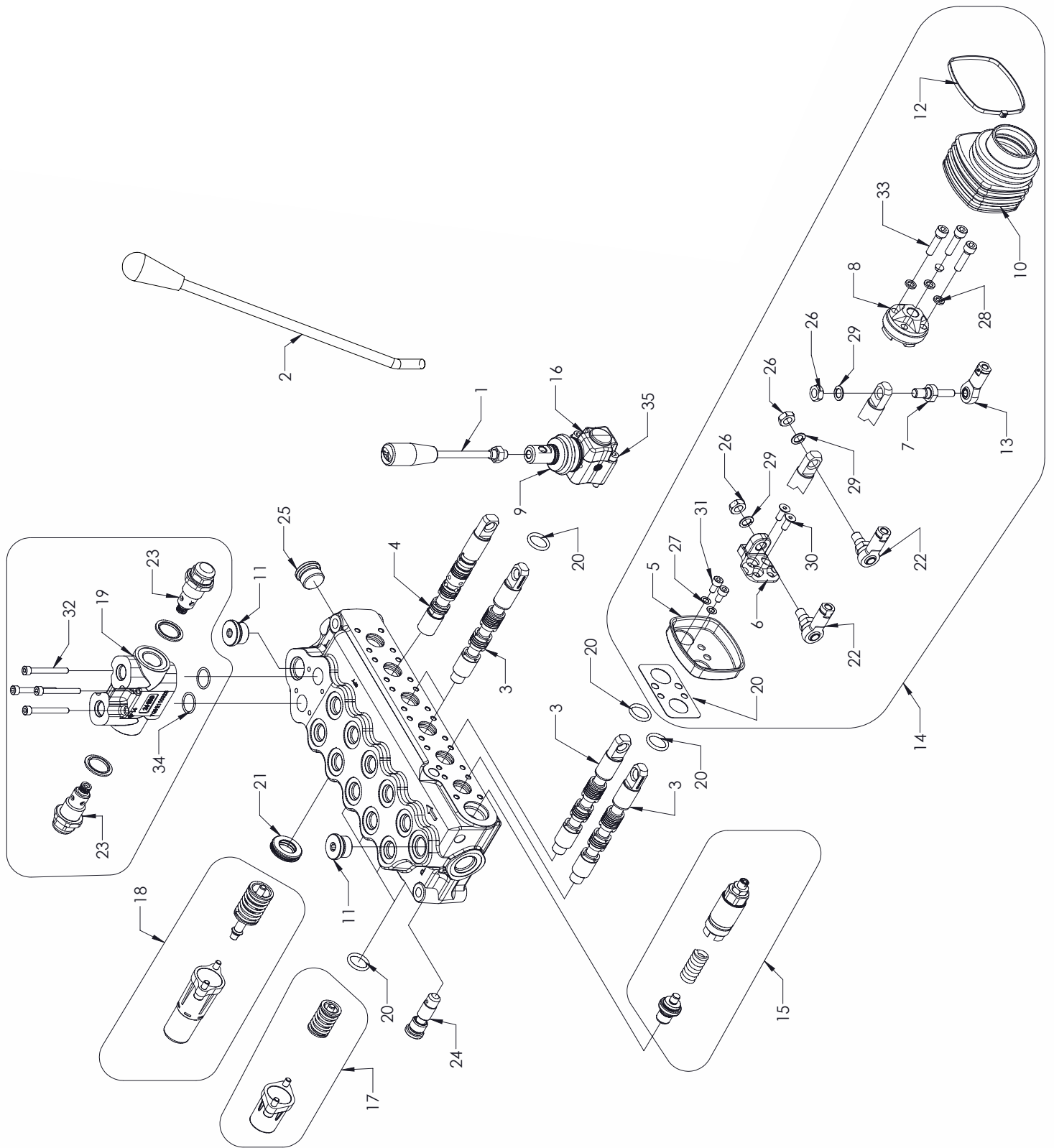
**GX720 - 3012C205  
GX920 - 3013C305 DIPPER BOOM CYLINDERS**

ITEM	GX720	GX920	Description	QTY.
1	G300-150SA		3" Bore x 1-1/2" Rod Gland	1
2	P100-300SA		3" Bore Piston	1
3	3012C2054	3013C3054	Barrel, 3" Bore	1
4	3012C2053	3013C3053	Rod, 1-1/2 x1	1
5	Z72292G8		Hex Lock Nut 1NF Grade 8	1
6	SLK-3015		Seal Kit, 3 x 1-1/2	1

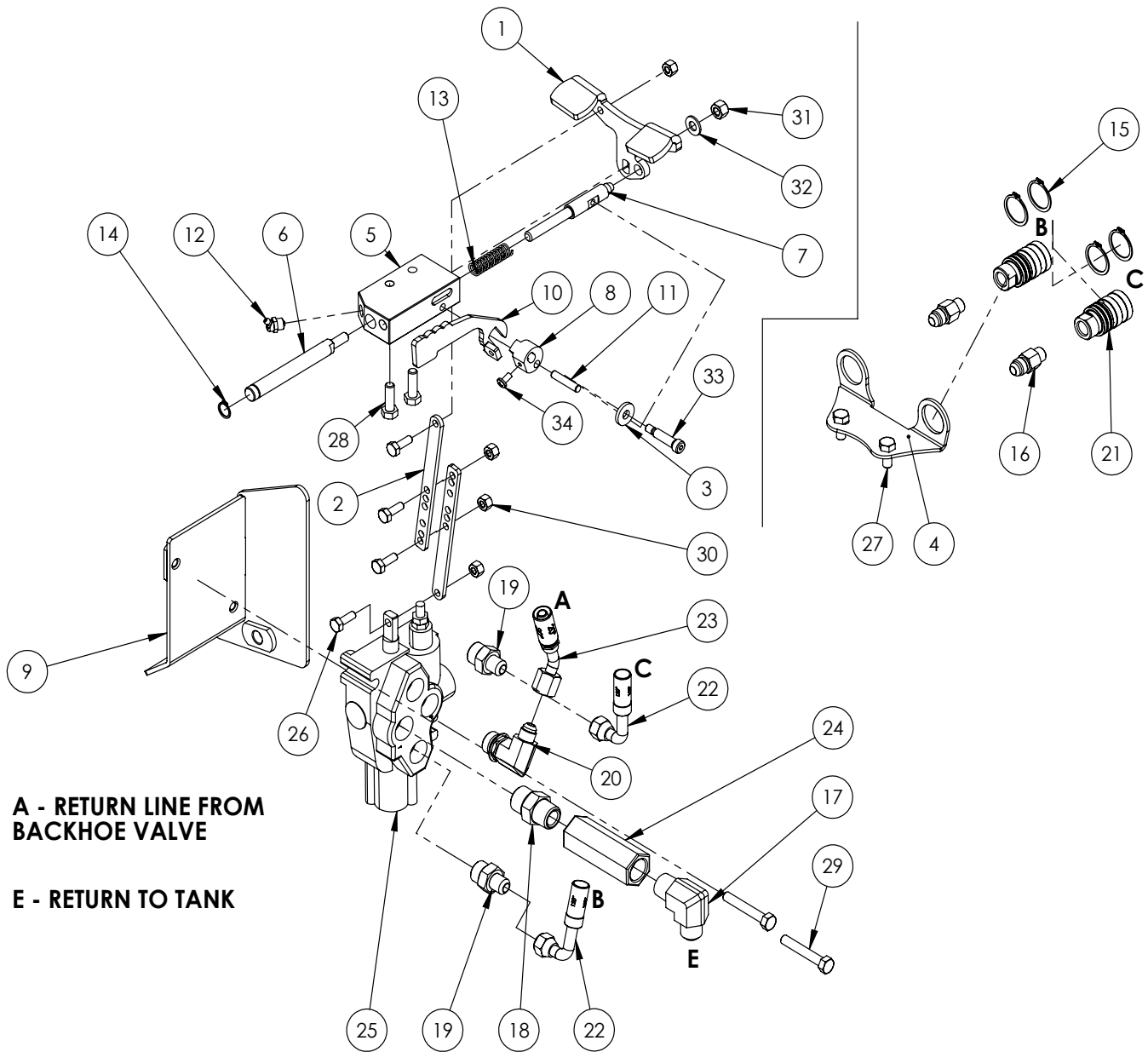
**Z56202 VALVE PARTS BREAKDOWN**

ITEM	PART NO.	DESCRIPTION	QTY.
1	170011012	AL01/M8X120 HANDLEVER (SHORT)	2
2	Z56910	AL08/M12X350 BENT LEVER (LONG)	2
3	3CU1210133	TIGHT FIT SPOOL	4
4	3CU1245620	FLOAT SPOOL	1
5	3FLA125130	LCB5 FLANGE	2
6	3FUL220101	LCB5 FULLCRUM	2
7	3PER515415	LCB5 SPOOL PIN	2
8	3POR340241	LCB5 ADAPTER HANDLE	2
9	3SOF136240	L5 RUBBER BOOT ONLY	2
10	3SOF200701	LCB5 RUBBER BOOT	2
11	3XTAP822150	PLUG SAE8	2
12	4ACC210	TIE STRAP	2
13	4ART706020	LCB6 TUTHILL	2
14	5CLO206100	LCB6 COMPLETE JOYSTICK KIT	2
15	5KIT105413	RELIEF VALVE	1
16	5LEV105000	L5 LEVER BOX	2
17	5V08105000	SPRING CENTER KIT	4
18	5VT3405020	FLOAT KIT	1
19	602001101	PORT RELIEF BLOCK	1
20	SK SD5/76	VALVE SEAL KIT (12 O-RINGS, 2 GASKETS)	1
21	XANEZ28061	RING	1
22	XART706020	LCB6 TUTHILL WITH BOLT	4
23	XCAR211113	PORT RELIEF CARTRIDGE	2
24	XKIT005000	LOAD CHECK	1
25	XTAP623170	OPEN CENTER PLUG	1
	AEK SD5	CLOSED CENTER PLUG	OPTION
26	Z77252	JAM NUT M8x1.25	10
27	Z77321	LOCK WASHER M5	8
28	Z77331	LOCK WASHER M6	6
29	Z77354	LOCK WASHER M8	6
30	Z77521	FHCS M5x0.8x1.4mm	8
31	Z77522	SHCS M5x0.8x1.0mm	8
32	Z77523	SHCS M5x0.8x4.5mm	4
33	Z77531	SHCS M6x1.0x2.5mm	6
34	OR 17.18X1.78	PORT RELIEF O-RING	2
35	Z77524	SHCS M5x0.8x3.5mm	8



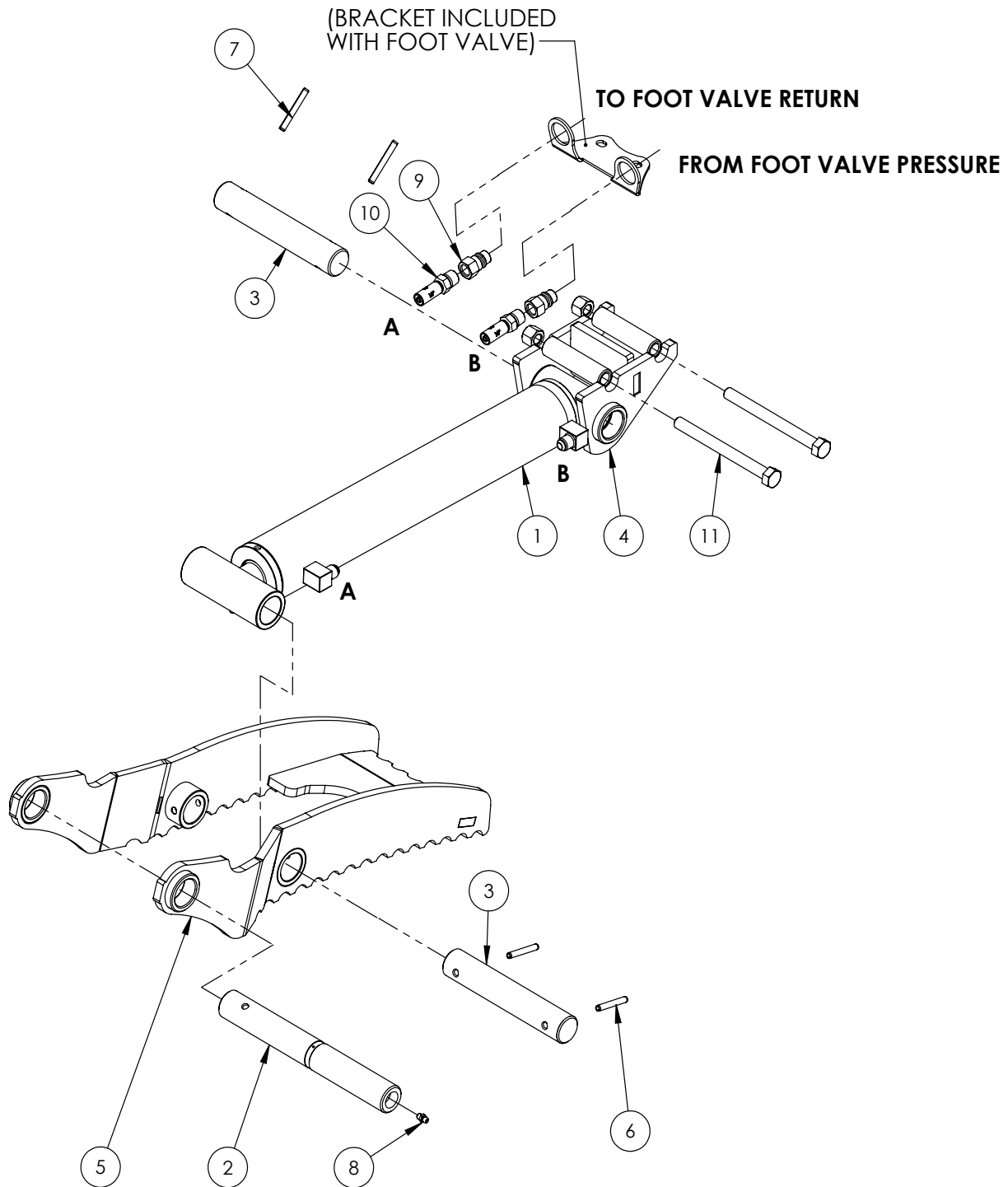


Hydraulic Thumb & Auxillary Valve (Optional)



**GX720/920 AUXILLIARY VALVE PARTS BREAKDOWN**

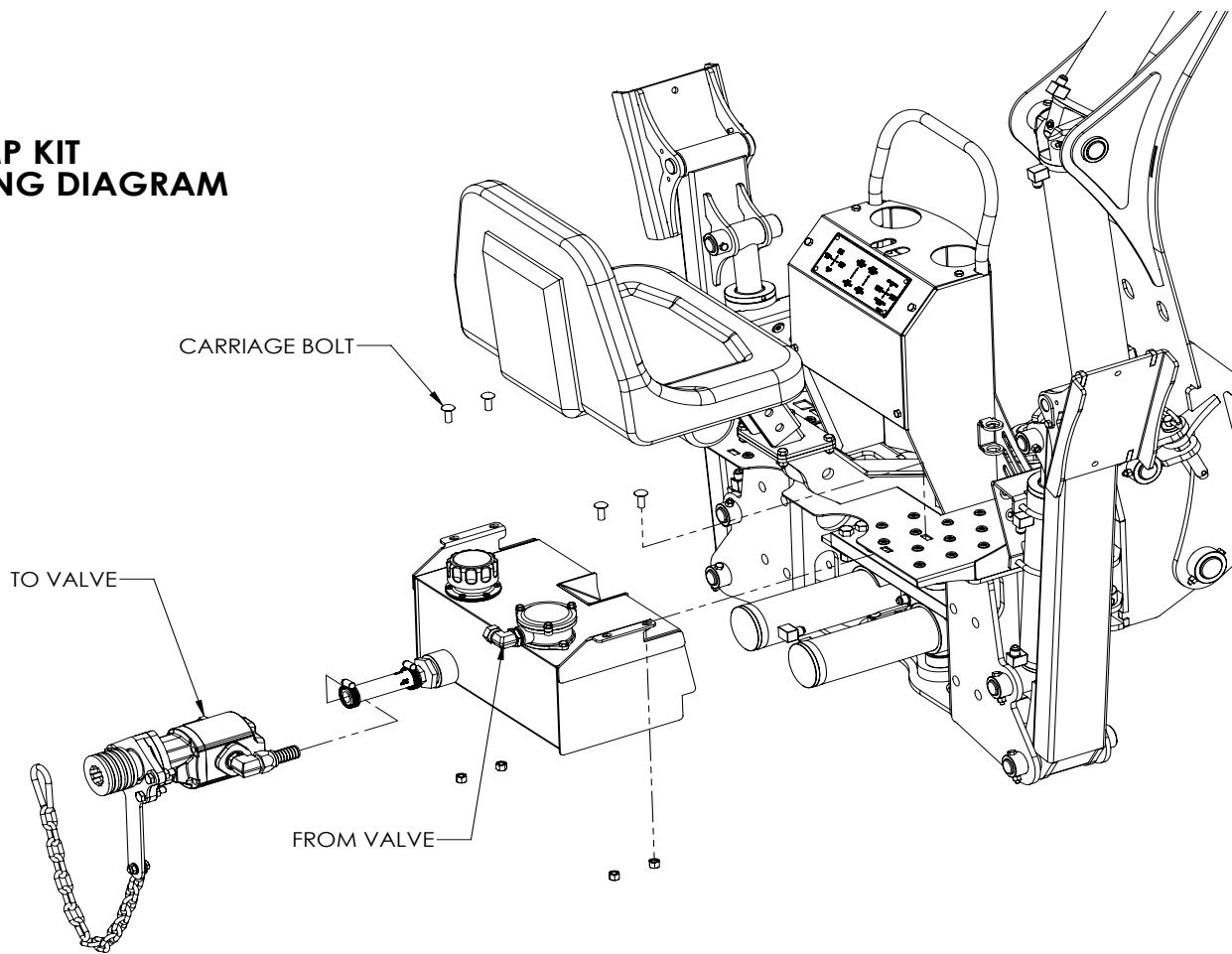
ITEM	PART NO.	Description	QTY.	ITEM	PART NO.	Description	QTY.
1	3083L083	Pedal, Foot Rocker	1	18	Z51611	#10 ORB x 1/2NPT	1
2	3083L084	Link, Adjustable Valve	2	19	Z51644	#8ORB x #6JIC	2
3	3083L088	Washer, Capture	1	20	Z51655	#6JIC x #8ORB 90	1
4	3083L094	Bracket, Quick-connect Hose	1	21	Z51918	1/4FNPT x Safeway (Female)	2
5	3083M081	Block, Pedal Rocker	1	22	Z52113	1/4 Hose, #6FJIC x #6FJIC 90 x 120"	2
6	3083M082	Shaft, Rocker	1	23	Z52230	3/8 Hose, #8FJIC x #6FJIC 45 x 20	1
7	3083M083	Shaft, Lock	1	24	Z56102	Check Valve 1/2FNPT 0PSI	1
8	3083M084	Cam, Side Rotating	1	25	Z56205	Single Function Valve	1
9	3083W081	Bracket, Valve	1	26	Z71107	Hex Bolt 1/4NC x 3/4	4
10	3083W082	Weldment, Safety Bar	1	27	Z71207	Hex Bolt 5/16NC x 3/4	2
11	Z13172	Dowel Pin, 1/4 x 1-1/4	1	28	Z71210	Hex Bolt 5/16NC x 1	2
12	Z29204	Grease Fitting, 1/8NPT x 45	1	29	Z71220	Hex Bolt 5/16NC x 2	2
13	Z32304	Spring, 1/2 x 1-3/4 Medium	1	30	Z72111	Hex Lock Nut 1/4NC	4
14	Z46201	Retaining Ring, 1/2	1	31	Z72221	Hex Lock Nut, 5/16NC	1
15	Z46204	External Retaining Ring, 1"	4	32	Z73120	Washer, 5/16	1
16	Z51444	#6JIC x 1/4NPT	2	33	Z75521	Shoulder Bolt 5/16 x 1	1
17	Z51451	#8JIC x 1/2NPT 90 Elbow	1	34	Z78302	Machine Screw #10NF x 3/8	1

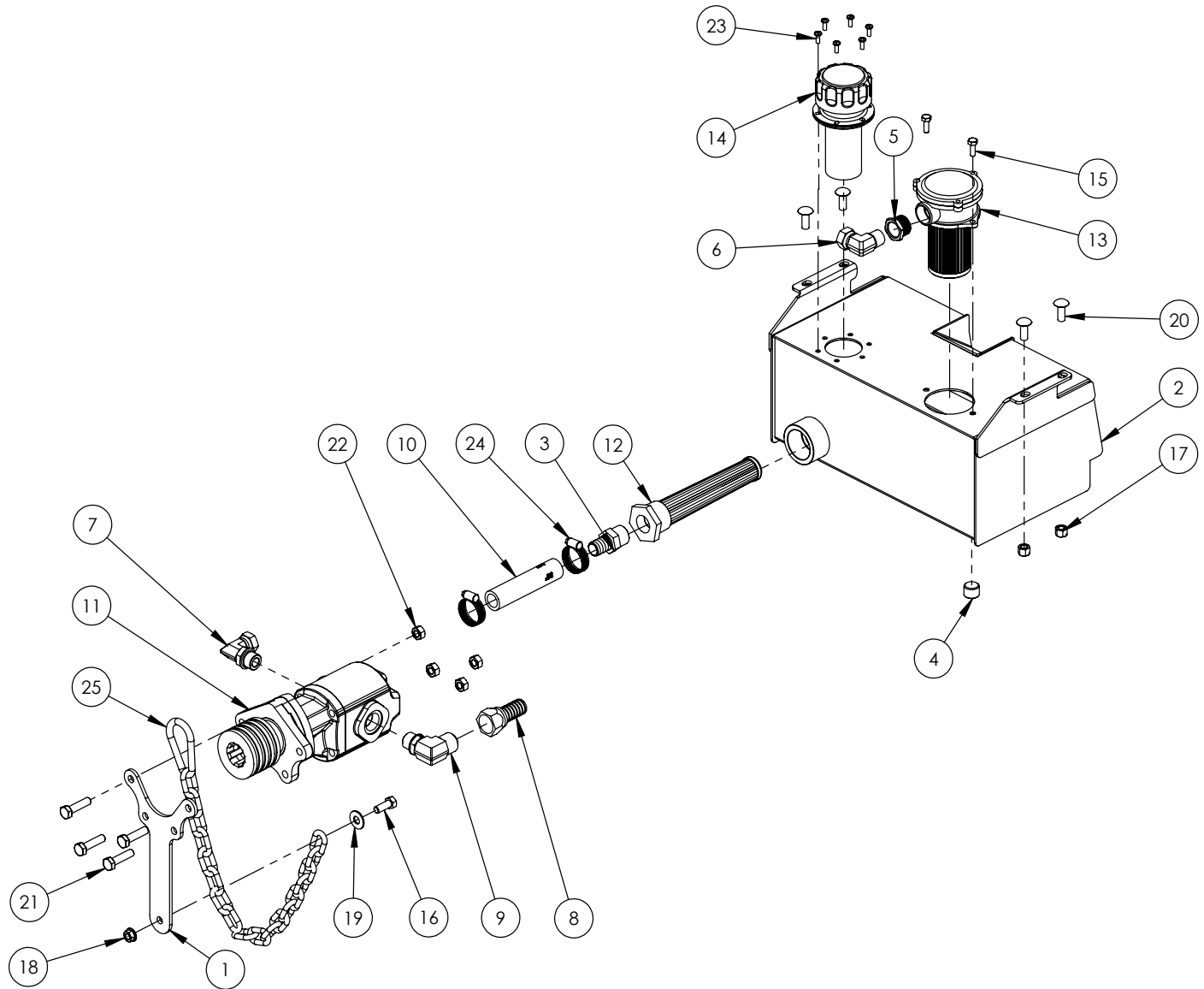


**BT5300 HYDRAULIC THUMB PARTS BREAKDOWN**

ITEM	PART NO.	Description	QTY.
1	3083C092	Cylinder, 2-1/4x1-1/4x	1
2	3083M074	Pin, Extended Bucket - Thumb	1
3	3083M093	Pin, Cylinder Mount	2
4	3083W090	Weldment, Lug	1
5	3083W091	Weldment, Thumb	1
6	Z14172	Roll Pin, 1/4 x 1-3/4	2
7	Z14173	Roll Pin, 1/4 x 2	2
8	Z29202	Grease Zerk 1/4NF	3
9	Z51917	1/4FNPT x Safeway S41-2	2
10	Z52112	1/4 Hose, 3/8NPT x #6FJIC x 18	2
11	Z71555	Hex Bolt 1/2NC x 5-1/2	2

### PTO PUMP KIT MOUNTING DIAGRAM



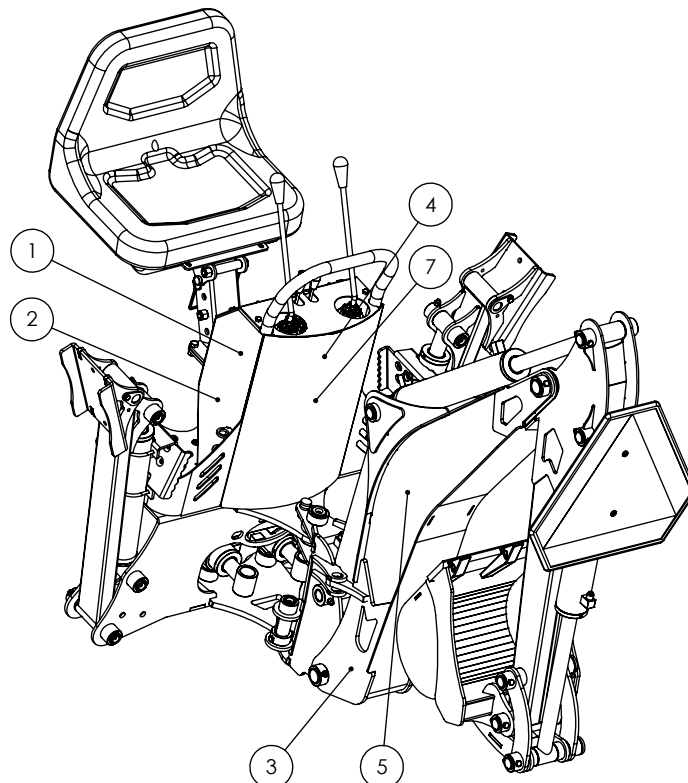
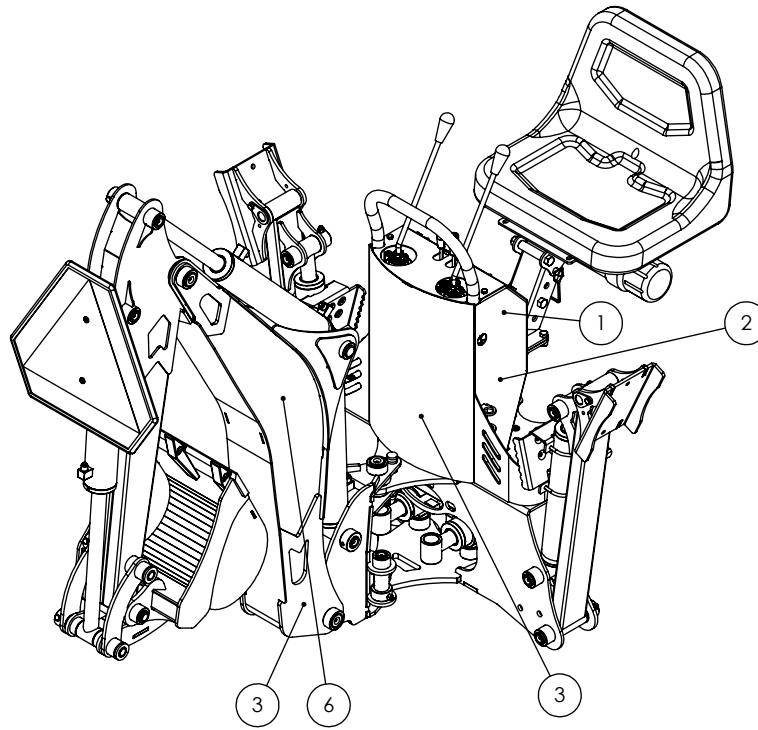


**PTO72 PUMP KIT PARTS BREAKDOWN**

ITEM	PART NO.	DESCRIPTION	QTY
1	3081L107	Lever, Stop	1
2	3081W151	Tank, 3-1/4 Gallon	1
3	Z51181	3/4NPT x 3/4 Hose Barb	1
4	Z51192	Socket Plug 1/2NPT	1
5	Z51221	Reducer FP x MP 1208	1
6	Z51331	Elbow 90 MP x FPX 0808	1
7	Z51384	#10ORB x 1/2FNPT 90 Elbow	1
8	Z51591	#12JIC x 3/4 Hose Barb	1
9	Z51654	#12JIC x #10ORB 90 Elbow	1
10	Z52403	3/4 Plain Hose x 36"	1
11	Z53102	Pump, 2.38 CIR	1
12	Z55101	Tank Strainer, Suction	1
13	Z55201	Tank Mounted Return Filter	1
14	Z55401	Breather Filler Cap	1
15	Z71107	Hex Bolt 1/4NC x 3/4	2
16	Z71310	Hex Bolt 3/8NC x 1	1
17	Z72231	Hex Lock Nut 3/8NC	4
18	Z72531	Flange Nut 3/8NC	1
19	Z73230	Wide Flat Washer 3/8	1
20	Z76231	Carriage Bolt 3/8NC x 1	4
21	Z77161	Hex Bolt, M10 x 40mm	4
22	Z77260	Hex Nut, M10	4
23	Z78303	Machine Screw #10NF x 1/2	6
24	Z79401	Hose Clamp, #16	2
25	Z92303	Safety Chain 1/4 x 2'	1

## TWO PANEL GX720 DECAL BREAKDOWN

ITEM	PART NO.	DESCRIPTION	QTY
1	Z94119	CAUTION - Read Manual	2
2	Z94112	Moving Boom Hazard	2
3	Z94113	WARNING - Install Lock Pin	3
4	Z94617	Made in Canada	3
5	Z94023	GX720 RH Curved Decal	1
6	Z94024	GX720 LH Curved Decal	1
7	Z94054	Wallenstein Ranchho	1





# Two Panel GX720 Decals

Z94054

Z94617



Z94023



Z94024



Z94119



Z94113



Z94112



