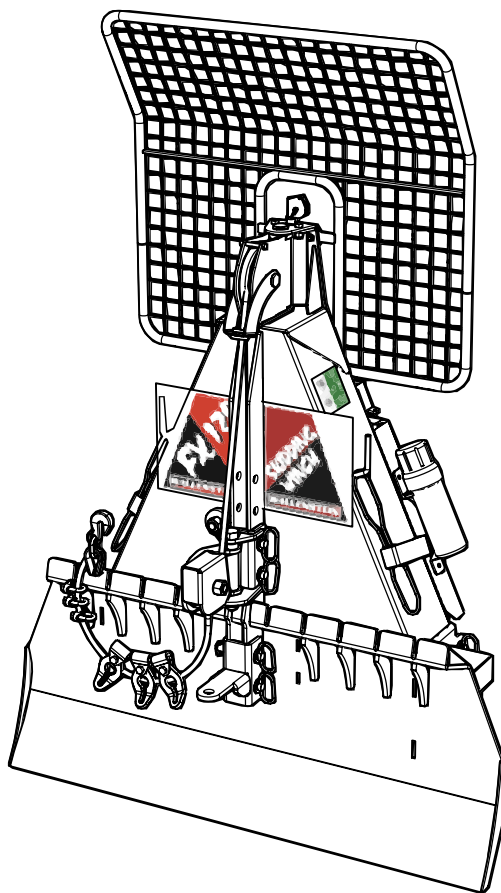




EMB Manufacturing Inc.  
4144 Boomer Line · St. Clements, On · N0B 2M0 · Canada  
Ph: (519) 699-9283 · Fax: (519) 699-4146  
[www.embmfg.com](http://www.embmfg.com)

# FX120 Skidding Winch Parts Manual

S/N 5120409 & After



Refer to the operators  
manual for safe opera-  
tion and maintainance

# Table of Contents

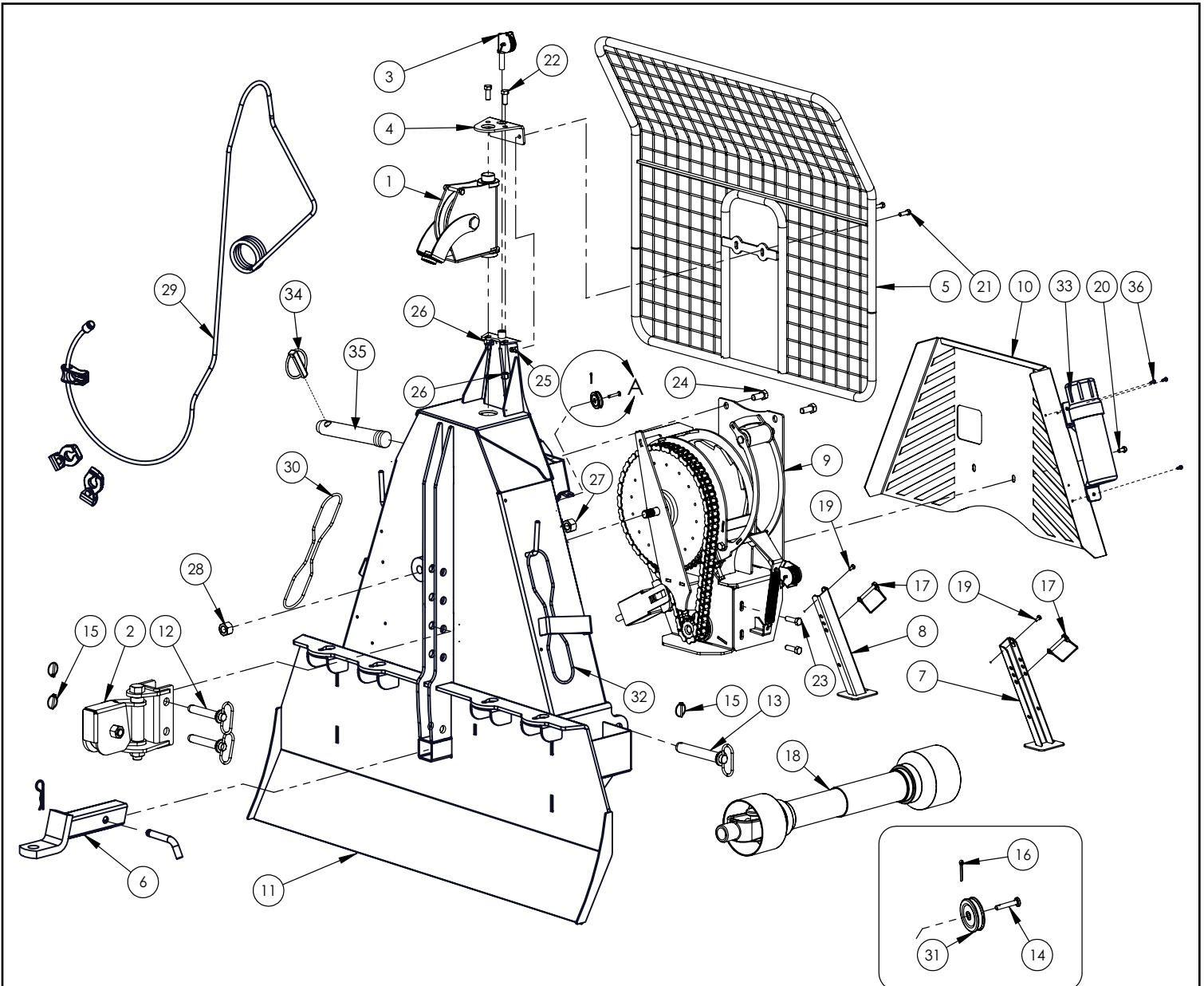
Main Parts	3
Top Cable Pulley	4
Lower Snatch Block	5
Drum Frame	6
Cable Drum	7
Cylinder / Clutch Plate Assembly - FX120R	8
Remote Control Components - FX120R	8
Cylinder Seal Installation - FX120R	9
Hydraulic Cylinder Detail - FX120R	9
PTO Shaft	10
FX120 Decals	12
Remote Control Hydraulic Schematic - FX120R	14

## Foreword

EMB Mfg. has prepared this parts manual to assist customers in ordering quality OEM replacement parts.

Proper and regular service and replacing old, worn or broken parts with

For parts and information please contact your dealer. If your dealer is no longer available please go to our website: <http://www.embmfg.com> and click on "FIND A DEALER NEAR YOU" for information on a local dealer.

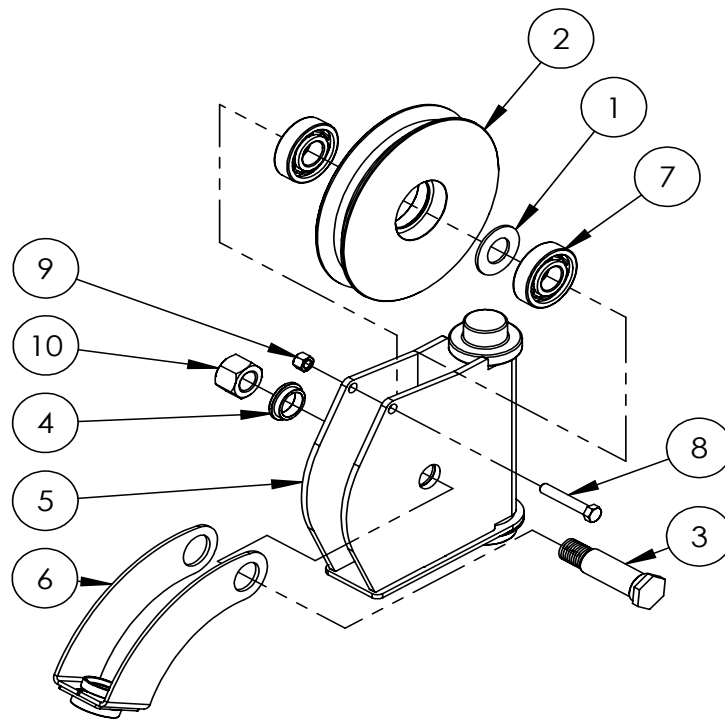


DETAIL A  
SCALE 1 : 8

**FX120 MAIN ASSEMBLY PARTS BREAKDOWN**

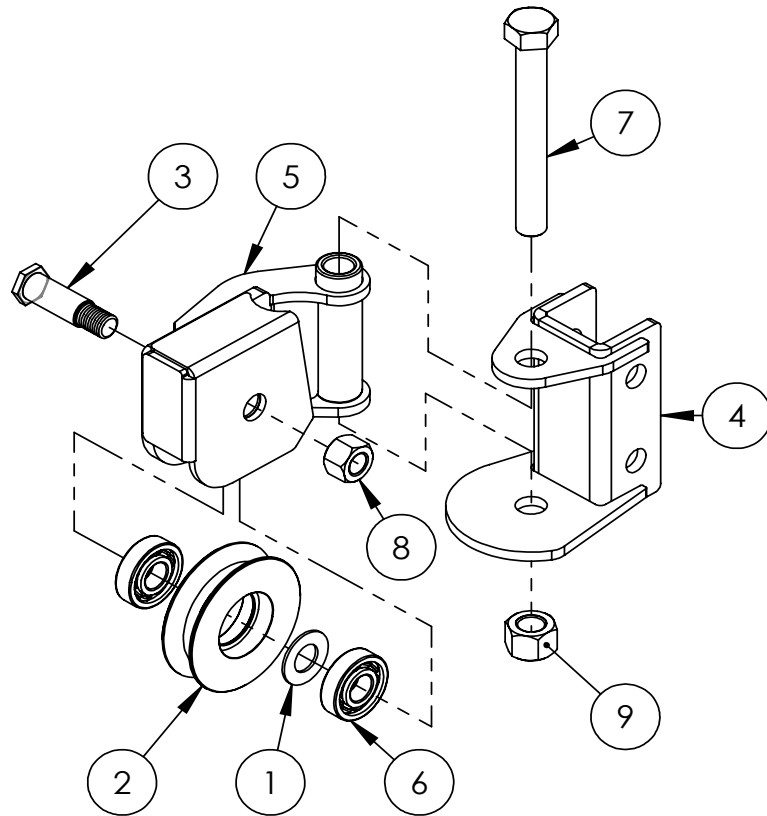
ITEM	PART NO.	DESCRIPTION	QTY
1	5012A205	Top Cable Pulley Assembly	1
2	5012A206	Lower Snatch Block	1
3	5012A207	Clutch Rope Pulley	1
4	5012L285	Top Pulley Capture Bracket	1
5	5012W226	Safety Screen	1
6	Z91641	Ball Mount for 2" Receiver	1
7	5012W217	Support Leg, RH	1
8	5012W218	Support Leg, LH	1
9	5013A301	Cable Drum Assembly	1
10	5013L327	Lower Protective Shield	1
11	5013W325	Main Frame	1
12	Z11251	Hitch Pin 7/8 x 4-1/4	2
13	Z11271	Hitch Pin 1 x 6-1/4	2
14	Z11311	Clevis Pin 1/4 x 1-1/8	1
15	Z12110	Latch Pin 3/16	4
16	Z12311	Cotter Pin 1/8 X 1	1
17	Z12432	Snapper Pin 3/8 x 2-1/2	2
18	Z44402	#4 Global PTO Shaft M8 Shear	1
19	Z71105	Hex Bolt 1/4NC x 1/2	2
20	Z71307	Hex Bolt 3/8NC x 3/4	2

ITEM	PART NO.	DESCRIPTION	QTY
21	Z71312	Hex Bolt 3/8NC x 1-1/4	2
22	Z71512	Hex Bolt 1/2NC x 1-1/4	2
23	Z71517	Hex Bolt, 1/2NC x 1-3/4	2
24	Z71615	Hex Bolt 5/8NC x 1-1/2	2
25	Z72231	Hex Lock Nut 3/8NC	2
26	Z72251	Hex Lock Nut 1/2NC	4
27	Z72261	Hex Lock Nut 5/8NC	2
28	Z72281	Hex Lock Nut 7/8NC	1
29	Z92121	Winch Cable 1/2" x 165 ft. Forged End & Sliders	1
30	Z92202	Drum Brake Rope	1
31	Z92203	1/4 Groove Pulley 2 Diam.	1
32	Z92205	Drum Brake Rope 18'	1
33	Z96503	Manual Tube 3-1/2 Short	1
34	Z11142	Toplink Pin, 1 x 4-5/16	1
35	Z12140	Latch Pin 7/16	1
36	Z76712	Self-tapping Screw, #10 x 3/4	3



### TOP CABLE PULLEY ASSEMBLY

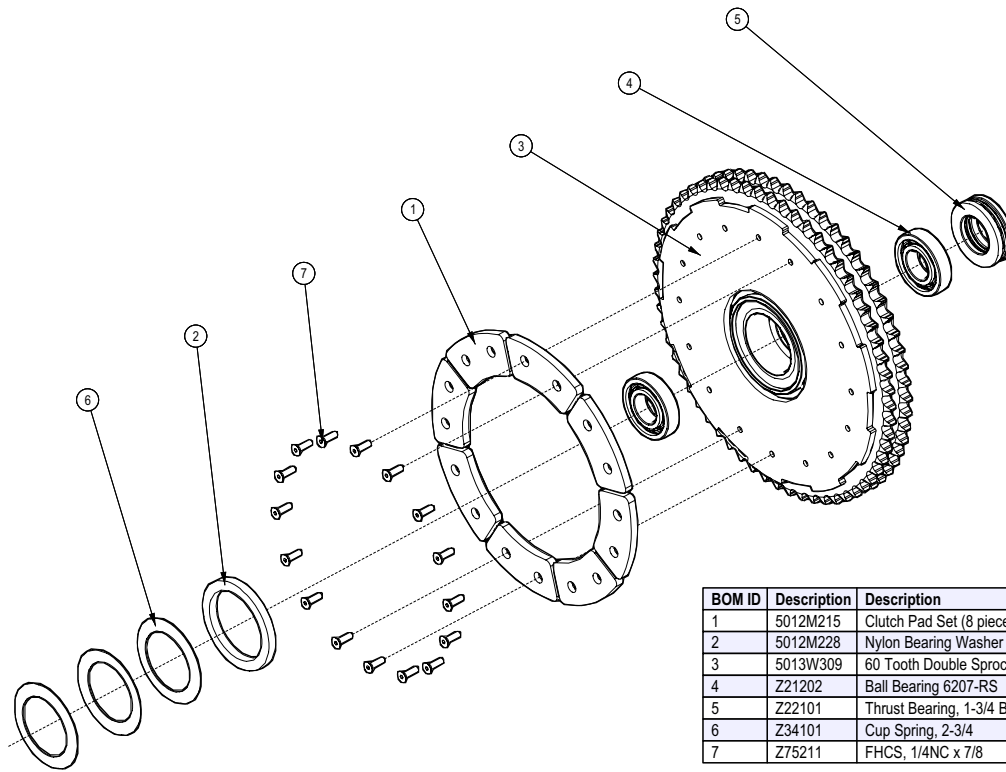
ITEM	PART NO.	DESCRIPTION	QTY
1	5012L264	Washer, Bearing Spacer	1
2	5012M220	Top Cable Pulley	1
3	5012M221	Top Pulley Pin	1
4	5012M222	Cable Guide Swing Bushing	1
5	5012W210	Top Pulley Housing	1
6	5012W211	Cable Guide	1
7	Z21201	Ball Bearing 6305 RS	2
8	Z71322	Hex Bolt, 3/8NC x 2-1/4	1
9	Z72231	Hex Lock Nut 3/8NC	1
10	Z72281	Hex Lock Nut 7/8NC	1



## LOWER SNATCH BLOCK ASSEMBLY

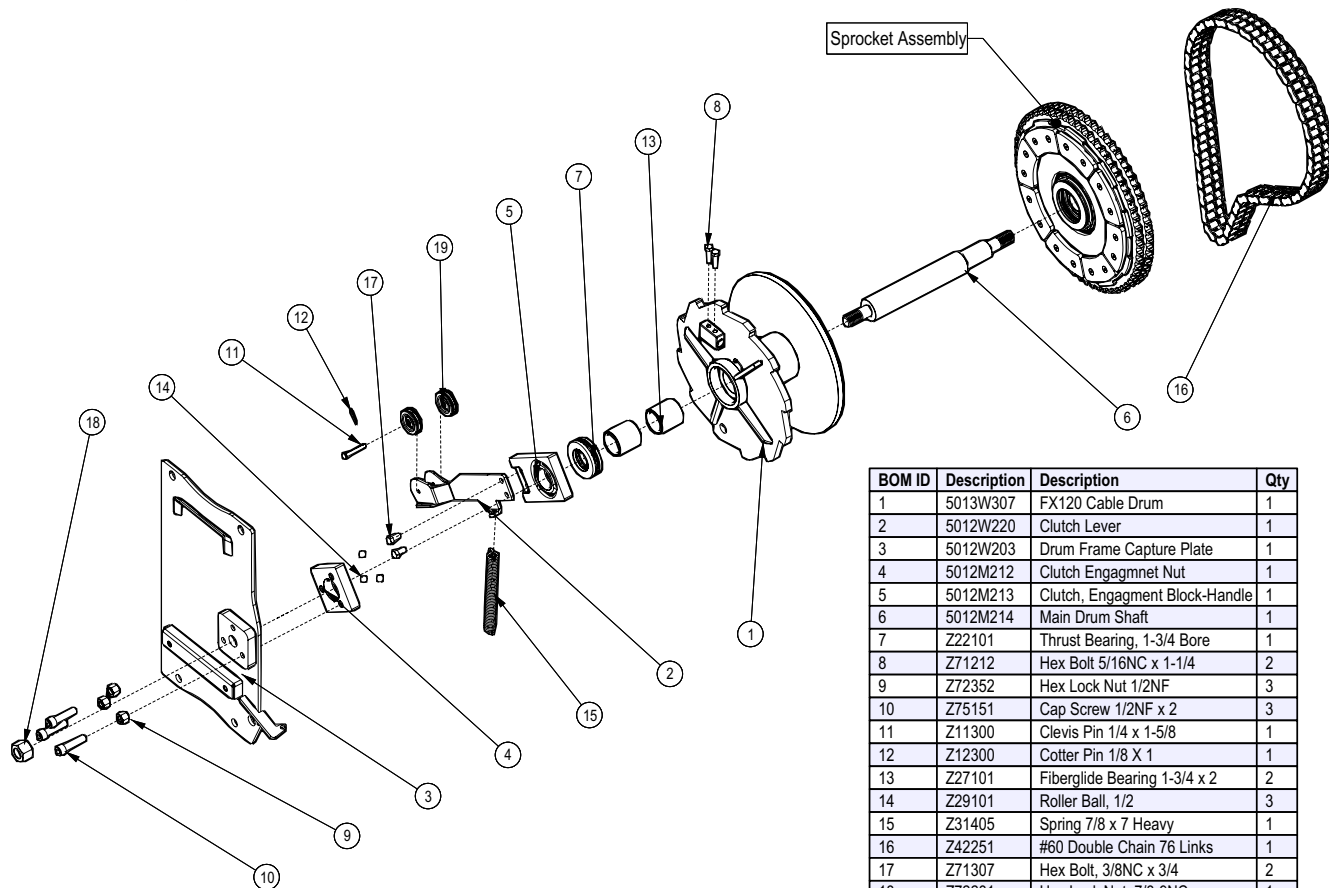
ITEM	PART NO.	DESCRIPTION	QTY
1	5012L264	Washer, Bearing Spacer	1
2	5012M223	Snatch Block Pulley	1
3	5012M224	Snatch Block Pulley Pin	1
4	5012W212	Snatchblock Base	1
5	5012W213	Snatchblock Swivel Housing	1
6	Z21201	Ball Bearing 6305 RS	2
7	Z71915	Hex Bolt 1NC x 8	1
8	Z72281	Hex Lock Nut 7/8NC	1
9	Z72291	Hex Lock Nut 1NC	1

Sprocket Assembly



BOM ID	Description	Description	Qty
1	5012M215	Clutch Pad Set (8 pieces)	1
2	5012M228	Nylon Bearing Washer	1
3	5013W309	60 Tooth Double Sprocket	1
4	Z21202	Ball Bearing 6207-RS	2
5	Z22101	Thrust Bearing, 1-3/4 Bore	1
6	Z34101	Cup Spring, 2-3/4	3
7	Z75211	FHCS, 1/4NC x 7/8	16

Drum Assembly



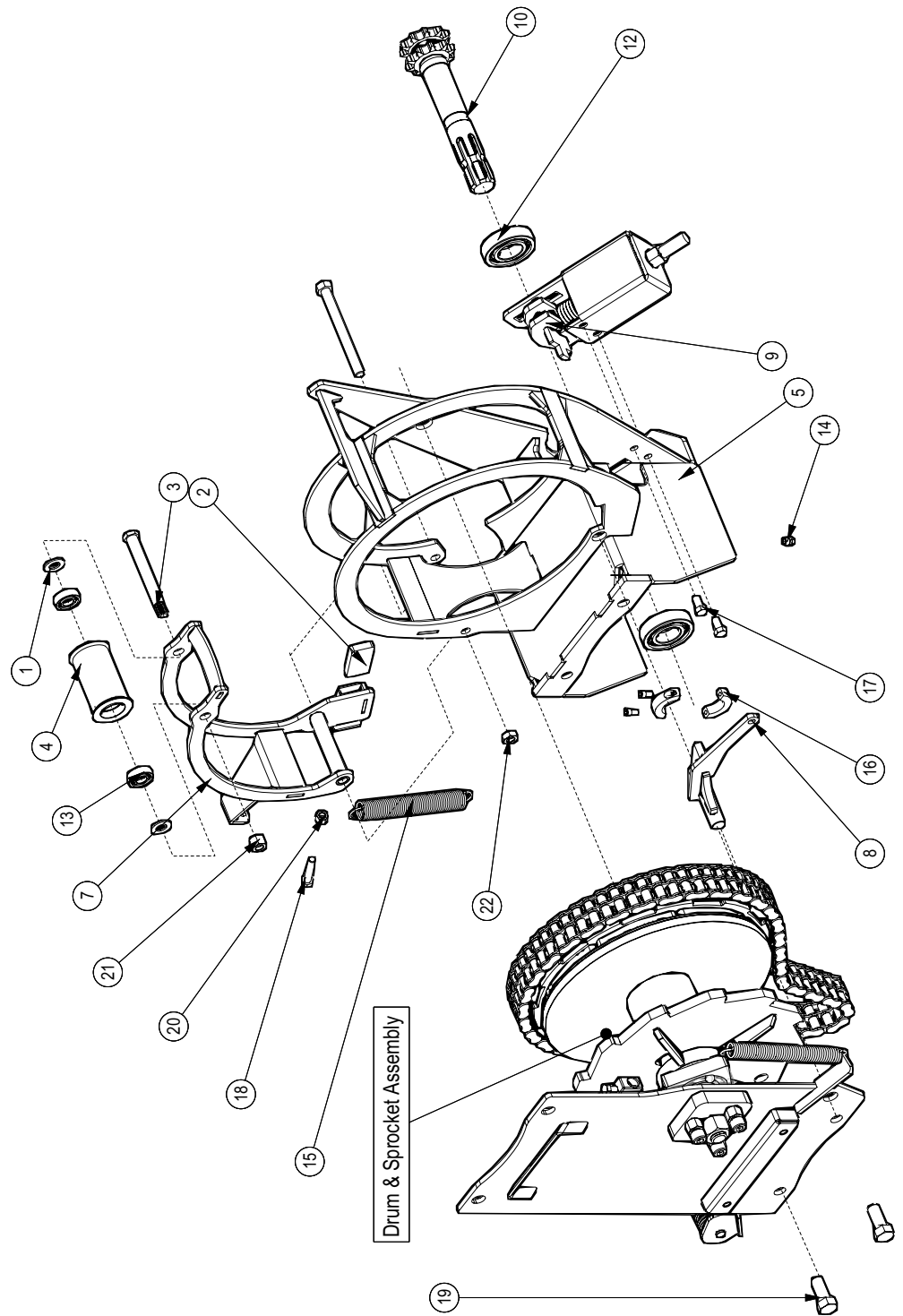
BOM ID	Description	Description	Qty
1	5013W307	FX120 Cable Drum	1
2	5012W220	Clutch Lever	1
3	5012W203	Drum Frame Capture Plate	1
4	5012M212	Clutch Engagmnet Nut	1
5	5012M213	Clutch, Engagment Block-Handle	1
6	5012M214	Main Drum Shaft	1
7	Z22101	Thrust Bearing, 1-3/4 Bore	1
8	Z71212	Hex Bolt 5/16NC x 1-1/4	2
9	Z72352	Hex Lock Nut 1/2NF	3
10	Z75151	Cap Screw 1/2NF x 2	3
11	Z11300	Clevis Pin 1/4 x 1-5/8	1
12	Z12300	Cotter Pin 1/8 X 1	1
13	Z27101	Fiberglide Bearing 1-3/4 x 2	2
14	Z29101	Roller Ball, 1/2	3
15	Z31405	Spring 7/8 x 7 Heavy	1
16	Z42251	#60 Double Chain 76 Links	1
17	Z71307	Hex Bolt, 3/8NC x 3/4	2
18	Z72281	Hex Lock Nut, 7/8-9NC	1
19	Z92203	1/4 Groove Pulley 2 Diam.	2

Cable Drum Frame Assembly

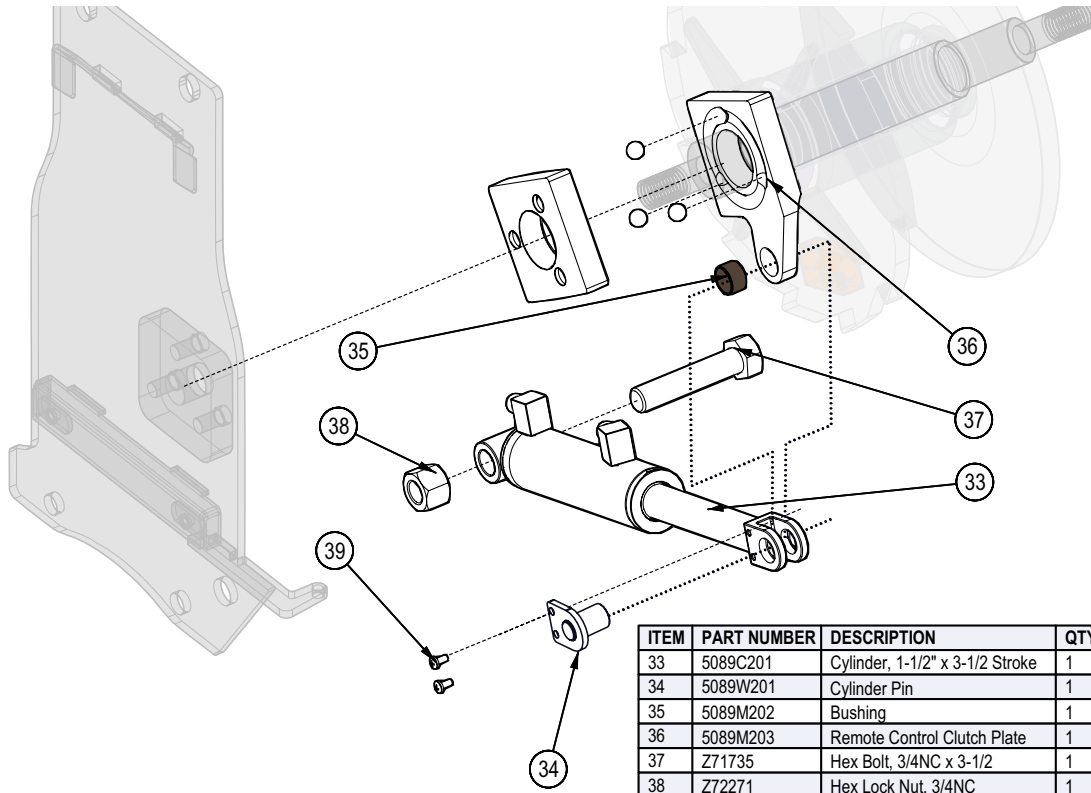
BOM ID	Description	Qty
1	5012L252 Washer, Spacer	2
2	5012M204 Block, Drum Brake	1
3	5012M205 Cable Roller Pin	1
4	5012M206 Brake Arm Cable Roller	1
5	5012W202 Drum Frame Base	1
7	5012W204 Drum Brake Arm	1
8	5012W206 Lock Dog	1

BOM ID	Description	Qty
9	5013A303 Double Auto Chain Tightener	1
10	5013W308 PTO Spine Shaft w/ Sprocket	1
12	Z21202 Radial Ball Bearing .68 SKF	1
13	Z21203 Ball Bearing 6202 RS	2
14	Z29201 Grease Fitting, 1/8NPT	1
15	Z31403 Spring 25mm x 178mm x 0.105	1
16	Z46311 Clamp-on Shaft Collar	1

BOM ID	Description	Description	Qty
17	Z71307	Hex Bolt, 3/8NC x 3/4	2
18	Z71320	Hex Bolt 3/8NC x 2	1
19	Z71615	Hex Bolt 5/8NC x 1-1/2	2
20	Z72231	Hex Lock Nut 3/8NC	1
21	Z72251	Hex Lock Nut 1/2NC	1
22	Z72351	Jam Nut, 1/2NC	1

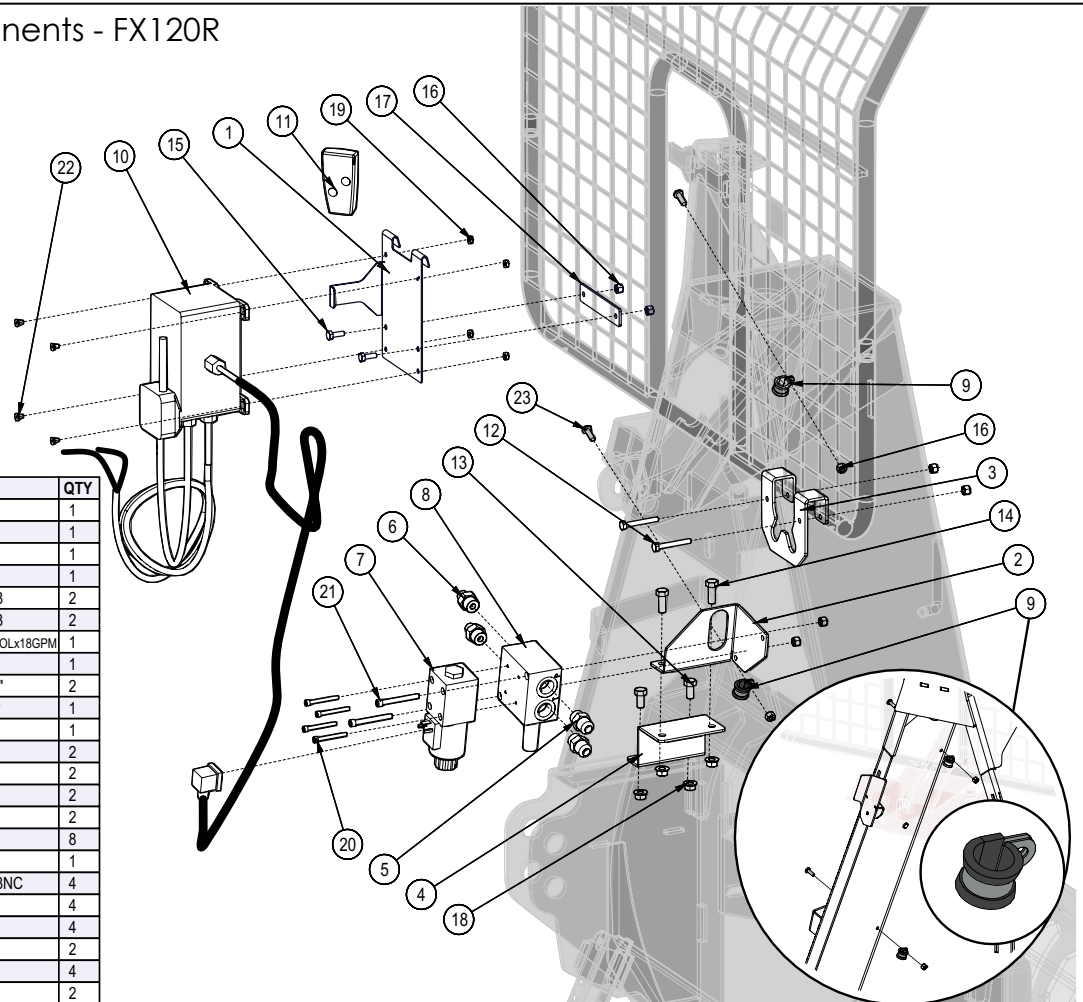


Cylinder / Clutch Plate Assembly - FX120R



ITEM	PART NUMBER	DESCRIPTION	QTY
33	5089C201	Cylinder, 1-1/2" x 3-1/2 Stroke	1
34	5089W201	Cylinder Pin	1
35	5089M202	Bushing	1
36	5089M203	Remote Control Clutch Plate	1
37	Z71735	Hex Bolt, 3/4NC x 3-1/2	1
38	Z72271	Hex Lock Nut, 3/4NC	1
39	Z78302	Machine Screw, #10-32NF x 3/8	2

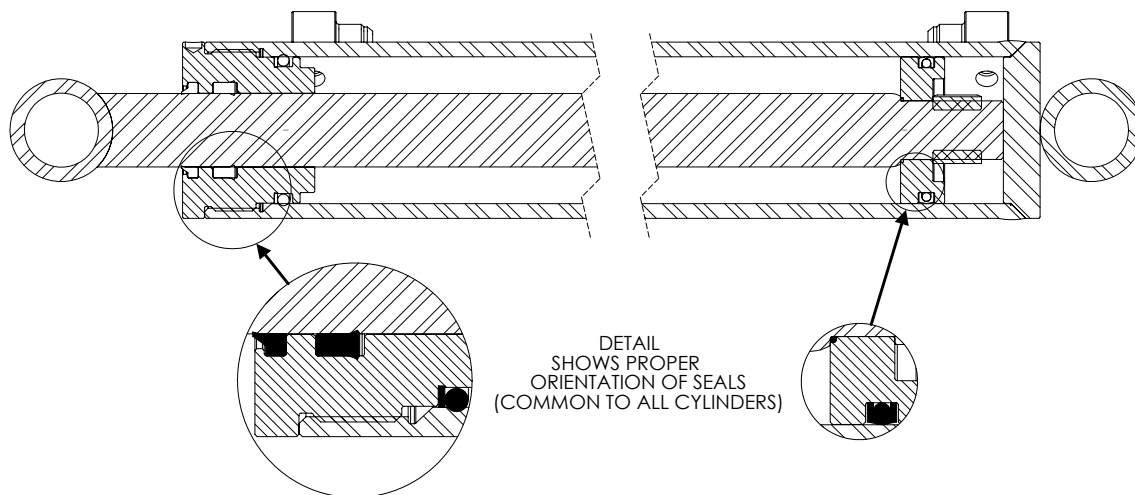
Remote Control Components - FX120R



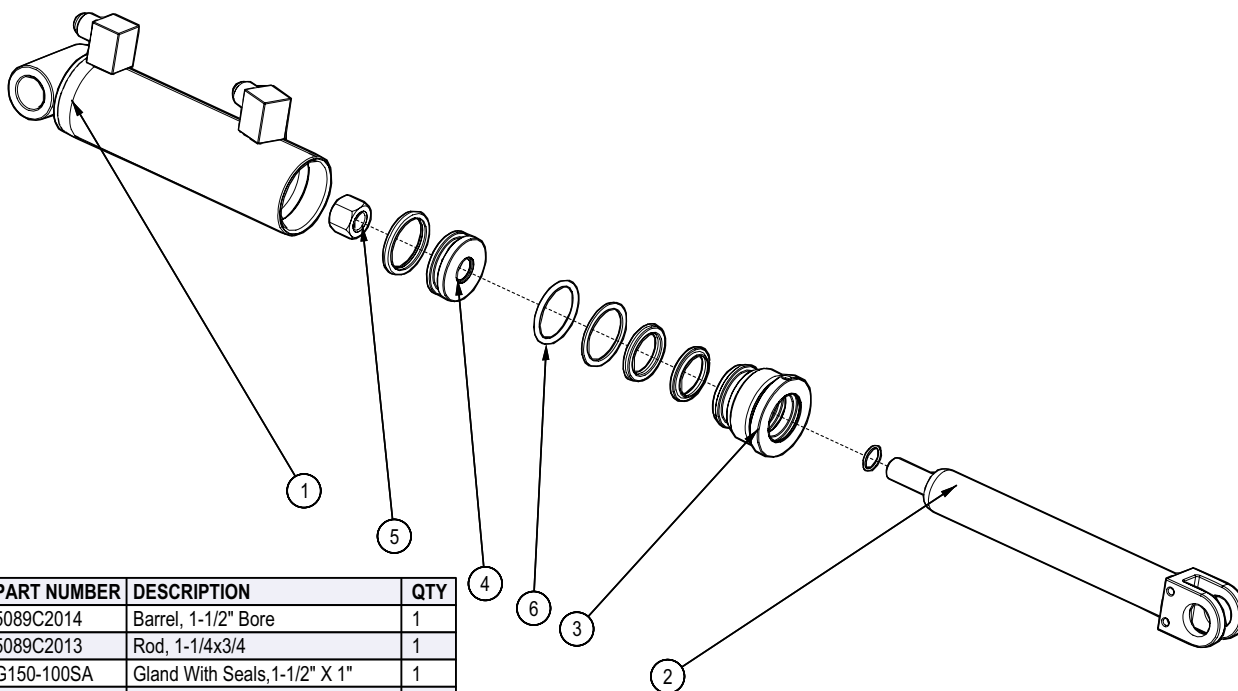
ITEM	PART NUMBER	DESCRIPTION	QTY
1	5089L215	Remote Box Mount	1
2	5089L208	Hydraulic Mount Base	1
3	5089L209	Hose Hanger	1
4	5089L210	Valve Mount Extension	1
5	Z51643	Straight, MJIC x MORB 0808	2
6	Z51644	Straight, MJIC x MORB 0608	2
7	Z56509	Single Spool Valve, OC Motor SOLx18GPM	1
8	Z56511	Subplate, Relief x 3000PSI	1
9	Z62819	Rubberized Wire Clamp, 1/2"	2
10	Z66208	Dual State Remote Receiver	1
11	Z66209	Remote Handset for Z66208	1
12	Z71120	Hex Bolt, 1/4NC x 2	2
13	Z71307	Hex Bolt, 3/8NC x 3/4	2
14	Z71310	Hex Bolt, 3/8NC x 1	2
15	Z71107	Hex Bolt, 1/4NC x 3/4	2
16	Z72211	Hex Lock Nut, 1/4NC	8
17	5089L216	Trap Plate	1
18	Z72531	Serrated Flange Locknut, 3/8NC	4
19	Z72752	Machine Nut, #10NF	4
20	Z75102	SHCS, #10NC x 1-3/4	4
21	Z75117	SHCS, 1/4NC x 2-1/4	2
22	Z75202	FHCS, #10NF x 3/8	4
23	Z78301	Machine Screw, 1/4NC x 3/4	2



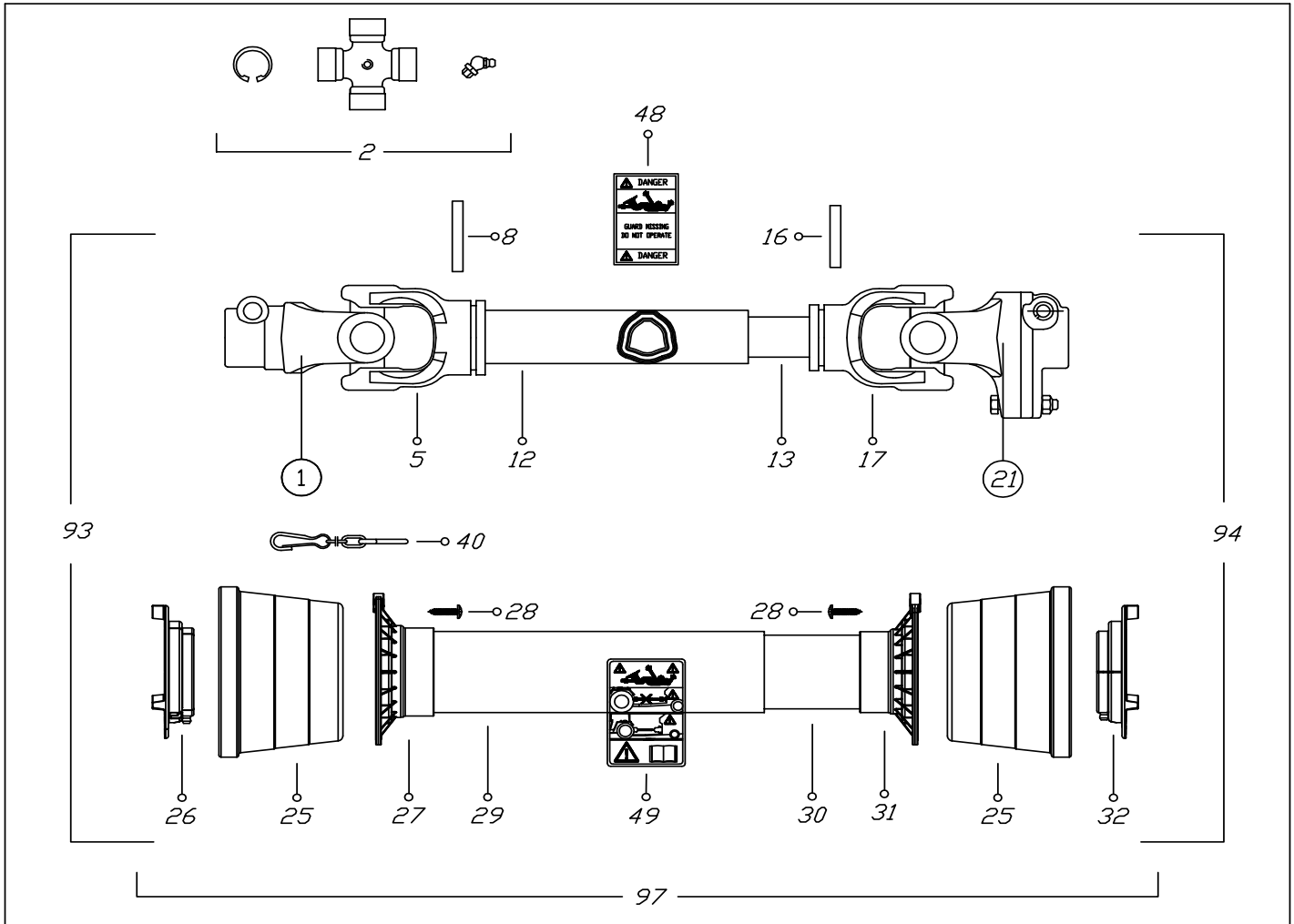
Cylinder Seal Installation - FX120R



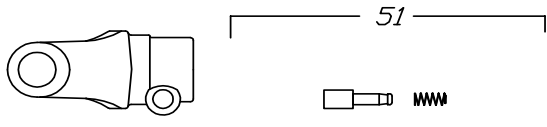
Hydraulic Cylinder Detail - FX120R



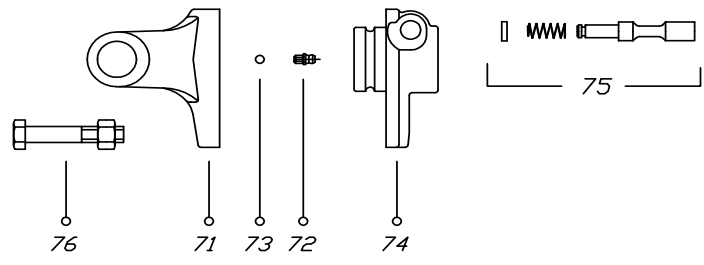
ITEM	PART NUMBER	DESCRIPTION	QTY
1	5089C2014	Barrel, 1-1/2" Bore	1
2	5089C2013	Rod, 1-1/4x3/4	1
3	G150-100SA	Gland With Seals, 1-1/2" X 1"	1
4	P500-150SA	Piston With Seals, 1-1/2"	1
5	Z72251	Hex Lock Nut, 1/2NC	1
6	SLK-1510AN	Seal Kit, 1-1/2" x 1 AN Style Wiper	1



①



②①



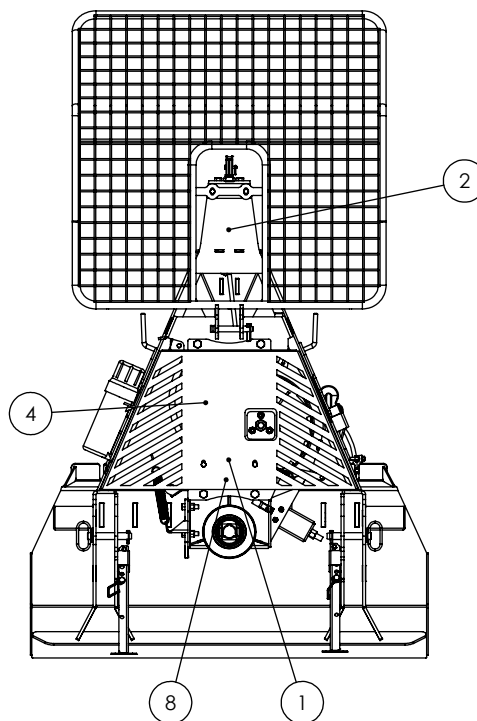
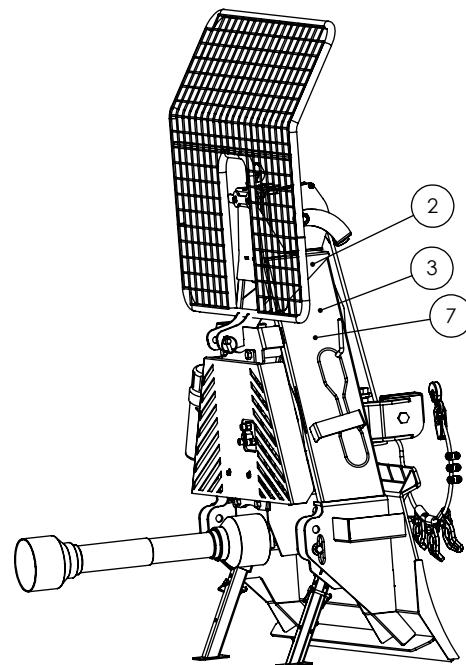
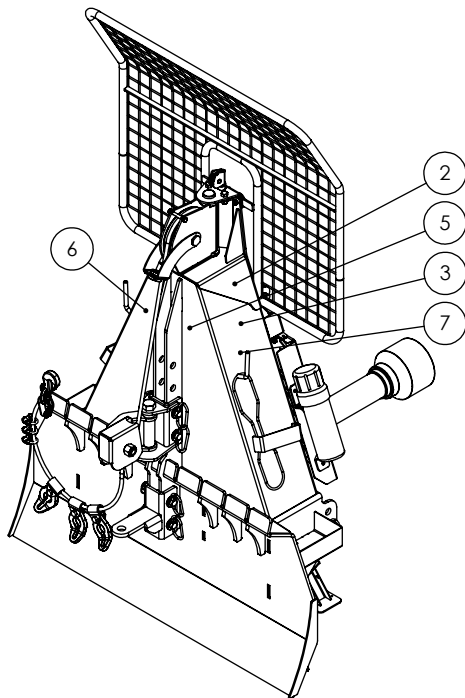
VIETATE LE RIPRODUZIONI NON AUTORIZZATE NOT PERMITTED AL RIGHTS RESERVED	TOUTE REPRODUCTION NON AUTORISEE EST INTERDITE NICHT GENEHMIGTE VERVIELFAELTUNGEN SIND UNZULAESSING	CODICE C.E.D. <b>B4N061USA60098</b>	DATA <b>25/03/10</b>
---	--	--	-------------------------

**Binacchi SPARE PARTS LIST : B4N061USA60098**

<b>POS.</b>	<b>DESCRIPTION</b>	<b>Q.</b>	<b>Part #</b>
01	YOKE	1	0800403
02	CROSS JOURNAL ASS.	2	08204
05	OUTER TUBE YOKE	1	08004021
08	FLEXIBLE PIN	1	098700860
12	CM. 100 CARDAN TUBE(*)	1	09881433100
13	CM. 100 CARDAN TUBE(*)	1	09881364100
16	FLEXIBLE PIN	1	098700855
17	INNER TUBE YOKE	1	08004011
21	SHEAR BOLT	1	08804
25	CONE SHIELD BELL 03-04	2	021904C001
26	OUTER BEARING 03-04	1	025504C001
27	OUTER BASE CONE 03-04	1	025404C001
28	SCREW	6	0998052242
29	OUTER SAFETY TUBE	1	0988966NB4061
30	INNER SAFETY TUBE	1	0988961NB4061
31	INNER BASE CONE 03-04	1	025404C002
32	INNER BEARING 03-04	1	025504C002
40	CHAIN	1	0252000001
48	LABEL DANGER OUTER DRIVE TUBE	1	09872006
49	EXTERNAL SHIELD LABEL	1	09872003
51	COMPLETE PUSH BUTTTON	1	0986014047
71	YOKE FOR LB4	1	08896904
72	GREASE NIPPLE	1	0984010150
73	STEEL BALL	23	098680104
74	HUB	1	088964
75	PUSH PIN SET	1	0986014075
76	NUT AND BOLT M8 x 1.25 x 45 10.9	1	Z44902
93	OUTER HALF SHAFT	1	B4N061US2
94	INNER HALF SHAFT	1	B4N061US1098
97	SAFETY GUARD	1	083US04061

## TWO PANEL FX120 SKIDDING WINCH DECAL BREAKDOWN

ITEM	PART NO.	DESCRIPTION	QTY
1	Z94118	Rotating Driveline Hazard	1
2	Z94019	Made in Canada	3
3	Z94114	Flying Object Hazard	2
4	Z94119	Read Manual	1
5	Z94001	Wallenstein Skidding Winch	1
6	Z94003	FX120	1
7	Z94160	Winch Controls	2
8	Z94161	Max RPM	1



# Two Panel FX120 Decals

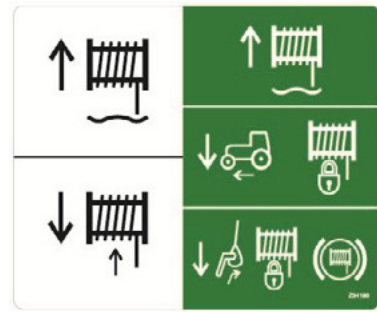
Z94161



Z94617



Z94160



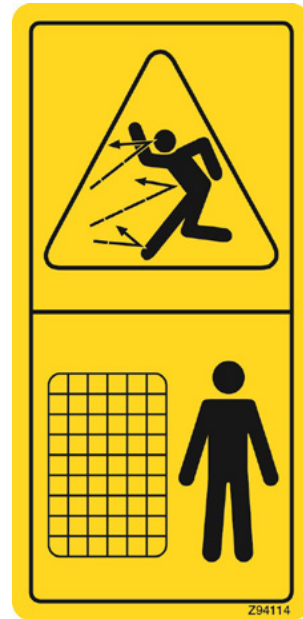
Z94118



Z94119



Z94114



Z94003



Z94001



Remote Control Hydraulic Schematic - FX120R

