



FX90 Skidding Winch Parts Manual

Prior to S/N 590456



Foreword

EMB Mfg. has prepared this parts manual to assist customers in ordering quality OEM replacement parts.

Proper and regular service and replacing old, worn or broken parts with the correct Wallenstein parts are essential to prolonging the life of your Wallenstein product. Please refer to this manual before ordering any replacement parts.

All information contained in this parts manual is based on the latest product specification available at the time of printing this manual. If your product differs from the specifications contained within this manual contact EMB Mfg. for information.

EMB reserves the right to alter specifications on their products at any time.

Reproduction of this parts manual of any kind is prohibited without prior written permission from EMB Mfg.

Note: Log splitters with factory installed light kits will have a VIN number included. The last six numbers of this VIN number are the splitters serial number

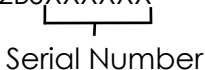
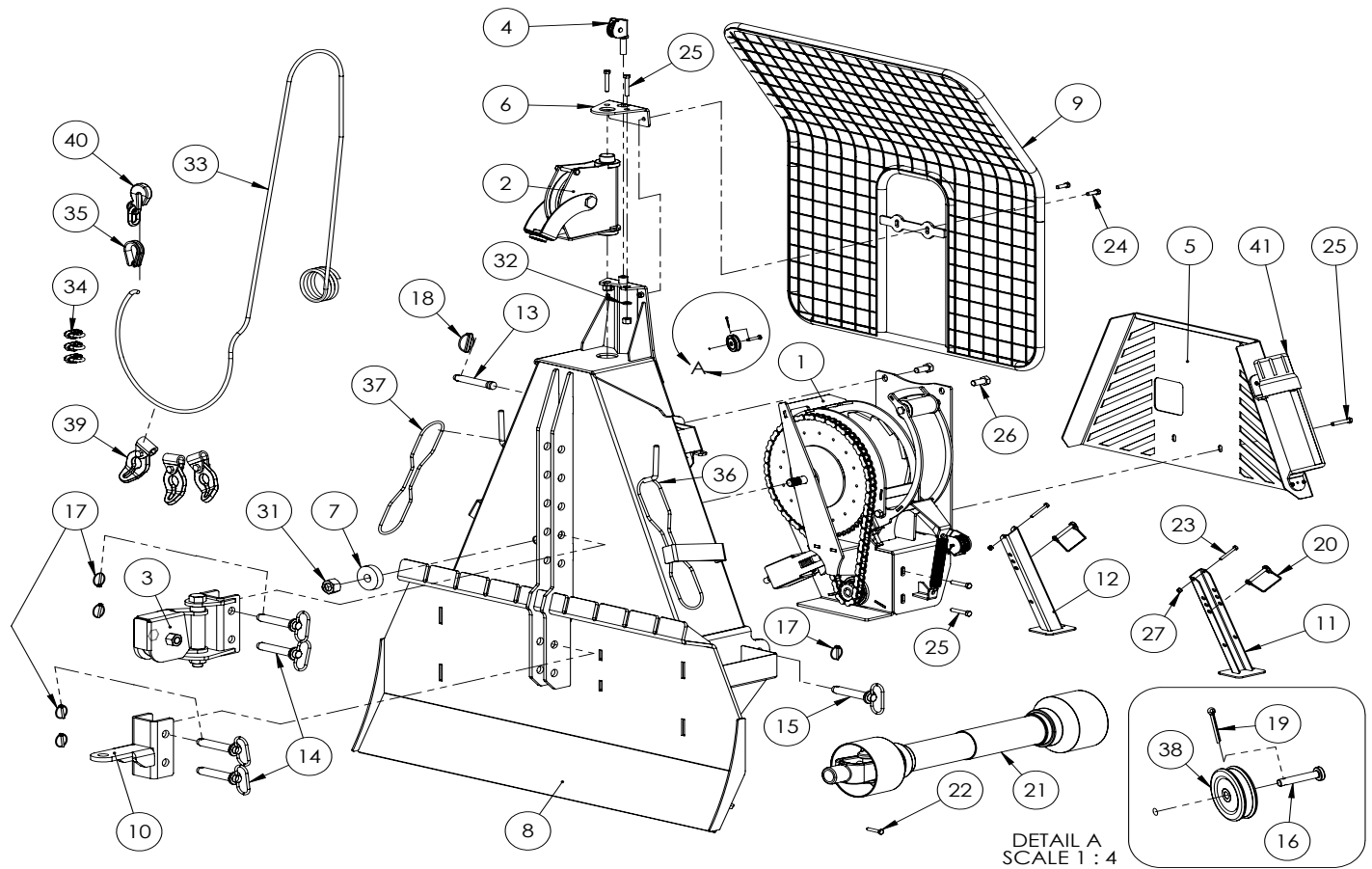
Example: 2E9US1112BSXXXXXX

Serial Number

Table of Contents

Main Parts	4
Lower Snatch Block & Top Cable Pulley	5
Drum Frame	6
Cable Drum	7
PTO Shaft	8
Decal Breakdown	10

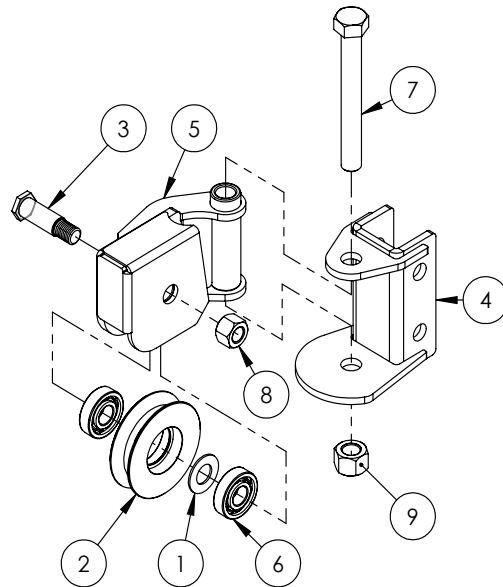


FX90 - FX120 MAIN ASSEMBLY PARTS BREAKDOWN

ITEM	FX90	FX120	DESCRIPTION	QTY.
1	5012A201	5013A301	Cable Drum Assembly	1
2	5012A205		Top Cable Pulley Assembly	1
3	5012A206		Lower Snatch Block	1
4	5012A207		Clutch Rope Pulley	1
5	5012L284	5013L384	Lower Protective Shield	1
6	5012L285		Top Pulley Capture Bracket	1
7	5012L289		Washer, Bearing Support	1
8	5012W201	5013W301	Main Frame	1
9	5012W214		Safety Screen	1
10	5012W216		Hitch	1
11	5012W217		Support Leg, RH	1
12	5012W218		Support Leg, LH	1
13	Z11122	-	Toplink Pin 3/4 x 3-7/8	1
14	-	Z11251	Hitch Pin 7/8 x 4-1/4	4
15	-	Z11271	Hitch Pin 1-1/8 x 6-1/4	2
16	Z11311	-	Clevis Pin 1/4 x 1-1/8	1
17	Z12110	-	Latch Pin 3/16	6
18	Z12140	-	Latch Pin 7/16	1
19	Z12311	-	Cotter Pin 1/8 X 1	1
20	Z12431	-	Snapper Pin 3/8 x 2-1/4	2

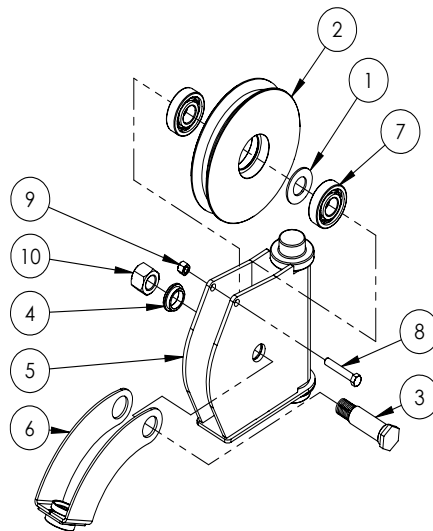
ITEM	FX90	FX120	DESCRIPTION	QTY.
21	Z44401	-	#4 PTO Shaft M8 Shear	1
22	Z44901	-	Shear Bolt, M8x1.25x45mm Gr8.8 (Includes Lock-nut)	1
23	Z71122	-	Hex Bolt 1/4NC x 2-1/4	2
24	Z71312	-	Hex Bolt 3/8NC x 1-1/4	2
25	Z71322	-	Hex Bolt, 3/8NC x 2-1/4	6
26	Z71615	-	Hex Bolt 5/8NC x 1-1/2	2
27	Z72211	-	Hex Lock Nut 1/4NC	2
28	Z72231	-	Hex Lock Nut 3/8NC	2
29	Z72251	-	Hex Lock Nut 1/2NC	4
30	Z72261	-	Hex Lock Nut 5/8NC	2
31	Z72291	-	Hex Lock Nut 1NC	1
32	Z73350	-	Lock Washer 1/2	2
33*	Z92101*	-	Winch Cable 3/8 x 165'	1
	-	Z92102	Winch Cable 1/2 x 165'	
34*	Z92103*	-	Cable clamp 3/8	3
	-	Z92104	Cable Clamp 1/2	
35	Z92105	-	Thimble, Cable Protector	1
36	Z92205	-	Drum Brake Rope	1
37	Z92201	-	Clutch Control Rope	1
38	Z92203	-	1/4 Groove Pulley 2 Diam.	1
39	Z92301	-	Keyhole Slider	3
40	Z92302	-	Grab Hook	1
41	Z96502	-	Manual Tube 3-1/2	1

*Parts applicable prior to S/N 590456.



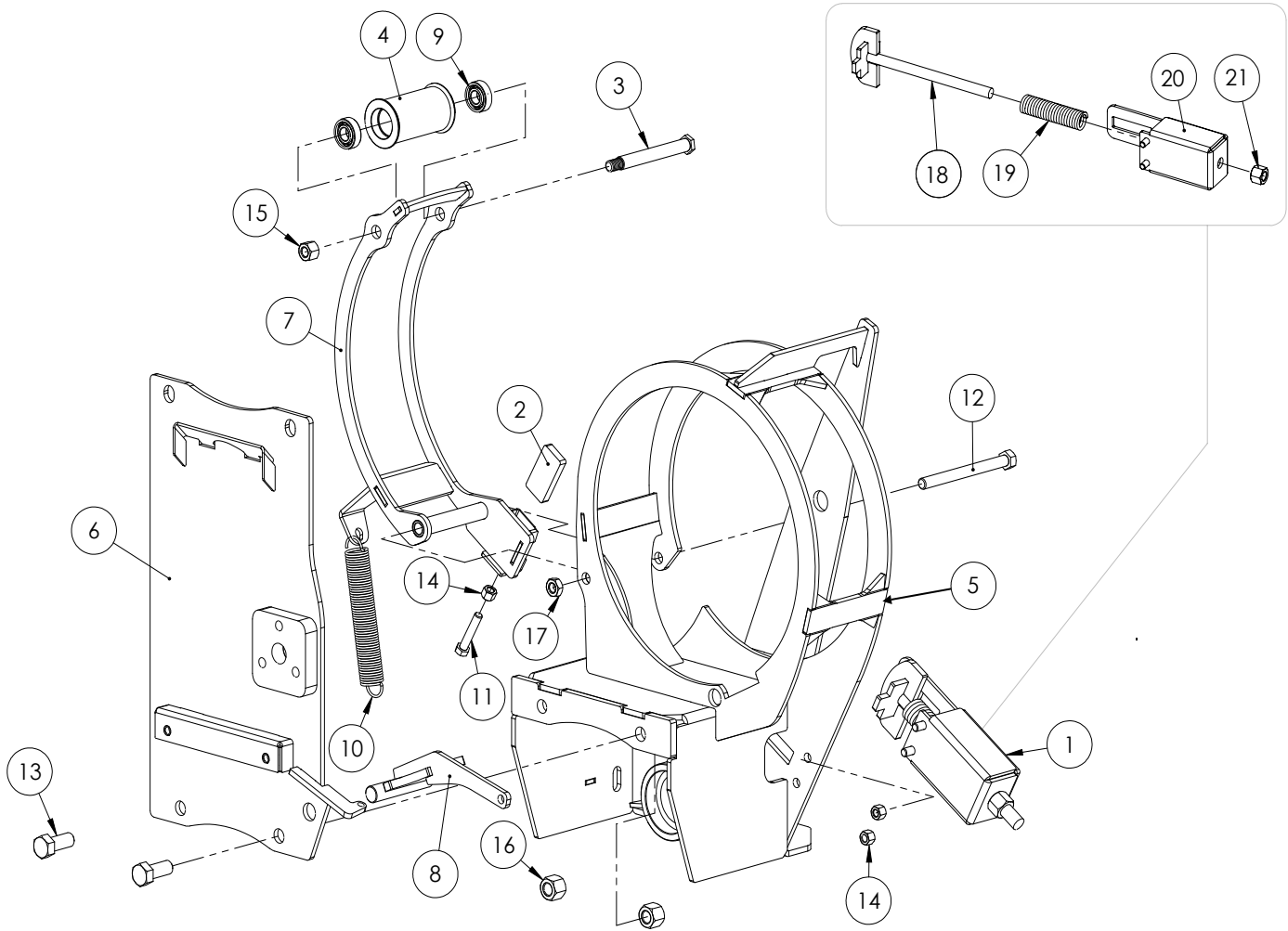
LOWER SNATCH BLOCK ASSEMBLY

ITEM	PART NO.	DESCRIPTION	QTY
1	5012L264	Washer, Bearing Spacer	1
2	5012M223	Snatch Block Pulley	1
3	5012M224	Snatch Block Pulley Pin	1
4	5012W212	Snatchblock Base	1
5	5012W213	Snatchblock Swivel Housing	1
6	Z21201	Ball Bearing 6305 RS	2
7	Z71915	Hex Bolt 1NC x 8	1
8	Z72281	Hex Lock Nut 7/8NC	1
9	Z72291	Hex Lock Nut 1NC	1



TOP CABLE PULLEY ASSEMBLY

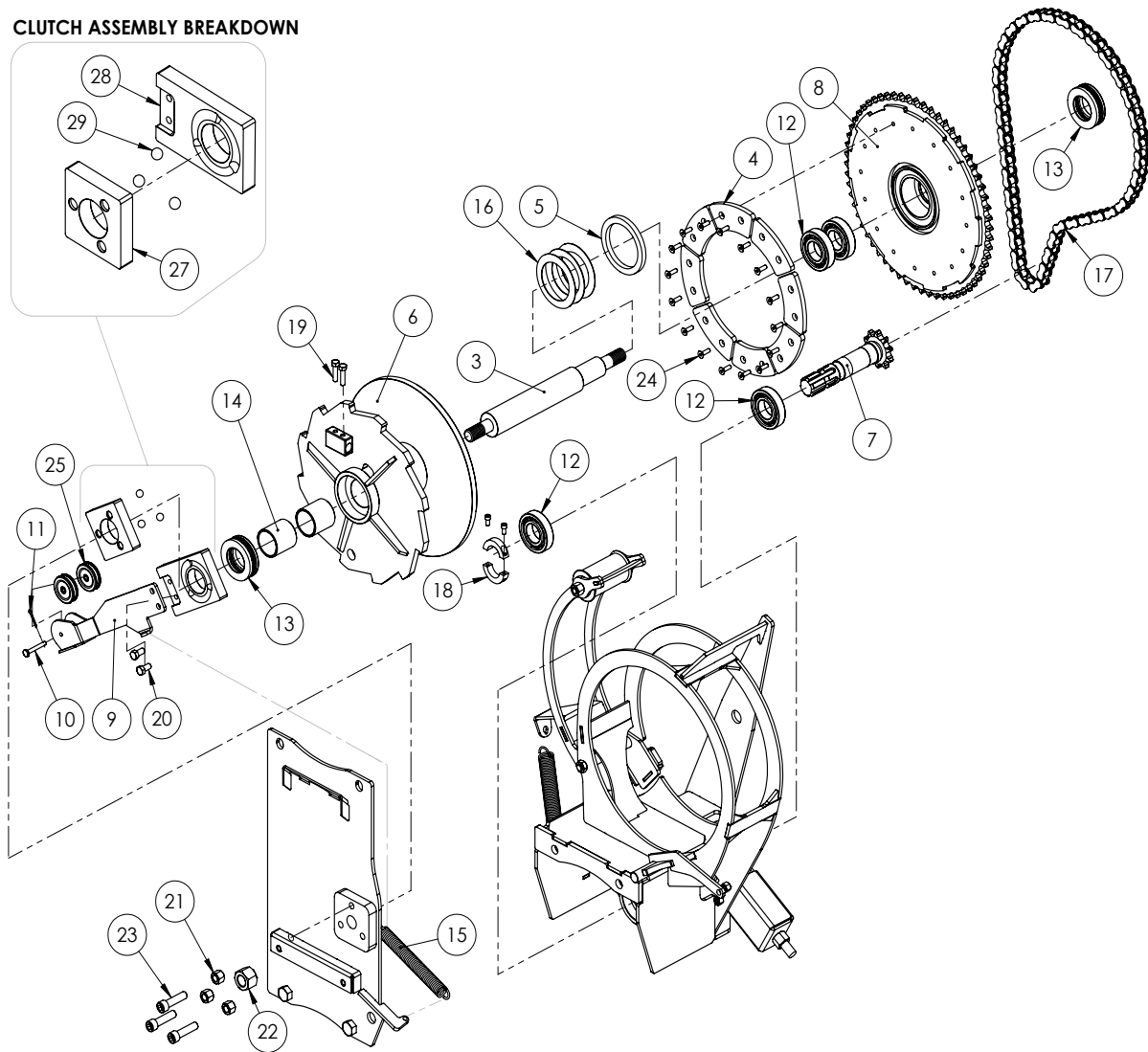
ITEM	PART NO.	DESCRIPTION	QTY
1	5012L264	Washer, Bearing Spacer	1
2	5012M220	Top Cable Pulley	1
3	5012M221	Top Pulley Pin	1
4	5012M222	Cable Guide Swing Bushing	1
5	5012W210	Top Pulley Housing	1
6	5012W211	Cable Guide	1
7	Z21201	Ball Bearing 6305 RS	2
8	Z71322	Hex Bolt, 3/8NC x 2-1/4	1
9	Z72231	Hex Lock Nut 3/8NC	1
10	Z72281	Hex Lock Nut 7/8NC	1



DRUM FRAME ASSEMBLY

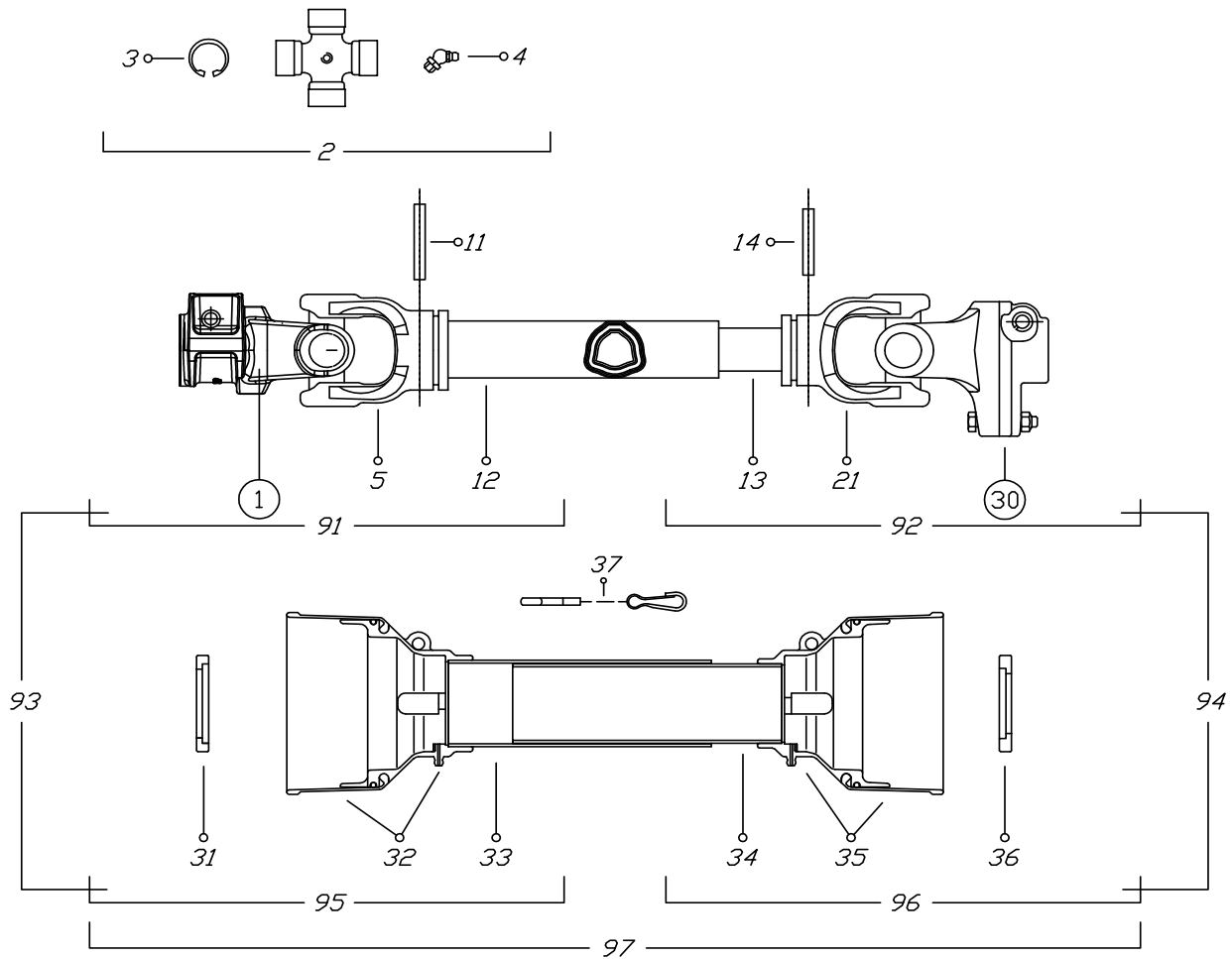
ITEM	PART NO.	DESCRIPTION	QTY
1	5012A203	Single Auto Chain Tightener	1
2	5012M204	Block, Drum Brake	1
3	5012M205	Cable Roller Pin	1
4	5012M206	Brake Arm Cable Roller	1
5	5012W202	Drum Frame Base	1
6	5012W203	Drum Frame Capture Plate	1
7	5012W204	Drum Brake Arm	1
8	5012W206	Lock Dog	1
9	Z21203	Ball Bearing 6202 RS	2
10	Z31403	Spring 25mm x 178mm x 0.105	1
11	Z71320	Hex Bolt 3/8NC x 2	1
12	Z71555	Hex Bolt 1/2NC x 51/2	1
13	Z71615	Hex Bolt 5/8NC x 11/2	2
14	Z72231	Hex Lock Nut 3/8NC	3
15	Z72251	Hex Lock Nut 1/2NC	1
16	Z72261	Hex Lock Nut 5/8NC	2
17	Z72451	Hex Jam Lock Nut, 1/2NC	1
18	5012W205	Chain Tightener Plunger	1
19	Z32401	Heavy Spring 1 x 7	1
20	5012W221	Chain Tightener Housing	1
21	Z72261	Hex Lock Nut 5/8NC	1

CLUTCH ASSEMBLY BREAKDOWN

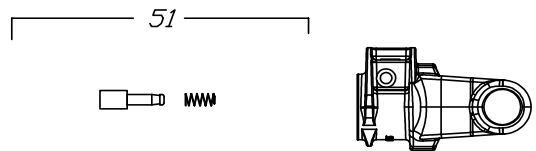


CABLE DRUM ASSEMBLY

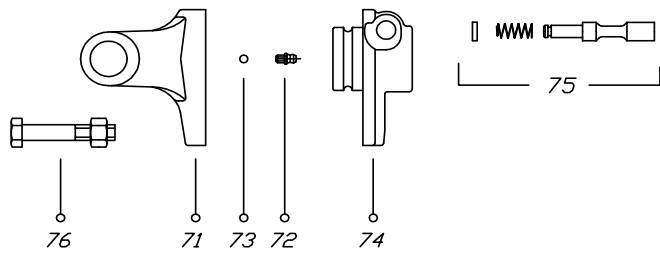
ITEM	PART NO.	DESCRIPTION	QTY
1	5012A202	Cable Drum Frame	1
2	5012A204	Clutch Assembly	1
3	5012M214	Main Drum Shaft	1
4	5012M215	Clutch Pad Set (8 pieces)	1
5	5012M228	Nylon Bearing Washer	1
6	5012W207	FX90 Cable Drum	1
7	5012W208	PTO Spline Shaft w/ Sprocket	1
8	5012W209	60 Tooth Sprocket	1
9	5012W220	Clutch Lever	1
10	Z11312	Clevis Pin 1/4 x 1-5/8	1
11	Z12311	Cotter Pin 1/8 x 1	1
12	Z21202	Ball Bearing 6207-RS	4
13	Z22101	Thrust Bearing 1-3/4 Bore	2
14	Z27101	Fiberglide Bearing 1-3/4 x 2	2
15	Z31405	Spring 7/8 x 7 Heavy	1
16	Z34101	Cup Spring 2-3/4	3
17	Z42151	#60 Chain 76 Links	1
18	Z46311	Clamp-on Shaft Collar	1
19	Z71212	Hex Bolt 5/16NC x 1-1/4	2
20	Z71307	Hex Bolt 3/8NC x 3/4	2
21	Z72252	Hex Lock Nut 1/2NF	3
22	Z72281	Hex Lock Nut 7/8NC	1
23	Z75151	Cap Screw 1/2NF x 2	3
24	Z75211	FHCS 1/4NC x 7/8	16
25	Z92203	1/4 Groove Pulley 2 Diam.	2
ITEM	PART NO.	DESCRIPTION	QTY
27	5012M212	Clutch Engagmnet Nut	1
28	5012M213	Clutch, Engagment Block-Handle	1
29	Z29101	Roller Ball, 1/2	3



①



③①



VIETATE LE RIPRODUZIONI NON AUTORIZZATE
NOT PERMITTED AL RIGHTS RESERVED

TOUTE REPRODUCTION NON AUTORISEE EST INTERDITE
NICHT GENEHMIGTE VERVIELFÄLTUNGEN SIND UNZULÄSSIG

CODICE C.E.D.
B4080EA60098

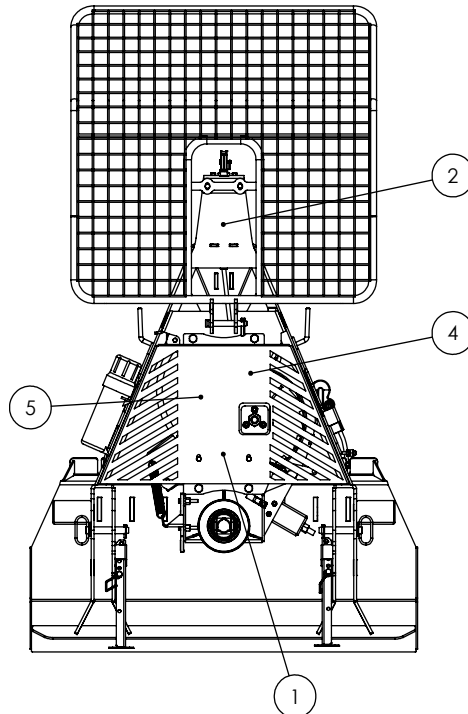
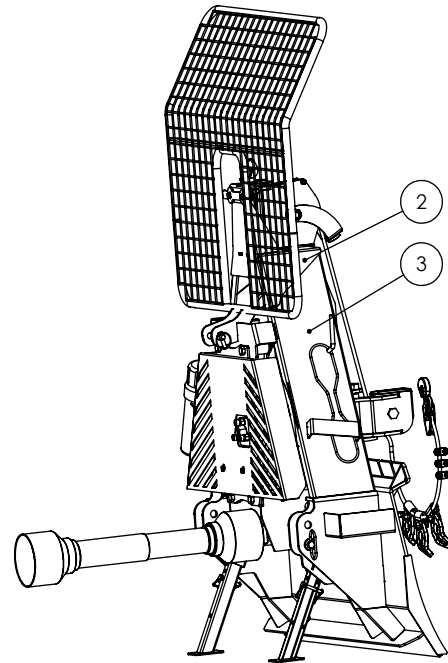
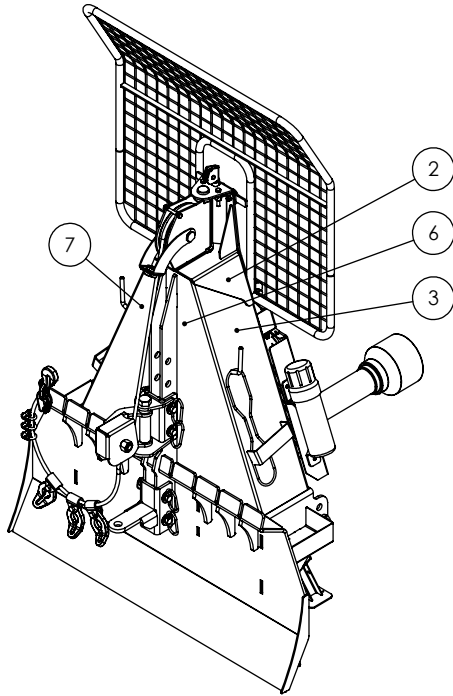
DATA
19/02/08

BINACCHI SPARE PARTS LIST : B4080EA60098

POS.	DESCRIPTION	Q.	Part #
01	YOKE	1	0800403
02	CROSS JOURNAL ASS.	2	08204
03	CIRCLIP	8	09802027
04	GREASE NIPPLE	2	09840081002
05	OUTER TUBE YOKE	1	08004021
11	FLEXIBLE PIN	1	098700860
12	CM. 100 CARDAN TUBE(*)	1	09881433100
13	CM. 100 CARDAN TUBE(*)	1	09881364100
14	FLEXIBLE PIN	1	098700855
21	INNER TUBE YOKE	1	08004011
30	SHEAR BOLT LB4	1	08804
31	OUTER BEARING	1	0265140007
32	OUTER BASIC CONE	1	0256040324
33	OUTER SAFETY TUBE	1	0988966B4080
34	INNER SAFETY TUBE	1	0988961B4080
35	INNER BASIC CONE	1	0256040325
36	INNER .BEARING	1	0265140008
37	CHAIN	1	0252000001
51	COMPLTE PUSH BUTTON	1	0986014047
71	YOKE FOR LB4	1	08896904
72	GREASE NIPPLE	1	0984010150
73	STEEL BALL	23	098680104
74	HUB	1	088964A60
75	PUSH PIN SET	1	0986014075
76	NUT AND BOLT	1	099008050B
91	OUTER HALF SHAFT	1	B408002
92	INNER HALF SHAFT	1	B408001098
93	OUTER HALF SHAFT	1	B4080E2
94	INNER HALF SHAFT	1	B4080E1098
95	OUTER HALF SAFETY GUARD	1	083E040802
96	INNER HALF SAFETY GUARD	1	083E040801
97	SAFETY GUARD	1	083E04080

FX90 SKIDDING WINCH DECAL BREAKDOWN

ITEM	PART NO.	DESCRIPTION	QTY
1	Z94042	Rotating Driveline Hazard	1
2	Z94019	Made in Canada	3
3	Z94043	Flying Object Hazard	2
4	Z94058	Clutch Adjustment	1
5	Z94041	Read Manual	1
6	Z94001	Wallenstein Skidding Winch	1
7	Z94002	FX90	1



FX90 Decals

Z94042



Z94058



Z94019



Z94041



Z94043



Z94002



Z94001





WALLENSTEIN Products Manufactured by:

EMB MFG Inc.

4144 Boomer Line
St. Clements, Ontario
Canada N0B 2M0
Phone: 1-877-695-9283
Fax: 519-699-4146
www.embmfg.com