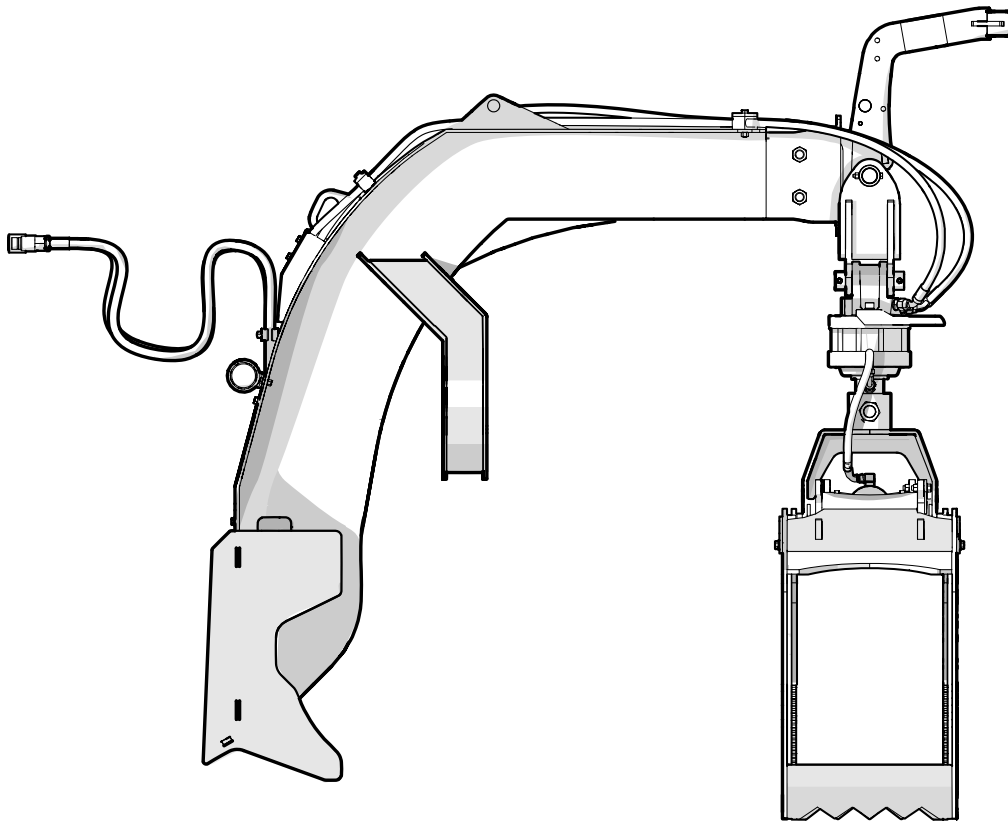


PARTS MANUAL

Serial Number 430R001 & up

LXG430R SKID STEER LOG GRAPPLE



Foreword

This Wallenstein parts manual is prepared to assist customers in ordering quality OEM replacement parts.

Regular maintenance combined with replacing old, worn or broken parts with the correct OEM parts is essential in prolonging the life of your Wallenstein product. Refer to this manual to identify replacement parts.

To order parts, contact your Wallenstein dealer or distributor. Have the product model and serial number handy.

If your dealer is no longer available, please go to our website: <http://wallensteinequipment.com> and click on the [Dealer Locator](#) to find the nearest dealer.

All information contained in this parts manual is current as per the revision date at the bottom of the page. Wallenstein reserves the right to change product specifications at any time without notice.

If your product specifications differ from those contained in this manual, contact Wallenstein for current information.

Reproduction of information in this parts manual is prohibited without prior written permission from Wallenstein Equipment Inc.

Wallenstein Equipment Inc. • © 2021

WARNING!

Refer to the operators manual for safe operation and maintenance.

Maintenance should be performed by trained personnel only.

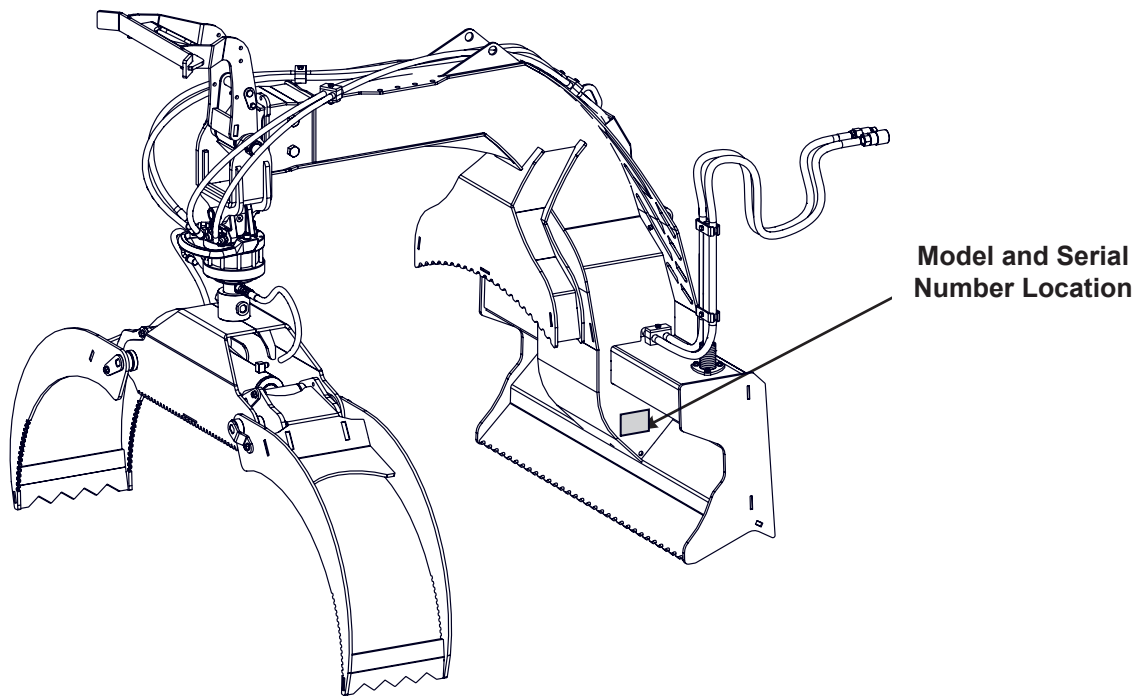
Serial Number Location

Always provide the model and serial number of your Wallenstein product when ordering parts or requesting service or other information. This information is found on the product information plate as shown below.

Record your product information here for future reference.

Model _____

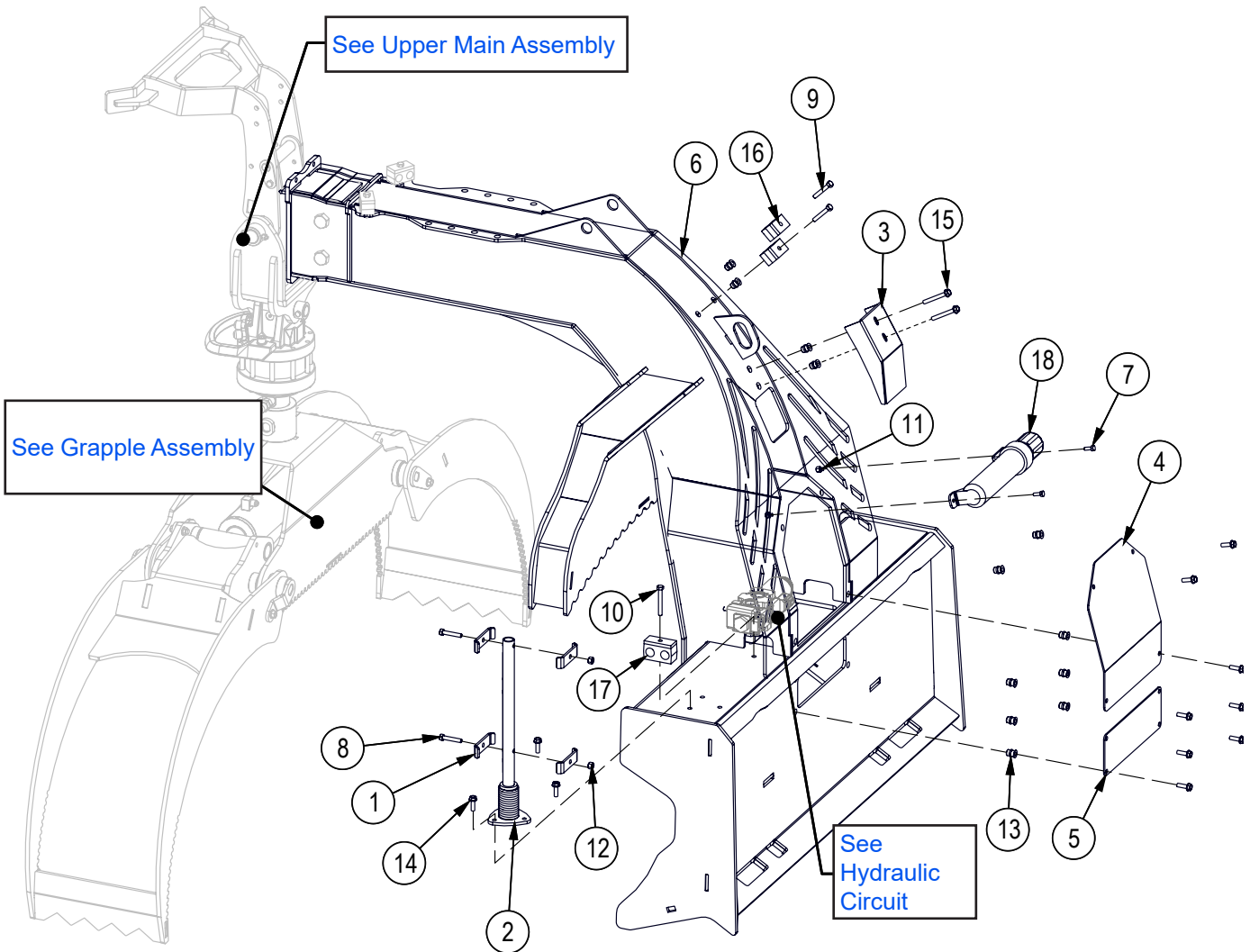
Serial Number _____



Contents

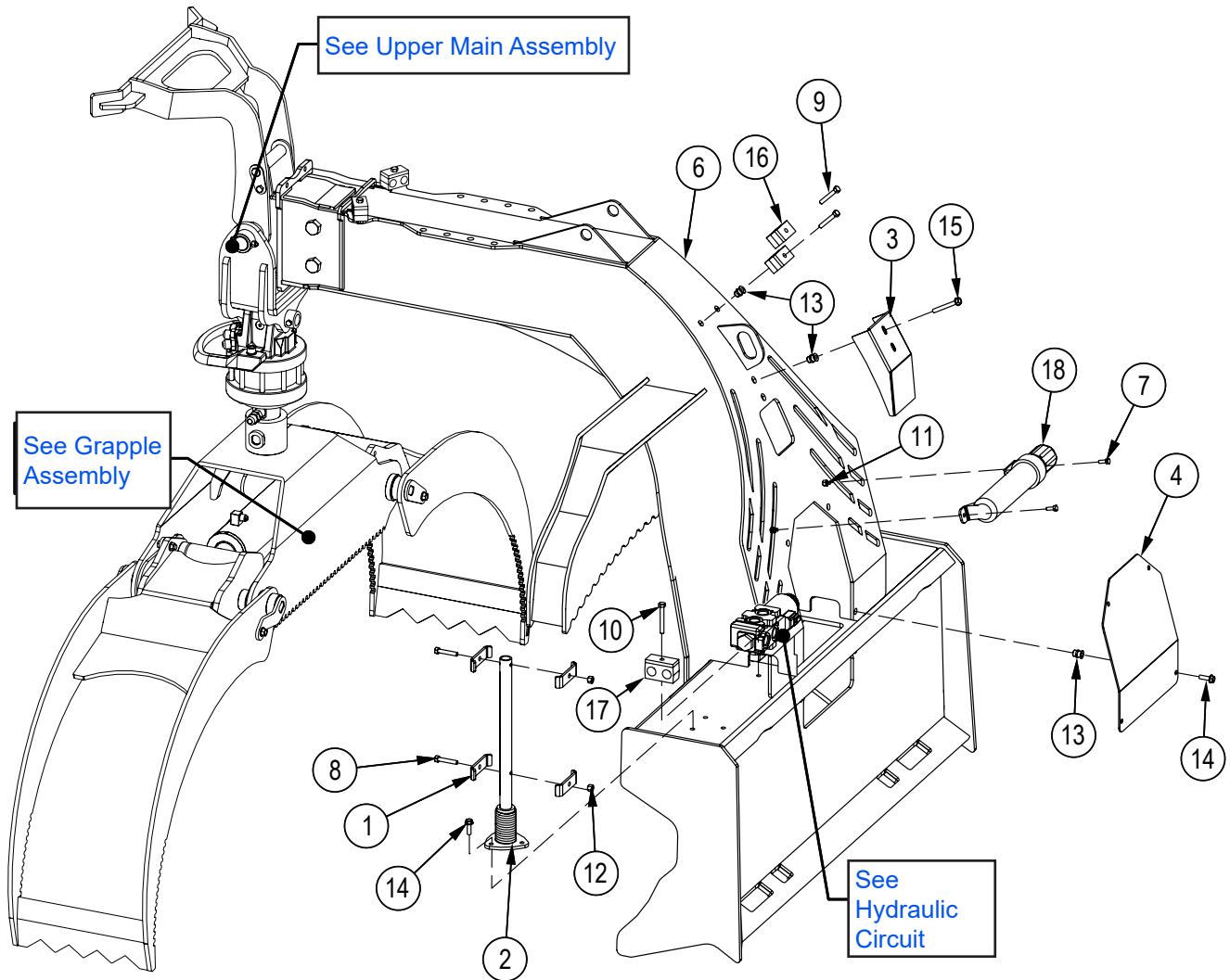
Lower Main Frame Assembly S/N 430R001 to 430R008	4A
Lower Main Frame Assembly S/N 430R009 to 430R017	4B
Lower Main Frame Assembly S/N 430R018 & Up.....	4C
Upper Main Frame Assembly	5
Grapple Assembly S/N 430R001 to 430R017	6A
Grapple Assembly S/N 430R018 & Up.....	6B
Outer Fork Assembly Detail S/N 430R001 to 430R017	7A
Outer Fork Assembly S/N 430R018 & Up.....	7B
Cylinder Detail.....	8
Valve Assembly Detail	8
Selector Switch Assembly Detail.....	9
Hydraulic Circuit	10
Decal Layout.....	11
Accessories	12
Common Bolt Torque Values	13
Hydraulic Fitting Torque Values	14

Lower Main Frame Assembly S/N 430R001 to 430R008



Item No.	Part No.	Description	Qty
1	3011L176	Clamp, Two Hose	4
2	6071W102	Hose Mount Whip	1
3	6073L514	Box, Hydraulic Hose Cover	1
4	6073L516	Plate, Short Hydraulic Cover	1
5	6073L517	Plate, Lower Hydraulic Cover	1
6	6073W501	Mainframe	1
7	Z76111	Flange Bolt, 1/4NC x 3/4"	2
8	Z71217	Hex Bolt, 5/16NC x 1-3/4"	2
9	Z71222	Hex Bolt, 5/16NC x 2-1/4"	2
10	Z71225	Hex Bolt, 5/16NC x 2-1/2"	1
11	Z72211	Hex Lock Nut, 1/4NC	2
12	Z72221	Hex Lock Nut, 5/16NC	2
13	Z72957	Rivet Nut, 5/16NC x 312	12
14	Z76125	Flange Bolt, 5/16NC x 1"	11
15	Z76126	Flange Bolt, 5/16NC x 2-1/2"	2
16	Z79463	Double Hose Clamp, 11/16" OD	2
17	Z79464	Double Hose Clamp, 13/16" OD	1
18	Z96505	Manual Tube, 2" Short	1

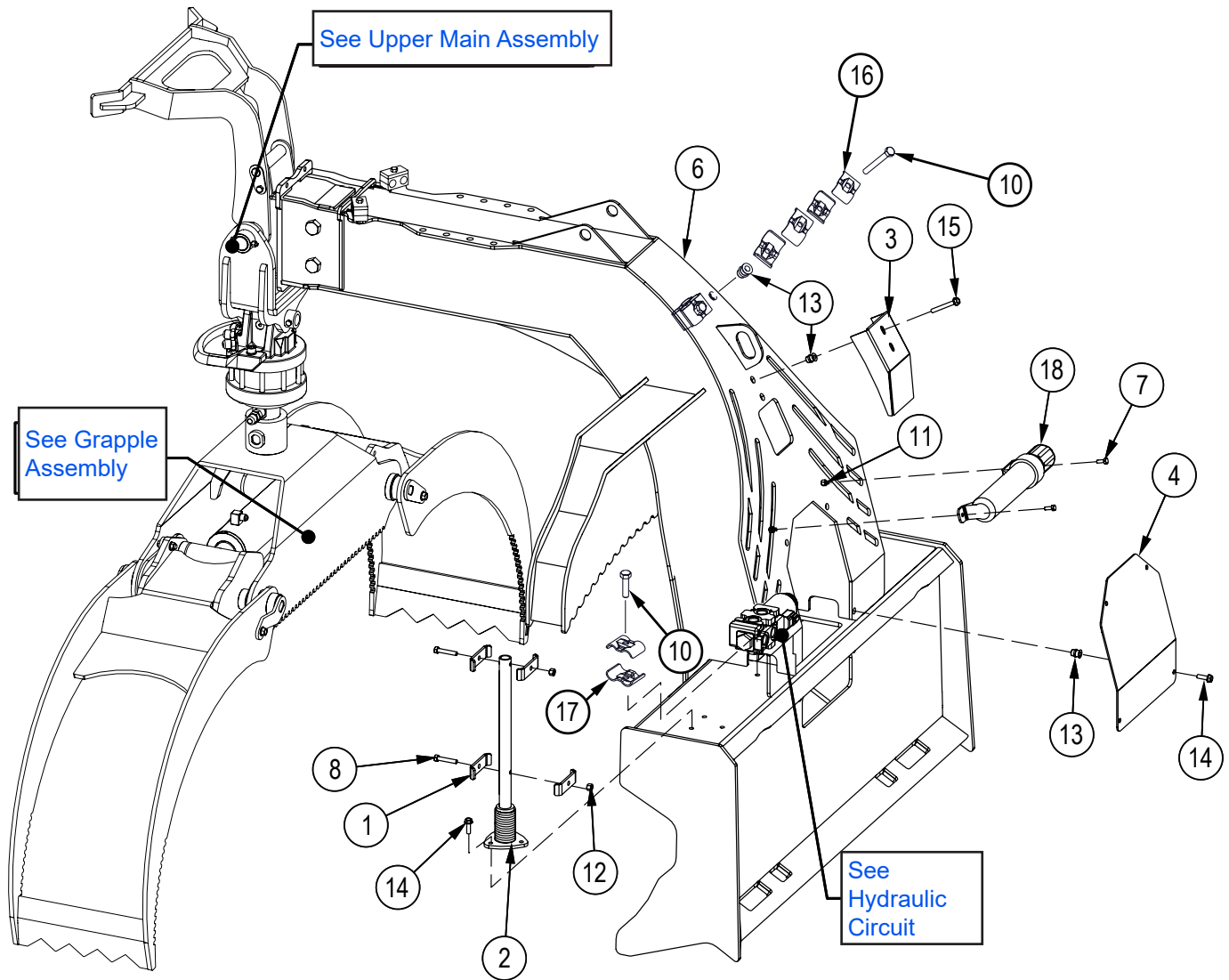
Lower Main Frame Assembly S/N 430R009 to 430R017



Item No.	Part No.	Description	Qty
1	3011L176	Clamp, Two Hose	4
2	6071W102	Hose Mount Whip	1
3	6073L514	Box, Hydraulic Hose Cover	1
4	6073L516	Plate, Short Hydraulic Cover	1
6	6073W501	Mainframe	1
7	Z76111	Flange Bolt, 1/4NC x 3/4"	2
8	Z71217	Hex Bolt, 5/16NC x 1-3/4"	2
9	Z71222	Hex Bolt, 5/16NC x 2-1/4"	2
10	Z71225	Hex Bolt, 5/16NC x 2-1/2"	1

Item No.	Part No.	Description	Qty
11	Z72211	Hex Lock Nut, 1/4NC	2
12	Z72221	Hex Lock Nut, 5/16NC	2
13	Z72957	Rivet Nut, 5/16NC x 312	12
14	Z76125	Flange Bolt, 5/16NC x 1"	11
15	Z76126	Flange Bolt, 5/16NC x 2-1/2"	2
16	Z79463	Double Hose Clamp, 11/16" OD	2
17	Z79464	Double Hose Clamp, 13/16" OD	1
18	Z96505	Manual Tube, 2" Short	1

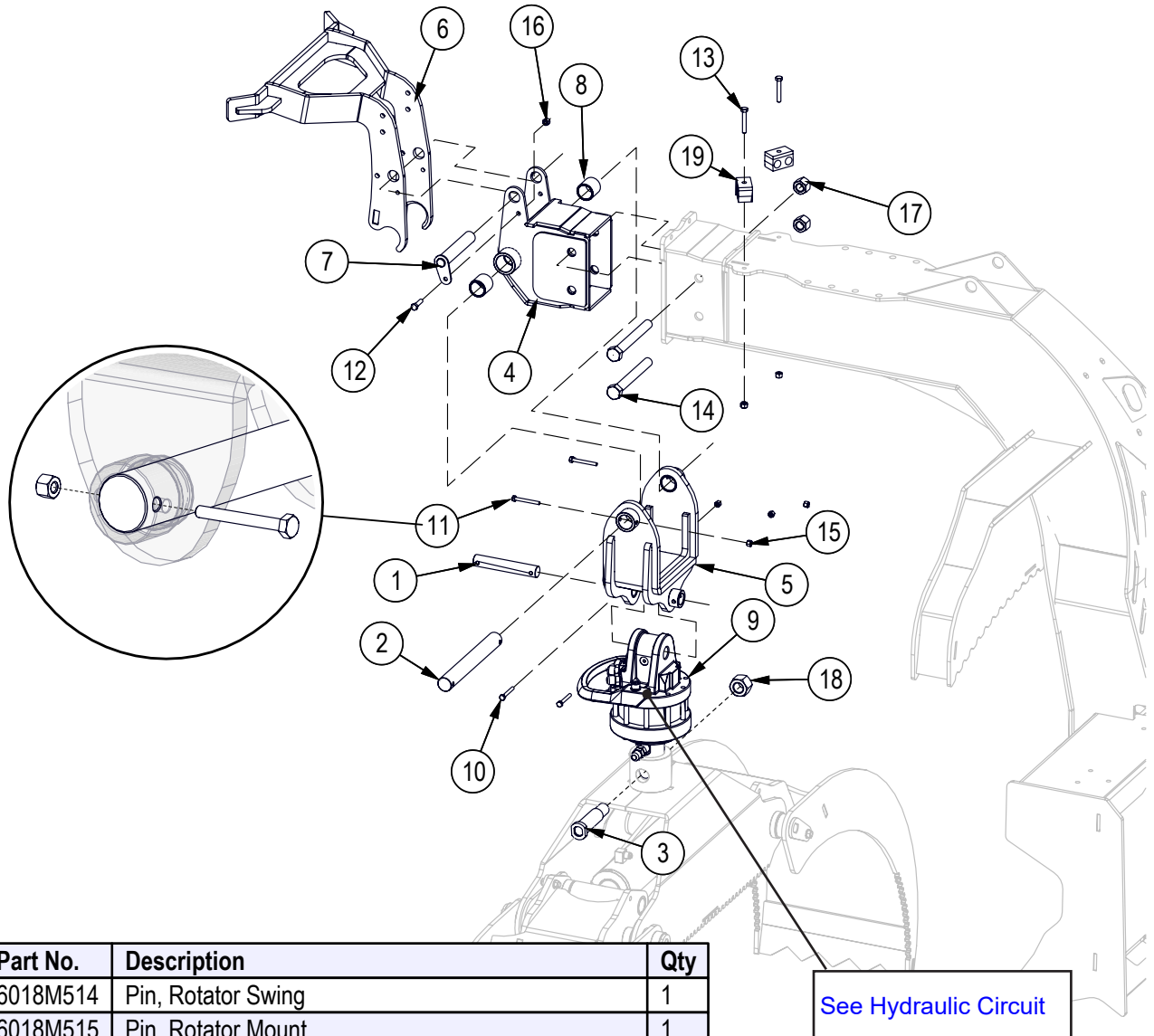
Lower Main Frame Assembly S/N 430R018 & Up



Item No.	Part No.	Description	Qty
1	3011L176	Clamp, Two Hose	4
2	6071W102	Hose Mount Whip	1
3	6073L514	Box, Hydraulic Hose Cover	1
4	6073L516	Plate, Short Hydraulic Cover	1
6	6073W501	Mainframe	1
7	Z76111	Flange Bolt, 1/4NC x 3/4"	2
8	Z71217	Hex Bolt, 5/16NC x 1-3/4"	2
10	Z71217	Hex Bolt, 5/16NC x 1-3/4"	5

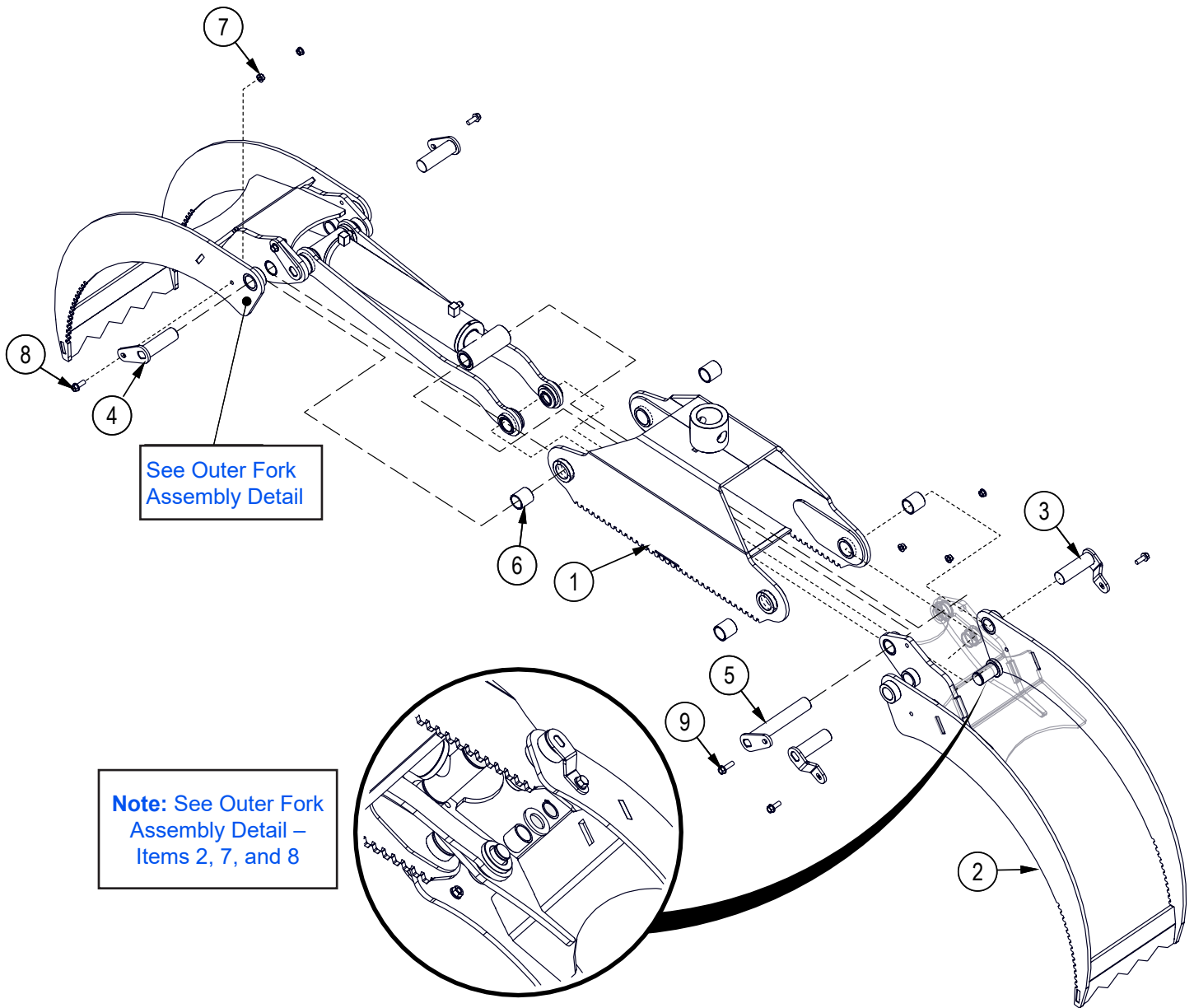
Item No.	Part No.	Description	Qty
11	Z72211	Hex Lock Nut, 1/4NC	2
12	Z72221	Hex Lock Nut, 5/16NC	2
13	Z72957	Rivet Nut, 5/16NC x 312	12
14	Z76125	Flange Bolt, 5/16NC x 1"	11
15	Z76126	Flange Bolt, 5/16NC x 2-1/2"	2
16	2250L286	Hose Clamp, 2 x 3/8"	8
17	Z2054L412	Hose Clamp, 2 x 3/8"	1
18	Z96505	Manual Tube, 2" Short	1

Upper Main Frame Assembly



Item No.	Part No.	Description	Qty
1	6018M514	Pin, Rotator Swing	1
2	6018M515	Pin, Rotator Mount	1
3	6018W514	Clamp Mount Pin	1
4	6018W506	Hanger Arm	1
5	6018W507	Hanger	1
6	6018W513	Push Bar	1
7	6018W515	Push Bar Mount Pin	1
8	Z27107	Composite Bearing, 1-1/4" ID x 1-1/2" long x 1/8" Wall	2
9	Z54110	Hydraulic Rotator, CR400W	1
10	Z71120	Hex Bolt, 1/4NC x 2"	2
11	Z71122	Hex Bolt, 1/4NC x 2-1/4"	2
12	Z71212	Hex Bolt, 5/16NC x 1-1/4"	1
13	Z71220	Hex Bolt, 5/16NC x 2"	2
14	Z71765	Hex Bolt, 3/4NC x 6-1/2"	2
15	Z72211	Hex Lock Nut, 1/4NC	4
16	Z72221	Hex Lock Nut, 5/16NC	3
17	Z72271	Hex Lock Nut, 3/4NC	2
18	Z72291	Hex Lock Nut, 1NC	1
19	Z79463	Double Hose Clamp, 11/16" OD	2

Grapple Assembly S/N 430R001 to 430R017

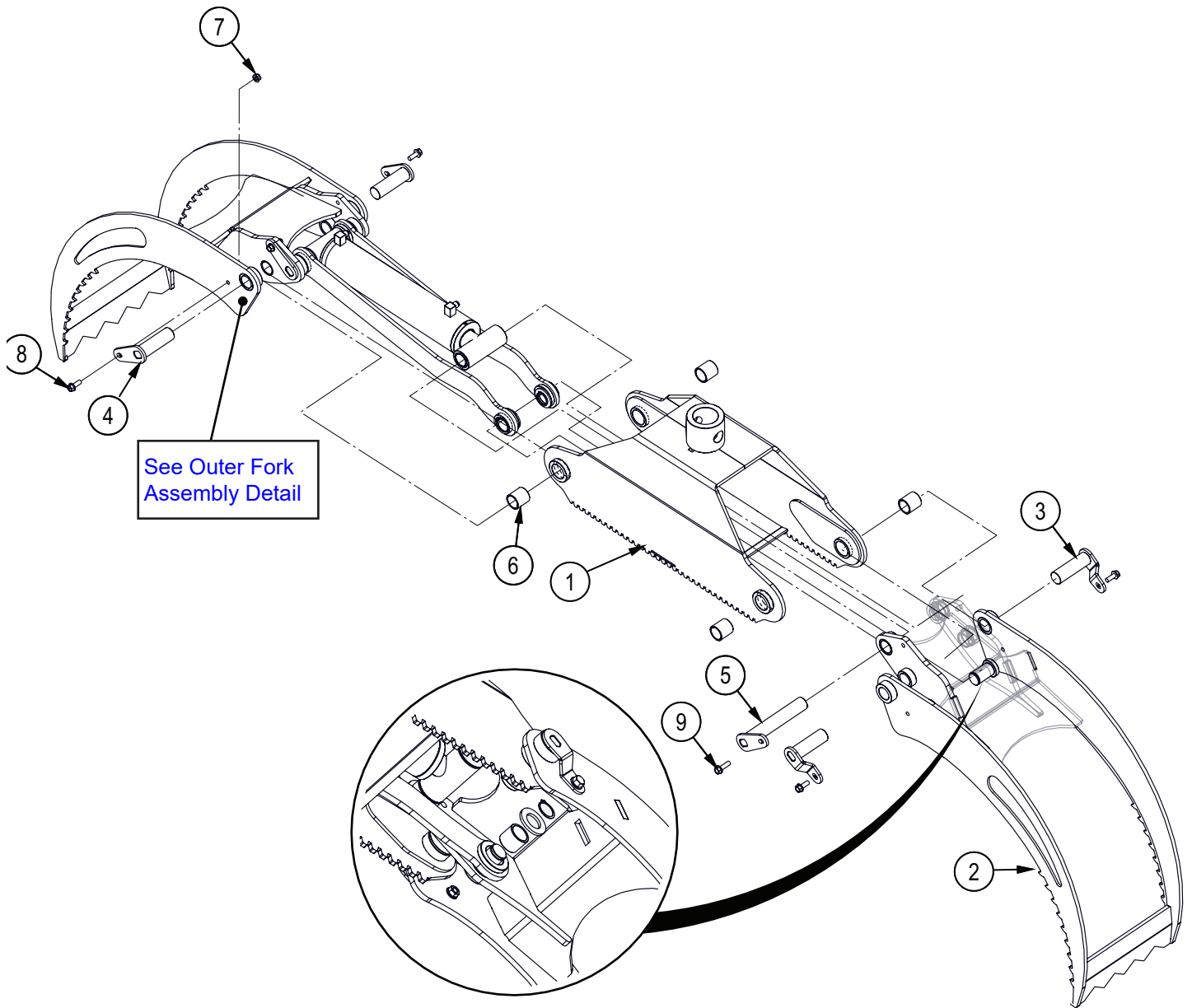


See Outer Fork Assembly Detail

Note: See Outer Fork Assembly Detail – Items 2, 7, and 8

Item No.	Part No.	Description	Qty
1	6018W501	Grapple Housing	1
2	6018W502	Inner Fork	1
3	6018W508	Inner Fork Pin	2
4	6018W509	Outer Fork Pin	2
5	6018W510	Short Cylinder Pin	1
6	Z27107	Composite Bearing, 1-1/4" ID x 1-1/2" long x 1/8" Wall	4
7	Z72531	Serrated Flange Locknut, 3/8NC	5
8	Z76134	Flange Bolt, 3/8NC x 1"	4
9	Z76137	Flange Bolt, 3/8NC x 1-1/4"	1

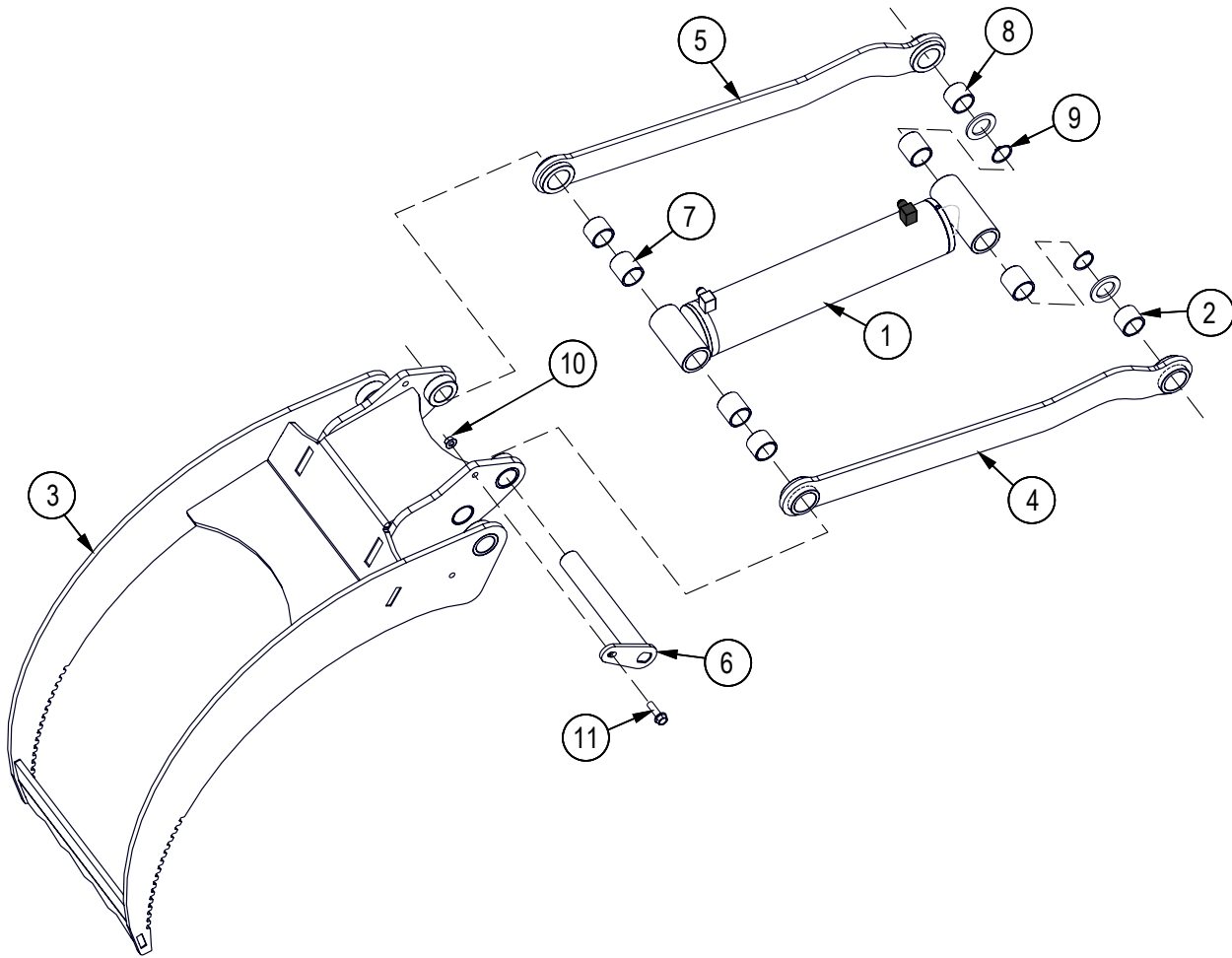
Grapple Assembly S/N 430R018 & Up



Note: See Outer Fork Assembly Detail - Items 2, 8, and 9

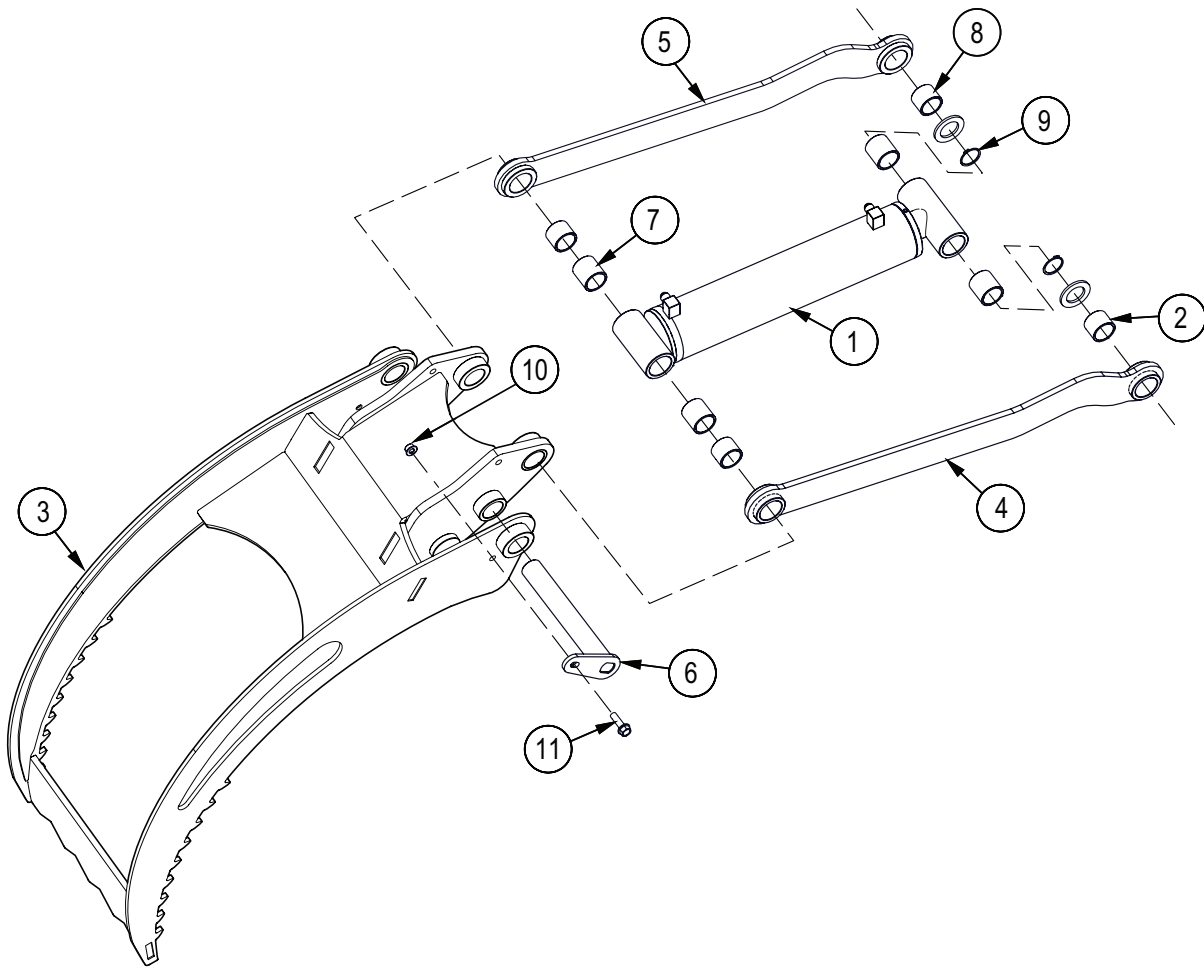
Item No.	Part No.	Description	Qty
1	6018W501	Grapple Housing	1
2	6018W517	Inner Fork	1
3	6018W508	Inner Fork Pin	2
4	6018W509	Outer Fork Pin	2
5	6018W510	Short Cylinder Pin	1
6	Z27107	Composite Bearing, 1-1/4" ID x 1-1/2" long x 1/8" Wall	4
7	Z72531	Serrated Flange Locknut, 3/8NC	5
8	Z76134	Flange Bolt, 3/8NC x 1"	4
9	Z76137	Flange Bolt, 3/8NC x 1-1/4"	1

Outer Fork Assembly Detail S/N 430R001 to 430R017



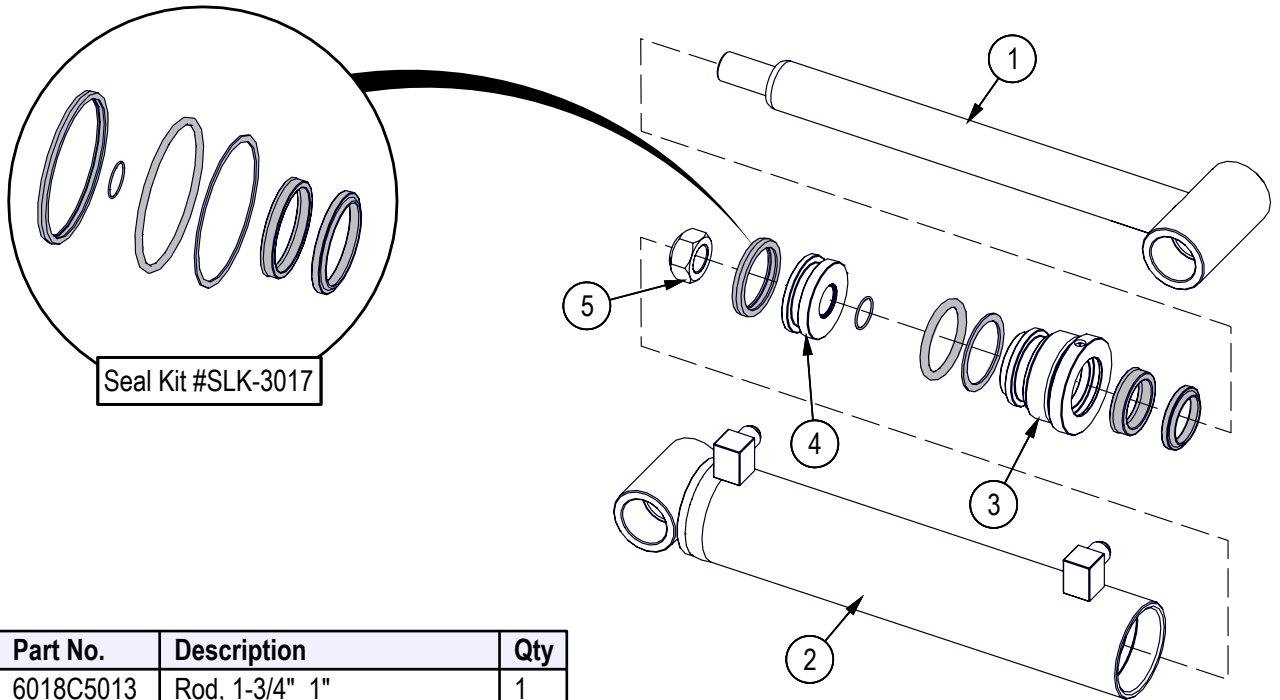
Item No.	Part No.	Description	Qty
1	6018C501	Cylinder, 3" x 1-3/4" x 12-5/8"	1
2	6018L526	Washer, Linkage Retaining	2
3	6018W503	Outer Fork	1
4	6018W504	Linkage	1
5	6018W504H	Linkage Mirror	1
6	6018W511	Long Cylinder Pin	1
7	Z27107	Composite Bearing, 1-1/4" ID x 1-1/2" long x 1/8" Wall	4
8	Z27108	Composite Bearing, 1-1/4" ID x 1-1/8" long x 1/8" Wall	4
9	Z46202	External Retaining Ring, 1-1/4"	2
10	Z72531	Serrated Flange Locknut, 3/8NC	1
11	Z76137	Flange Bolt, 3/8NC x 1-1/4"	1

Outer Fork Assembly S/N 430R018 & Up



Item No.	Part No.	Description	Qty
1	6018C501	Cylinder, 3" x 1-3/4" x 12-5/8"	1
2	6018L526	Washer, Linkage Retaining	2
3	6018W518	Outer Fork	1
4	6018W504	Linkage	1
5	6018W504H	Linkage Mirror	1
6	6018W511	Long Cylinder Pin	1
7	Z27107	Composite Bearing, 1-1/4" ID x 1-1/2" long x 1/8" Wall	4
8	Z27108	Composite Bearing, 1-1/4" ID x 1-1/8" long x 1/8" Wall	4
9	Z46202	External Retaining Ring, 1-1/4"	2
10	Z72531	Serrated Flange Locknut, 3/8NC	1
11	Z76137	Flange Bolt, 3/8NC x 1-1/4"	1

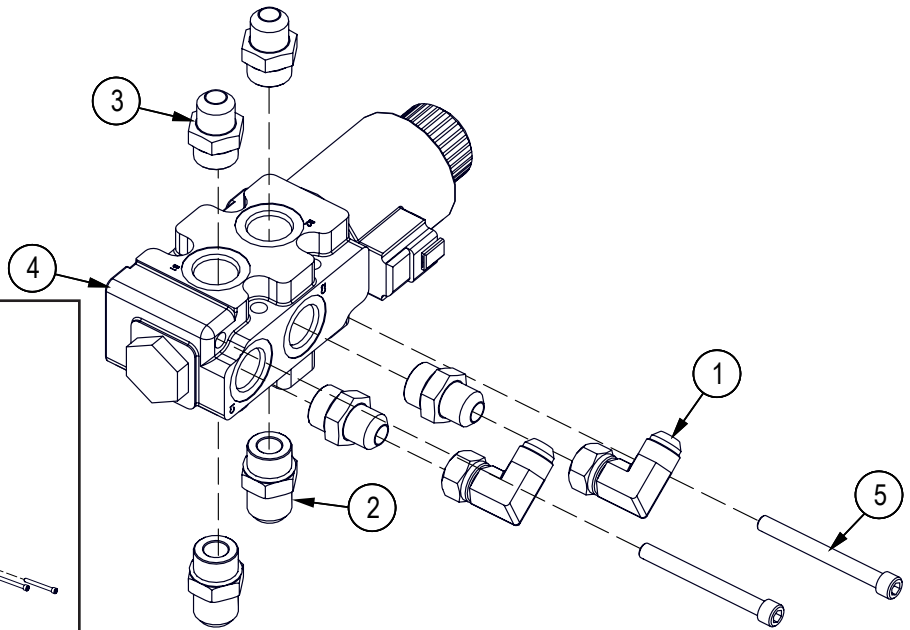
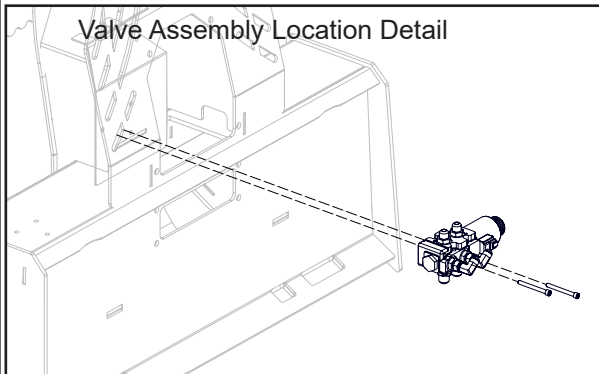
Cylinder Detail



Seal Kit #SLK-3017

Item No.	Part No.	Description	Qty
1	6018C5013	Rod, 1-3/4" 1"	1
2	6018C5014	Barrel, 3"	1
3	G300-175S	Gland, 3" x 1-3/4"	1
4	P100-300SP	Piston, 3" Bore	1
5	Z722909G8	Hex Top-lock Nut, 1-14NF G8	1

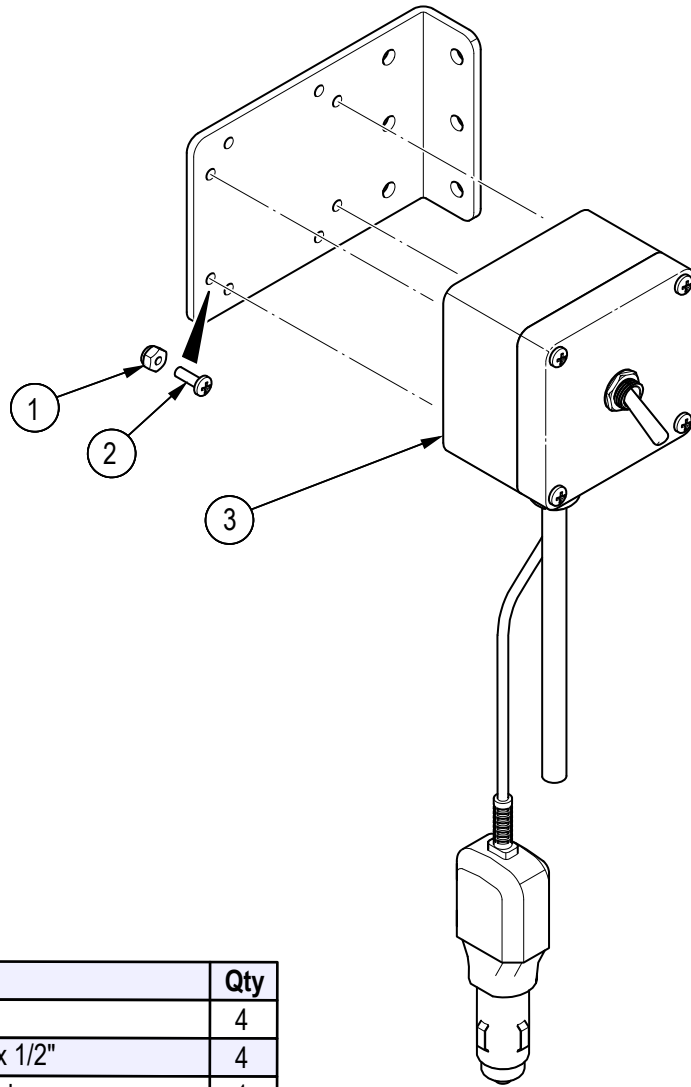
Valve Assembly Detail



ECR03428

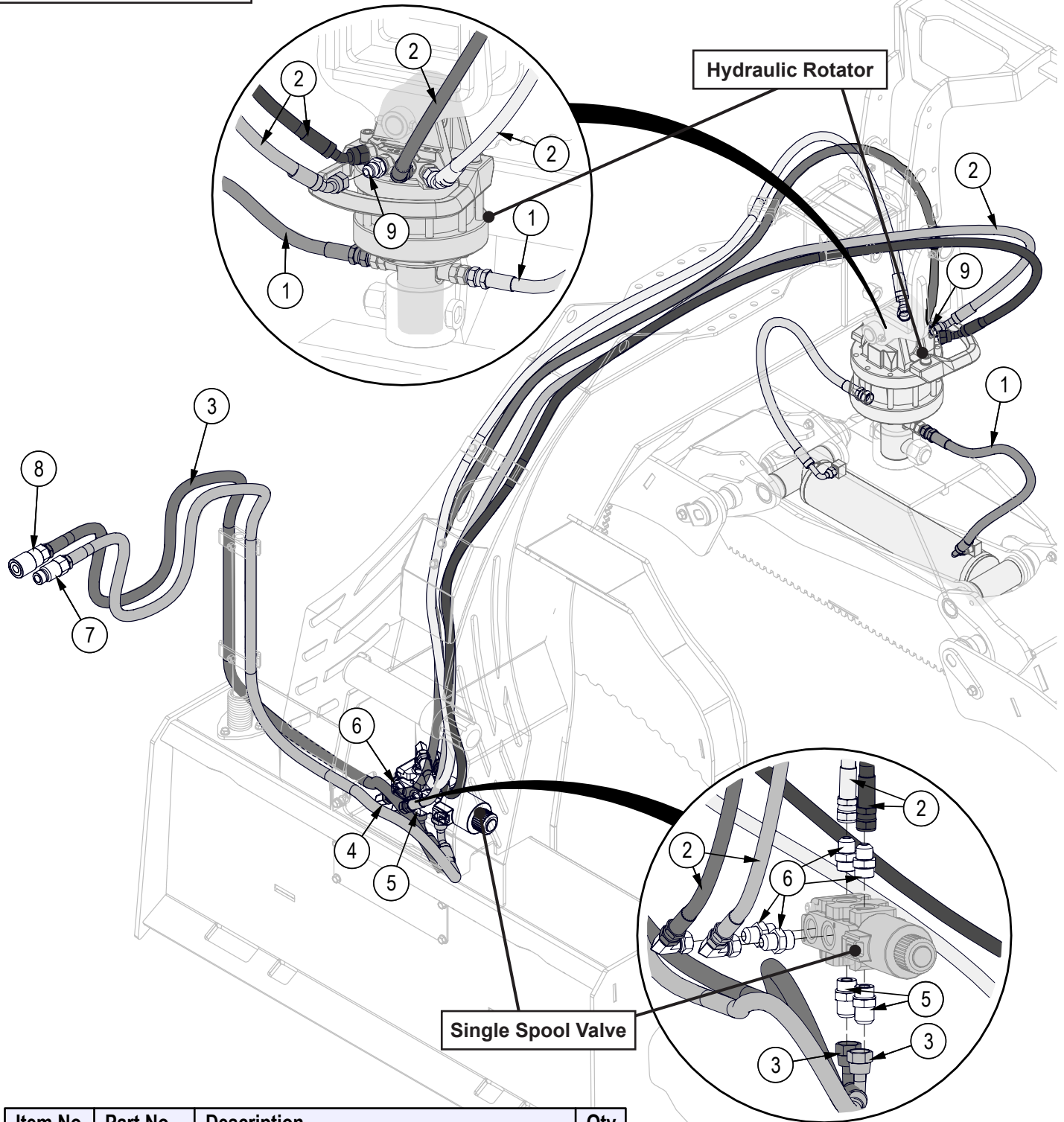
Item No.	Part No.	Description	Qty
1	Z51562	Elbow 90, MJIC x FJICX 0808	2
2	Z516413	Straight, MJIC x MORB 1010	2
3	Z51647	Straight, MJIC x MORB 0810	4
4	Z56615	Single Spool Valve, OC Selector SOL x 21GPM	1
5	Z75122	SHCS, 5/16NC x 3"	2

Selector Switch Assembly Detail



Item	Part No.	Description	Qty
1	Z72202	Hex Lock Nut, #8NC	4
2	Z78309	Machine Screw, #8NC x 1/2"	4
3	6072A205	Selector Switch Assembly	1

Hydraulic Circuit

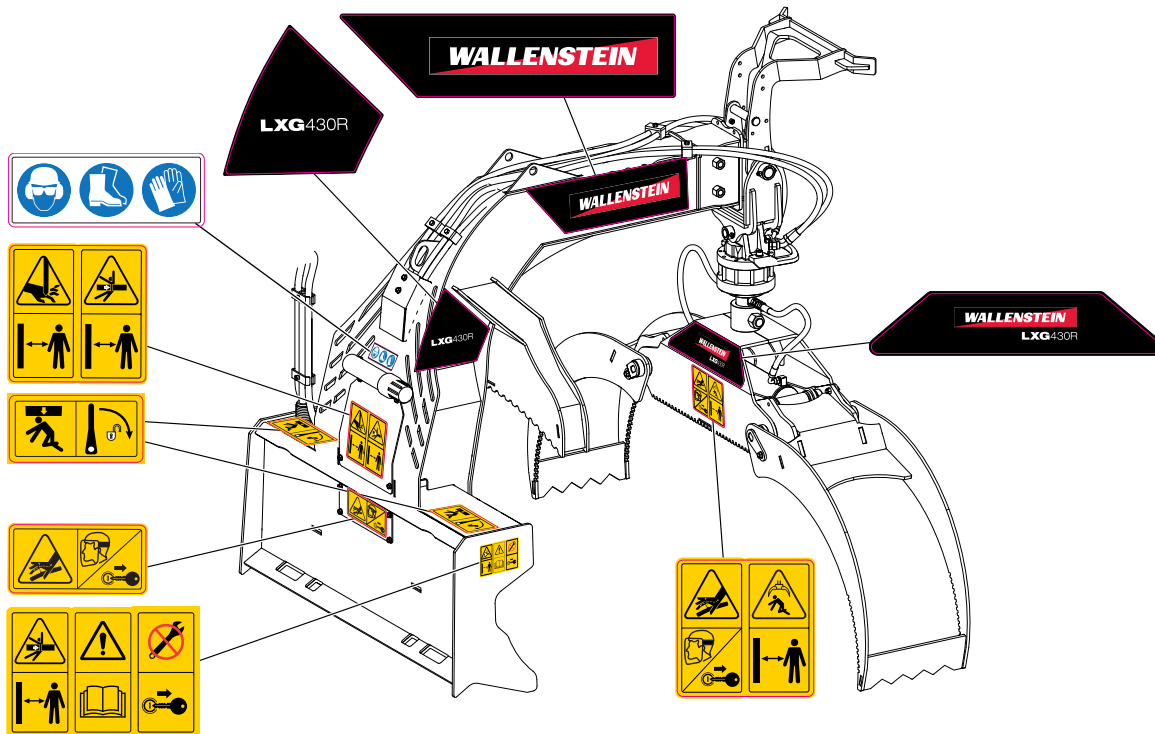
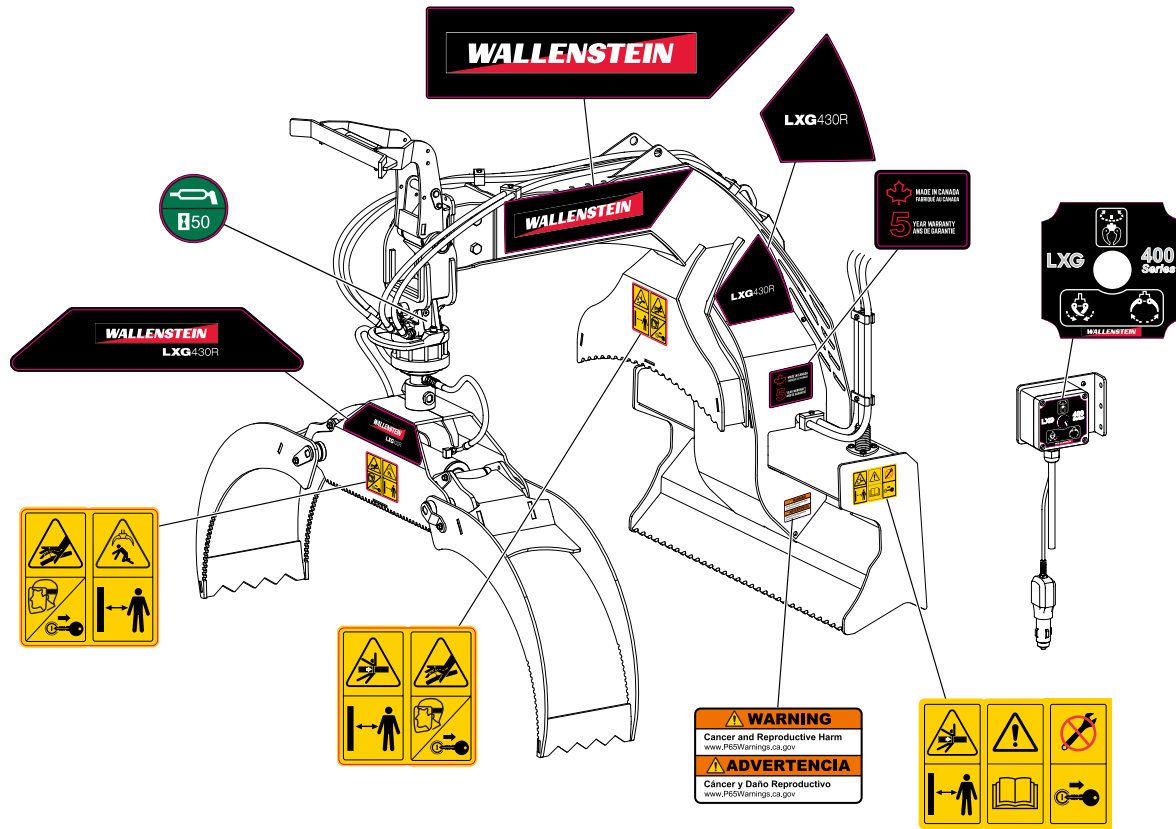


Item No.	Part No.	Description	Qty
1	6018F501	3/8" Hose, FJIC08 x 90FJIC06 x 21"	2
2	6073F501	3/8" Hose, FJIC08 x 45FJIC08 x 94"	4
3	6073F502	1/2" Hose, MP08 x 90FJIC10 x 94"	2
4	Z51562	Elbow 90, MJIC x FJICX 0808	2
5	Z516413	Straight, MJIC x MORB 1010	2
6	Z51647	Straight, MJIC x MORB 0810	4
7	Z51919	Flat-Face Coupler, FP08 x M ISO 16028	1
8	Z51920	Flat-Face Coupler, FP08 x F ISO 16028	1
9	Z51937	Straight, MJIC x MBSPP 0806 x 0.047" Orifice	1

Decal Layout

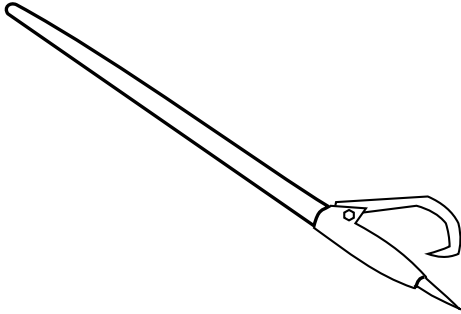
IMPORTANT! If parts are replaced that have safety signs on them, new signs must be applied. Safety signs must always be replaced if they become damaged, are removed, or become illegible.

Safety signs are included in the product decal kit available from your authorized dealer. Decals are not available separately.



Accessories

Call your dealer for pricing and availability

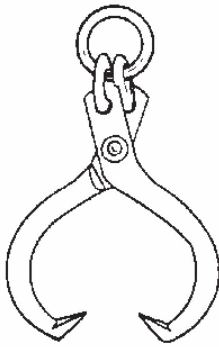


48" Log Peavey

P/N Z99001

Quality 2-3/8" diameter hardwood handle with a Western Duck Bill Hook.

Helps to move those heavy log timbers into position.



Skidding Tongs

P/N Z99003

Heavy Duty Forged Ring Skidding Tongs

Maximum Opening: 25"

Minimum Opening: 4-1/2"

Tough log skidding tongs are a quick and easy way to skid logs.


Common Bolt Torque Values

Checking Bolt Torque

The tables shown give correct torque values for various bolts and capscrews. Tighten all bolts to the torque values specified in the table, unless indicated otherwise. Check tightness of bolts periodically.

IMPORTANT! If replacing hardware, use fasteners of the same grade.

IMPORTANT! Torque figures indicated in the table are for non-greased or non-oiled threads. Do not grease or oil threads unless indicated otherwise. When using a thread locker, increase torque values by 5%.

 **NOTE:** Bolt grades are identified by their head markings.

Imperial Bolt Torque Specifications

Bolt Diameter	Torque Value					
	SAE Gr. 2		SAE Gr. 5		SAE Gr. 8	
	lbf•ft	N•m	lbf•ft	N•m	lbf•ft	N•m
1/4"	6	8	9	12	12	17
5/16"	10	13	19	25	27	36
3/8"	20	27	33	45	45	63
7/16"	30	41	53	72	75	100
1/2"	45	61	80	110	115	155
9/16"	60	95	115	155	165	220
5/8"	95	128	160	215	220	305
3/4"	165	225	290	390	400	540
7/8"	170	230	420	570	650	880
1"	225	345	630	850	970	1320



SAE Gr. 2



SAE Gr. 5



SAE Gr. 8

Metric Bolt Torque Specifications

Bolt Diameter	Torque Value			
	Gr. 8.8		Gr. 10.9	
	lbf•ft	N•m	lbf•ft	N•m
M3	0.4	0.5	1.3	1.8
M4	2.2	3	3.3	4.5
M6	7	10	11	15
M8	18	25	26	35
M10	37	50	52	70
M12	66	90	92	125
M14	83	112	116	158
M16	166	225	229	310
M20	321	435	450	610
M30	1,103	1 495	1,550	2 100



8.8



10.9

Hydraulic Fitting Torque Values

Tightening Flare Type Tube Fittings

1. Check flare and flare seat for defects that might cause leakage.
2. Align tube with fitting before tightening.
3. Hand-tighten swivel nut until snug.
4. To prevent twisting the tube, use two wrenches. Place one wrench on the connector body and tighten the swivel nut with the second. Torque to values shown.

If a torque wrench is not available, use the FFFT (Flats From Finger Tight) method.

Hydraulic Fitting Torque					
Tube Size OD	Hex Size Across Flats	Torque value		Flats From Finger Tight	
		lbf·ft	N·m	Flats	Turns
3/16	7/16	8	8	2	1/8
1/4	9/16	11–12	15–17	2	1/8
5/16	5/8	14–16	19–22	2	1/8
3/8	11/16	20–22	27–30	1-1/4	1/8
1/2	7/8	44–48	59–65	1	1/8
5/8	1	50–58	68–79	1	1/8
3/4	1-1/4	79–88	107–119	1	1/8
1	1-5/8	117–125	158–170	1	1/8

Values shown are for non-lubricated connections.