

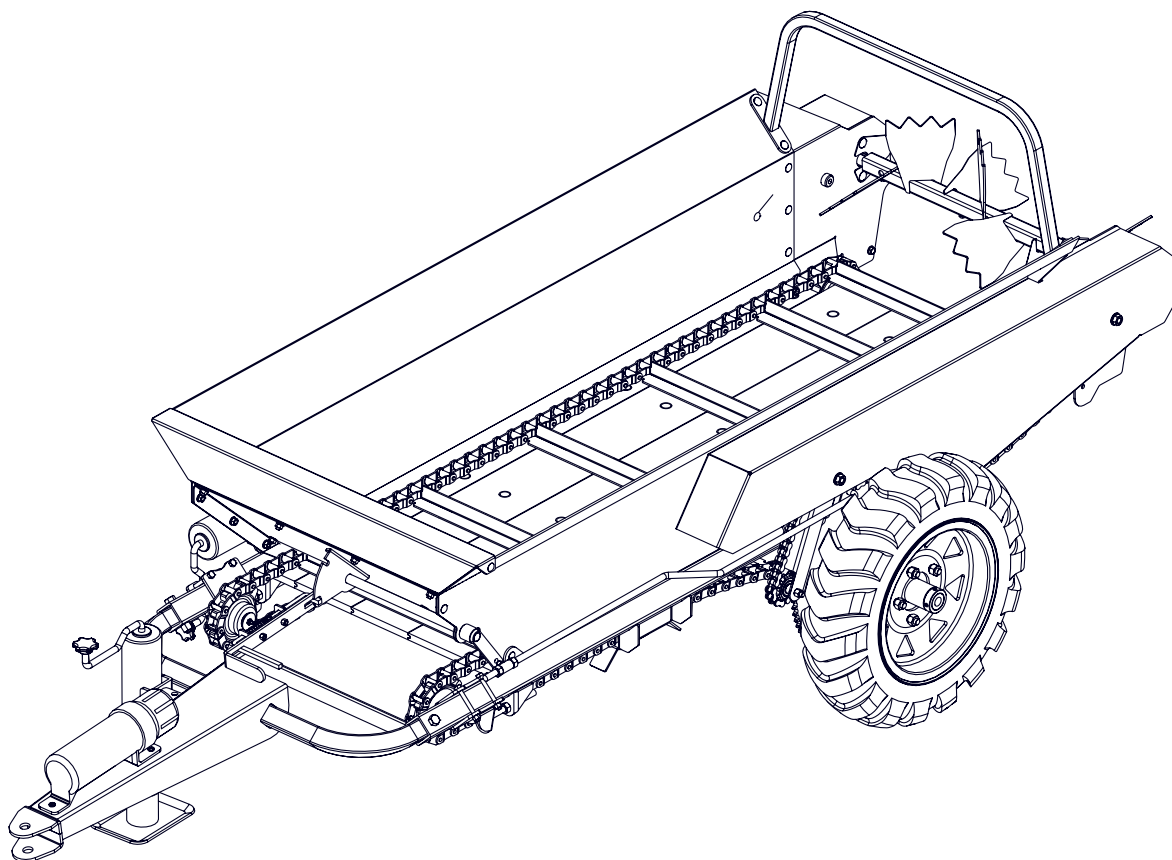


EMB Manufacturing Inc.  
4144 Boomer Line · St. Clements, On · N0B 2M0 · Canada  
Ph: (519) 699-9283 · Fax: (519) 699-4146  
[www.wallensteinequipment.com](http://www.wallensteinequipment.com)

# MX25 Manure Spreader

## Parts Manual

Starting with S/N's  
**725G271 & After**



Refer to the operators  
manual for safe  
operation and  
maintenance

## Foreword

EMB Mfg. has prepared this parts manual to assist customers in ordering quality OEM replacement parts.

Proper and regular service and replacing old, worn or broken parts with the correct OEM parts are essential to prolonging the life of your EMB product. Please refer to this manual before ordering any replacement parts.

All information contained in this parts manual is based on the latest product specification available at the time of printing this manual. If your product differs from the specifications contained within this manual contact EMB Mfg. for information.

EMB reserves the right to alter specifications on their products at any time.

Reproduction of this parts manual of any kind is prohibited without prior written permission from EMB Mfg.

For parts and information please contact your dealer. If your dealer is no longer available please go to our website: <http://www.wallensteinequipment.com> and click on "FIND A DEALER NEAR YOU" for information on a local dealer.

## Table of Contents Page

<b>Bolt Torque.....</b>	<b>4</b>
<b>Hydraulic Fitting Torque .....</b>	<b>5</b>
<b>Wheel Lug Torque .....</b>	<b>5</b>
<b>Main Parts.....</b>	<b>6</b>
<b>Main Box Frame Assembly .....</b>	<b>7</b>
<b>Apron Chain And Front Sprockets .....</b>	<b>8</b>
<b>Ground Drive Parts.....</b>	<b>9</b>
<b>Ground Drive Axle Assembly .....</b>	<b>10</b>
<b>Ground Drive Engagement .....</b>	<b>11</b>
<b>Chain Lifter Assembly.....</b>	<b>12</b>
<b>Pillow Block Detail .....</b>	<b>12</b>
<b>Apron Chain Ratchet Parts .....</b>	<b>13</b>
<b>Apron Ratchet Drive Mechanism Detail.....</b>	<b>14</b>
<b>Engagement Handle Assembly .....</b>	<b>15</b>
<b>Label Layout.....</b>	<b>16</b>
<b>Accessories.....</b>	<b>18</b>

Maintenance should be performed by  
trained personnel only.



Refer to the operators  
manual for safe  
operation and  
maintenance

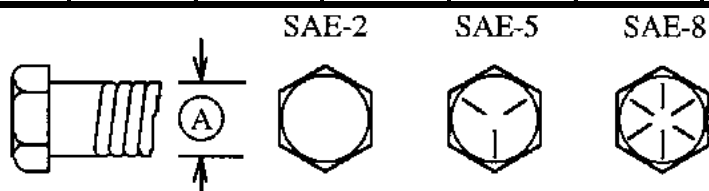
**Bolt Torque**

**CHECKING BOLT TORQUE**

The tables shown below give correct torque values for various bolts and capscrews. Tighten all bolts to the torques specified in chart unless otherwise noted. Check tightness of bolts periodically, using bolt torque chart as a guide. Replace hardware with the same strength bolt.

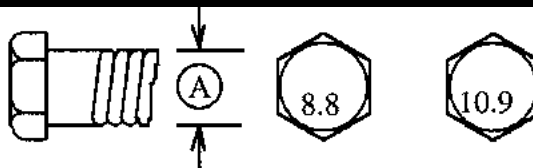
**ENGLISH TORQUE SPECIFICATIONS**

Bolt Diameter "A"	Bolt Torque*					
	SAE 2 (N.m) (lb-ft)		SAE 5 (N.m) (lb-ft)		SAE 8 (N.m) (lb-ft)	
1/4"	8	6	12	9	17	12
5/16"	13	10	25	19	36	27
3/8"	27	20	45	33	63	45
7/16"	41	30	72	53	100	75
1/2"	61	45	110	80	155	115
9/16"	95	60	155	115	220	165
5/8"	128	95	215	160	305	220
3/4"	225	165	390	290	540	400
7/8"	230	170	570	420	880	650
1"	345	225	850	630	1320	970



**METRIC TORQUE SPECIFICATIONS**

Bolt Diameter "A"	Bolt Torque*			
	8.8 (N.m) (lb-ft)		10.9 (N.m) (lb-ft)	
M3	0.5	0.4	1.8	1.3
M4	3	2.2	4.5	3.3
M5	6	4	9	7
M6	10	7	15	11
M8	25	18	35	26
M10	50	37	70	52
M12	90	66	125	92
M14	140	103	200	148
M16	225	166	310	229
M20	435	321	610	450
M24	750	553	1050	774
M30	1495	1103	2100	1550
M36	2600	1917	3675	2710



Torque figures indicated above are valid for non-greased or non-oiled threads and heads unless otherwise specified. Therefore, do not grease or oil bolts or capscrews unless otherwise specified in this manual. When using locking elements, increase torque values by 5%.

\* Torque value for bolts and capscrews are identified by their head markings.

### Hydraulic Fitting Torque

#### Tightening Flare Type Tube Fittings \*

1. Check flare and flare seat for defects that might cause leakage.
2. Align tube with fitting before tightening.
3. Lubricate connection and hand tighten swivel nut until snug.
4. To prevent twisting the tube(s), use two wrenches. Place one wrench on the connector body and with the second tighten the swivel nut to the torque shown.

Tube Size OD (in.)	Nut Size Across Flats (in.)	Torque Value*		Recommended Turns To Tighten (After Finger Tightening)	
		(N.m)	(lb-ft)	(Flats)	(Turn)
3/16	7/16	8	6	1	1/6
1/4	9/16	12	9	1	1/6
5/16	5/8	16	12	1	1/6
<b>3/8</b>	<b>11/16</b>	<b>24</b>	<b>18</b>	<b>1</b>	<b>1/6</b>
1/2	7/8	46	34	1	1/6
5/8	1	62	46	1	1/6
3/4	1-1/4	102	75	3/4	1/8
7/8	1-3/8	122	90	3/4	1/8

The torque values shown are based on lubricated connections as in reassembly.

### Wheel Lug Torque

It is extremely important safety procedure to apply and maintain proper wheel mounting torque on your trailer axle. Torque wrenches are the best method to assure the proper amount of torque is being applied to a fastener.

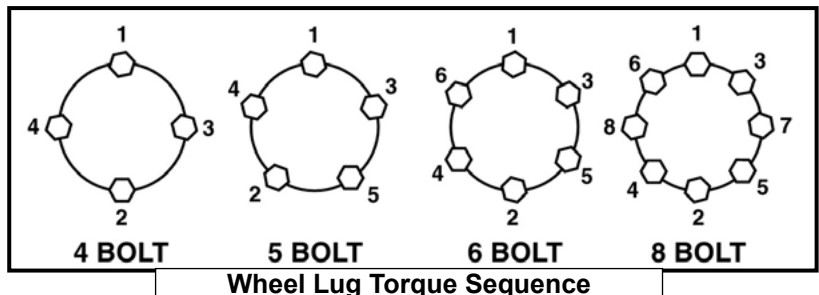
Wheel lugs should be torqued before first road use and after each wheel removal. Check and re torque after the first 16Km (10 miles), 40Km (25 miles), and again at 80Km (50 miles). Check periodically thereafter.

Note: Wheel lugs must be applied and maintained at the proper torque levels to prevent loose wheels, broken studs, and possible dangerous separation of wheels from your axle.

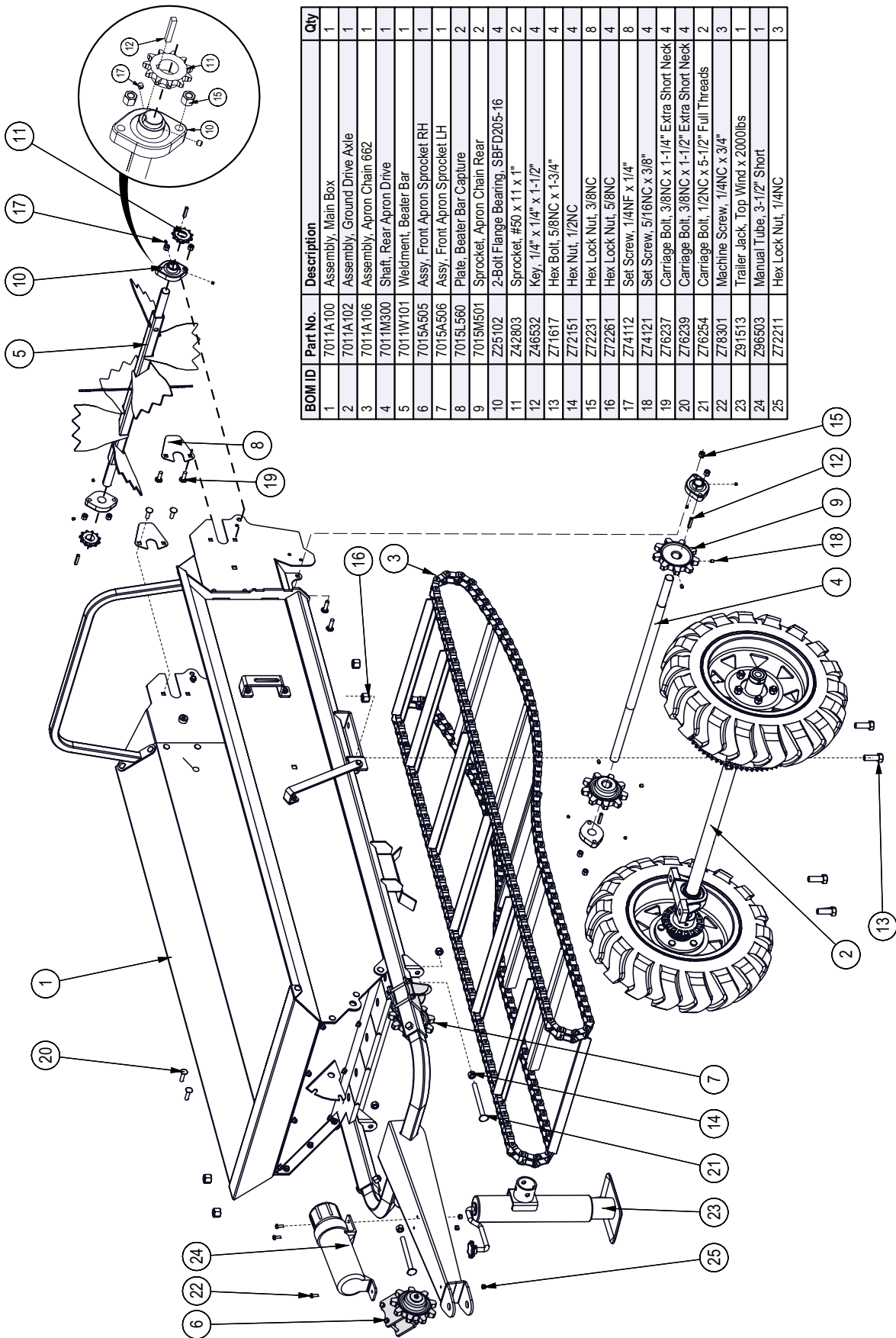
- Start all lugs by hand to prevent cross threading.
- Tighten lugs in sequence, per wheel lug torque sequence chart.
- The tightening of the fasteners should be done in stages. Following the recommended sequence, tighten fasteners per wheel torque requirements chart.

#### Wheel Torque Requirements

Wheel Size	Torque Unit	1st Stage	2nd Stage	3rd Stage
8"	ft-lbs	12 - 20	30 - 35	45 - 55
	Nm	16 - 26	39 - 45.5	58.5 - 71.5
12"	ft-lbs	20 - 25	35 - 40	50 - 60
	Nm	26 - 32.5	45.5 - 52	65 - 78
13"	ft-lbs	20 - 25	35 - 40	50 - 60
	Nm	26 - 32.5	45.5 - 52	65 - 78
14"	ft-lbs	20 - 25	50 - 60	90 - 120
	Nm	26 - 32.5	65 - 78	117 - 156
15"	ft-lbs	20 - 25	50 - 60	90 - 120
	Nm	26 - 32.5	65 - 78	117 - 156
16"	ft-lbs	20 - 25	50 - 60	90 - 120
	Nm	26 - 32.5	65 - 78	117 - 156



**Main Parts**

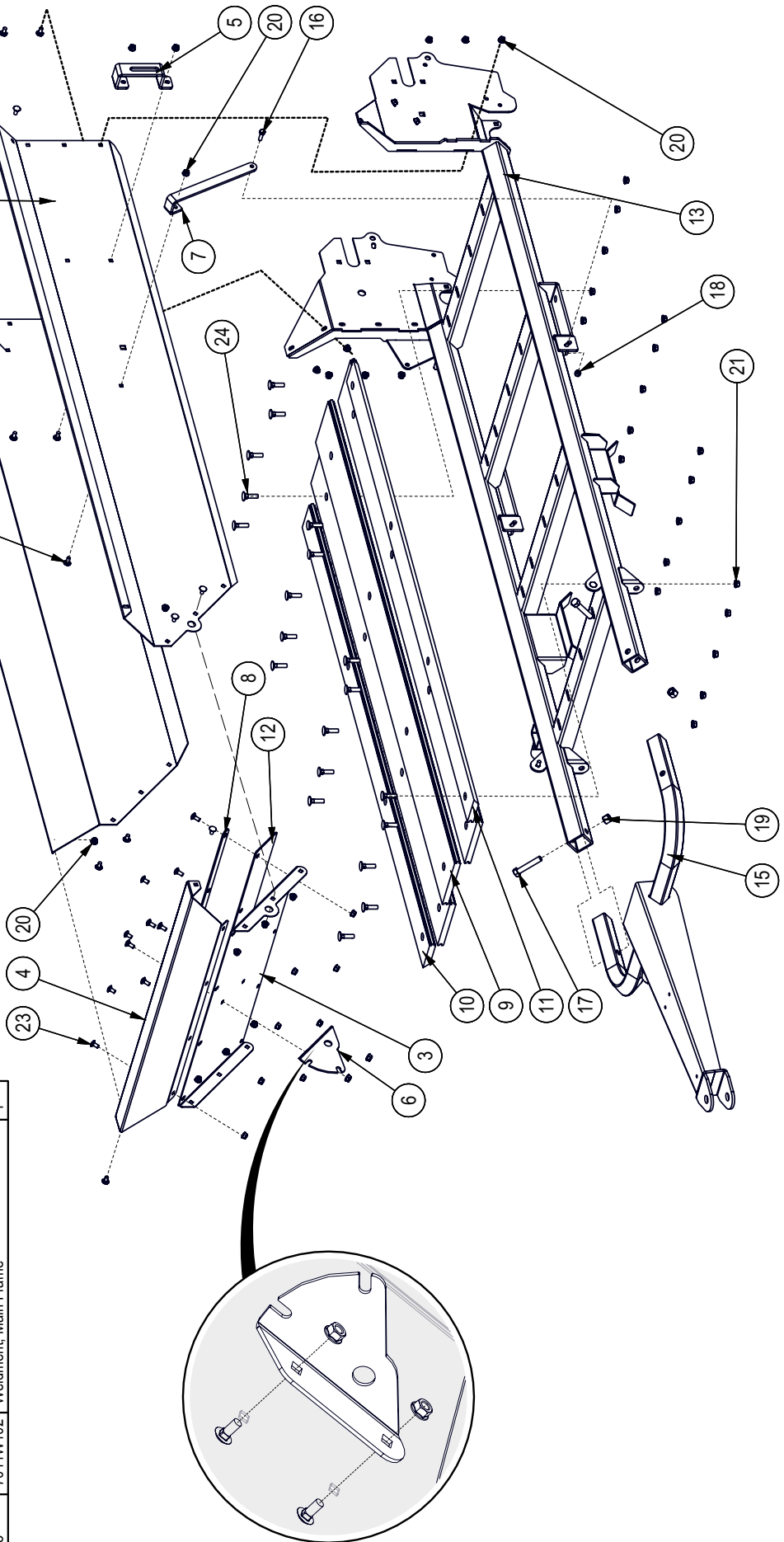


BOM ID	Part No.	Description	Qty
1	7011A100	Assembly, Main Box	1
2	7011A102	Assembly, Ground Drive Axle	1
3	7011A106	Assembly, Apron Chain 662	1
4	7011M300	Shaft, Rear Apron Drive	1
5	7011W101	Weldment, Beater Bar	1
6	7015A505	Assy, Front Apron Sprocket RH	1
7	7015A506	Assy, Front Apron Sprocket LH	1
8	7015L560	Plate, Beater Bar Capture	2
9	7015M501	Sprocket, Apron Chain Rear	2
10	Z25102	2-Bolt Flange Bearing, SBFD205-16	4
11	Z42803	Sprocket, #50 x 11 x 1"	2
12	Z46532	Key, 1/4" x 1/4" x 1-1/2"	4
13	Z71617	Hex Bolt, 5/8NC x 1-3/4"	4
14	Z72151	Hex Nut, 1/2NC	4
15	Z72231	Hex Lock Nut, 3/8NC	8
16	Z72261	Hex Lock Nut, 5/8NC	4
17	Z74112	Set Screw, 1/4NF x 1/4"	8
18	Z74121	Set Screw, 5/16NC x 3/8"	4
19	Z76237	Carriage Bolt, 3/8NC x 1-1/4" Extra Short Neck	4
20	Z76239	Carriage Bolt, 3/8NC x 1-1/2" Extra Short Neck	4
21	Z76254	Carriage Bolt, 1/2NC x 5-1/2" Full Threads	2
22	Z718301	Machine Screw, 1/4NC x 3/4"	3
23	Z91513	Trailer Jack, Top Wind x 2000lbs	1
24	Z96503	Manual Tube, 3-1/2" Short	1
25	Z72211	Hex Lock Nut, 1/4NC	3

**Main Box Frame Assembly**

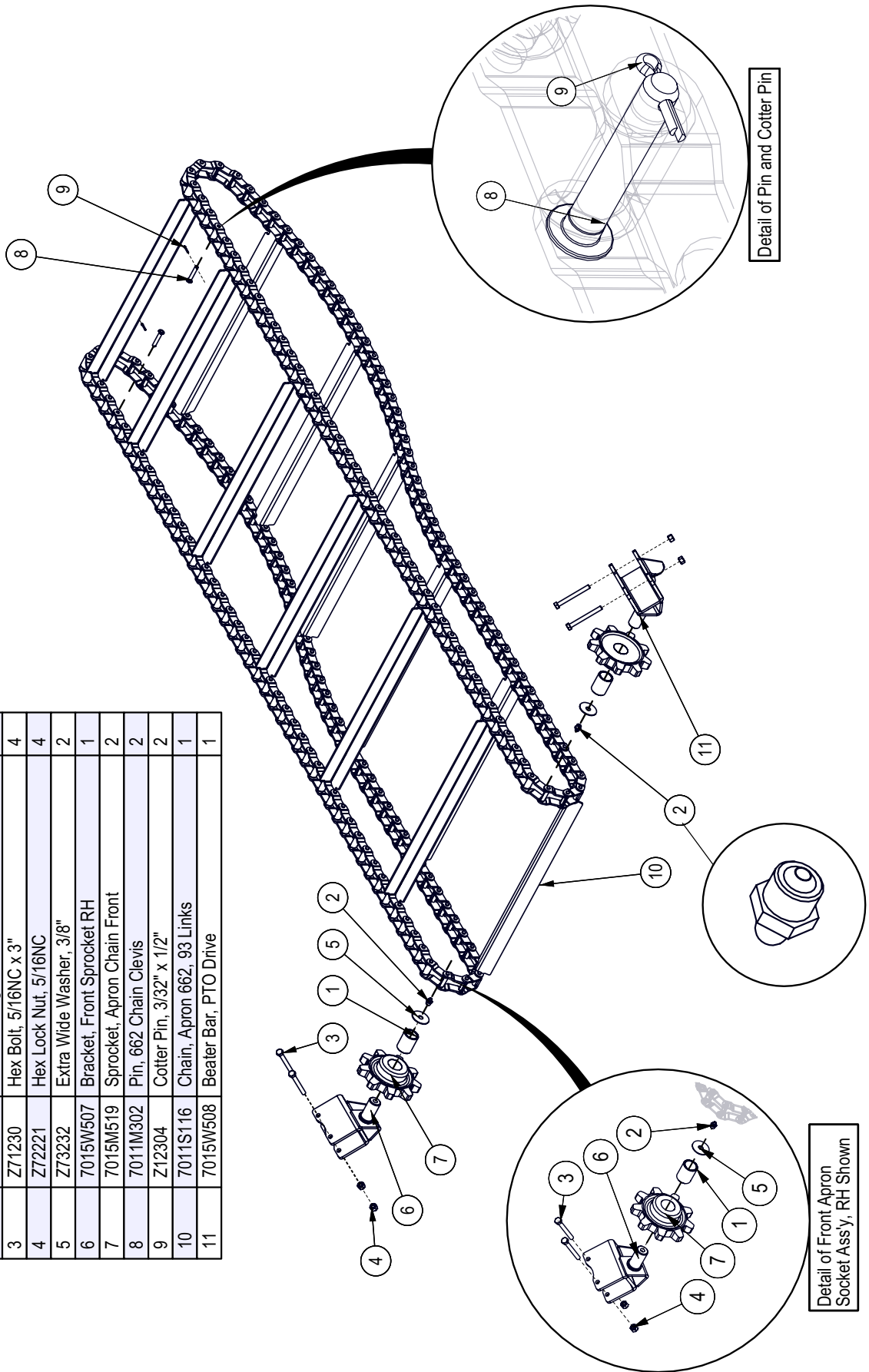
BOM ID	Part No.	Description	Qty
1	7011L101	Side, RH Box	1
2	7011L102	Side, LH Box	1
3	7011L105	Front, Box	1
4	7011L106	Rim, Front	1
5	7011L117	Mount, Tensioner, Bearing	1
6	7011L141	Base, Ground Drive Engage	1
7	7011L149	Guide, Chain Lifter	1
8	7011L161	Clamp, Floor Seal	1
9	7011S105	Floorboard, Full	3
10	7011S106	Floorboard, RH	1
11	7011S107	Floorboard, LH	1
12	7011S113	Floor Seal	1
13	7011W102	Weldment, Main Frame	1

BOM ID	Part No.	Description	Qty
14	7011W106	Stiffener, Frame	1
15	7011W107	Frame, Hitch	1
16	Z71210	Hex Bolt, 5/16NC x 1"	1
17	Z71527	Hex Bolt, 1/2NC x 2-3/4"	2
18	Z72221	Hex Lock Nut, 5/16NC	1
19	Z72251	Hex Lock Nut, 1/2NC	2
20	Z72521	Serrated Flange Locknut, 5/16NC	29
21	Z72531	Serrated Flange Locknut, 3/8NC	22
22	Z76221	Carriage Bolt, 5/16NC x 3/4"	21
23	Z76226	Carriage Bolt, 5/16NC x 5/8" Extra Short Neck	10
24	Z76631	Plow Bolt, 3/8NC x 1-1/2"	20



**Apron Chain And Front Sprockets**

BOM ID	Part No.	Description	Qty
1	Z26301	Bronze Bushing, 1" ID x 1-1/4" OD x 1-5/8" Long	2
2	Z29201	Grease Fitting, MP02	2
3	Z71230	Hex Bolt, 5/16NC x 3"	4
4	Z72221	Hex Lock Nut, 5/16NC	4
5	Z73232	Extra Wide Washer, 3/8"	2
6	7015W507	Bracket, Front Sprocket RH	1
7	7015M519	Sprocket, Apron Chain Front	2
8	7011M302	Pin, 662 Chain Clevis	2
9	Z12304	Cotter Pin, 3/32" x 1/2"	2
10	7011S116	Chain, Apron 662, 93 Links	1
11	7015W508	Beater Bar, PTO Drive	1

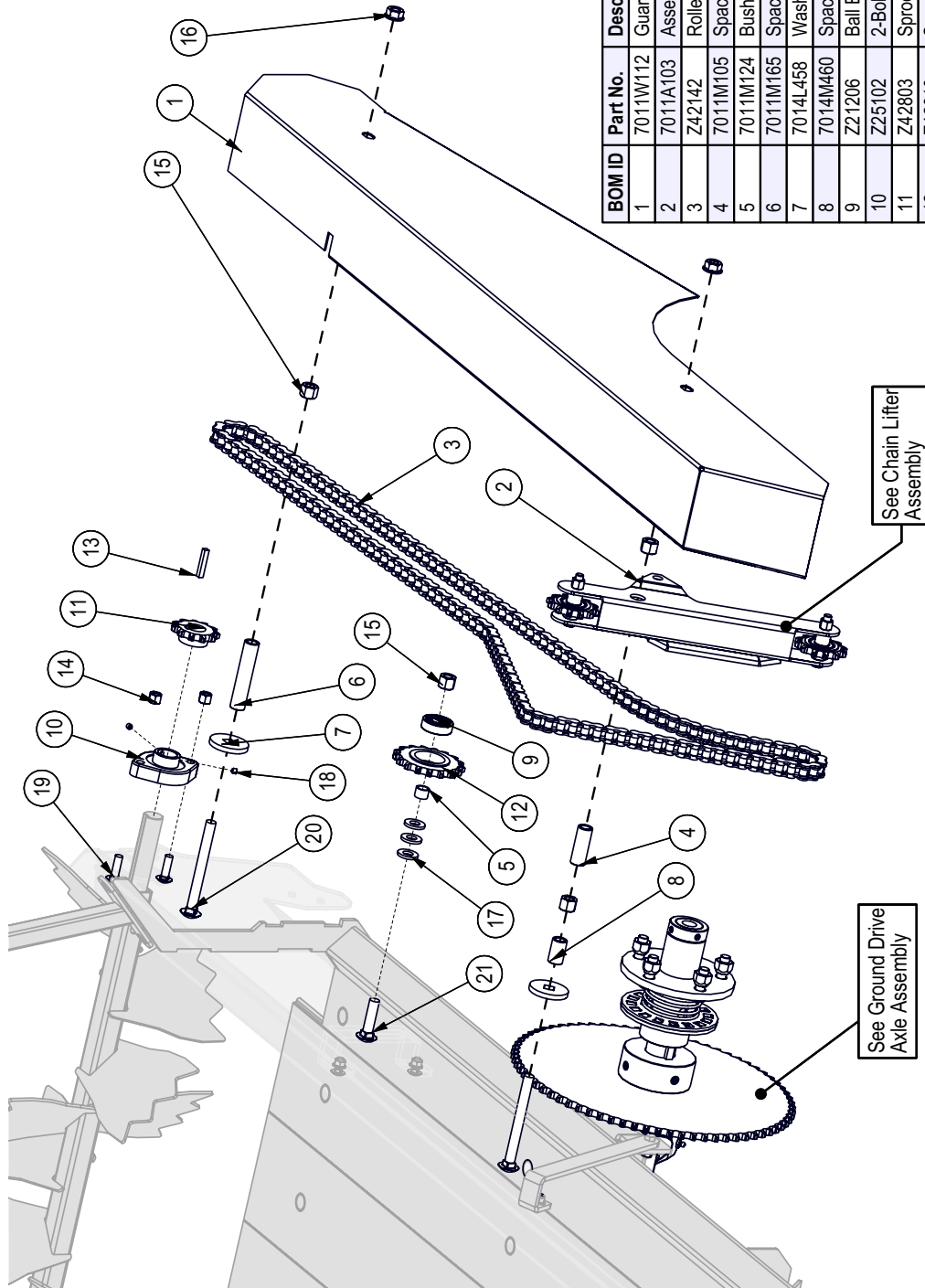


Detail of Pin and Cotter Pin

Detail of Front Apron Socket Assy, RH Shown

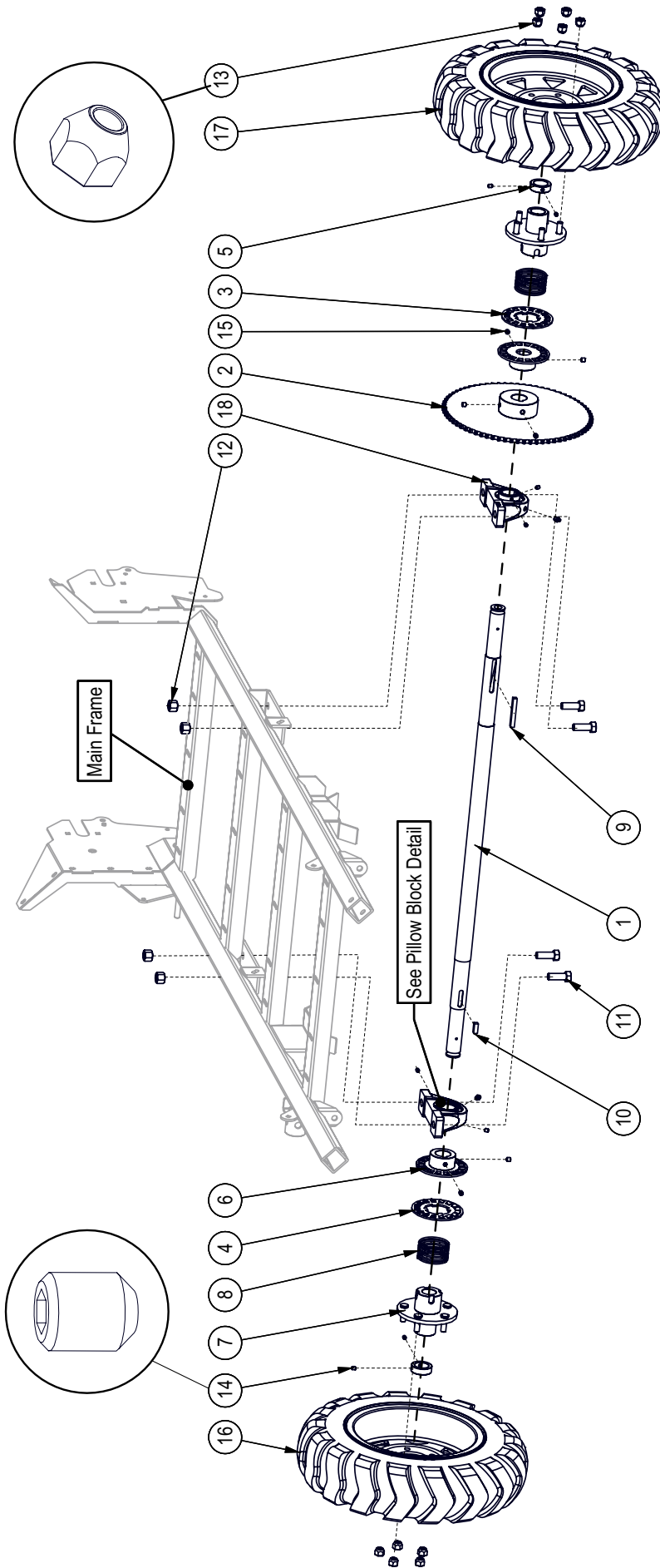


**Ground Drive Parts**



BOM ID	Part No.	Description	Qty
1	7011M112	Guard, Ground Drive	1
2	7011A103	Assembly, Chain Lifter	1
3	Z42142	Roller Chain, #50 x 80	1
4	7011M105	Spacer, 2"	1
5	7011M124	Bushing, Sprocket Bearing	1
6	7011M165	Spacer, Rear Shield	1
7	7014L458	Washer, Square Head	2
8	7014M460	Spacer, 1-1/4"	1
9	Z21206	Ball Bearing, 6203-2RS	1
10	Z25102	2-Bolt Flange Bearing, SBF205-16	1
11	Z42803	Sprocket, #50 x 11 x 1"	1
12	Z42810	Sprocket, #50 x 17 x 1.575"	1
13	Z46532	Key, 1/4" x 1/4" x 1-1/2"	1
14	Z72231	Hex Lock Nut, 3/8NC	2
15	Z72251	Hex Lock Nut, 1/2NC	4
16	Z72551	Serrated Flange Locknut, 1/2NC	2
17	Z73151	SAE Washer, 1/2"	3
18	Z74112	Set Screw, 1/4NF x 1/4"	2
19	Z76237	Carriage Bolt, 3/8NC x 1-1/4" Extra Short Neck	2
20	Z76253	Carriage Bolt, 1/2NC x 5" Full Threads	2
21	Z76255	Carriage Bolt, 1/2NC x 2"	1

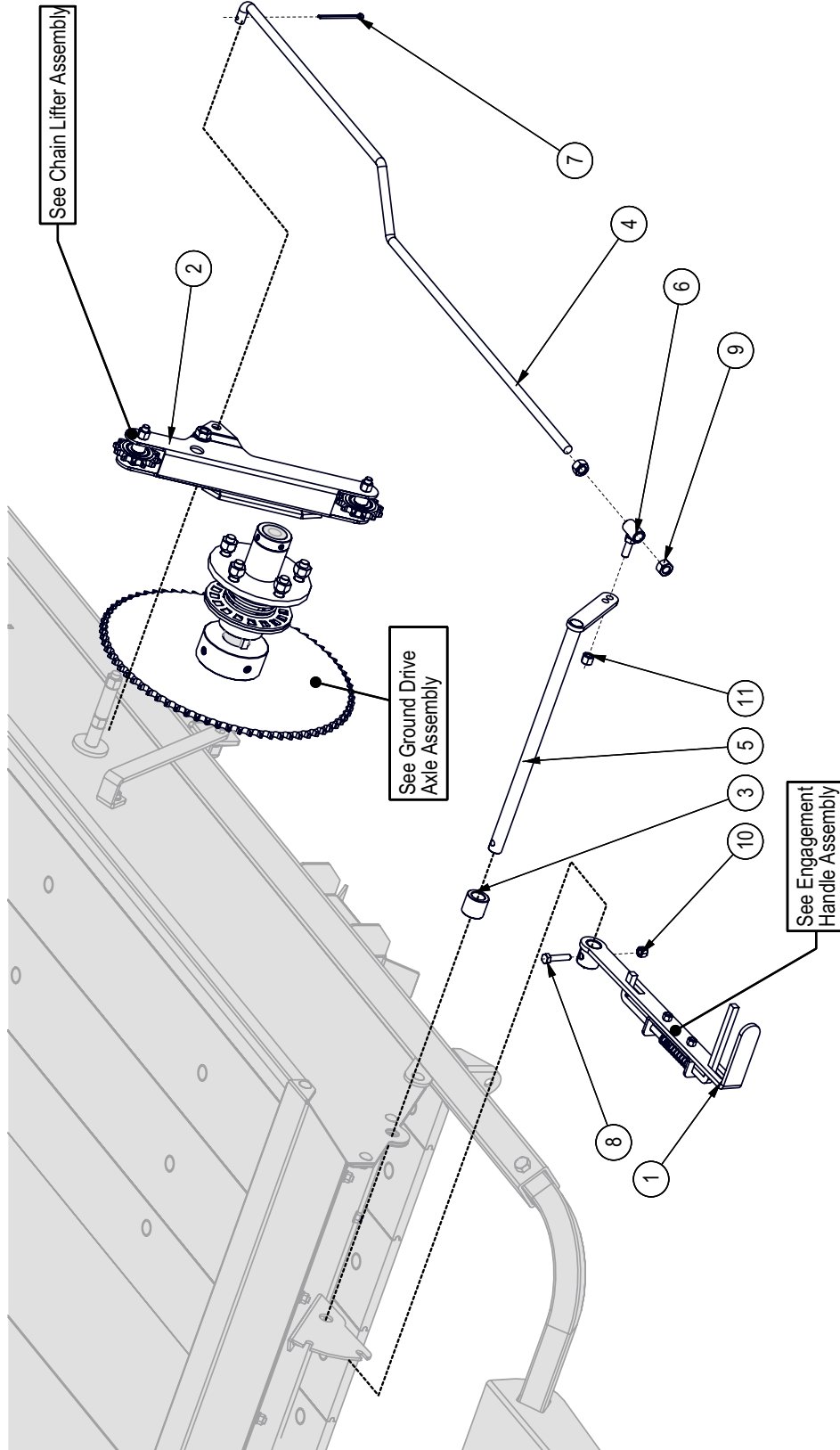
**Ground Drive Axle Assembly**



BOM ID	Part No.	Description	Qty
11	Z71617	Hex Bolt, 5/8NC x 1-3/4"	4
12	Z72261	Hex Lock Nut, 5/8NC	4
13	Z72931	Lug Nut, 1/2NF	10
14	Z74121	Set Screw, 5/16NC x 3/8"	4
15	Z74131	Set Screw, 3/8NC x 3/8"	6
16	Z91324	5.7-12 (TL) 4PR Trac Chief 5on4-1/2" RH	1
17	Z91325	5.7-12 (TL) 4PR Trac Chief 5on4-1/2" LH	1
18	Z24101	Pillow Block, UCP208-24	2

BOM ID	Part No.	Description	Qty
1	7011M117	Shaft, Main Ground Drive	1
2	7011W103	Main Drive Sprocket	1
3	7014L452	Driver, GD Ratchet LH	1
4	7014L468	Driver, GD Ratchet RH	1
5	7014M456	Collar, Wheel Stop	2
6	7014W454	Receiver, GD Ratchet	2
7	7014W460	Hub, 5-Bolt Ground Drive	2
8	Z32402	Comp Spring, 3" OD x 4-1/2" x 0.145"	2
9	Z465502	Key, 3/8" x 3/8" x 3"	1
10	Z46553	Key, 3/8" x 3/8" x 1"	1

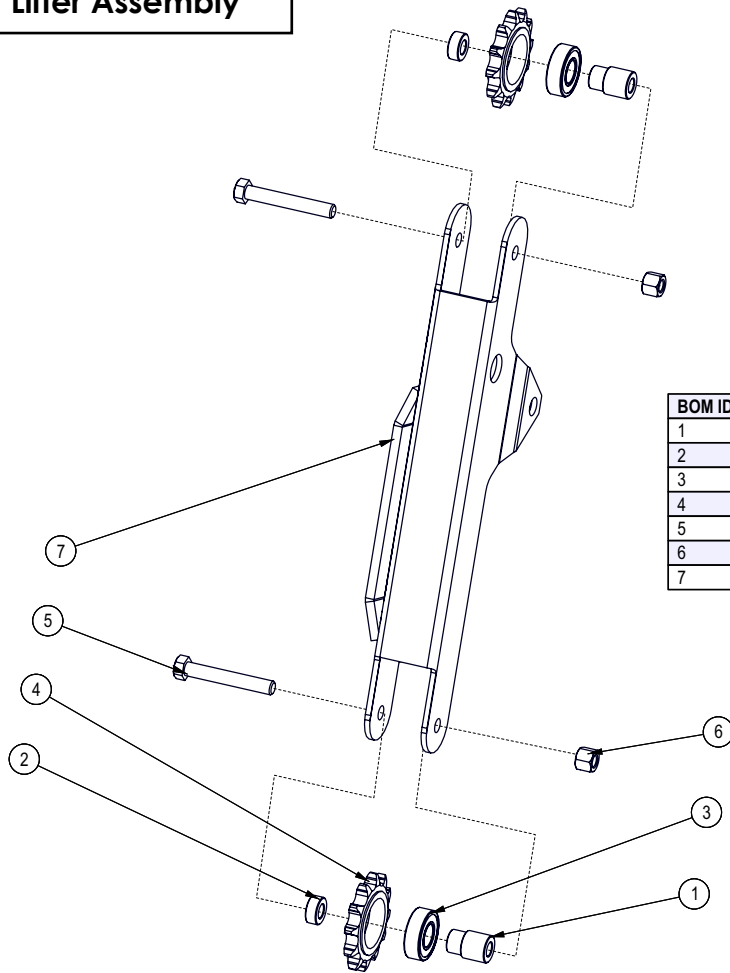
**Ground Drive Engagement**



BOM ID	Part No.	Description	Qty
7	Z12323	Cotter Pin, 3/16" x 2-1/2"	1
8	Z71215	Hex Bolt, 5/16NC x 1-1/2"	1
9	Z72151	Hex Nut, 1/2NC	2
10	Z72221	Hex Lock Nut, 5/16NC	1
11	Z72231	Hex Lock Nut, 3/8NC	1

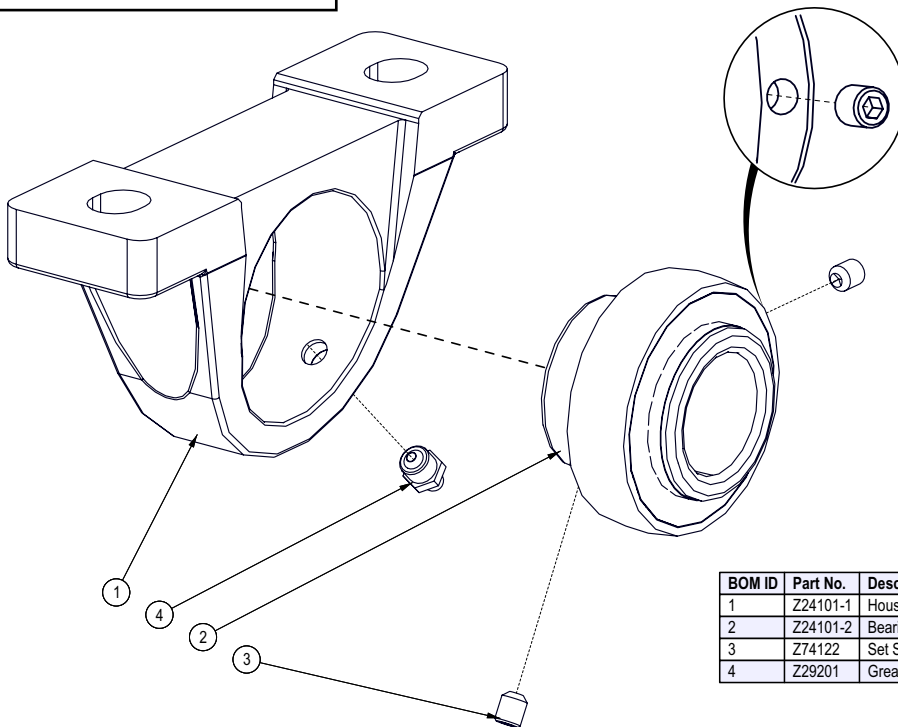
BOM ID	Part No.	Description	Qty
1	7011A101	Assy, Engagement Handle	1
2	7011A103	Assy, Chain Lifter	1
3	7011M159	Engaging Shaft Spacer	1
4	7011S114	Rod, Connecting	1
5	7011W105	Rod, Drive Engagement	1
6	7014W458	Joint, Engagement Linkage	1

**Chain Lifter Assembly**



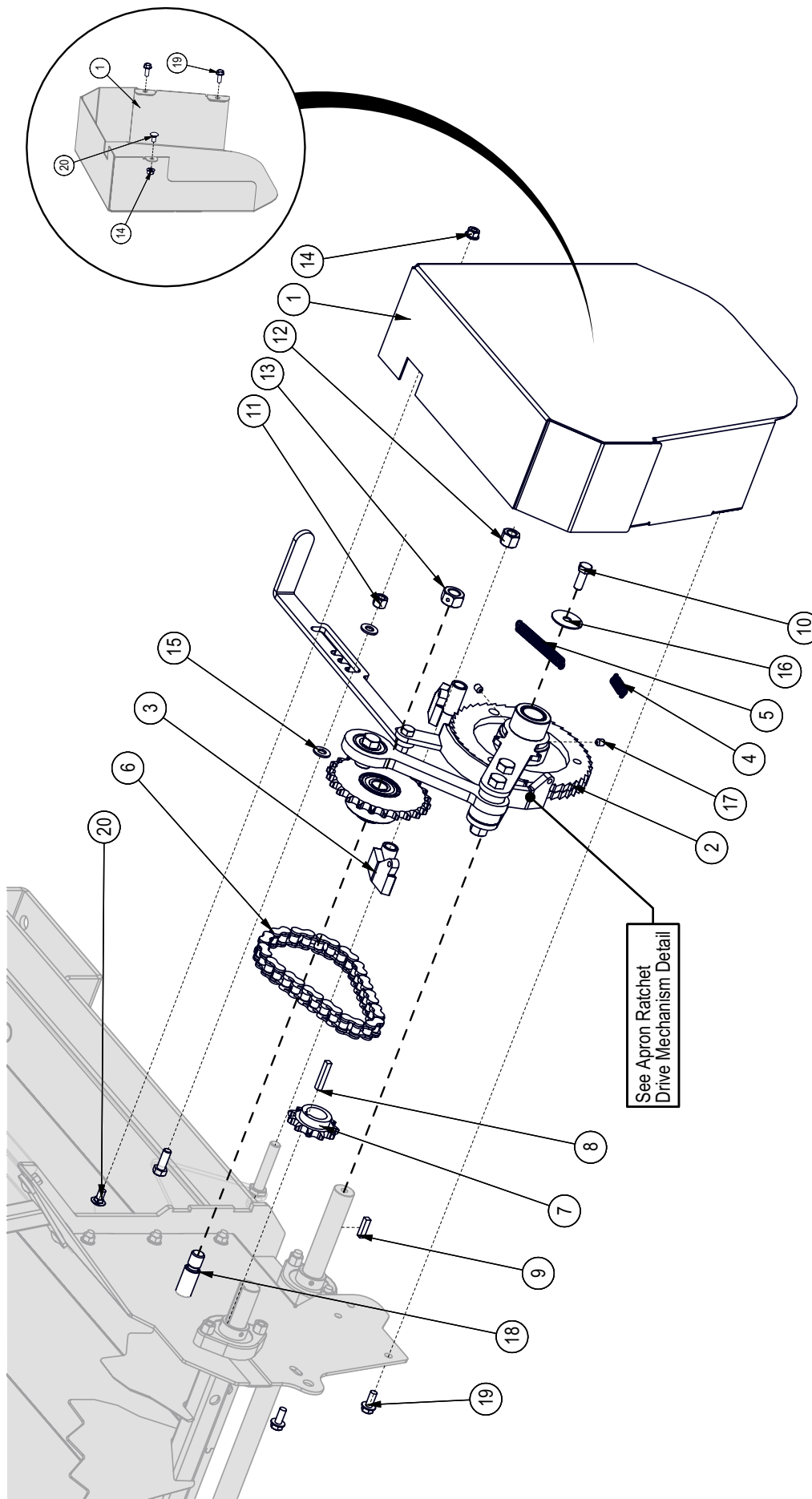
BOM ID	Part No.	Description	Qty
1	7011M122	Hub, Sprocket Bearing	2
2	7011M160	Spacer	2
3	Z21207	Ball Bearing, 99502HS	2
4	Z42809	Sprocket, #50 x 12 x 1-3/8"	2
5	Z71325	Hex Bolt, 3/8NC x 2-1/2"	2
6	Z72231	Hex Lock Nut, 3/8NC	2
7	7011W111	Lifter, Chain	1

**Pillow Block Detail**



BOM ID	Part No.	Description	Qty
1	Z24101-1	Housing, P208 for Z24101	1
2	Z24101-2	Bearing Insert, UC208-24 for Z24101	1
3	Z74122	Set Screw, 5/16NF x 3/8"	2
4	Z29201	Grease Fitting, MP02	1

**Apron Chain Ratchet Parts**

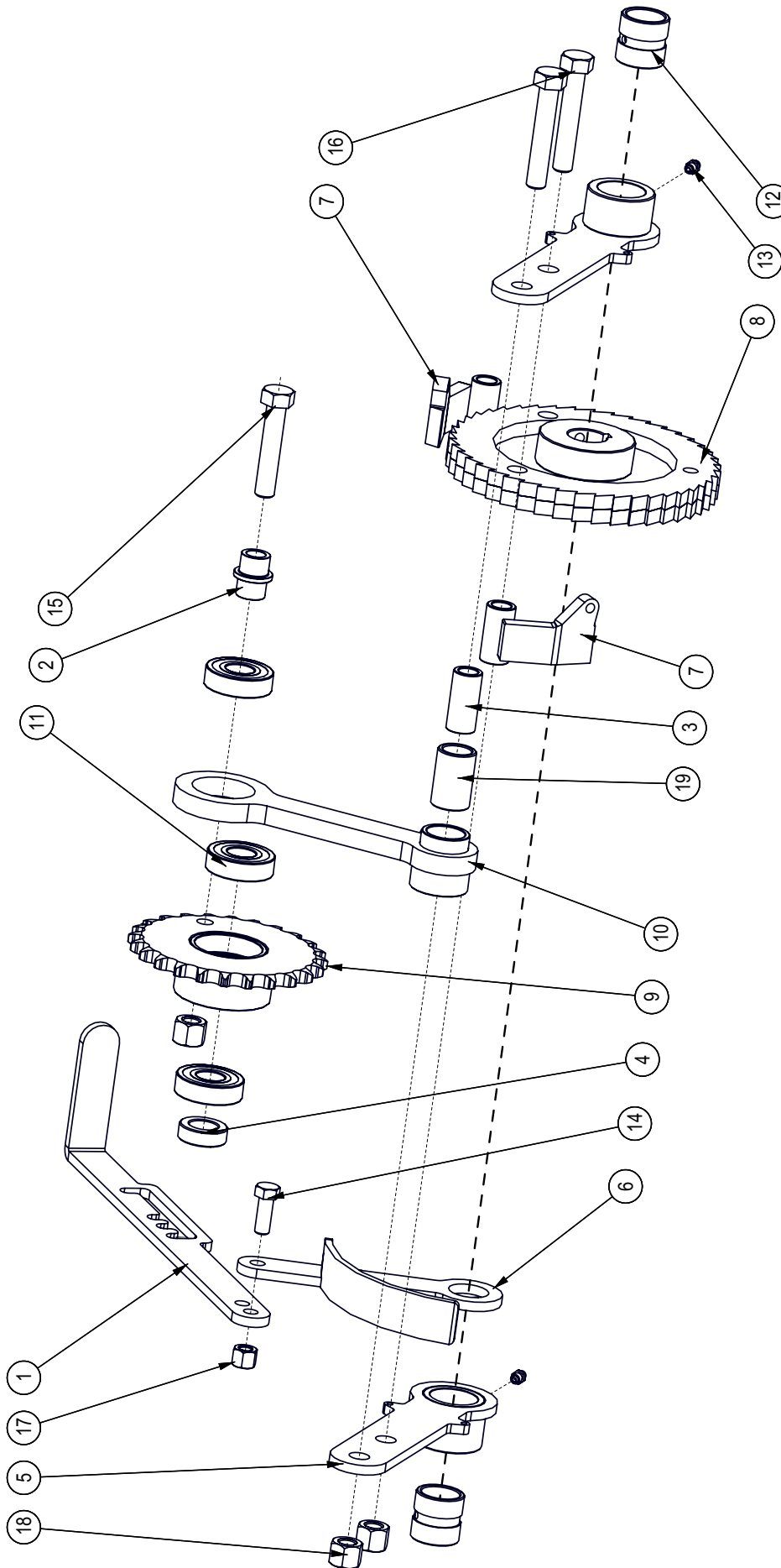


BOM ID	Part No.	Description	Qty
1	7011W110	Ratchet Shield	1
2	7015A507	Apron Ratchet Drive Mechanism	1
3	7015W512	Dog, Ratchet	1
4	Z31303	Ext Spring, 1/2" OD x 1-1/4" x 0.063"	1
5	Z31304	Ext Spring, 1/2" OD x 2-1/2" x .063"	1
6	Z42143	Roller Chain, #50 x 16	1
7	Z42803	Sprocket, #50 x 11 x 1"	1

BOM ID	Part No.	Description	Qty
8	Z46532	Key, 1/4" x 1/4" x 1-1/2"	1
9	Z46533	Key, 1/4" x 1/4" x 1"	1
10	Z71310	Hex Bolt, 3/8NC x 1"	2
11	Z72231	Hex Lock Nut, 3/8NC	1
12	Z72251	Hex Lock Nut, 1/2NC	1
13	Z72263	Hex CTR-lock Nut, 5/8NC	1
14	Z72521	Serrated Flange Locknut, 5/16NC	1

BOM ID	Part No.	Description	Qty
15	Z73131	SAE Washer, 3/8"	2
16	Z73232	Extra Wide Washer, 3/8"	1
17	Z74121	Set Screw, 5/16NC x 3/8"	2
18	Z75571	Shoulder Bolt, 3/4" x 1-1/2"	1
19	Z76121	Flange Bolt, 5/16NC x 3/4"	2
20	Z76222	Carriage Bolt, 5/16NC x 5/8"	1

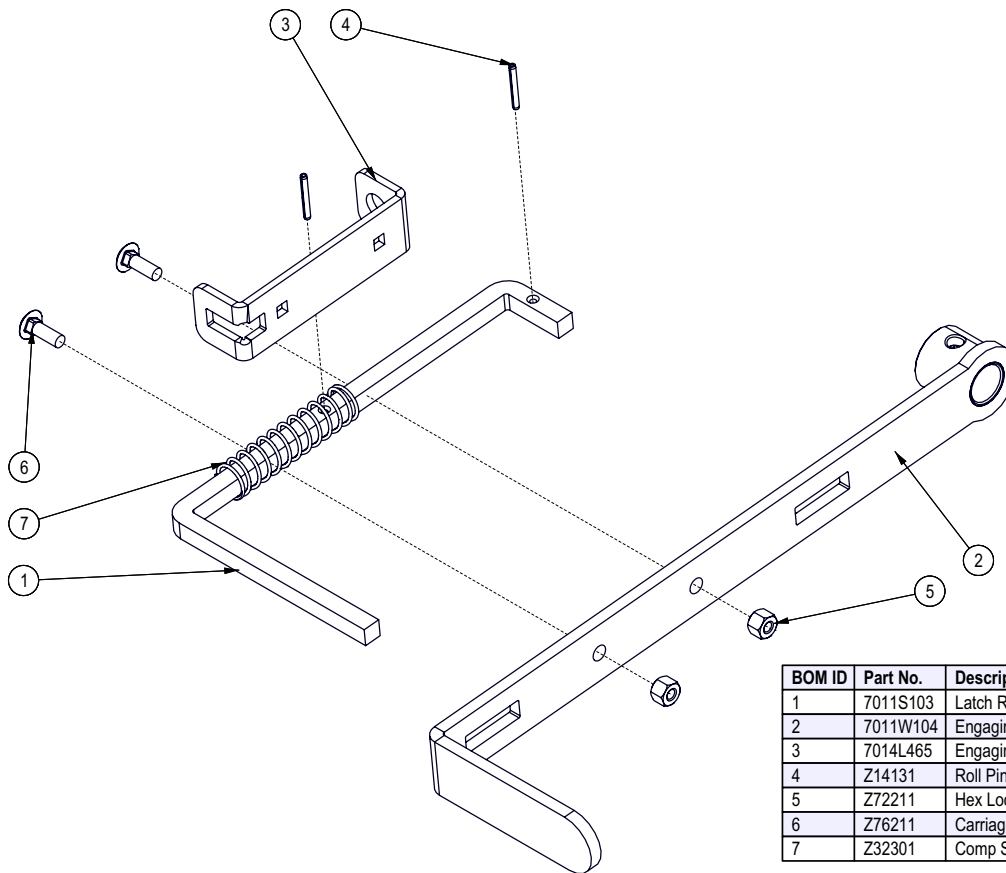
**Apron Ratchet Drive Mechanism Detail**



BOM ID	Part No.	Description	Qty
11	Z21204	Ball Bearing, 1635-2RS x Self Aligning	3
12	Z26303	Bronze Bushing, 1" ID x 1-1/4" OD x 1-1/4" Long Grooved OD	2
13	Z29202	Grease Fitting, 1/4NF	2
14	Z11310	Hex Bolt, 3/8NC x 1"	1
15	Z11525	Hex Bolt, 1/2NC x 2-1/2"	1
16	Z11527	Hex Bolt, 1/2NC x 2-3/4"	2
17	Z12231	Hex Lock Nut, 3/8NC	1
18	Z12251	Hex Lock Nut, 1/2NC	3
19	Z26201	Bronze Bushing, 3/4" ID x 1" OD x 1-1/2" Long	1

BOM ID	Part No.	Description	Qty
1	70151524	Handle, Ratchet Speed Set	1
2	7015M512	Flange Bushing	1
3	7015M514	Bushing, Link Arm Bolt	1
4	7015M517	Bolt Spacer	1
5	7015W510	Arm, Apron Ratchet Drive	2
6	7015W511	Slide, Speed Adjuster	1
7	7015W512	Dog, Ratchet	2
8	7015W513	Ratchet, Apron Drive	1
9	7015W514	#50 24Tooth Sprocket Hub	1
10	7015W515	Arm, Ratchet Drive Link	1

## Engagement Handle Assembly



BOM ID	Part No.	Description	Qty
1	7011S103	Latch Rod	1
2	7011W104	Engaging Lever	1
3	7014L465	Engaging Arm Guide	1
4	Z14131	Roll Pin, 1/8" x 1"	2
5	Z72211	Hex Lock Nut, 1/4NC	2
6	Z76211	Carriage Bolt, 1/4NC x 3/4"	2
7	Z32301	Comp Spring, 0.720" OD x 3" x 0.063"	1



Label Layout

Right Side

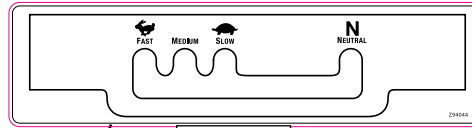


Z94168

Z94117



Z94116



Z94044



Z94168

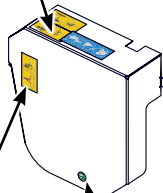
Z94117



Z94239



Z94239



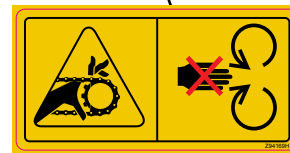
Z94169



Z94426



Z94426



Z94169.H



Z946534



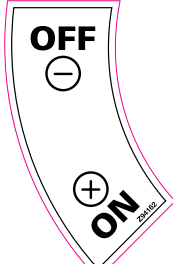
Left Side



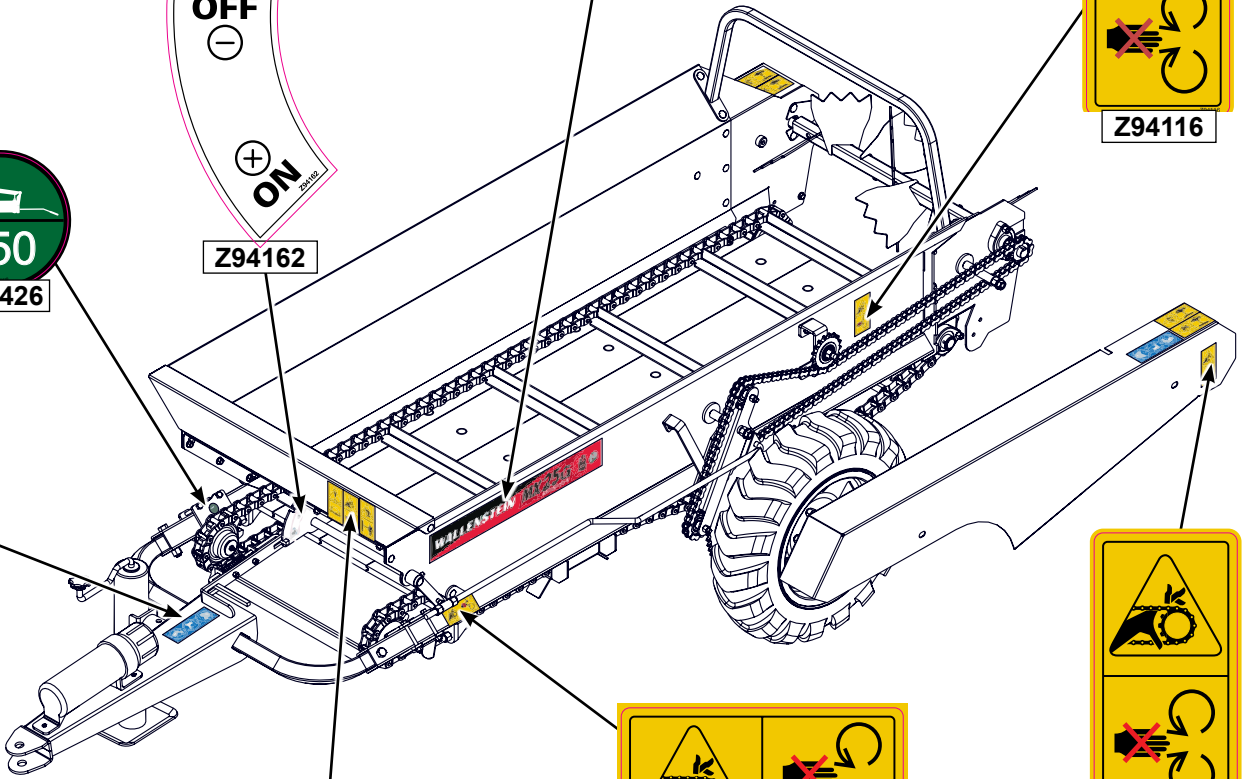
Z946534



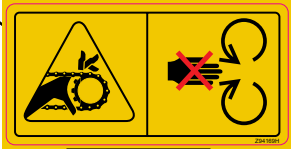
Z94116



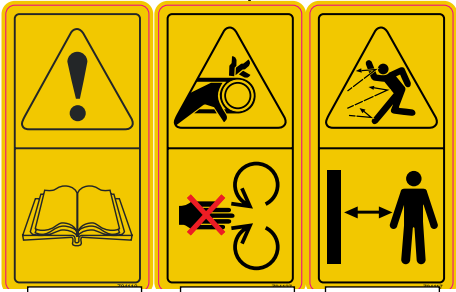
Z94162



Z94169



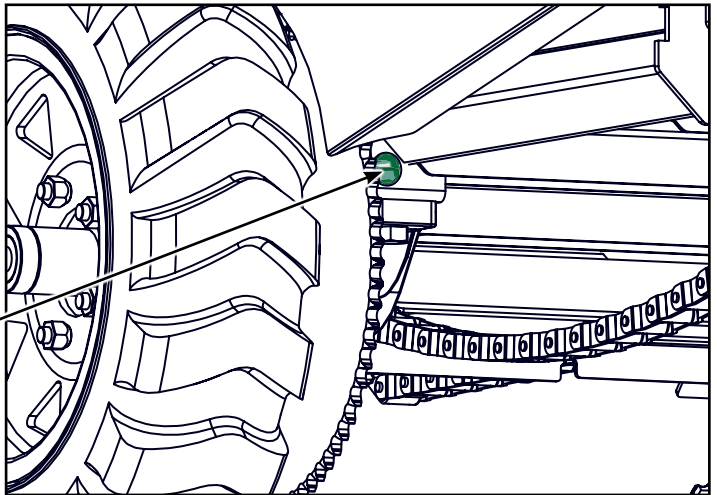
Z94169.H



Z94119

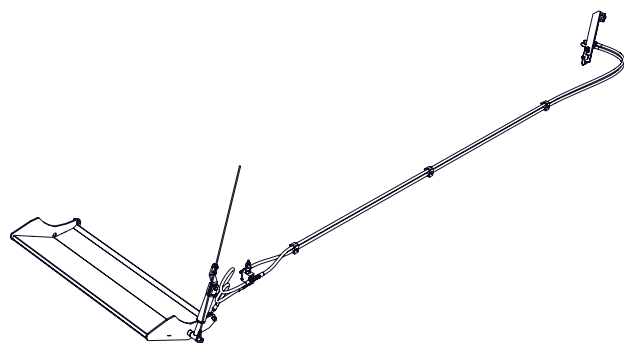
Z94127

Z94117



## Accessories

Call your dealer for pricing and availability



#M7750

### M7750 Fines Pan

A must have add on kit, Fines Pan provides a more consistent spread of manure by causing all manure to be discharged by the beater paddles.

Kit consists of fines pan, hardware, hydraulic cylinder, hoses and components.

Must be dealer installed.



### #Z97045

### COMPACT MANURE SPREADERS OPERATOR'S MANUAL

Available as a download at  
[www.wallensteinequipment.com](http://www.wallensteinequipment.com)