



EMB Manufacturing Inc.  
4144 Boomer Line · St. Clements, On · N0B 2M0 · Canada  
Ph: (519) 699-9283 · Fax: (519) 699-4146  
www.embmfg.com

# WX970 Trailer Log Splitter Parts Manual

S/N 2E9US1110ES370010 & After  
370010 through 370015



Refer to the operators  
manual for safe opera-  
tion and maintainance

2060T100 WX970 Parts Manual  
Rev G 090516

## Foreword

EMB Mfg. has prepared this parts manual to assist customers in ordering quality OEM replacement parts.

Proper and regular service and replacing old, worn or broken parts with the correct OEM parts are essential to prolonging the life of your EMB product. Please refer to this manual before ordering any replacement parts.

All information contained in this parts manual is based on the latest product specification available at the time of printing this manual. If your product differs from the specifications contained within this manual contact EMB Mfg. for information.

EMB reserves the right to alter specifications on their products at any time.

Reproduction of this parts manual of any kind is prohibited without prior written permission from EMB Mfg.

## Table of Contents

Bolt Torque	4
Hydraulic Fitting Torque	5
Cylinder	8
Sliding Wedge	9
Valve	10
Hub	13
Engine & Pump	14
4-Way Wedge (Optional)	15
Light Kit (Optional)	17
Decal Breakdown	18

**Bolt Torque**

**CHECKING BOLT TORQUE**

The tables shown below give correct torque values for various bolts and capscrews. Tighten all bolts to the torques specified in chart unless otherwise noted. Check tightness of bolts periodically, using bolt torque chart as a guide. Replace hardware with the same strength bolt.

Torque figures indicated above are valid for non-greased or non-oiled threads and heads unless otherwise specified. Therefore, do not grease or oil bolts or capscrews unless otherwise specified in this manual. When using locking elements, increase torque values by 5%.

\* Torque value for bolts and capscrews are identified by their head markings.

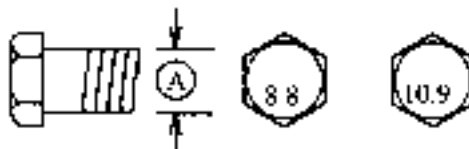
**ENGLISH TORQUE SPECIFICATIONS**

Bolt Diameter "A"	Bolt Torque*					
	SAE 2 (N.m) (lb-ft)		SAE 5 (N.m) (lb-ft)		SAE 8 (N.m) (lb-ft)	
1/4"	8	6	12	9	17	12
5/16"	13	10	25	19	36	27
3/8"	27	20	45	33	63	45
7/16"	41	30	72	53	100	75
1/2"	61	45	110	80	155	115
9/16"	95	60	155	115	220	165
5/8"	128	95	215	160	305	220
3/4"	225	165	390	290	540	400
7/8"	230	170	570	420	880	650
1"	345	225	850	630	1320	970



**METRIC TORQUE SPECIFICATIONS**

Bolt Diameter "A"	Bolt Torque*			
	8.8 (N.m) (lb-ft)		10.9 (N.m) (lb-ft)	
M3	.5	.4	1.8	1.3
M4	3	2.2	4.5	3.3
M5	6	4	9	7
M6	10	7	15	11
M8	25	18	35	26
M10	50	37	70	52
M12	90	66	125	92
M14	140	103	200	148
M16	225	166	310	229
M20	435	321	610	450
M24	750	553	1050	774
M30	1495	1103	2100	1550
M36	2600	1917	3675	2710

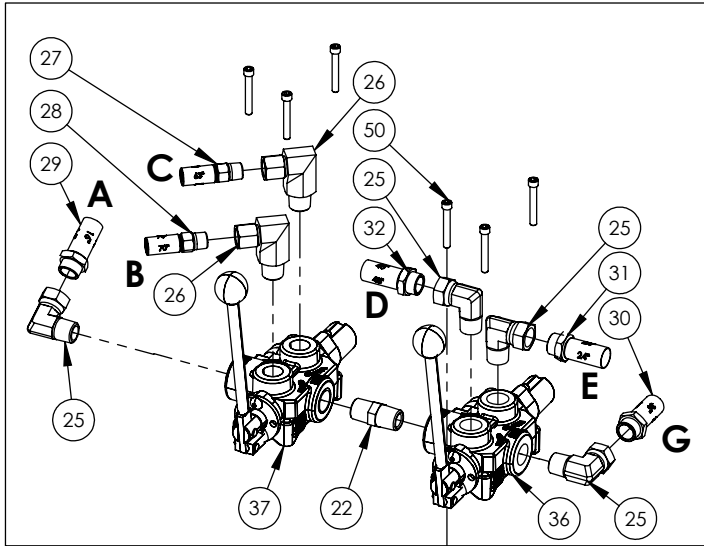


**Hydraulic Fitting Torque****Tightening Flare Type Tube Fittings \***

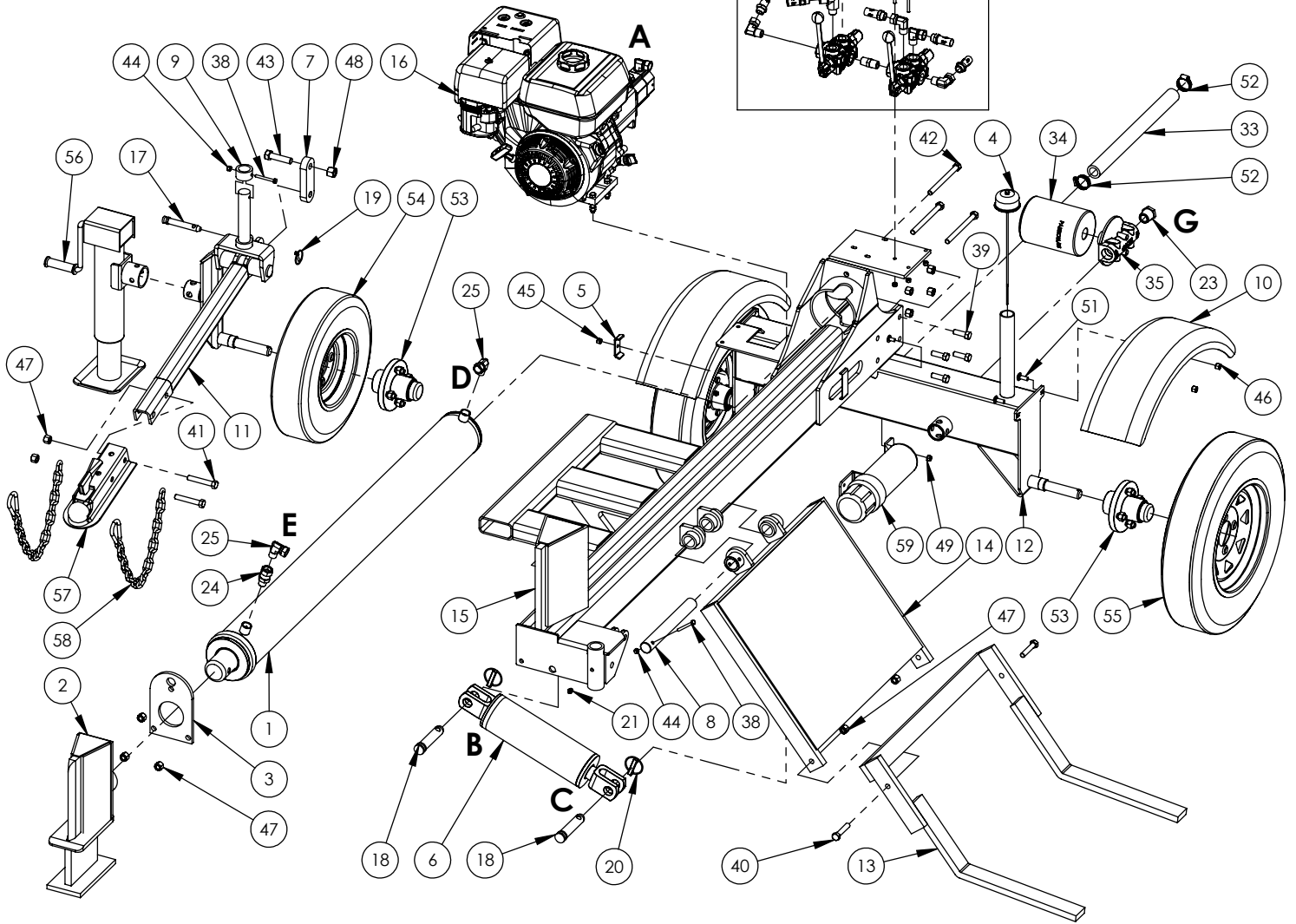
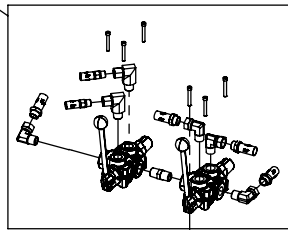
1. Check flare and flare seat for defects that might cause leakage.
2. Align tube with fitting before tightening.
3. Lubricate connection and hand tighten swivel nut until snug.
4. To prevent twisting the tube(s), use two wrenches. Place one wrench on the connector body and with the second tighten the swivel nut to the torque shown.

Tube Size OD	Nut Size Across Flats	Torque Value*		Recommended Turns To Tighten (After Finger Tightening)	
		(N.m)	(lb-ft)	(Flats)	(Turn)
3/16	7/16	8	6	1	1/6
1/4	9/16	12	9	1	1/6
5/16	5/8	16	12	1	1/6
<b>3/8</b>	<b>11/16</b>	<b>24</b>	<b>18</b>	<b>1</b>	<b>1/6</b>
1/2	7/8	46	34	1	1/6
5/8	1	62	46	1	1/6
3/4	1-1/4	102	75	3/4	1/8
7/8	1-3/8	122	90	3/4	1/8

The torque values shown are based on lubricated connections as in reassembly.

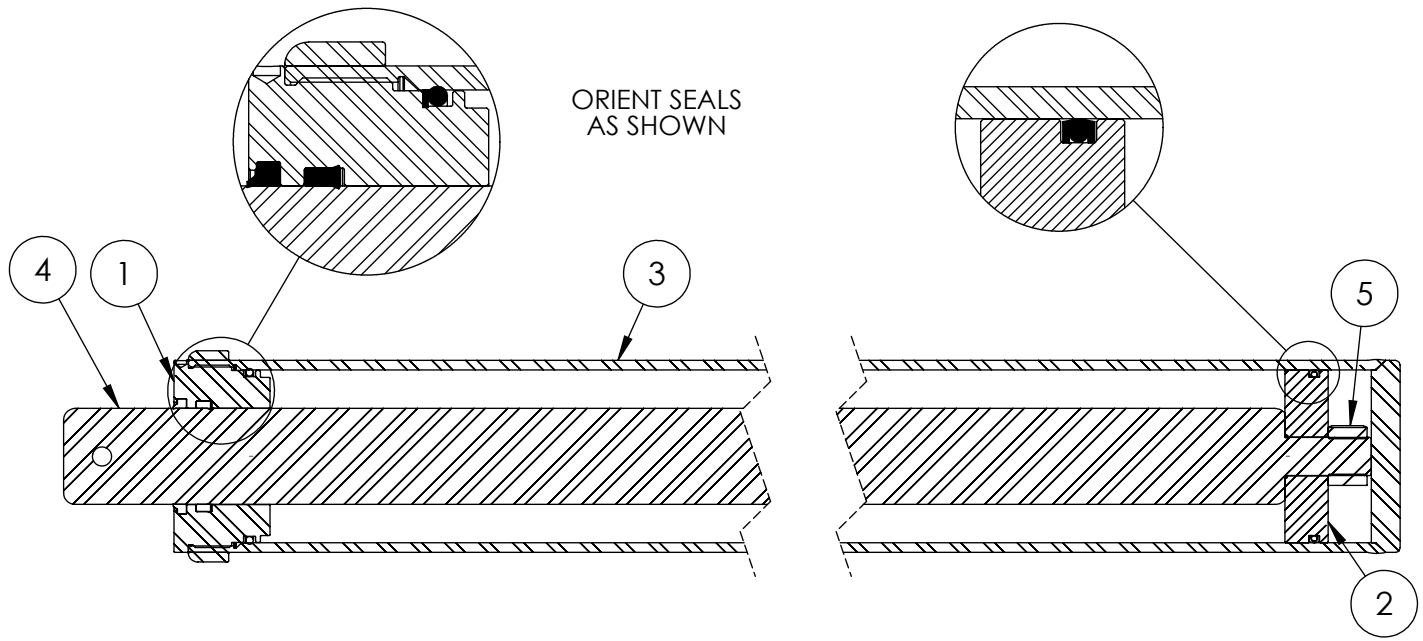


LETTERS DENOTE HOSE ROUTING CONNECTIONS.



## WX970 PARTS BREAKDOWN

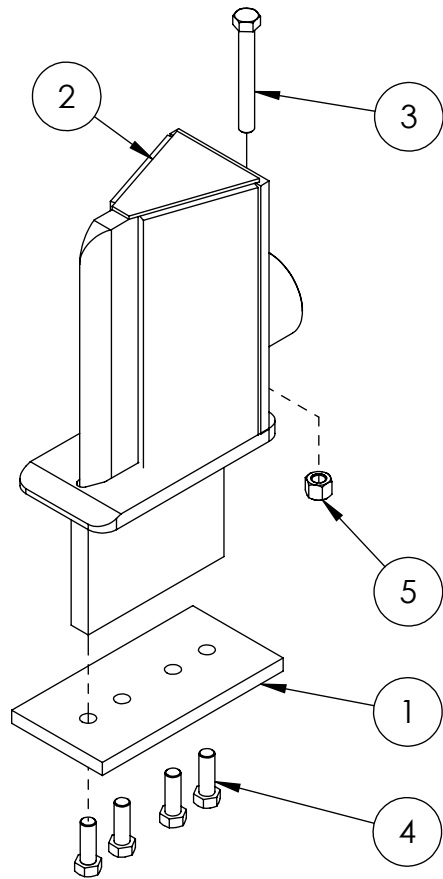
ITEM	PART NO.	DESCRIPTION	QTY
1	2013C301	Cylinder, 4-1/2 x 48" x 2-1/2	1
2	2032A202	Wedge, Large Sliding Assy	1
3	2032S213	Plate, Cylinder Retaining	1
4	Z55404	Vented Plug Dipstick x 9"	1
5	2054L412	Clamp, Two Hose	2
6	2058C801	Cylinder, 3-1/2 x 8 X 1-1/2	1
7	2058L809	Lock Link	1
8	2058M815	Pin, Shelf Pivot	1
9	2058M819	Bushing, Pivot with Hole	1
10	2058W811	Weldment, Fender	2
11	2058W812	Weldment, Front Tire	1
12	2059W917	Weldment, WX960 Tank	1
13	2060W010	Weldment, Log Arm	1
14	2060W013	Weldment, Lift Shelf	1
15	2060W015	Weldment, Main Trailer	1
16	2061A103	Assy, 9hp Engine to 16gpm Pump	1
17	Z11111	Toplink Pin 5/8 x 2-3/4	1
18	Z11141	Toplink Pin 1 x 3-3/16	2
19	Z12110	Latch Pin 3/16	1
20	Z12140	Latch Pin 7/16	2
21	Z29201	Grease Fitting, 1/8NPT	2
22	Z51122	Nipple, MP x MP 0808	1
23	Z51223	Reducer, MP x FP 1608	1
24	Z51312	Straight, MP x FPx 0808	1
25	Z51331	Elbow 90 MP x FPx 0808	6
26	Z51332	Elbow 90 MP x FPx 0806	2
27	Z52233	3/8 Hose, MP06 x MP06 x 63"	1
28	Z52234	3/8 Hose, MP06 x MP06 x 70"	1
29	Z52301	1/2 Hose MP08 x MP08 x 16"	1
30	Z52303	1/2 Hose, 1/2MP x 1/2MP x 36"	1
31	Z52305	1/2 Hose, MP08 x MP08 x 24"	1
32	Z52310	1/2 Hose MP08 x MP08 x 48"	1
33	Z52404	Suction Hose, 1" x 18"	1
34	Z55303	Oil Filter - 1" - Particulate	1
35	Z55304	Filter Cap, FP16 x FP16	1
36	Z56209	Valve, Single Function Defent	1
37	Z56211	Valve, Single Function	1
38	Z71122	Hex Bolt 1/4NC x 2-1/4	2
39	Z71515	Hex Bolt 1/2NC x 1-1/2	8
40	Z71525	Hex Bolt 1/2NC x 2-1/2	2
41	Z71530	Hex Bolt 1/2NC x 3	2
42	Z71560	Hex Bolt 1/2NC x 6	3
43	Z71625	Hex Bolt, 5/8NC x 2-1/2	1
44	Z72111	Hex Lock Nut 1/4NC	8
45	Z72221	Hex Lock Nut 5/16NC	2
46	Z72231	Hex Lock Nut 3/8NC	4
47	Z72251	Hex Lock Nut 1/2NC	15
48	Z72261	Hex Lock Nut 5/8NC	1
49	Z72521	Flange Nut 5/16NC	1
50	Z75114	SHCS, 1/4NC x 1-3/4	6
51	Z76231	Carriage Bolt 3/8NC x 1	4
52	Z79401	Hose Clamp, #16	2
53	Z91202	Assembly, 1000# 4-Bolt Hub	3
54	Z91301	4.80-8 LRB SportTrail	1
55	Z91302	5.30-12 LRB SportTrail 4 Spoked	2
56	Z91512	Side-Wind 10" Swivel Jack	1
57	Z91614	2" Hitch Coupler	1
58	Z92303	Safety Chain 1/4 x 2'	2
59	Z96503	Manual Tube 3-1/2 Short	1



**4-1/2" x 48" STROKE CYLINDER PARTS**

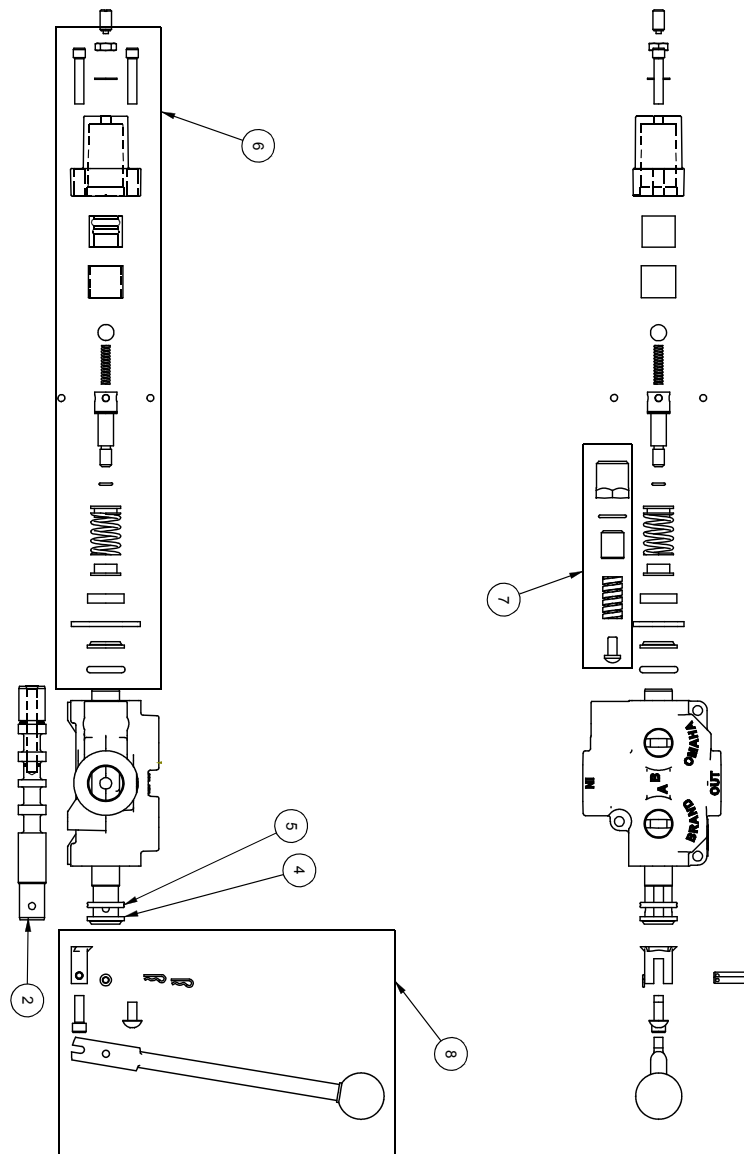
ITEM	PART NO.	DESCRIPTION	QTY
1	G450-250SA	4-1/2" Bore x 2-1/2" Rod Gland With Seals	1
2	P100-450SA	4-1/2" Bore Piston With Seals	1
3	2013C3014	Barrel, 4-1/2"	1
4	2013C3012	Rod, 2-1/2x 1	1
5	Z72292G8	Hex Lock Nut 1NF Grade 8	1
6	SLK-4525	Seal Kit, 4-1/2 x 2-1/2	1





**2032A202 SLIDING WEDGE PARTS BREAKDOWN**

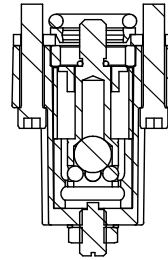
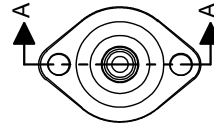
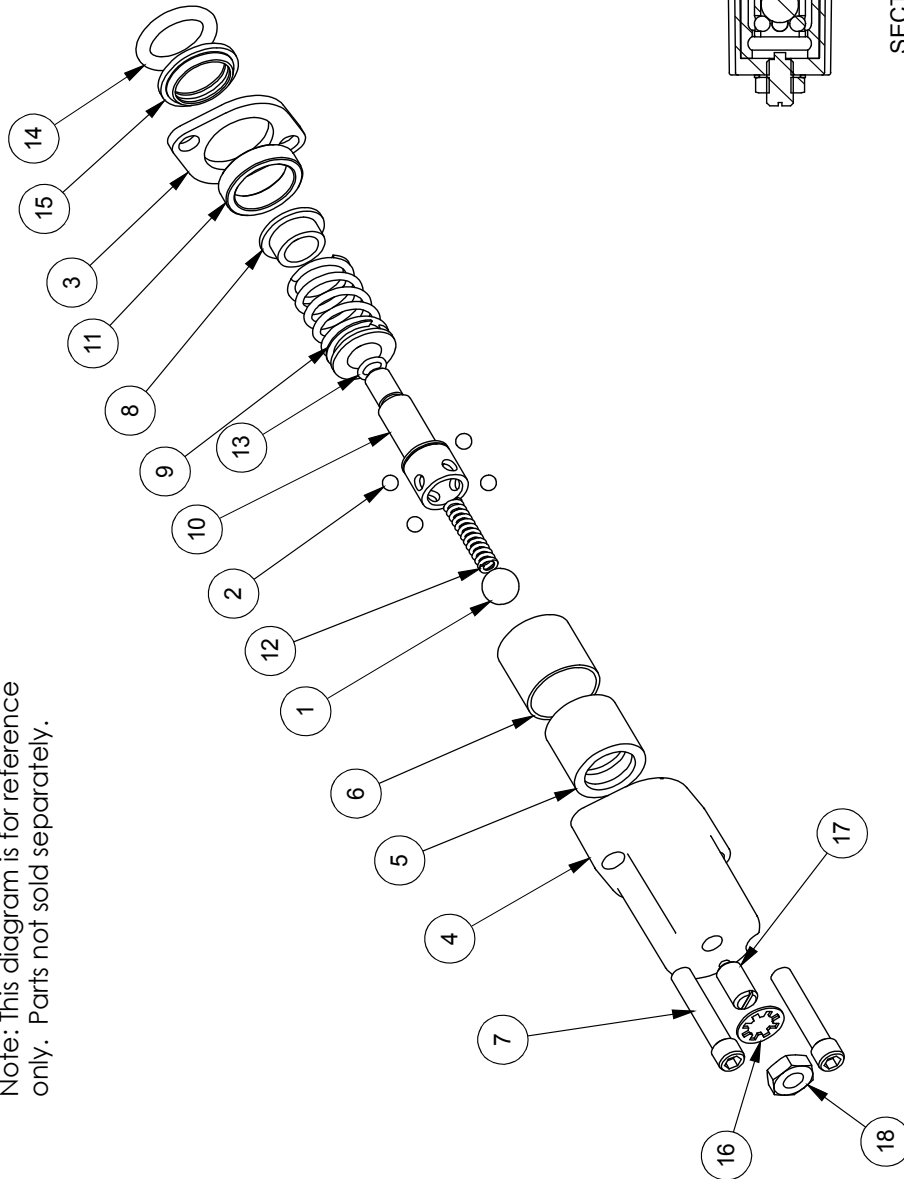
ITEM	PART NO.	Description	QTY.
1	2014S414	Plate, Sliding Wedge Capture	1
2	2032W203	Wedge, Large Sliding	1
3	Z71540	Hex Bolt 1/2NC x 4	1
4	Z71576	Hex Bolt 1/2NF x 1-1/2	4
5	Z72251	Hex Lock Nut 1/2NC	1



ITEM NO.	QTY.	PART NO.	DESCRIPTION
1	1	AOCASTB	AO CASTING
2	1	LS304TAJ	SPOOL
3	1	P1740	NAME TAG
4	1	SF305	WIPER
5	1	SF304	QUAD RING
6	1	SUB-LS	SUB-LS
	1	B5057	7/16 BALL
	4	DC7604	3/16 BALL
	1	SF306	RETAINER
	1	SF477L	SH LS ENDCAP
	1	XDC672	LS SLEEVE
	1	SF483	SPACER
	2	SF486	ALLEN SCREW
	2	SF489	CENTER STOP
	1	SF490	CENTERING SPRING
	1	SF492	HOUSING
	1	SF315	SPACER
	1	LS305	DETENT SPRING
	1	DC7583	O-RING-3-902
	1	SF496	O-RING, BLUE, METRIC
	1	LS306	LS WIPER
	1	SF502	5/16 LOCK WASHER
	1	SF503	PLUNGER, SPRING
	1	SF504	5/16 HEX JAM NUT
7	1	SUB-R	RELIEF
	1	P1603	CAP NUT
	1	SF322	O-RING 2-016
	1	SF364A	ADJ. SCREW
	1	B505	SPRING
	1	SF361A	POPPET
8	1	Z56915	HANDLE KIT
	1	SF377	RETAINER
	1	SF376	SEAL RETAINER
	1	SF367A	CLEVIS
	1	SF368	HANDLE
	2	SF369	PIN
	2	P1767	PIN CLIP
	1	HR5	MACH. SCREW
	1	SF311	KNOB
	1	SF308	CAP SCREW
	1	SF303TAJ	SPOOL
9	1	P1654	WARNING TAG

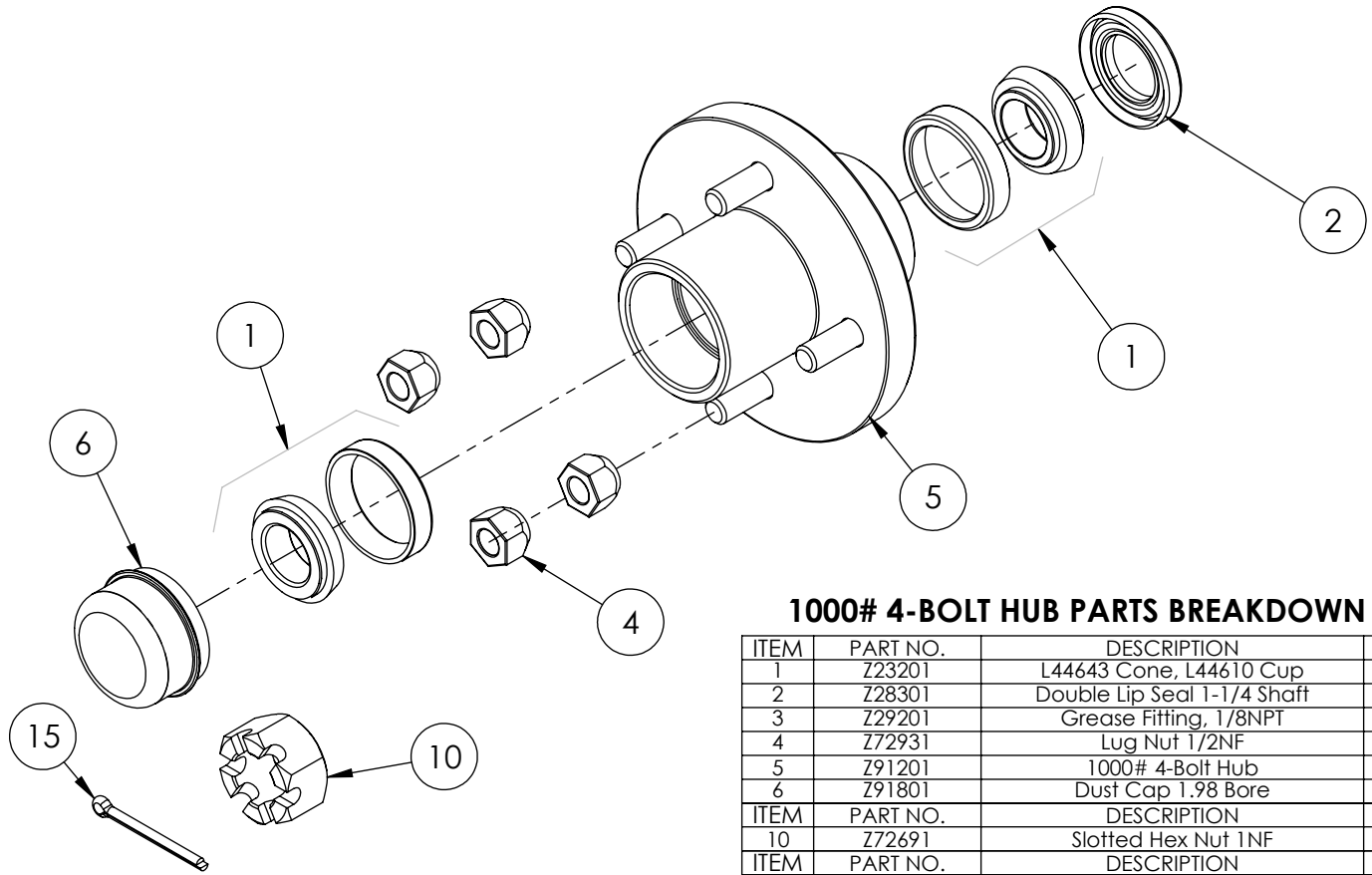
ITEM NO.	QTY.	PART NO.	DESCRIPTION
1	1	B5057	7/16 BALL
2	4	DC7604	3/16 BALL
3	1	SF306	RETAINER
4	1	SF477L	SH LS ENDCAP
5	1	SF480	SD SLEEVE
6	1	SF483	SPACER
7	2	SF486	ALLEN SCREW
8	2	SF489	CENTER STOP
9	1	SF490	CENTERING SPRING
10	1	SF492	HOUSING
11	1	SF315	SPACER
12	1	LS305	DETENT SPRING
13	1	DC7583	O-RING 3-902
14	1	SF496	METRIC O-RING
15	1	LS306	LS WIPER
16	1	SF502	5/16 LOCK WASHER
17	1	SF503	SPRING PLUNGER
18	1	SF504	5/16 HEX JAM NUT

Note: This diagram is for reference only. Parts not sold separately.



SECTION A-A

This Page is Intentionally Blank

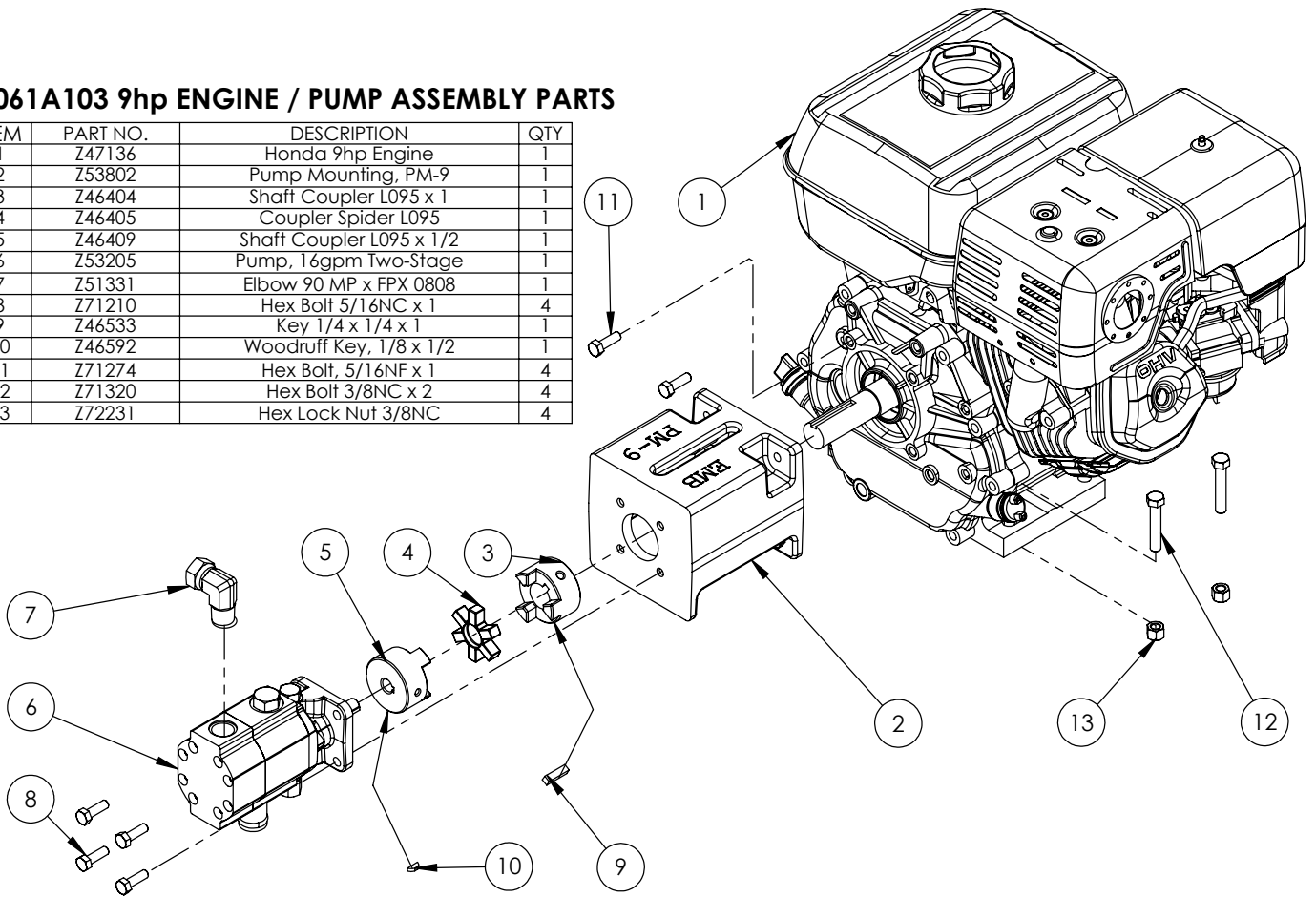


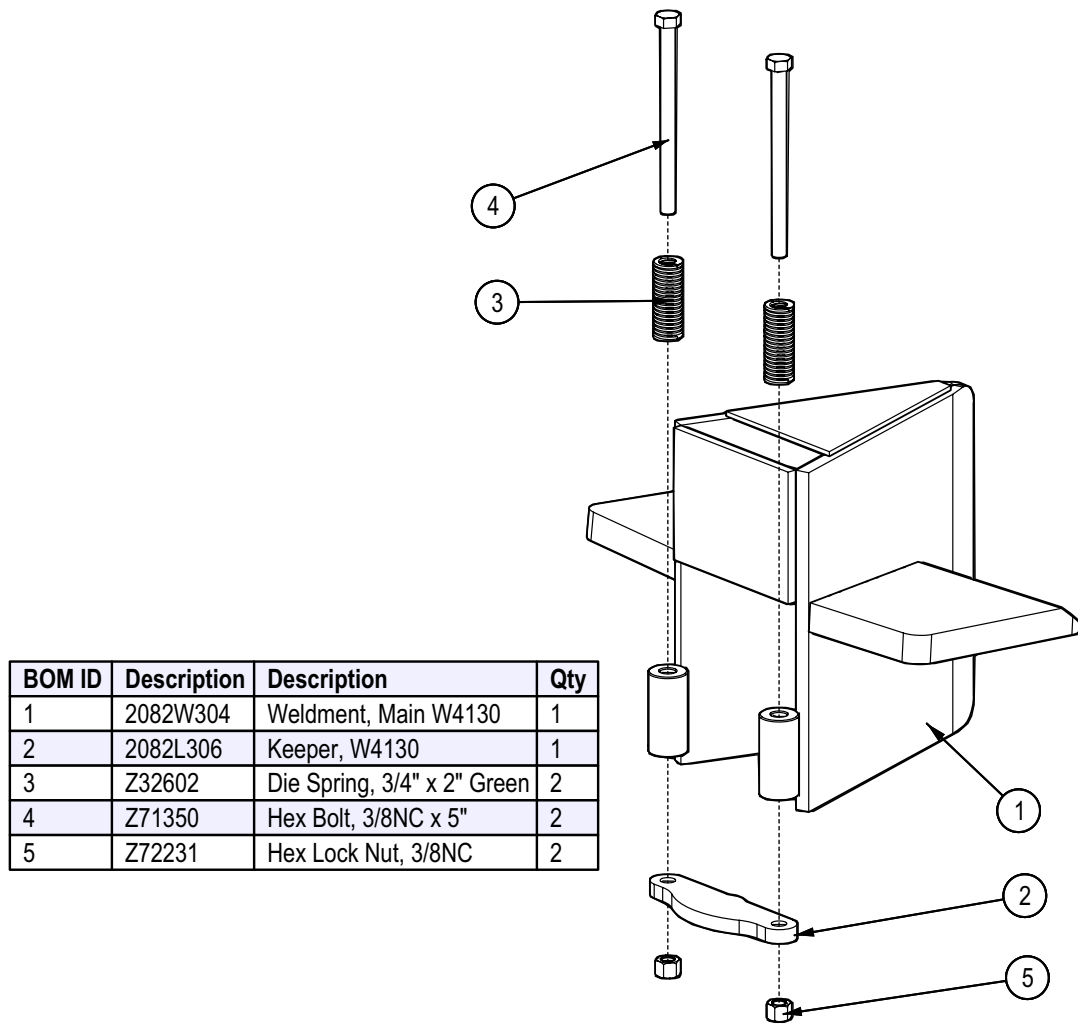
**1000# 4-BOLT HUB PARTS BREAKDOWN**

ITEM	PART NO.	DESCRIPTION	QTY
1	Z23201	L44643 Cone, L44610 Cup	2
2	Z28301	Double Lip Seal 1-1/4 Shaft	1
3	Z29201	Grease Fitting, 1/8NPT	1
4	Z72931	Lug Nut 1/2NF	4
5	Z91201	1000# 4-Bolt Hub	1
6	Z91801	Dust Cap 1.98 Bore	1
ITEM	PART NO.	DESCRIPTION	QTY
10	Z72691	Slotted Hex Nut 1NF	1
ITEM	PART NO.	DESCRIPTION	QTY
15	Z12322	Cotter Pin 3/16 X 2	1

**2061A103 9hp ENGINE / PUMP ASSEMBLY PARTS**

ITEM	PART NO.	DESCRIPTION	QTY
1	Z47136	Honda 9hp Engine	1
2	Z53802	Pump Mounting, PM-9	1
3	Z46404	Shaft Coupler L095 x 1	1
4	Z46405	Coupler Spider L095	1
5	Z46409	Shaft Coupler L095 x 1/2	1
6	Z53205	Pump, 16gpm Two-Stage	1
7	Z51331	Elbow 90 MP x FPX 0808	1
8	Z71210	Hex Bolt 5/16NC x 1	4
9	Z46533	Key 1/4 x 1/4 x 1	1
10	Z46592	Woodruff Key, 1/8 x 1/2	1
11	Z71274	Hex Bolt, 5/16NF x 1	4
12	Z71320	Hex Bolt 3/8NC x 2	4
13	Z72231	Hex Lock Nut 3/8NC	4



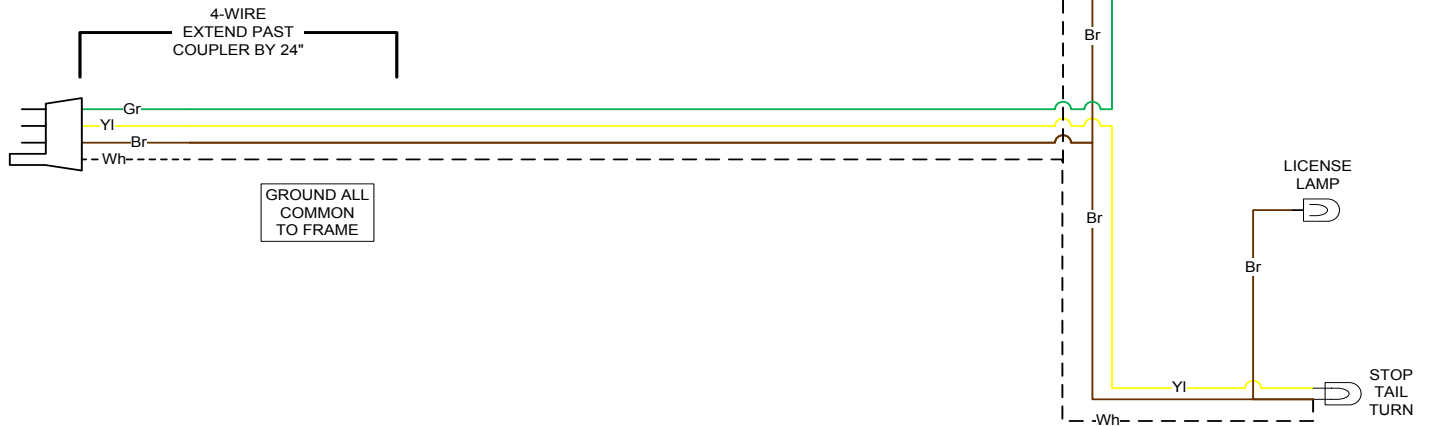


BOM ID	Description	Description	Qty
1	2082W304	Weldment, Main W4130	1
2	2082L306	Keeper, W4130	1
3	Z32602	Die Spring, 3/4" x 2" Green	2
4	Z71350	Hex Bolt, 3/8NC x 5"	2
5	Z72231	Hex Lock Nut, 3/8NC	2

# WX TRAILER SPLITTER WIRING

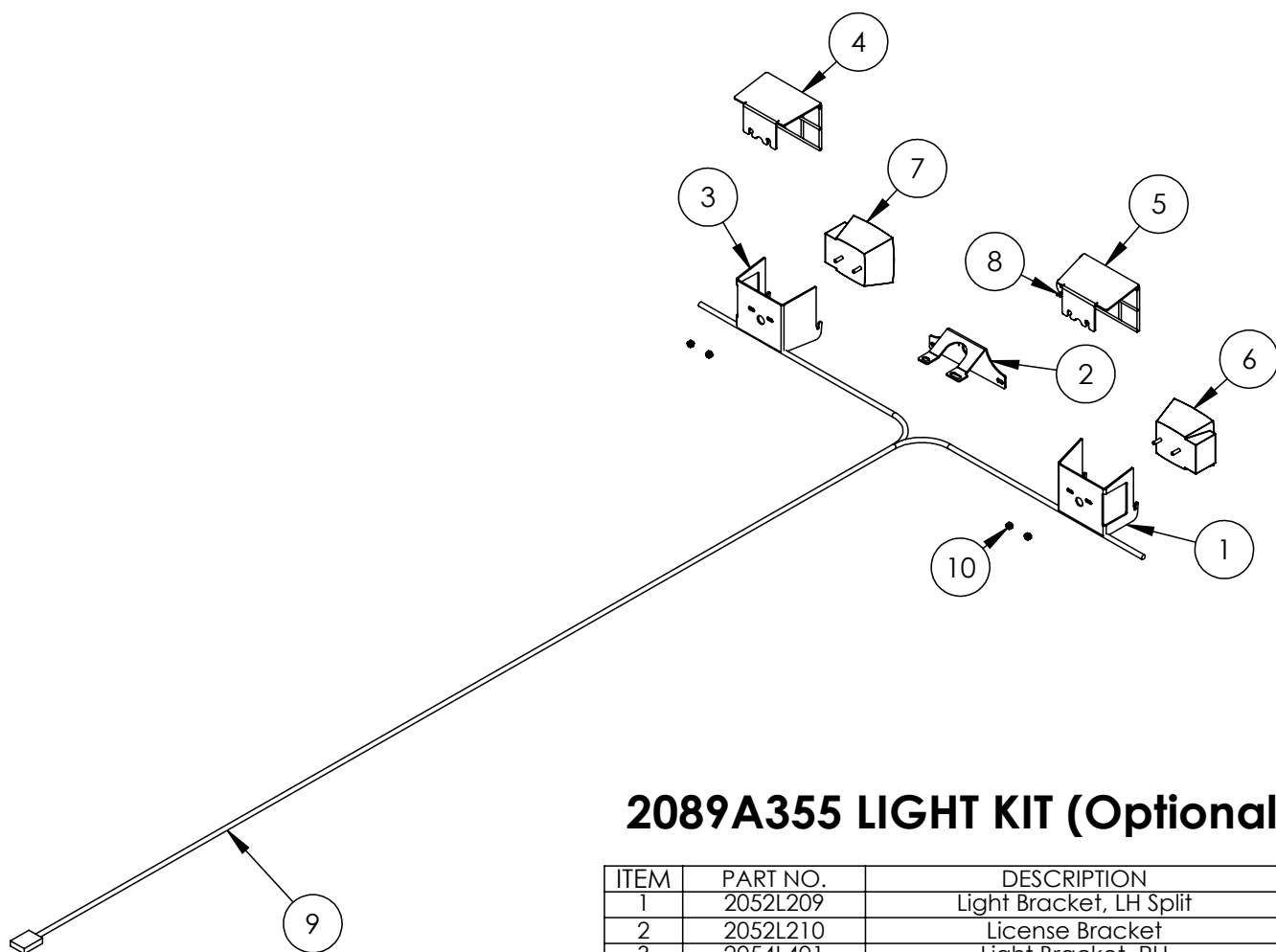
## RIGHT SIDE

KEY	
Bl	- BLUE
Br	- BROWN
Gr	- GREEN
Rd	- RED
Yl	- YELLOW
Bk	- BLACK
Wh	- WHITE



## LEFT SIDE



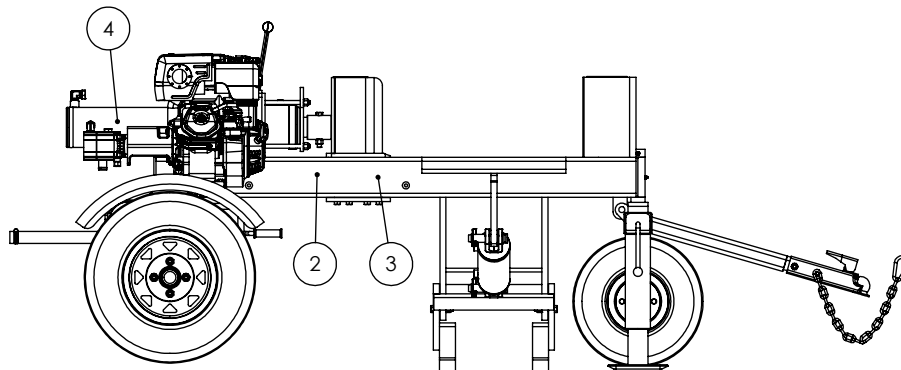
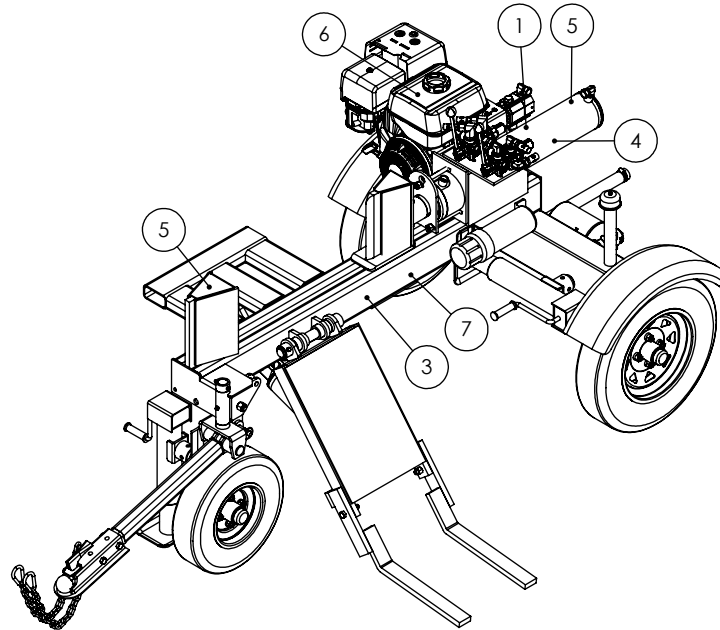


### 2089A355 LIGHT KIT (Optional)

ITEM	PART NO.	DESCRIPTION	QTY
1	2052L209	Light Bracket, LH Split	1
2	2052L210	License Bracket	1
3	2054L401	Light Bracket, RH	1
4	2054W403	Light Guard, RH	1
5	2054W404	Light Guard, LH	1
6	Z61106	Stop, Turn, Tail Light LH	1
7	Z61107	Stop, Turn, Tail Light RH	1
8	Z61301	License Lamp	1
9	Z62105	110" Wishbone Trailer Harness	1
10	Z72941	Serrated Washer Nut 1/4NC	4

## HORIZONTAL LOG SPLITTER DECAL BREAKDOWN

ITEM	PART NO.	DESCRIPTION	QTY
1	Z94119	CAUTION - Read Manual	1
2	Z94123	Keep Feet Back	1
3	Z94067	Clear Guide	2
4	Z94056	Wallenstein	2
5	Z94019	Made in Canada	2
6	Z94142	99 dB Sound	1
7	Z94124	Keep Hands Back	1



Label Layout



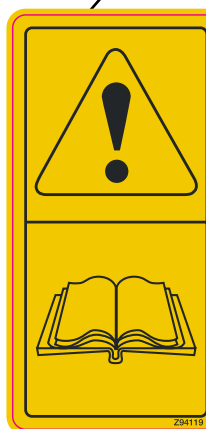
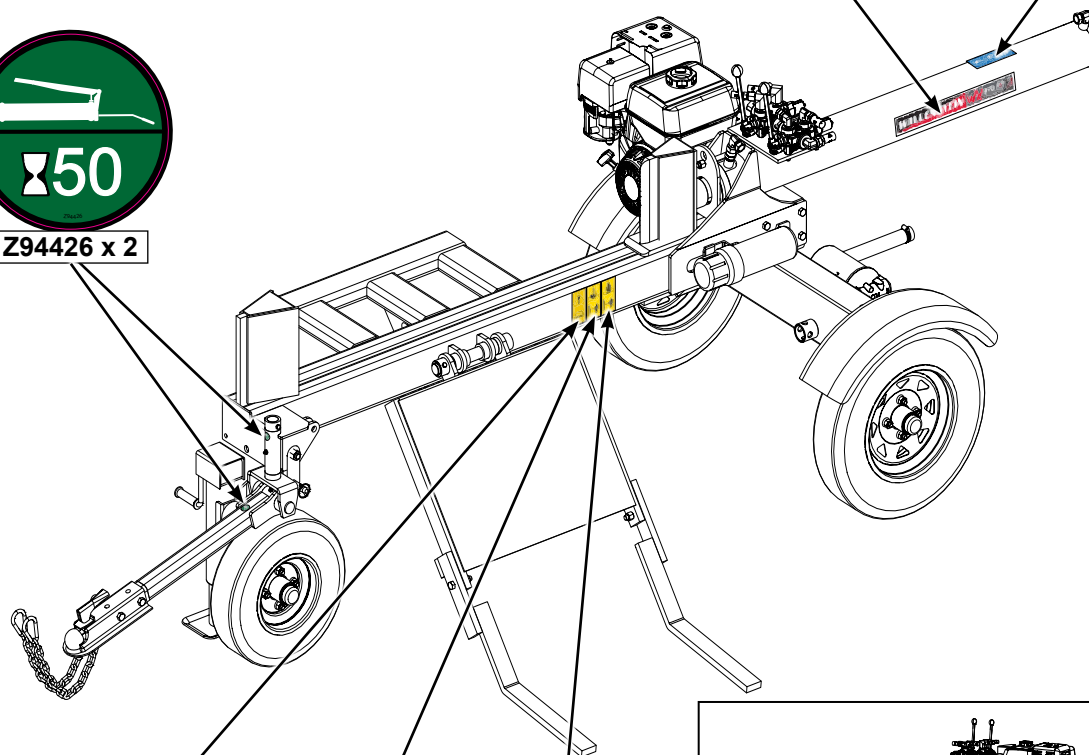
WX970 Z94696 x 2



Z94239 x 1



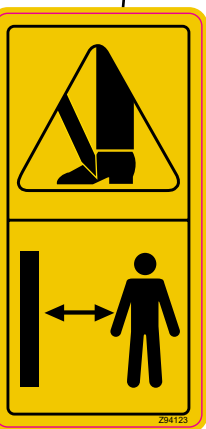
Z94426 x 2



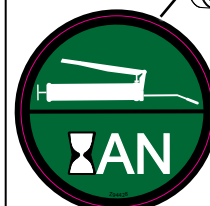
Z94119 x 2



Z94124 x 2



Z94123 x 2



Z94428 x 2

MODEL:	#####-###
SERIAL NUMBER:	#####
<a href="http://www.embmfg.com">www.embmfg.com</a> EMB MFG INC, 4144 BOOMER LINE, ST CLEMENTS, ON N0B 2M0 CANADA	
Serial Location	



**WALLENSTEIN Products Manufactured by:**

**EMB MFG Inc.**

4144 Boomer Line  
St. Clements, Ontario  
Canada N0B 2M0  
Phone: 1-877-695-9283  
Fax: 519-699-4146  
[www.embmfg.com](http://www.embmfg.com)