



# FX65 Skidding Winch Parts Manual

S/N 565275 to S/N 565636



# Foreword

EMB Mfg. has prepared this parts manual to assist customers in ordering quality OEM replacement parts.

Proper and regular service and replacing old, worn or broken parts with the correct OEM parts are essential to prolonging the life of your EMB product. Please refer to this manual before ordering any replacement parts.

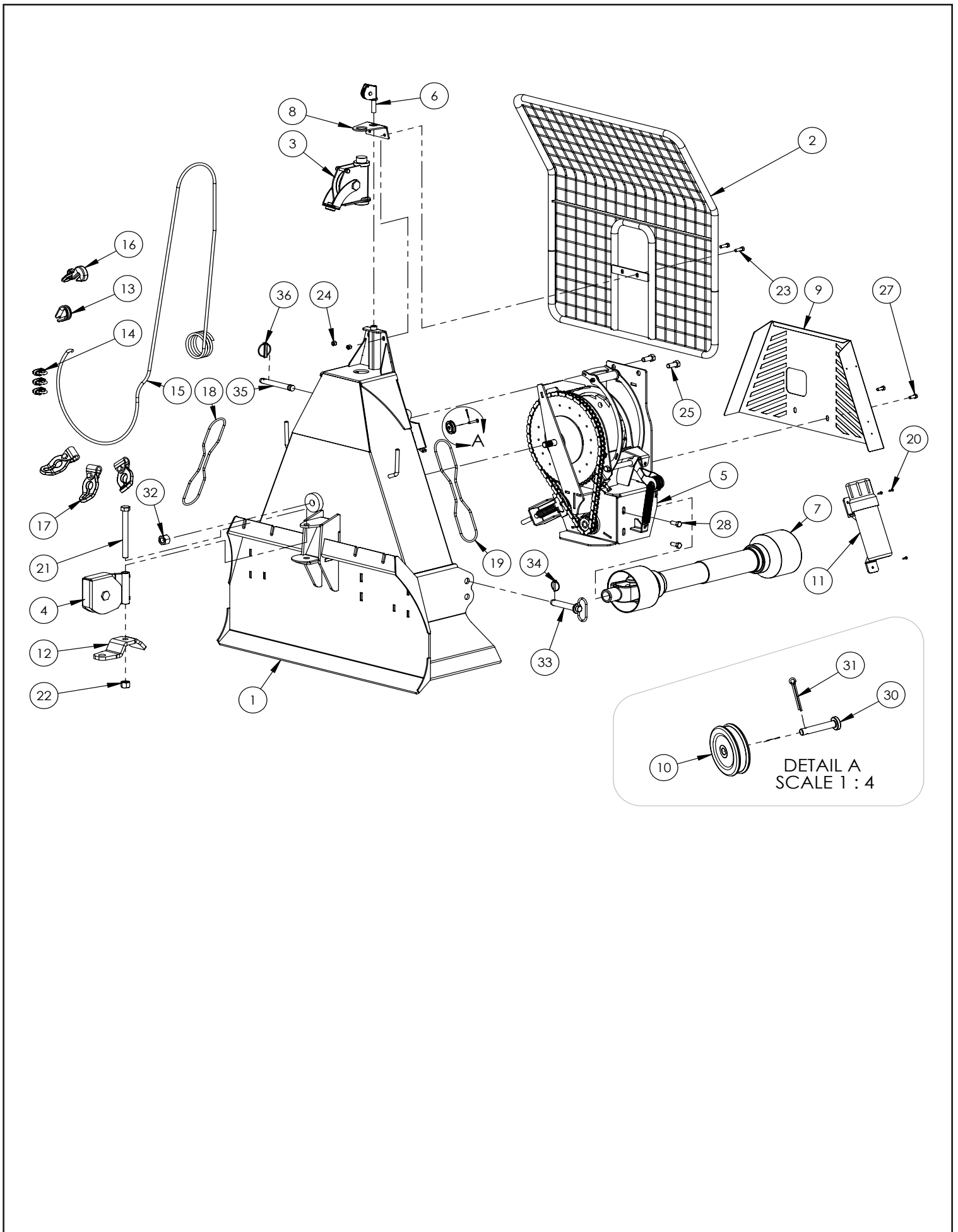
All information contained in this parts manual is based on the latest product specification available at the time of printing this manual. If your product differs from the specifications contained within this manual contact EMB Mfg. for information.

EMB reserves the right to alter specifications on their products at any time.

Reproduction of this parts manual of any kind is prohibited without prior written permission from EMB Mfg.

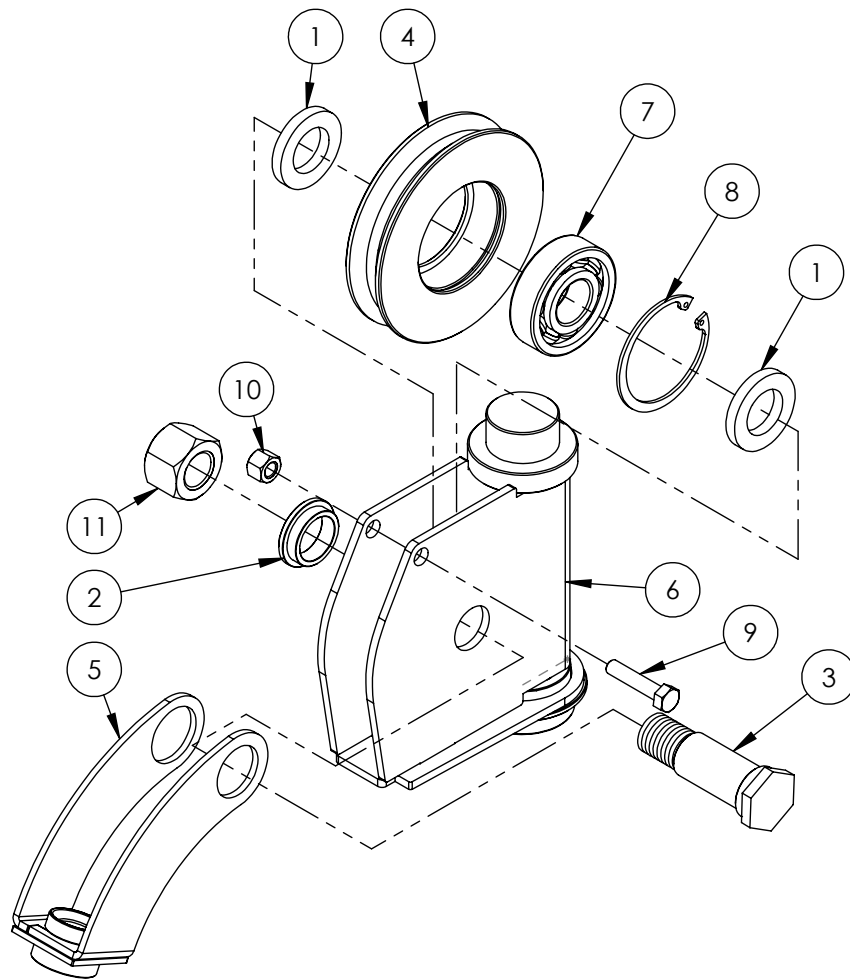
# Table of Contents

Main Parts	4
Top Cable Pulley	6
Cable Drum	7
Brake Arm	9
Drum Main Frame	10
Engagement Lever	10
Clutch and Sprocket	11
Main Drum	12
Lower Snatch Block	13
PTO Shaft	14
Decal Breakdown	16



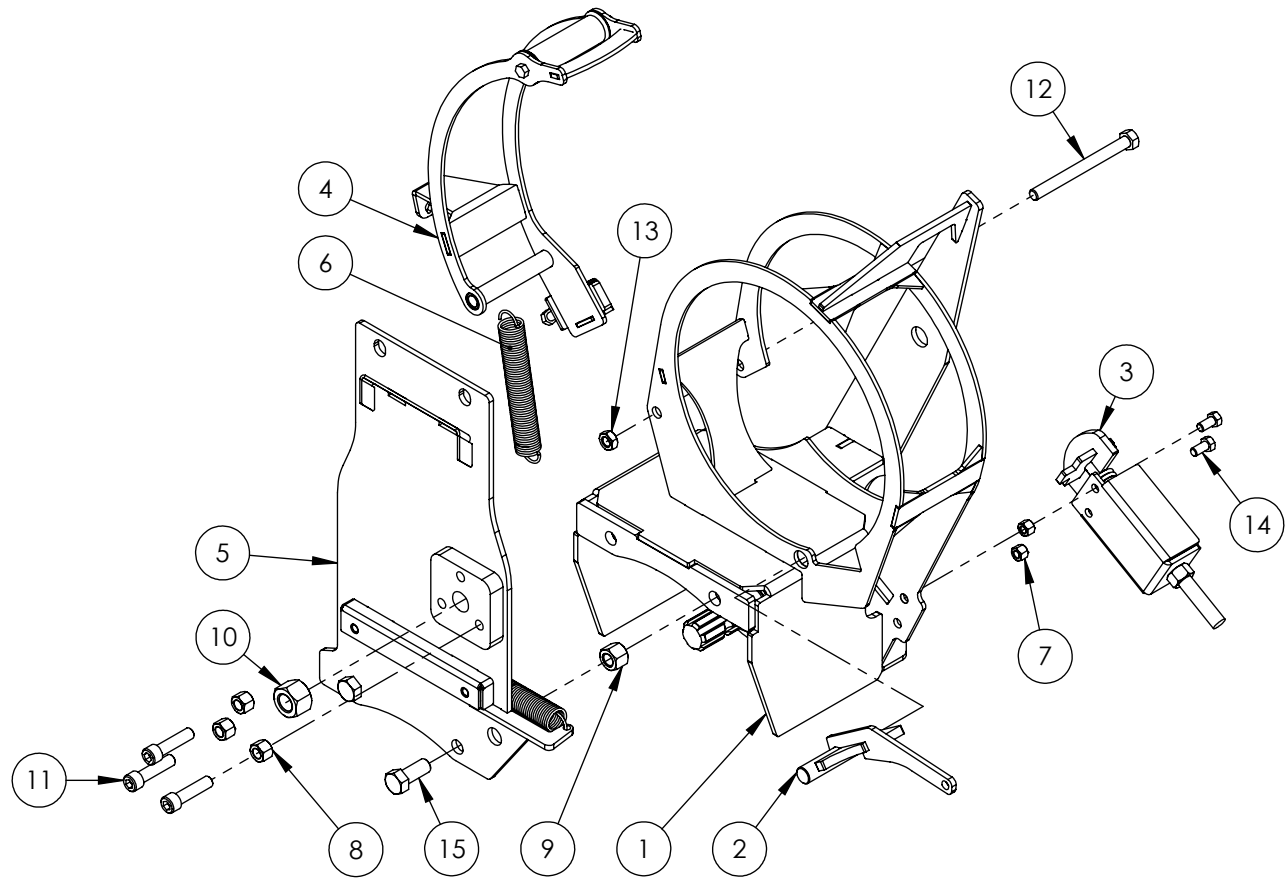
## FX65 WINCH MAIN ASSEMBLY PARTS BREAKDOWN

ITEM	PART NO.	DESCRIPTION	QTY
1	5011W001	Main Frame	1
2	5011W010	Safety Screen	1
3	5011A514	Top Cable Pulley	1
4	5011A519	Lower Snatch Block	1
5	5011A517	Winch Clutch	1
6	5012A207	Clutch Rope Pulley	1
7	Z44402	#4 Global PTO Shaft M8 Shear	1
8	5011L636	Bracket, Top Pulley Capture	1
9	5011L650	Lower Protective Shield	1
10	Z92203	1/4 Groove Pulley 2 Diam.	1
11	Z96503	Manual Tube 3-1/2 Short	1
12	5011L679	Draw Bar	1
13	Z92105	Thimble, Cable Protector	1
14	Z92103	Cable clamp 3/8	3
15	Z92101	Winch Cable 3/8 x 165'	1
16	Z92302	Grab Hook	1
17	Z92301	Keyhole Slider	3
18	Z92201	Clutch Control Rope	1
19	Z92205	Drum Brake Rope 18'	1
20	Z76712	Self-tapping Screw #10	3
21	Z71775	Hex Bolt, 3/4NC x 7-1/2	1
22	Z72170	Hex Lock Nut 3/4NC	1
23	Z71312	Hex Bolt 3/8NC x 1-1/4	2
24	Z72231	Hex Lock Nut 3/8NC	2
25	Z71615	Hex Bolt 5/8NC x 1-1/2	2
26	Z72261	Hex Lock Nut 5/8NC	2
27	Z71310	Hex Bolt 3/8NC x 1	2
28	Z71512	Hex Bolt 1/2NC x 1-1/4	2
29	Z72251	Hex Lock Nut 1/2NC	2
30	Z11311	Clevis Pin 1/4 x 1-1/8	1
31	Z12311	Cotter Pin 1/8 X 1	1
32	Z72281	Hex Lock Nut 7/8NC	1
33	Z11251	Hitch Pin 7/8 x 4-1/4	2
34	Z12110	Latch Pin 3/16	2
35	Z11123	Toplink Pin 3/4 x 4-3/4	1
36	Z12140	Latch Pin 7/16	1



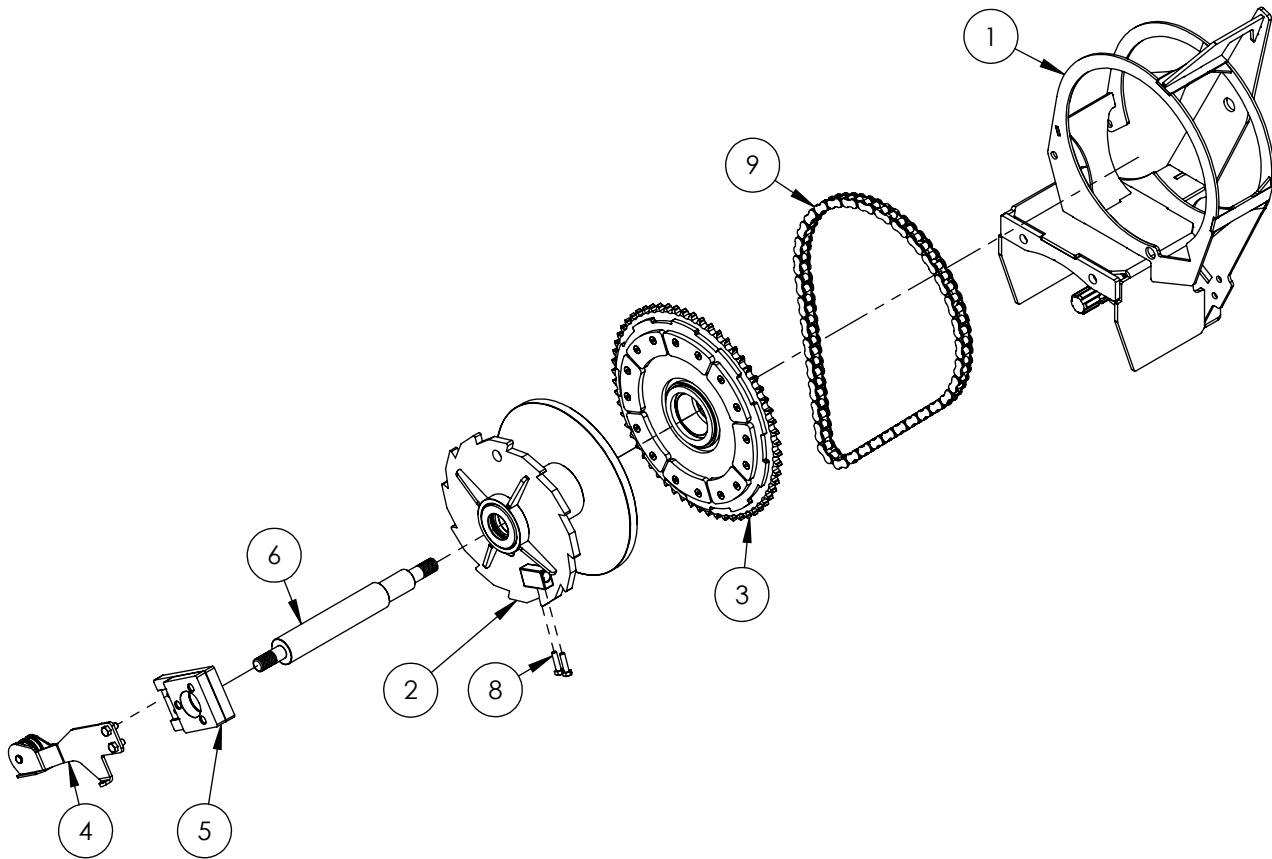
### FX65 TOP CABLE PULLEY ASSEMBLY

ITEM	PART NO.	DESCRIPTION	QTY
1	5011L647	Washer, Pulley Spacer - Narrow	2
2	5011M813	Cable Guide Swing Bushing	1
3	5011M814	Top Pulley Pin	1
4	5011M816	Cable Pulley	1
5	5011W008	Cable Guide	1
6	5011W011	Frame, Top Pulley	1
7	Z21201	Ball Bearing 6305 RS	1
8	Z46101	Internal Retaining Ring 2-7/16	1
9	Z71215	Hex Bolt, 5/16NC x 1-1/2	1
10	Z72231	Hex Lock Nut 3/8NC	1
11	Z72281	Hex Lock Nut 7/8NC	1



### FX65 CABLE DRUM PARTS BREAKDOWN

ITEM	PART NO.	DESCRIPTION	QTY
1	5011A513	Clutch, Main Base	1
2	5012W206	Lock Dog	1
3	5011A520	Assembly, Chain Tightener	1
4	5011A511	Brake Arm, Drum	1
5	5011W016	Clutch Back Plate	1
6	Z31403	Spring 25mm x 178mm x 0.105	2
7	Z72231	Hex Lock Nut 3/8NC	2
8	Z72252	Hex Lock Nut 1/2NF	3
9	Z72261	Hex Lock Nut 5/8NC	2
10	Z72281	Hex Lock Nut 7/8NC	1
11	Z75151	Cap Screw 1/2NF x 2	3
12	Z71555	Hex Bolt 1/2NC x 5-1/2	1
13	Z72451	Hex Jam Lock Nut, 1/2NC	1
14	Z71307	Hex Bolt 3/8NC x 3/4	2
15	Z71615	Hex Bolt 5/8NC x 1-1/2	2



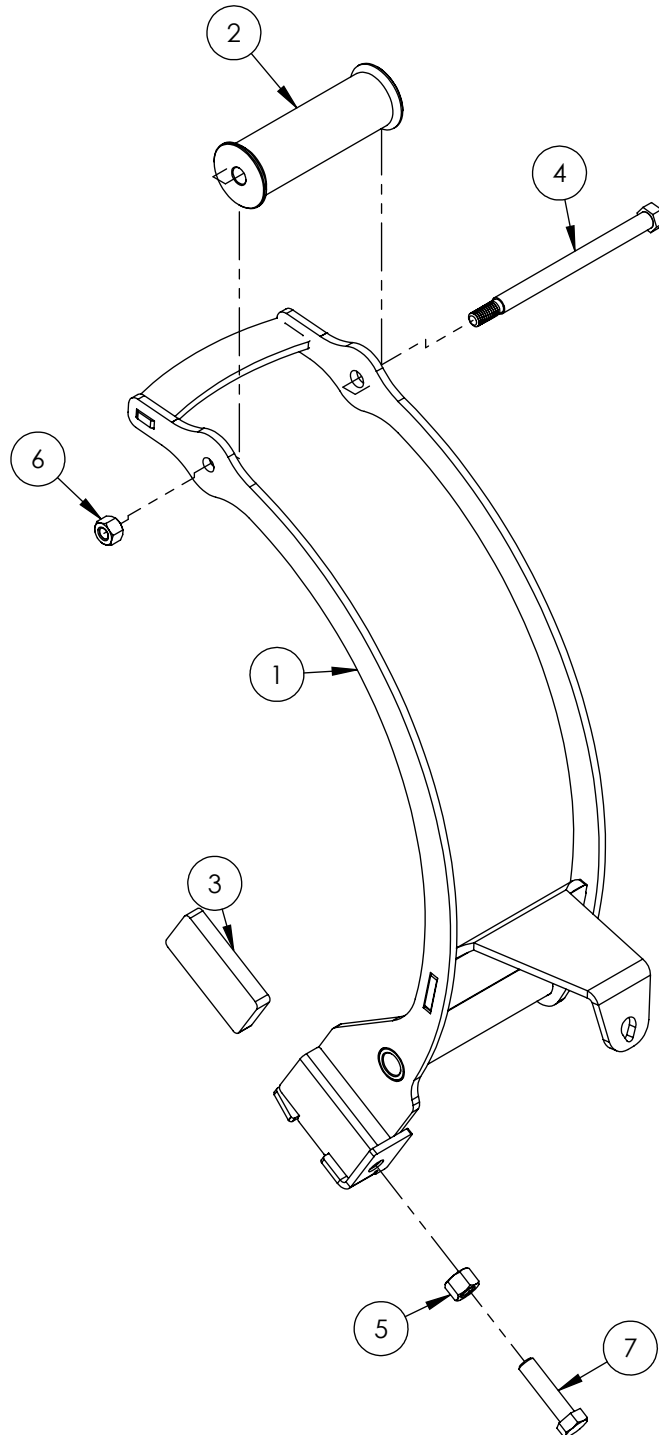
**FX65 CABLE DRUM PARTS BREAKDOWN II**

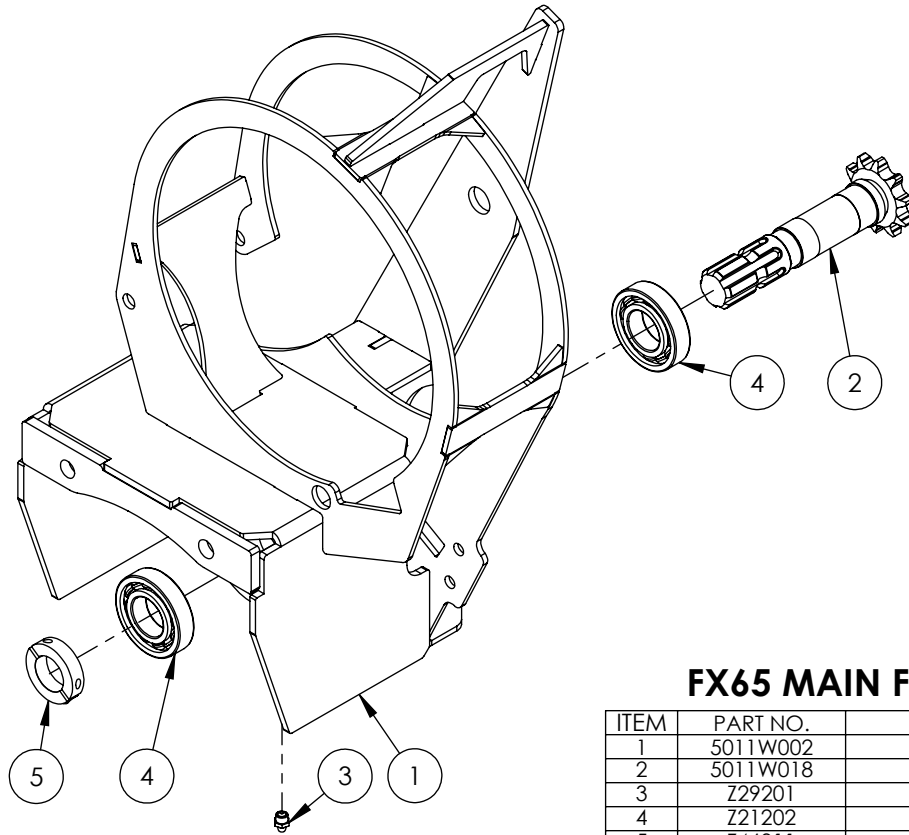
ITEM	PART NO.	DESCRIPTION	QTY
1	5011A513	Clutch, Main Base	1
2	5011A512	Main Drum	1
3	5011A510	Sprocket	1
4	5011A518	Engagment Lever	1
5	5012A204	Clutch Assembly	1
6	5012M214	Main Drum Shaft	1
7	Z34101	Cup Spring, 2-3/4	3
8	Z71212	Hex Bolt 5/16NC x 1-1/4	2
9	Z42152	Roller Chain, #60x74 links	1



**FX65 BRAKE ARM ASSEMBLY**

ITEM	PART NO.	DESCRIPTION	QTY
1	5011W007	Arm Frame, Anti-Tangle	1
2	5011S155	Roller, Brake Arm	1
3	5012M204	Block, Drum Brake	1
4	5011M824	Pin, Cable Roller	1
5	Z72231	Hex Lock Nut 3/8NC	1
6	Z72221	Hex Lock Nut 5/16NC	1
7	Z71315	Hex Bolt 3/8NC x 1-1/2	1



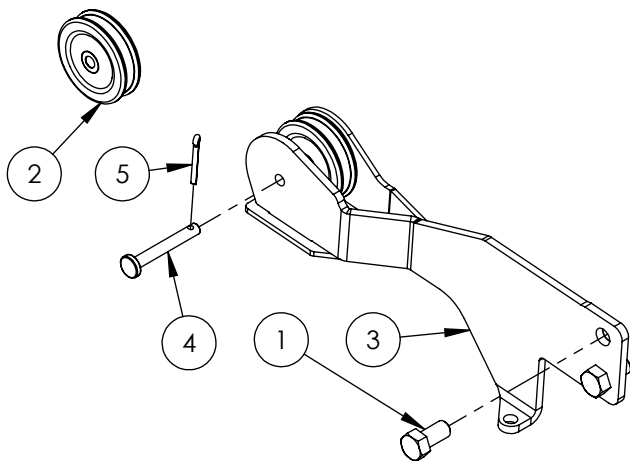


**FX65 MAIN FRAME ASSEMBLY**

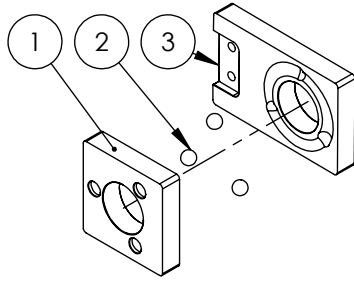
ITEM	PART NO.	DESCRIPTION	QTY
1	5011W002	Frame, Main Clutch	1
2	5011W018	PTO Spline	1
3	Z29201	Grease Fitting, 1/8NPT	1
4	Z21202	Ball Bearing 6207-RS	2
5	Z46311	Clamp-on Shaft Collar	1

**FX65 ENGAGEMENT LEVER ASSEMBLY**

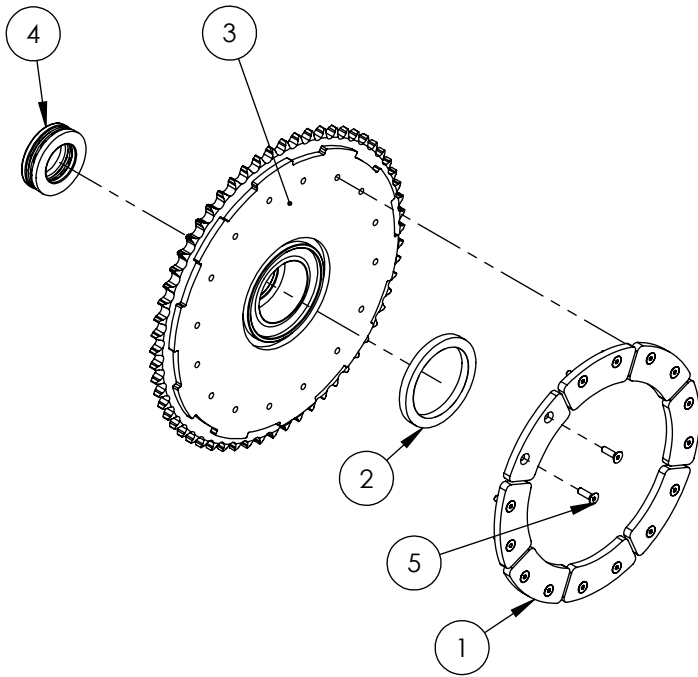
ITEM	PART NO.	DESCRIPTION	QTY
1	Z71307	Hex Bolt 3/8NC x 3/4	2
2	Z92203	1/4 Groove Pulley 2 Diam.	2
3	5011W015	Arm, Clutch Activator	1
4	Z11312	Clevis Pin 1/4 x 1-5/8	1
5	Z12311	Cotter Pin 1/8 X 1	1



### CLUTCH ASSEMBLY



ITEM	PART NO.	DESCRIPTION	QTY
1	5012M212	Clutch Engagmnet Nut	1
2	Z29101	Roller Ball, 1/2	3
3	5012M213	Clutch, Engagment Block-Handle	1

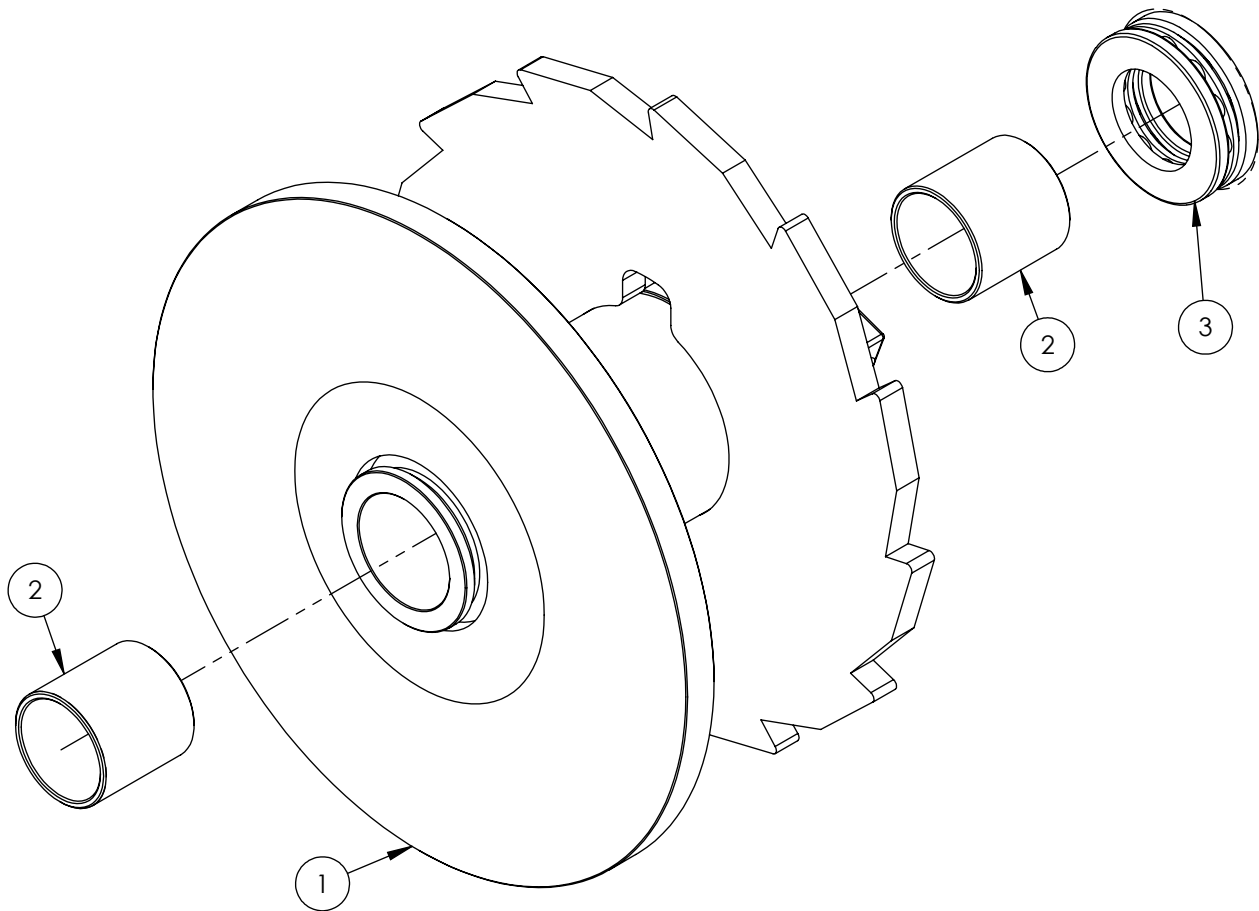


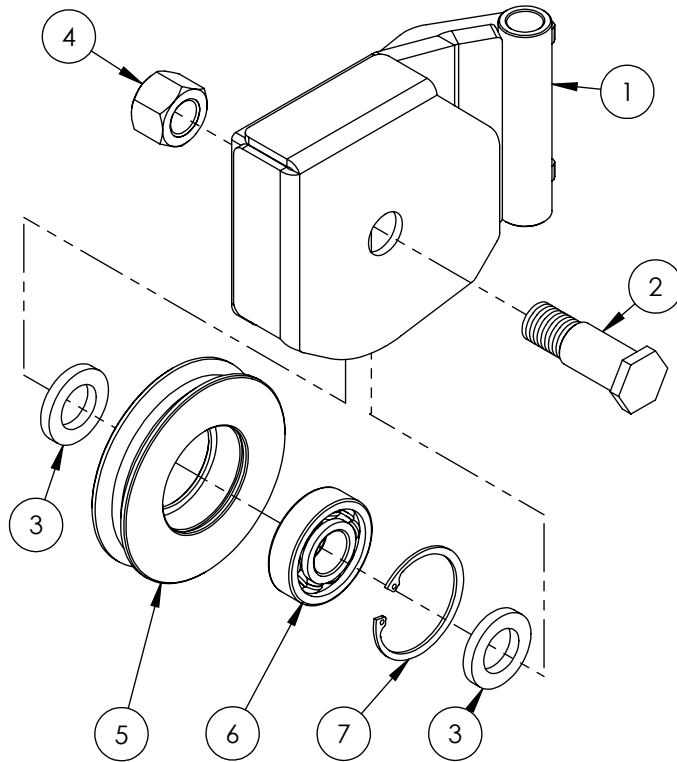
### FX65 SPROCKET ASSEMBLY

ITEM	PART NO.	DESCRIPTION	QTY
1	5011S152	Pad, Sprocket	8
2	5012M228	Nylon Bearing Washer	1
3	5012W209	60 Tooth Sprocket	1
4	Z22101	Thrust Bearing, 1-3/4 Bore	1
5	Z75211	FHCS, 1/4NC x 7/8	16

### FX65 MAIN DRUM ASSEMBLY

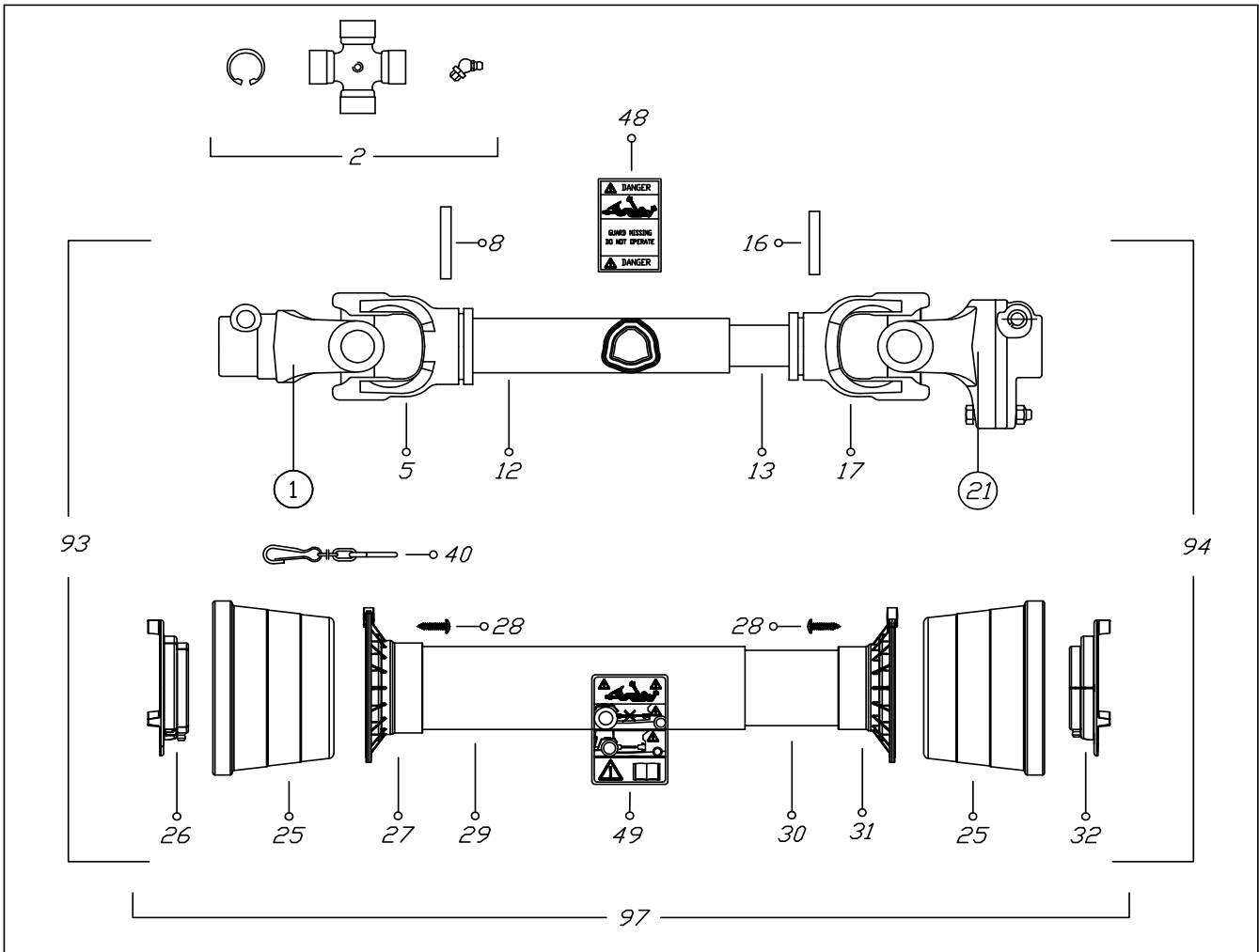
ITEM	PART NO.	DESCRIPTION	QTY
1	5011W006	Main Drum Spool	1
2	Z27101	Fiberglide Bearing 1-3/4 x 2	2
3	Z22101	Thrust Bearing, 1-3/4 Bore	1



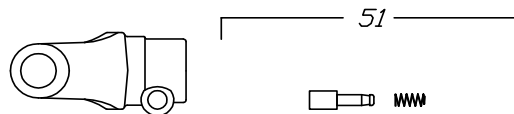


**FX65 LOWER SNATCH BLOCK**

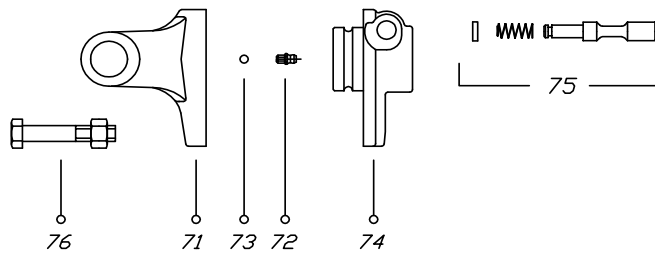
ITEM	PART NO.	DESCRIPTION	QTY
1	5011W012	Frame, Snatchblock	1
2	5011M815	Snatch Block, Pulley Pin	1
3	5011L647	Washer, Pulley Spacer - Narrow	2
4	Z72281	Hex Lock Nut 7/8NC	1
5	5011M816	Cable Pulley	1
6	Z21201	Ball Bearing 6305 RS	1
7	Z46101	Internal Retaining Ring 2-7/16	1



①



②①



VIETATE LE RIPRODUZIONI NON AUTORIZZATE  
 NOT PERMITTED AL RIGHTS RESERVED

TOUTE REPRODUCTION NON AUTORISEE EST INTERDITE  
 NICHT GENEHMIGTE VERVIELFAELTUNGEN SIND UNZULAESSIG

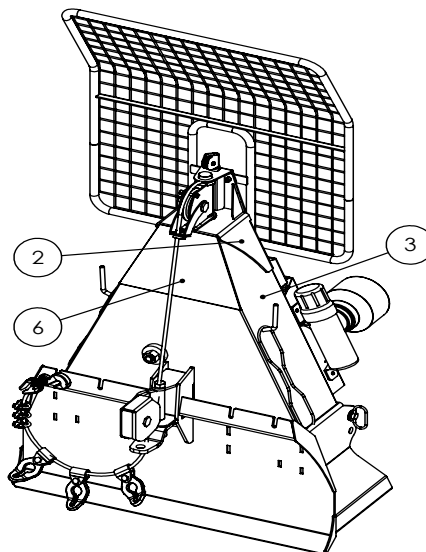
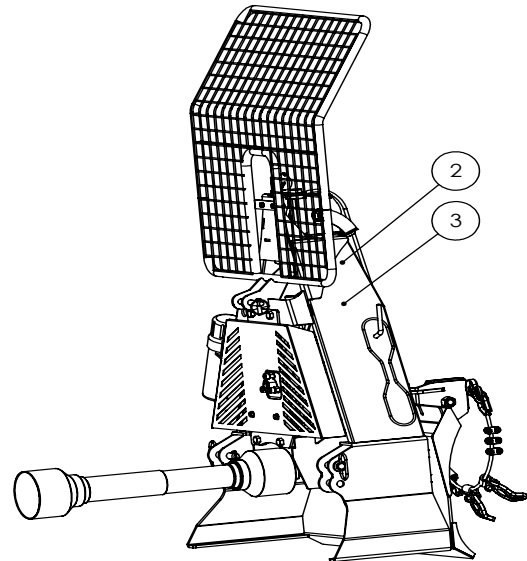
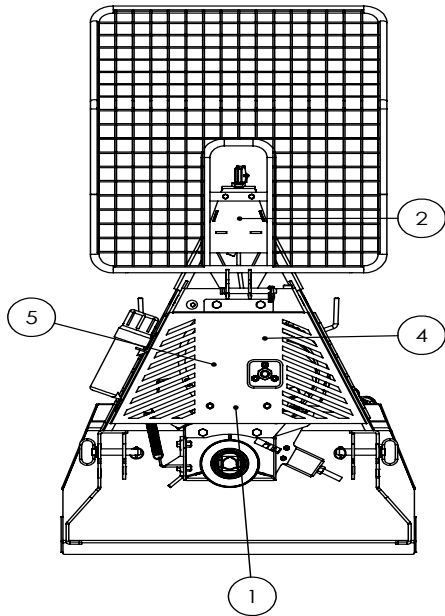
CODICE C.E.D.  
**B4N061USA60098**

DATA  
**25/03/10**

<b>Binacchi SPARE PARTS LIST : B4N061USA60098</b>			
<b>POS.</b>	<b>DESCRIPTION</b>	<b>Q.</b>	<b>Part #</b>
01	YOKE	1	0800403
02	CROSS JOURNAL ASS.	2	08204
05	OUTER TUBE YOKE	1	08004021
08	FLEXIBLE PIN	1	098700860
12	CM. 100 CARDAN TUBE(*)	1	09881433100
13	CM. 100 CARDAN TUBE(*)	1	09881364100
16	FLEXIBLE PIN	1	098700855
17	INNER TUBE YOKE	1	08004011
21	SHEAR BOLT	1	08804
25	CONE SHIELD BELL 03-04	2	021904C001
26	OUTER BEARING 03-04	1	025504C001
27	OUTER BASE CONE 03-04	1	025404C001
28	SCREW	6	0998052242
29	OUTER SAFETY TUBE	1	0988966NB4061
30	INNER SAFETY TUBE	1	0988961NB4061
31	INNER BASE CONE 03-04	1	025404C002
32	INNER BEARING 03-04	1	025504C002
40	CHAIN	1	0252000001
48	LABEL DANGER OUTER DRIVE TUBE	1	09872006
49	EXTERNAL SHIELD LABEL	1	09872003
51	COMPLETE PUSH BUTTTON	1	0986014047
71	YOKE FOR LB4	1	08896904
72	GREASE NIPPLE	1	0984010150
73	STEEL BALL	23	098680104
74	HUB	1	088964
75	PUSH PIN SET	1	0986014075
76	NUT AND BOLT M8 x 1.25 x 45 10.9	1	Z44902
93	OUTER HALF SHAFT	1	B4N061US2
94	INNER HALF SHAFT	1	B4N061US1098
97	SAFETY GUARD	1	083US04061

### FX65 SKIDDING WINCH DECAL BREAKDOWN

ITEM	PART NO.	DESCRIPTION	QTY
1	Z94042	Rotating Driveline Hazard	1
2	Z94019	Made in Canada	3
3	Z94043	Flying Object Hazard	2
4	Z94058	Clutch Adjustment	1
5	Z94041	Read Manual	1
6	Z94004	FX65 - Wallenstein	1





# FX65 Decals

Z94042



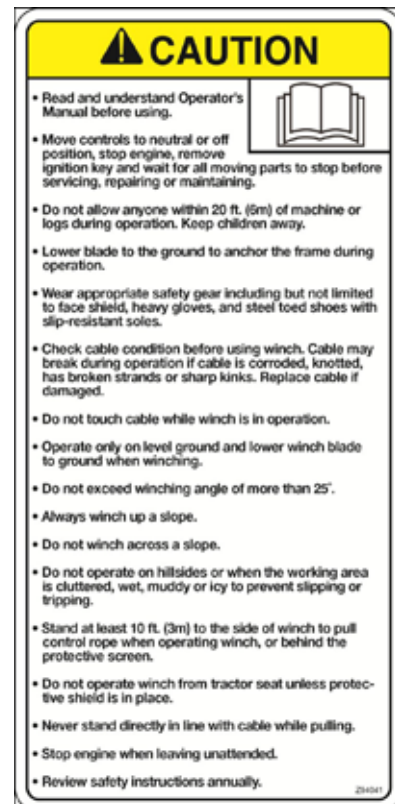
Z94043



Z94004



Z94041



Z94058

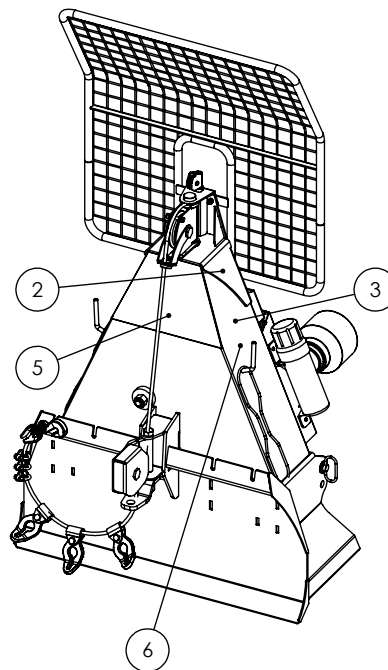
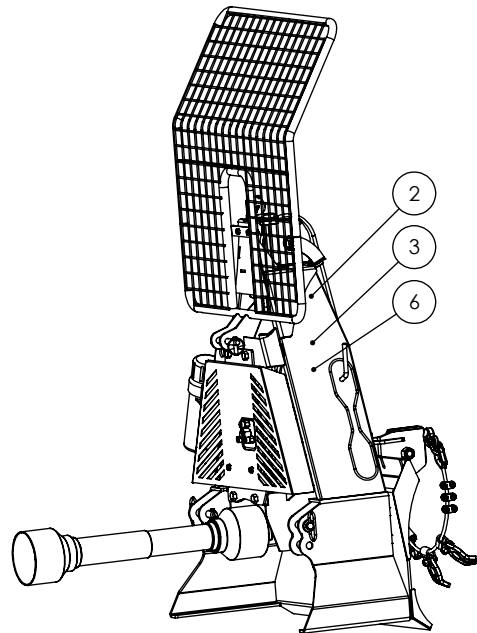
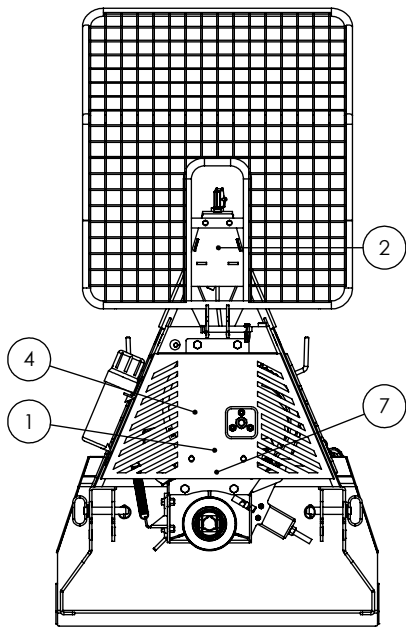


Z94019



## TWO PANEL FX65 SKIDDING WINCH DECAL BREAKDOWN

ITEM	PART NO.	DESCRIPTION	QTY
1	Z94118	Rotating Driveline Hazard	1
2	Z94019	Made in Canada	3
3	Z94114	Flying Object Hazard	2
4	Z94119	Read Manual	1
5	Z94004	FX65 - Wallenstein	1
6	Z94160	Winch Operation	2
7	Z94161	Max RPM	1



# Two Panel FX65 Decals

Z94019



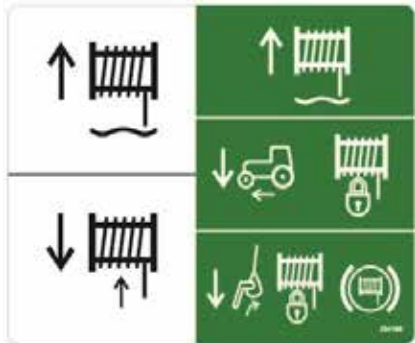
Z94118



Z94119



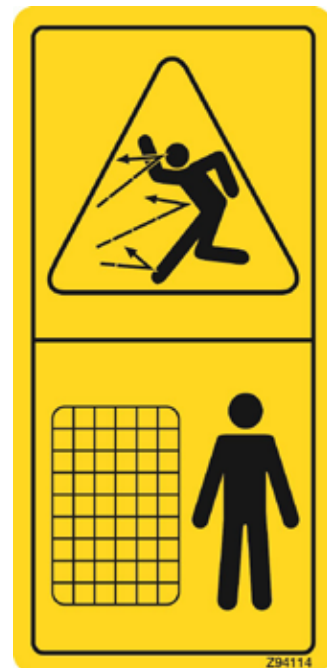
Z94160



Z94161



Z94114



Z94004





**WALLENSTEIN Products Manufactured by:**

**EMB MFG Inc.**

4144 Boomer Line  
St. Clements, Ontario  
Canada N0B 2M0  
Phone: 1-877-695-9283  
Fax: 519-699-4146  
[www.embmfg.com](http://www.embmfg.com)