



# WX450 Skidsteer Splitter Parts Manual

S/N 24505 to S/N 24508



## Foreword

EMB Mfg. has prepared this parts manual to assist customers in ordering quality OEM replacement parts.

Proper and regular service and replacing old, worn or broken parts with the correct Wallenstein parts are essential to prolonging the life of your Wallenstein product. Please refer to this manual before ordering any replacement parts.

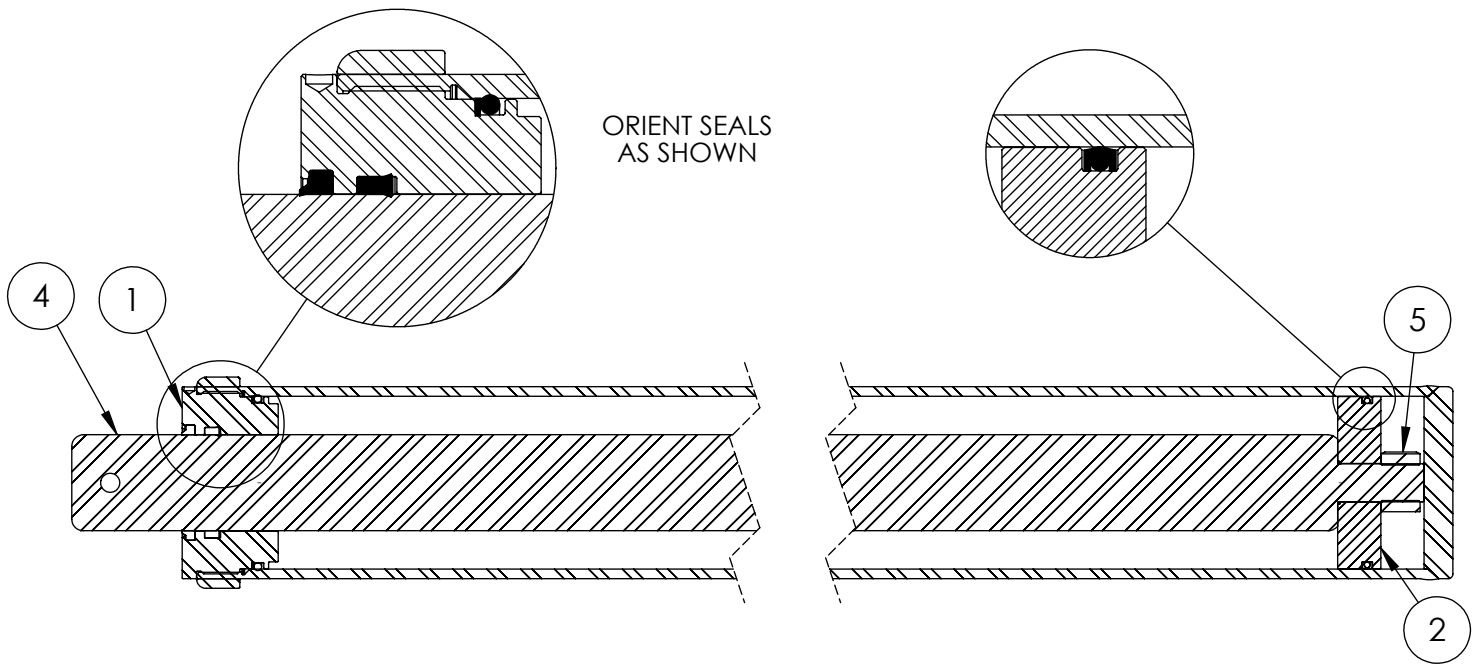
All information contained in this parts manual is based on the latest product specification available at the time of printing this manual. If your product differs from the specifications contained within this manual contact EMB Mfg. for information.

EMB reserves the right to alter specifications on their products at any time.

Reproduction of this parts manual of any kind is prohibited without prior written permission from EMB Mfg.

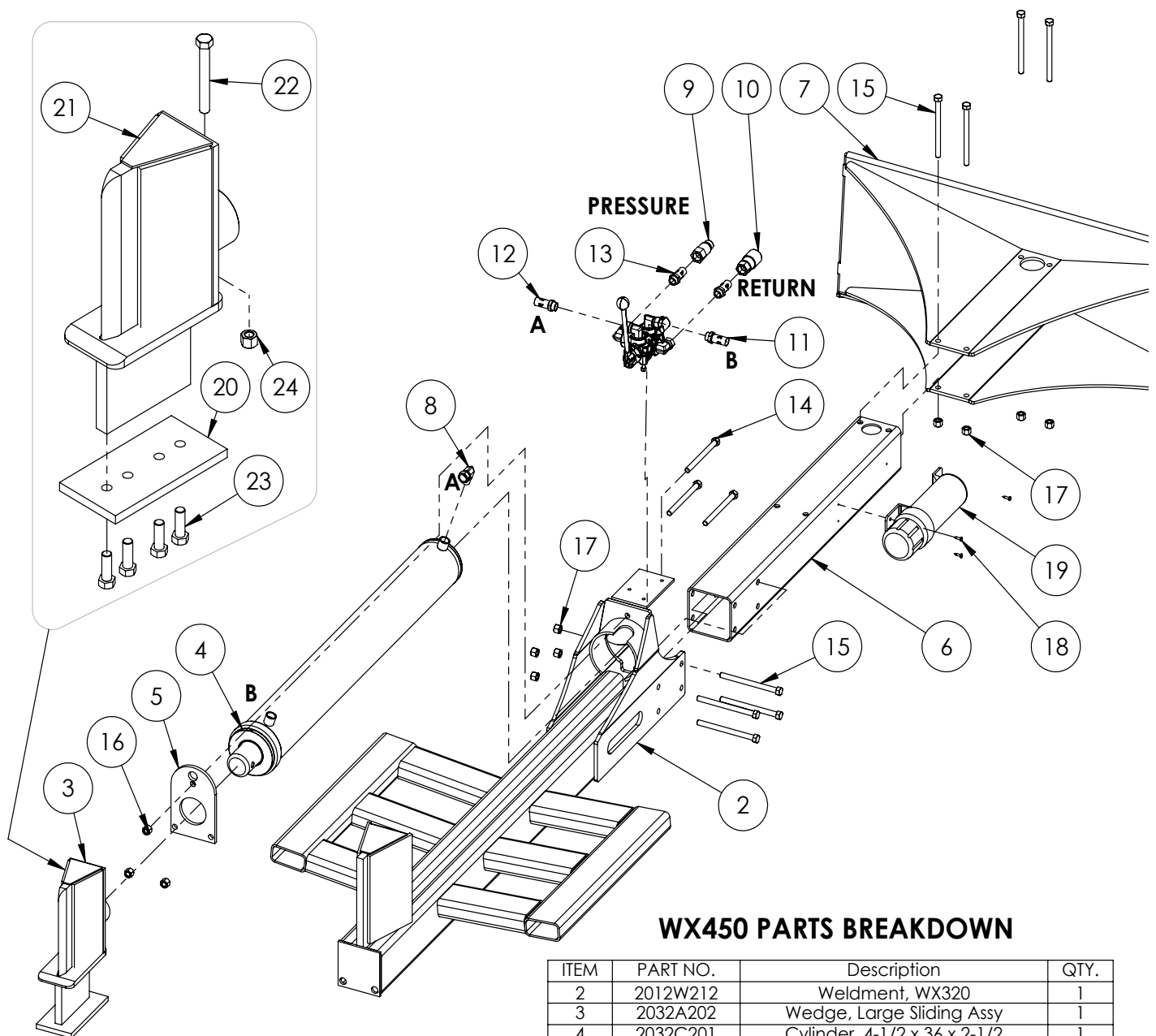
# Table of Contents

Cylinder	4
Main Parts	5
Valve	6
Valve and Fittings	8
4-Way Wedge (Optional)	9
Decal Breakdown	10



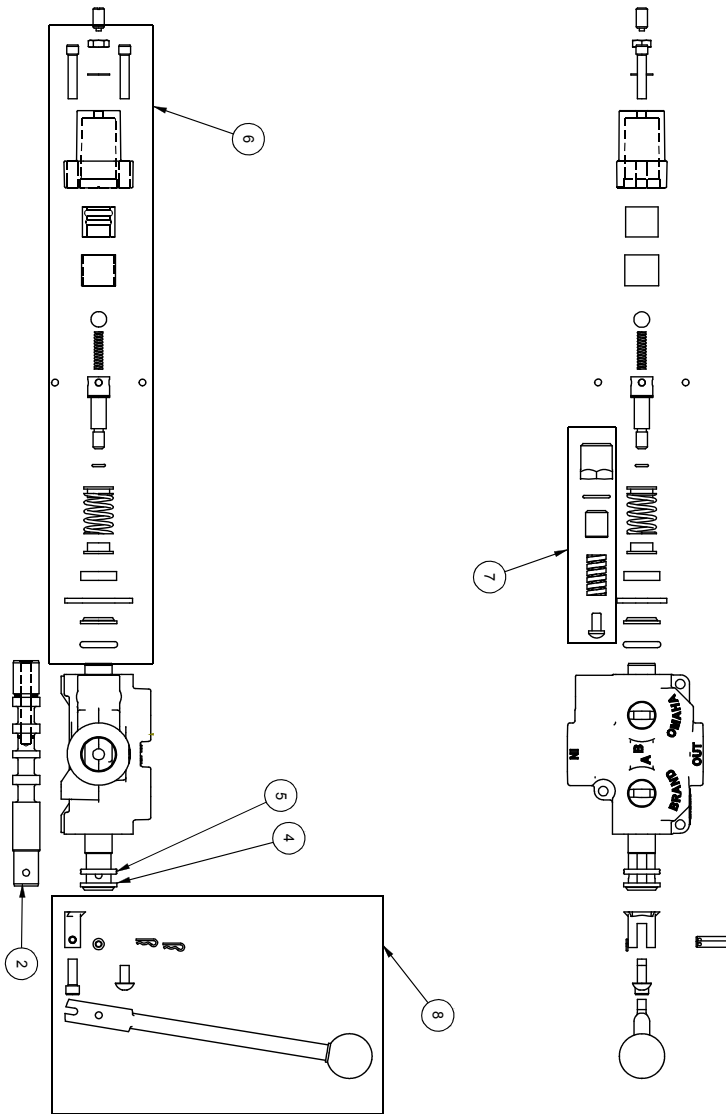
### 4-1/2" x 36" STROKE CYLINDER PARTS

ITEM	PART NO.	DESCRIPTION	QTY
1	G450-250SA	4-1/2" Bore x 2-1/2" Rod Gland With Seals	1
2	P100-450SA	4-1/2" Bore Piston With Seals	1
3	2032C2011	Barrel, 4-1/2"	1
4	2032C2013	Rod, 2-1/2x 1	1
5	Z72292G8	Hex Lock Nut 1NF Grade 8	1
6	SLK-4525	Seal Kit, 4-1/2 x 2-1/2	1



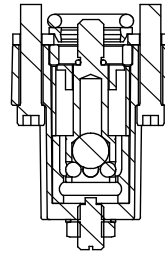
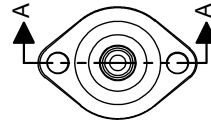
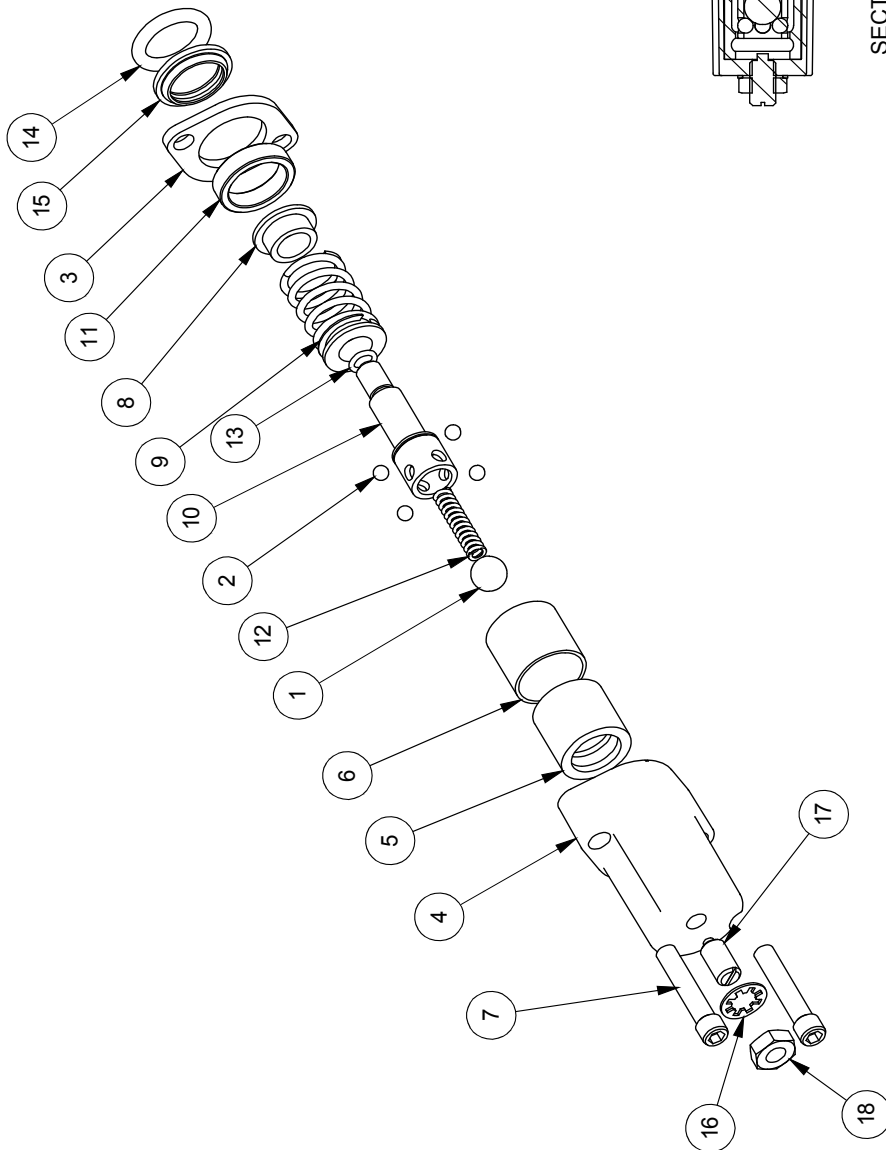
**WX450 PARTS BREAKDOWN**

ITEM	PART NO.	Description	QTY.
2	2012W212	Weldment, WX320	1
3	2032A202	Wedge, Large Sliding Assy	1
4	2032C201	Cylinder, 4-1/2 x 36 x 2-1/2	1
5	2032S213	Plate, Cylinder Retaining	1
6	2032S214	Tube, WX430	1
7	2032W206	Weldment, Skidsteer Mount Plate	1
8	Z51331	Elbow 90 MP x FPX 0808	1
9	Z51919	Flat-Face,FP08 x Male ISO16028	1
10	Z51920	Flat Face FP08 x Fem ISO 16028	1
11	Z52301	1/2 Hose MP08 x MP08 x 16"	1
12	Z52303	1/2 Hose,1/2MP x 1/2MP x 36"	1
13	Z52312	1/2 Hose, 1/2MPx1/2MPx 96"	2
14	Z71560	Hex Bolt 1/2NC x 6	3
15	Z71565	Hex Bolt, 1/2NC x 6-1/2	8
16	Z72251	Hex Lock Nut 1/2NC	3
17	Z72251	Hex Lock Nut 1/2NC	8
18	Z76721	Self-tapping Screw	3
19	Z96503	Manual Tube 3-1/2 Short	1
ITEM	PART NO.	Description	QTY.
20	2014S414	Plate, Sliding Wedge Capture	1
21	2032W203	Wedge, Large Sliding	1
22	Z71540	Hex Bolt 1/2NC x 4	1
23	Z71576	Hex Bolt 1/2NF x 1-1/2	4
24	Z72251	Hex Lock Nut 1/2NC	1

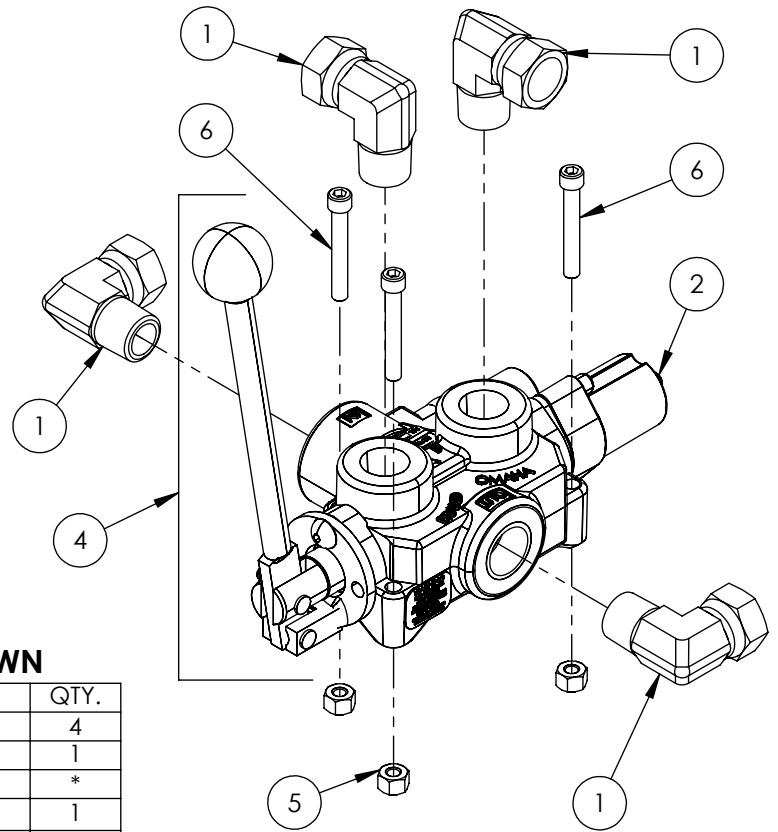


ITEM NO.	QTY.	PART NO.	DESCRIPTION
1	1	A0CASTB	AO CASTING
2	1	LS304T4J	SPOOL
3	1	P1740	NAME TAG
4	1	SF305	WIPER
5	1	SF304	QUAD RING
6	1	SUBLS	SUBLS
	1	B5057	7/16 BALL
	4	DC7604	3/16 BALL
	1	SF306	RETAINER
	1	SF477L	SHLS ENDCAP
	1	XDC67Z	LS SLEEVE
	1	SF483	SPACER
	2	SF486	ALLEN SCREW
	2	SF489	CENTER STOP
	1	SF490	CENTERING SPRING
	1	SF492	HOUSING
	1	SF315	SPACER
	1	LS305	DETENT SPRING
	1	DC7583	O-RING 3.902
	1	SF496	O-RING .BLUE. METRIC
	1	LS306	LS WIPER
	1	SF502	5/16 LOCK WASHER
	1	SF503	PLUNGER SPRING
	1	SF504	5/16 HEX JAM NUT
7	1	SUB-R	RELIEF
	1	P1603	CAP NUT
	1	SF322	O-RING 2.016
	1	SF364A	ADJ SCREW
	1	B505	SPRING
	1	SF361A	POPET
	1	Z56915	HANDLE KIT
8	1	SF377	RETAINER
	1	SF376	SEAL RETAINER
	1	SF367A	CL EVIS
	1	SF368	HANDLE
	2	SF369	PIN
	2	P1767	PIN CLIP
	1	HP5	MACH. SCREW
	1	SF311	KNOB
	1	SF308	CAP SCREW
	1	SF303T4J	SPOOL
9	1	P1654	WARNING TAG

ITEM NO.	QTY.	PART NO.	DESCRIPTION
1	1	B5057	7/16 BALL
2	4	DC7604	3/16 BALL
3	1	SF306	RETAINER
4	1	SF477L	SH LS ENDCAP
5	1	SF480	SD SLEEVE
6	1	SF483	SPACER
7	2	SF486	ALLEN SCREW
8	2	SF489	CENTER STOP
9	1	SF490	CENTERING SPRING
10	1	SF492	HOUSING
11	1	SF315	SPACER
12	1	LS305	DETENT SPRING
13	1	DC7583	O-RING 3-902
14	1	SF496	METRIC O-RING
15	1	LS306	LS WIPER
16	1	SF502	5/16 LOCK WASHER
17	1	SF503	SPRING PLUNGER
18	1	SF504	5/16 HEX JAM NUT



SECTION A-A

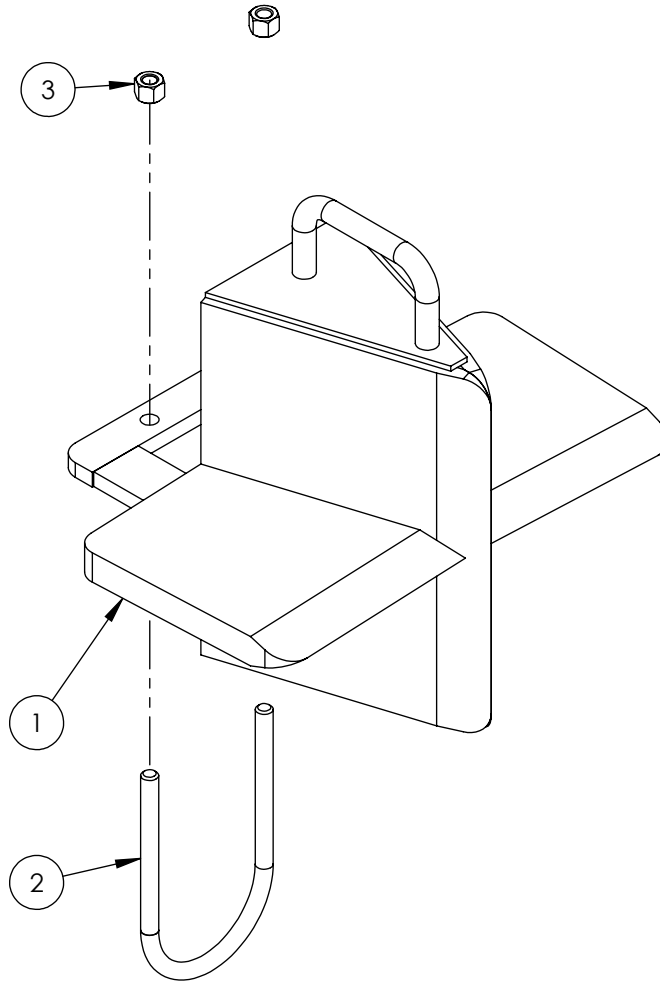


**VALVE AND FITTINGS PARTS BREAKDOWN**

ITEM	PART NO.	Description	QTY.
1	Z51331	Elbow 90 MP x FPX 0808	4
2	Z56209	Valve, Single Function Detent	1
3	*Z56210*	Valve, Closed Center	*
4	Z56915	Complete Handle Kit for Z56209	1
5	Z72111	Hex Lock Nut 1/4NC	3
6	Z75114	SHCS, 1/4NC x 1-3/4	3

\*CLOSED CENTER VALVE REQUIRED FOR "C" MODELS.\*



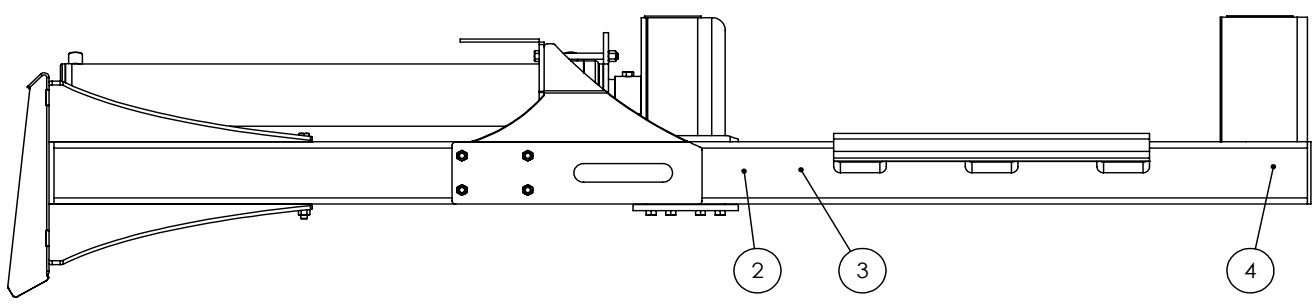
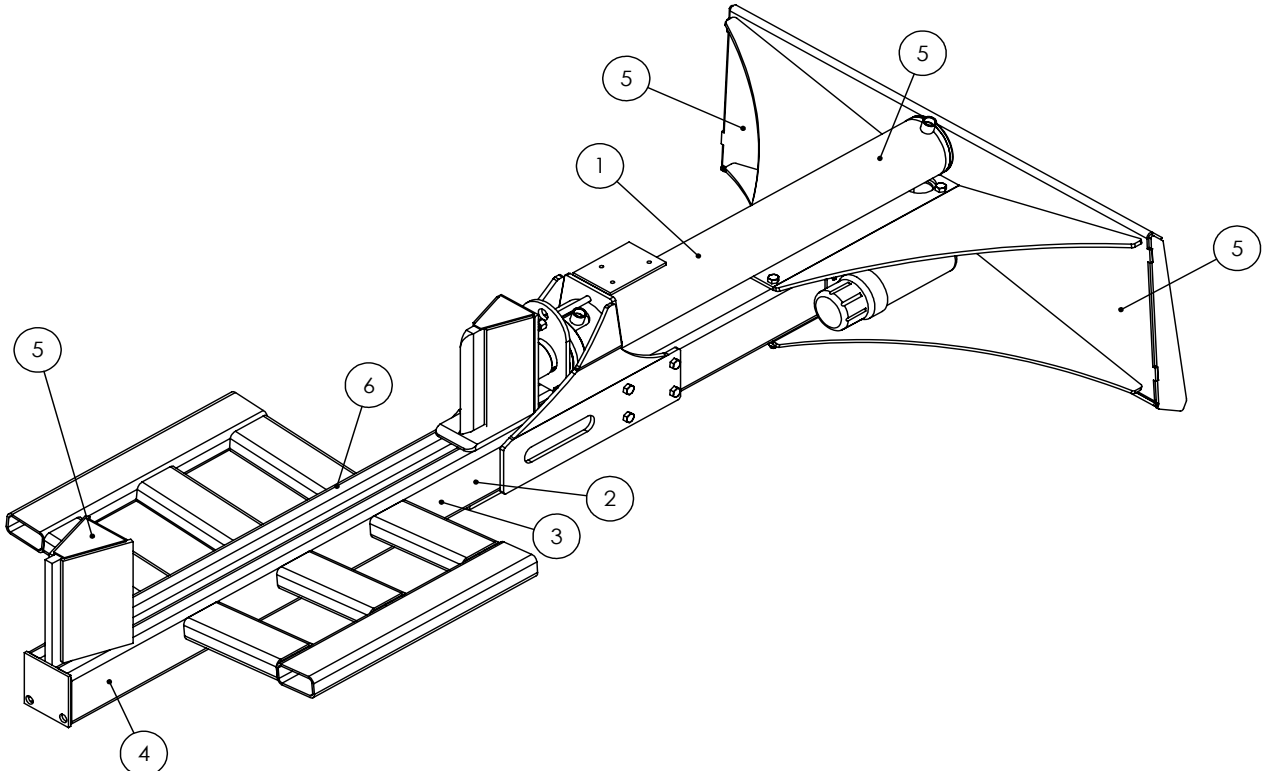


### W4130 4-Way Wedge (Optional)

ITEM	PART NO.	DESCRIPTION	QTY
1	2082W301	Weldment, Main 4-Way	1
2	2082S307	U-Bolt, 3 x 4	1
3	772231	Hex Lock Nut 3/8NC	2

### WX450 DECAL BREAKDOWN

ITEM	PART NO.	DESCRIPTION	QTY
1	Z94039	CAUTION - Read Manual	1
2	Z94040	WARNING - Moving Wedge	2
3	Z94067	Clear Guide	2
4	Z94056	Wallenstein	2
5	Z94019	Made in Canada	4
6	Z94066	Apply Oil or Grease	1



# Skidsteer Splitter Decals

Z94056



Z94067



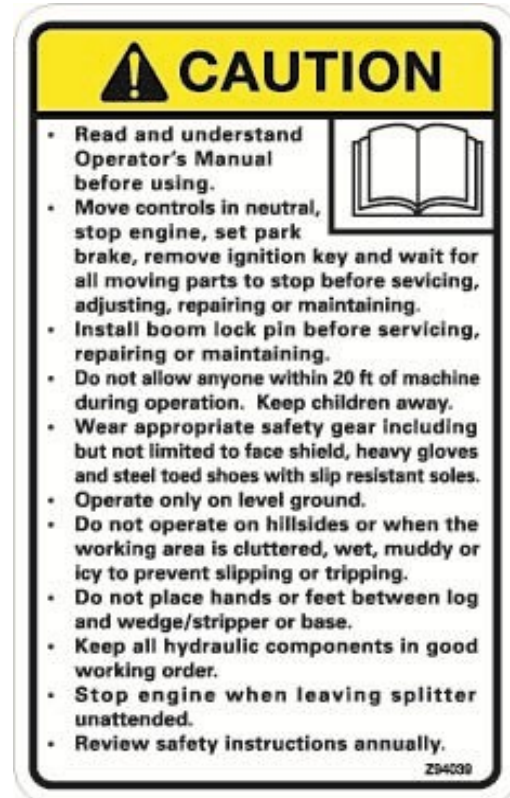
Z94019



Z94066



Z94039



Z94040





**WALLENSTEIN Products Manufactured by:**

**EMB MFG Inc.**

4144 Boomer Line  
St. Clements, Ontario  
Canada N0B 2M0  
Phone: 1-877-695-9283  
Fax: 519-699-4146  
[www.embmfg.com](http://www.embmfg.com)