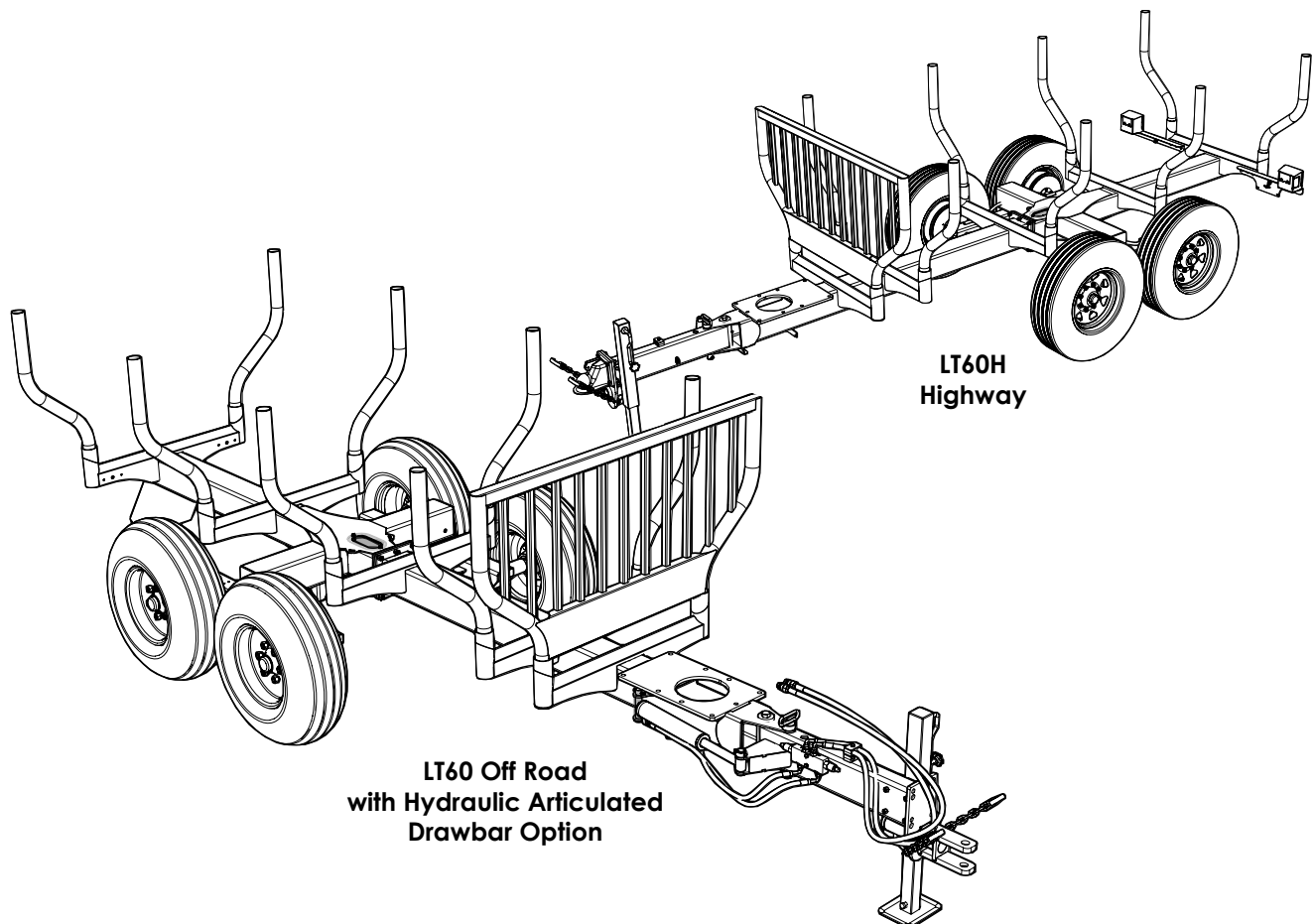




EMB Manufacturing Inc.  
4144 Boomer Line · St. Clements, On · N0B 2M0 · Canada  
Ph: (519) 699-9283 · Fax: (519) 699-4146  
www.embmfg.com

# LT60 Timber Talon Log Trailer Parts Manual

LT60H starting with S/N 2E9US1110DS060001-2E9US1113FS060031  
LT60 starting with S/N 60T1 to 60T13



# Table of Contents

<b>Contents</b>	
<b>LX115 / LT60 VARIATION CHART.....</b>	<b>3</b>
<b>MAIN FRAME ASS'Y .....</b>	<b>4</b>
<b>AXLE ASS'Y.....</b>	<b>5</b>
<b>TONGUE ASS'Y.....</b>	<b>6</b>
<b>TAIL ASS'Y.....</b>	<b>6</b>
<b>HUB ASS'Y.....</b>	<b>7</b>
<b>BRAKE DRUM ASS'Y.....</b>	<b>7</b>
<b>ELECTRIC BRAKE ASS'Y.....</b>	<b>8</b>
<b>HYDRAULIC DRAWBAR OPTION .....</b>	<b>9</b>
<b>HYDRAULIC DRAWBAR SCHEMATIC .....</b>	<b>9</b>
<b>CYLINDER SEAL INSTALLATION .....</b>	<b>10</b>
<b>HYDRAULIC DRAWBAR CYLINDER .....</b>	<b>10</b>
<b>ELECTRICAL SCHEMATIC .....</b>	<b>11</b>
<b>LABELS .....</b>	<b>12</b>
<b>ACCESSORIES.....</b>	<b>13</b>

## Foreword

EMB Mfg. has prepared this parts manual to assist customers in ordering quality OEM replacement parts.

Proper and regular service and replacing old, worn or broken parts with the correct OEM parts are essential to prolonging the life of your EMB product. Please refer to this manual before ordering any replacement parts.

All information contained in this parts manual is based on the latest product specification available at the time of printing this manual. If your product differs from the specifications contained within this manual contact EMB Mfg. for information.

EMB reserves the right to alter specifications on their products at any time.

Reproduction of this parts manual of any kind is prohibited without prior written permission from EMB Mfg.



Refer to the operators manual for safe operation and maintenance

For parts and information please contact your dealer. If your dealer is no longer available please go to our website: <http://www.embmfg.com> and click on "FIND A DEALER NEAR YOU" for information on a local dealer.

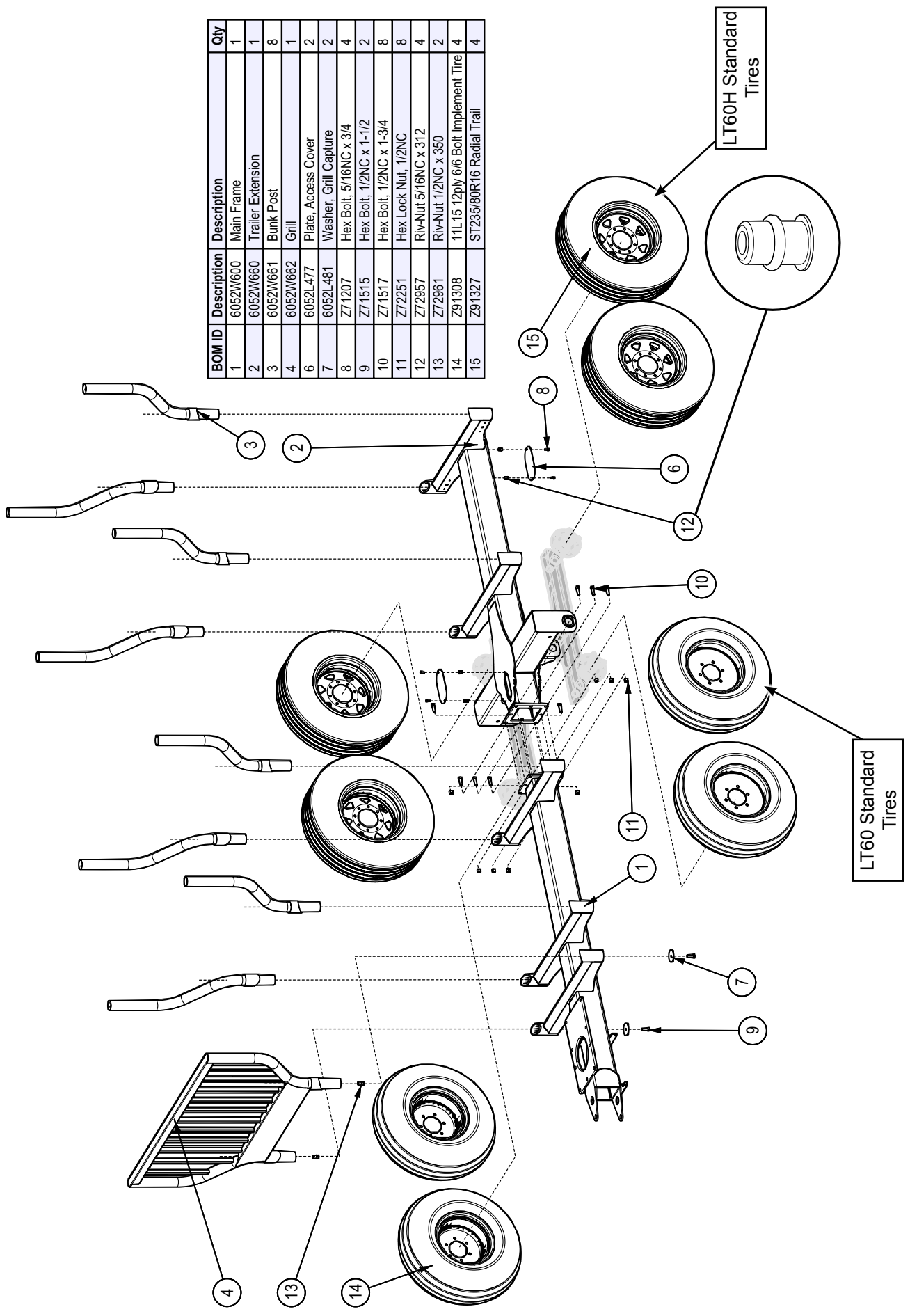
**LX115 / LT60 Variation Chart**

The LX / LT series of Timber Talon Grapples and Log Trailers are available with different options and features. Use the chart below to identify your particular model when ordering parts.

<b>LX115 / LT60 Timber Talon Comparison Chart</b>		<b>Boom Mounting Combination</b>		<b>Options</b>			
				<i>Three Point Hitch</i>	<i>Trailer / Bunk Posts</i>	<i>Dual Speed Winch</i>	<i>Highway Kit</i>
	Grapple Boom	LX115	X				
	Grapple Boom Off Road Trailer	LX115	LT60		✓		
	Grapple Boom Trailer - Highway Kit	LX115	LT60H		✓		✓
	Grapple Boom 3 Point Hitch Kit	LX115	L400	✓			
Winch Models	Grapple Boom with Winch	LX115W	X			✓	
	Grapple Boom with Winch Off Road Trailer	LX115W	LT60		✓	✓	
	Grapple Boom with Winch Trailer - Highway Kit	LX115W	LT60H		✓	✓	✓
	Grapple Boom with Winch 3 Point Hitch Kit	LX115W	L400	✓		✓	

Main Frame Ass'y

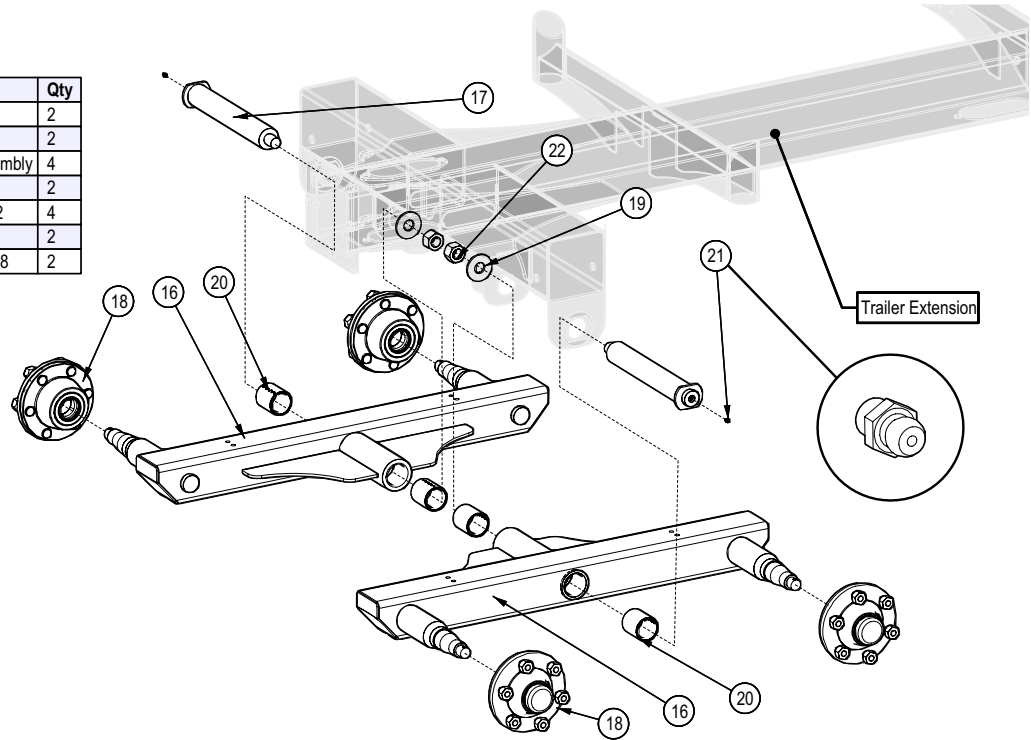
BOM ID	Description	Description	Qty
1	6052W600	Main Frame	1
2	6052W660	Trailer Extension	1
3	6052W661	Bunk Post	8
4	6052W662	Grill	1
6	6052L477	Plate, Access Cover	2
7	6052L481	Washer, Grill Capture	2
8	Z71207	Hex Bolt, 5/16NC x 3/4	4
9	Z71515	Hex Bolt, 1/2NC x 1-1/2	2
10	Z71517	Hex Bolt, 1/2NC x 1-3/4	8
11	Z72251	Hex Lock Nut, 1/2NC	8
12	Z72957	Riv-Nut 5/16NC x 3/2	4
13	Z72961	Riv-Nut 1/2NC x 3/50	2
14	Z91308	11L15 12ply 6/6 Bolt Implement Tire	4
15	Z91327	ST235/80R16 Radial Trail	4



**Axle Ass'y**

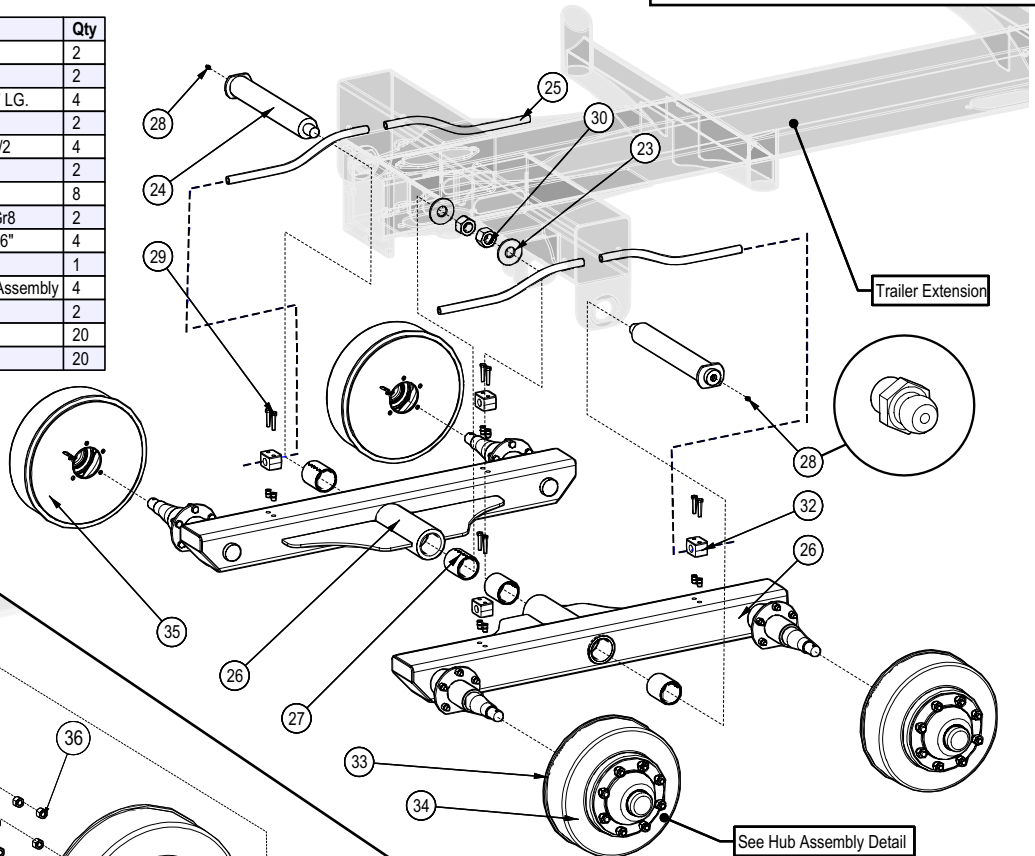
Model LT60

BOM ID	Description	Description	Qty
16	6052W652	Rocker Axle	2
17	6052W657	Pin, Axle Main	2
18	Z91213	5000# 6/6 Idler Hub Assembly	4
19	6052L247	Washer, Axle Pivot	2
20	Z27251	Connex Bushing 2 x 2-1/2	4
21	Z29202	Grease Zerk 1/4NF	2
22	Z72292G8	Hex Lock Nut, 1-12NF Gr8	2

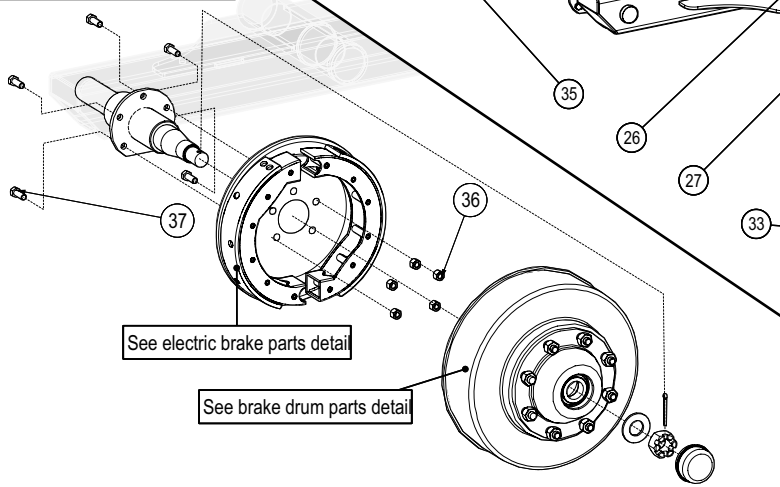


Model LT60H

BOM ID	Description	Description	Qty
23	6052L247	Washer, Axle Pivot	2
24	6052W657	Pin, Axle Main	2
25	6089S350	3/8" Hydraulic Hose, 16" LG.	4
26	6089W370	Highway Rocker Axle	2
27	Z27251	Connex Bushing 2 x 2-1/2	4
28	Z29202	Grease Zerk 1/4NF	2
29	Z71115	Hex Bolt, 1/4NC x 1-1/2	8
30	Z72292G8	Hex Lock Nut, 1-12NF Gr8	2
32	Z79454	Single Hose Clamp 11/16"	4
33	Z91702	Electric Brake, 2x12 LH	1
34	Z91711	3500# Brake Drum 12" Assembly	4
35	Z91712	Electric Brake, 2x12 RH	2
36	Z71310	Hex Bolt, 3/8NC x 1	20
37	Z72231	Hex Lock Nut, 3/8NC	20



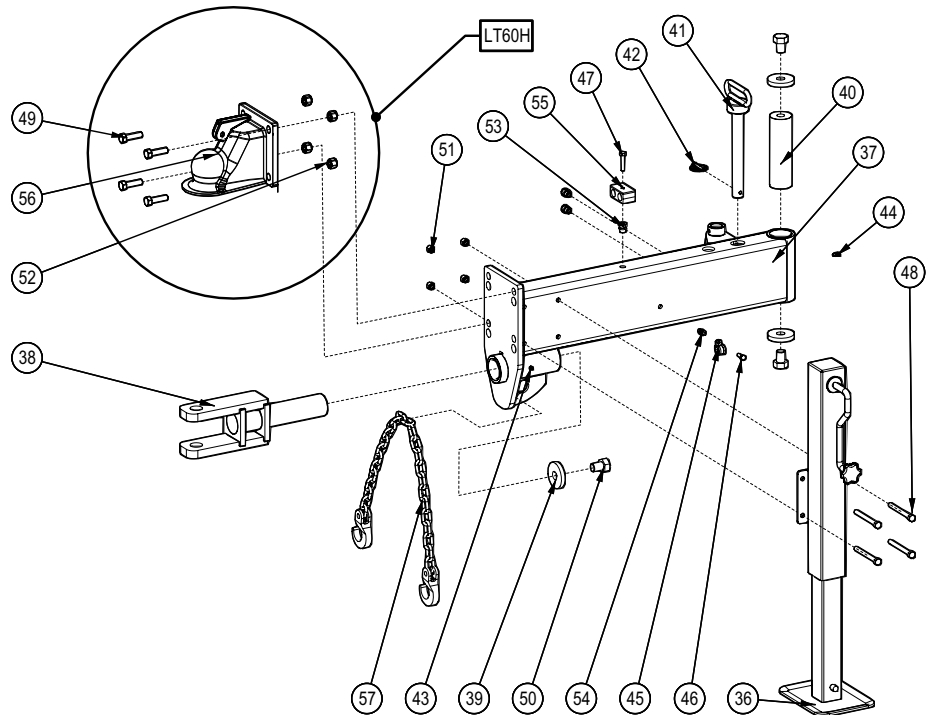
**Hub Ass'y Detail**



See Hub Assembly Detail

**Tongue Ass'y**

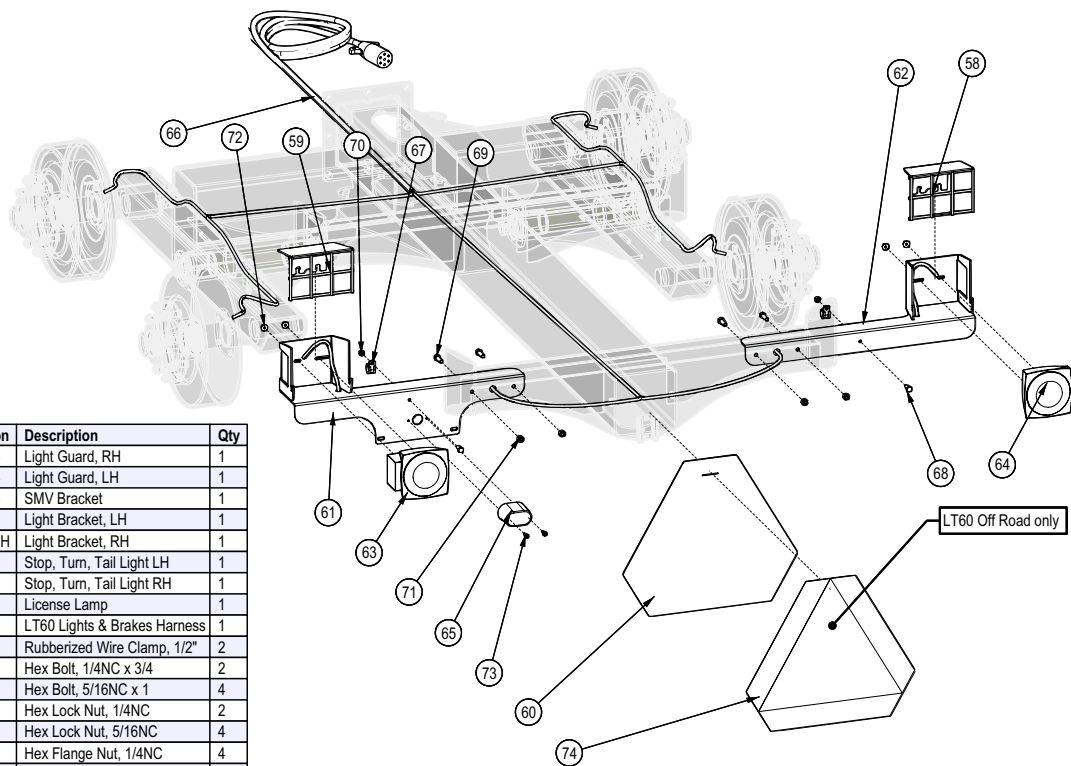
BOM ID	Description	Description	Qty
36	2071W116	Drop Leg Jack Assembly	1
37	6052W654	Tongue	1
38	6052W655	Hitch	1
39	6052L227	Washer, Hitch Capture	3
40	6052M210	Pin, Tongue Pivot	1
41	Z11263	Hitch Pin 1 x 7-1/2 (Rubber)	1
42	Z12110	Latch Pin, 3/16	1
43	Z29202	Grease Zerk 1/4NF	1
44	Z29203	Grease Zerk 90, 1/4NF	1
45	Z62819	Rubberized Wire Clamp, 1/2"	1
46	Z71107	Hex Bolt, 1/4NC x 3/4	1
47	Z71215	Hex Bolt, 5/16NC x 1-1/2	1
48	Z71337	Hex Bolt, 3/8NC x 3-3/4	4
49	Z71517	Hex Bolt, 1/2NC x 1-3/4	4
50	Z71783	Hex Bolt, 3/4NF x 1	3
51	Z72231	Hex Lock Nut, 3/8NC	4
52	Z72251	Hex Lock Nut, 1/2NC	4
53	Z72957	Riv-Nut 5/16NC x 312	3
54	Z72962	Riv-Nut, 1/4NC x 260	1
55	Z79463	Double Hose Clamp 11/16"	1
56	Z91618	2-5/16" Hitch Coupler 12000#	1
57	Z92309	Heavy Duty Safety Chain 1/4" x 5'	1



**Tail Ass'y**

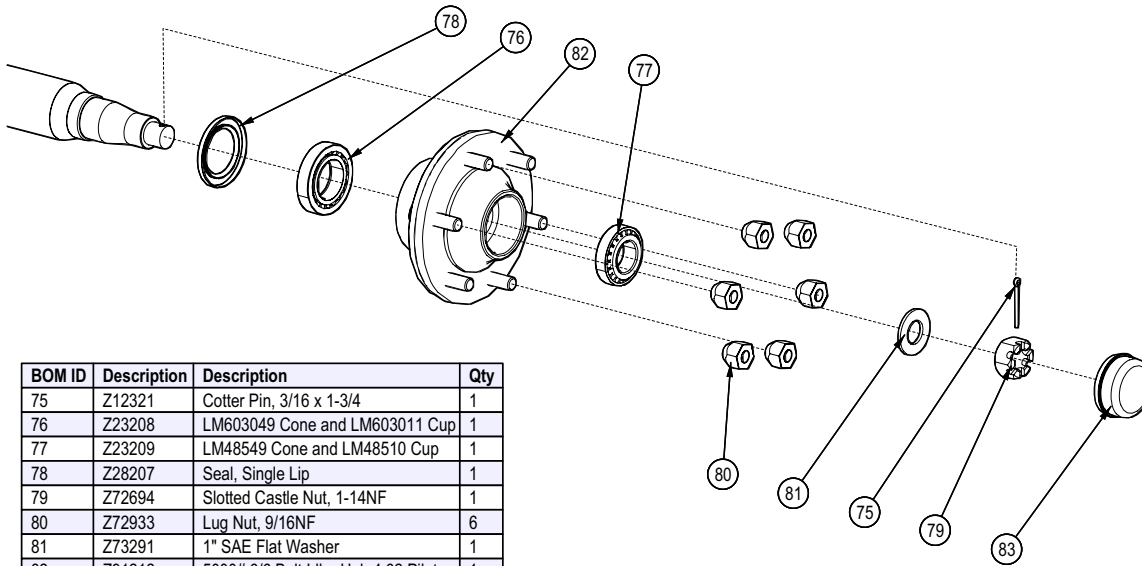
Model LT60H

BOM ID	Description	Description	Qty
58	2054W403	Light Guard, RH	1
59	2054W404	Light Guard, LH	1
60	6050W163	SMV Bracket	1
61	6089W371	Light Bracket, LH	1
62	6089W371H	Light Bracket, RH	1
63	Z61106	Stop, Turn, Tail Light LH	1
64	Z61107	Stop, Turn, Tail Light RH	1
65	Z61301	License Lamp	1
66	Z62112	LT60 Lights & Brakes Harness	1
67	Z62819	Rubberized Wire Clamp, 1/2"	2
68	Z71107	Hex Bolt, 1/4NC x 3/4	2
69	Z71210	Hex Bolt, 5/16NC x 1	4
70	Z72211	Hex Lock Nut, 1/4NC	2
71	Z72221	Hex Lock Nut, 5/16NC	4
72	Z72511	Hex Flange Nut, 1/4NC	4
73	Z76712	Self-tapping Screw #10	2
74	Z94601	Decal, SMV	1



**Hub Ass'y**

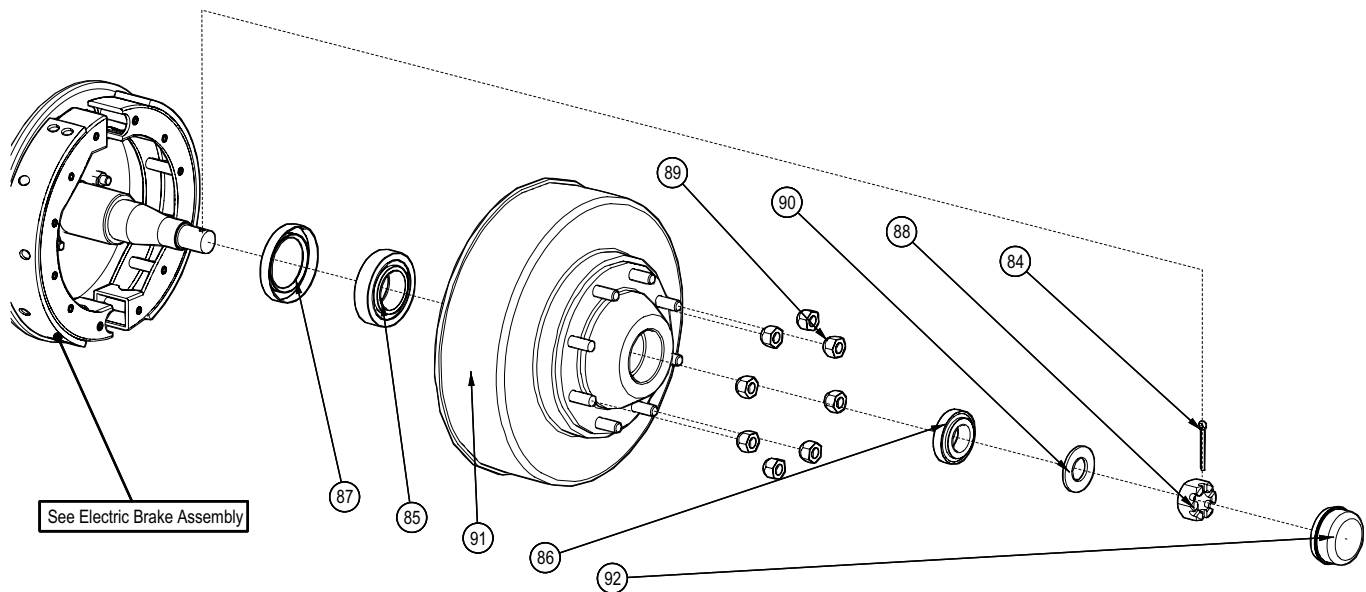
Model LT60



BOM ID	Description	Description	Qty
75	Z12321	Cotter Pin, 3/16 x 1-3/4	1
76	Z23208	LM603049 Cone and LM603011 Cup	1
77	Z23209	LM48549 Cone and LM48510 Cup	1
78	Z28207	Seal, Single Lip	1
79	Z72694	Slotted Castle Nut, 1-14NF	1
80	Z72933	Lug Nut, 9/16NF	6
81	Z73291	1" SAE Flat Washer	1
82	Z91212	5000# 6/6 Bolt Idler Hub 4.62 Pilot	1
83	Z91807	Dust Cap 2.56 Bore	1

**Brake Drum Ass'y**

Model LT60H

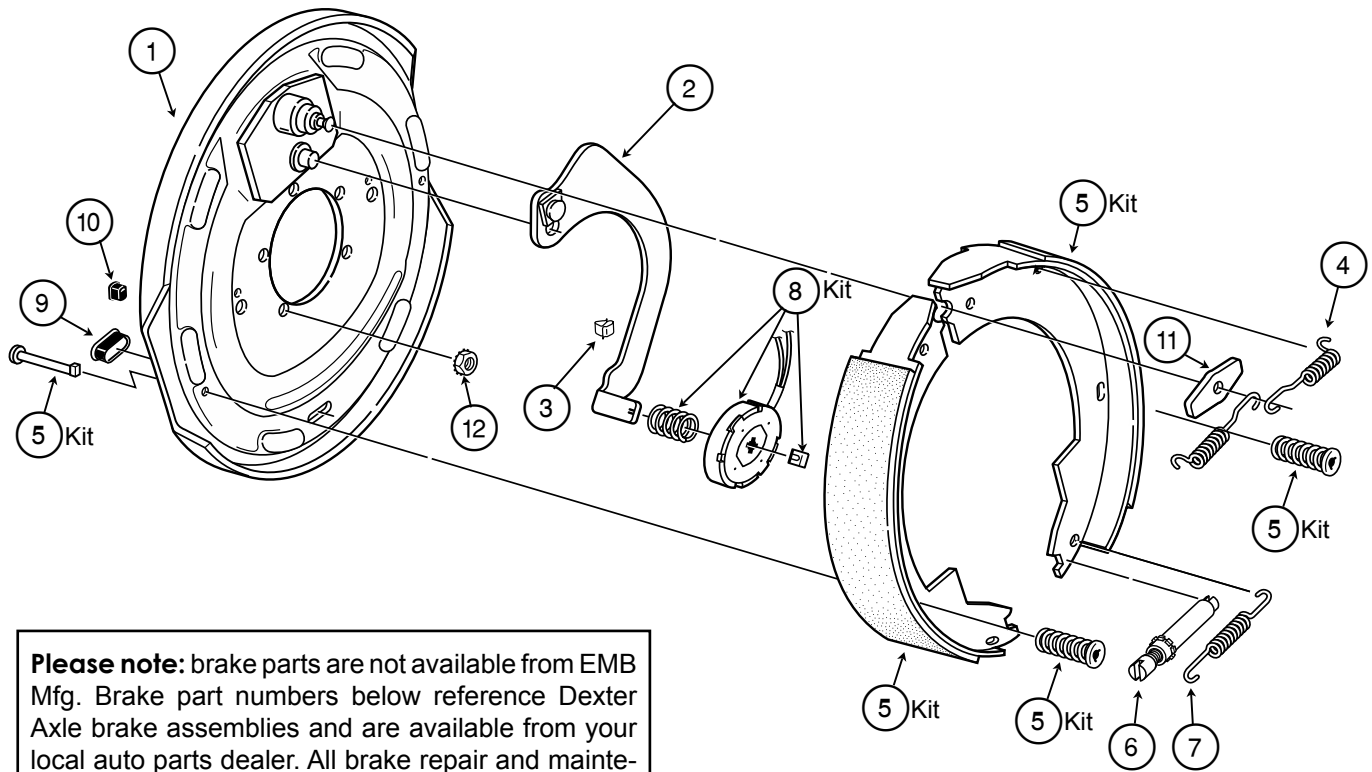


See Electric Brake Assembly

BOM ID	Description	Description	Qty
84	Z12321	Cotter Pin, 3/16 x 1-3/4	1
85	Z23206	25580 Cone and 25520 Cup	1
86	Z23207	LM67048 Cone and LM67010 Cup	1
87	Z28203	Seal, Single Lip	1
88	Z72694	Slotted Castle Nut, 1-14NF	1
89	Z72931	Lug Nut, 1/2NF	8
90	Z73291	1" SAE Flat Washer	1
91	Z91710	3500# Brake Drum 12" 8 on 6-1/2 Bolts	1
92	Z91806	Dust Cap 2.33 Bore	1

Electric Brake Ass'y

Model LT60H

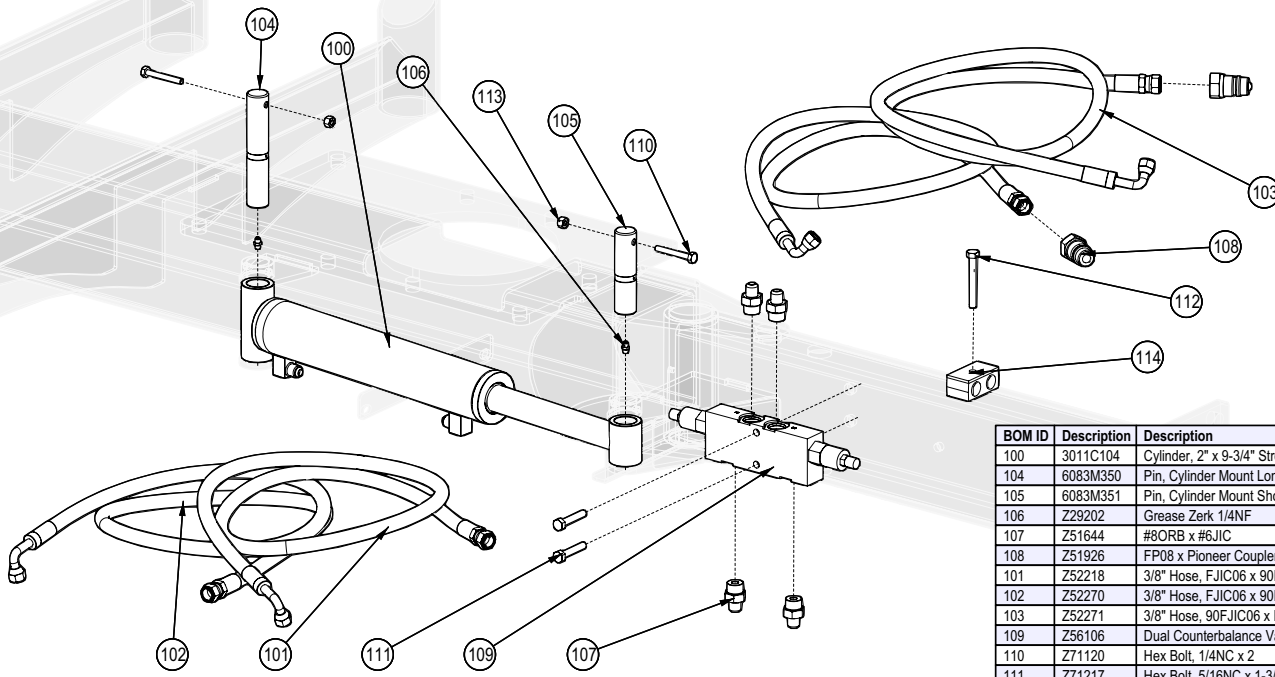


**Please note:** brake parts are not available from EMB Mfg. Brake part numbers below reference Dexter Axle brake assemblies and are available from your local auto parts dealer. All brake repair and maintenance should be done by a qualified mechanic.

Item	Part No.	Description	Qty	Item	Part No.	Description	Qty
	Z91702	LH Complete Brake Assembly	1	10	K71-105-00	<b>Magnet Kit Contains:</b>	1
	Z91712	RH Complete Brake Assembly (shown)	1			Magnet (white wire)	1
1	036-089-10	Backing Plate Assembly	1			Magnet Clip	1
2	047-107-05	LH Actuating Lever Arm Assembly	1			Magnet Spring	1
2	047-108-05	RH Actuating Lever Arm Assembly	1	11	K71-048-00	<b>Shoe &amp; Lining Kit Contains:</b>	1
3	027-005-00	Wire Clip	2			Primary Shoe & Lining	1
4	046-009-00	Retractor Spring	2			Secondary Shoe & Lining	1
5	043-004-00	Adjuster Assembly	1			Shoe Hold Down Pin #2	2
6	046-018-00	Adjusting Screw Spring	1			Shoe Hold Down Spring & Cup	2
7	046-007-00	Adjuster Slot Plug	2				
8	046-016-00	Wire Grommet	1				
9	005-067-00	Anchor Post Washer	1				

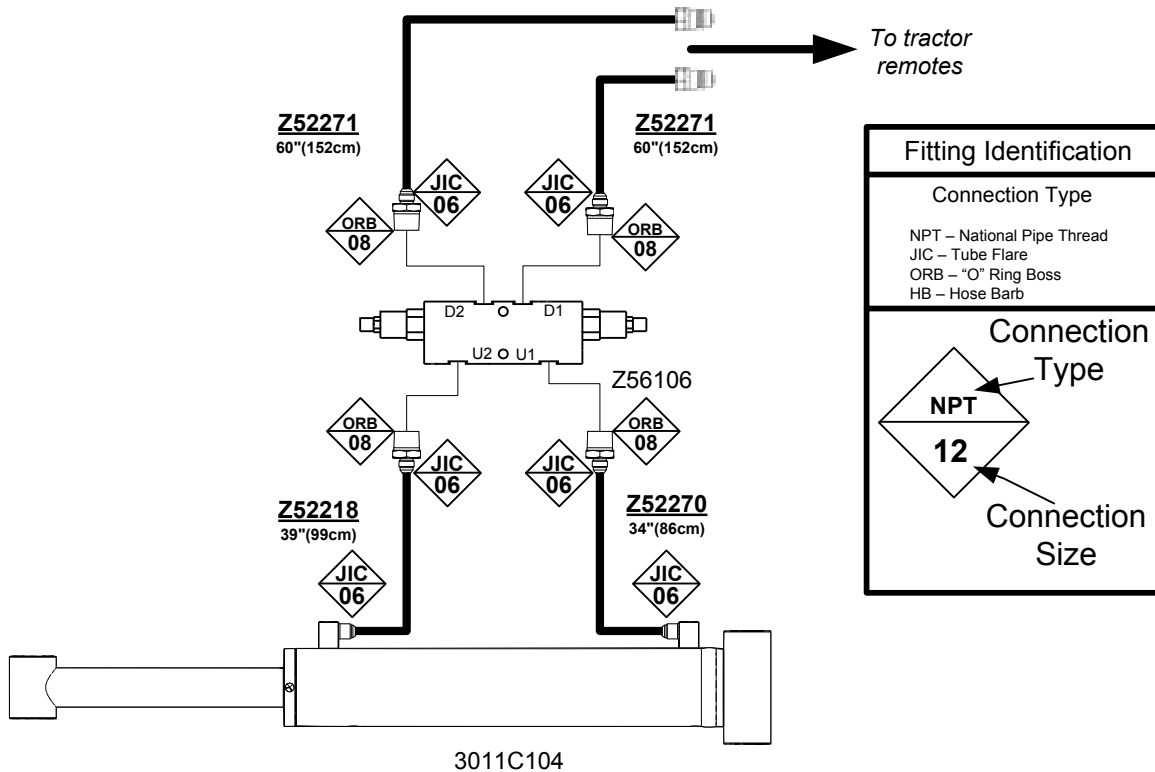


**Hydraulic Drawbar Option**



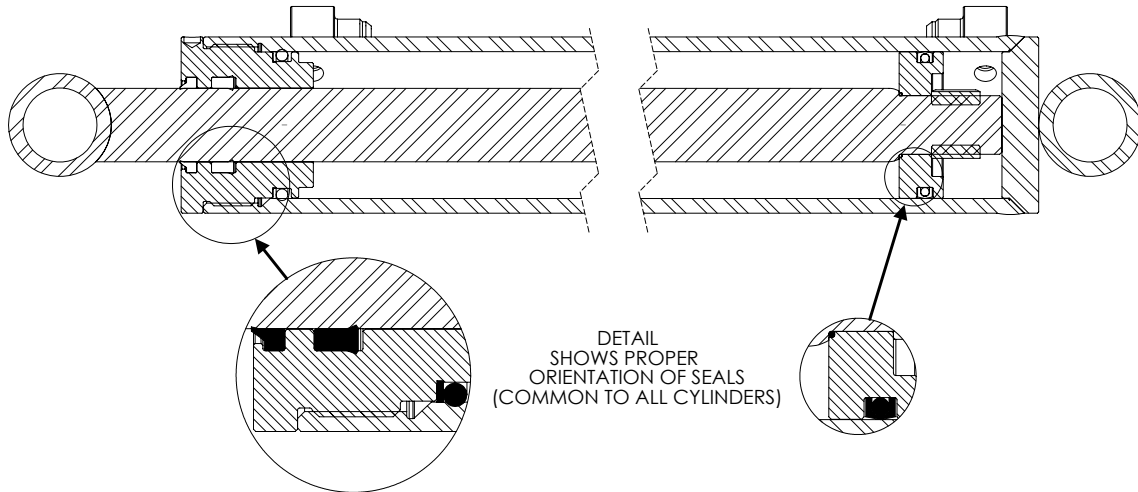
BOM ID	Description	Description	Qty
100	3011C104	Cylinder, 2" x 9-3/4" Stroke	1
104	6083M350	Pin, Cylinder Mount Long	1
105	6083M351	Pin, Cylinder Mount Short	1
106	Z29202	Grease Zerk 1/4NF	2
107	Z51644	#8ORB x #6JIC	4
108	Z51926	FP08 x Pioneer Coupler	2
101	Z52218	3/8" Hose, FJIC06 x 90FJIC06 x 39"	1
102	Z52270	3/8" Hose, FJIC06 x 90FJIC06 x 34"	1
103	Z52271	3/8" Hose, 90FJIC06 x MP08 x 60"	2
109	Z56106	Dual Counterbalance Valve in Body	1
110	Z71120	Hex Bolt, 1/4NC x 2	2
111	Z71217	Hex Bolt, 5/16NC x 1-3/4	2
112	Z71225	Hex Bolt, 5/16NC x 2-1/2	1
113	Z72211	Hex Lock Nut, 1/4NC	2
114	Z79463	Double Hose Clamp 11/16"	1

**Hydraulic Drawbar Schematic**



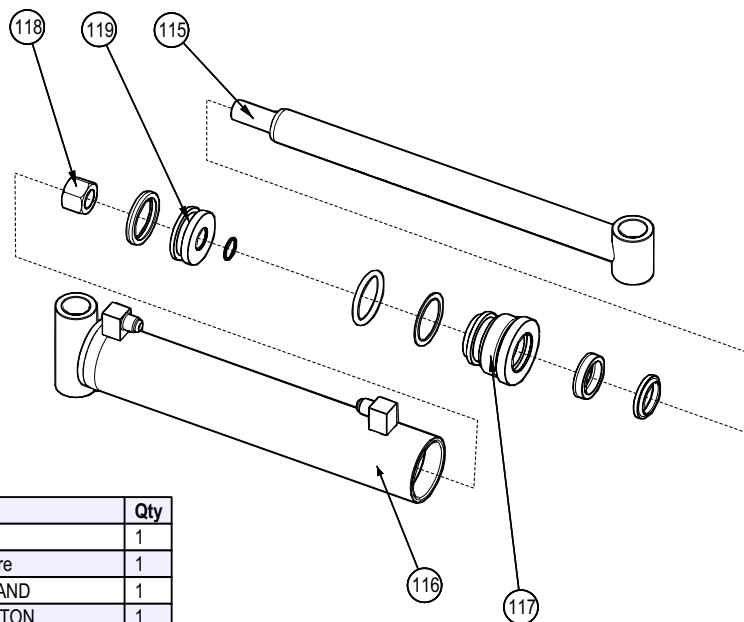
**Cylinder Seal Installation**

Model LT60



**Hydraulic Drawbar Cylinder**

Model LT60



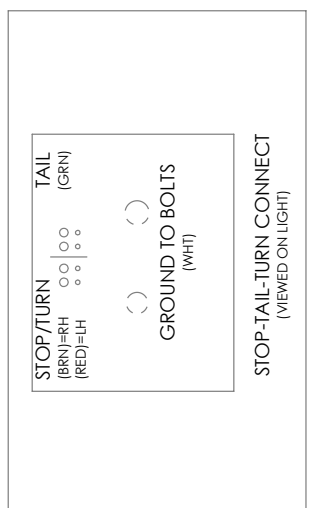
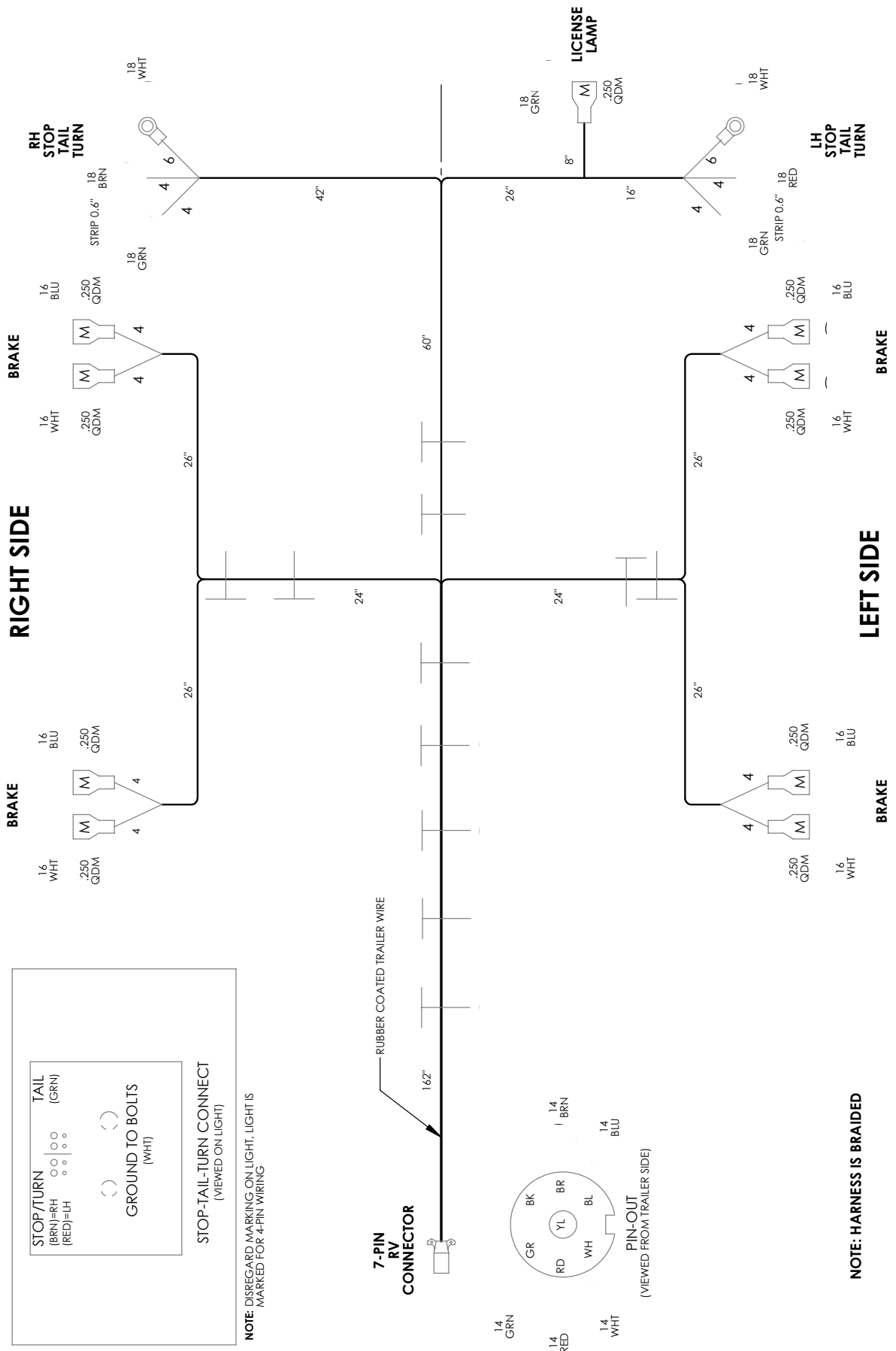
BOM ID	Description	Description	Qty
115	3011C1043	Rod, 1-1/4	1
116	3011C1044	Barrel, 2" Bore	1
117	G200-125S	2" X 1 1/4" GLAND	1
119	P750-200SP	2' BORE PISTON	1
118	Z72272G8	Hex Lock Nut 3/4NF Grade 8	1

**Seal Kit: SLK-2012**

**Note:** Refer to the LX115 Timber Talon Parts manual for complete hydraulic schematics and seal kits

Model LT60H Highway

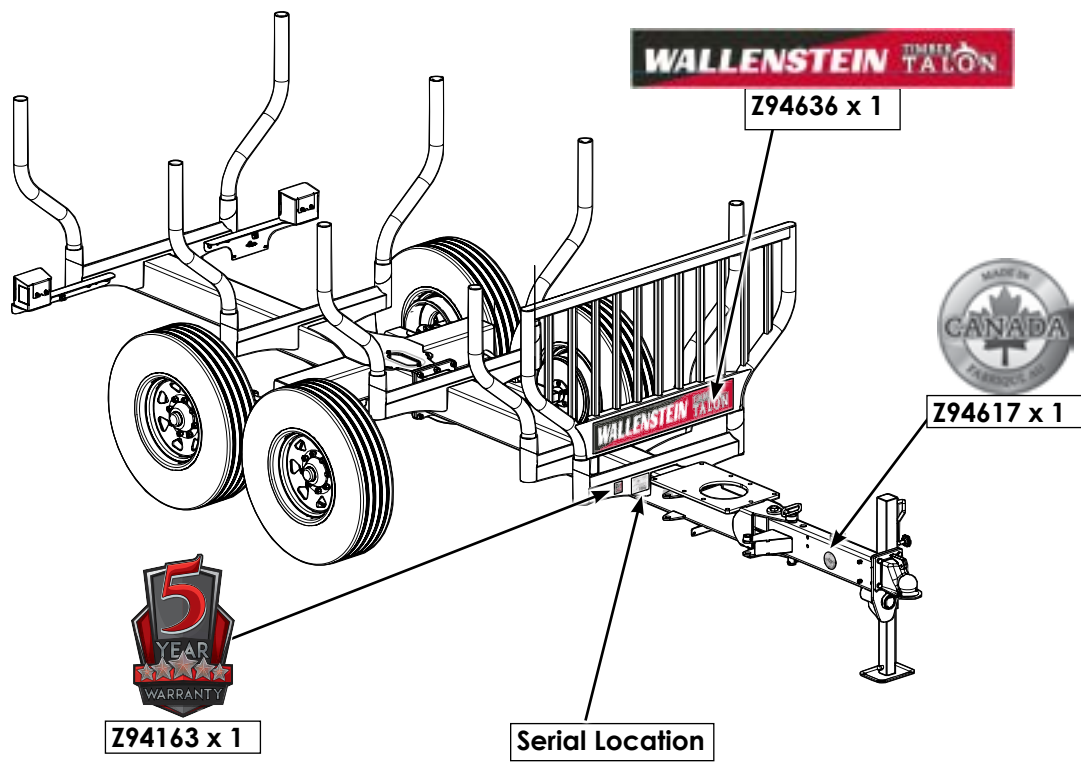
Electrical Schematic



NOTE: DISREGARD MARKING ON LIGHT, LIGHT IS MARKED FOR 4-PIN WIRING

NOTE: HARNESS IS BRAIDED

Labels



Z94163 x 1



Timber Talon Log  
Highway Trailer:  
LT60-H

or

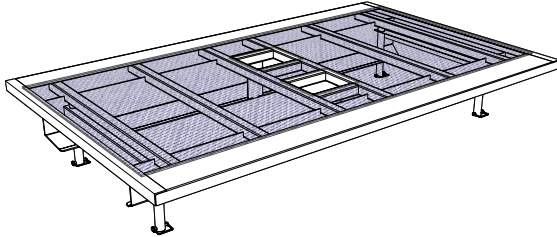


Timber Talon Log  
Offroad Trailer:  
LT60

## Accessories

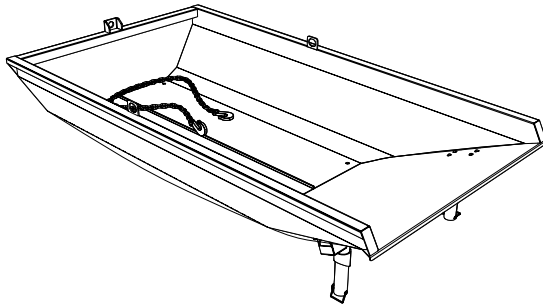
Call your dealer for pricing and availability

For replacement parts, go to [www.embmfg.com](http://www.embmfg.com) and click on "Parts and Manuals" to download the latest parts manual for your model, then call your dealer to order.



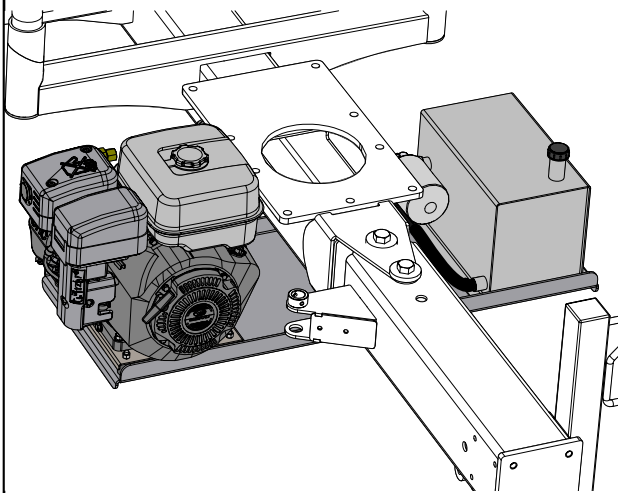
### #L630 LT60 EXPANDED METAL FLAT BED

Transporting material and equipment made easy. Simply drop on this flat bed and you're set to go! **LT60 trailer L630** has a 321 cm x 179 cm (10.6' x 5.8') cargo bed.



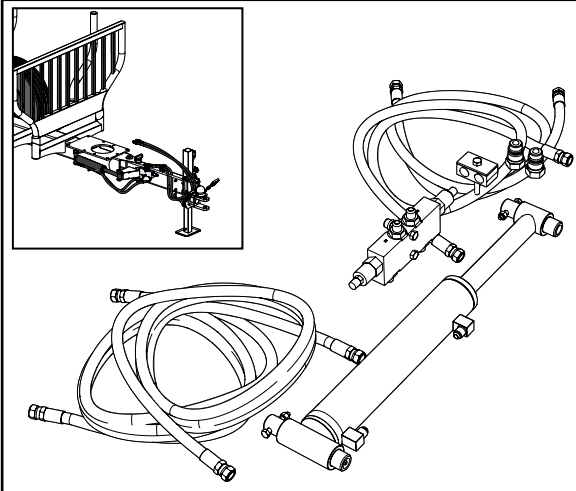
### #L620 LT60 DUMP BOX

Load, transport and easily dump your loads, made for use with the back hoe kit. **The L620** holds 1.13 cubic meters (40 cu.ft). Each dump box comes complete with a 1.8 meter (6 foot) chain used for dumping.



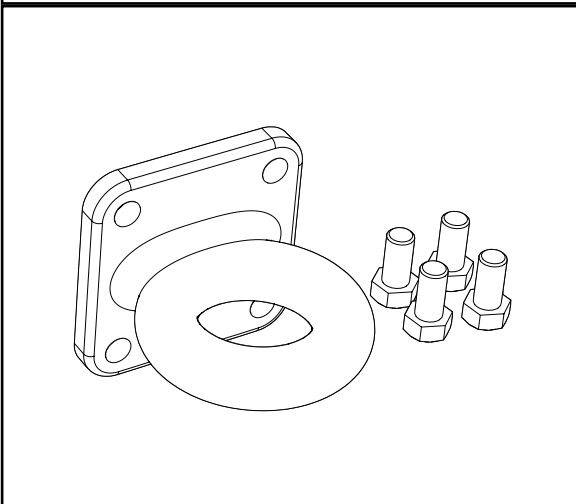
### #L601 LX115 POWER PACK

Independently power your LX grapple: the **L601 for LX115** features a 9HP Subaru engine. Power packs include hydraulic pump and 17.5 litre (4.6 us gal) reservoir tank.



**#L650 HYDRAULIC ARTICULATED DRAWBAR**  
(tractorremotes required)

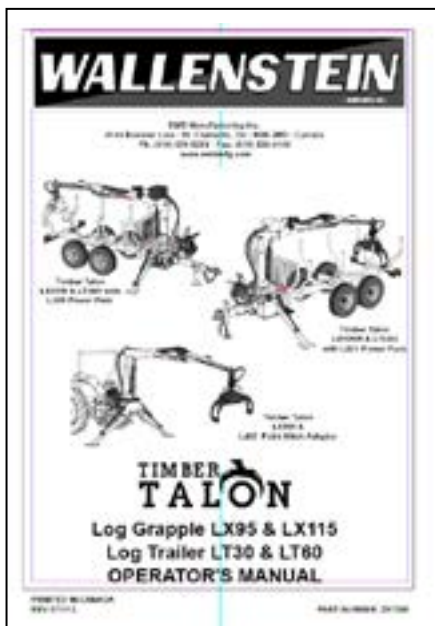
Tight bush trail corner navigation made easy with this handy hydraulic articulating drawbar. Available for off road use only. It is controlled by your tractors remotes.



**#L640 PINTLE HITCH**

Pintle hitch accessory to match up to your existing pintle hook.

**Manual**



**Z97068**

Available as a download at  
[www.embmfg.com](http://www.embmfg.com)