



GX620 Ranchho Backhoe

Prior to S/N 360271



Foreword

EMB Mfg. has prepared this parts manual to assist customers in ordering quality OEM replacement parts.

Proper and regular service and replacing old, worn or broken parts with the correct Wallenstein parts are essential to prolonging the life of your Wallenstein product. Please refer to this manual before ordering any replacement parts.

All information contained in this parts manual is based on the latest product specification available at the time of printing this manual. If your product differs from the specifications contained within this manual contact EMB Mfg. for information.

EMB reserves the right to alter specifications on their products at any time.

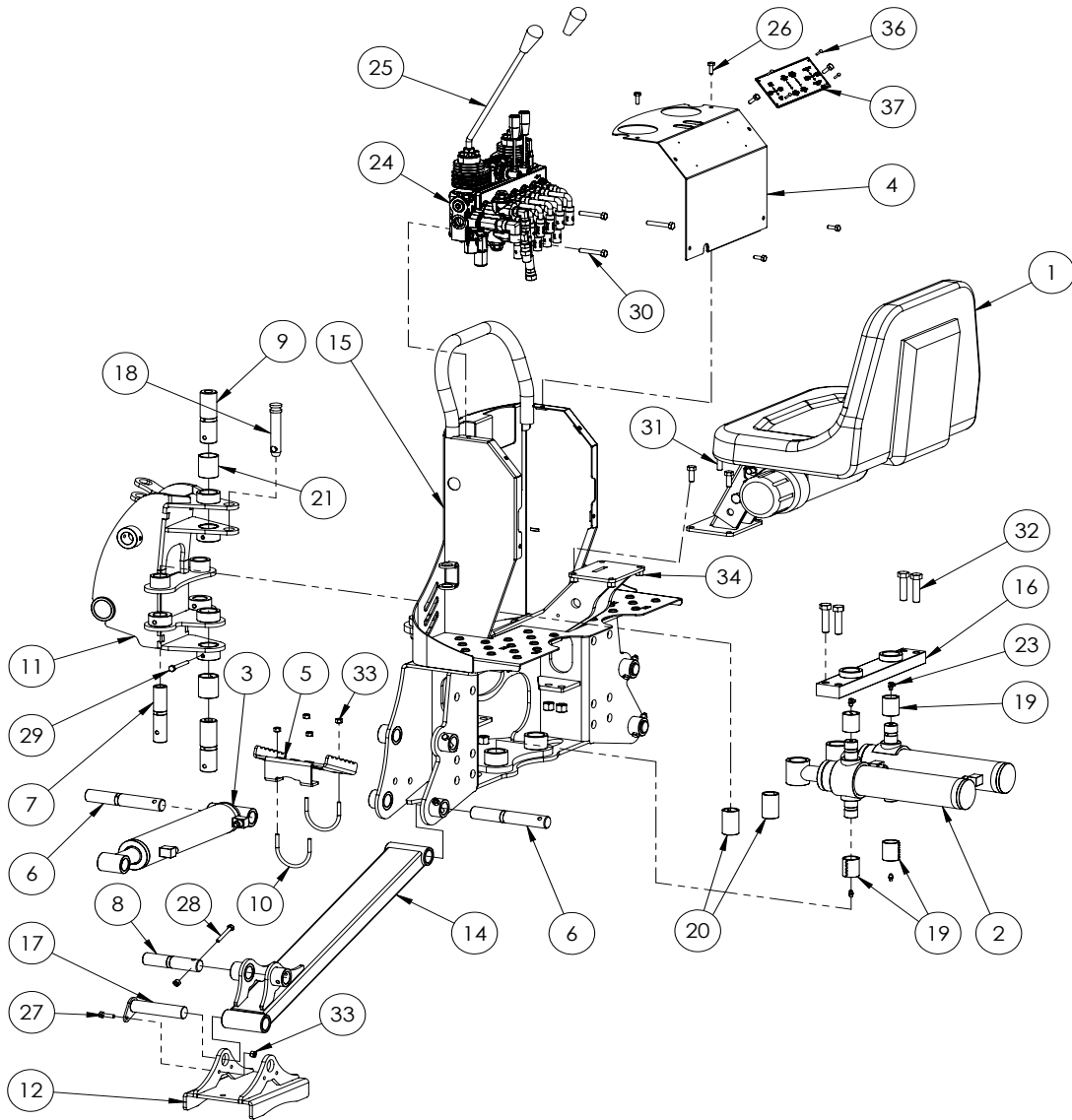
Reproduction of this parts manual of any kind is prohibited without prior written permission from EMB Mfg.

Note: Products with factory installed light kits will have a VIN number included. The last six numbers of this VIN number are the splitters serial number

Example: 2E9US1112BSXXXXXX

Table of Contents

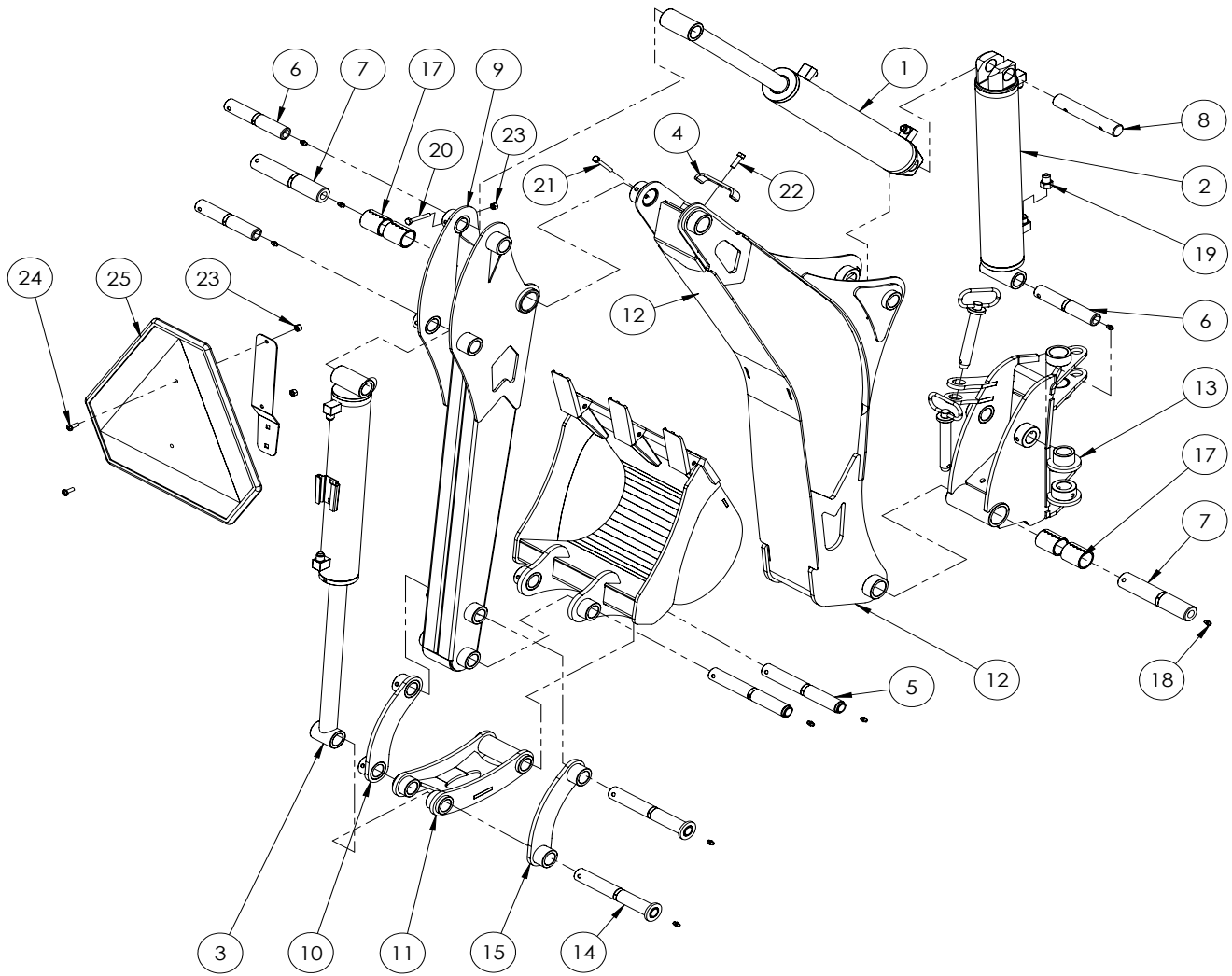
Main Frame	4
Boom	5
Bucket & Seat Assembly	6
Hydraulic Schematic & Parts	7
Cylinders	8
Valve & Parts	10
Pump Kit (Optional)	12
Mechanical Thumb (Optional)	13
Decals	14



GX620 MAIN FRAME PARTS BREAKDOWN

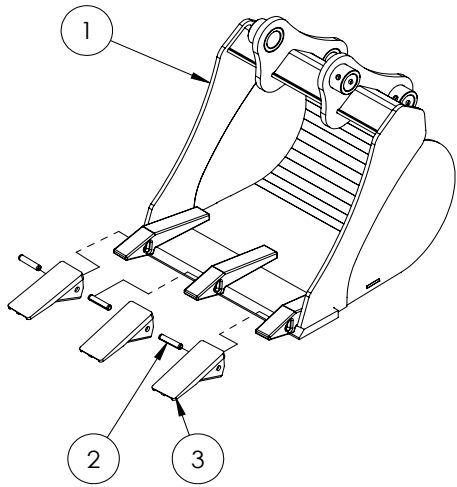
ITEM	PART NO.	DESCRIPTION	QTY.
1	3011A102	Seat Assembly	1
2	3011C103	Cylinder, 2" x 7-3/4 Stroke	2
3	3011C104	Cylinder, 2" x 9-3/4" Stroke	2
4	3011L138	Shield, Control Valve	1
5	3011L140	Step, Stabilizer	2
6	3011M106	Pin, 1" x 6-1/2 Greasable	4
7	3011M120	Pin, 1" x 4-3/4 Greasable	2
8	3011M123	Pin, 1" x 4-3/4 Greasable	2
9	3011M133	Pin, 1-1/4 x 4-5/16 Greasable	2
10	3011S107	U-Bolt, Stab Step	4
11	3011W105	Swing Tower Assembly	1
12	3011W107	Foot, Stabilizer	2
13	3011W108	Stabilizer, RH	1
14	3011W109	Stabilizer, LH	1
15	3011W110	Main Frame	1
16	3011W114	Bar, Swing Cylinder Retaining	1
17	3011W118	Flange Pin, 1 x 4-1/2	2
18	Z11121	Toplink Pin 3/4 x 2-3/4	1
19	Z27221	Connex Bushing 1 x 1-1/2	4
20	Z27222	Connex Bushing 1 x 2	2
21	Z27231	Connex Bushing 1-1/4 x 1-3/4	2
22	Z29202	Grease Zerk 1/4NF	12
23	Z29203	Grease Zerk 90, 1/4NF	2

ITEM	PART NO.	DESCRIPTION	QTY.
24	Z56202	Monoblock 6-Section Valve	1
25	Z56910	Backhoe lever, bent 12"	2
26	Z71107	Hex Bolt 1/4NC x 3/4	6
27	Z71110	Hex Bolt 1/4NC x 1	2
28	Z71120	Hex Bolt 1/4NC x 2	6
29	Z71122	Hex Bolt 1/4NC x 2-1/4	5
30	Z71220	Hex Bolt 5/16NC x 2	3
31	Z71310	Hex Bolt 3/8NC x 1	4
32	Z71520	Hex Bolt 1/2NC x 2	4
33	Z72111	Hex Lock Nut 1/4NC	23
34	Z72231	Hex Lock Nut 3/8NC	4
35	Z72251	Hex Lock Nut 1/2NC	4
36	Z79302	Rivet, 1/8 x 1/2	4
37	Z94035	Plate, Control	1



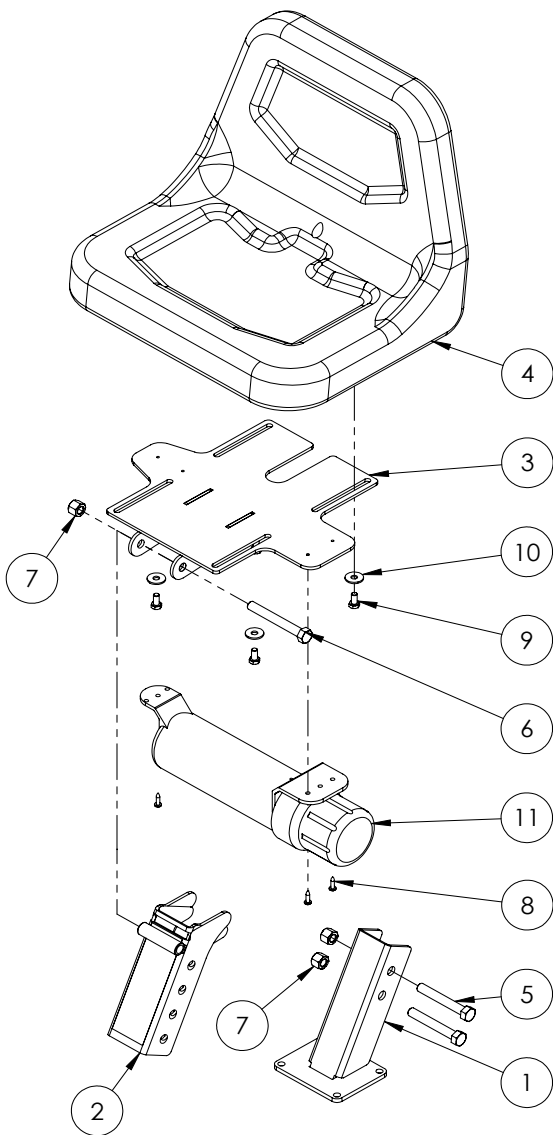
GX620 BOOMS PARTS BREAKDOWN

ITEM	PART NO.	DESCRIPTION	QTY.
1	3011C105	Cylinder, 2-1/4 x 13.1" Stroke	1
2	3011C106	Cylinder, 2-1/2 x 13" Stroke	1
3	3011C107	Cylinder, 2-1/4 x 12-7/8" Stroke	1
4	3011L176	Clamp, Two Hose	1
5	3011M109	Pin, 1 x 7.45 Greasable	2
6	3011M110	Pin, 1" x 5.66 Greasable	3
7	3011M113	Pin, 1-1/4 x 6-5/8 Greasable	2
8	3011M115	Pin, 1" x 6 Double Hole	1
9	3011W101	Boom, Dipper	1
10	3011W102	Linkage, Guide with Holes	1
11	3011W103	Linkage, Bucket	1
12	3011W104	Boom, Main	1
13	3011W105	Swing Tower Assembly	1
14	3011W117	Bucket Pin w/ Washer	2
15	3011W119	Linkage, Guide no Holes	1
16	Z11242	Hitch Pin 3/4 x 4-1/4	2
17	Z27231	Connex Bushing 1-1/4 x 1-3/4	4
18	Z29202	Grease Zerk 1/4NF	9
19	Z51929	ORBxMJIC 0606x.047 Orifice	1
20	Z71120	Hex Bolt 1/4NCx2	6
21	Z71122	Hex Bolt 1/4NC x 2-1/4	9
22	Z71210	Hex Bolt 5/16NC x 1	1
23	Z72111	Hex Lock Nut 1/4NC	17
24	Z78301	Pan Head Machine Screw 1/4NC x 3/4	2
25	Z96605	SMV Spade & Socket	1



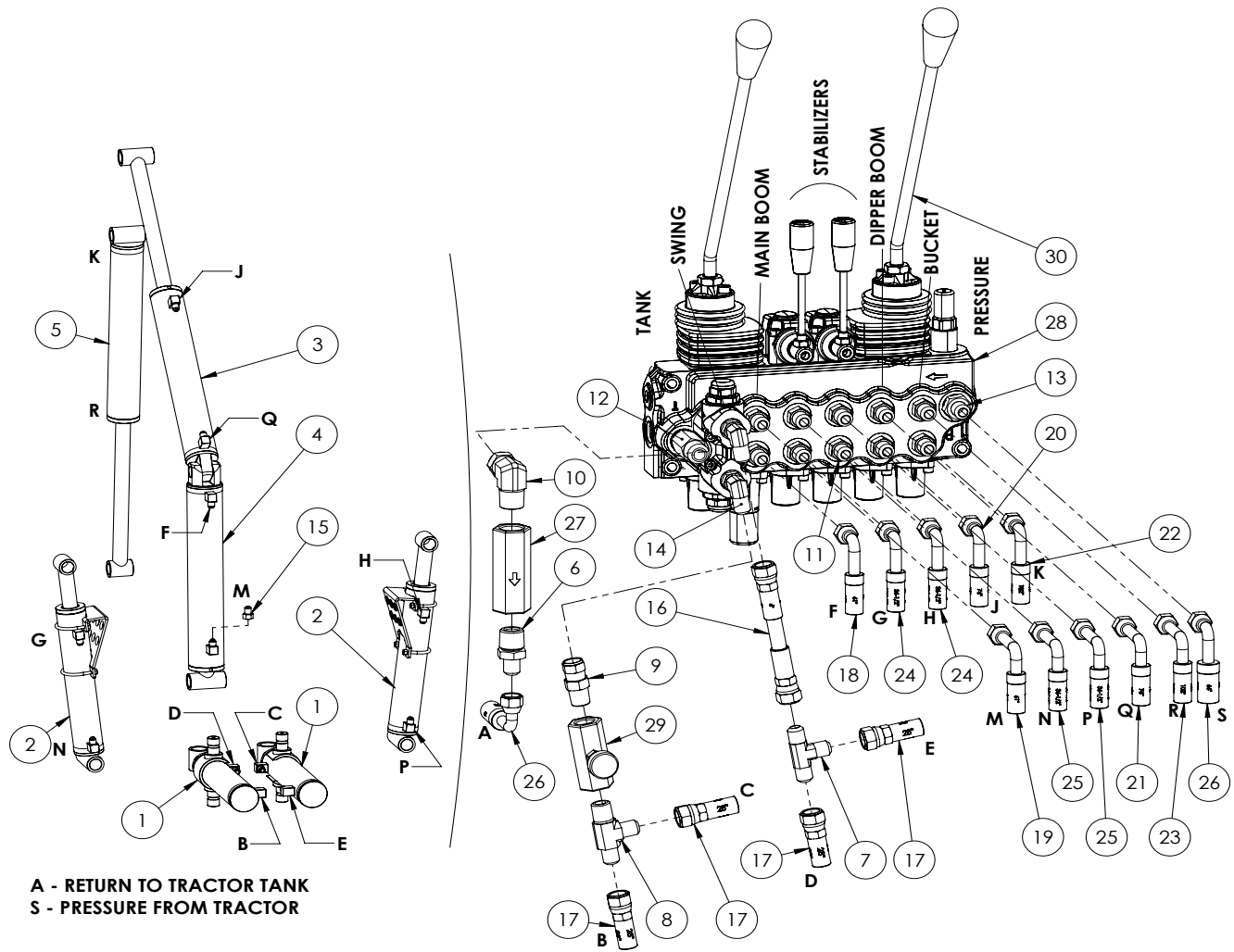
GX620 BUCKETS

ITEM	PART NO.	DESCRIPTION	QTY.
1	BK2090	Bucket, 9" Small	
	BK2120	Bucket, 12" Small	
	BK2150	Bucket, 15" Small	
	BK2180	Bucket, 18" Small	
2	Z14181	Roll Pin 5/16 x 1-1/2	3,4
3	Z19902	Tooth, Backhoe Pin-on	3,4



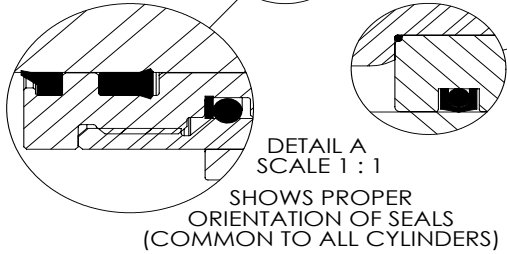
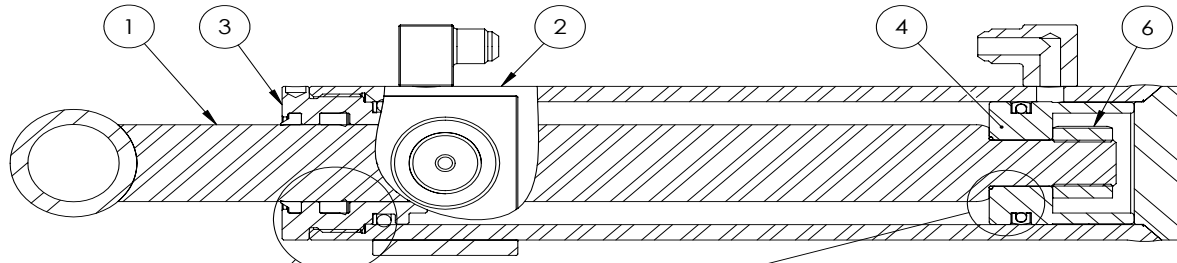
GX620 SEAT ASSEMBLY

ITEM	PART NO.	DESCRIPTION	QTY.
1	3011W111	Base, Seat	1
2	3011W112	Mount, Seat	1
3	3011W113	Plate, Seat	1
4	Z19201	High-Back Seat	1
5	Z71535	Hex Bolt 1/2NC x 3-1/2	2
6	Z71540	Hex Bolt 1/2NC x 4	1
7	Z72251	Hex Lock Nut 1/2NC	3
8	Z76712	Self-tapping Screw #10	3
9	Z77152	Hex Bolt, M8 x 16mm	4
10	Z77352	Washer, M8	4
11	Z96502	Manual Tube 3-1/2	1



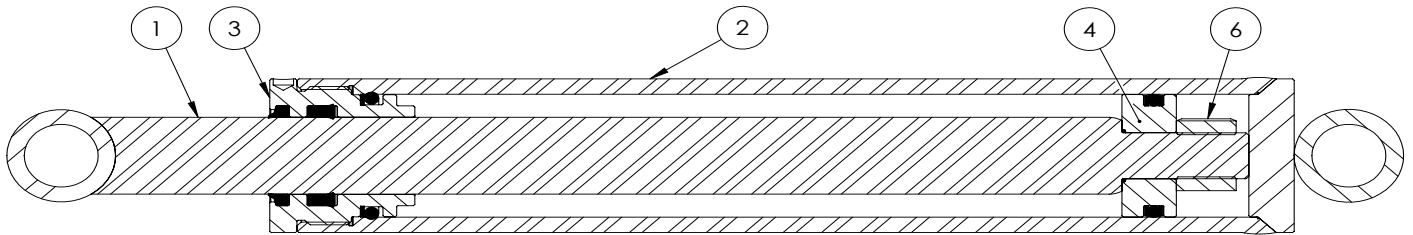
GX620 HYDRAULIC SCHEMATIC & PARTS BREAKDOWN

ITEM	PART NO.	DESCRIPTION	QTY.
1	3011C103	Cylinder, 2" x 7-3/4" Stroke	2
2	3011C104	Cylinder, 2" x 9-3/4" Stroke	2
3	3011C105	Cylinder, 2-1/4 x 13.1" Stroke	1
4	3011C106	Cylinder, 2-1/2 x 13" Stroke	1
5	3011C107	Cylinder, 2-1/4 x 12-7/8" Stroke	1
6	Z51441	#6JIC x 1/2NPT	1
7	Z51483	#6JIC x #6JIC x #6JIC Tee	1
8	Z51486	Tee MJIC x MP x MJIC 060606	1
9	Z51511	#6JIC Fem x 3/8 NPT	1
10	Z51521	1/2NPT x #8JIC Fem Swivel	1
11	Z51641	#6ORB x #6JIC	10
12	Z51642	#8ORB x #8JIC Long Custom	1
13	Z51644	#8ORB x #6JIC	1
14	Z51651	#6JIC x #6ORB 90 Elbow	2
15	Z51913	Flow Restrictor, #6 JIC x 0.050	1
16	Z52101	1/4 Hose, #6FJIC x #6FJIC x 4"	1
17	Z52102	1/4 Hose, #6FJIC x #6FJIC x 28"	4
18	Z52103	1/4 Hose, #6FJIC x #6FJIC 90 x 61"	1
19	Z52104	1/4 Hose, #6FJIC x #6FJIC 90lg x 61"	1
20	Z52105	1/4 Hose, #6FJIC x #6FJIC 90 x 76"	1
21	Z52106	1/4 Hose, #6FJIC x #6FJIC 90lg x 76"	1
22	Z52107	1/4 Hose, #6FJIC x #6FJIC 90 x 102"	1
23	Z52108	1/4 Hose, #6FJIC x #6FJIC 90lg x 102"	1
24	Z52109	1/4 Hose, #6FJIC x #6FJIC 90 x 36-1/2"	2
25	Z52110	1/4 Hose, #6FJIC x #6FJIC 90 x 36-1/2"	2
26	Z52201	3/8 Hose, #6FJIC x 1/2NPT x 66"	2
27	Z56102	Check Valve 1/2FNPT OPSI	1
28	Z56202	Monoblock 6-Section Valve	1
29	Z56301	In-Line Needle Valve	1
30	Z56910	Backhoe lever, bent 12"	2



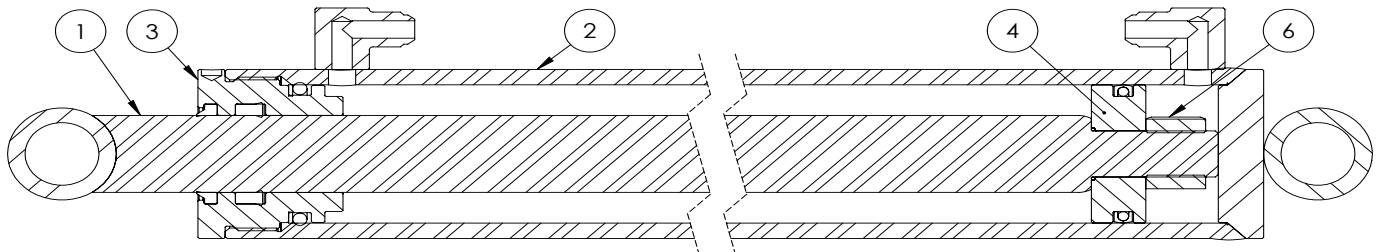
3011C103 GX620 SWING CYLINDER

ITEM	PART NO.	Description	QTY.
1	3011C1033	Rod, 1-1/4 x 3/4	1
2	3011C1034	Barrel, 2" Trunnion Mount	1
3	G200-125SA	2" Bore x 1-1/4" Rod Gland	1
4	P750-200CA	2" Bore Cushion Piston	1
5	SLK-2012	Seal Kit, 2 x 1-1/4	1
6	Z72272G8	Hex Lock Nut 3/4NF Grade 8	1



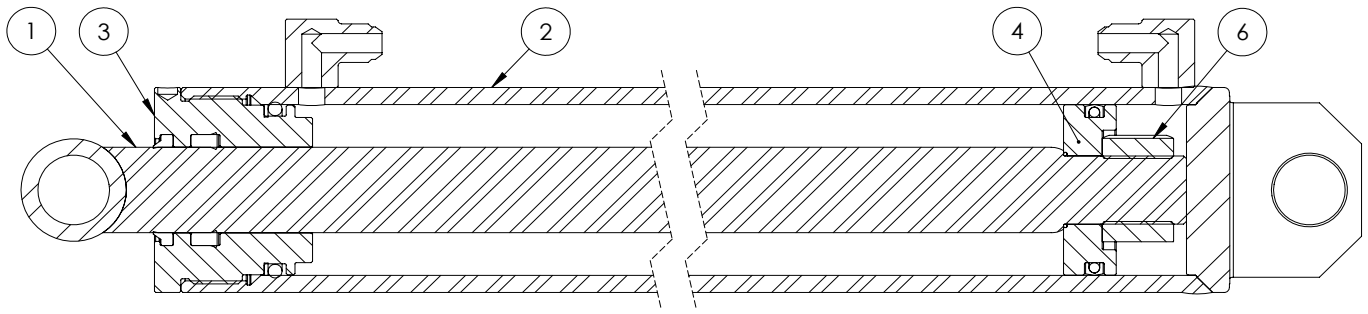
3011C104 GX620 STABILIZER CYLINDER

ITEM	PART NO.	Description	QTY.
1	3011C1043	Rod, 1-1/4	1
2	3011C1044	Barrel, 2" Bore	1
3	G200-125SA	2" Bore x 1-1/4" Rod Gland	1
4	P750-200SA	2" Bore Piston	1
5	SLK-2012	Seal Kit, 2 x 1-1/4	1
6	Z72272G8	Hex Lock Nut 3/4NF Grade 8	1



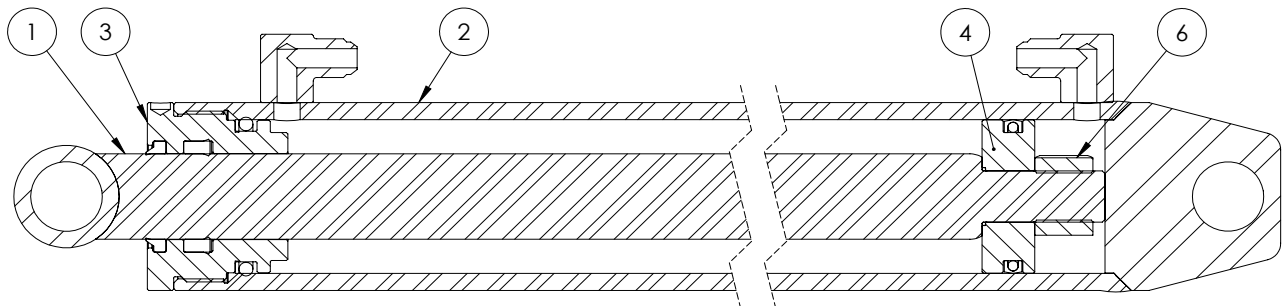
3011C107 GX620 BUCKET CYLINDER

ITEM	PART NO.	Description	QTY.
1	3011C1073	Rod, 1-1/4x3/4	1
2	3011C1074	Barrel, 2-1/4" Bore	1
3	G225-125SA	2-1/4" Bore x 1-1/4" Rod Gland	1
4	P750-225SA	2-1/4" Bore Piston	1
5	SLK-2212	Seal Kit, 2-1/4 x 1-1/4	1
6	Z72272G8	Hex Lock Nut 3/4NF Grade 8	1



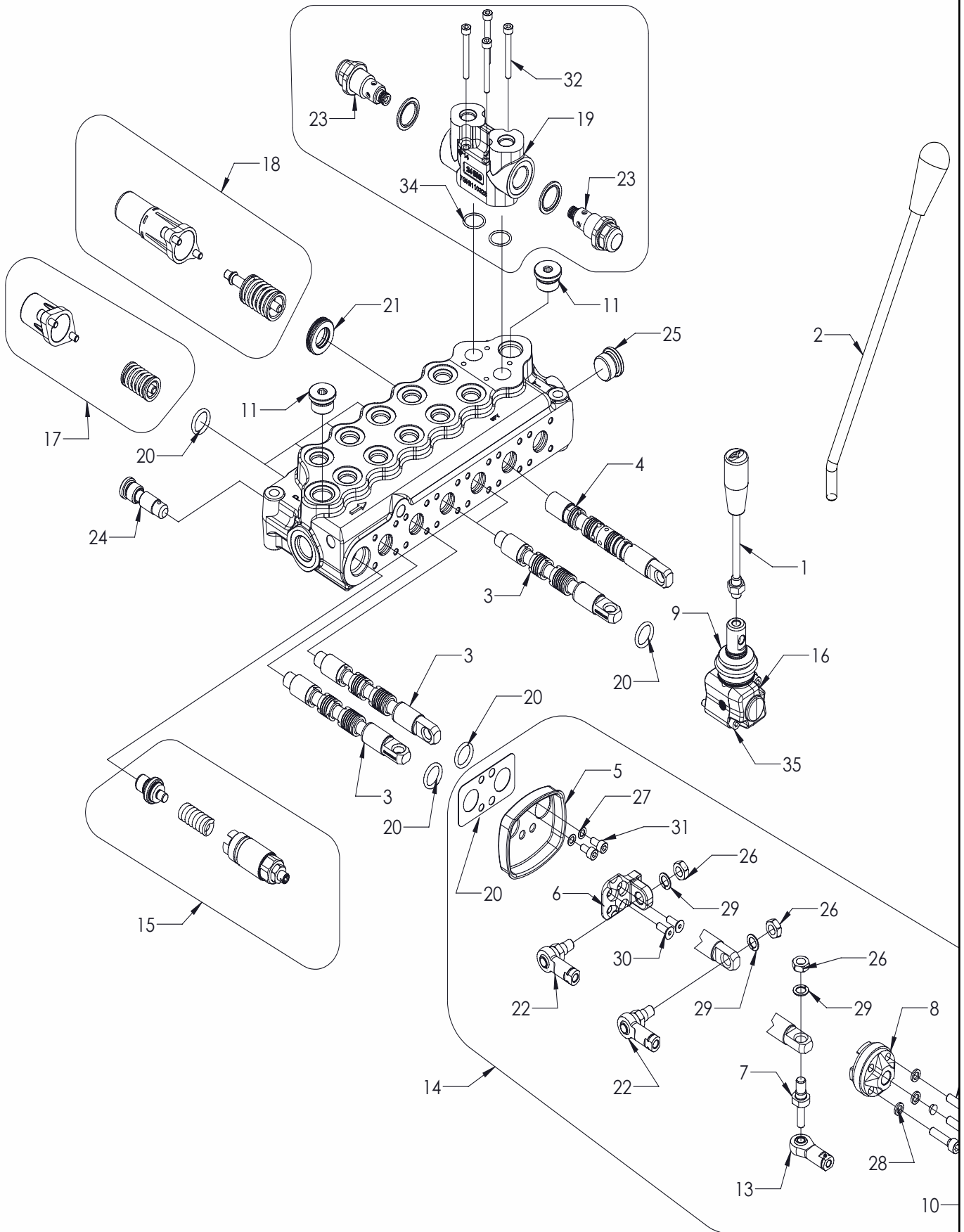
3011C106 GX620 MAIN BOOM CYLINDER

ITEM	PART NO.	Description	QTY.
1	3011C1063	Rod, 1-1/4 x1	1
2	3011C1064	Barrel, 2-1/2"	1
3	G250-125SA	2-1/2" Bore x 1-1/4" Rod Gland	1
4	P100-250SA	2-1/2" Bore Piston	1
5	SLK-2512	Seal Kit, 2-1/2 x 1-1/4	1
6	Z72292G8	Hex Lock Nut 1NF Grade 8	1



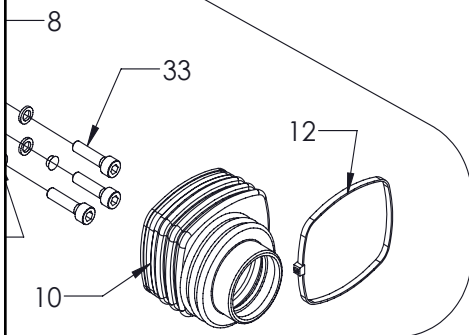
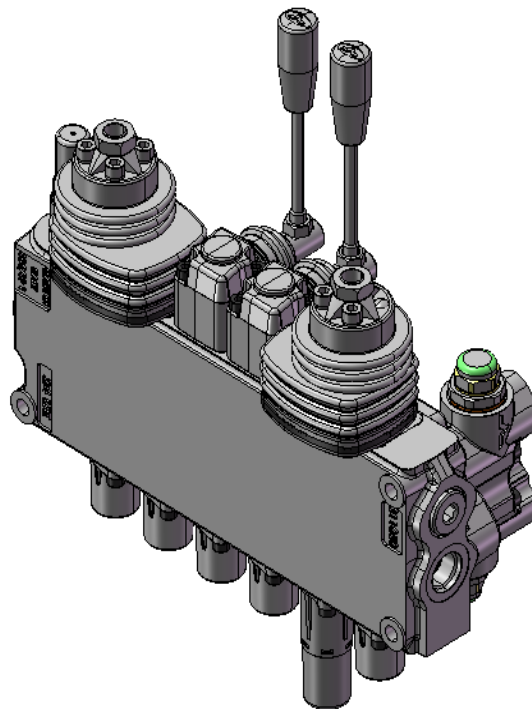
3011C105 GX620 DIPPER BOOM CYLINDER

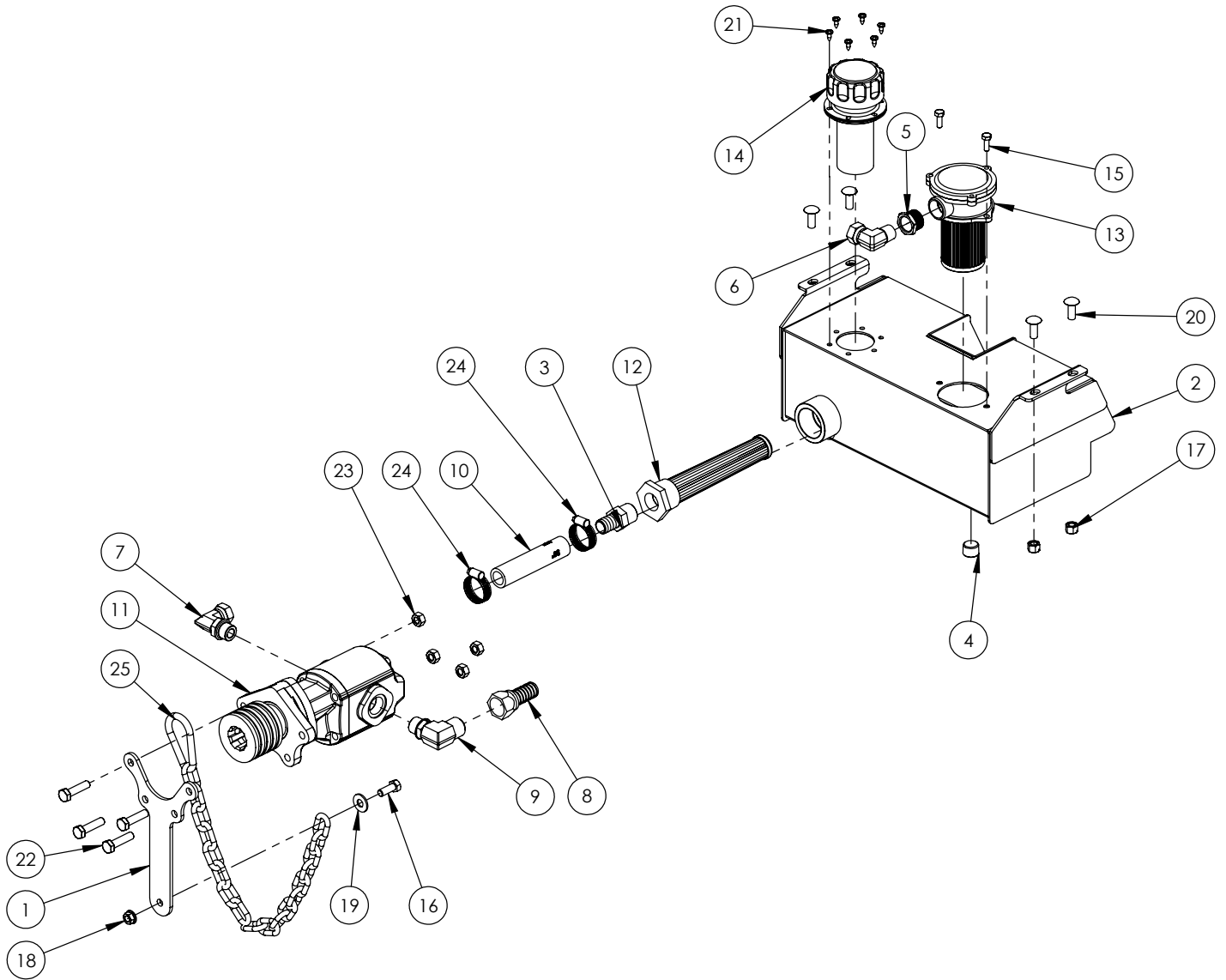
ITEM	PART NO.	Description	QTY.
1	3011C1053	Rod, 1-1/4x3/4	1
2	3011C1054	Barrel, 2-1/4" Bore	1
3	G225-125SA	2-1/4" Bore x 1-1/4" Rod Gland	1
4	P750-225SA	2-1/4" Bore Piston	1
5	SLK-2212	Seal Kit, 2-1/4 x 1-1/4	1
6	Z72272G8	Hex Lock Nut 3/4NF Grade 8	1



Z56202 VALVE PARTS BREAKDOWN

ITEM	PART NO.	DESCRIPTION	QTY.
1	170011012	AL01/M8X120 HANDLEVER (SHORT)	2
2	Z56910	AL08/M12X350 BENT LEVER (LONG)	2
3	3CU1210133	TIGHT FIT SPOOL	4
4	3CU1245620	FLOAT SPOOL	1
5	3FLA125130	LCB5 FLANGE	2
6	3FUL220101	LCB5 FULCRUM	2
7	3PER515415	LCB5 SPOOL PIN	2
8	3POR340241	LCB5 ADAPTER HANDLE	2
9	3SOF136240	L5 RUBBER BOOT ONLY	2
10	3SOF200701	LCB5 RUBBER BOOT	2
11	3XTAP822150	PLUG SAE8	2
12	4ACC210	TIE STRAP	2
13	4ART706020	LCB6 TUTHILL	2
14	5CLO206100	LCB6 COMPLETE JOYSTICK KIT	2
15	5KIT105413	RELIEF VALVE	1
16	5LEV105000	L5 LEVER BOX	2
17	5V08105000	SPRING CENTER KIT	4
18	5V13405020	FLOAT KIT	1
19	602001101	PORT RELIEF BLOCK	1
20	SK SD5/6	VALVE SEAL KIT (12 O-RINGS, 2 GASKETS)	1
21	XANE228061	RING	1
22	XART706020	LCB6 TUTHILL WITH BOLT	4
23	XCAR211113	PORT RELIEF CARTRIDGE	2
24	XKIT005000	LOAD CHECK	1
25	XTAP623170	OPEN CENTER PLUG	1
	AEK SD5	CLOSED CENTER PLUG	OPTION
26	Z77252	JAM NUT M8x1.25	10
27	Z77321	LOCK WASHER M5	8
28	Z77331	LOCK WASHER M6	6
29	Z77354	LOCK WASHER M8	6
30	Z77521	FHCS M5x0.8x14mm	8
31	Z77522	SHCS M5x0.8x10mm	8
32	Z77523	SHCS M5x0.8x45mm	4
33	Z77531	SHCS M6x1.0x25mm	6
34	OR 17.18X1.78	PORT RELIEF O-RING	2
35	Z77524	SHCS M5x0.8x35mm	8

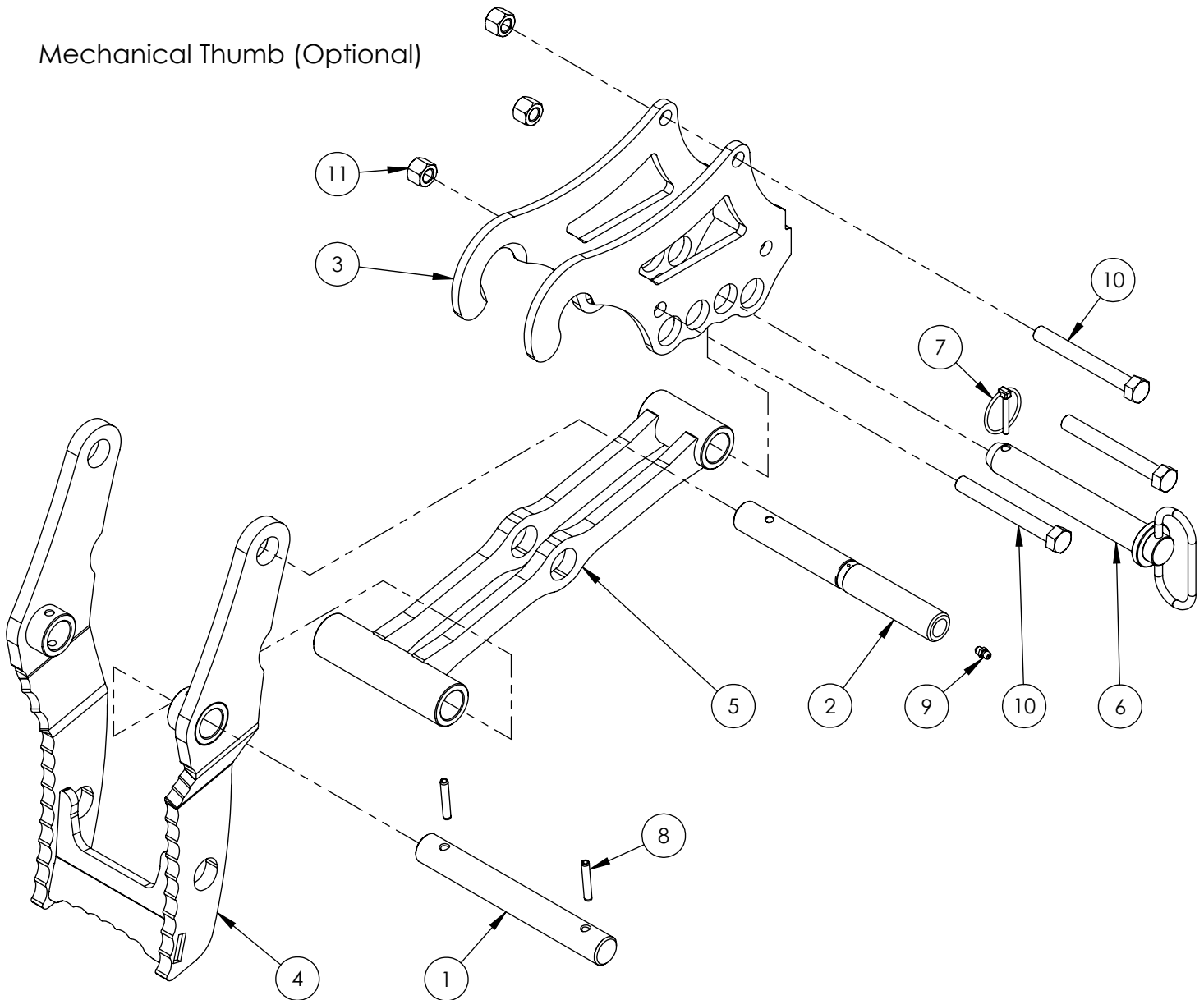




PTO62 PUMP KIT PARTS BREAKDOWN

ITEM	PART NO.	DESCRIPTION	QTY
1	3081L107	Lever, Stop	1
2	3081W101	Tank, 2-1/2 Gallon	1
3	Z51181	3/4NPT x 3/4 Hose Barb	1
4	Z51192	Socket Plug 1/2NPT	1
5	Z51221	Reducer FP x MP 1208	1
6	Z51331	Elbow 90 MP x FPX 0808	1
7	Z51384	#10ORB x 1/2FNPT 90 Elbow	1
8	Z51591	#12JIC x 3/4 Hose Barb	1
9	Z51654	#12JIC x #10ORB 90 Elbow	1
10	Z52403	3/4 Plain Hose x 36"	1
11	Z53102	Pump, 2.38 CIR	1
12	Z55101	Tank Strainer, Suction	1
13	Z55201	Tank Mounted Return Filter	1
14	Z55401	Breather Filler Cap	1
15	Z71107	Hex Bolt 1/4NC x 3/4	2
16	Z71310	Hex Bolt 3/8NC x 1	1
17	Z72231	Hex Lock Nut 3/8NC	4
18	Z72531	Flange Nut 3/8NC	1
19	Z73230	Wide Flat Washer 3/8	1
20	Z76231	Carriage Bolt 3/8NC x 1	4
21	Z76711	Self-tapping Screw #10	6
22	Z77161	Hex Bolt, M10 x 40mm	4
23	Z77260	Hex Nut, M10	4
24	Z79401	Hose Clamp, #16	2
25	Z92303	Safety Chain 1/4 x 2'	1

Mechanical Thumb (Optional)

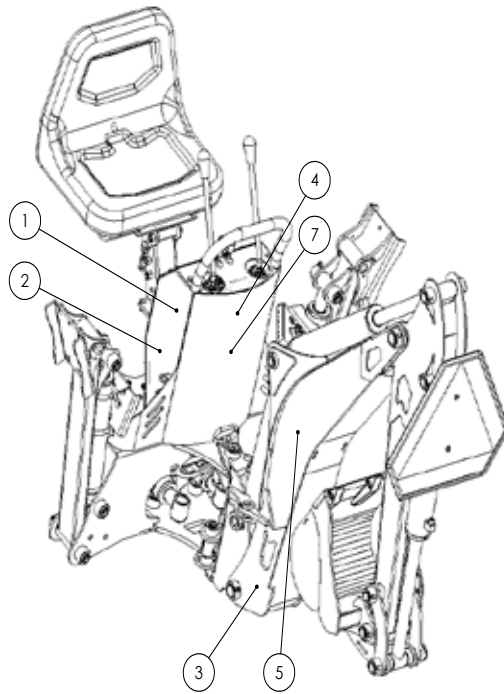
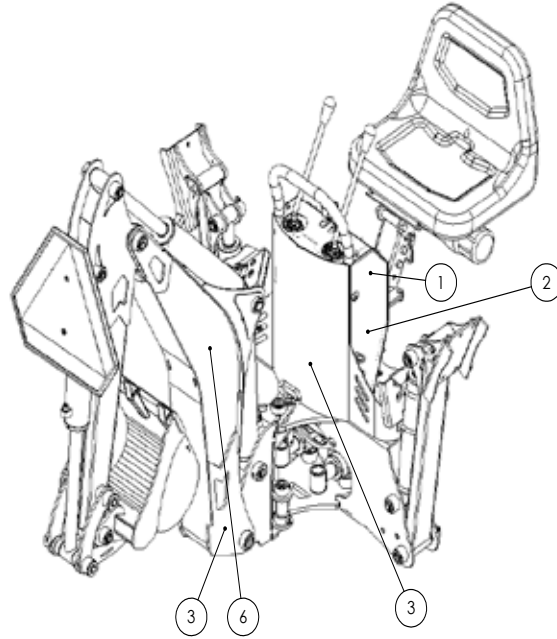


BT5280 THUMB PARTS BREAKDOWN

ITEM	PART NO.	Description	QTY.
1	3083M063	Pin, Thumb Brace Pivot	1
2	3083M064	Pin, Extended Bucket - Thumb	1
3	3083W060	Weldment, Lug	1
4	3083W061	Weldment, Thumb	1
5	3083W062	Link, Thumb Support	1
6	Z11261	Hitch Pin 1 x 6-1/4	1
7	Z12110	Latch Pin 3/16	1
8	Z14171	Roll Pin, 1/4 x 1-1/2	2
9	Z29202	Grease Zerk 1/4NF	1
10	Z71542	Hex Bolt 1/2NC x 4-1/4	3
11	Z72251	Hex Lock Nut 1/2NC	3

GX620 DECAL BREAKDOWN

ITEM	PART NO.	DESCRIPTION	QTY
1	Z94036	CAUTION - Read Manual	2
2	Z94037	Moving Boom Hazard	2
3	Z94038	WARNING - Install Lock Pin	3
4	Z94019	Made in Canada	3
5	Z94017	GX620 RH Curved Decal	1
6	Z94018	GX620 LH Curved Decal	1
7	Z94054	Wallenstein Ranchho	1



GX620 Decals

Z94054



Z94019



Z94017



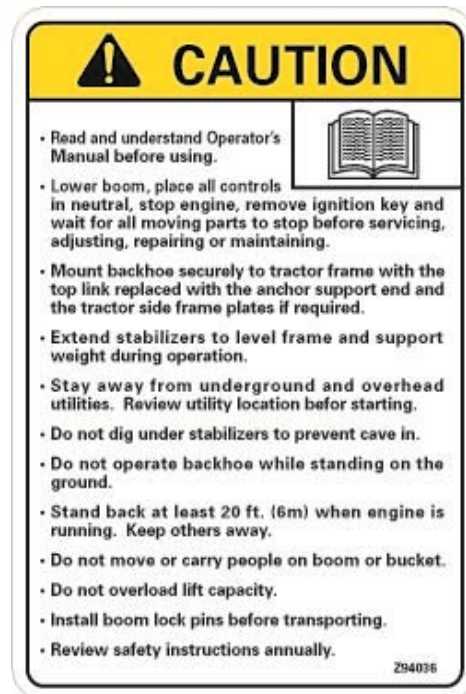
Z94038



Z94018



Z94036



Z94037





WALLENSTEIN Products Manufactured by:

EMB MFG Inc.

4144 Boomer Line
St. Clements, Ontario
Canada N0B 2M0
Phone: 1-877-695-9283
Fax: 519-699-4146
www.embmfg.com