



BXMT3213 Chipper-Shredder Parts Manual

S/N 2E9US11189S040010 to S/N 2E9US11129S040017



Foreword

EMB Mfg. has prepared this parts manual to assist customers in ordering quality OEM replacement parts.

Proper and regular service and replacing old, worn or broken parts with the correct Wallenstein parts are essential to prolonging the life of your Wallenstein product. Please refer to this manual before ordering any replacement parts.

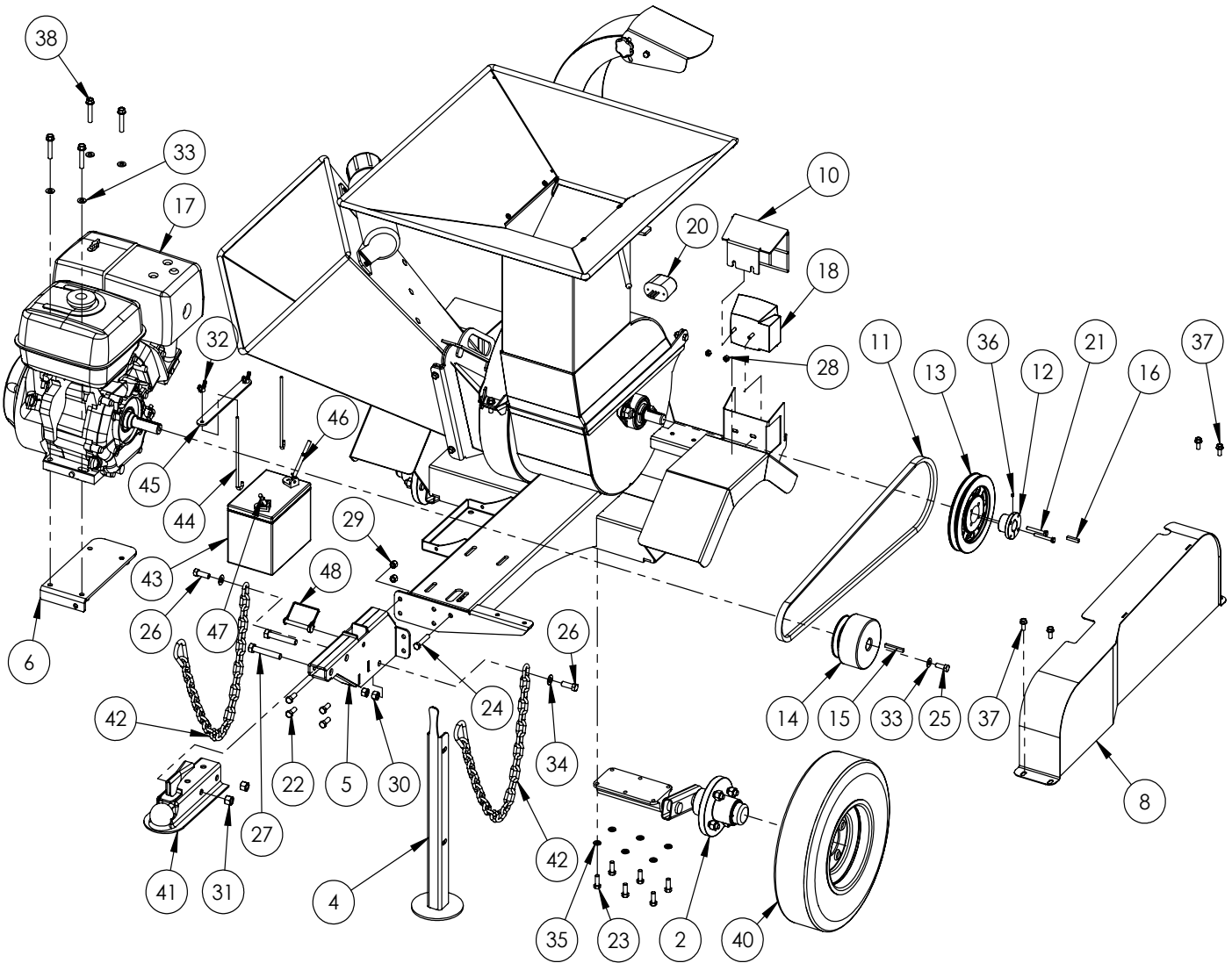
All information contained in this parts manual is based on the latest product specification available at the time of printing this manual. If your product differs from the specifications contained within this manual contact EMB Mfg. for information.

EMB reserves the right to alter specifications on their products at any time.

Reproduction of this parts manual of any kind is prohibited without prior written permission from EMB Mfg.

Table of Contents

| | |
|-----------------|----|
| Main Parts | 4 |
| Rotor Housing | 5 |
| Rotor | 6 |
| Discharge Chute | 7 |
| Hub | 8 |
| Wiring Diagram | 9 |
| Decals | 10 |



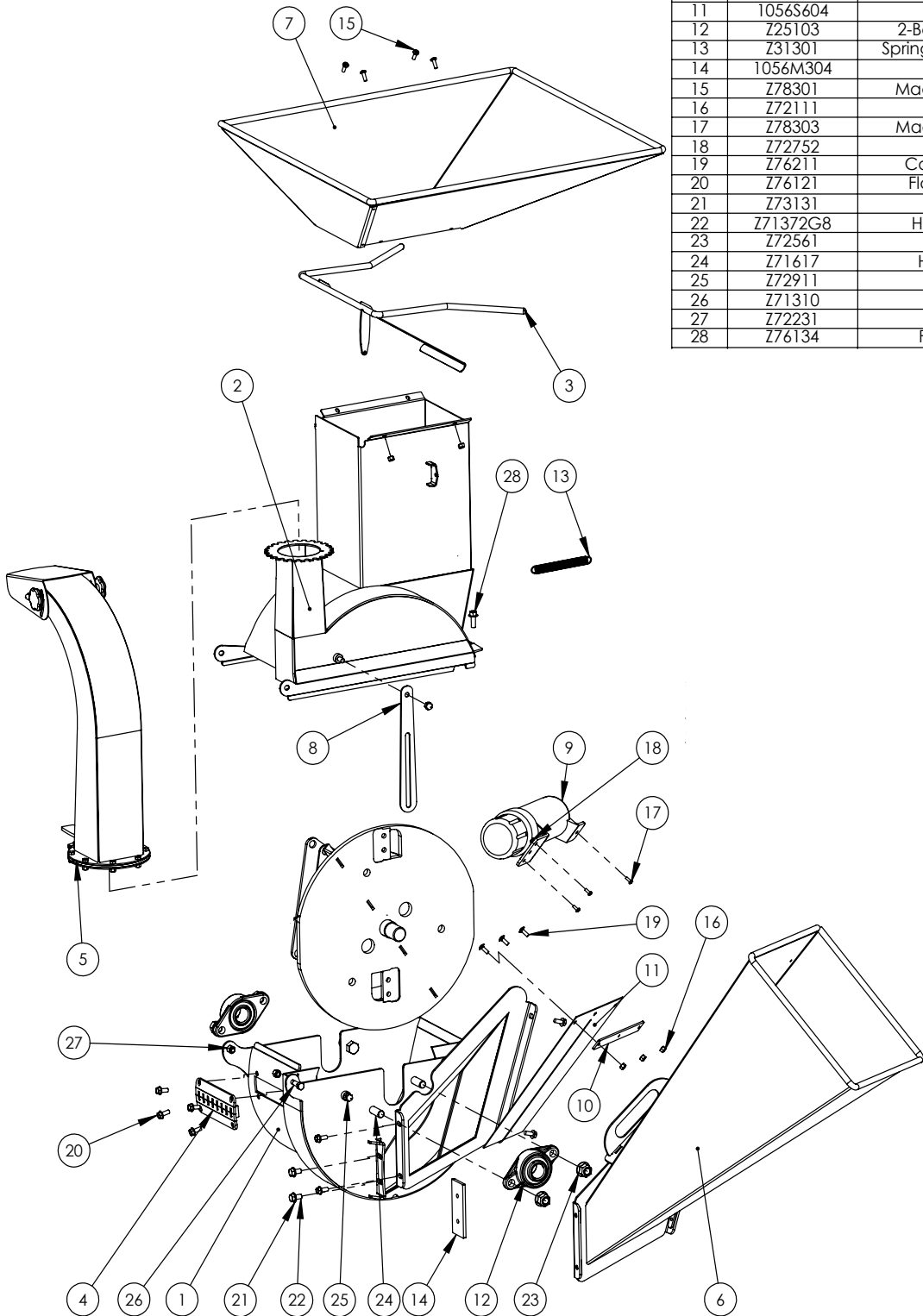
BXMT3213 PARTS BREAKDOWN

| ITEM | PART NO. | DESCRIPTION | QTY |
|------|-----------|---------------------------|-----|
| 1 | 1056A602 | Torflex with Hub, RH | 1 |
| 2 | 1056A603 | Torflex with Hub, LH | 1 |
| 4 | 1056W402 | Jack Stand | 1 |
| 5 | 1056W601B | Main Spine | 1 |
| 6 | 1056W611 | Belt Tightener | 1 |
| 8 | 1056W615 | Shield | 1 |
| 9 | 2054W403 | Light Guard, RH | 1 |
| 10 | 2054W404 | Light Guard, LH | 1 |
| 11 | Z41160 | Belt, "B" x 64 | 1 |
| 12 | Z41510 | "L" Bushing 1" Bore | 1 |
| 13 | Z41613 | Sheave, 7.35P "L" | 1 |
| 14 | Z41803 | Centrifugal Clutch, 3.9P | 1 |
| 15 | Z46531 | Key 1/4 x 1/4 x 2 | 1 |
| 16 | Z46534 | Key 1/4 x 1/4 x 1-1/4 | 1 |
| 17 | Z47146 | GX390 13HP Engine | 1 |
| 18 | Z61106 | Stop, Turn, Tail Light LH | 1 |
| 19 | Z61107 | Stop, Turn, Tail Light RH | 1 |
| 20 | Z61301 | License Lamp | 1 |
| 21 | Z71110 | Hex Bolt 1/4NC x 1 | 2 |
| 22 | Z71310 | Hex Bolt 3/8NC x 1 | 4 |
| 23 | Z71210 | Hex Bolt 5/16NC x 1 | 12 |

| ITEM | PART NO. | DESCRIPTION | QTY |
|------|----------|------------------------------|-----|
| 24 | Z71320 | Hex Bolt 3/8NC x 2 | 1 |
| 25 | Z71374 | Hex Bolt 3/8NF x 1 | 1 |
| 26 | Z71412 | Hex Bolt 7/16NC x 1-1/4 | 2 |
| 27 | Z71530 | Hex Bolt 1/2NC x 3 | 2 |
| 28 | Z72111 | Hex Lock Nut 1/4NC | 4 |
| 29 | Z72231 | Hex Lock Nut 3/8NC | 4 |
| 30 | Z72240 | Hex Lock Nut, 7/16NC | 2 |
| 31 | Z72251 | Hex Lock Nut 1/2NC | 2 |
| 32 | Z72921 | Wing Nut 1/4NF | 2 |
| 33 | Z73131 | Washer, 3/8 | 5 |
| 34 | Z73140 | Washer, 7/16 | 2 |
| 35 | Z73330 | Lock Washer 3/8 | 12 |
| 36 | Z74102 | Set Screw #10-24 x 1/4 | 1 |
| 37 | Z76121 | Flange Bolt 5/16NC x 3/4 | 4 |
| 38 | Z76135 | Flange Bolt, 3/8NC x 2 | 4 |
| 39 | Z76712 | Self-tapping Screw #10 | 5 |
| 40 | Z91301 | 4.80-8 LRB SportTrail | 2 |
| 41 | Z91614 | 2" Hitch Coupler | 1 |
| 42 | Z92307 | Safety Chain 1/4 x 3' | 2 |
| 43 | Z93201 | 250 CCA Battery | 1 |
| 44 | Z93202 | J-Hook 1/4 x 7 | 2 |
| 45 | Z93207 | Hold-Down Strap, 1 x 8-1/2 | 1 |
| 46 | Z93210 | Battery Cable, Neg 25' | 1 |
| 47 | Z93212 | Battery Cable, Pos 28' | 1 |
| 48 | Z12432 | Snapper Pin 3/8 x 2-1/2 | 1 |
| 49 | Z62101 | 25' Standard Trailer Harness | 1 |

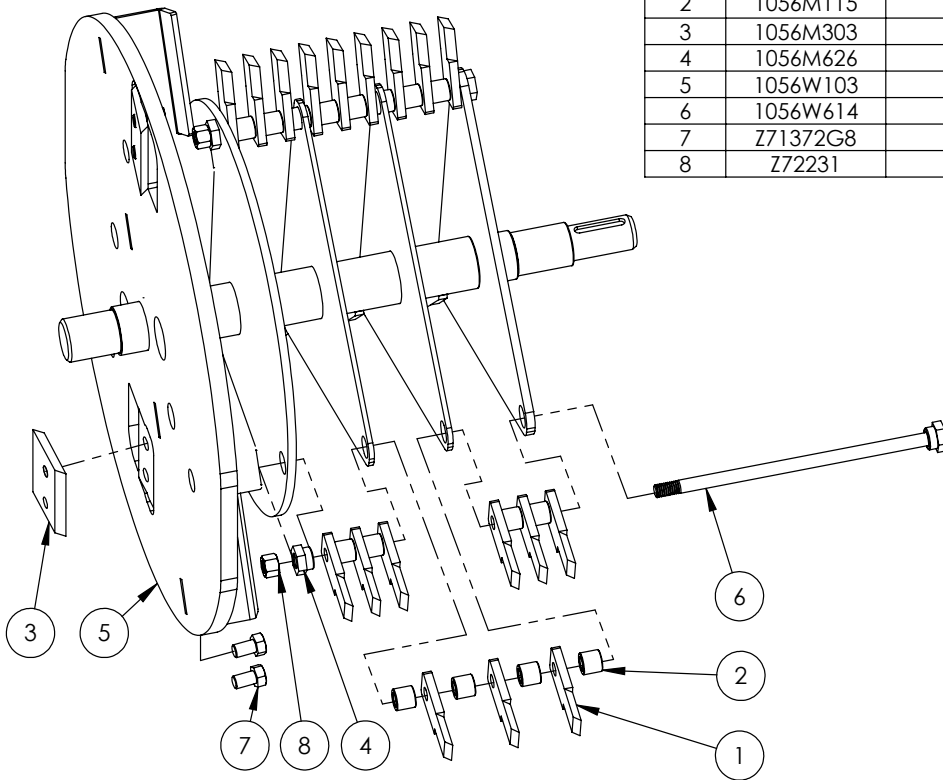
BXMT 3209 & BXMT 3213 ROTOR HOUSING PARTS BREAKDOWN

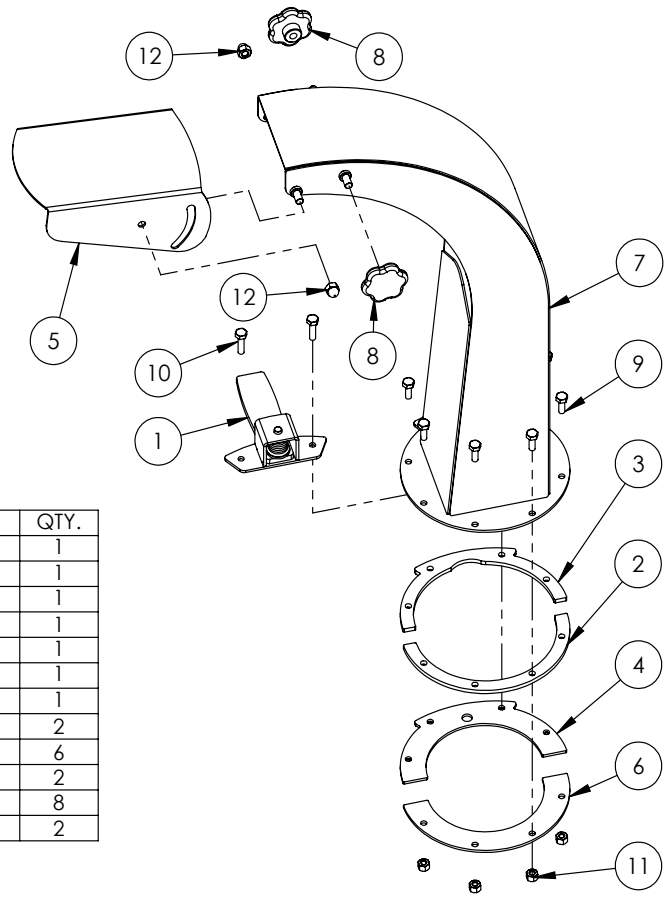
| ITEM | PART NO. | DESCRIPTION | QTY |
|------|----------|------------------------------|-----|
| 1 | 1056W101 | Housing, Bottom Rotor | 1 |
| 2 | 1056W102 | Housing, Upper Rotor | 1 |
| 3 | 1056W107 | Shredder, Chute Flapper | 1 |
| 4 | 1056W610 | Concave | 1 |
| 5 | 1056A301 | Assembly, Discharge Chute | 1 |
| 6 | 1018W107 | Chipper Chute | 1 |
| 7 | 1056W617 | Hopper Shredder Top | 1 |
| 8 | 1056L229 | Positive Stop Plate | 1 |
| 9 | Z96503 | Manual Tube 3-1/2 Short | 1 |
| 10 | 1018L994 | Chipper Chute Flap Clamp | 1 |
| 11 | 1056S604 | Flap, Hopper | 1 |
| 12 | Z25103 | 2-Bolt Flange Bearing, 1-1/4 | 2 |
| 13 | Z31301 | Spring 17mm x 140mm Medium | 1 |
| 14 | 1056M304 | Knife, 3" Ledger | 1 |
| 15 | Z78301 | Machine Screw 1/4NC x 3/4 | 4 |
| 16 | Z72111 | Hex Lock Nut 1/4NC | 7 |
| 17 | Z78303 | Machine Screw # 10NF x 1/2 | 3 |
| 18 | Z72752 | Machine Nut, # 10NF | 3 |
| 19 | Z76211 | Carriage Bolt 1/4NC x 3/4 | 3 |
| 20 | Z76121 | Flange Bolt 5/16NC x 3/4 | 8 |
| 21 | Z73131 | Washer, 3/8 | 2 |
| 22 | Z71372G8 | Hex Bolt 3/8NF x 5/8 Gr8 | 2 |
| 23 | Z72561 | Flange Nut 5/8 NC | 4 |
| 24 | Z71617 | Hex Bolt 5/8NC x 1-3/4 | 4 |
| 25 | Z72911 | Acorn Nut, 3/8NC | 2 |
| 26 | Z71310 | Hex Bolt 3/8NC x 1 | 2 |
| 27 | Z72231 | Hex Lock Nut 3/8NC | 2 |
| 28 | Z76134 | Flange Bolt, 3/8NC x 1 | 1 |



BXM32 ROTOR PARTS BREAKDOWN

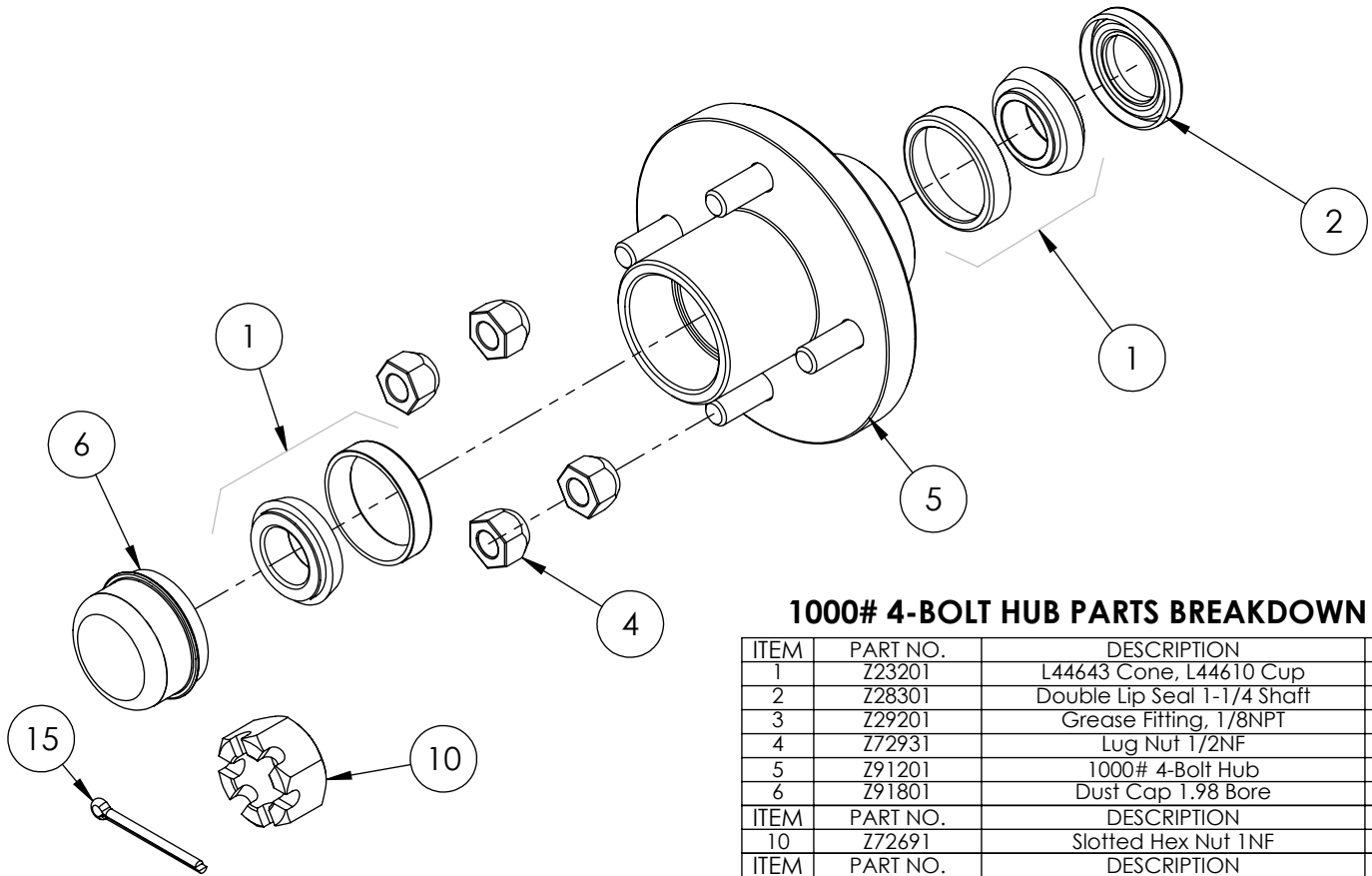
| ITEM | PART NO. | Description | QTY. |
|------|----------|--------------------------|------|
| 1 | 1056M108 | Knife,Shredder | 27 |
| 2 | 1056M115 | Spacer, Shredder .580 | 24 |
| 3 | 1056M303 | Knife, 3" Rotor | 2 |
| 4 | 1056M626 | Retainer Rod Head | 3 |
| 5 | 1056W103 | Rotor | 1 |
| 6 | 1056W614 | Hammer Retainer Pin | 3 |
| 7 | Z71372G8 | Hex Bolt, 3/8NF x 5/8 G8 | 4 |
| 8 | Z72231 | Hex Lock Nut 3/8NC | 3 |





1056A301 PARTS BREAKDOWN

| ITEM | PART NO. | Description | QTY. |
|------|----------|----------------------------|------|
| 1 | 1012W208 | Assembly, Hood Latch | 1 |
| 2 | 1056L327 | Ring | 1 |
| 3 | 1056L329 | Plate, Spacer Ring | 1 |
| 4 | 1056L330 | Plate, Hood Capture | 1 |
| 5 | 1056L333 | Deflector, Discharge Chute | 1 |
| 6 | 1056L334 | Ring | 1 |
| 7 | 1056W306 | Discharge Chute | 1 |
| 8 | Z19313 | Knob, 5/16NC Female Stud | 2 |
| 9 | Z71107 | Hex Bolt 1/4NC x 3/4 | 6 |
| 10 | Z71110 | Hex Bolt 1/4NC x 1 | 2 |
| 11 | Z72111 | Hex Lock Nut 1/4NC | 8 |
| 12 | Z72914 | Acorn Nut, 5/16NC | 2 |



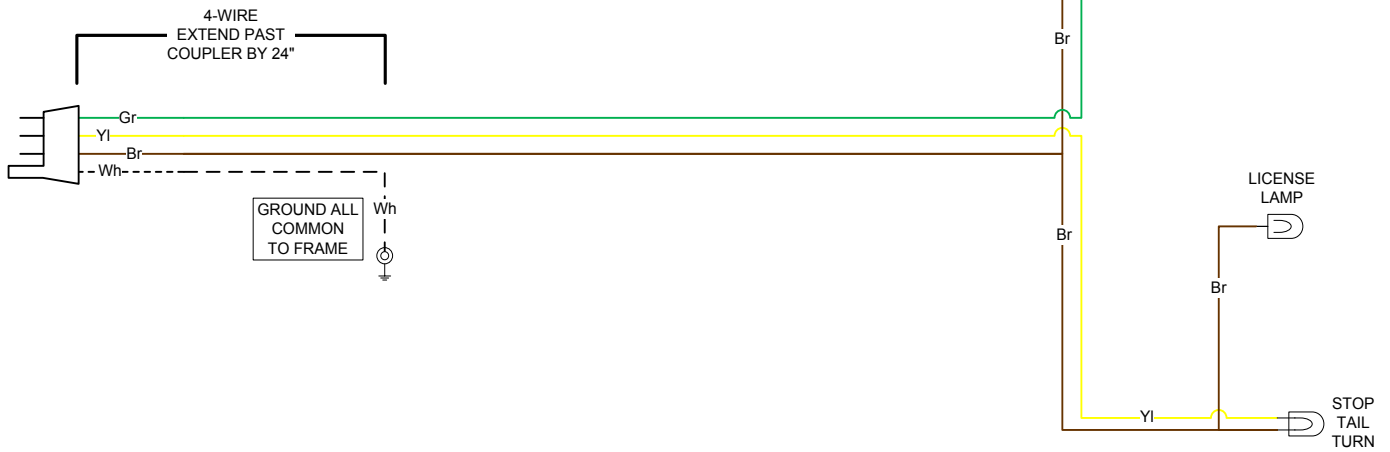
1000# 4-BOLT HUB PARTS BREAKDOWN

| ITEM | PART NO. | DESCRIPTION | QTY |
|------|----------|-----------------------------|-----|
| 1 | Z23201 | L44643 Cone, L44610 Cup | 2 |
| 2 | Z28301 | Double Lip Seal 1-1/4 Shaft | 1 |
| 3 | Z29201 | Grease Fitting, 1/8NPT | 1 |
| 4 | Z72931 | Lug Nut 1/2NF | 4 |
| 5 | Z91201 | 1000# 4-Bolt Hub | 1 |
| 6 | Z91801 | Dust Cap 1.98 Bore | 1 |
| ITEM | PART NO. | DESCRIPTION | QTY |
| 10 | Z72691 | Slotted Hex Nut 1NF | 1 |
| ITEM | PART NO. | DESCRIPTION | QTY |
| 15 | Z12322 | Cotter Pin 3/16 X 2 | 1 |

BXMT3213 WIRING

| KEY | |
|-----|----------|
| Bl | - BLUE |
| Br | - BROWN |
| Gr | - GREEN |
| Rd | - RED |
| Yl | - YELLOW |
| Bk | - BLACK |
| Wh | - WHITE |

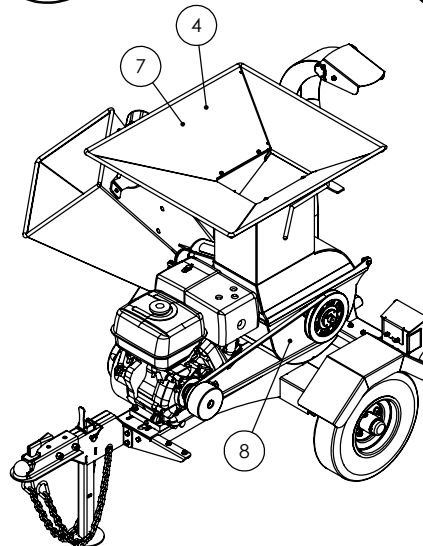
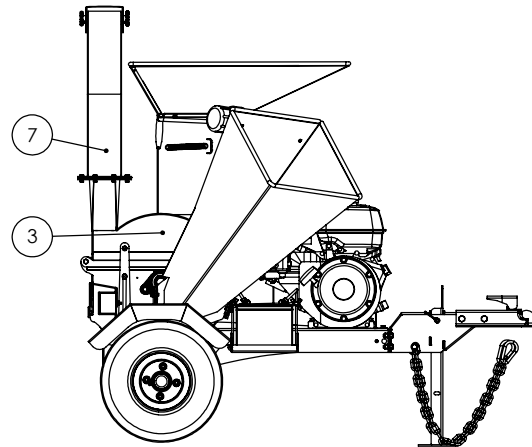
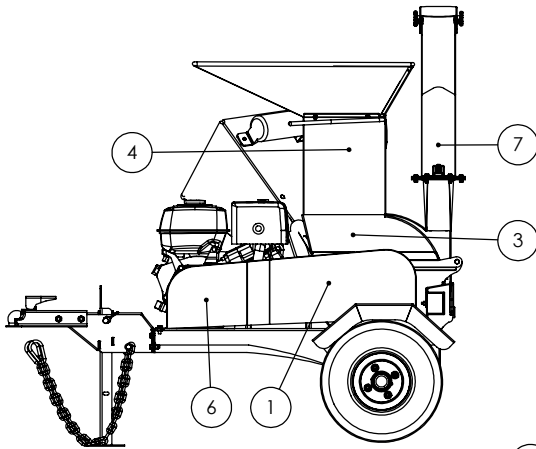
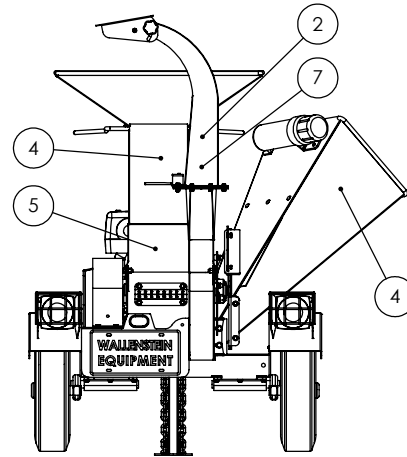
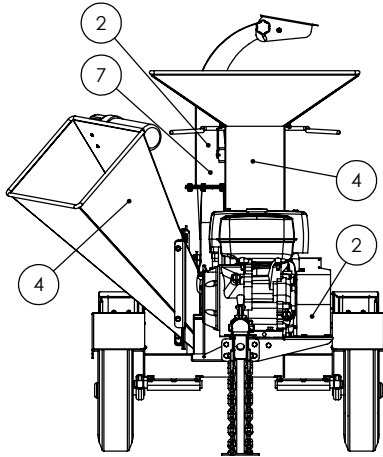
RIGHT SIDE



LEFT SIDE

BXMT3213 DECAL BREAKDOWN

| ITEM | PART NO. | DESCRIPTION | QTY |
|------|----------|--------------------------------|-----|
| 1 | Z94056 | WALLENSTEIN Decal | 1 |
| 2 | Z94019 | 1" Dia. Made In Canada | 3 |
| 3 | Z94063 | BXMT3213 Decal | 2 |
| 4 | Z94007 | DANGER - Rotating Blades | 6 |
| 5 | Z94006 | CAUTION - Read Manual | 1 |
| 6 | Z94012 | WARNING - Rotating Part Hazard | 1 |
| 7 | Z94008 | DANGER - Thrown Object Hazard | 5 |
| 8 | Z94013 | DANGER - Missing Guard | 1 |



Decals BMXT3213

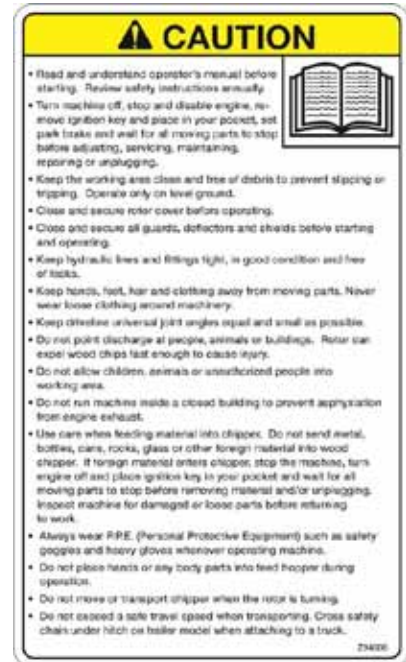
Z94056



Z94063



Z94006



Z94019



Z94007



Z94013



Z94012



Z94008





WALLENSTEIN Products Manufactured by:

EMB MFG Inc.

4144 Boomer Line
St. Clements, Ontario
Canada N0B 2M0
Phone: 1-877-695-9283
Fax: 519-699-4146
www.embmfg.com