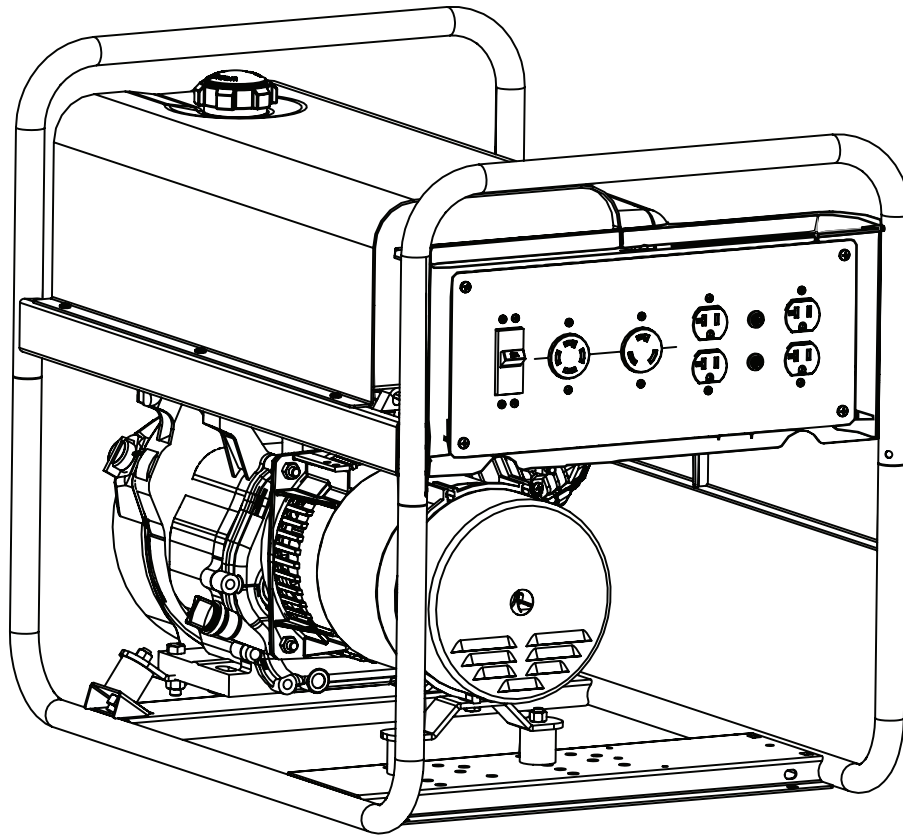




EMB Manufacturing Inc.
4144 Boomer Line · St. Clements, On · N0B 2M0 · Canada
Ph: (519) 699-9283 · Fax: (519) 699-4146
www.embmfg.com

EU7200/EU7200E Generator Parts Manual



Refer to the operators
manual for safe
operation and
maintenance

Foreword

EMB Mfg. has prepared this parts manual to assist customers in ordering quality OEM replacement parts.

Proper and regular service and replacing old, worn or broken parts with the correct OEM parts are essential to prolonging the life of your EMB product. Please refer to this manual before ordering any replacement parts.

All information contained in this parts manual is based on the latest product specification available at the time of printing this manual. If your product differs from the specifications contained within this manual contact EMB Mfg. for information.

EMB reserves the right to alter specifications on their products at any time.

Reproduction of this parts manual of any kind is prohibited without prior written permission from EMB Mfg.

For parts and information please contact your dealer. If your dealer is no longer available please go to our website: <http://www.embmfg.com> and click on "FIND A DEALER NEAR YOU" for information on a local dealer.

Table of Contents

Bolt Torque.....	4
EU72000 Assembly.....	5
Electrical Panel Assembly	6
Alternator.....	7
Wiring Diagram	8
Accessories.....	9

Alternator maintenance should be performed by trained personnel only.



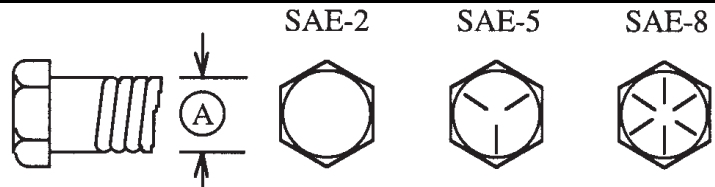
Exercise extreme caution when working with exposed wiring of the alternator, be aware that high voltage discharge of the capacitor is a danger.

Bolt Torque

CHECKING BOLT TORQUE

The tables shown below give correct torque values for various bolts and capscrews. Tighten all bolts to the torques specified in chart unless otherwise noted. Check tightness of bolts periodically, using bolt torque chart as a guide. Replace hardware with the same strength bolt.

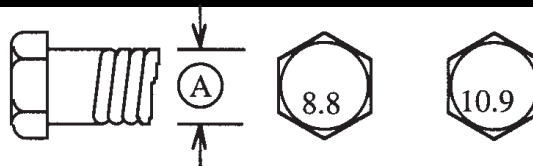
ENGLISH TORQUE SPECIFICATIONS						
Bolt Diameter "A"	Bolt Torque*					
	SAE 2 (N.m) (lb-ft)		SAE 5 (N.m) (lb-ft)		SAE 8 (N.m) (lb-ft)	
1/4"	8	6	12	9	17	12
5/16"	13	10	25	19	36	27
3/8"	27	20	45	33	63	45
7/16"	41	30	72	53	100	75
1/2"	61	45	110	80	155	115
9/16"	95	60	155	115	220	165
5/8"	128	95	215	160	305	220
3/4"	225	165	390	290	540	400
7/8"	230	170	570	420	880	650
1"	345	225	850	630	1320	970



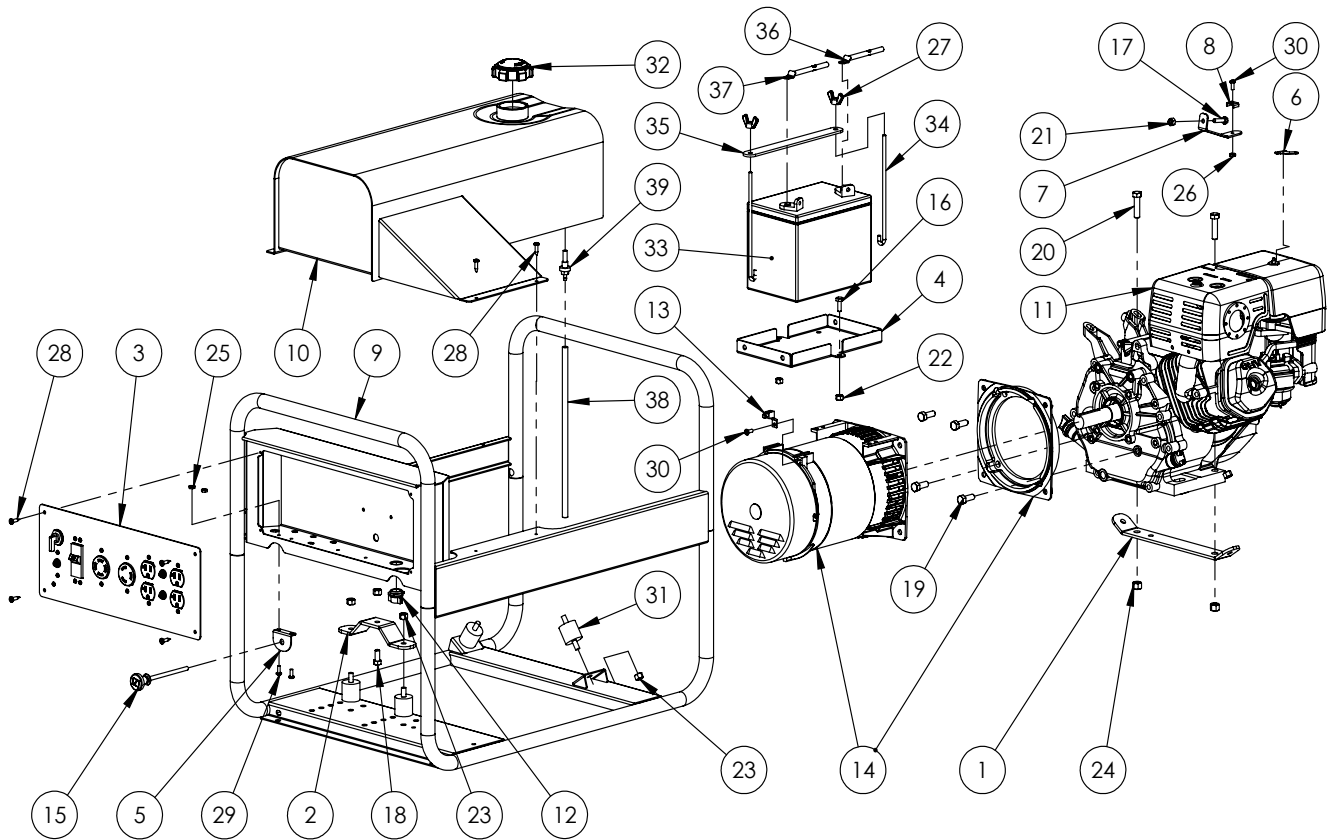
Torque figures indicated above are valid for non-greased or non-oiled threads and heads unless otherwise specified. Therefore, do not grease or oil bolts or capscrews unless otherwise specified in this manual. When using locking elements, increase torque values by 5%.

* Torque value for bolts and capscrews are identified by their head markings.

METRIC TORQUE SPECIFICATIONS				
Bolt Diameter "A"	Bolt Torque*			
	8.8 (N.m) (lb-ft)		10.9 (N.m) (lb-ft)	
M3	0.5	0.4	1.8	1.3
M4	3	2.2	4.5	3.3
M5	6	4	9	7
M6	10	7	15	11
M8	25	18	35	26
M10	50	37	70	52
M12	90	66	125	92
M14	140	103	200	148
M16	225	166	310	229
M20	435	321	610	450
M24	750	553	1050	774
M30	1495	1103	2100	1550
M36	2600	1917	3675	2710



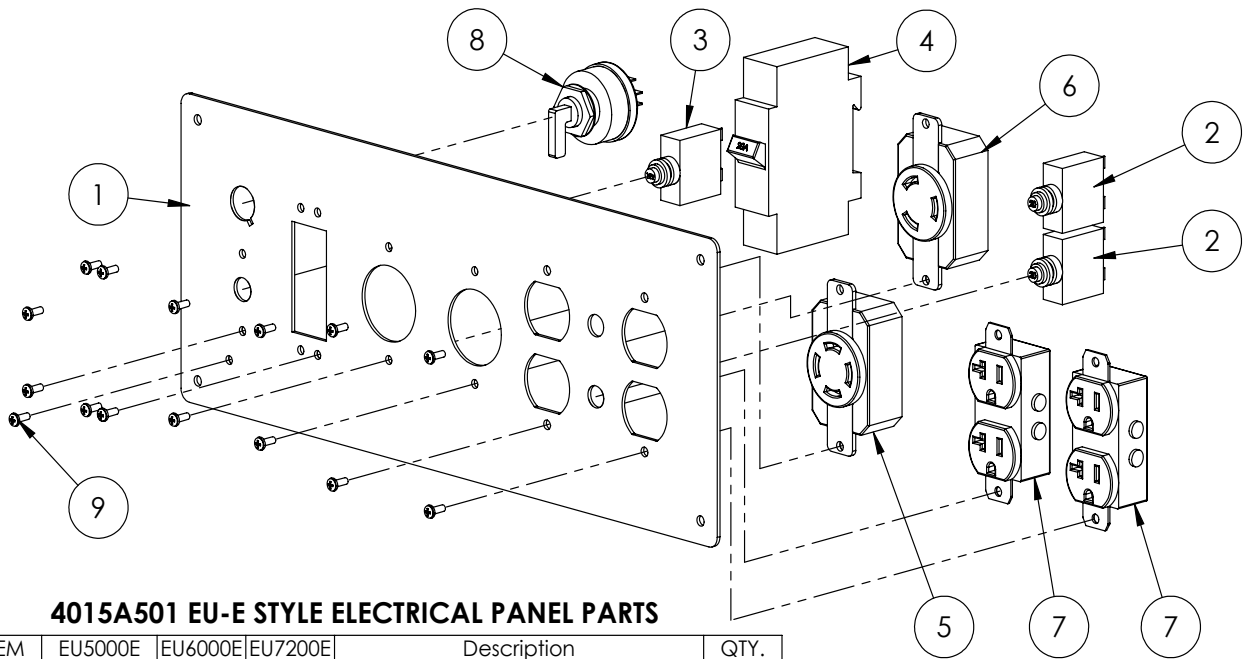
EU7200 Assembly



EU SERIES GENERATOR PARTS BREAKDOWN

ITEM	EU5000E	EU6000E	EU7200E	EU5000	EU6000	Description	QTY.
1			4014L405			Engine Mount Plate	1
2			4014L406			1-3/16" Offset Gen Plate	1
3		4015A501		4015A101		Assembly, Electrical Panel	1
4		4015L504		-		Tray, Battery	1
5		4015L517		-		Bracket, Choke Cable	1
6		4015L555		-		Bracket, Choke Lever	1
7		4015L556		-		Bracket, Cable Mount	1
8		4015L557		-		Clamp, Choke Cable	1
9			4015W501			Main Frame, EU/GF Style	1
10			4015W505			Fuel Tank, EU / GF Style	1
11	Z47138	-	-	Z47137	-	Honda 9hp Engine	1
	-	Z47143	-	-	Z47142	Honda 11hp Engine	
	-	-	Z47148	-	-	Honda 13hp Engine	
12			Z62261			Box Connector, 3/8	1
			Z62711			Grounding Terminal, 6-14	
14	Z65404	-	-	Z65404	-	Alternator, 4.9 kVA	1
	-	Z65405	-	-	Z65405	Alternator, 6.0 kVA	
	-	-	Z65406	-	-	Alternator, 6.8 kVA	
15		Z66801		-		Choke Cable	1
16		Z71107				Hex Bolt 1/4NC x 3/4	2
17		Z71110				Hex Bolt 1/4NC x 1	3
18			Z71207			Hex Bolt 5/16NC x 3/4	1
19			Z71310			Hex Bolt 3/8NC x 1	4
	Z71315	-	-	Z71315	-	Hex Bolt 3/8NC x 1-1/2	
20	-	Z71317	Z71317	-	Z71317	Hex Bolt 3/8NC x 1-3/4	2
22		Z72111				Hex Lock Nut 1/4NC	2
23			Z72221			Hex Lock Nut 5/16NC	9
			Z72231			Hex Lock Nut 3/8NC	
24						Hex Lock Nut 3/8NC	2
25		Z72752		-		Machine Nut, #10NF	2
26		Z72752		-		Machine Nut, #10NF	1
27		Z72921		-		Wing Nut 1/4NF	2
28			Z76712			Self-tapping Screw #10	9
29		Z78303		-		Machine Screw #10NF x 1/2	4
31			Z79931			Rubber Mount	4
32			Z93103			Fuel Cap	1
33		Z93201		-		250 CCA Battery	1
34		Z93202		-		J-Hook 1/4 x 7	2
35		Z93207		-		Hold-Down Strap, 1 x 8-1/2	1
36		Z93208		-		Battery Cable, Neg 20"	1
37		Z93211		-		Battery Cable, Pos 32"	1
38			Z93304			Fuel Line, 1/4" x 12"	1
39			Z93305			In-Line Filter, 1/4	1

Electrical Panel Assembly



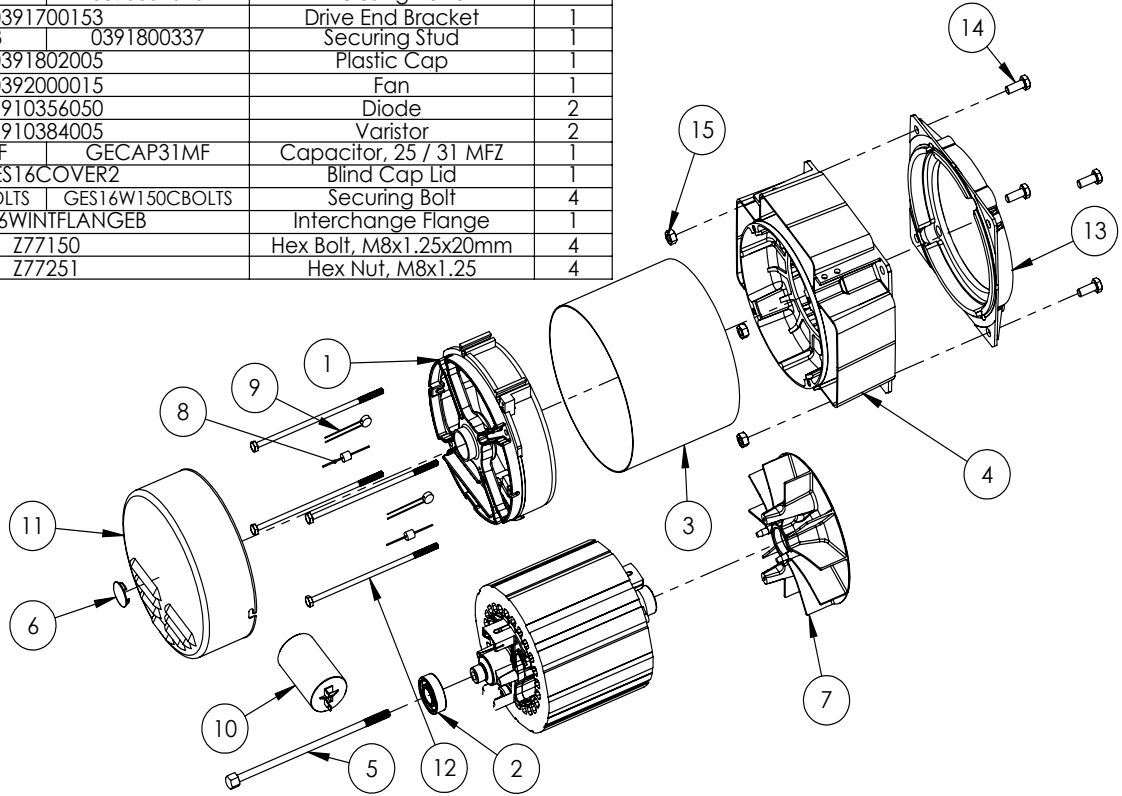
4015A501 EU-E STYLE ELECTRICAL PANEL PARTS

ITEM	EU5000E	EU6000E	EU7200E	Description	QTY.
1	4015L550			Panel, EU-E Style	1
2	Z62612			Popout Breaker, 20A	2
3	Z62615			Popout Breaker, 12V	1
4	Z62602	Z62616	Z62616	Thermal Breaker, 12A / 15A / 15A	1
5	Z63403			Recp., 30A 125/250V L14-30	1
6	Z63404			Recp., 30A 125V L5-30	1
7	Z63406			Recp, 20A 125V 5-15R	2
8	Z66105			Honda Starter, Key Switch	1
9	Z78304			Machine Screw, #6NC x 3/8	15

Alternator

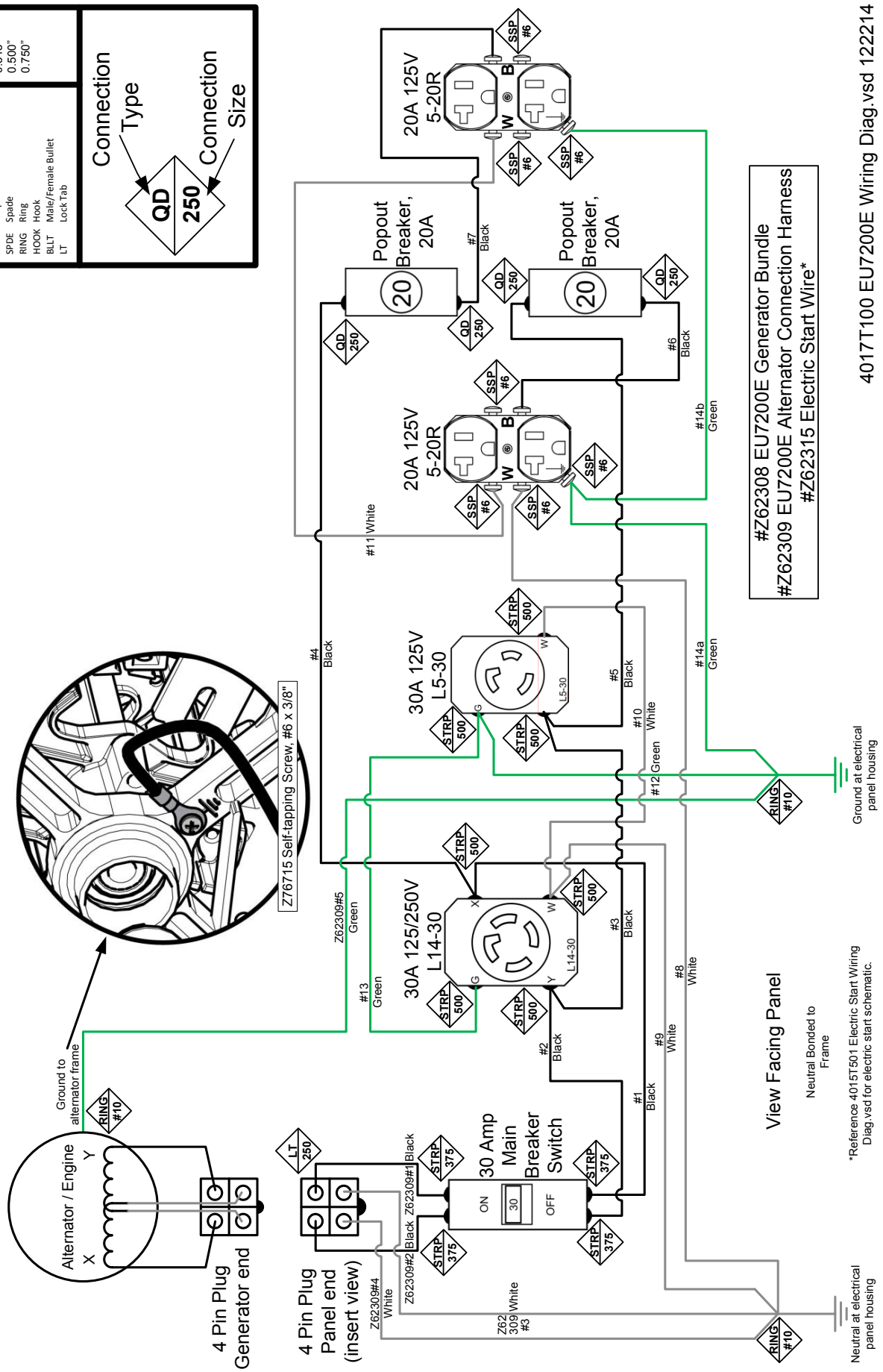
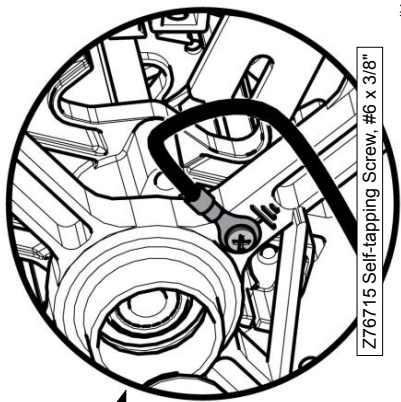
Z65405 6 kVA / Z65406 6.8 kVA ALTERNATOR PARTS BREAKDOWN

ITEM	Z65405	Z65406	Description	QTY.
1	0390302209		Non Drive End Bracket	1
2	0390302521		Rear Bearing	1
3	0390601043	0390601046	Enclosing Band	1
4	0391700153		Drive End Bracket	1
5	0391800323	0391800337	Securing Stud	1
6	0391802005		Plastic Cap	1
7	0392000015		Fan	1
8	9910356050		Diode	2
9	9910384005		Varistor	2
10	GECAP25MF	GECAP31MF	Capacitor, 25 / 31 MFZ	1
11	GES16COVER2		Blind Cap Lid	1
12	GES16W130CBOLTS	GES16W150CBOLTS	Securing Bolt	4
13	GES16WINTFLANGEB		Interchange Flange	1
14	Z77150		Hex Bolt, M8x1.25x20mm	4
15	Z77251		Hex Nut, M8x1.25	4



Wiring Diagram

Connection Identification	
Connection Type	Sizes:
QD Male/Female Quick Disconnect	#6
SR Serrated Ring	#8
SSP Snap Spade	#10
FOD Flag Quick Disconnect	0.156"
POD Piggy Back Quick Disconnect	0.250"
STRP Strip	0.313"
SPDE Spade	0.500"
RING Ring	0.750"
HOOK Hook	
BLLT Male/Female bullet	
LT Lock Tab	



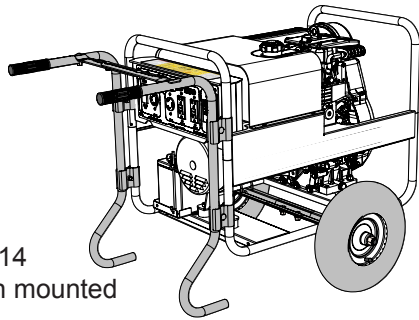
#Z62308 EU7200E Generator Bundle
#Z62309 EU7200E Alternator Connection Harness
#Z62315 Electric Start Wire*

4017T100 EU7200E Wiring Diag.vsd 122214

*Reference 4015T501 Electric Start Wiring Diag.vsd for electric start schematic.

Accessories

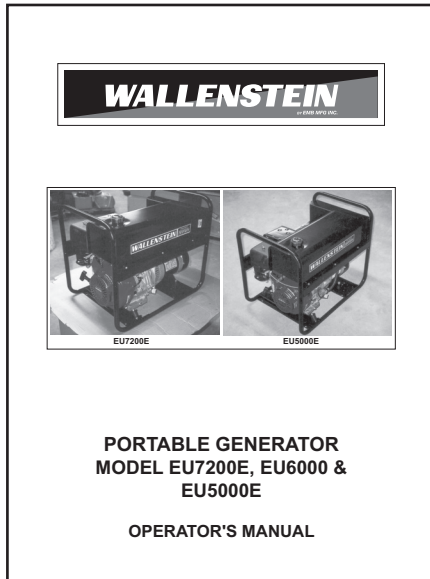
Call your dealer for pricing and availability



#WK214
Shown mounted

#WK210 TWO WHEEL KIT WITH 10" TIRES
#WK214 TWO WHEEL KIT WITH 14" TIRES

A must have add on kit for true portability!
Kit consist of handles and axle with tires The kit is easy to install and simply clamps on to the existing frame.



#Z91035
EU7200E, EU6000,
& EU5000E
OPERATOR'S MANUAL

Available as a download at
www.embmfg.com