



# WX310 Tractor Mount Splitter Parts Manual

S/N 100001 & After



## Foreword

EMB Mfg. has prepared this parts manual to assist customers in ordering quality OEM replacement parts.

Proper and regular service and replacing old, worn or broken parts with the correct Wallenstein parts are essential to prolonging the life of your Wallenstein product. Please refer to this manual before ordering any replacement parts.

All information contained in this parts manual is based on the latest product specification available at the time of printing this manual. If your product differs from the specifications contained within this manual contact EMB Mfg. for information.

EMB reserves the right to alter specifications on their products at any time.

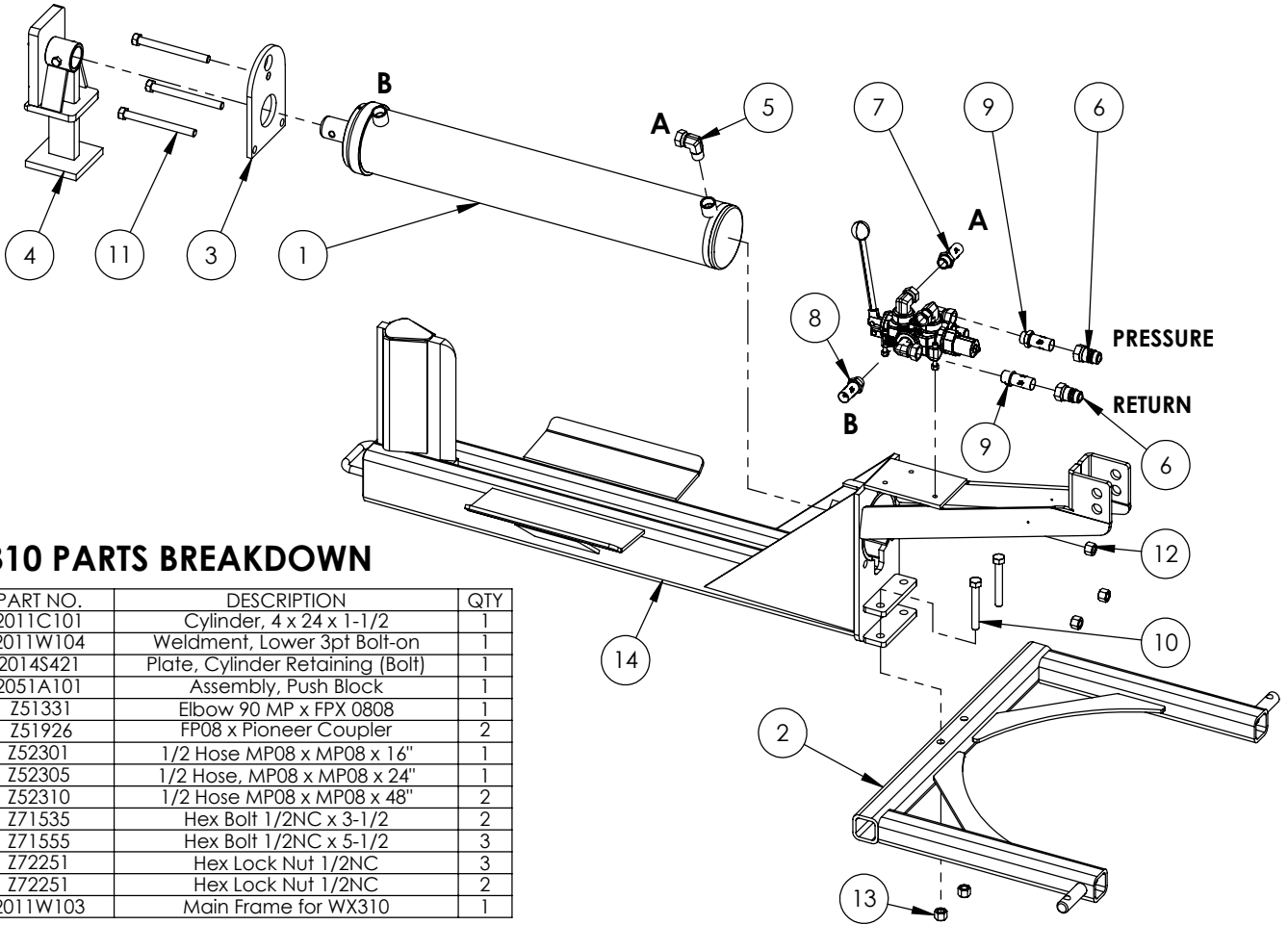
Reproduction of this parts manual of any kind is prohibited without prior written permission from EMB Mfg.

**Note:** Products with factory installed light kits will have a VIN number included. The last six numbers of this VIN number are the splitters serial number

Example: 2E9US1112BSXXXXXX

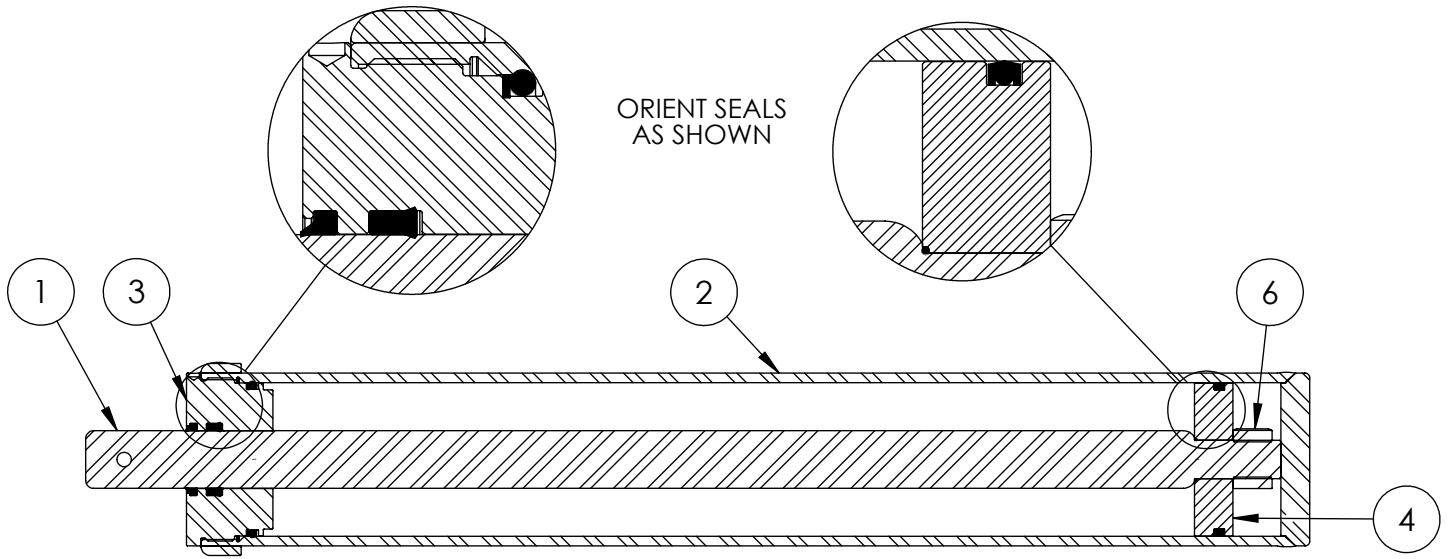
# Table of Contents

Main Parts	4
Cylinder	5
Valve Assembly	6
Valve and Fittings	7
Decal Breakdown	8



**WX310 PARTS BREAKDOWN**

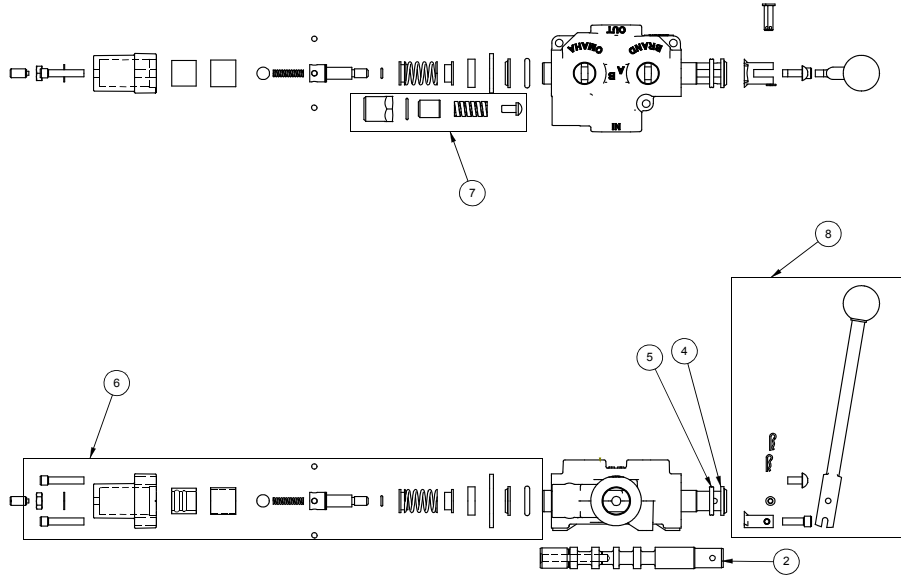
ITEM	PART NO.	DESCRIPTION	QTY
1	2011C101	Cylinder, 4 x 24 x 1-1/2	1
2	2011W104	Weldment, Lower 3pt Bolt-on	1
3	2014S421	Plate, Cylinder Retaining (Bolt)	1
4	2051A101	Assembly, Push Block	1
5	Z51331	Elbow 90 MP x FPX 0808	1
6	Z51926	FP08 x Pioneer Coupler	2
7	Z52301	1/2 Hose MP08 x MP08 x 16"	1
8	Z52305	1/2 Hose, MP08 x MP08 x 24"	1
9	Z52310	1/2 Hose MP08 x MP08 x 48"	2
10	Z71535	Hex Bolt 1/2NC x 3-1/2	2
11	Z71555	Hex Bolt 1/2NC x 5-1/2	3
12	Z72251	Hex Lock Nut 1/2NC	3
13	Z72251	Hex Lock Nut 1/2NC	2
14	2011W103	Main Frame for WX310	1



**4" x 24" STROKE CYLINDER PARTS**

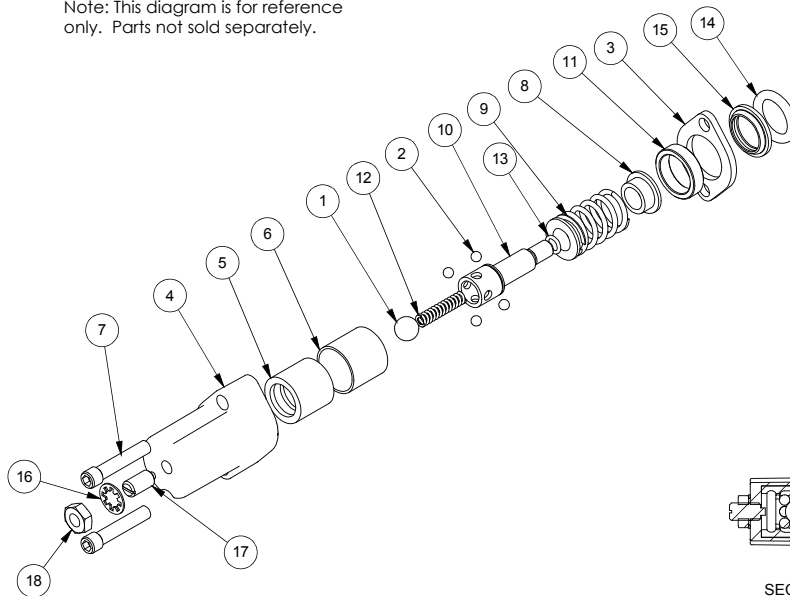
ITEM	PART NO.	Description	QTY.
1	2011C1012	Rod, 1-1/2 x 1	1
2	2011C1014	Barrel, 4"	1
3	G400-150SA	4" Bore x 1-1/2" Rod Gland	1
4	P100-400SA	4" Bore Piston	1
5	SLK-4015	Seal Kit, 4 x 1-1/2	1
6	Z72292G8	Hex Lock Nut 1NF Grade 8	1

# Valve Assembly

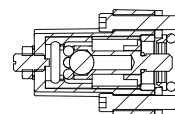


ITEM NO.	QTY.	PART NO.	DESCRIPTION
1	1	AOCAS1B	AO CASTING
2	1	LS304T4J	SPOOL
3	1	P1740	NAME TAG
4	1	SF305	WIPER
5	1	SF304	QUAD RING
6	1	SUB-LS	SUB-LS
		B5057	7/16 BALL
4		DC7604	3/16 BALL
1		SF306	RETAINER
1		SF477L	SH LS ENDCAP
1		XDC672	LS SLEEVE
1		SF483	SPACER
2		SF486	ALLEN SCREW
2		SF489	CENTER STOP
1		SF490	CENTERING SPRING
1		SF492	HOUSING
1		SF315	SPACER
1		LS305	DETENT SPRING
1		DC7583	O-RING 3-902
1		SF496	O-RING, BLUE, METRIC
1		LS306	LS WIPER
1		SF502	5/16 LOCK WASHER
1		SF503	PLUNGER SPRING
1		SF504	5/16 HEX JAM NUT
7	1	SUB-R	RELIEF
1		P1603	CAP NUT
1		SF322	O-RING 2-016
1		SF364A	ADJ. SCREW
1		B505	SPRING
1		SF361A	POPPET
8	1	Z56915	HANDLE KIT
1		SF377	RETAINER
1		SF376	SEAL RETAINER
1		SF367A	CLEVIS
1		SF368	HANDLE
2		SF369	PIN
2		P1767	PIN CLIP
1		HP5	MACH. SCREW
1		SF311	KNOB
1		SF308	CAP SCREW
1		SF303T4J	SPOOL
9	1	P1654	WARNING TAG

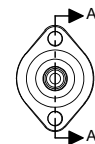
Note: This diagram is for reference only. Parts not sold separately.

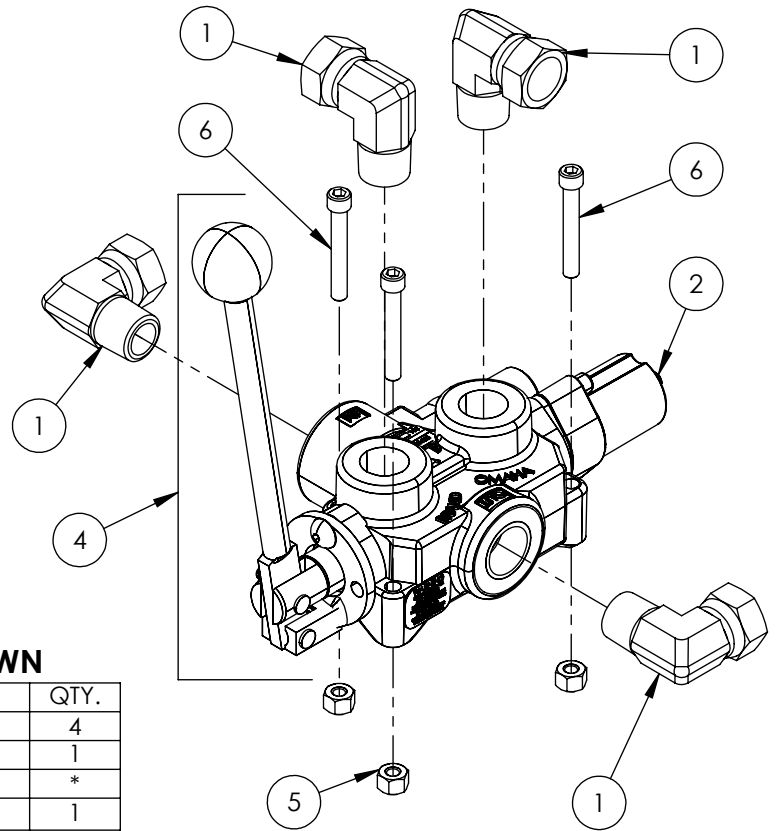


ITEM NO.	QTY.	PART NO.	DESCRIPTION
1	1	B5057	7/16 BALL
2	4	DC7604	3/16 BALL
3	1	SF306	RETAINER
4	1	SF477L	SH LS ENDCAP
5	1	SF480	SD SLEEVE
6	1	SF483	SPACER
7	2	SF486	ALLEN SCREW
8	2	SF489	CENTER STOP
9	1	SF490	CENTERING SPRING
10	1	SF492	HOUSING
11	1	SF315	SPACER
12	1	LS305	DETENT SPRING
13	1	DC7583	O-RING 3-902
14	1	SF496	METRIC O-RING
15	1	LS306	LS WIPER
16	1	SF502	5/16 LOCK WASHER
17	1	SF503	SPRING PLUNGER
18	1	SF504	5/16 HEX JAM NUT



SECTION A-A





**VALVE AND FITTINGS PARTS BREAKDOWN**

ITEM	PART NO.	Description	QTY.
1	Z51331	Elbow 90 MP x FPX 0808	4
2	Z56209	Valve, Single Function Detent	1
3	*Z56210*	Valve, Closed Center	*
4	Z56915	Complete Handle Kit for Z56209	1
5	Z72111	Hex Lock Nut 1/4NC	3
6	Z75114	SHCS, 1/4NC x 1-3/4	3

\*CLOSED CENTER VALVE REQUIRED FOR "C" MODELS.\*

# WX310 Splitter Decals

Z94056



Z94067



Z94066



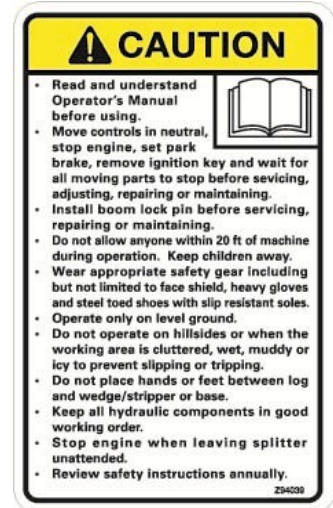
Z94019



Z94040



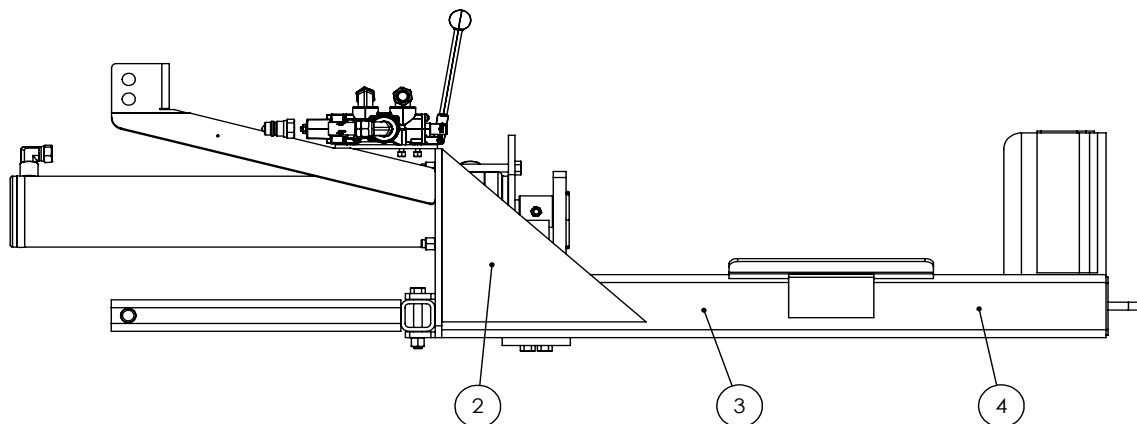
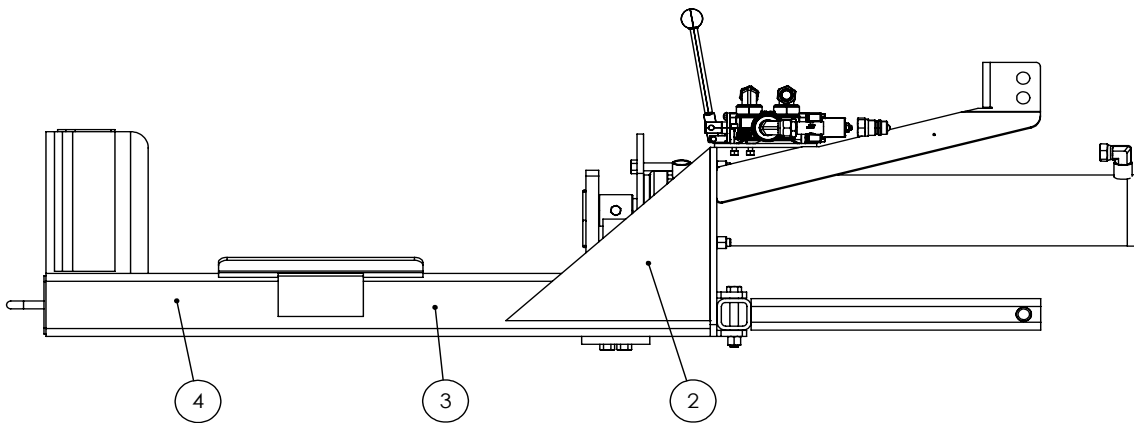
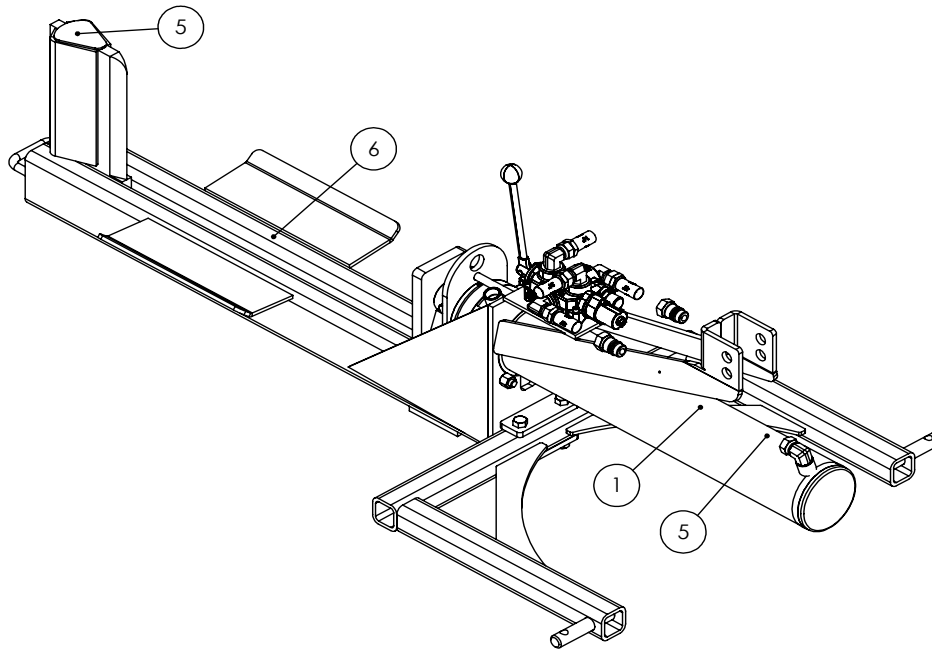
Z94039





### WX310 DECAL BREAKDOWN

ITEM	PART NO.	DESCRIPTION	QTY
1	Z94039	CAUTION - Read Manual	1
2	Z94040	WARNING - Moving Wedge	2
3	Z94067	Clear Guide	2
4	Z94056	Wallenstein	2
5	Z94019	Made in Canada	2
6	Z94066	Apply Oil or Grease	1



# Two Panel 3PH Splitter Decals

Z94019



Z94067



Z94056



Z94119



Z94123

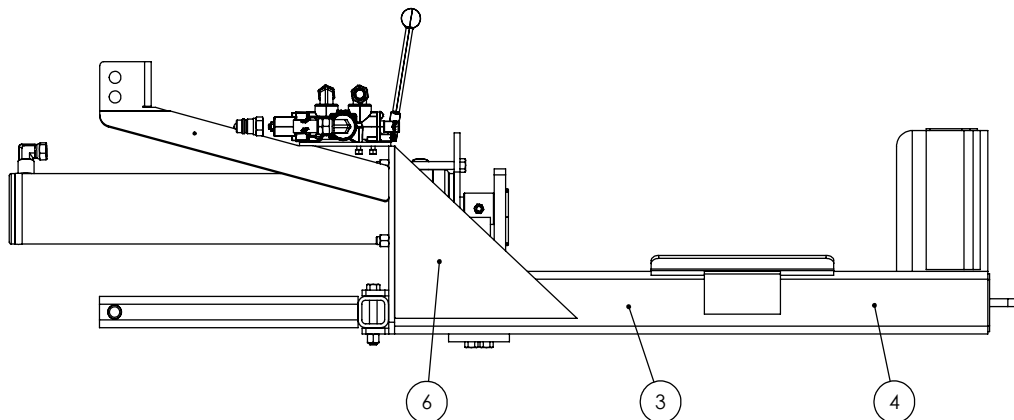
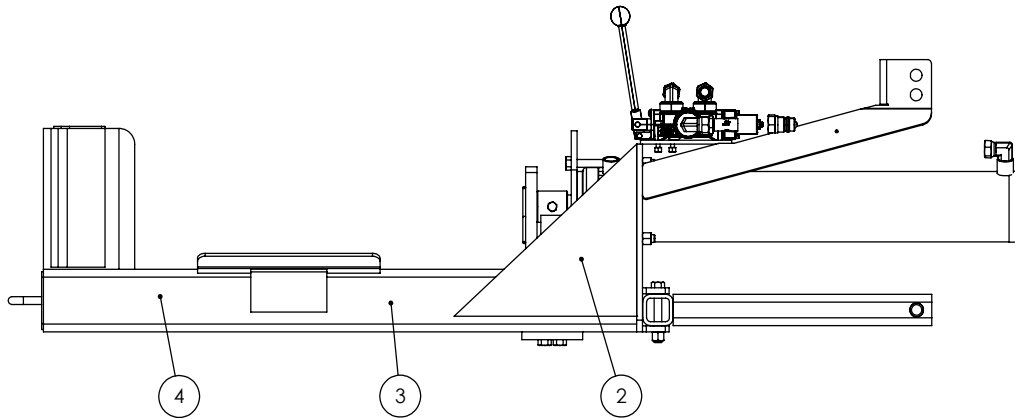
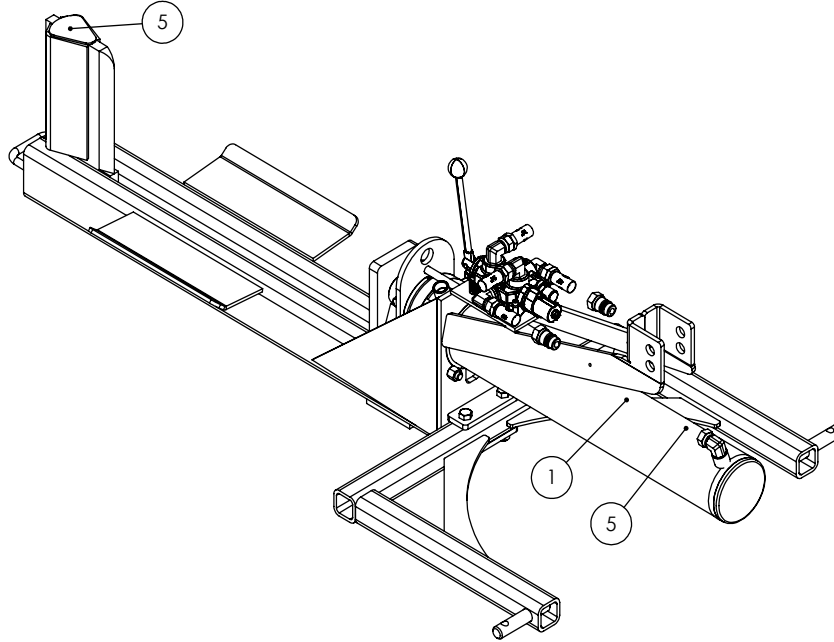


Z94124



### TWO PANEL WX310 DECAL BREAKDOWN

ITEM	PART NO.	DESCRIPTION	QTY
1	Z94119	CAUTION - Read Manual	1
2	Z94123	Keep Feet Back	1
3	Z94067	Clear Guide	2
4	Z94056	Wallenstein	2
5	Z94019	Made in Canada	2
6	Z94124	Keep Hands Back	1





**WALLENSTEIN Products Manufactured by:**

**EMB MFG Inc.**

4144 Boomer Line  
St. Clements, Ontario  
Canada N0B 2M0  
Phone: 1-877-695-9283  
Fax: 519-699-4146  
[www.embmfg.com](http://www.embmfg.com)