



MX50G Manure Spreader Parts Manual



Foreword

EMB Mfg. has prepared this parts manual to assist customers in ordering quality OEM replacement parts.

Proper and regular service and replacing old, worn or broken parts with the correct Wallenstein parts are essential to prolonging the life of your Wallenstein product. Please refer to this manual before ordering any replacement parts.

All information contained in this parts manual is based on the latest product specification available at the time of printing this manual. If your product differs from the specifications contained within this manual contact EMB Mfg. for information.

EMB reserves the right to alter specifications on their products at any time.

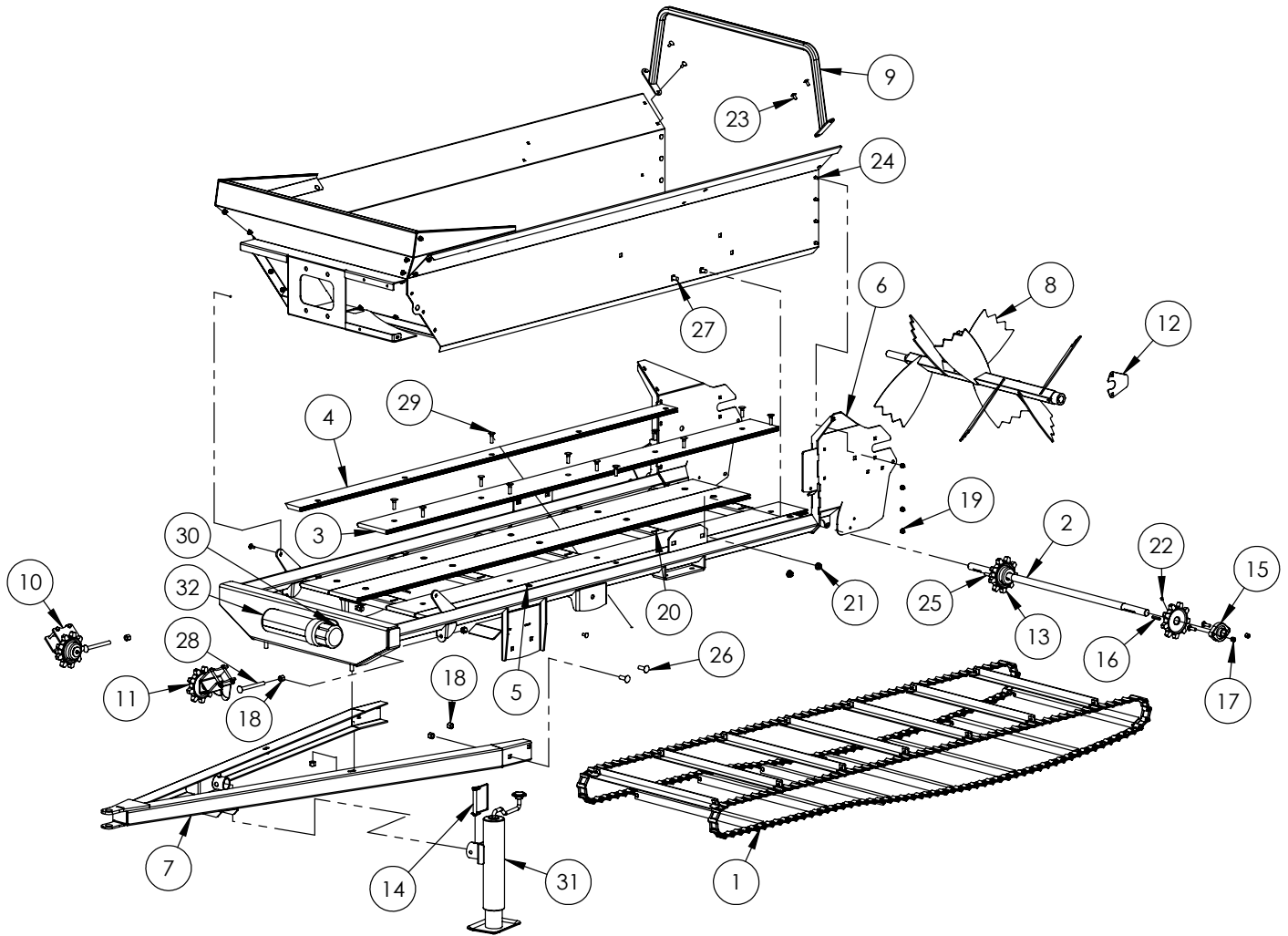
Reproduction of this parts manual of any kind is prohibited without prior written permission from EMB Mfg.

Note: Products with factory installed light kits will have a VIN number included. The last six numbers of this VIN number are the splitters serial number

Example: 2E9US1112BSXXXXXX

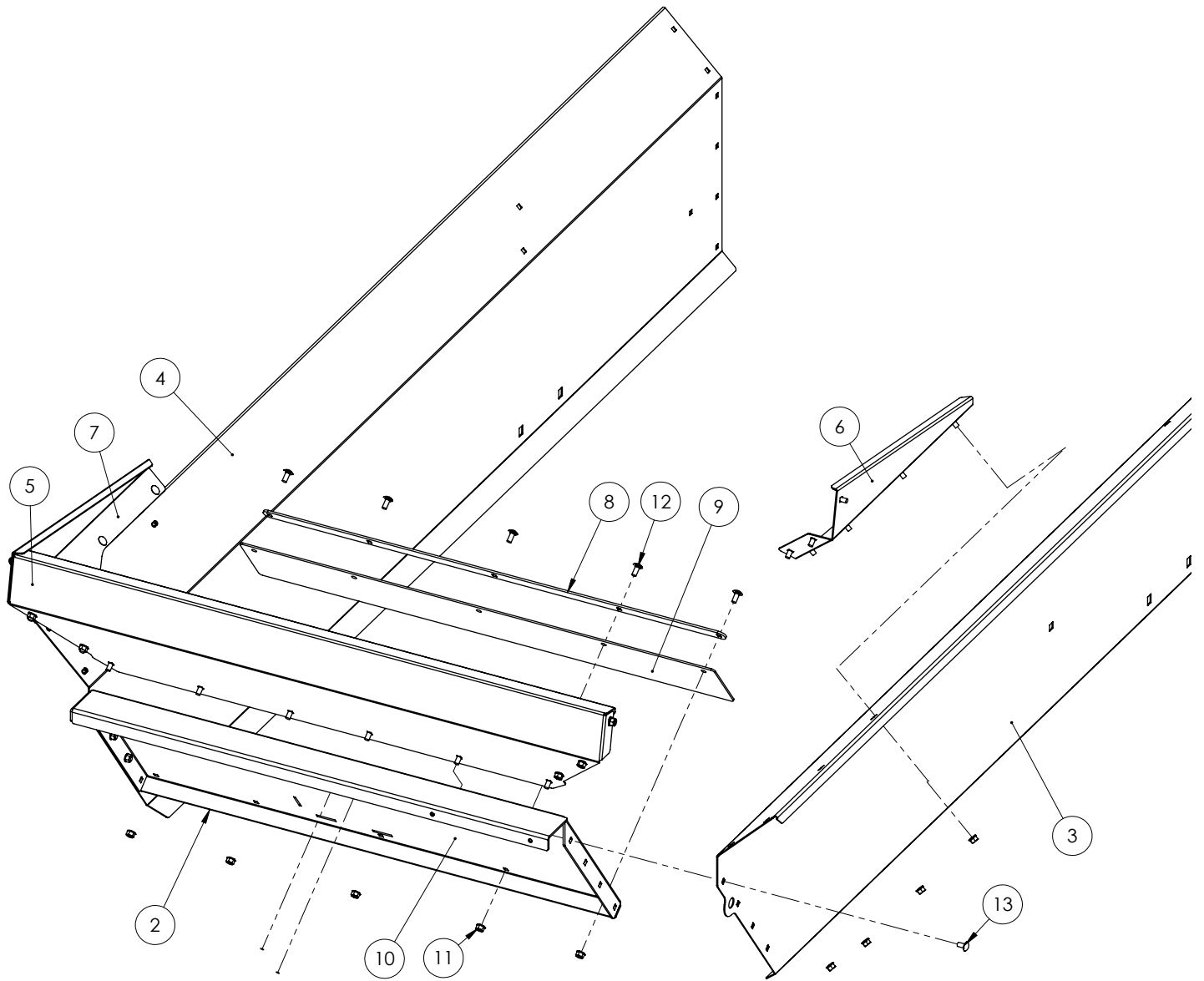
Table of Contents

Main Parts	4
Box Frame	5
Apron Chain & Front Sprocket	6
Apron Chain Ratchet	7
Ground Drive Engagement	8
Ground Drive Parts	9
Axle	11
Decals	12



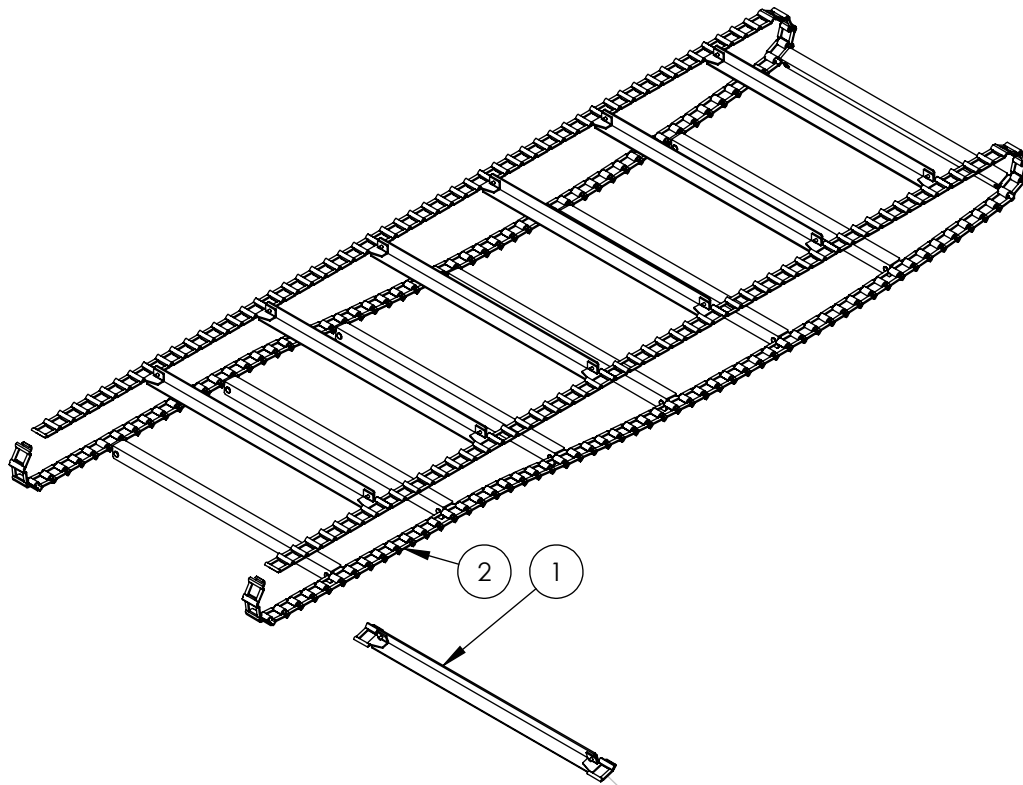
MX50 MAIN PARTS BREAKDOWN

ITEM	PART NO.	DESCRIPTION	QTY
1	7013A302	Assembly, Apron Chain	1
2	7013M303	Shaft, Rear Apron Drive	1
3	7013S305	Floor Board, Full	4
4	7013S306	Floor Board, Right End	1
5	7013S307	Floor Board, Left End	1
6	7013W301	MX50 Main Frame	1
7	7013W302	MX50 Hitch Frame	1
8	7012W516	Beater Bar, Ground Drive	1
9	7013W317	Crossbar	1
10	7015A505	Assy, Front Apron Sprocket RH	1
11	7015A506	Assy, Front Apron Sprocket LH	1
12	7015L560	Plate, Beater Bar Capture	2
13	7015M501	Sprocket, Apron Chain Rear	2
14	Z12441	Snapper Pin 1/2 x 41/2	1
15	Z25102	FD 2Bolt Flange Bearing 1"	2
16	Z46532	Key 1/4 x 1/4 x 11/2	2
17	Z72231	Hex Lock Nut 3/8NC	4
18	Z72251	Hex Lock Nut 1/2NC	10
19	Z72521	Flange Nut 5/16NC	14
20	Z72531	Flange Nut 3/8NC	30
21	Z72551	Flange Nut 1/2NC	4
22	Z74121	Set Screw 5/16NC	4
23	Z76221	Carriage Bolt 5/16NC x 3/4	6
24	Z76222	Carriage Bolt 5/16NC x 5/8	8
25	Z76237	Carriage Bolt 3/8NC x 11/4 Extra Short Neck	4
26	Z76251	Carriage Bolt 1/2NC x 11/2	6
27	Z76252	Carriage Bolt 1/2NC x 1	4
28	Z76253	Carriage Bolt 1/2NC x 5	2
29	Z76631	Plow Bolt 3/8NC x 11/2	30
30	Z76712	Selftapping Screw #10	4
31	Z91513	TopWind 10" Swivel Jack	1
32	Z96502	Manual Tube 31/2	1

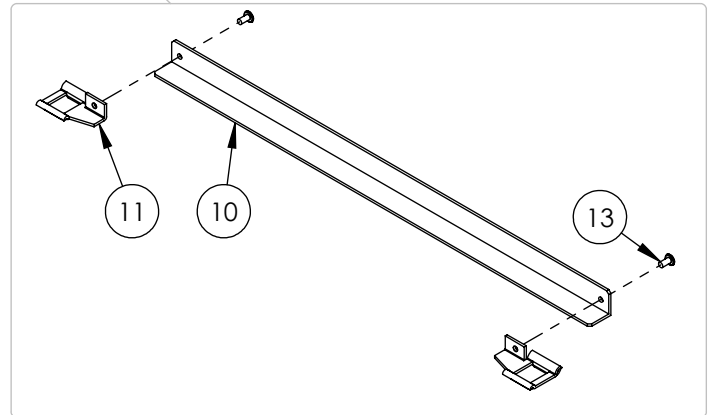
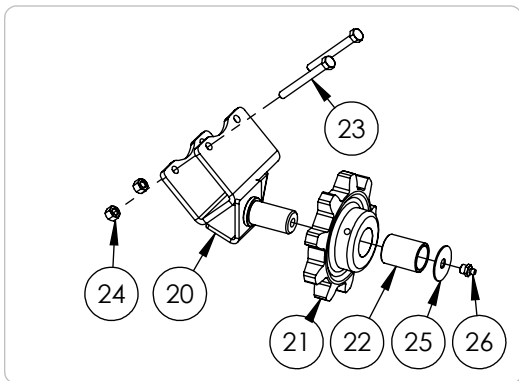


MX50 BOX PARTS BREAKDOWN

ITEM	PART NO.	DESCRIPTION	QTY
1	7014L453	Engaging Arm Mounting Bracket	1
2	7013L307	Front Panel, Ground Drive	1
3	7013L305	Side Panel LH	1
4	7013L306	Side Panel RH	1
5	7013L340	Splash Guard, Top	1
6	7015L542	Splash Guard, LH	1
7	7015L543	Splash Guard, RH	1
8	7013L361	Clamp, Floor Seal	1
9	7013S308	Floor Seal	1
10	7013W303	Box Front, PTO	1
11	Z72521	Flange Nut 5/16NC	31
12	Z76221	Carriage Bolt 5/16NC x 3/4	7
13	Z76222	Carriage Bolt 5/16NC x 5/8	24

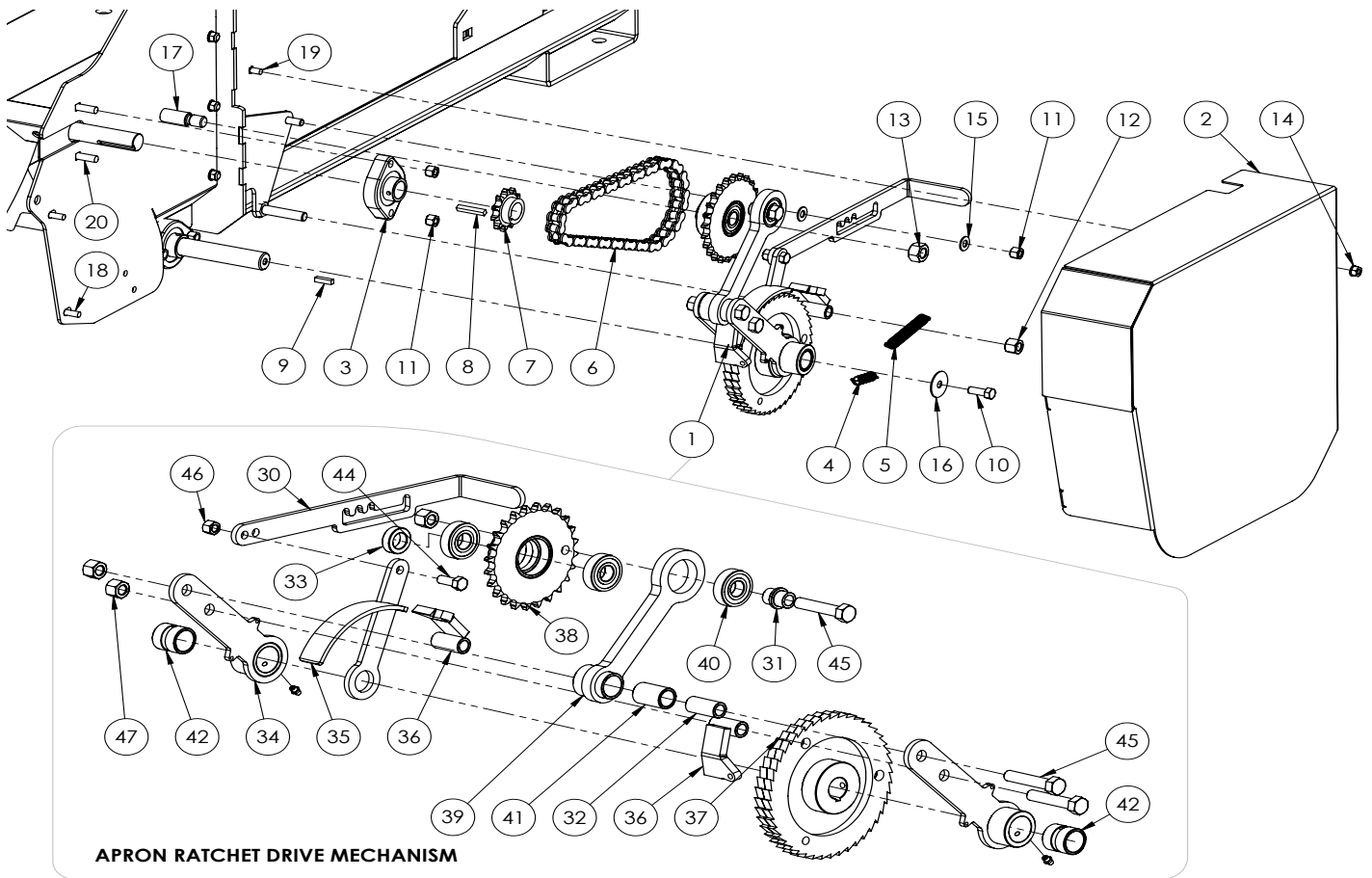


APRON SPROCKET ASSEMBLY (RH)



MX50 APRON CHAIN AND SPROCKET

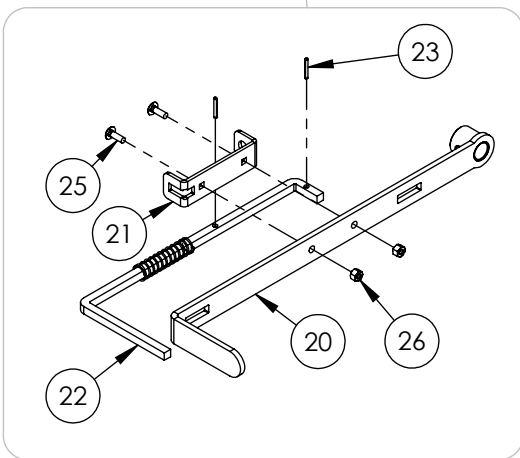
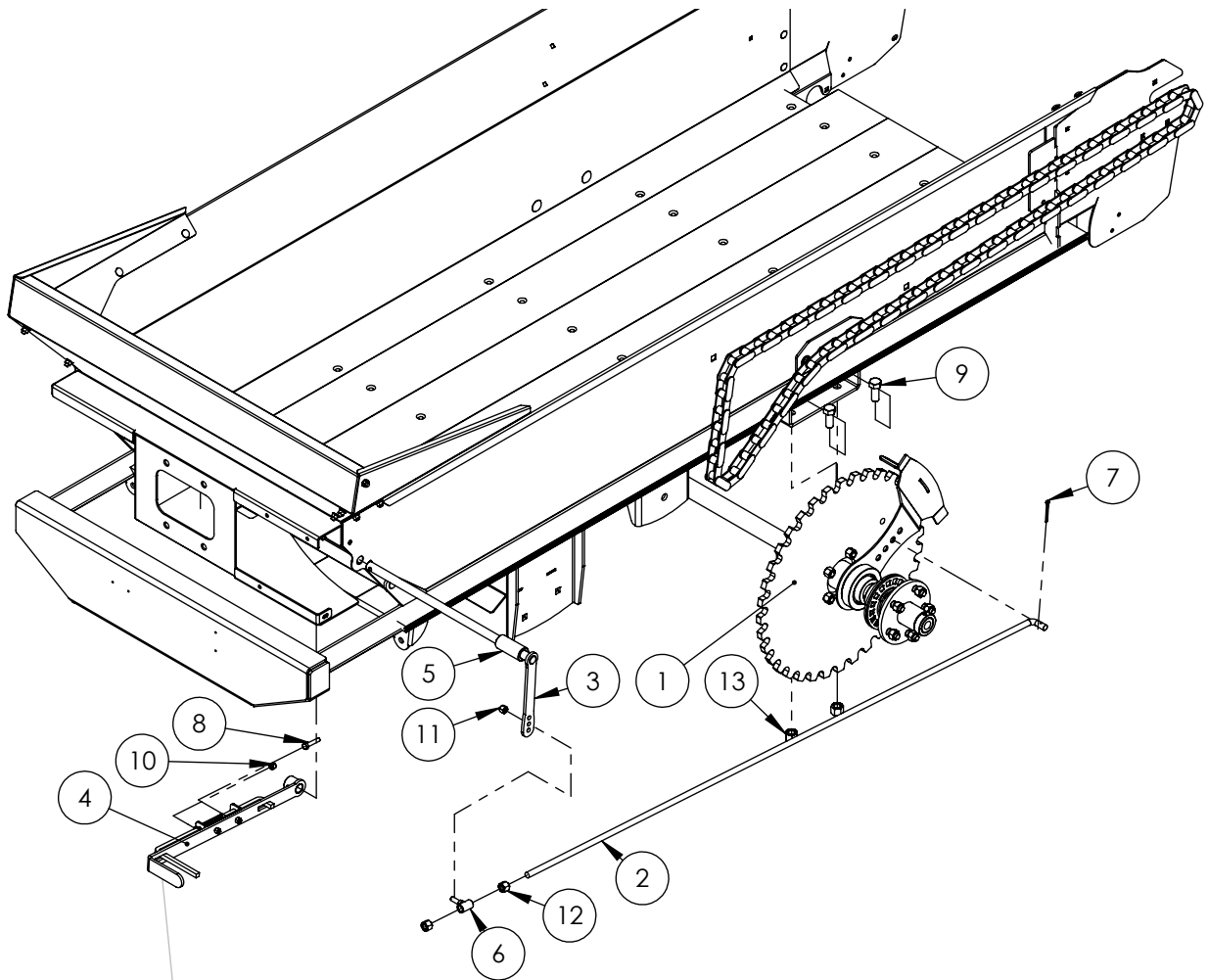
ITEM	PART NO.	DESCRIPTION	QTY
1	7013A303	Apron Flight Assembly	14
2	Z42305	Apron Chain #62 x 113 links	2
ITEM	PART NO.	DESCRIPTION	QTY
10	7013S302	Apron Flight	1
11	Z42302	Apron Chain #62 End RH	1
12	Z42303	Apron Chain #62 End LH	1
13	Z79301	Rivet 1/4 x 1/2 Flat Head	2
ITEM	PART NO.	DESCRIPTION	QTY
20	7015W507	Bracket, Front Sprocket RH	1
21	7015M519	Sprocket, Apron Chain Front	1
22	Z26301	Bushing, 1 ID x 1-1/4 OD x 1-5/8	1
23	Z71230	Hex Bolt 5/16NC x 3	2
24	Z72221	Hex Lock Nut 5/16NC	2
25	Z73232	Wide Washer 3/8 Thin	1
26	Z29201	Grease Fitting, 1/8NPT	1



APRON RATCHET DRIVE MECHANISM

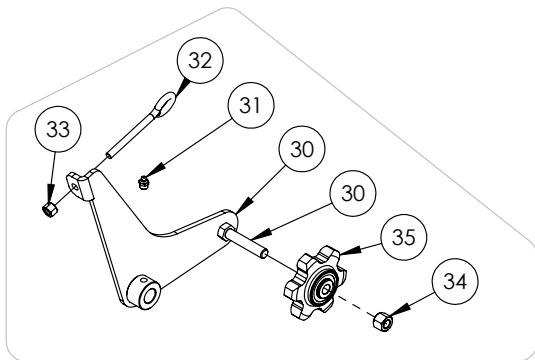
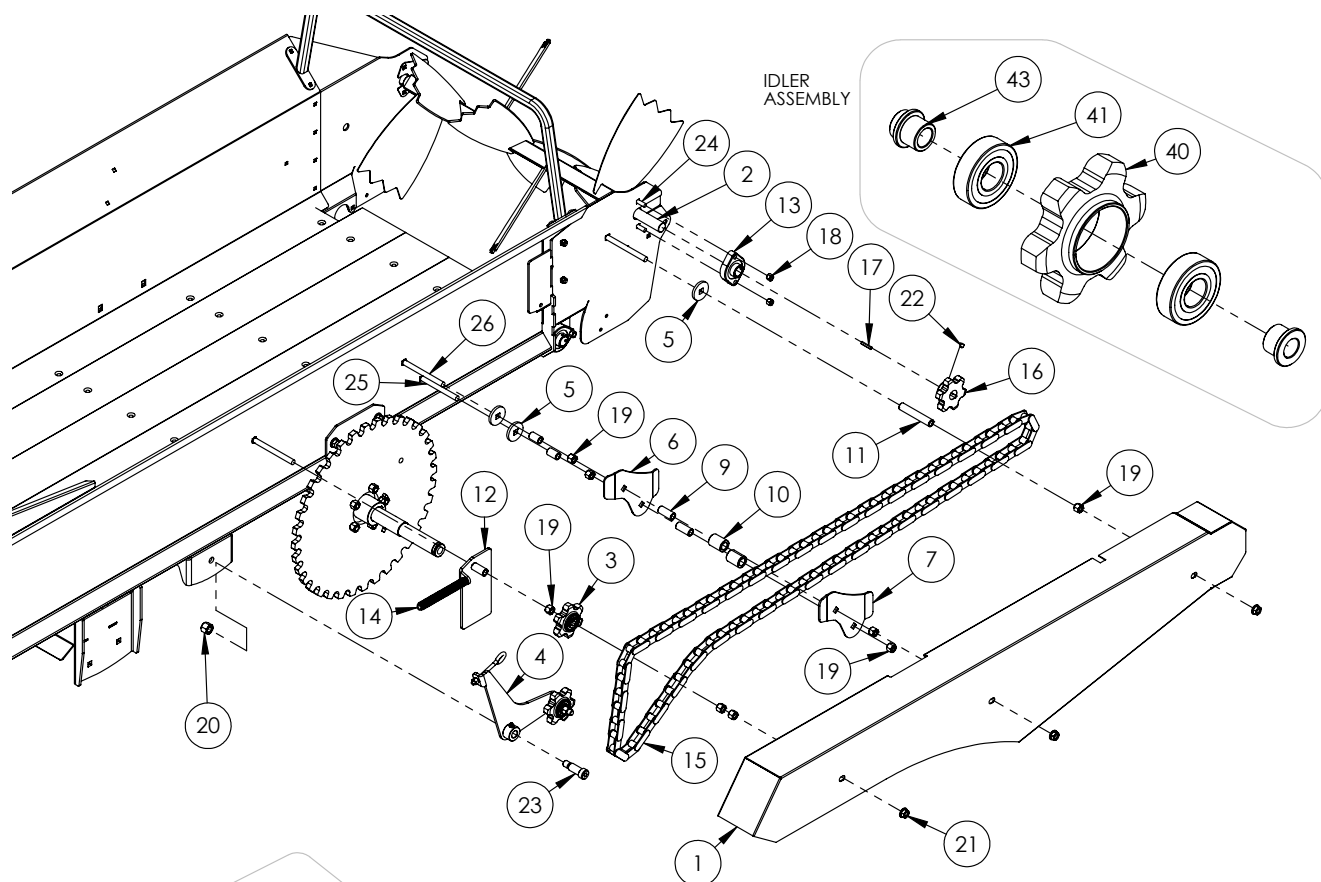
MX50 / MX80 APRON RATCHET PARTS BREAKDOWN

ITEM	PART NUMBER	DESCRIPTION	QTY.
1	7015A507	Apron Ratchet Drive Mechanism	1
2	7015W518	Shield, Apron Drive	1
3	Z25102	FD 2-Bolt Flange Bearing 1"	1
4	Z31201	Spring 1/2 x 1-1/2 x .048	1
5	Z31304	Spring 1/2 x 2-1/2 x .063	1
6	Z42141	#50 Roller Chain 44P (22 Links)	1
7	Z42803	Sprocket, #50 11Tooth 1" Bore	1
8	Z46532	Key 1/4 x 1/4 x 1-1/2	1
9	Z46536	Key, 1/4 x 1/4 x .913	1
10	Z71310	Hex Bolt 3/8NC x 1	2
11	Z72231	Hex Lock Nut 3/8NC	3
12	Z72251	Hex Lock Nut 1/2NC	1
13	Z72461	Low Profile Lock Nut 5/8NC	1
14	Z72521	Flange Nut 5/16NC	1
15	Z73130	Flat Washer 3/8	2
16	Z73232	Wide Washer 3/8 Thin	1
17	Z75571	Shoulder Bolt 3/4 x 1-1/2	1
18	Z76121	Flange Bolt 5/16NC x 3/4	4
19	Z76222	Carriage Bolt 5/16NC x 5/8	1
20	Z76232	Carriage Bolt 3/8NC x 1-1/4	2
ITEM	PART NUMBER	DESCRIPTION	QTY.
30	7015L524	Handle, Ratchet Speed Set	1
31	7015M512	Flange Bushing	1
32	7015M514	Bushing, Link Arm Bolt	1
33	7015M517	Bolt Spacer	1
34	7015W510	Arm, Apron Ratchet Drive	2
35	7015W511	Slide, Speed Adjuster	1
36	7015W512	Dog, Ratchet	2
37	7015W513	Ratchet, Apron Drive	1
38	7015W514	#50 24Tooth Sprocket Hub	1
39	7015W515	Arm, Ratchet Drive Link	1
40	Z21204	Ball Bearing 1635 RS	3
41	Z26201	Bushing, 3/4 ID x 1-1/2	1
42	Z26303	Bushing, 1 ID x 1-1/4 Long Grooved	2
43	Z29202	Grease Zerk 1/4NF	2
44	Z71310	Hex Bolt 3/8NC x 1	1
45	Z71525	Hex Bolt 1/2NC x 2-1/2	3
46	Z72231	Hex Lock Nut 3/8NC	1
47	Z72251	Hex Lock Nut 1/2NC	3



MX50G GROUND DRIVE ENGAGEMENT PARTS

ITEM	PART NO.	DESCRIPTION	QTY
1	7012A251	Assembly, Ground Drive Axle	1
2	7012S251	Engaging Rod	1
3	7012W252	Rod, Drive Engagement Connection	1
4	7014A450	Handle, Drive Engagement	1
5	7014M459	Engaging Shaft Spacer	1
6	7014W458	Joint, Engagement Linkage	1
7	Z12321	Cotter Pin 3/16 X 2-1/2	1
8	Z71215	Hex Bolt, 5/16NC x 1-1/2	1
9	Z71615	Hex Bolt 5/8NC x 1-1/2	4
10	Z72221	Hex Lock Nut 5/16NC	1
11	Z72231	Hex Lock Nut 3/8NC	1
12	Z72251	Hex Lock Nut 1/2NC	2
13	Z72261	Hex Lock Nut 5/8NC	4
ITEM	PART NO.	DESCRIPTION	QTY
20	7014W453	Handle, Engagement	1
21	7014L465	Engaging Arm Guide	1
22	7014S450	Latch Rod	1
23	Z14131	Roll Pin 1/8 x 1	2
24	Z32301	Spring 19mm x 79mm Med	1
25	Z76211	Carriage Bolt 1/4NC x 3/4	2
26	Z72111	Hex Lock Nut 1/4NC	2

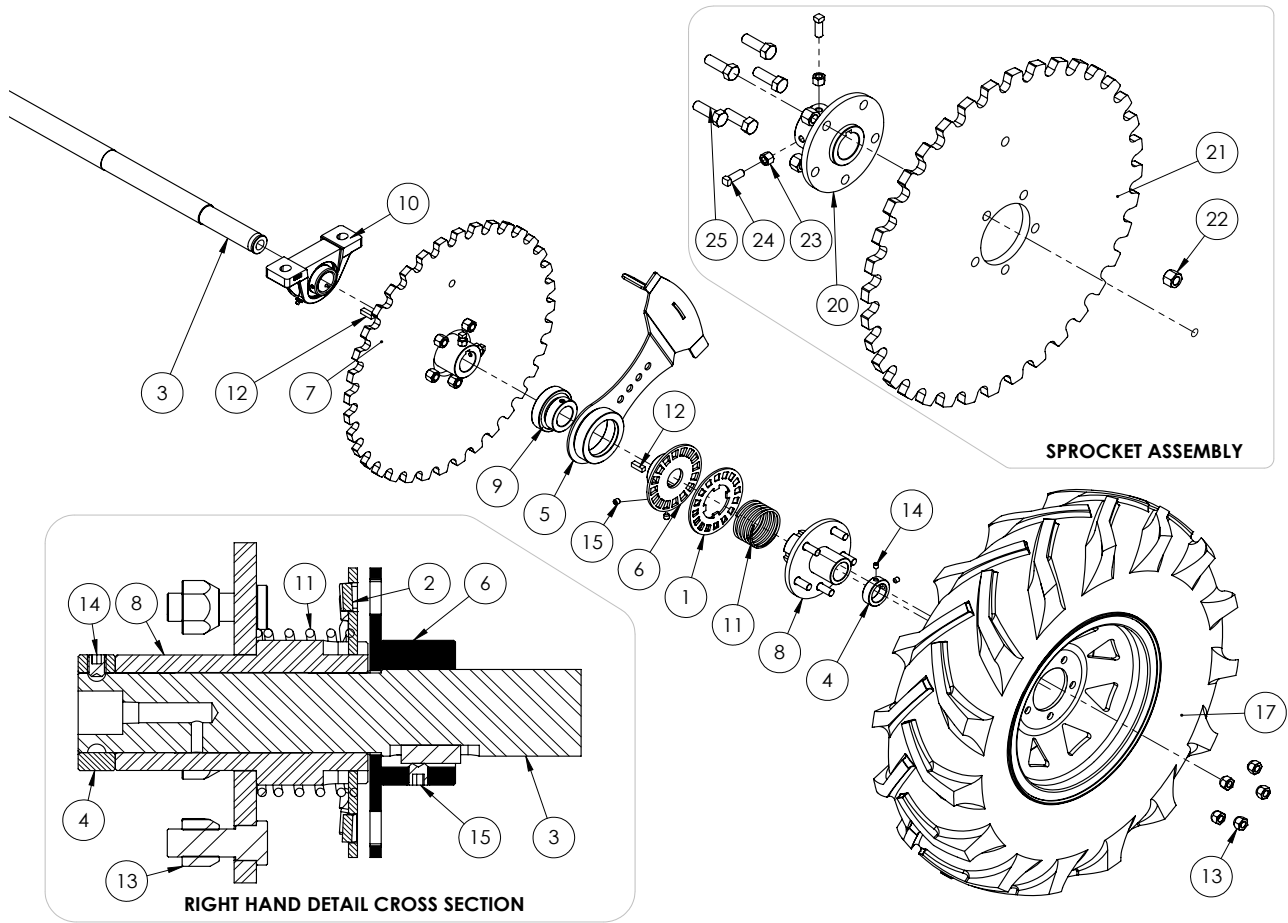


TENSIONER ASSEMBLY

GROUND DRIVE PARTS BREAKDOWN

ITEM	PART NO.	DESCRIPTION	QTY
1	7012W250	Shield, Drive Chain	1
2	7012W516	Beater Bar, Ground Drive	1
3	7014A453	Idler Assembly, #550 Chain	1
4	7014A454	Tensioner, Drive Chain	1
5	7014L458	Washer, Square Head	3
6	7014L459	RH Guide, Chain	1
7	7014L467	LH Guide, Chain	1
8	7014M460	Spacer, 1-1/4	2
9	7014M463	Spacer, 1-3/4	2
10	7014M464	Roller, Chain Guide	2
11	7014M465	Spacer, Rear Shield	1
12	7014W457	Plate, Idler/Tensioner Mount	1
13	Z25102	FD 2-Bolt Flange Bearing 1"	1
14	Z31401	Spring 3/4 x 4" Heavy	1
15	Z42306	#550 Roller Chain x 80 Links	1
16	Z42807	#550 6 Tooth Sprocket 1" Hub	1
17	Z46534	Key 1/4 x 1/4 x 1-1/4	1
18	Z72231	Hex Lock Nut 3/8NC	2
19	Z72251	Hex Lock Nut 1/2NC	8
20	Z72261	Hex Lock Nut 5/8NC	1
21	Z72551	Flange Nut 1/2NC	3
22	Z74121	Set Screw 5/16NC	2
23	Z75571	Shoulder Bolt 3/4 x 1-1/2	1
24	Z76232	Carriage Bolt 3/8NC x 1-1/4	2
25	Z76253	Carriage Bolt 1/2NC x 5	1
26	Z76254	Carriage Bolt 1/2NC x 5-1/2	3
ITEM	PART NO.	DESCRIPTION	QTY
30	7014W459	Arm, Tensioner	1
31	Z29201	Grease Fitting, 1/8NPT	1
32	Z76531	Eye Bolt 3/8NC x 3-1/2	1
33	Z72231	Hex Lock Nut 3/8NC	1
34	Z72251	Hex Lock Nut 1/2NC	1
35	7014A453	Idler Assembly, #550 Chain	1
ITEM	PART NO.	DESCRIPTION	QTY
40	Z42806	#550 6 Tooth Sprocket	1
41	Z21204	Ball Bearing 1635 RS	2
42	7014M468	Bushing, 1/2x3/4x5/8Lg Flanged	1
43	7014M450	Bushing, 1/2x3/4 Flanged	1

This Page is Intentionally Blank

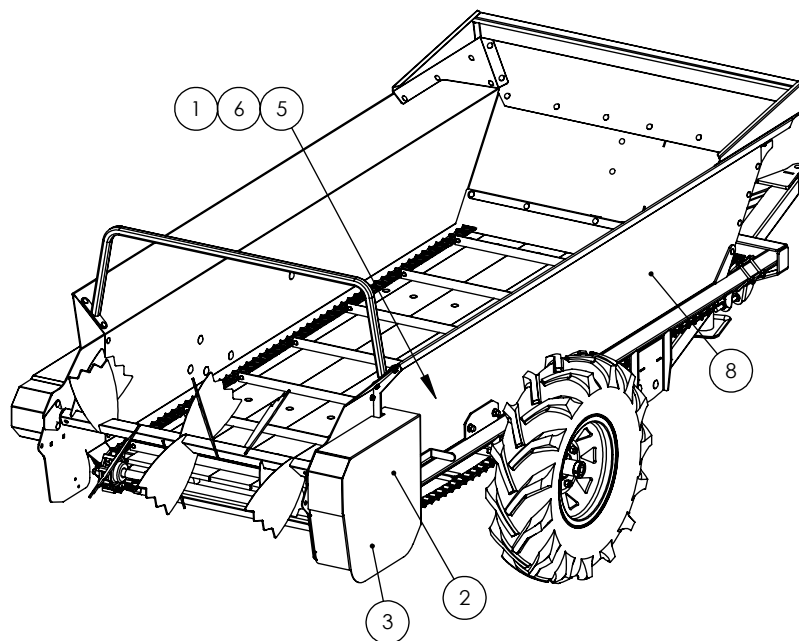
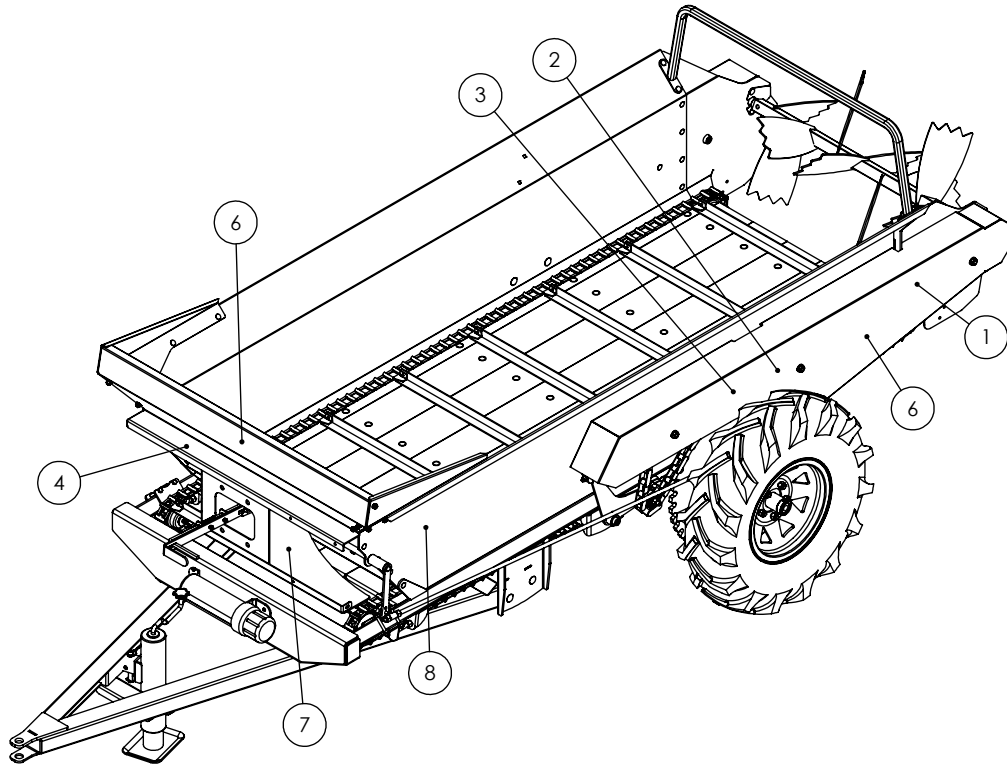


MX GROUND DRIVE AXLE PARTS BREAKDOWN

ITEM	PART NO.	DESCRIPTION	QTY
1	7014L452	Driver, GD Ratchet LH	1
2	7014L468	Driver, GD Ratchet RH	1
3	7014M252	Axle, Ground Drive	1
4	7014M456	Collar, Wheel Stop	2
5	7014W451	Arm, Drive Chain Deflector	1
6	7014W454	Receiver, GD Ratchet	2
7	7014W455	Assy, Main Ground Drive Sprocket	1
8	7014W460	Hub, 5-Bolt Ground Drive	2
9	Z21901	Taper Lock Bearing 1-1/2 ID	1
10	Z24101	P208 Pillow Block 1-1/2	2
11	Z32402	Spring 3" x 4-1/2" x .145 wire	2
12	Z46542	Key 5/16 x 5/16 x 1	3
13	Z72931	Lug Nut 1/2NF	10
14	Z74121	Set Screw 5/16NC	4
15	Z74130	Set Screw 3/8NC	4
16	Z91305	7.60-15SL Amer Farm RH	1
17	Z91306	7.60-15SL Amer Farm LH	1
ITEM	PART NO.	DESCRIPTION	QTY
20	7014W456	Hub, Ground Drive Sprocket	1
21	Z42805	#550 36 Tooth 3-1/2" Bore	1
22	Z72252	Hex Lock Nut 1/2NF	5
23	Z72231	Hex Lock Nut 3/8NC	2
24	Z74341	Square Set Screw 3/8NC x 1	2
25	Z71576	Hex Bolt 1/2NF x 1-1/2	5

MX50 DECAL BREAKDOWN

ITEM	PART NO.	DESCRIPTION	QTY
1	Z94047	Rotating Blade	2
2	Z94012	Rotating Part	2
3	Z94049	Shield Hazard	2
4	Z94046	Read Manual	1
5	Z94044	Apron Speed	1
6	Z94019	Made in Canada	3
7	Z94162	On/ Off	1
8	Z94069	MX50	2

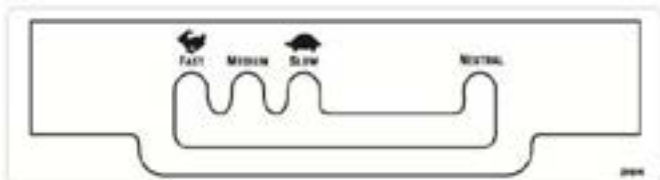


MX50G Decals

Z94069



Z94044



Z94047



Z94019



Z94012



Z94162



Z94046

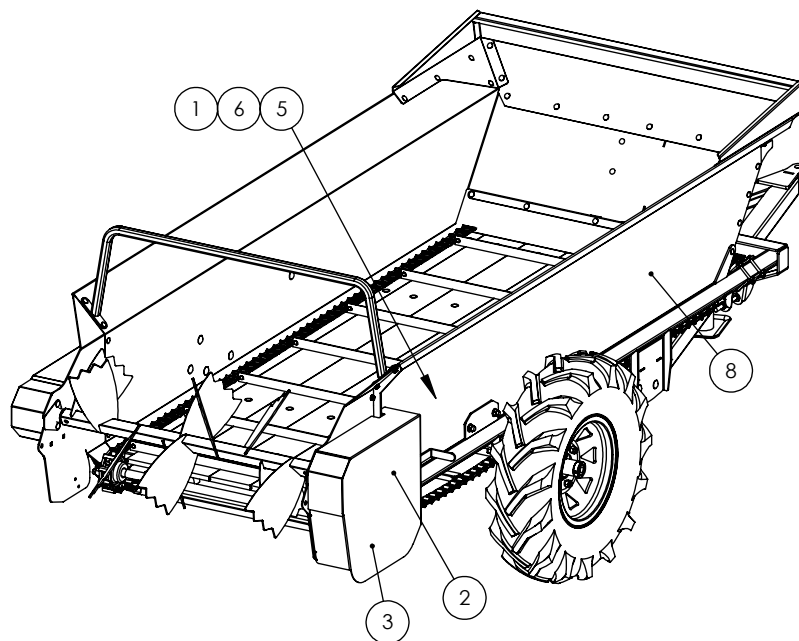
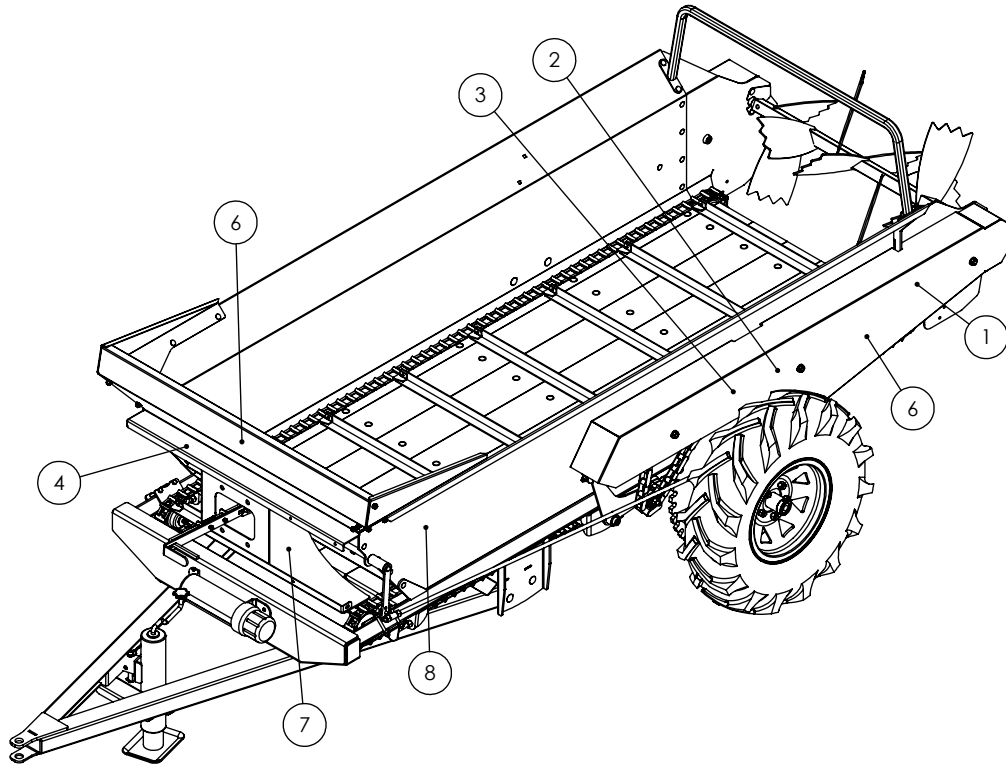


Z94049



MX50 DECAL BREAKDOWN

ITEM	PART NO.	DESCRIPTION	QTY
1	Z94168	Rotating Blade	2
2	Z94116	Rotating Part	2
3	Z94169	Shield Hazard	2
4	Z94119	Read Manual	1
5	Z94044	Apron Speed	1
6	Z94019	Made in Canada	3
7	Z94162	On / Off	1
8	Z94069	MX50	2



Two-Panel MX50 Decals

Z94116



Z94019



Z94168



Z94169



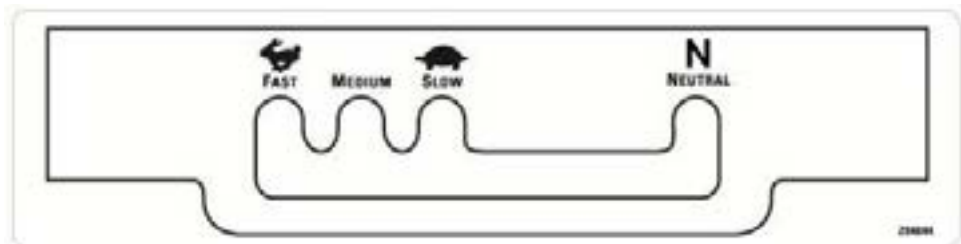
Z94162



Z94119



Z94044



Z94069





WALLENSTEIN Products Manufactured by:

EMB MFG Inc.

4144 Boomer Line
St. Clements, Ontario
Canada N0B 2M0
Phone: 1-877-695-9283
Fax: 519-699-4146
www.embmfg.com