



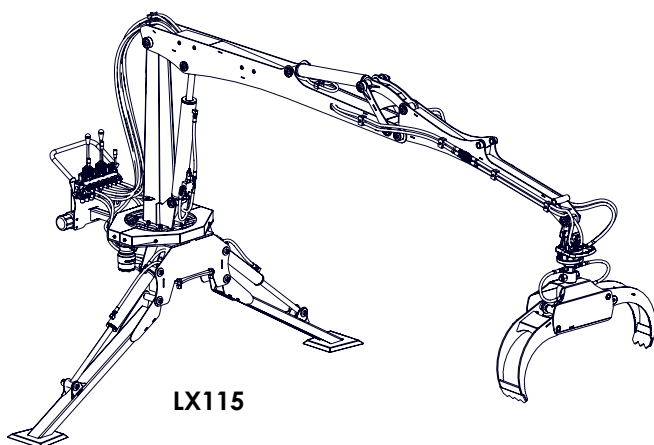
EMB Manufacturing Inc.  
4144 Boomer Line · St. Clements, On · N0B 2M0 · Canada  
Ph: (519) 699-9283 · Fax: (519) 699-4146  
www.wallensteinequipment.com

# LX115 Timber Talon Grapple

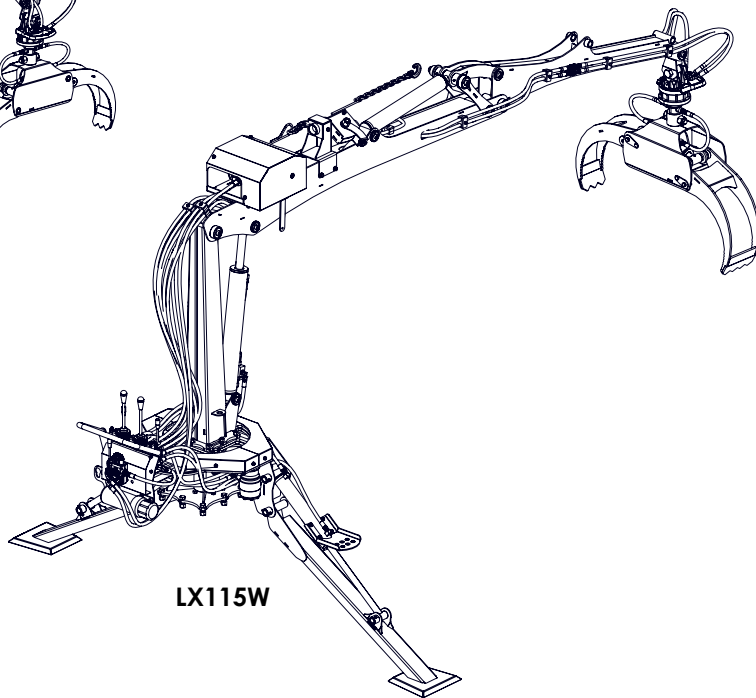
## Parts Manual

Models LX115m LX115W

Starting with S/N's 115X51 and on



LX115



LX115W



Refer to the operators  
manual for safe  
operation and  
maintenance

## Foreword

EMB Mfg. has prepared this parts manual to assist customers in ordering quality OEM replacement parts.

Proper and regular service and replacing old, worn or broken parts with the correct OEM parts are essential to prolonging the life of your EMB product. Please refer to this manual before ordering any replacement parts.

All information contained in this parts manual is based on the latest product specification available at the time of printing this manual. If your product differs from the specifications contained within this manual contact EMB Mfg. for information.

EMB reserves the right to alter specifications on their products at any time.

Reproduction of this parts manual of any kind is prohibited without prior written permission from EMB Mfg.

For parts and information please contact your dealer. If your dealer is no longer available please go to our website: <http://www.wallensteinequipment.com> and click on "FIND A DEALER NEAR YOU" for information on a local dealer.

## Table of Contents

|  |           |
|--|-----------|
| <b>Bolt Torque</b> .....                           | <b>4</b>  |
| <b>Hydraulic Fitting Torque</b> .....              | <b>5</b>  |
| <b>Wheel Lug Torque</b> .....                      | <b>5</b>  |
| <b>LX115 / LT60 Variation Chart</b> .....          | <b>6</b>  |
| <b>Control Panel Ass'y</b> .....                   | <b>7</b>  |
| <b>Stabilizer Ass'y</b> .....                      | <b>8</b>  |
| <b>Slew Housing Ass'y</b> .....                    | <b>9</b>  |
| <b>Main Tower Ass'y</b> .....                      | <b>10</b> |
| <b>Main Tower Bearing Ass'y</b> .....              | <b>11</b> |
| <b>Main Boom Ass'y</b> .....                       | <b>12</b> |
| <b>Dipper Boom Ass'y</b> .....                     | <b>13</b> |
| <b>Grapple Fork Ass'y</b> .....                    | <b>14</b> |
| <b>Grapple Ass'y</b> .....                         | <b>14</b> |
| <b>Power Pack Engine / Pump / Tank</b> .....       | <b>15</b> |
| <b>Hydraulic Winch Kit</b> .....                   | <b>16</b> |
| <b>Hydraulic Winch Assembly</b> .....              | <b>17</b> |
| <b>Hydraulic Winch Control Ass'y</b> .....         | <b>18</b> |
| <b>Top Cable Pulley Detail</b> .....               | <b>19</b> |
| <b>Winch Drum Detail</b> .....                     | <b>19</b> |
| <b>Cylinders &amp; Seal Installation</b> .....     | <b>20</b> |
| <b>Seal Kits</b> .....                             | <b>22</b> |
| <b>Hydraulic Hose List</b> .....                   | <b>23</b> |
| <b>Hydraulic Schematic</b> .....                   | <b>24</b> |
| <b>Hydraulic Schematic - Winch Option</b> .....    | <b>25</b> |
| <b>Hydraulic Schematic - Power Pack</b> .....      | <b>25</b> |
| <b>Hydraulic Schematic - Tractor Hyd Kit</b> ..... | <b>25</b> |
| <b>Labels</b> .....                                | <b>26</b> |
| <b>Accessories</b> .....                           | <b>27</b> |

Maintenance should be performed by  
trained personnel only.



Refer to the operators  
manual for safe  
operation and  
maintenance

**Bolt Torque****CHECKING BOLT TORQUE**

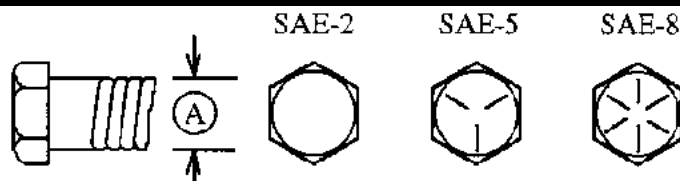
The tables shown below give correct torque values for various bolts and capscrews. Tighten all bolts to the torques specified in chart unless otherwise noted. Check tightness of bolts periodically, using bolt torque chart as a guide. Replace hardware with the same strength bolt.

Torque figures indicated above are valid for non-greased or non-oiled threads and heads unless otherwise specified. Therefore, do not grease or oil bolts or capscrews unless otherwise specified in this manual. When using locking elements, increase torque values by 5%.

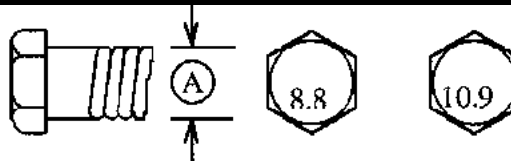
\* Torque value for bolts and capscrews are identified by their head markings.

**ENGLISH TORQUE SPECIFICATIONS**

| Bolt Diameter "A" | Bolt Torque*           |     |                        |     |                        |     |
|-------------------|------------------------|-----|------------------------|-----|------------------------|-----|
|                   | SAE 2<br>(N.m) (lb-ft) |     | SAE 5<br>(N.m) (lb-ft) |     | SAE 8<br>(N.m) (lb-ft) |     |
| 1/4"              | 8                      | 6   | 12                     | 9   | 17                     | 12  |
| 5/16"             | 13                     | 10  | 25                     | 19  | 36                     | 27  |
| 3/8"              | 27                     | 20  | 45                     | 33  | 63                     | 45  |
| 7/16"             | 41                     | 30  | 72                     | 53  | 100                    | 75  |
| 1/2"              | 61                     | 45  | 110                    | 80  | 155                    | 115 |
| 9/16"             | 95                     | 60  | 155                    | 115 | 220                    | 165 |
| 5/8"              | 128                    | 95  | 215                    | 160 | 305                    | 220 |
| 3/4"              | 225                    | 165 | 390                    | 290 | 540                    | 400 |
| 7/8"              | 230                    | 170 | 570                    | 420 | 880                    | 650 |
| 1"                | 345                    | 225 | 850                    | 630 | 1320                   | 970 |

**METRIC TORQUE SPECIFICATIONS**

| Bolt Diameter "A" | Bolt Torque*         |      |                       |      |
|-------------------|----------------------|------|-----------------------|------|
|                   | 8.8<br>(N.m) (lb-ft) |      | 10.9<br>(N.m) (lb-ft) |      |
| M3                | 0.5                  | 0.4  | 1.8                   | 1.3  |
| M4                | 3                    | 2.2  | 4.5                   | 3.3  |
| M5                | 6                    | 4    | 9                     | 7    |
| M6                | 10                   | 7    | 15                    | 11   |
| M8                | 25                   | 18   | 35                    | 26   |
| M10               | 50                   | 37   | 70                    | 52   |
| M12               | 90                   | 66   | 125                   | 92   |
| M14               | 140                  | 103  | 200                   | 148  |
| M16               | 225                  | 166  | 310                   | 229  |
| M20               | 435                  | 321  | 610                   | 450  |
| M24               | 750                  | 553  | 1050                  | 774  |
| M30               | 1495                 | 1103 | 2100                  | 1550 |
| M36               | 2600                 | 1917 | 3675                  | 2710 |



### Hydraulic Fitting Torque

#### Tightening Flare Type Tube Fittings \*

1. Check flare and flare seat for defects that might cause leakage.
  2. Align tube with fitting before tightening.
  3. Lubricate connection and hand tighten swivel nut until snug.
  4. To prevent twisting the tube(s), use two wrenches. Place one wrench on the connector body and with the second tighten the swivel nut to the torque shown.
- The torque values shown are based on lubricated connections as in reassembly.

| HYDRAULIC FITTING TORQUE |                       |               |       |  |         |
|--------------------------|-----------------------|---------------|-------|--|---------|
| Tube Size OD             | Nut Size Across Flats | Torque Value* |       | Recommended Turns To Tighten (After Finger Tightening) |         |
|                          |                       | (in.)         | (in.) | (N.m)  | (lb-ft) |
| 3/16                     | 7/16                  | 8             | 6     | 1  | 1/6     |
| 1/4                      | 9/16                  | 12            | 9     | 1  | 1/6     |
| 5/16                     | 5/8                   | 16            | 12    | 1  | 1/6     |
| 3/8                      | 11/16                 | 24            | 18    | 1  | 1/6     |
| 1/2                      | 7/8                   | 46            | 34    | 1  | 1/6     |
| 5/8                      | 1                     | 62            | 46    | 1  | 1/6     |
| 3/4                      | 1-1/4                 | 102           | 75    | 3/4  | 1/8     |
| 7/8                      | 1-3/8                 | 122           | 90    | 3/4  | 1/8     |

### Wheel Lug Torque

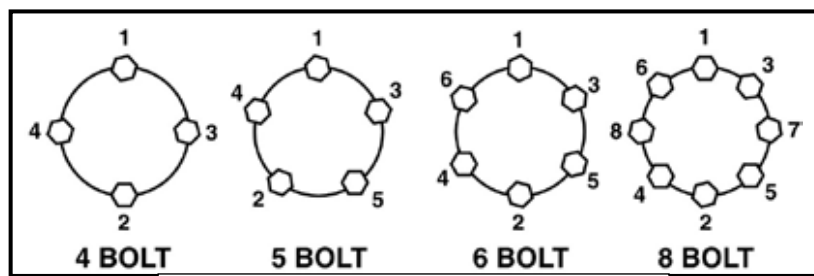
It is extremely important safety procedure to apply and maintain proper wheel mounting torque on your trailer axle. Torque wrenches are the best method to assure the proper amount of torque is being applied to a fastener.

Wheel lugs should be torqued before first road use and after each wheel removal. Check and re torque after the first 10 miles, 25 miles, and again at 50 miles. Check periodically thereafter.

Note: Wheel lugs must be applied and maintained at the proper torque levels to prevent loose wheels, broken studs, and possible dangerous separation of wheels from your axle.

1. Start all lugs by hand to prevent cross threading.
2. Tighten lugs in sequence, per wheel lug torque sequence chart.
3. The tightening of the fasteners should be done in stages. Following the recommended sequence, tighten fasteners per wheel torque requirements chart.

| Wheel Torque Requirements |           |           |           |
|---------------------------|-----------|-----------|-----------|
| Wheel Size                | 1st Stage | 2nd Stage | 3rd Stage |
| 8"                        | 12 - 20   | 30 - 35   | 45 - 55   |
| 12"                       | 20 - 25   | 35 - 40   | 50 - 60   |
| 13"                       | 20 - 25   | 35 - 40   | 50 - 60   |
| 14"                       | 20 - 25   | 50 - 60   | 90 - 120  |
| 15"                       | 20 - 25   | 50 - 60   | 90 - 120  |
| 16"                       | 20 - 25   | 50 - 60   | 90 - 120  |



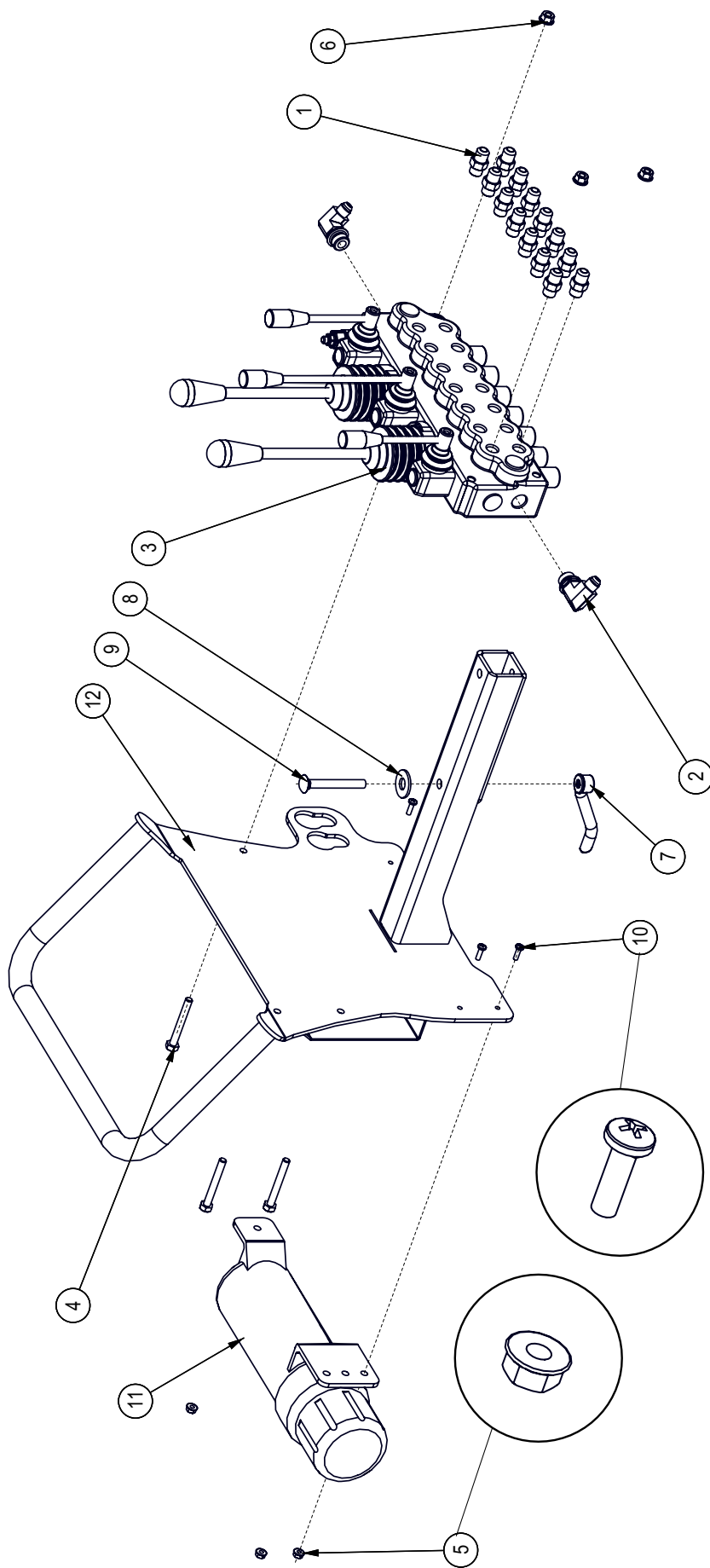
Wheel Lug Torque Sequence

**LX115 / LT60 Variation Chart**

The LX / LT series of Timber Talon Grapples and Log Trailers are available with different options and features. Use the chart below to identify your particular model when ordering parts.

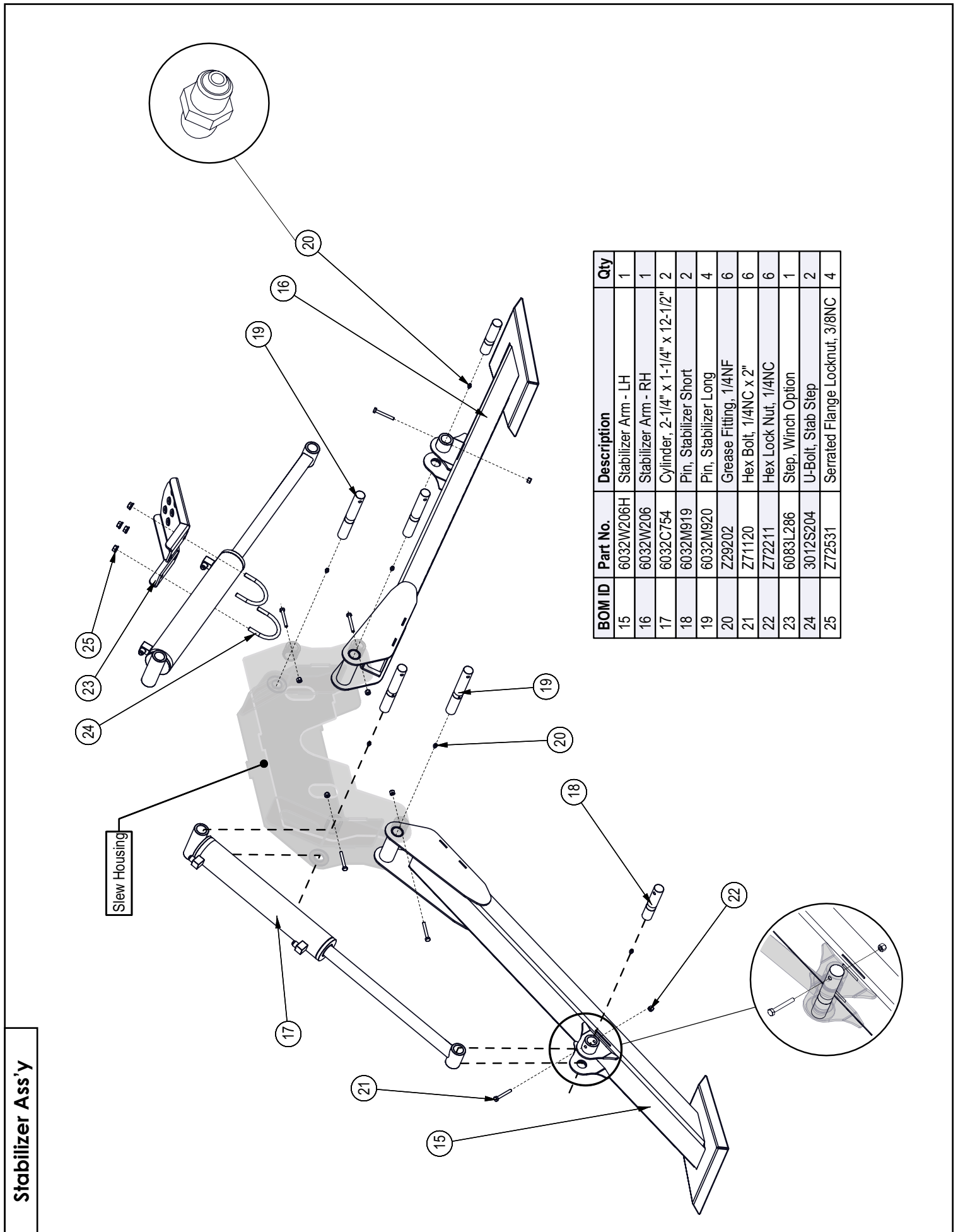
| <b>LX115 / LT60 Timber Talon Comparison Chart</b>                         |   | <b>Boom Mounting Combination</b> |       | <b>Options</b>           |                             |                         |                    |
|---|---|----------------------------------|-------|--------------------------|-----------------------------|-------------------------|--------------------|
|   |   |                                  |       | <b>Three Point Hitch</b> | <b>Trailer / Bunk Posts</b> | <b>Dual Speed Winch</b> | <b>Highway Kit</b> |
|   | Grapple Boom                                  | LX115                            |       |                          |                             |                         |                    |
|   | Grapple Boom Off Road Trailer                 | LX115                            | LT60  |                          | ✓                           |                         |                    |
|   | Grapple Boom Trailer - Highway Kit            | LX115                            | LT60H |                          | ✓                           |                         | ✓                  |
|   | Grapple Boom 3 Point Hitch Kit                | LX115                            | L400  | ✓                        |                             |                         |                    |
| <b>W<br/>i<br/>n<br/>c<br/>h<br/><br/>M<br/>o<br/>d<br/>e<br/>l<br/>s</b> | Grapple Boom with Winch                       | LX115W                           |       |                          |                             | ✓                       |                    |
|   | Grapple Boom with Winch Off Road Trailer      | LX115W                           | LT60  |                          | ✓                           | ✓                       |                    |
|   | Grapple Boom with Winch Trailer - Highway Kit | LX115W                           | LT60H |                          | ✓                           | ✓                       | ✓                  |
|   | Grapple Boom with Winch 3 Point Hitch Kit     | LX115W                           | L400  | ✓                        |                             | ✓                       |                    |

**Control Panel Ass'y**



| BOM ID | Part No. | Description                 | Qty |
|--------|----------|-----------------------------|-----|
| 8      | Z73252   | PTFE Washer, 1/2" x .101"   | 1   |
| 9      | Z76238   | Carriage Bolt, 3/8NC x 3"   | 1   |
| 10     | Z78312   | Machine Screw, #10NC x 5/8" | 3   |
| 11     | Z96503   | Manual Tube, 3-1/2" Short   | 1   |
| 12     | 6030W142 | Console Arm                 | 1   |

| BOM ID | Part No. | Description                     | Qty |
|--------|----------|---------------------------------|-----|
| 1      | Z51641   | Straight, MJC x MORB 0606       | 14  |
| 2      | Z51655   | Elbow 90, MJC x MORB 0608       | 2   |
| 3      | Z56206   | Seven Spool Valve, VC x 12GPM   | 1   |
| 4      | Z71225   | Hex Bolt, 5/16NC x 2-1/2"       | 3   |
| 5      | Z72502   | Serrated Flange Locknut, #10NC  | 3   |
| 6      | Z72521   | Serrated Flange Locknut, 5/16NC | 3   |
| 7      | Z72981   | Handle Nut, 3/8NC               | 1   |

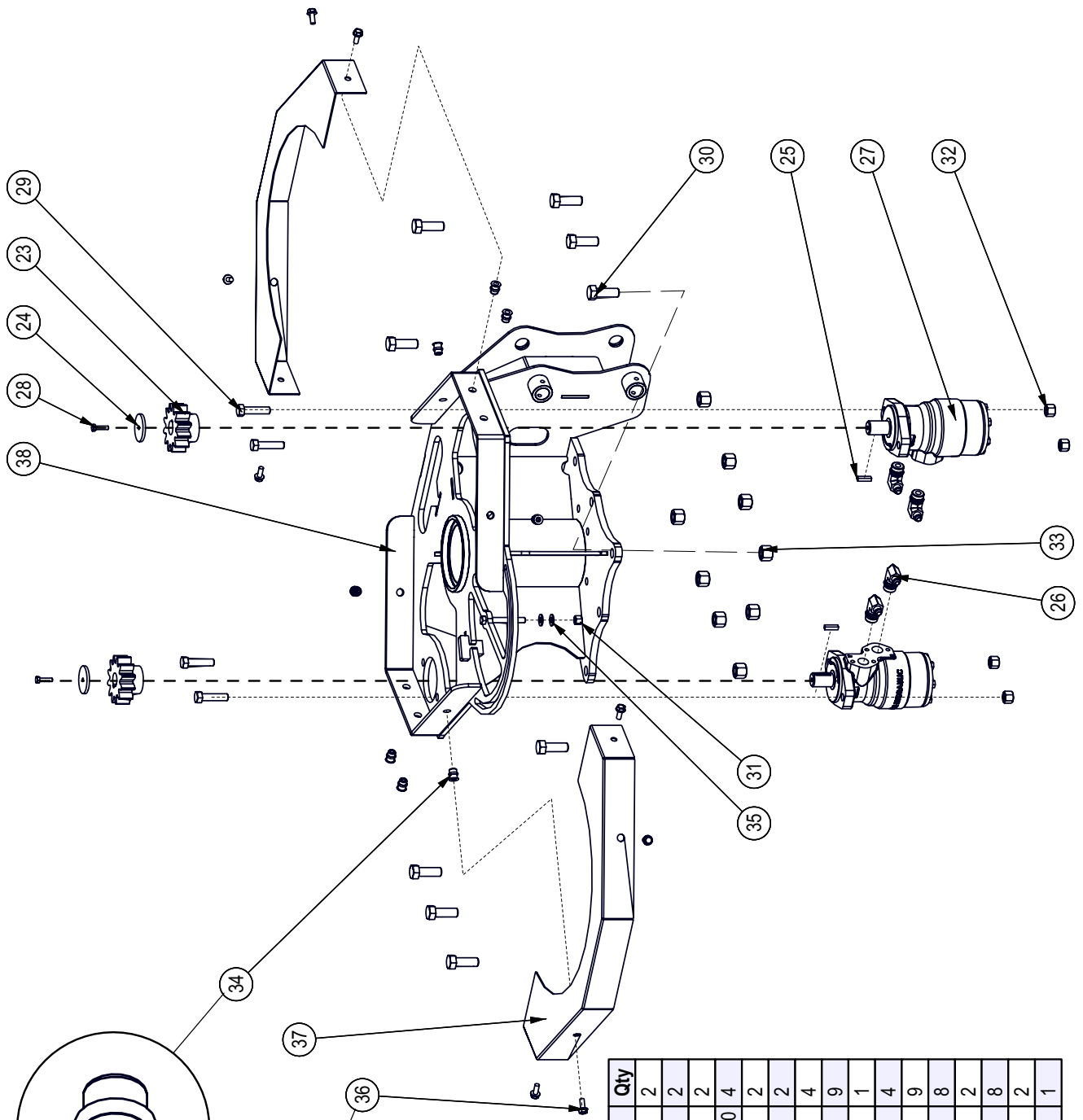


| BOM ID | Part No.  | Description                         | Qty |
|--------|-----------|-------------------------------------|-----|
| 15     | 6032W206H | Stabilizer Arm - LH                 | 1   |
| 16     | 6032W206  | Stabilizer Arm - RH                 | 1   |
| 17     | 6032C754  | Cylinder, 2-1/4" x 1-1/4" x 12-1/2" | 2   |
| 18     | 6032M919  | Pin, Stabilizer Short               | 2   |
| 19     | 6032M920  | Pin, Stabilizer Long                | 4   |
| 20     | Z29202    | Grease Fitting, 1/4NF               | 6   |
| 21     | Z71120    | Hex Bolt, 1/4NC x 2"                | 6   |
| 22     | Z72211    | Hex Lock Nut, 1/4NC                 | 6   |
| 23     | 6083L286  | Step, Winch Option                  | 1   |
| 24     | 3012S204  | U-Bolt, Stab Step                   | 2   |
| 25     | Z72531    | Serrated Flange Locknut, 3/8NC      | 4   |

**Stabilizer Ass'y**

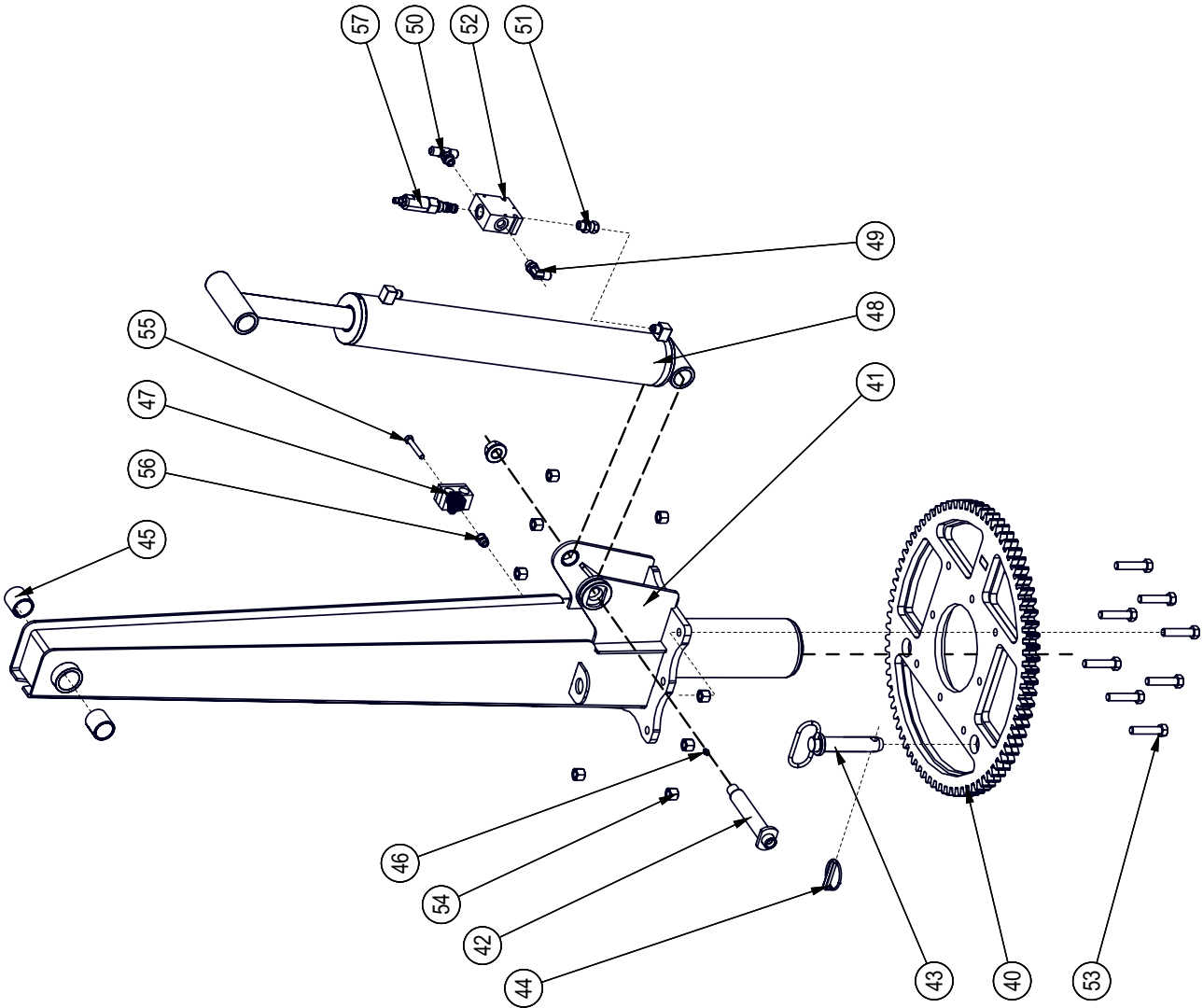


**Slew Housing Ass'y**



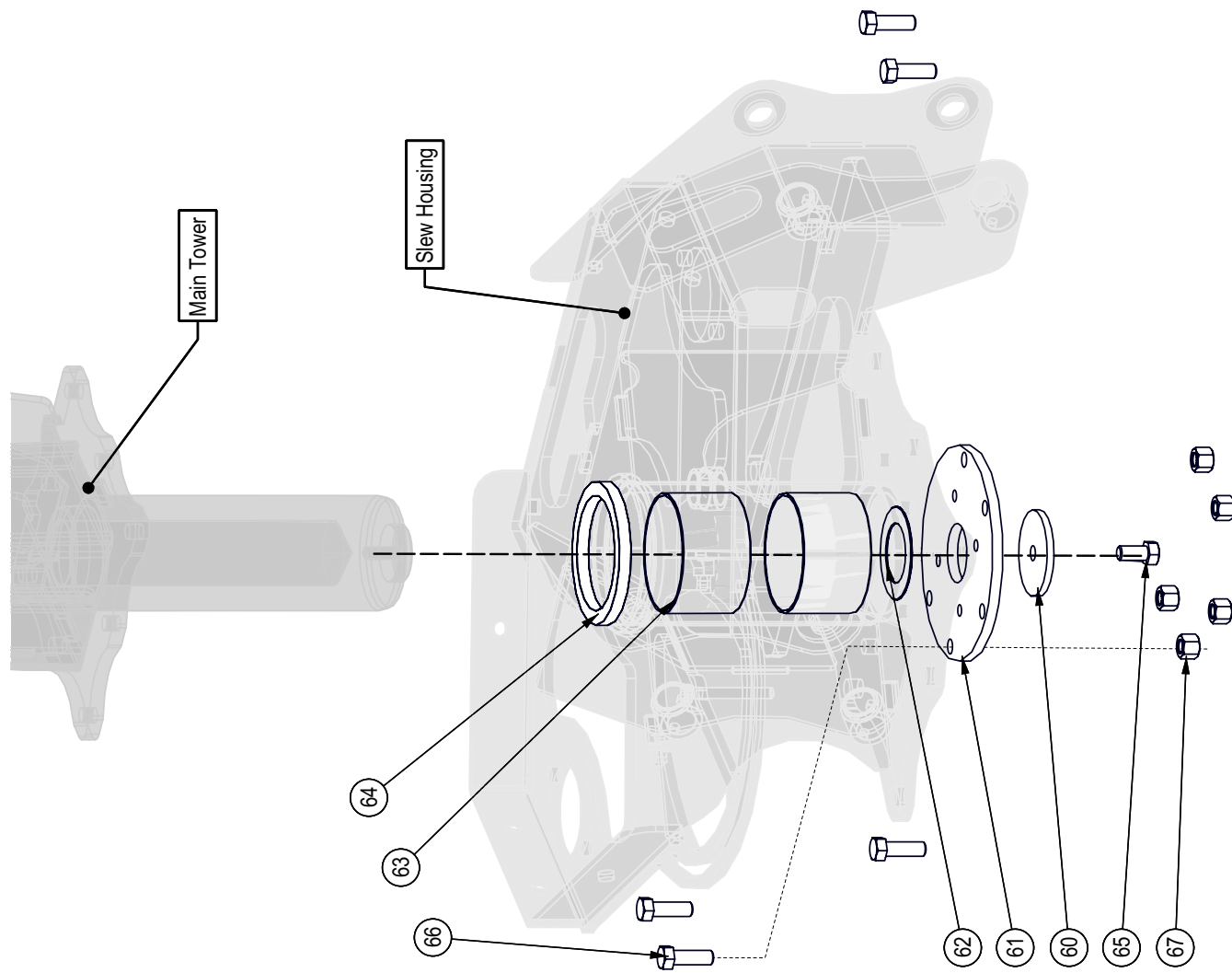
| BOM ID | Part No. | Description                | Qty |
|--------|----------|----------------------------|-----|
| 23     | 6031M653 | Gear, Motor -Small         | 2   |
| 24     | 6032L592 | Washer, Sprocket Capture   | 2   |
| 25     | Z46533   | Key, 1/4" x 1/4" x 1"      | 2   |
| 26     | Z51656   | Elbow 90, MJIC x MORB 0610 | 4   |
| 27     | Z54104   | Hydraulic Motor, 315CCR    | 2   |
| 28     | Z71110   | Hex Bolt, 1/4NC x 1"       | 2   |
| 29     | Z71520   | Hex Bolt, 1/2NC x 2"       | 4   |
| 30     | Z71617   | Hex Bolt, 5/8NC x 1-3/4"   | 9   |
| 31     | Z72231   | Hex Lock Nut, 3/8NC        | 1   |
| 32     | Z72251   | Hex Lock Nut, 1/2NC        | 4   |
| 33     | Z72261   | Hex Lock Nut, 5/8NC        | 9   |
| 34     | Z72957   | Rivet Nut, 5/16NC x 312    | 8   |
| 35     | Z73131   | SAE Washer, 3/8"           | 2   |
| 36     | Z716121  | Flange Bolt, 5/16NC x 3/4" | 8   |
| 37     | 6032L583 | Shield, Slew Front         | 2   |
| 38     | 6032W129 | Slew Housing               | 1   |

**Main Tower Ass'y**

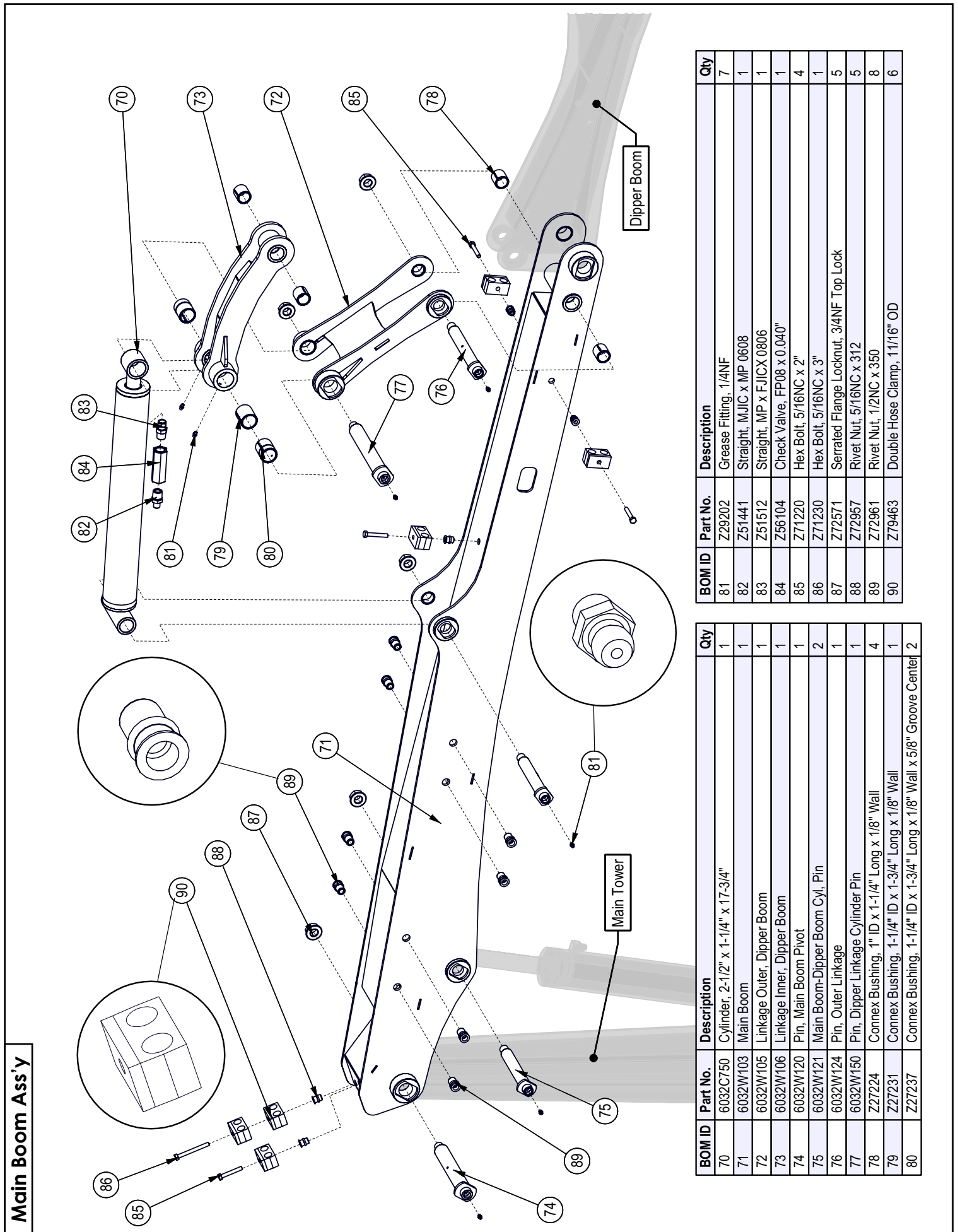


| BOM ID | Part No. | Description   | Qty |
|--------|----------|---|-----|
| 40     | 6032W131 | 78th Slew Gear                                      | 1   |
| 41     | 6032W102 | Main Tower  | 1   |
| 42     | 6032W122 | Pin, Main Boom Cylinder                             | 1   |
| 43     | Z11264   | Hitch Pin, 1" x 3-3/4" MOD                          | 1   |
| 44     | Z12140   | Lynch Pin, 7/16"                                    | 1   |
| 45     | Z27235   | Connex Bushing, 1-1/4" ID x 1-1/2" Long x 1/8" Wall | 2   |
| 46     | Z29202   | Grease Fitting, 1/4NF                               | 1   |
| 47     | Z79463   | Double Hose Clamp, 11/16" OD                        | 1   |
| 48     | 6032C752 | Cylinder, 3" x 1-1/2" x 20-3/4"                     | 1   |
| 49     | Z51651   | Elbow 90, MJIC x MORB 0606                          | 1   |
| 50     | Z51674   | Tee, MJIC x MJIC x MORB 060606                      | 1   |
| 51     | Z51761   | Straight, MORB x FJICX 0606                         | 1   |
| 52     | Z56105-2 | Counterbalance Valve, Body Only                     | 1   |
| 53     | Z71522   | Hex Bolt, 1/2NC x 2-1/4"                            | 8   |
| 54     | Z72251   | Hex Lock Nut, 1/2NC                                 | 8   |
| 55     | Z71220   | Hex Bolt, 5/16NC x 2"                               | 1   |
| 56     | Z72957   | Rivet Nut, 5/16NC x 3/2                             | 1   |
| 57     | Z56105-1 | Counterbalance Valve, Valve Only                    | 1   |

**Main Tower Bearing Ass'y**



| BOM ID | Part No. | Description   | Qty |
|--------|----------|---|-----|
| 60     | 6032L582 | Washer, Tower Capture                                 | 1   |
| 61     | 6032L595 | Washer, Tower Rest                                    | 1   |
| 62     | Z22401   | Fiberglide Thrust Bearing, 2" ID x 3-1/4" OD x 0.058" | 1   |
| 63     | Z27102   | Fiberglide Bearing, 4" ID x 2-1/2" long x 3/32" wall  | 2   |
| 64     | Z28206   | Single Lip Seal, 4"                                   | 1   |
| 65     | Z71510   | Hex Bolt, 1/2NC x 1"                                  | 1   |
| 66     | Z71515   | Hex Bolt, 1/2NC x 1-1/2"                              | 5   |
| 67     | Z72251   | Hex Lock Nut, 1/2NC                                   | 5   |

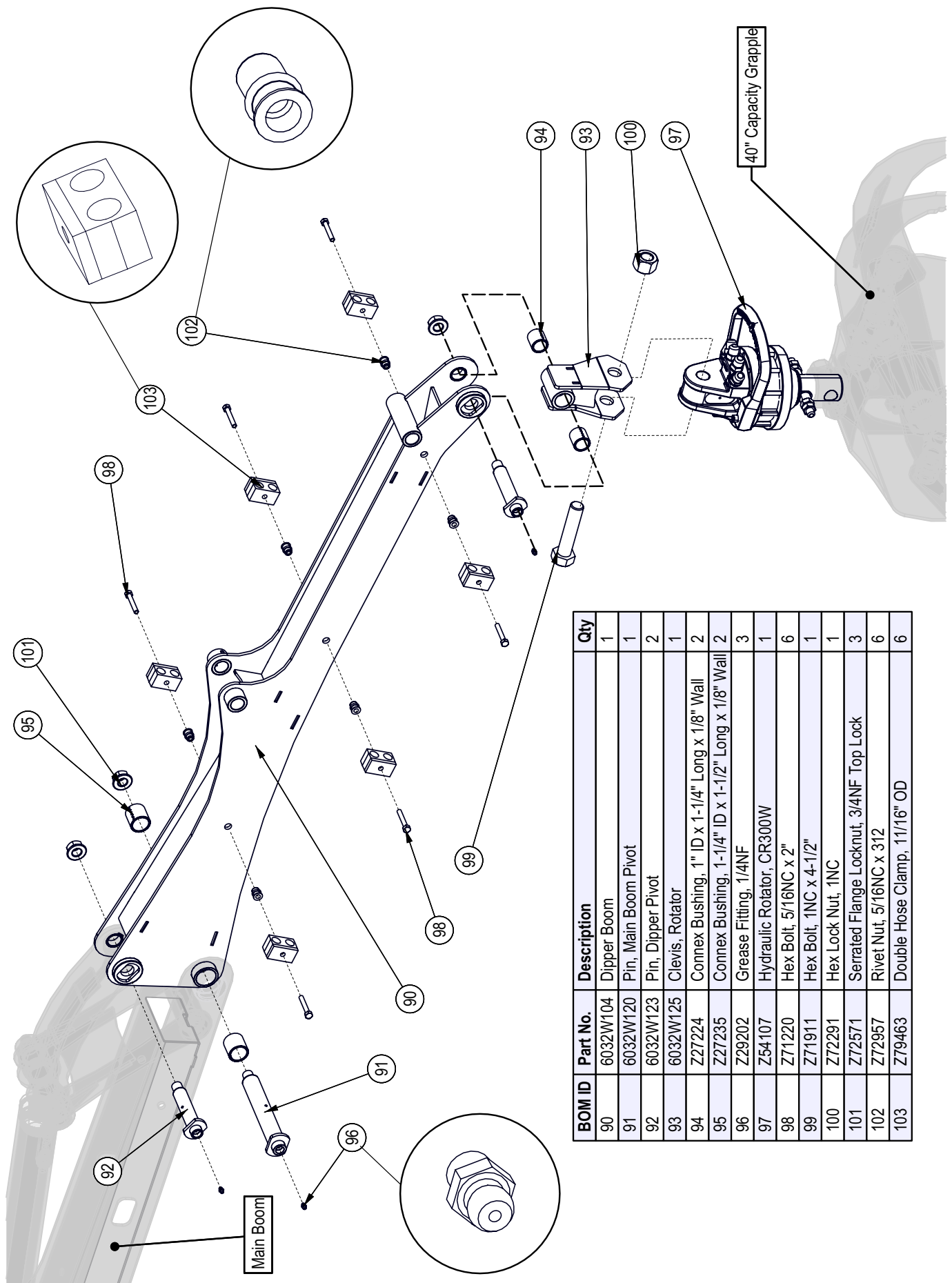


**Main Boom Ass'y**

| BOM ID | Part No. | Description                             | Qty |
|--------|----------|---|-----|
| 81     | Z29202   | Grease Fitting, 1/4NF                   | 7   |
| 82     | Z51441   | Straight, MJIC x MP 0608                | 1   |
| 83     | Z51512   | Straight, MP x FJICX 0806               | 1   |
| 84     | Z56104   | Check Valve, FP08 x 0.040"              | 1   |
| 85     | Z71220   | Hex Bolt, 5/16NC x 2"                   | 4   |
| 86     | Z71230   | Hex Bolt, 5/16NC x 3"                   | 1   |
| 87     | Z72571   | Serrated Flange Locknut, 3/4NF Top Lock | 5   |
| 88     | Z72957   | Rivet Nut, 5/16NC x 312                 | 5   |
| 89     | Z72961   | Rivet Nut, 1/2NC x 350                  | 8   |
| 90     | Z79463   | Double Hose Clamp, 1 1/16" OD           | 6   |

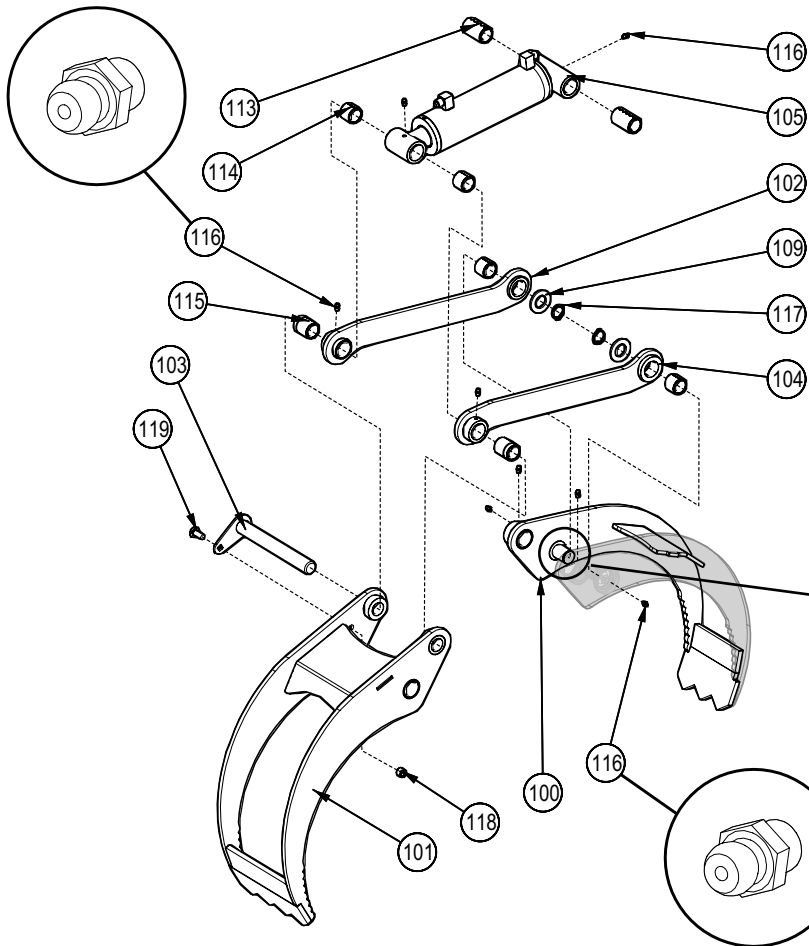
| BOM ID | Part No. | Description  | Qty |
|--------|----------|--|-----|
| 70     | 6032C750 | Cylinder, 2-1/2" x 1-1/4" x 17-3/4"                                      | 1   |
| 71     | 6032W103 | Main Boom  | 1   |
| 72     | 6032W105 | Linkage Outer, Dipper Boom   | 1   |
| 73     | 6032W106 | Linkage Inner, Dipper Boom   | 1   |
| 74     | 6032W120 | Pin, Main Boom Pivot   | 1   |
| 75     | 6032W121 | Main Boom-Dipper Boom Cyl, Pin   | 2   |
| 76     | 6032W124 | Pin, Outer Linkage   | 1   |
| 77     | 6032W150 | Pin, Dipper Linkage Cylinder Pin   | 1   |
| 78     | Z27224   | Connex Bushing, 1" ID x 1-1/4" Long x 1/8" Wall                          | 4   |
| 79     | Z27231   | Connex Bushing, 1-1/4" ID x 1-3/4" Long x 1/8" Wall                      | 1   |
| 80     | Z27237   | Connex Bushing, 1-1/4" ID x 1-3/4" Long x 1/8" Wall x 5/8" Groove Center | 2   |

**Dipper Boom Ass'y**



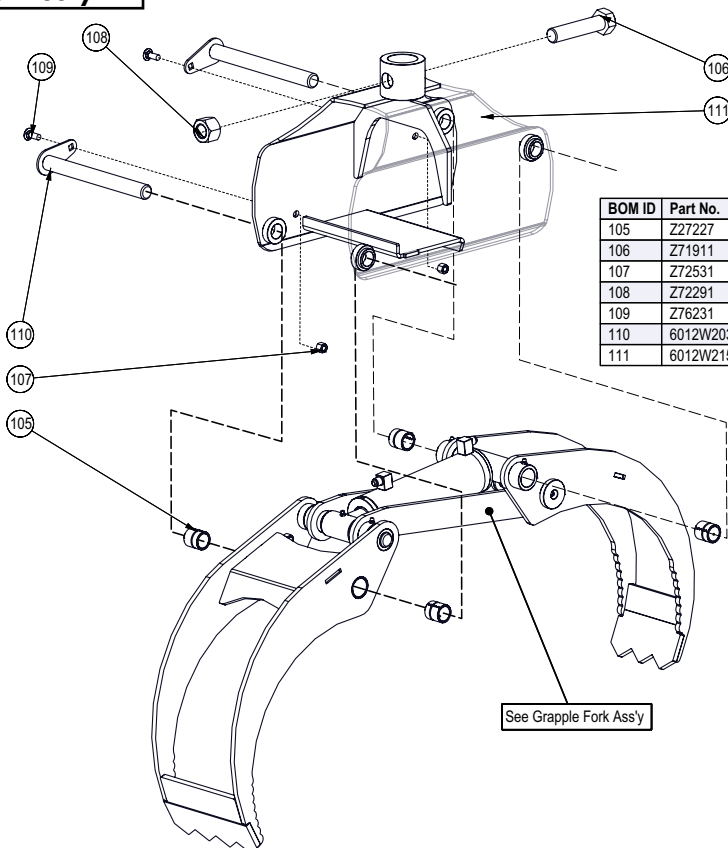
| BOM ID | Part No. | Description   | Qty |
|--------|----------|---|-----|
| 90     | 6032W104 | Dipper Boom   | 1   |
| 91     | 6032W120 | Pin, Main Boom Pivot                                | 1   |
| 92     | 6032W123 | Pin, Dipper Pivot                                   | 2   |
| 93     | 6032W125 | Clevis, Rotator                                     | 1   |
| 94     | Z27224   | Connex Bushing, 1" ID x 1-1/4" Long x 1/8" Wall     | 2   |
| 95     | Z27235   | Connex Bushing, 1-1/4" ID x 1-1/2" Long x 1/8" Wall | 2   |
| 96     | Z29202   | Grease Fitting, 1/4NF                               | 3   |
| 97     | Z54107   | Hydraulic Rotator, CR300W                           | 1   |
| 98     | Z71220   | Hex Bolt, 5/16NC x 2"                               | 6   |
| 99     | Z71911   | Hex Bolt, 1NC x 4-1/2"                              | 1   |
| 100    | Z72291   | Hex Lock Nut, 1NC                                   | 1   |
| 101    | Z72571   | Serrated Flange Locknut, 3/4NF Top Lock             | 3   |
| 102    | Z72957   | Rivet Nut, 5/16NC x 3/2                             | 6   |
| 103    | Z79463   | Double Hose Clamp, 1 1/16" OD                       | 6   |

**Grapple Fork Ass'y**



| BOM ID | Part Number | Description                    | Qty |
|--------|-------------|--------------------------------|-----|
| 100    | 6012W201    | Narrow (Inside) Fork           | 1   |
| 101    | 6012W202    | Wide (Outside) Fork            | 1   |
| 102    | 6012W204    | Linkage Bar                    | 1   |
| 103    | 6012W205    | 1" Hex Head Pin                | 1   |
| 104    | 6012W207    | Linkage Bar                    | 1   |
| 105    | 6012C205    | Cylinder, 2-1/2 x 6            | 1   |
| 109    | 6012L118    | Washer, Linkage                | 2   |
| 113    | Z27222      | Connex Bushing 1 x 2           | 2   |
| 114    | Z27223      | Connex Bushing 1 x 1           | 4   |
| 115    | Z27226      | Connex Bushing 1 x 1-1/2 x 3/8 | 2   |
| 116    | Z29202      | Grease Zerk 1/4NF              | 10  |
| 117    | Z46204      | External Retaining Ring, 1"    | 2   |
| 118    | Z72531      | Serrated Flange Locknut, 3/8NC | 1   |
| 119    | Z76231      | Carriage Bolt, 3/8NC x 1       | 1   |

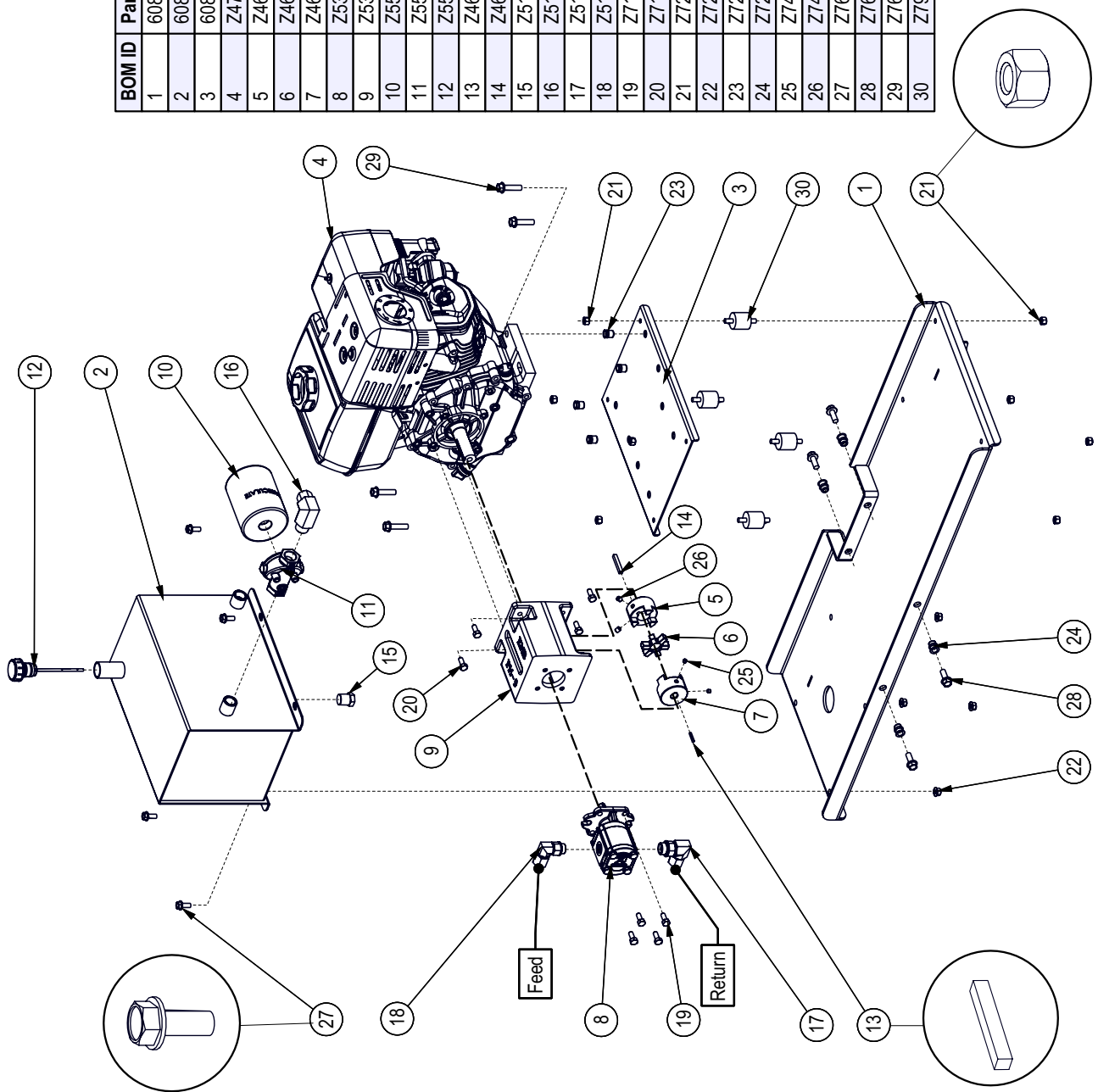
**Grapple Ass'y**



| BOM ID | Part No. | Description  | Qty |
|--------|----------|--|-----|
| 105    | Z27227   | Connex Bushing, 1" ID x 1-1/4" Long x 1/8" Wall x 1/2" Groove Center | 4   |
| 106    | Z71911   | Hex Bolt, 1NC x 4-1/2"   | 1   |
| 107    | Z72531   | Serrated Flange Locknut, 3/8NC                                       | 2   |
| 108    | Z72291   | Hex Lock Nut, 1NC  | 1   |
| 109    | Z76231   | Carriage Bolt, 3/8NC x 1"  | 2   |
| 110    | 6012W203 | 1" Flange Pin  | 2   |
| 111    | 6012W215 | Main Grapple Frame   | 1   |

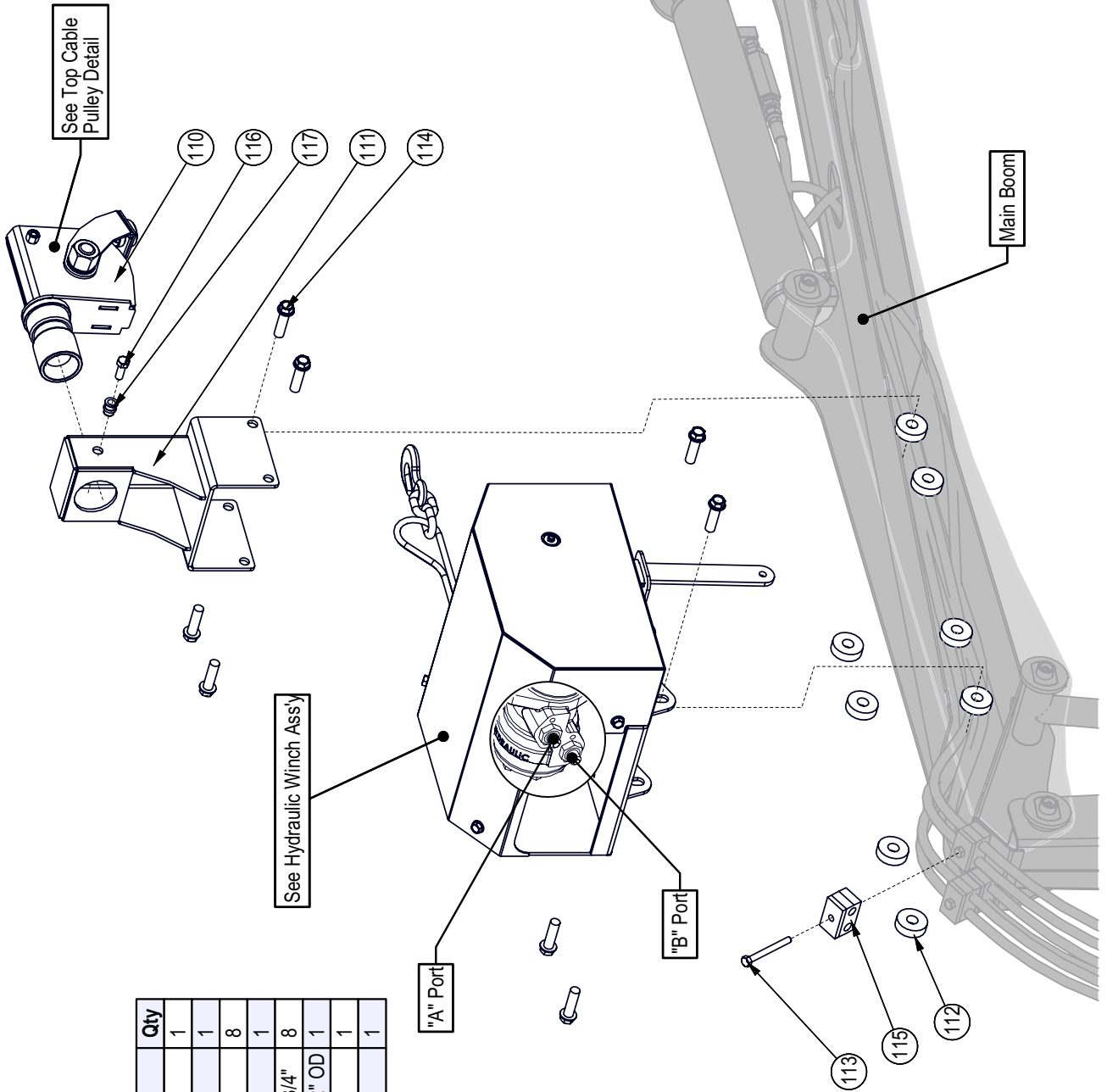


**Power Pack Engine / Pump / Tank**



| BOM ID | Part No. | Description                            | Qty |
|--------|----------|--|-----|
| 1      | 6081W200 | Base, Hyd Power Pack                   | 1   |
| 2      | 6081W301 | Tank                                   | 1   |
| 3      | 6081L205 | Plate, Engine Mount                    | 1   |
| 4      | Z47135   | Honda GX270UTQH6, Rope                 | 1   |
| 5      | Z46404   | Shaft Coupling, L095 x 1"              | 1   |
| 6      | Z46405   | Spider, L095                           | 1   |
| 7      | Z46409   | Shaft Coupling, L095 x 1/2"            | 1   |
| 8      | Z53105   | Gear Pump, Series 10 x 0.33CIR         | 1   |
| 9      | Z53802   | Pump Mount, PM-9                       | 1   |
| 10     | Z55301   | Particulate Filter, FP12               | 1   |
| 11     | Z55302   | Filter Cap, MP12 x FP12                | 1   |
| 12     | Z55402   | Vented Plug Dipstick x 5"              | 1   |
| 13     | Z46511   | Key, 1/8" x 1/8" x 7/8"                | 1   |
| 14     | Z46535   | Key, 1/4" x 1/4" x 1-3/4"              | 1   |
| 15     | Z51191   | Hex Plug, MP 08                        | 1   |
| 16     | Z51334   | Elbow 90, MP x FFX 1208                | 1   |
| 17     | Z51383   | Elbow 90, MORB x FFX 0808              | 1   |
| 18     | Z51385   | Elbow 90, MORB x FFX 0608              | 1   |
| 19     | Z71207   | Hex Bolt, 5/16NC x 3/4"                | 4   |
| 20     | Z71273   | Hex Bolt, 5/16NF x 3/4"                | 4   |
| 21     | Z72221   | Hex Lock Nut, 5/16NC                   | 8   |
| 22     | Z72521   | Serrated Flange Locknut, 5/16NC        | 4   |
| 23     | Z72958   | Rivet Nut, 3/8NC x 150                 | 4   |
| 24     | Z72959   | Rivet Nut, 3/8NC x 312                 | 4   |
| 25     | Z74111   | Set Screw, 1/4NC x 1/4"                | 2   |
| 26     | Z74121   | Set Screw, 5/16NC x 3/8"               | 2   |
| 27     | Z76121   | Flange Bolt, 5/16NC x 3/4"             | 4   |
| 28     | Z76134   | Flange Bolt, 3/8NC x 1"                | 4   |
| 29     | Z76136   | Flange Bolt, 3/8NC x 1-1/2"            | 4   |
| 30     | Z79931   | Isolator, 1-1/4" Dia x 1-1/4" x 5/16NC | 4   |

**Hydraulic Winch Kit**

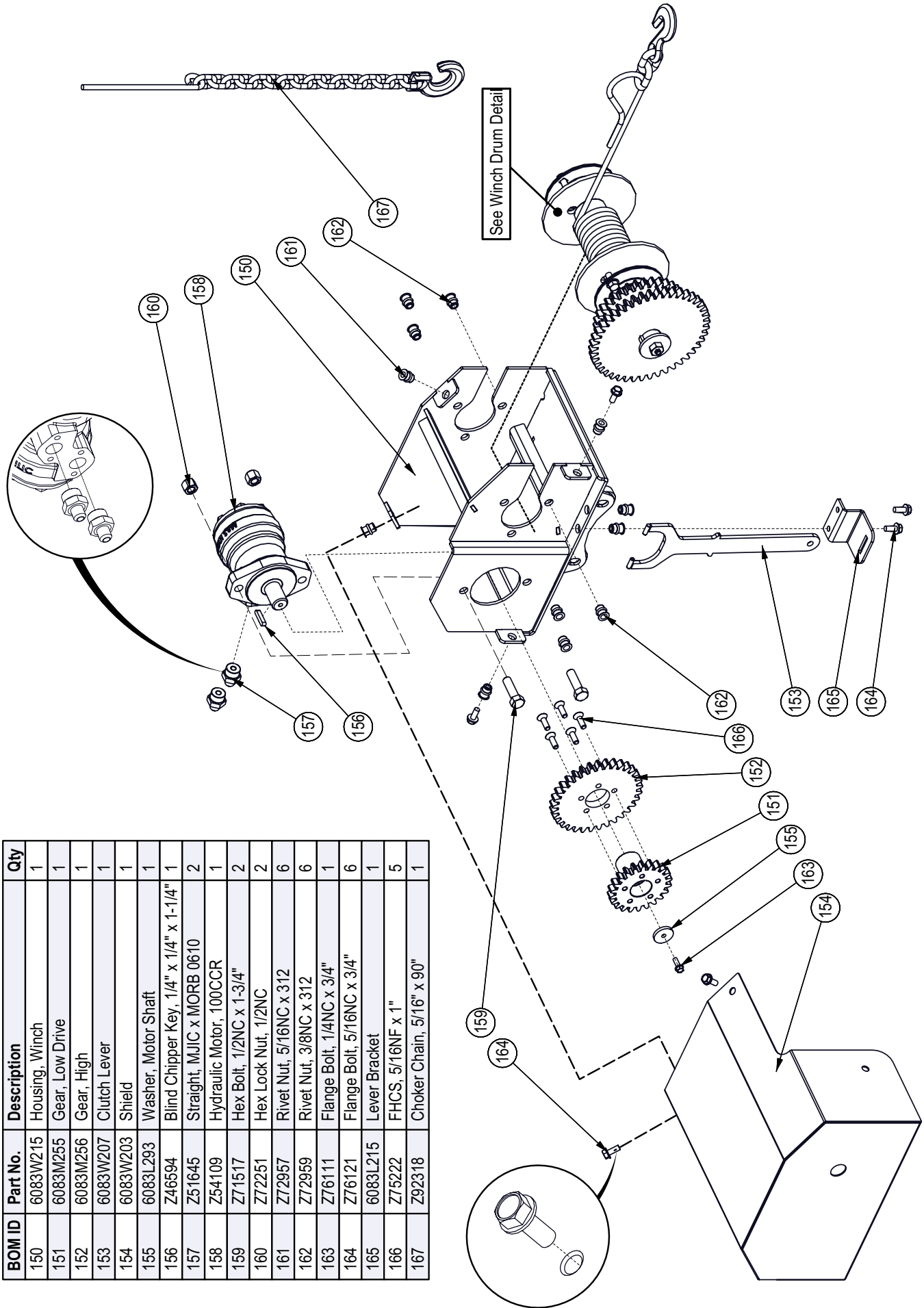


| BOM ID | Part No. | Description                 | Qty |
|--------|----------|-----------------------------|-----|
| 110    | 6083A201 | Top Cable Pulley            | 1   |
| 111    | 6083W200 | Fairlead Mount              | 1   |
| 112    | 6083L211 | Washer, Winch Mount         | 8   |
| 113    | Z71230   | Hex Bolt, 5/16NC x 3"       | 1   |
| 114    | Z76155   | Flange Bolt, 1/2NC x 1-3/4" | 8   |
| 115    | Z79462   | Double Hose Clamp, 1/2" OD  | 1   |
| 116    | Z71310   | Hex Bolt, 3/8NC x 1"        | 1   |
| 117    | Z72959   | Rivet Nut, 3/8NC x 312      | 1   |



**Hydraulic Winch Assembly**

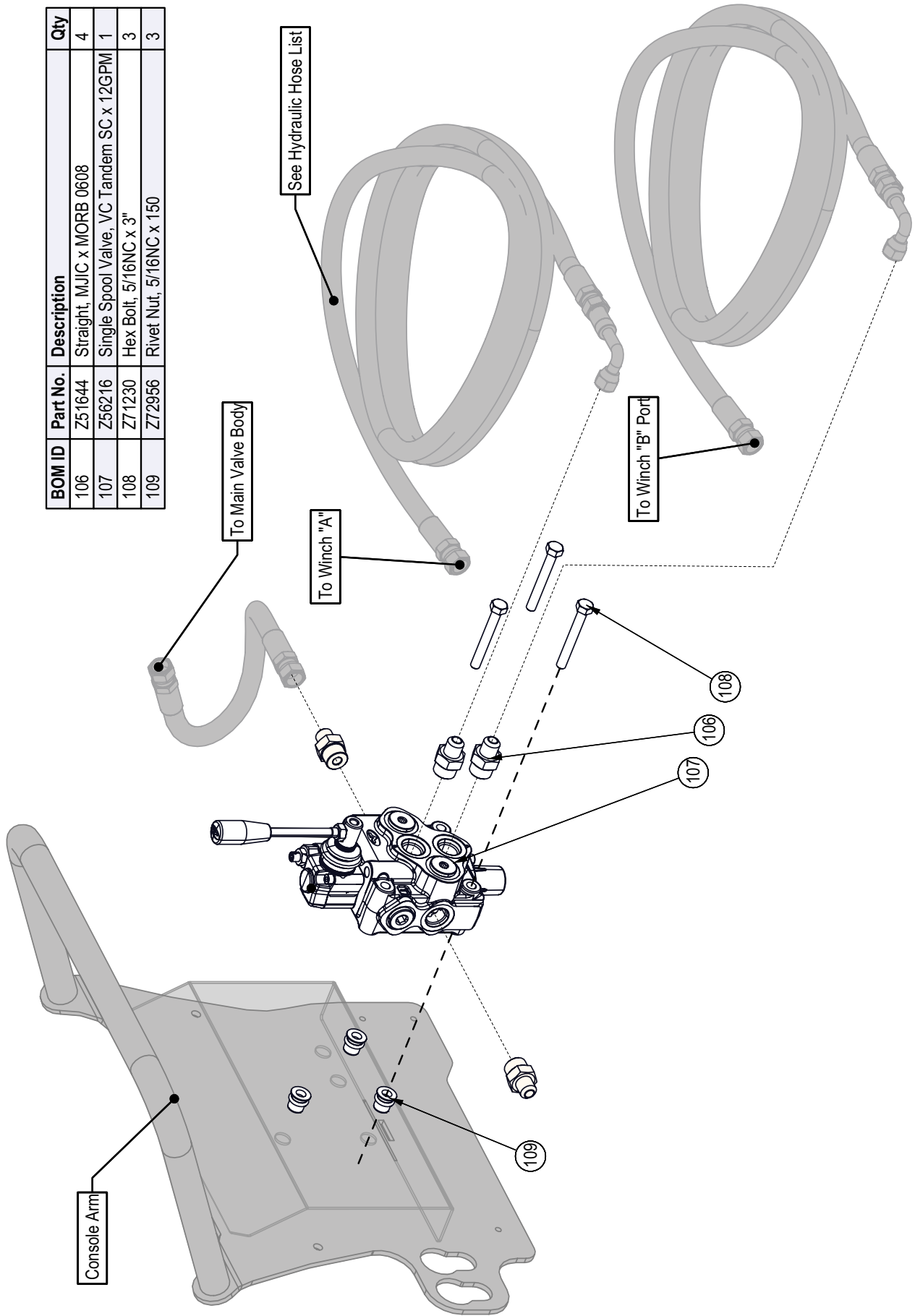
| BOM ID | Part No. | Description                             | Qty |
|--------|----------|---|-----|
| 150    | 6083W215 | Housing, Winch                          | 1   |
| 151    | 6083M255 | Gear, Low Drive                         | 1   |
| 152    | 6083M256 | Gear, High                              | 1   |
| 153    | 6083W207 | Clutch Lever                            | 1   |
| 154    | 6083W203 | Shield                                  | 1   |
| 155    | 6083L293 | Washer, Motor Shaft                     | 1   |
| 156    | Z46594   | Blind Chipper Key, 1/4" x 1/4" x 1-1/4" | 1   |
| 157    | Z51645   | Straight, MJIC x MORB 0610              | 2   |
| 158    | Z54109   | Hydraulic Motor, 100CCR                 | 1   |
| 159    | Z71517   | Hex Bolt, 1/2NC x 1-3/4"                | 2   |
| 160    | Z72251   | Hex Lock Nut, 1/2NC                     | 2   |
| 161    | Z72957   | Rivet Nut, 5/16NC x 3/12                | 6   |
| 162    | Z72959   | Rivet Nut, 3/8NC x 3/12                 | 6   |
| 163    | Z76111   | Flange Bolt, 1/4NC x 3/4"               | 1   |
| 164    | Z76121   | Flange Bolt, 5/16NC x 3/4"              | 6   |
| 165    | 6083L215 | Lever Bracket                           | 1   |
| 166    | Z75222   | FHCS, 5/16NF x 1"                       | 5   |
| 167    | Z92318   | Choker Chain, 5/16" x 90"               | 1   |



Model LX115W

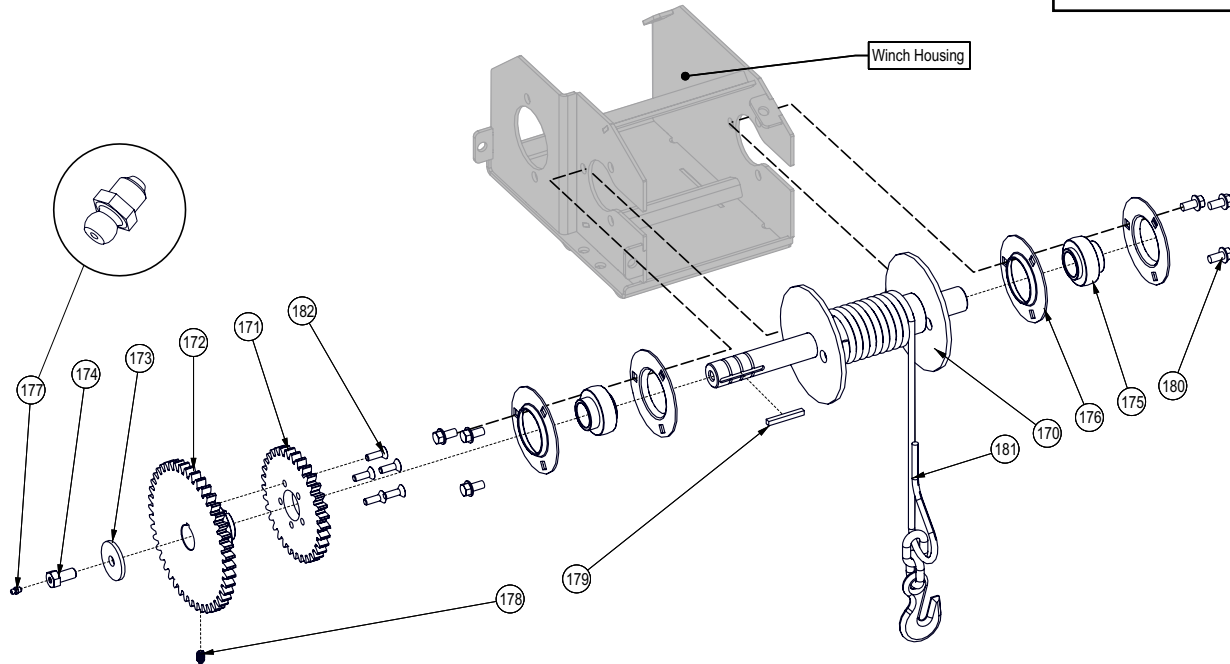
Hydraulic Winch Control Ass'y

| BOM ID | Part No. | Description                              | Qty |
|--------|----------|--|-----|
| 106    | Z51644   | Straight, MJIC x MORB 0608               | 4   |
| 107    | Z56216   | Single Spool Valve, VC Tandem SC x 12GPM | 1   |
| 108    | Z71230   | Hex Bolt, 5/16NC x 3"                    | 3   |
| 109    | Z72956   | Rivet Nut, 5/16NC x 150                  | 3   |



**Winch Drum Detail**

Model LX115W

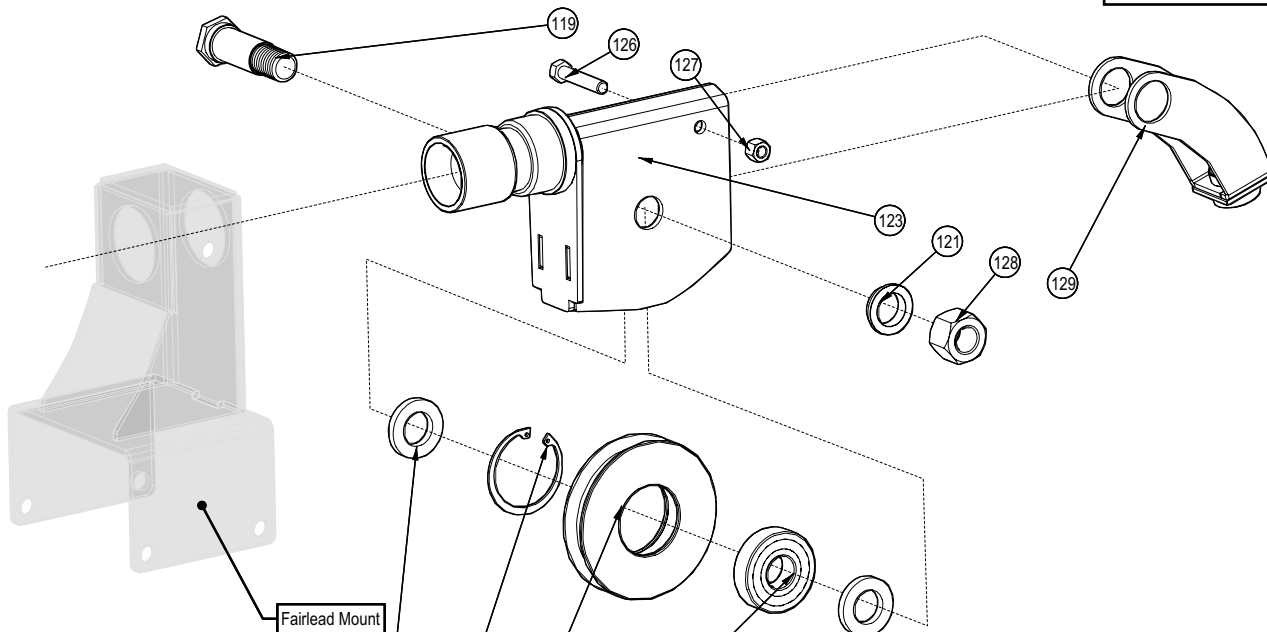


| BOM ID | Part No. | Description                                | Qty |
|--------|----------|--|-----|
| 170    | 6083W201 | Drum, Main Cable                           | 1   |
| 171    | 6083M256 | Gear, High                                 | 1   |
| 172    | 6083M257 | Gear, Low Driven                           | 1   |
| 173    | 6083L207 | Washer, Capture                            | 1   |
| 174    | 6083M252 | 1/2-13 x 1 Bolt Modified                   | 1   |
| 175    | Z25207   | Bearing Insert, UC206-20                   | 2   |
| 176    | Z25301   | 3-Bolt Flange Bearing, PF206 x Flange Only | 4   |

| BOM ID | Part No. | Description  | Qty |
|--------|----------|--|-----|
| 177    | Z29202   | Grease Fitting, 1/4NF                              | 1   |
| 178    | Z34302   | Spring Plunger, 3/8NC x 5/8" x 21 lbs              | 1   |
| 179    | Z46531   | Key, 1/4" x 1/4" x 2"                              | 1   |
| 180    | Z76133   | Flange Bolt, 3/8NC x 3/4"                          | 6   |
| 181    | Z92118   | Synthetic Winch Cable, 5/16" x 80ft with Grab Hook | 1   |
| 182    | Z75222   | FHCS, 5/16NF x 1"                                  | 5   |

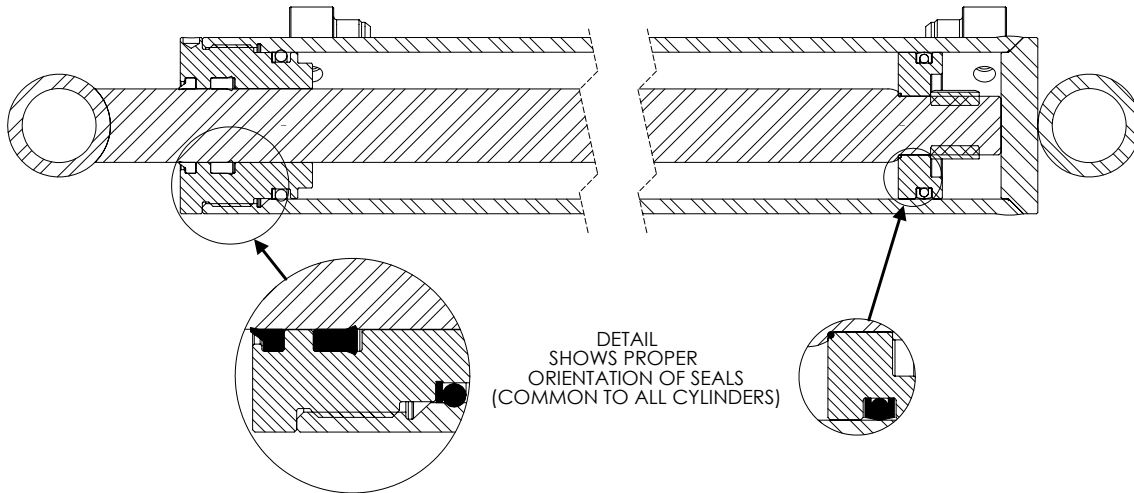
**Top Cable Pulley Detail**

Model LX115W

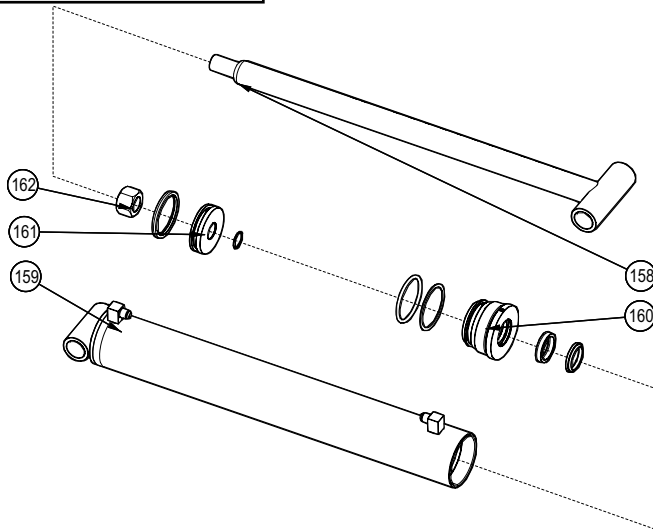


| BOM ID | Description | Description                    | Qty |
|--------|-------------|--------------------------------|-----|
| 119    | 5011M814    | Top Pulley Pin                 | 1   |
| 120    | 5011M816    | Cable Pulley                   | 1   |
| 121    | 5012M222    | Cable Guide Swing Bushing      | 1   |
| 122    | 6083L247    | Washer, Pulley Spacer - Narrow | 2   |
| 123    | 6083W211    | Frame, Top Pulley              | 1   |
| 124    | Z21201      | Ball Bearing 6305 2RS          | 1   |
| 125    | Z46101      | Internal Retaining Ring 2-7/16 | 1   |
| 126    | Z71320      | Hex Bolt, 3/8NC x 2            | 1   |
| 127    | Z72231      | Hex Lock Nut, 3/8NC            | 1   |
| 128    | Z72281      | Hex Lock Nut, 7/8-9NC          | 1   |
| 129    | 6083W208    | Cable Guide                    | 1   |

**Cylinders & Seal Installation**



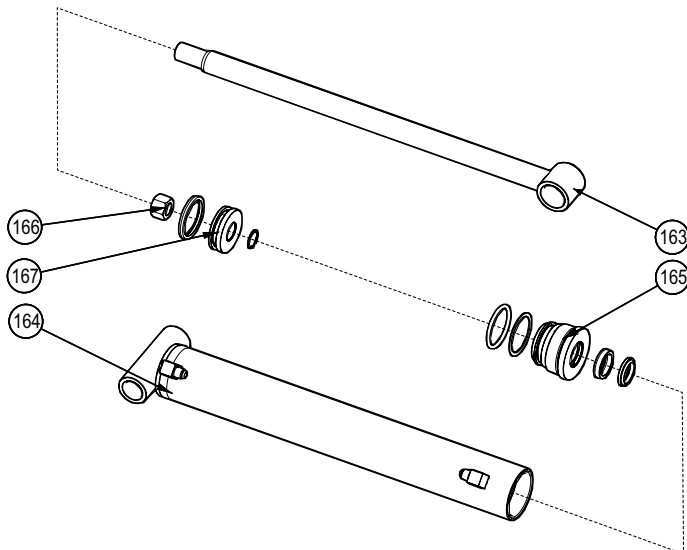
**6032C752 Main Boom Cylinder**



| BOM ID | Part Number | Description              | Qty |
|--------|-------------|--------------------------|-----|
| 158    | 6032C7523   | Rod, 1-1/2 x1            | 1   |
| 159    | 6032C7524   | Barrel, 3"               | 1   |
| 160    | G300-150S   | 3" X 1-1/2" GLAND        | 1   |
| 161    | P100-300SP  | 3" BORE PISTON           | 1   |
| 162    | Z72292G8    | Hex Lock Nut 1NF Grade 8 | 1   |

**Seal Kit: SLK-3015**

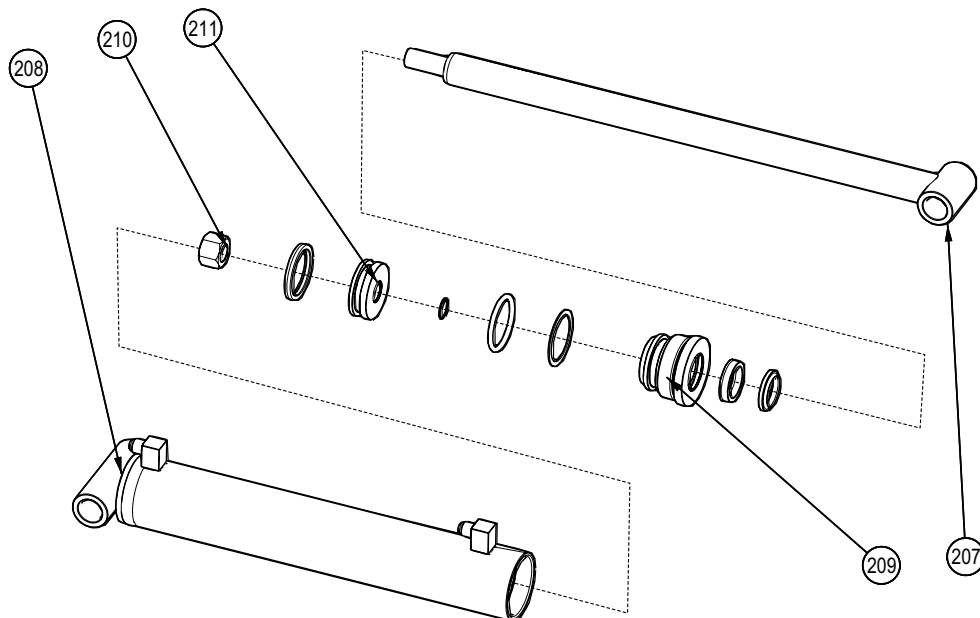
**6032C750 Dipper Boom Cylinder**



| BOM ID | Part Number | Description                | Qty |
|--------|-------------|----------------------------|-----|
| 163    | 6032C7503   | Rod, 1-1/4 x1              | 1   |
| 164    | 6032C7504   | Barrel, 2-1/2" Bore        | 1   |
| 165    | G250-125S   | 2-1/2" X 1-1/4" GLAND      | 1   |
| 166    | Z72272G8    | Hex Lock Nut 3/4NF Grade 8 | 1   |
| 167    | P100-250SP  | 2-1/2" BORE PISTON         | 1   |

**Seal Kit: SLK-2512**

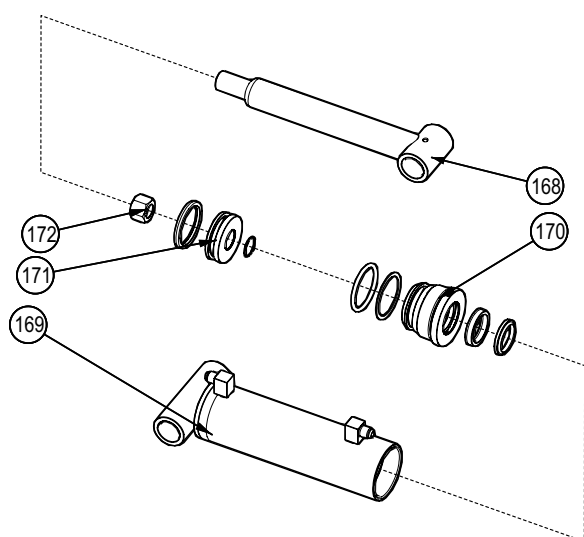
**6032C754 Stabilizer Cylinder**



**Seal Kit: SLK-2012**


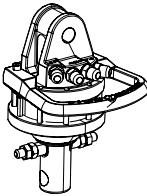
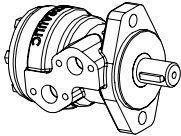
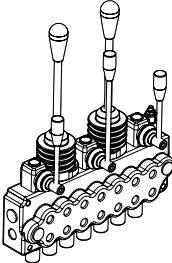
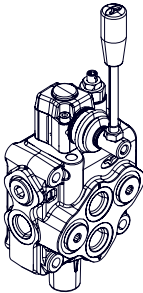
| BOM ID | Description | Description                | Qty |
|--------|-------------|----------------------------|-----|
| 207    | 6032C7543   | Rod, 1-1/4x3/4             | 1   |
| 208    | 6032C7544   | Barrel, 2-1/4" Bore        | 1   |
| 209    | G225-125S   | 2-1/4" X 1-1/4" GLAND      | 1   |
| 210    | Z72272G8    | Hex Lock Nut 3/4NF Grade 8 | 1   |
| 211    | P750-225SP  | 2-1/4" BORE PISTON         | 1   |

**6012C205 Grapple Cylinder**



| BOM ID | Part Number | Description                | Qty |
|--------|-------------|----------------------------|-----|
| 168    | 6012C2053   | Rod, 1-1/2 x1              | 1   |
| 169    | 6012C2054   | Barrel, 2-1/2"             | 1   |
| 170    | G250-150S   | 2-1/2" X 1-1/2" GLAND      | 1   |
| 171    | P100-250SP  | 2-1/2" BORE PISTON         | 1   |
| 172    | Z72272G8    | Hex Lock Nut 3/4NF Grade 8 | 1   |

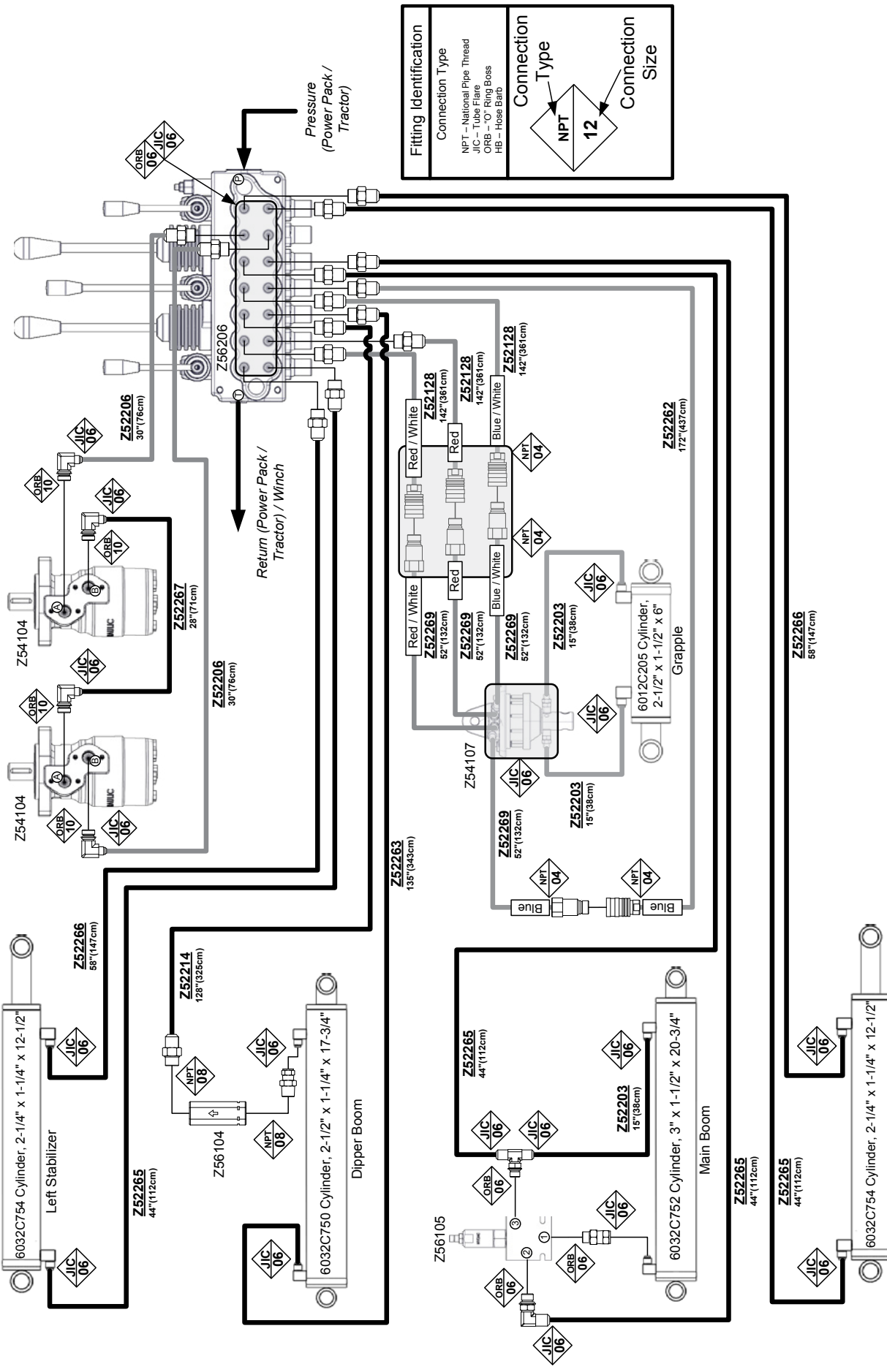
**Seal Kit: SLK-2515**

|  |                                       |   |
|--|---------------------------------------|---|
| <p><b>Seal Kits</b></p>  |                                       | <p><b>Seal Kit: Z54107 CR300 Hydraulic Rotator</b></p>  |
| <p><b>Seal Kit: Z54104 315 Series Hydraulic Motor (Main boom)</b></p>              |                                       |   |
|   | <p><b>Seal Kit: SK MLHP-U/D,E</b></p> |  <p><b>Seal Kit: RK CR300</b></p> |
| <p><b>Seal Kit: Z54108 Hydraulic Motor (Winch) MLHP 50</b></p>                     |                                       | <p><b>Seal Kit: Z54206 Monoblock 7-Section Valve</b></p>  |
|   | <p><b>Seal Kit: SK MLHP-U/D,E</b></p> |  <p><b>Seal Kit: SK SD5/7</b></p> |
| <p><b>Seal Kit: Z56216 Single Spool Valve</b></p>                                  |                                       |   |
|  | <p><b>Seal Kit: SK SD5/1</b></p>      |   |

|                            |
|----------------------------|
| <b>Hydraulic Hose List</b> |
|----------------------------|

| Part Number | Description                        | Qty | Where Used                 |
|-------------|------------------------------------|-----|----------------------------|
| Z52203      | 3/8" Hose, FJIC06 x FJIC06 x 15"   | 3   | LX115 / LX115W             |
| Z52206      | 3/8" Hose, FJIC06 x FJIC06 x 30"   | 2   | LX115 / LX115W             |
| Z52214      | 3/8" Hose, FJIC06 x FJIC06 x 128"  | 1   | LX115 / LX115W             |
| Z52262      | 3/8" Hose, FJIC06 x MP04 x 172"    | 4   | LX115 / LX115W             |
| Z52263      | 3/8" Hose, FJIC06 x FJIC06 x 135"  | 1   | LX115 / LX115W             |
| Z52265      | 3/8" Hose, FJIC06 x FJIC06 x 44"   | 4   | LX115 / LX115W             |
| Z52266      | 3/8" Hose, FJIC06 x FJIC06 x 58"   | 2   | LX115 / LX115W             |
| Z52267      | 3/8" Hose, FJIC06 x FJIC06 x 28"   | 1   | LX115 / LX115W             |
| Z52269      | 3/8" Hose, 45FJIC08 x MP04 x 52"   | 4   | LX115 / LX115W             |
| Z52222      | 3/8" Hose, FJIC06 x 90FJIC06 x 92" | 2   | LX115W                     |
| Z52203      | 3/8 Hose,#6FJICx#6FJICx15"         | 1   | LX115W                     |
| Z52260      | 3/8" Hose, FJIC06 x MP08 x 48"     | 2   | L601 Power Pack            |
| Z52347      | 1/2" Hose, MP08 x MP08 x 30"       | 1   | L601 Power Pack            |
| Z52348      | 1/2" Hose, MP08 x MP08 x 78"       | 2   | L101 Tractor Hydrualic Kit |
| Z52206      | 3/8 Hose,#6FJICx#6FJIC 90x30"      | 1   | L101 Tractor Hydrualic Kit |
| Z52203      | 3/8 Hose,#6FJICx#6FJICx15"         | 1   | L101 Tractor Hydrualic Kit |

Hydraulic Schematic

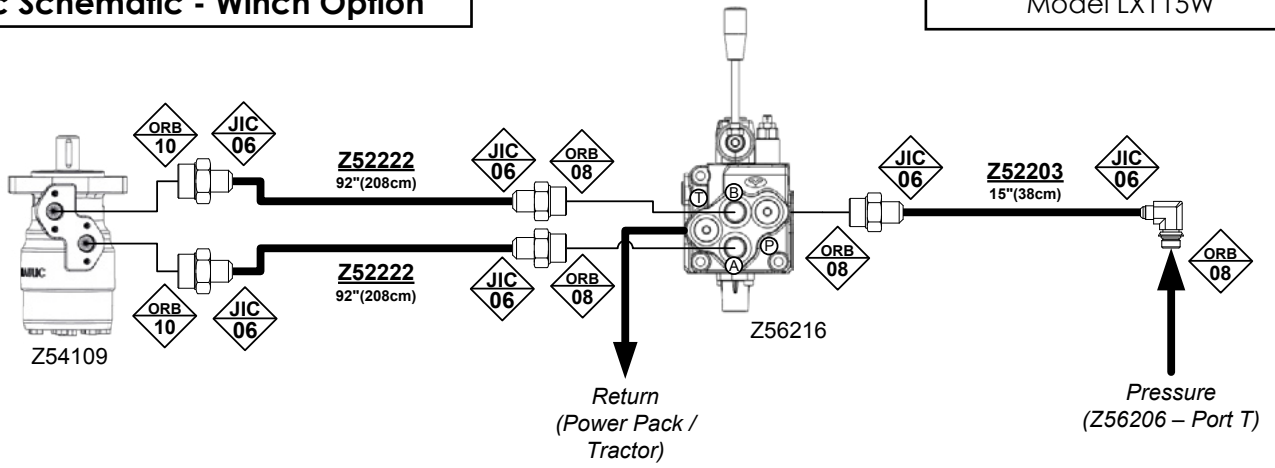


Note: This hydraulic schematic does not include the optional winch or optional hydraulic drawbar for the Timber Talon log trailer models. See the page 23, for the winch, see the Timber Talon log trailer parts manual for the hydraulic drawbar schematic.

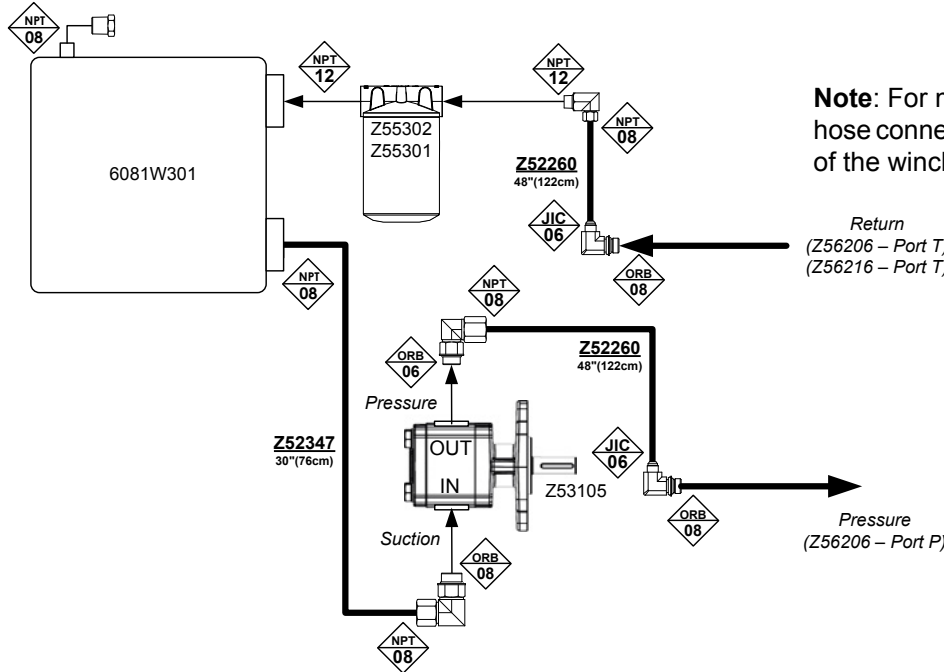


**Hydraulic Schematic - Winch Option**

Model LX115W



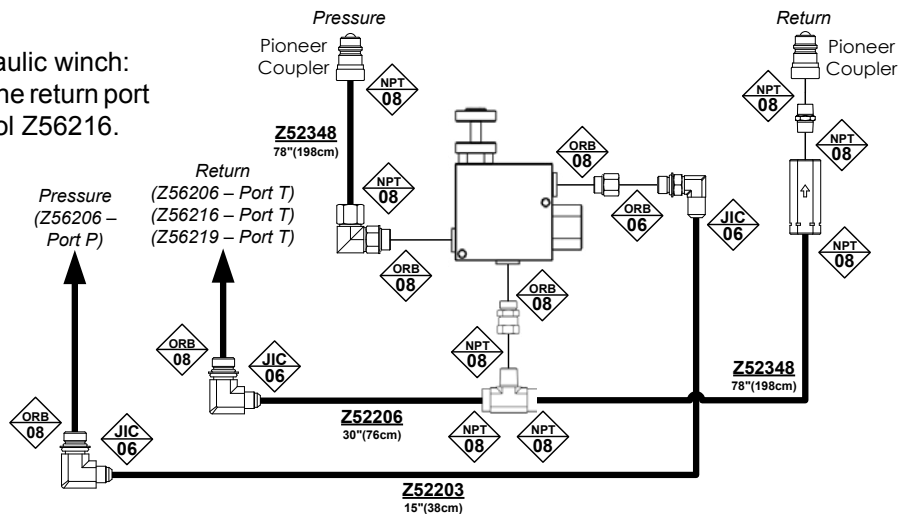
**Hydraulic Schematic - Power Pack**



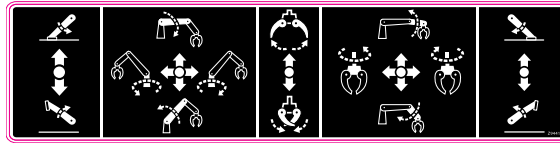
**Note:** For models with hydraulic winch: hose connection is made at the return port of the winch hydraulic control Z56216.

**Hydraulic Schematic - Tractor Hydraulic Kit**

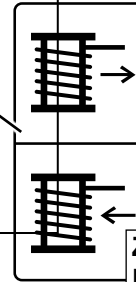
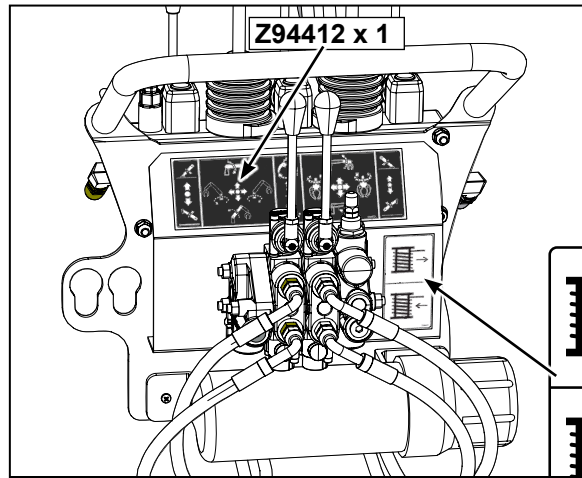
**Note:** For models with hydraulic winch: hose connection is made at the return port of the winch hydraulic control Z56216.



Labels



REMEMBER - If safety signs have been damaged, removed, become illegible or parts replaced without safety signs, new signs must be applied. New safety signs are available from your authorized dealer.



Z94401 x 1  
LX115W

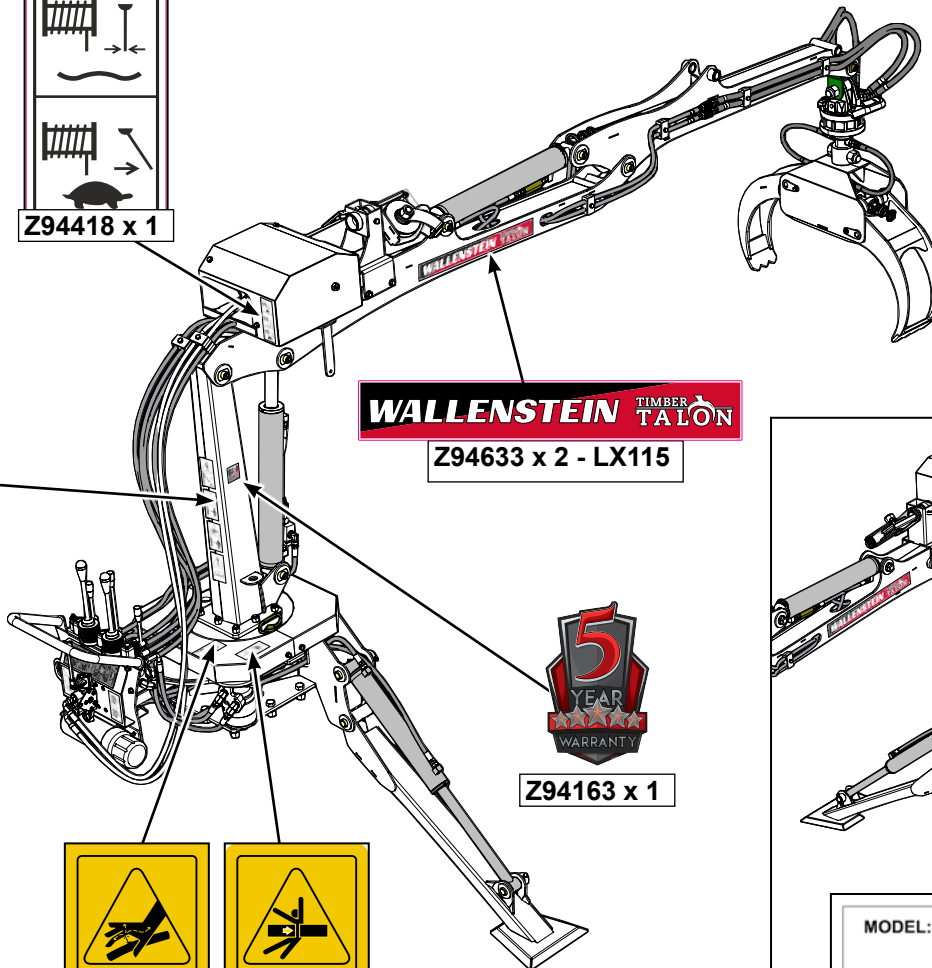
Z94211 x 1

Z94210 x 1

Z94112 x 1

Z94119 x 1

Z94418 x 1



**WALLENSTEIN** **TIMBER TALON**

Z94633 x 2 - LX115



Z94163 x 1



Z94617 x 1

MODEL: #####-###

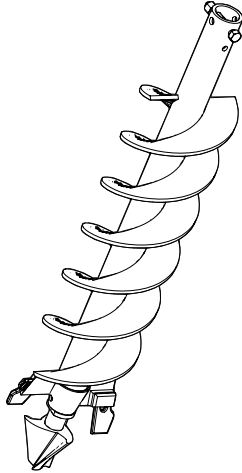
SERIAL NUMBER: #####

**WALLENSTEIN** www.wallensteinequipment.com  
EMB MFG INC, 4144 BOOMER LINE,  
ST CLEMENTS, ON N0B 2M0 CANADA

**Serial Location**

## Accessories

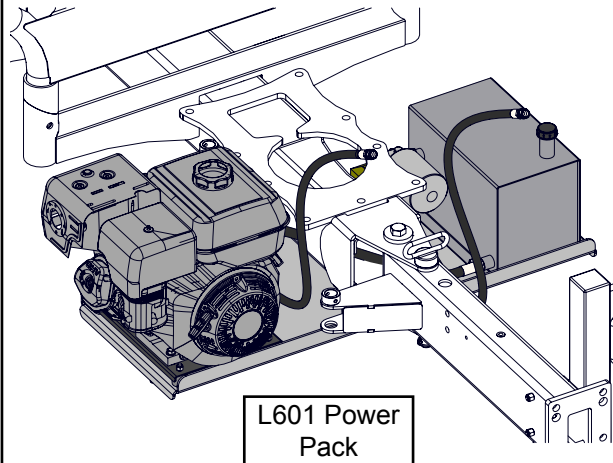
Call your dealer for pricing and availability



#LA610 6" Diameter Auger Kit  
#LA910 9" Diameter Auger Kit

**For all LX models.**

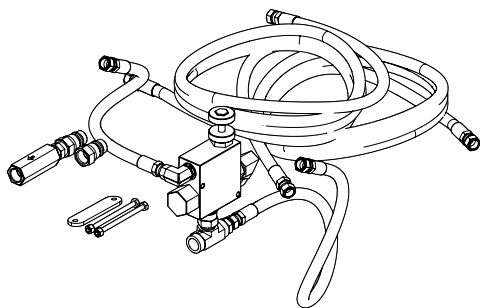
A great way to get your fence post jobs done quickly and efficiently. Both hydraulic augers are capable of a hole depth of a 107 cm (42")



L601 Power Pack

**#L601 LX115 POWER PACK**

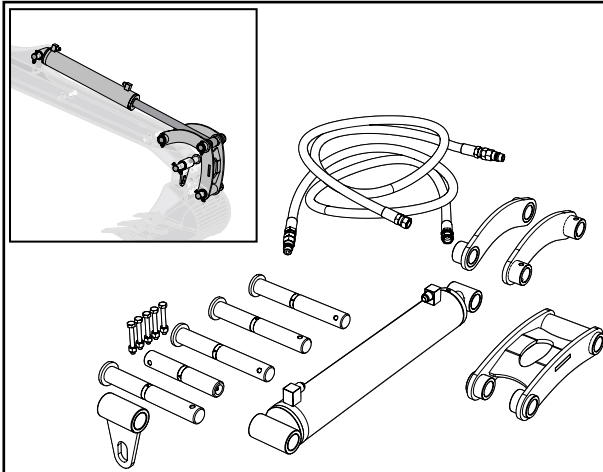
Independently power your LX grapple: the **L601 for LX115** features a 9HP Honda engine. Power packs include hydraulic pump and 17.5 litre (4.6 us gal) reservoir tank.



**#L101 Tractor Hydraulic Kit**

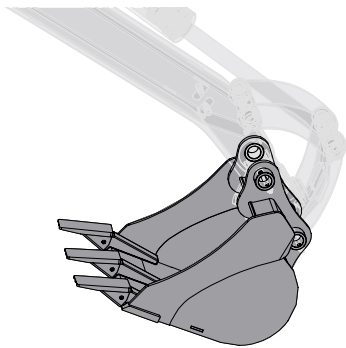
**For all LX models**

Makes use your existing tractor hydraulics, comes with everything you need to attach and control you hydraulics. Includes: flow control, hoses, and hardware



### #BA201 Back Hoe Kit

For **all LX models**. (Bucket not included)  
Trenching made easier with this great accessory, includes: hydraulic cylinder, hoses, bucket linkage, pins & hardware)



### #BK series Bucket Options for #BA201 Back Hoe Kit:

Choose the bucket you need for the job at hand.

- BK2690** 9" 3 Tooth Bucket
- BK2612** 12" 3 Tooth Bucket
- BK2615** 15" 4 Tooth Bucket
- BK2618** 18" 4 Tooth Bucket



### #Z97068 OPERATOR'S MANUAL

Available as a download at  
[www.wallensteinequipment.com](http://www.wallensteinequipment.com)