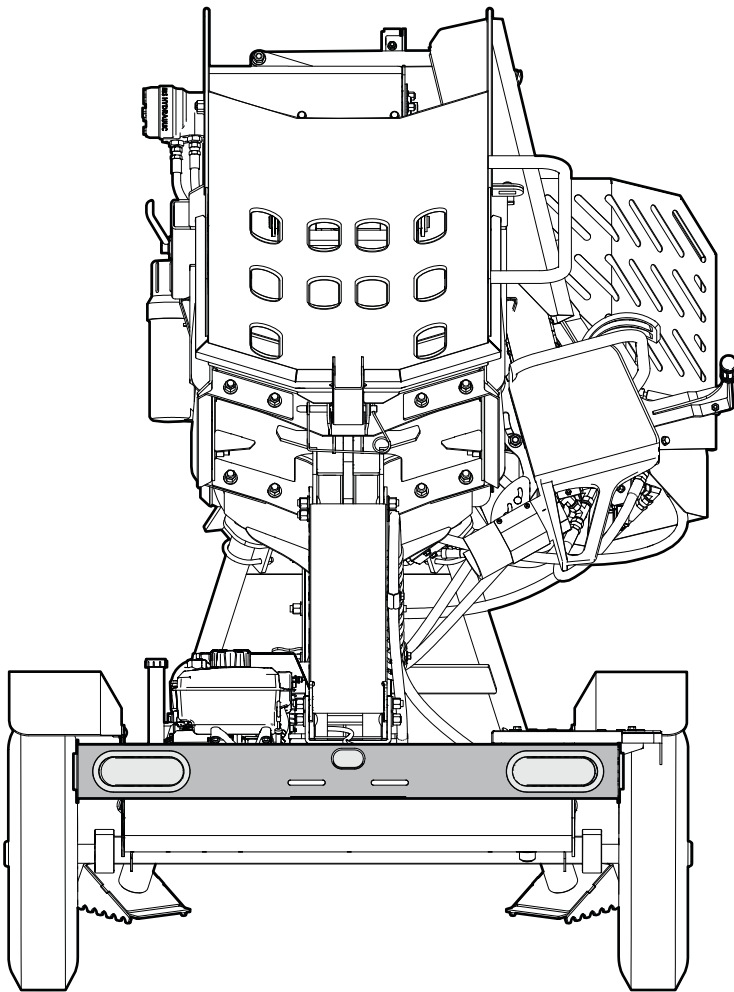


# INSTALLATION INSTRUCTIONS

---

## P305 Trailer Light Kit



# 1. Introduction

 **WARNING!**

**Read the machine operator's manual before you install or use this accessory. Carefully read all the safety information and understand the safety labels that are on the machine. Failure to read and understand the machine information can result in serious personal injury or machine damage.**

---

The P305 trailer light kit only works with the WP525 firewood processor.

Illustrations are provided for reference only. It is possible that some details are not shown.

For support or service, contact your local Wallenstein Equipment dealer or distributor.

**Wallenstein Equipment Inc. • © 2024. All rights reserved.**

No part of this work may be copied, reproduced, replaced, distributed, published, displayed, modified, or transferred in any form or by any means except with the prior permission of Wallenstein Equipment Inc.

## 2. Safety

### WARNING!

Read the machine operator's manual before you install or use this accessory. Carefully read all the safety information and understand the safety labels that are on the machine. Failure to read and understand the machine information can result in serious personal injury or machine damage.

When you see this symbol, be aware of the possibility of personal injury or death. Follow the instructions in the safety message.



### 2.1 Safety Alert Symbol

This Safety Alert Symbol means:

**ATTENTION! BE ALERT!**

**YOUR SAFETY IS INVOLVED!**

The safety alert symbol identifies important safety messages on the machine and in the manual.

### 2.2 Signal Words

The signal words **DANGER**, **WARNING** and **CAUTION** identify the severity of a hazard to anyone who uses the machine. The applicable signal word for each message was selected using the following guidelines:

#### **DANGER**

Identifies a hazardous situation that, if not avoided, **will** result in serious injury or death. This signal word is used to tell anyone who uses the machine about the most hazardous situations and machine components that cannot be guarded against.

#### **WARNING**

Identifies a hazardous situation that, if not avoided, **could** result in serious injury or death. This signal word includes hazards that occur when guards are removed and can be used to tell anyone who uses the machine about unsafe practices.

#### **CAUTION**

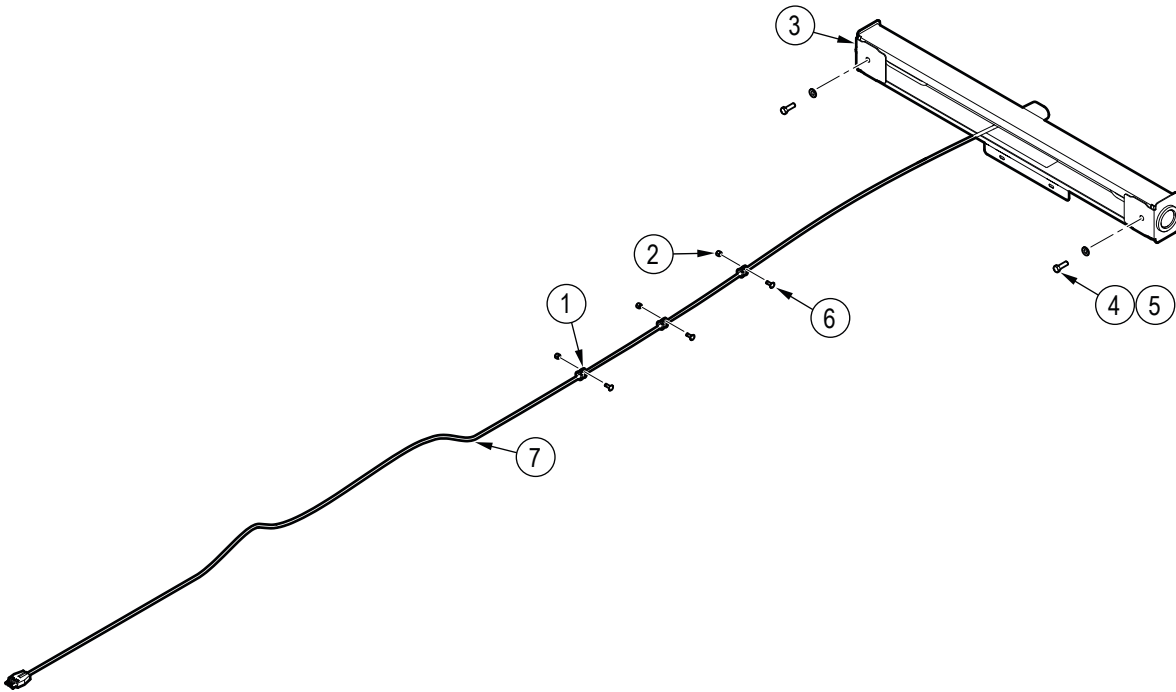
Identifies a hazardous situation that, if not avoided, **could** result in minor or moderate injury. It can also be used to tell anyone who uses the machine about unsafe practices.

**IMPORTANT** – Identifies a situation that could result in damage to the machine or property, but is not a personal injury hazard.



Provides additional information that is helpful.

### 3. Accessory Components



**Figure 1**—Accessory components

Item	Part Number	Description	Quantity
1	Z62819	Cable clamp	3
2	Z72211	Hex lock nut, 1/4" NC	3
3	2252W308	Light-bar assembly	1
4	Z71210	Hex bolt, 5/16" NC x 1"	2
5	Z73122G8	SAE Washer, 5/16" Gr. 8	2
6	Z76211	Carriage bolt, 1/4" NC x 3/4"	3
7	2252F318	Wire harness	1

## 4. Install a Trailer Light Kit

### WARNING!

Read the installation instructions fully before you start. Make sure that the accessory is installed correctly. Do not change any components. Incorrect installation or changes to the equipment can cause serious injury or damage the machine.

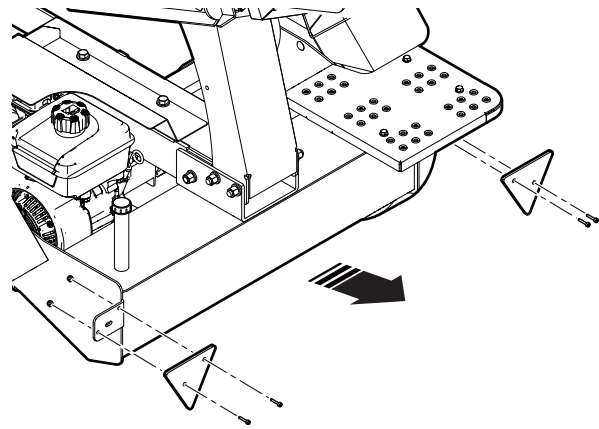
This procedure tells you how to install a P305 trailer light kit on a WP525 firewood processor.

The trailer light kit item numbers are in brackets and are defined under *Accessory Components* on page 4.

### Step 1

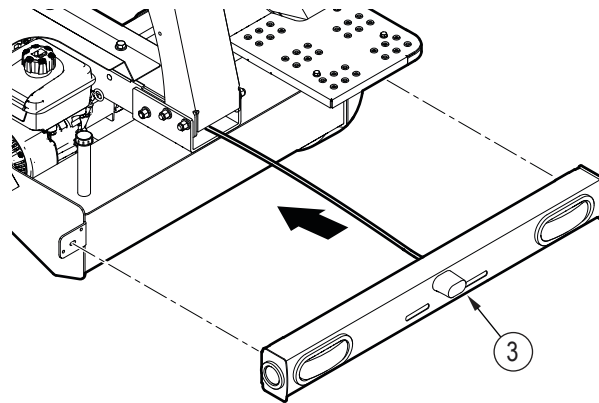
Remove the reflectors from the machine frame. Remove the four screws, four washers, and four nuts.

Set aside the fasteners and components. They are not necessary for installation.



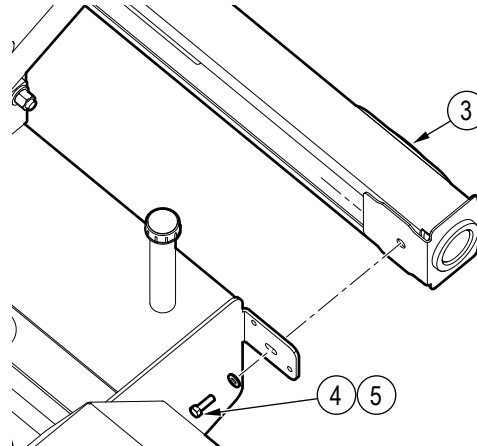
### Step 2

Align the bolt holes on the light-bar assembly (3) with the bolt holes on the machine frame.



### Step 3

Install the light-bar assembly (3) on the machine frame. On each side of the machine, install a bolt (4) and a washer (5).



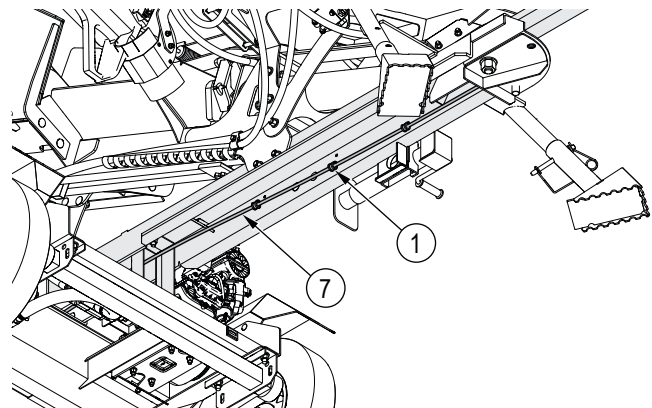
### Step 4

Put the wire harness (7) through the three cable clamps (1).

### Step 5

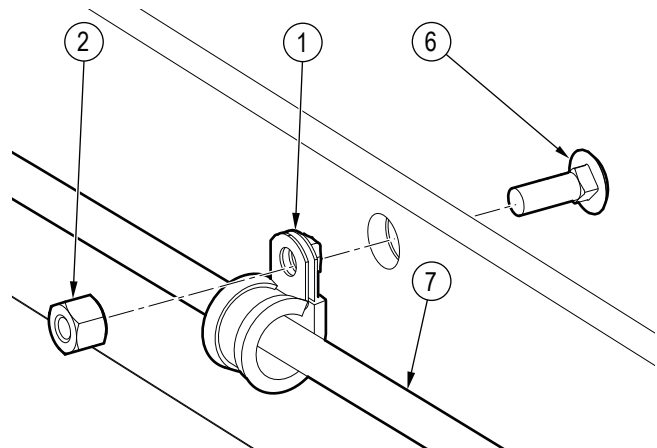
**IMPORTANT! Be careful with the wire harness.**

Put the wire harness (7) through the machine frame.



### Step 6

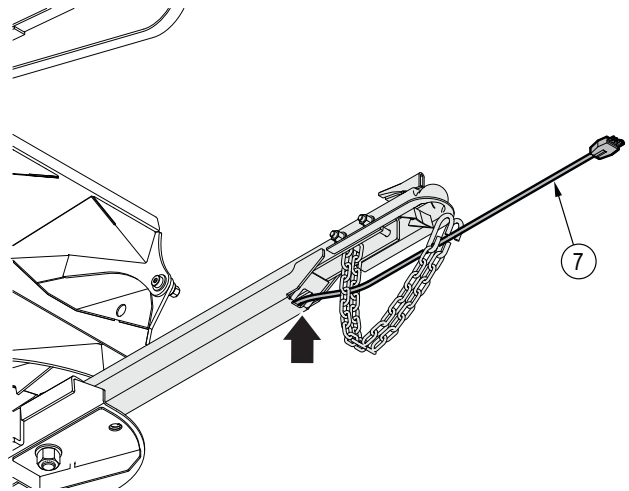
Install each of the three cable clamps on the machine frame with a bolt (6) and a nut (2).



**Step 7**

**IMPORTANT!** Be careful with the wire harness.

Put the wire harness (7) through the recess in the trailer tongue.



## 5. Test the Electrical Connection

This procedure tells you how to test the trailer light kit electrical connection. Two people are necessary to do the test.

For more information, see the firewood processor Operator's Manual.

1. Attach the machine to a tow vehicle.  
For instructions, see the firewood processor Operator's Manual.
2. Stop the tow vehicle and apply the emergency brake.
3. Connect the wire harness to the tow vehicle.
4. Examine the wire harness to make sure that the wire harness length is correct.  
Make sure that the wire harness does not touch the ground, but the tow vehicle can turn without tension on the wire harness.
5. Have one person stand a safe distance from the machine where they can see the trailer lights.
6. Have the second person start the tow vehicle.  
Make sure that the tow vehicle emergency brake is on.  
For instructions, see the tow vehicle manual.
7. Do each of the following at the same time:
  - If you are the person in the tow vehicle, operate each of the following lights:
    - Brake lights
    - Right side turn signal
    - Left side turn signal
  - If you are the person who can see the trailer lights, watch to see if the following lights illuminate:
    - License plate light (stays on)
    - Brake lights
    - Right side turn signal
    - Left side turn signal
8. Do one of the following:
  - If the trailer lights operate correctly, the wire harness is connected correctly.
  - If the trailer lights do not operate correctly, check the wire harness connection to the tow vehicle. Make sure that the connection is correct and tight.  
For more help, contact your local Wallenstein dealer or distributor.
9. Stop the tow vehicle.  
For instructions, see the tow vehicle manual.



## 6. Bolt Torque Specifications

**IMPORTANT!** If you replace hardware, use fasteners of the same grade.

**IMPORTANT!** The torque specifications in these tables are for non-greased or non-oiled threads. Do not grease or oil fastener threads unless otherwise indicated. When using a thread lock, increase the specified torque 5%.



Bolt grades are identified by the marks on the bolt head.

The bolt torque specification tables provide the correct torque settings for common bolts and capscrews. Tighten all bolts to the torque that is specified in the table, unless otherwise indicated. Check the bolt tightness periodically.

### Imperial Bolt Torque Specifications

Bolt Diameter	Torque					
	SAE Gr. 2		SAE Gr. 5		SAE Gr. 8	
	lbf•ft	N•m	lbf•ft	N•m	lbf•ft	N•m
<b>1/4 inch</b>	6	8	9	12	12	17
<b>5/16 inch</b>	10	13	19	25	27	36
<b>3/8 inch</b>	20	27	33	45	45	63
<b>7/16 inch</b>	30	41	53	72	75	100
<b>1/2 inch</b>	45	61	80	110	115	155
<b>9/16 inch</b>	60	95	115	155	165	220
<b>5/8 inch</b>	95	128	160	215	220	305
<b>3/4 inch</b>	165	225	290	390	400	540
<b>7/8 inch</b>	170	230	420	570	650	880



SAE Gr. 2



SAE Gr. 5



SAE Gr. 8

### Metric Bolt Torque Specifications

Bolt Diameter	Torque			
	Gr. 8.8		Gr. 10.9	
	lbf•ft	N•m	lbf•ft	N•m
<b>M3</b>	0.4	0.5	1.3	1.8
<b>M4</b>	2.2	3	3.3	4.5
<b>M6</b>	7	10	11	15
<b>M8</b>	18	25	26	35
<b>M10</b>	37	50	52	70
<b>M12</b>	66	90	92	125
<b>M14</b>	83	112	116	158
<b>M16</b>	166	225	229	310
<b>M20</b>	321	435	450	610
<b>M30</b>	1,103	1,495	1,550	2,100



8.8



10.9

## 7. Warranty



### LIMITED WARRANTY

Wallenstein products are warranted to be free of defects in materials and workmanship under normal use and service, for a period of

**Five Years for Consumer Use**

**Two Years for Commercial/Rental Use**

from the date of purchase, when operated and maintained in accordance with the operating and maintenance instructions supplied with the unit. Warranty is limited to the repair of the product and/or replacement of parts.

This warranty is extended only to the original purchaser and is not transferable.

Repairs must be done by an authorized dealer. Products will be returned to the dealer at the customer's expense. Include the original purchase receipt with any claim.

**This warranty does not cover the following:**

- 1) Normal maintenance or adjustments
- 2) Normal replacement of wearable and service parts
- 3) Consequential damage, indirect damage, or loss of profits
- 4) Damages resulting from:
  - Misuse, negligence, accident, theft or fire
  - Use of improper or insufficient fuel, fluids or lubricants
  - Use of parts or aftermarket accessories other than genuine Wallenstein parts
  - Modifications, alteration, tampering or improper repair performed by parties other than an authorized dealer
  - Any device or accessories installed by parties other than an authorized dealer
- 5) Engines. Engines are covered by the manufacturer of the engine for the warranty period they specify. For the details of your engine warranty, see your engine owner's manual. Information about engine warranty and service is also available in the FAQ section at [www.wallensteinequipment.com](http://www.wallensteinequipment.com)



A series of 20 horizontal lines spanning the width of the page, providing a template for writing.



**MAKING WORK FEEL MORE LIKE PLAY™**

[WallensteinEquipment.com](http://WallensteinEquipment.com)

