



EC3300 Generator Parts Manual

S/N 6710145 & After



Foreword

EMB Mfg. has prepared this parts manual to assist customers in ordering quality OEM replacement parts.

Proper and regular service and replacing old, worn or broken parts with the correct Wallenstein parts are essential to prolonging the life of your Wallenstein product. Please refer to this manual before ordering any replacement parts.

All information contained in this parts manual is based on the latest product specification available at the time of printing this manual. If your product differs from the specifications contained within this manual contact EMB Mfg. for information.

EMB reserves the right to alter specifications on their products at any time.

Reproduction of this parts manual of any kind is prohibited without prior written permission from EMB Mfg.

Note: Log splitters with factory installed light kits will have a VIN number included. The last six numbers of this VIN number are the splitters serial number

Example: 2E9US1112BSXXXXXX

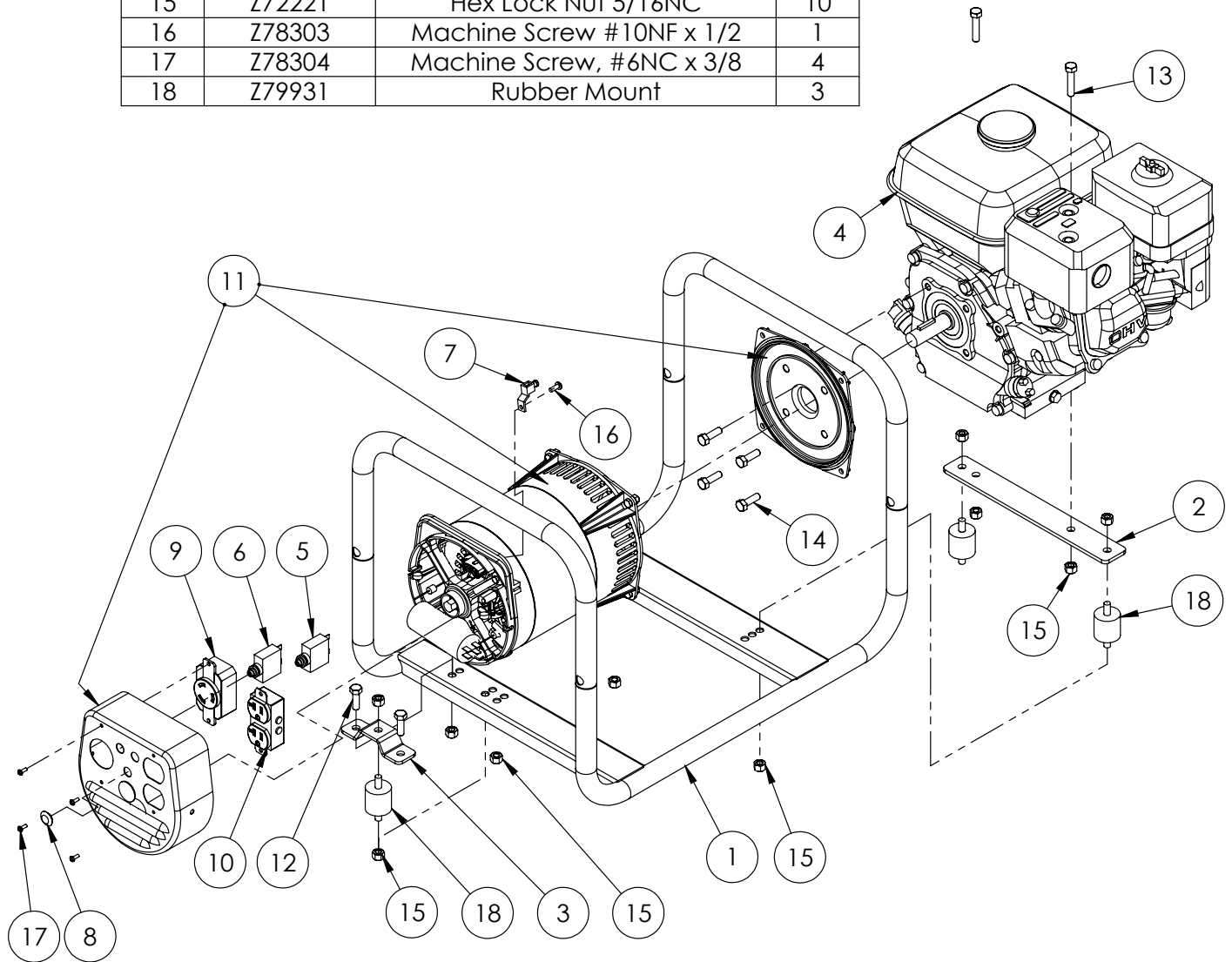
Serial Number

Table of Contents

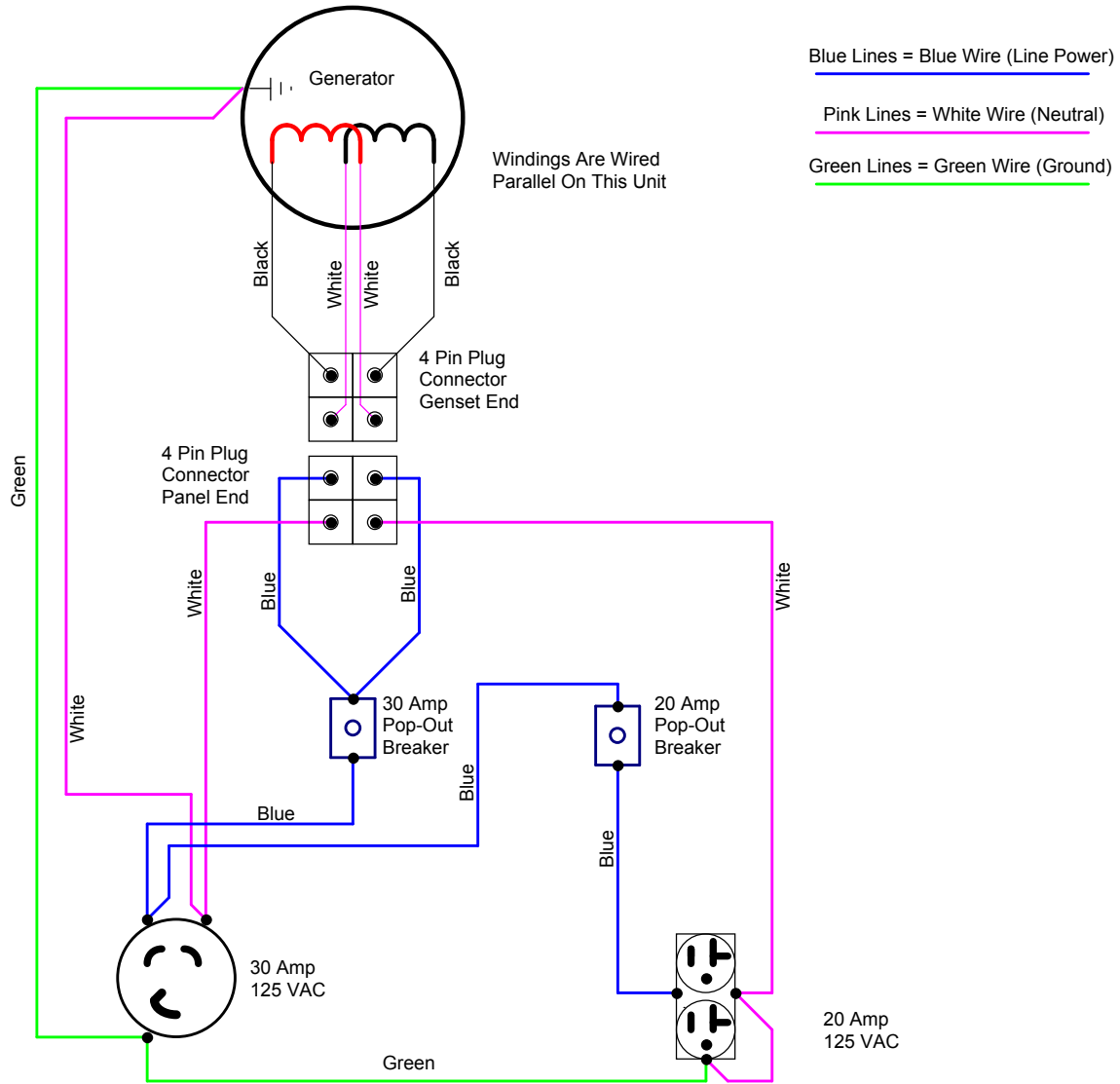
Main Parts	4
Wiring Diagram	5
Alternator	7

EC3300 GENERATOR PARTS BREAKDOWN

ITEM	PART NO.	Description	QTY.
1	4011W101	Small EC Frame	1
2	4013L301	Bracket, VX Engine Mount	1
3	4013L302	Bracket, VX Generator Mount	1
4	Z47132	Honda GX200 Engine	1
5	Z62612	Popout Breaker, 20A	1
6	Z62614	Popout Breaker, 30A	1
7	Z62711	Grounding Terminal, 6-14	1
8	Z62813	Plug, #18	1
9	Z63404	Recp., 30A 125V L5-30	1
10	Z63406	Recp., 20A 125V 5-15R	1
11	Z65403	Alternator, 3.4kVA	1
12	Z71210	Hex Bolt 5/16NC x 1	2
13	Z71215	Hex Bolt, 5/16NC x 1-1/2	2
14	Z71274	Hex Bolt, 5/16NF x 1	4
15	Z72221	Hex Lock Nut 5/16NC	10
16	Z78303	Machine Screw #10NF x 1/2	1
17	Z78304	Machine Screw, #6NC x 3/8	4
18	Z79931	Rubber Mount	3

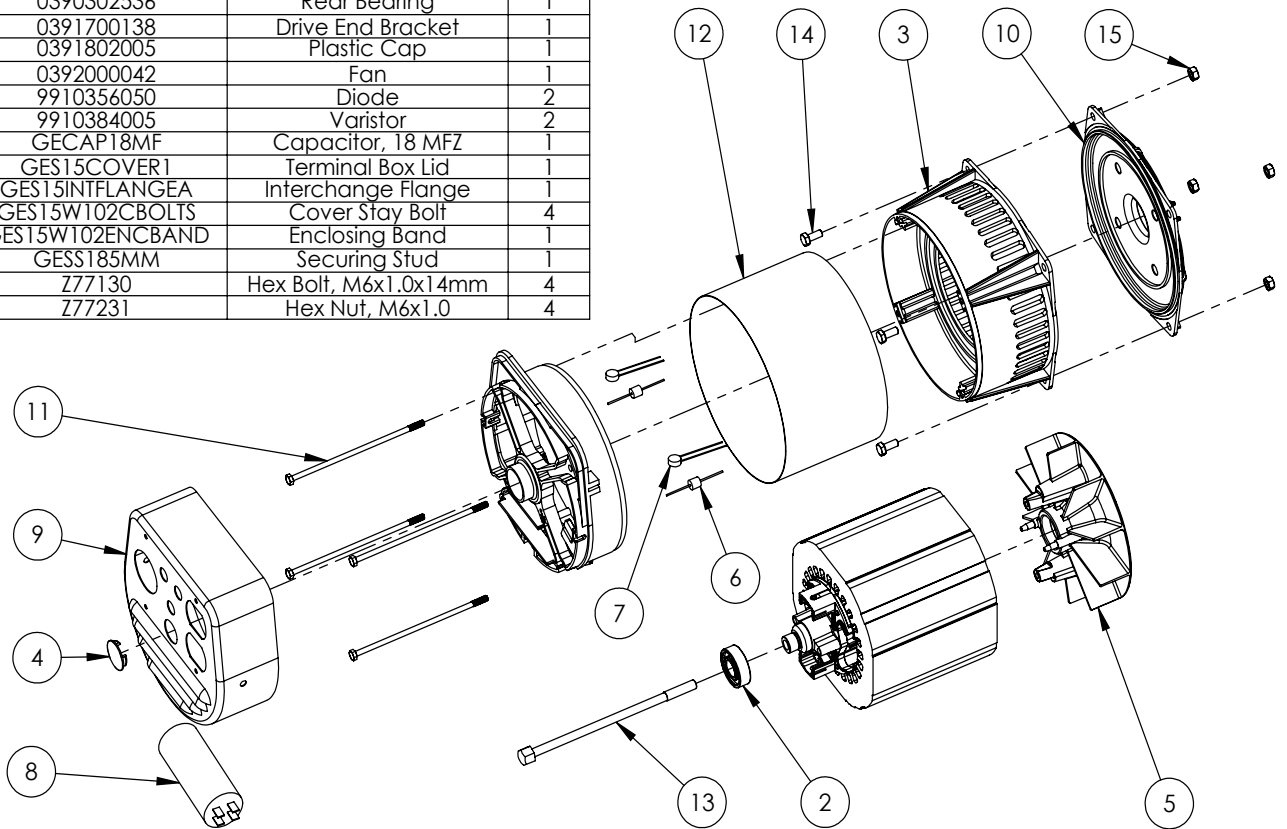


Wiring Diagram For Model EC - 3000



Z56403 3.4kVA ALTERNATOR PARTS

ITEM	PART NO.	Description	QTY.
1	0390302217	Non Drive End Bracket	1
2	0390302536	Rear Bearing	1
3	0391700138	Drive End Bracket	1
4	0391802005	Plastic Cap	1
5	0392000042	Fan	1
6	9910356050	Diode	2
7	9910384005	Varistor	2
8	GECAP18MF	Capacitor, 18 MFZ	1
9	GES15COVER1	Terminal Box Lid	1
10	GES15INTFLANGEA	Interchange Flange	1
11	GES15W102CBOLTS	Cover Stay Bolt	4
12	GES15W102ENCBAND	Enclosing Band	1
13	GES185MM	Securing Stud	1
14	Z77130	Hex Bolt, M6x1.0x14mm	4
15	Z77231	Hex Nut, M6x1.0	4





WALLENSTEIN Products Manufactured by:

EMB MFG Inc.

4144 Boomer Line
St. Clements, Ontario
Canada N0B 2M0
Phone: 1-877-695-9283
Fax: 519-699-4146
www.embmfg.com