



BXT4224 Chipper

S/N 2E9US1116DS040128 - 2E9US1115FS040137

BXT4228su Chipper

S/N 2E9US1115DS040511 - 2E9US1116FS040518

Parts Manual



Foreword

EMB Mfg. has prepared this parts manual to assist customers in ordering quality OEM replacement parts.

Proper and regular service and replacing old, worn or broken parts with the correct OEM parts are essential to prolonging the life of your EMB product. Please refer to this manual before ordering any replacement parts.

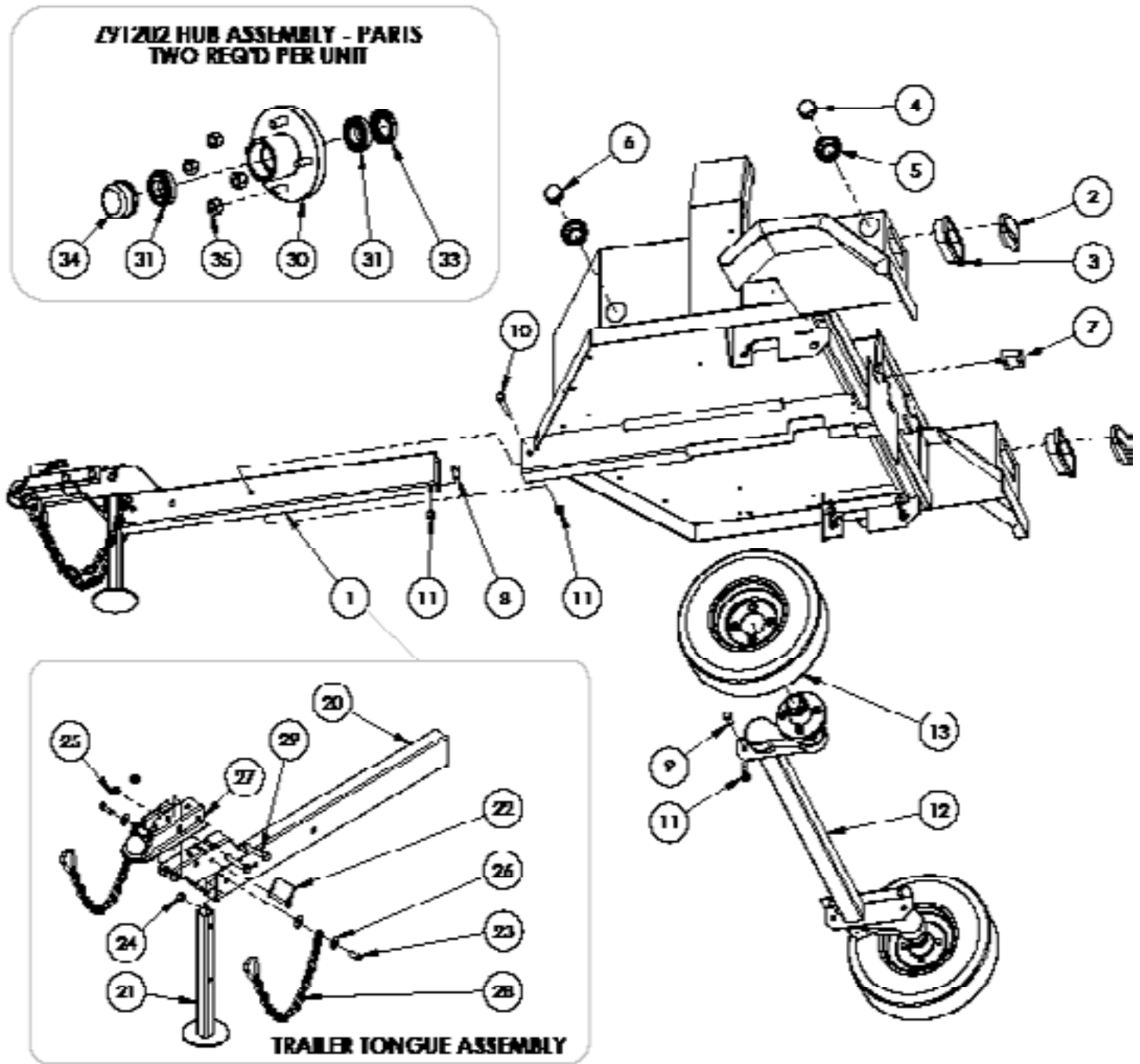
All information contained in this parts manual is based on the latest product specification available at the time of printing this manual. If your product differs from the specifications contained within this manual contact EMB Mfg. for information.

EMB reserves the right to alter specifications on their products at any time.

Reproduction of this parts manual of any kind is prohibited without prior written permission from EMB Mfg.

Table of Contents

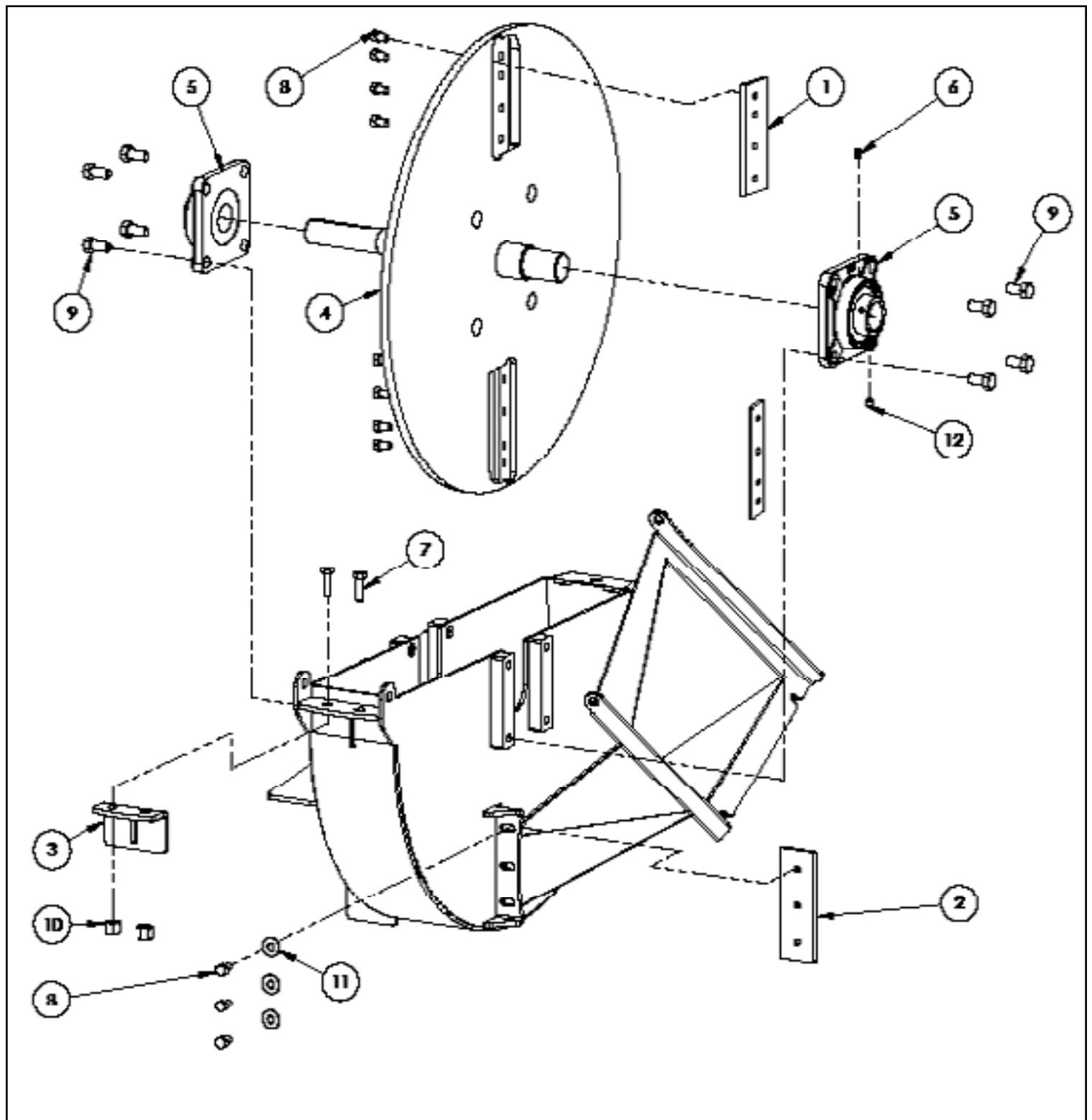
Running Gear	4
Rotor	5
Blower	6
Driveline	7
Main Frame, Guards & Battery	8
Fuel Tank & Fuel Lines	9
Discharge Chute	10
Wiring Diagram	11
Hopper	12
Decals	13



BXT42 RUNNING GEAR PARTS BREAKDOWN

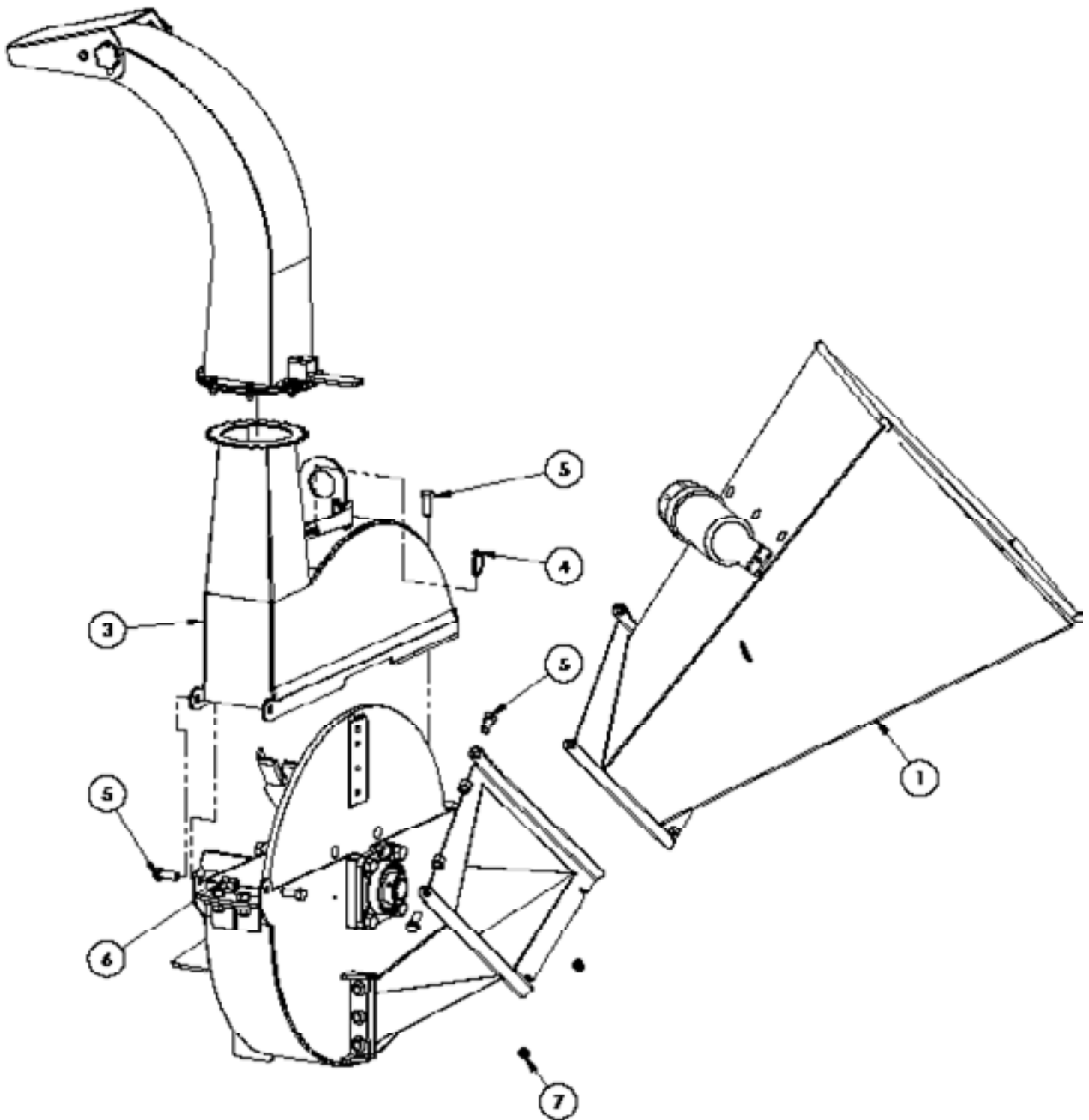
ITEM	PART NO.	DESCRIPTION	QTY
1	1052A101	Assembly, Trailer Tongue	1
2	281103	Oval Washer 2-1/2 x 4-1/2, 6-Hole	5
3	281103	Oval Washer 2-1/2 x 4-7/8	2
4	281201	Round Marker Lamp 2" Red	2
5	281202	Round Marker Lamp 2" Amber	2
6	281205	Round Marker Lamp 2" Amber	2
7	281301	License Lamp	1
8	271510	Hex Bolt 1/2NC x 1	1
9	271512	Hex Bolt 1/2NC x 1-1/4	8
10	271536	Hex Bolt 1/2NC x 3 1/2	1
11	272251	Hex Lock Nut 1/2NC	10
12	291120	Torflex Axle 1000E 32" 22-1/2deg	1
13	291201	4-Bolt Hub Sportsteel	2

ITEM	PART NO.	DESCRIPTION	QTY
20	1052N101	Main Spine	1
21	1052N102	Jack Shank	1
22	272432	Snapper Pin 3/8 x 2-1/2	1
23	271412	Hex Bolt 7/16NC x 1-1/4	2
24	272240	Hex Lock Nut 7/16NC	2
25	272251	Hex Lock Nut 1/2NC	2
26	273240	Wide Flat Washers 7/16	4
27	291314	2" Black Coupler	1
28	292302	Safety Chain 1/4 x 2	2
29	271532	Hex Bolt 1/2NC x 3	2
ITEM	PART NO.	DESCRIPTION	QTY
30	291201	1000E 4-Bolt Hub	1
31	282201	L4448 Cup, L44619 Cup	2
32	292201	Grease Filling, 1/2HP	1
33	282201	Double Lip Seal 1-1/4 Shaft	1
34	291801	Dist Cap 1.38 Base	1
35	272931	Lug Nut 1/2NF	4



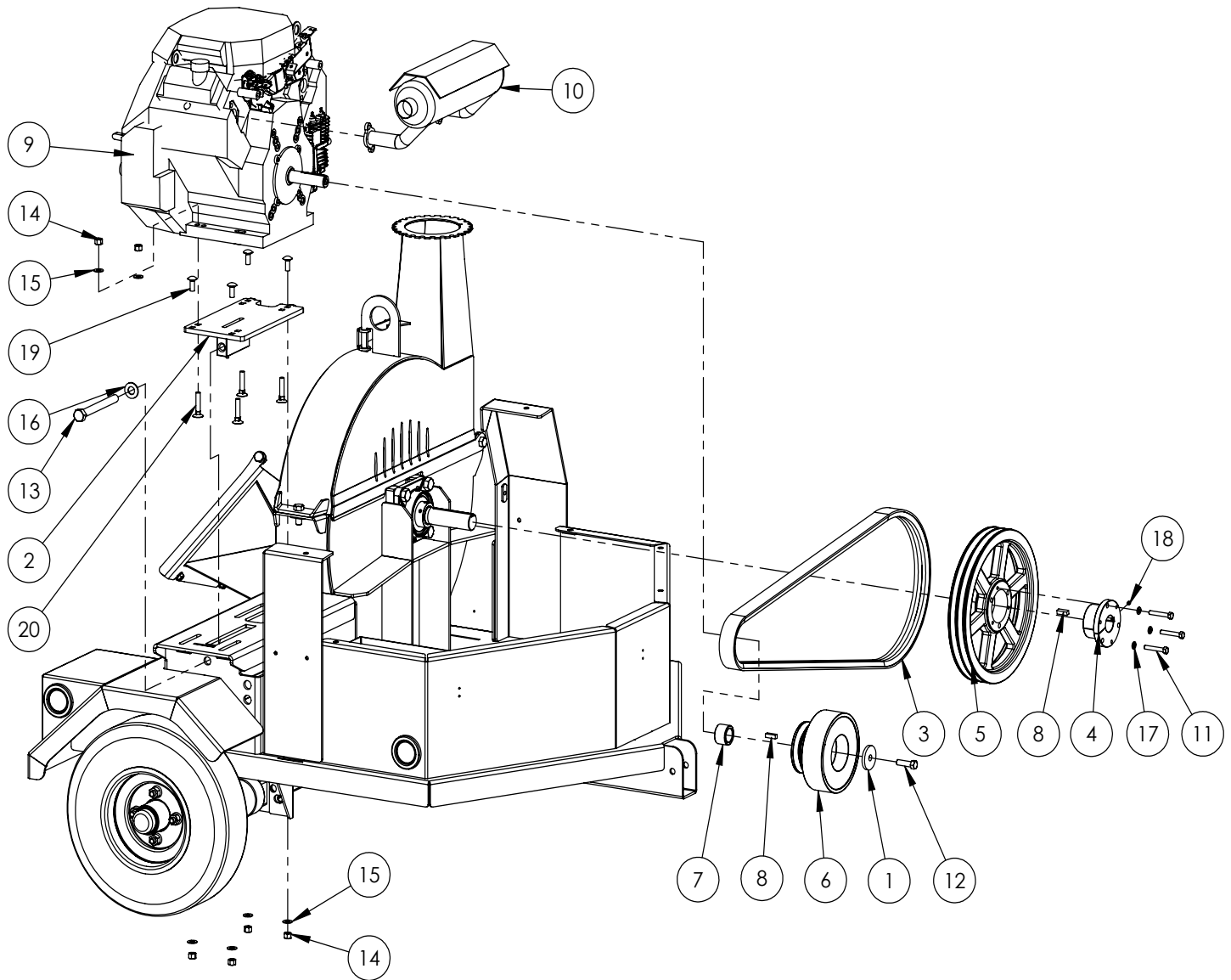
BXT42 ROTOR PARTS BREAKDOWN

ITEM	PART NO.	DESCRIPTION	QTY
1	1D11M103	Knife, 4" Rotor	2
2	1D11M104	Knife, 4" Ledger	1
3	1D11W104	Twig Breaker	1
4	1D52W293	Rotor	1
5	Z5204	4-Ball Bearing 1-1/2" Bore	2
6	Z6202	Grease Zerk 1/4NF	2
7	Z71512	Hex Bolt 1/2NC x 1-1/4	2
8	Z7137203	Hex Bolt, 3/4NF x 5/8 CB	11
9	Z7137203	Hex Bolt 3/4NF x 1 3/4 CB	8
10	Z7251	Hex Lock Nut 1/2NC	2
11	Z73280	Wide Flat Washer 3/8	3
12	Z74122	Set Screw, 5/16NF	4



BXT42 BLOWER PARTS BREAKDOWN

ITEM	PART NO.	DESCRIPTION	QTY
1	1011A192	Blow Hood Hopper	1
2	1182W292	Housing, Upper Drive	1
4	212110	Latch Pin 3/16	1
5	271512	Hex Bolt 1/2NC x 1-1/4	5
6	272231	Hex Lock Nut 1/2NC	4
7	272531	Flange Nut 3/8NC	2
8	272230	Wide Flat Washer 3/8	3

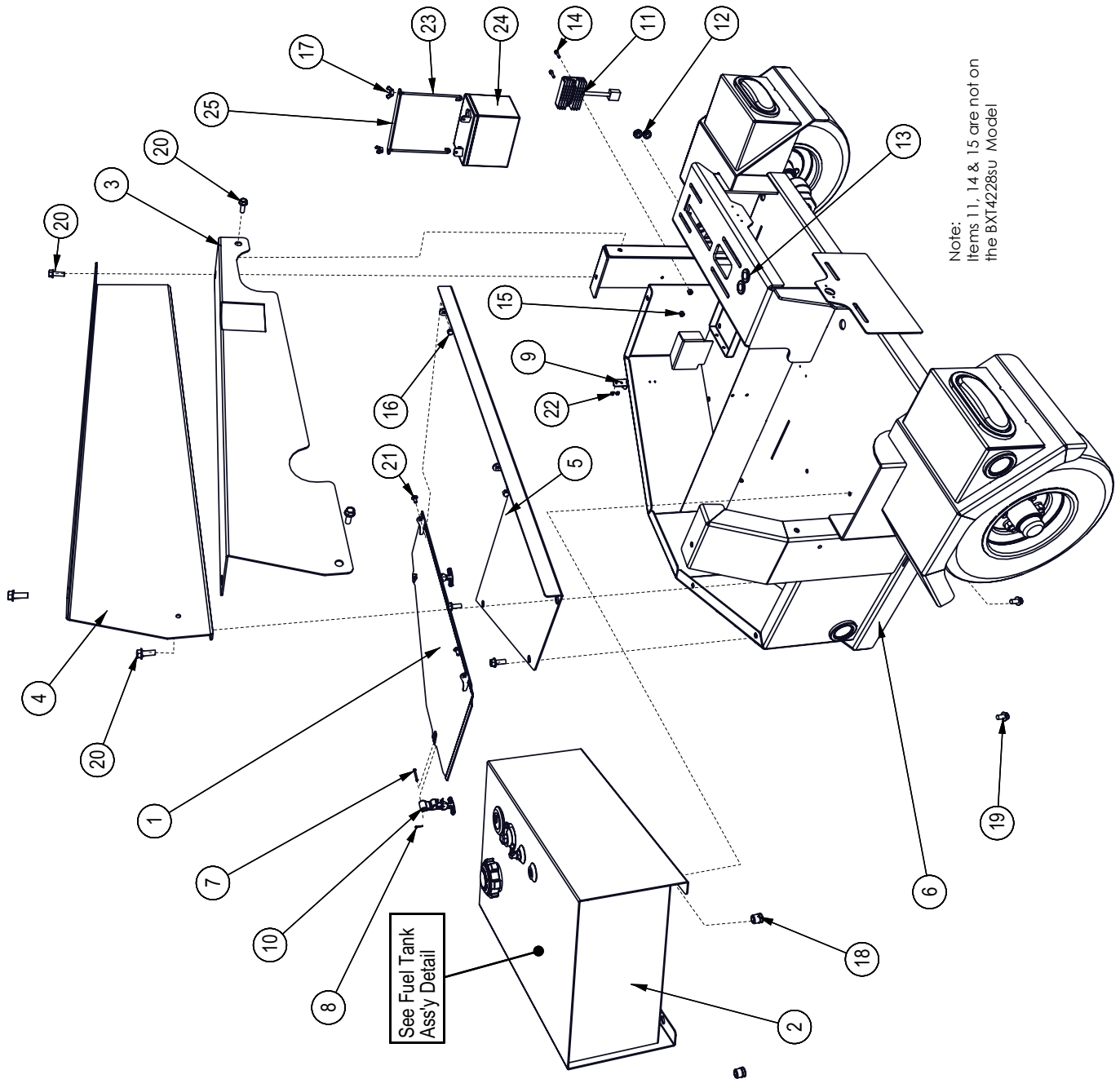


BXT42 DRIVELINE PARTS BREAKDOWN

ITEM	PART NO.	DESCRIPTION	QTY
1	1052L917	Washer, Clutch Trap	1
2	1052W104	Engine Adjustment Plate	1
3	Z41259	Belt, Double "B" x 77"	1
4	Z41501	SK Bushing, 1-3/8 Bore	1
5	Z41702	Double "B" Sheave, 12.75" Pitch	1
6	Z41902	Clutch 1-1/8 Bore x Dbl"B" 3.9P	1
7	Z46353	Spacer 1-1/8ID x 1.065	1
8	Z46542	Key 5/16 x 5/16 x 1	2
9	Z47168	GX690 Honda 24hp Engine - BXT4224	1
	Z47709	Subaru EH722DSF010, Electric Engine - BXT4228su	1
10	Z47169	GX630-690 Muffler	1
11	Z71220	Hex Bolt 5/16NC x 2	3
12	Z71472	Hex Bolt 7/16NF x 1-1/2	1
13	Z71660	Hex Bolt 5/8NC x 6	1
14	Z72231	Hex Lock Nut 3/8NC	8
15	Z73130	Flat Washer 3/8	8
16	Z73160	Flat Washer 5/8	1
17	Z73320	Lock Washer 5/16	3
18	Z74110	Set Screw 1/4NC	1
19	Z76231	Carriage Bolt 3/8NC x 1	4
20	Z76632	Plow Bolt 3/8NC x 2	4

BXT42 MAIN FRAME, GUARDS & BATTERY PARTS BREAKDOWN

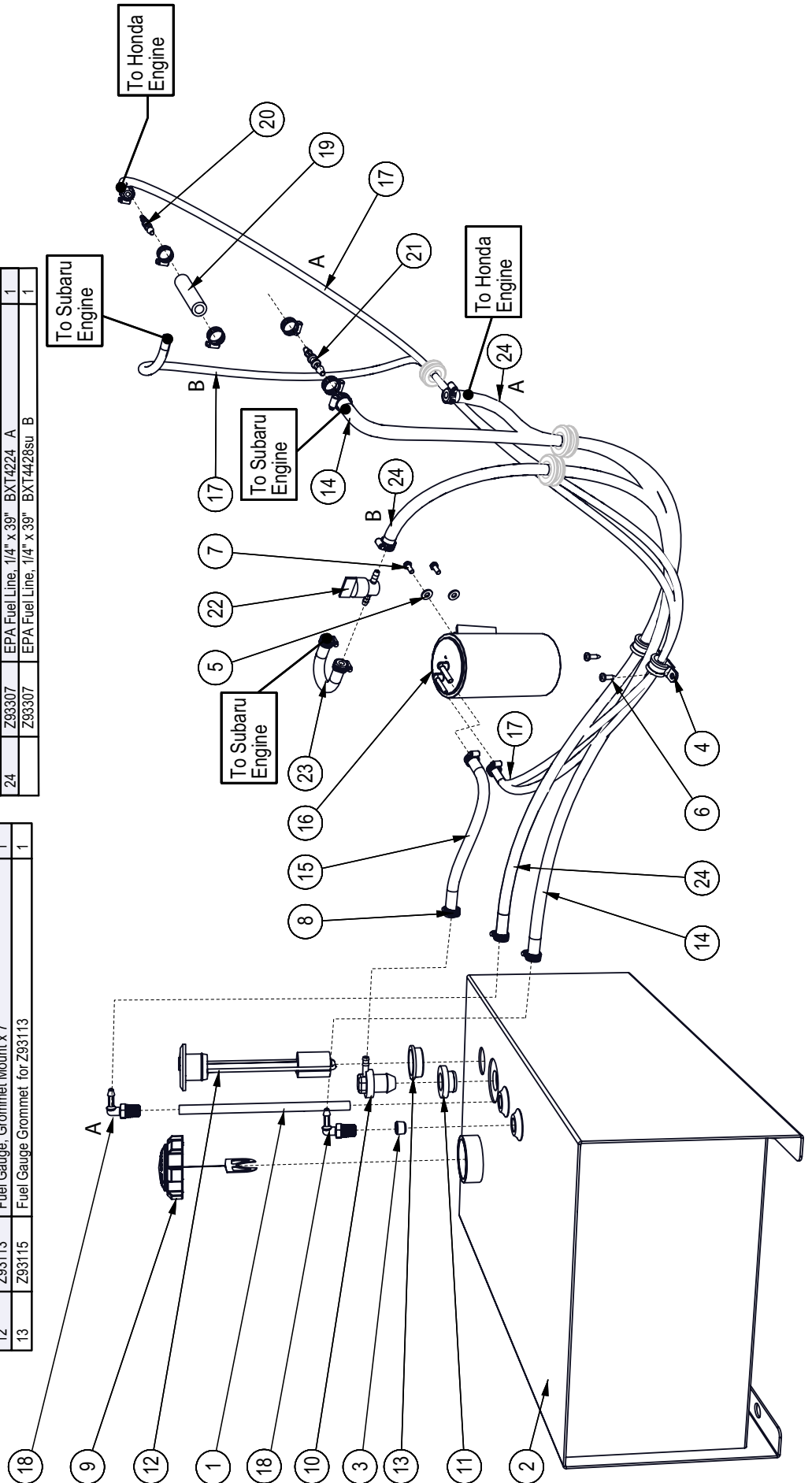
BOM ID	Part No.	Description	Qty
1	1052A104	Toolbox Lid	1
2	1052A501	Fuel Tank, Trailer Chippers EPA	1
3	1052L122	Rear Belt Guard	1
4	1052L125	Front Belt Guard	1
5	1052W106	Weldment, Bay Cover	1
6	1052W502	Main Frame	1
7	Z11300	Clevis Pin 3/16 x 1-3/8	2
8	Z12300	Cotter Pin 3/32 X 3/4	2
9	Z18201-2	Hood Fastener, Top Bracket	2
10	Z18201-3	Hood Fastener, Latch Strap	2
11	Z47901	Regulator Rectifier	1
12	Z62808	Rubber Grommet, 7/16" x 1/4"	2
13	Z62822	Rubber Grommet, 3/4" x 1/4"	3
14	Z71112	Hex Bolt, 1/4NC x 1-1/4"	2
15	Z72211	Hex Lock Nut, 1/4NC	2
16	Z72914	Acorn Nut, 5/16NC	2
17	Z72921	Wing Nut, 1/4NC	2
18	Z72959	Rivet Nut, 3/8NC x 150	4
19	Z76133	Flange Bolt, 3/8NC x 3/4"	4
20	Z76134	Flange Bolt, 3/8NC x 1"	8
21	Z76221	Carriage Bolt, 5/16NC x 3/4"	2
22	Z76711	Self-Flapping Screw, #10 x 1/2"	4
23	Z93202	J-Hook, 1/4" x 7"	2
24	Z93204	Battery, 325CCA	1
25	Z93207	Hold-Down Strap, 1" x 8-1/2"	1



BXT42 1052A501 FUEL TANK ASS'Y & FUEL LINES BREAKDOWN

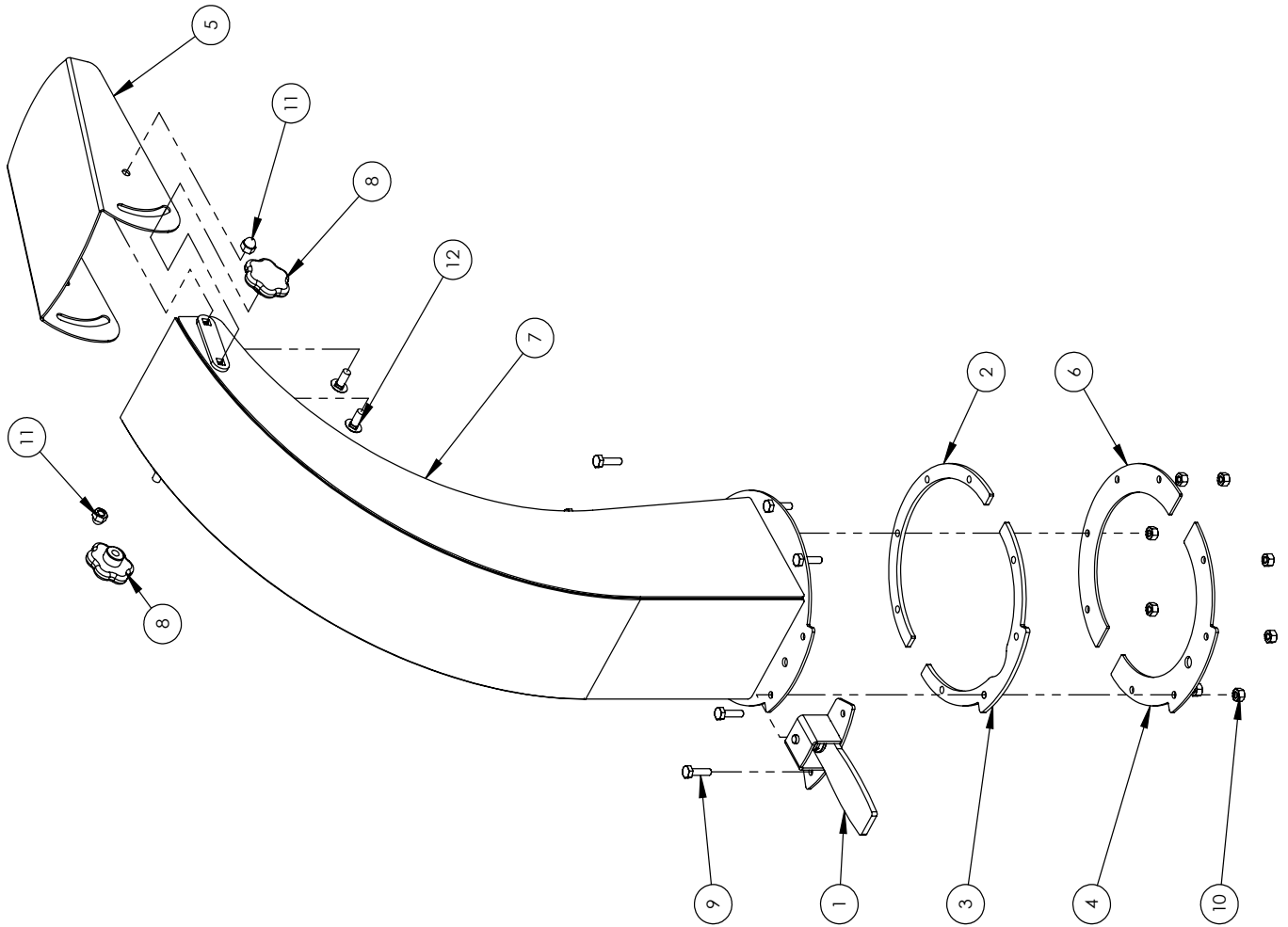
BOM ID	Part No.	Description	Qty
1	1052S501	Fuel Pickup Tube	1
2	1052W501	Fuel Tank, Trailer Chipper	1
3	Z51194	Socket Plug, MP 04	1
4	Z62821	Rubberized Wire Clamp, 5/8"	2
5	Z73111	SAE Washer, 1/4"	2
6	Z76712	Self-tapping Screw, #10 x 3/4"	2
7	Z71730	Hex Bolt, M6x1.0 x 14mm	2
8	Z79405	Hose Clamp, SAE #4 (5/8") BXT4224	8
9	Z79405	Hose Clamp, SAE #4 (5/8") BXT4228su	11
10	Z93108	EPA Ratchet Fuel Cap, Unleaded Fuel x Unvented with Tether	1
11	Z93110	EPA Remote Vent, HB04	1
12	Z93111	Vent Grommet For Z93110	1
13	Z93113	Fuel Gauge, Grommet Mount x 7"	1
14	Z93115	Fuel Gauge Grommet for Z93113	1

BOM ID	Part No.	Description	Qty
14	Z93307	EPA Fuel Line, 1/4" x 47" BXT4228su	1
15	Z93307	EPA Fuel Line, 1/4" x 9"	1
16	Z93309	EPA Carbon Canister, 652cc	1
17	Z93310	EPA Fuel Line, 3/16" x 58" BXT4224 A	1
18	Z93310	EPA Fuel Line, 3/16" x 62" BXT4228su B	1
19	Z93312	Plastic Elbow 90, MP x HB 0404 BXT4224 A	2
20	Z93312	Plastic Elbow 90, MP x HB 0404 BXT4228su	2
21	Z93313	Fuel Line, 3/8" ID x 3" BXT4224 Only	1
22	Z93314	Plastic Reducer, HB x HB 0403	1
23	Z93317	Plastic Coupling, HB x HB 0404 BXT4228su Only	1
24	Z93301	Fuel Shut-Off Valve, 1/4" BXT4228su Only	1
25	Z93307	EPA Fuel Line, 1/4" ID x 4" BXT4228su Only	1
26	Z93307	EPA Fuel Line, 1/4" x 39" BXT4224 A	1
27	Z93307	EPA Fuel Line, 1/4" x 39" BXT4228su B	1



1016A005 DISCHARGE CHUTE PARTS BREAKDOWN

ITEM	PART NO.	DESCRIPTION	QTY
1	1012W208	Assembly, Hood Latch	1
2	1016I027	Plate, Spacer Ring	1
3	1016I029	Plate, Spacer Ring	1
4	1016I030	Plate, Hood Capture	1
5	1016I033	Deflector, Discharge Chute	1
6	1016I034	Plate, Hood Capture	1
7	1016W007	Discharge Chute	1
8	Z19313	Knob, 5/16NC Female Stud	2
9	Z71110	Hex Bolt 1/4NC x 1	8
10	Z72111	Hex Lock Nut 1/4NC	8
11	Z72914	Acorn Nut, 5/16NC	2
12	Z76221	Carriage Bolt 5/16NC x 3/4	4

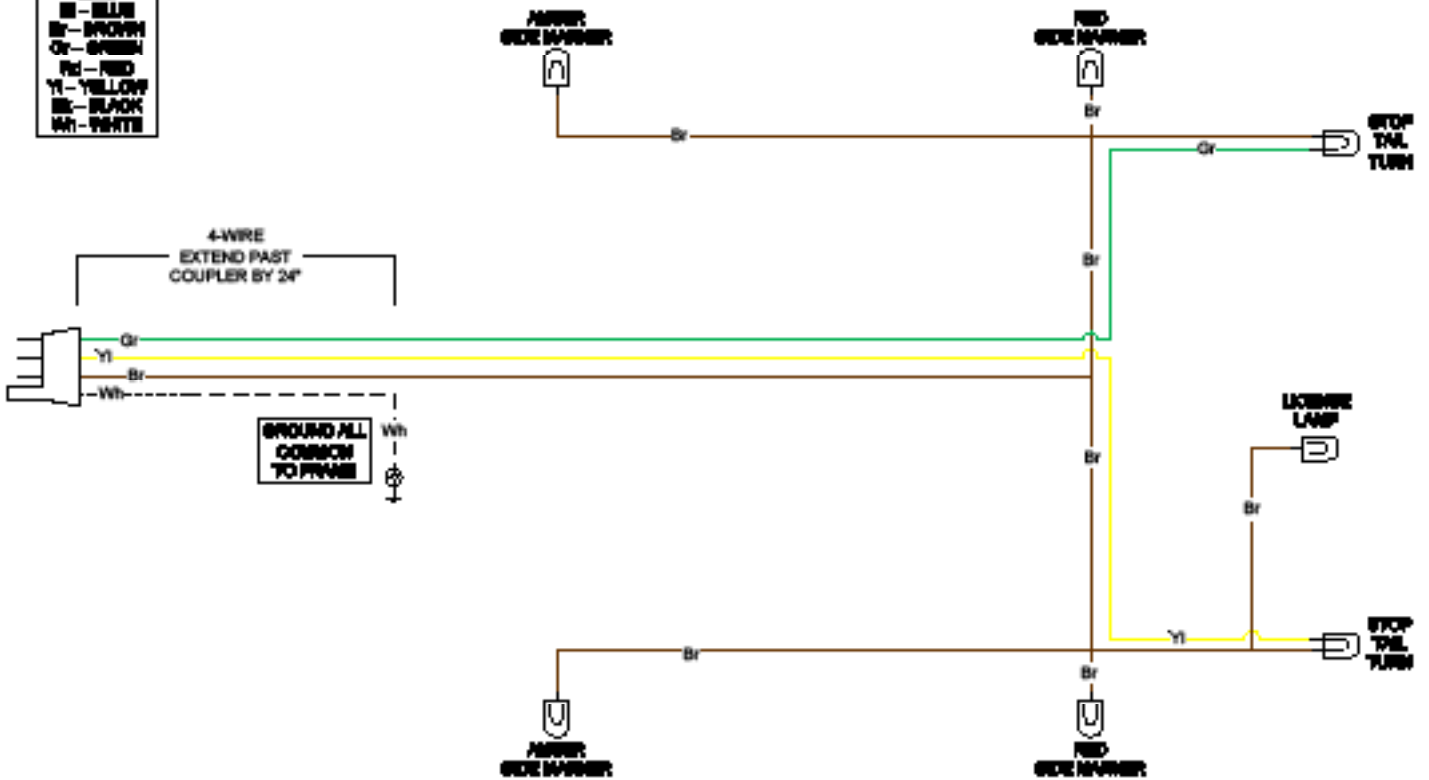


BXT42 WIRING

RIGHT SIDE

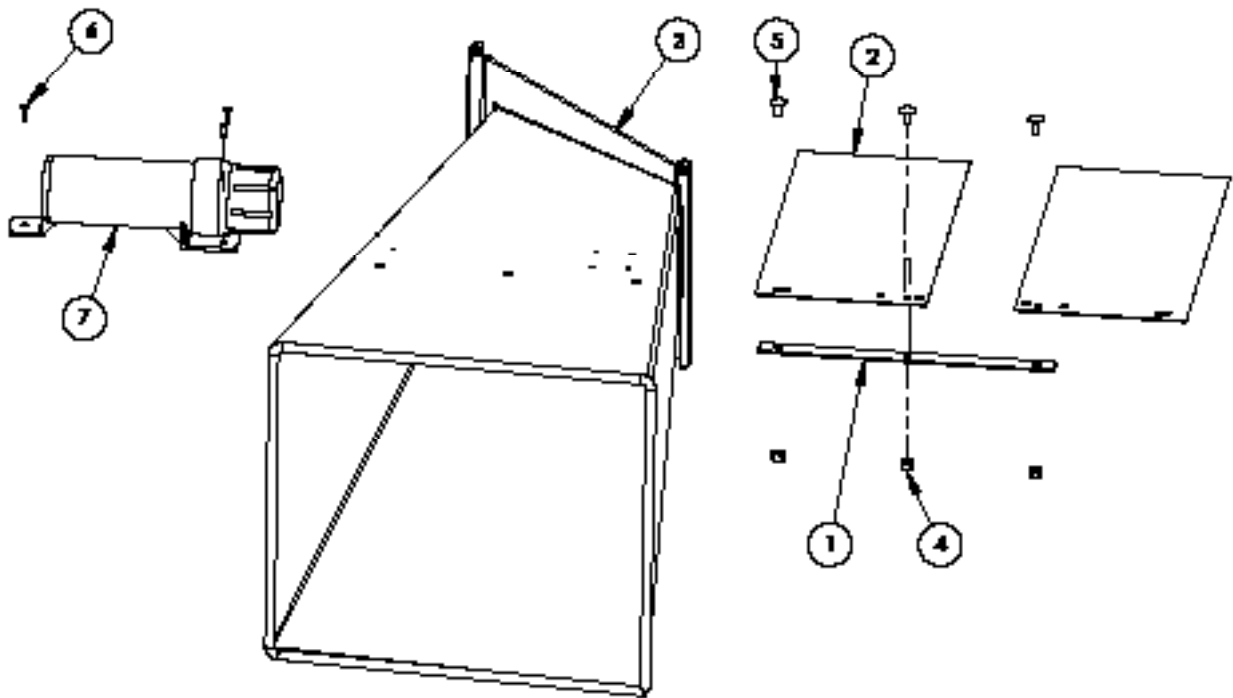
LEFT SIDE

KEY	
Bl	- BLUE
Br	- BROWN
Gr	- GREEN
Rd	- RED
Yl	- YELLOW
Blk	- BLACK
Wh	- WHITE



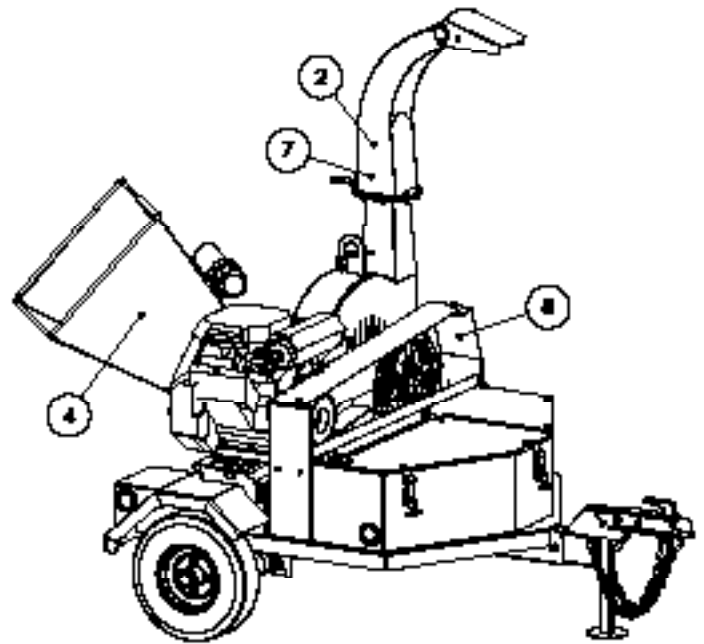
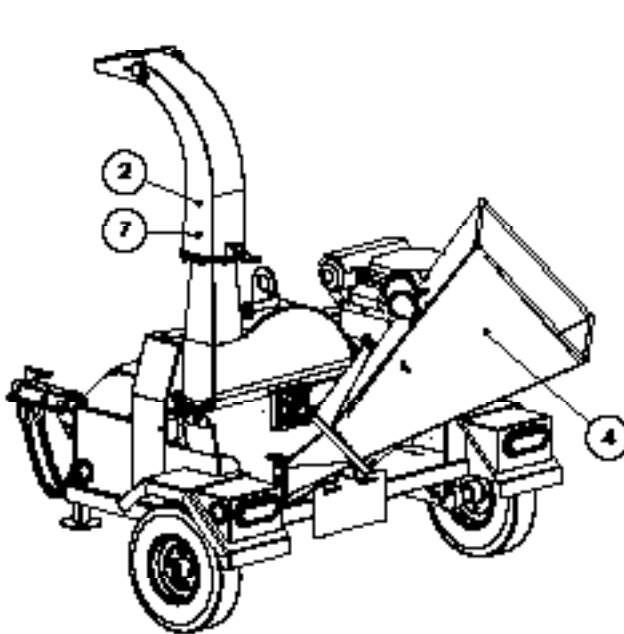
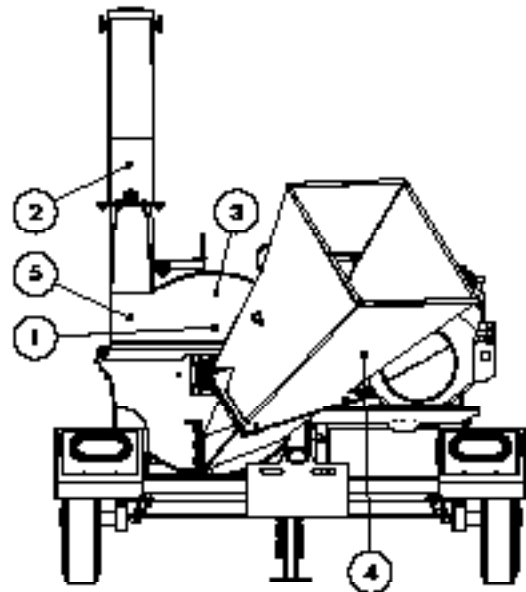
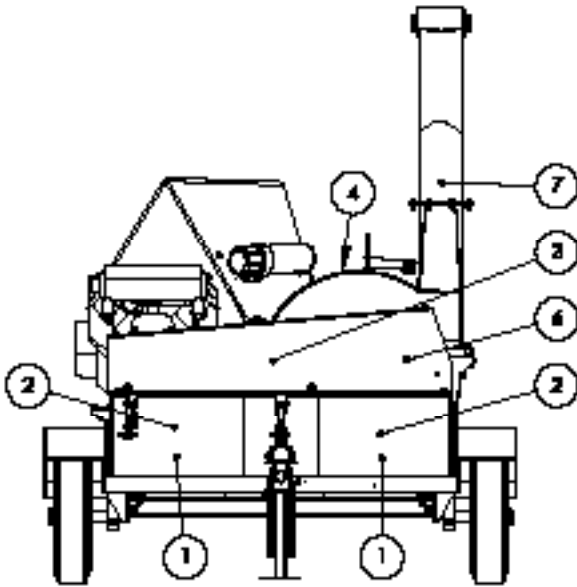
HOPPER PARTS BREAKDOWN

ITEM	PART NO.	DESCRIPTION	QTY
1	1D11L151	Strap, Hopper Flap	1
2	1D11S123	Flap, Hopper	2
3	1D11W107	Weldment, Infeed Hopper	1
4	272231	Hex Lock Nut 3/8NC	3
5	274232	Carriage Bolt 3/8NC x 3/4	3
6	274712	Self-tapping Screw #10	3
7	296503	Manual Tube 3-1/2 Short	1



TWO PANEL BXT4224 DECAL BREAKDOWN

ITEM	PART NO.	DESCRIPTION	QTY
1	Z94054	WALLENSTEIN Decal	3
2	Z94019	1" Dia. Made in Canada	5
3	Z94104	BXT4224 Decal	2
4	Z94120	DANGER - Rotating Blades	4
5	Z94119	CAUTION - Read Manual	1
6	Z94114	WARNING - Rotating Part Hazard	1
7	Z94117	DANGER - Thrown Object Hazard	3
8	Z94127	DANGER - Missing Guard	1
9	Z94143	121 db Noise Level	1
10	Z94144	RH Rotation	1
11	Z94145	LH Rotation	1



Two Panel Decals BXT4224

Z94056



Z94106



Z94019



Z94145



Z94144



Z94119



Z94120



Z94143



Z94127



Z94116

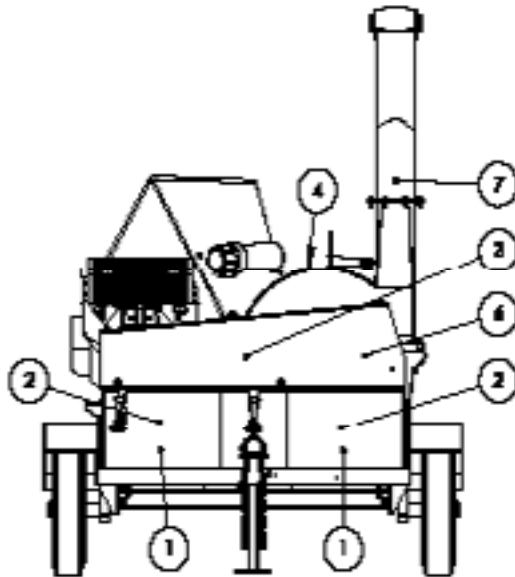


Z94117

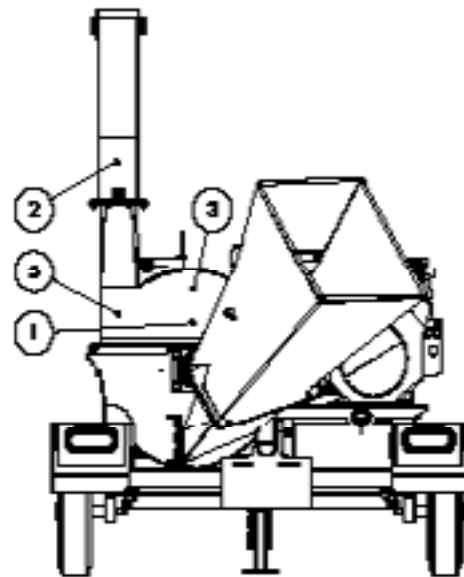


BXT4224 DECAL BREAKDOWN

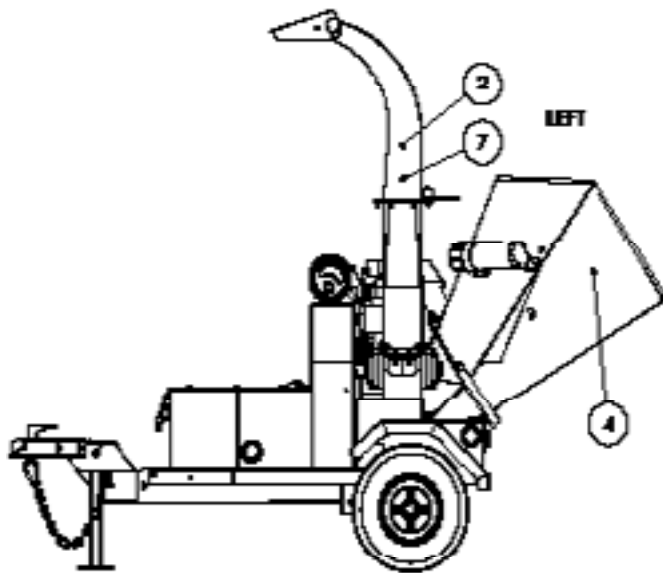
ITEM	PART NO.	DESCRIPTION	QTY
1	294256	WALLENSTEIN Decal	3
2	294219	7" Dia. Made In Canada	5
3	294104	BXT4224 Decal	2
4	294207	DANGER - Rotating Blades	4
5	294206	CAUTION - Read Manual	1
6	294212	WARNING - Rotating Part Hazard	1
7	294208	DANGER - Thrown Object Hazard	3
8	294213	DANGER - Missing Guard Hazard	1



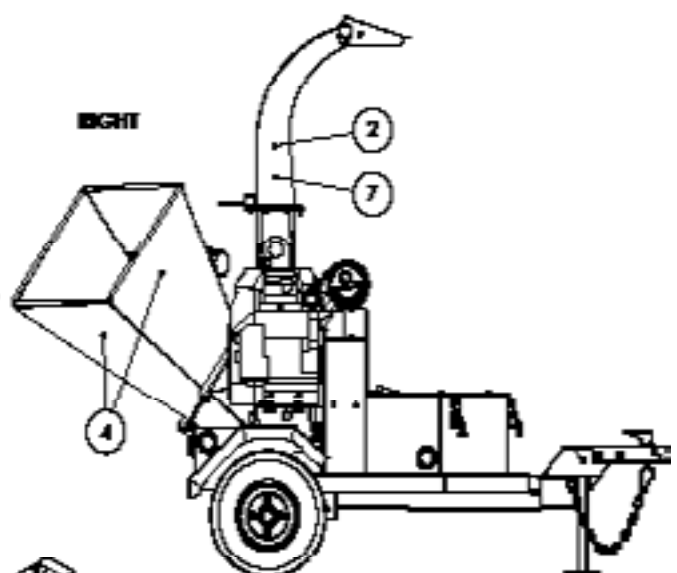
FRONT



BACK



LEFT



RIGHT



Decals BXT4224

Z94056



Z94106



Z94019



Z94006

CAUTION

- Read and understand operator's manual before starting. Review safety instructions carefully.
- Turn machine off, stop and disable engine, remove ignition key and place in your pocket, set park brake and wait for all moving parts to stop before adjusting, servicing, maintaining, repairing or unplugging.
- Keep the working area clean and free of debris to prevent slipping or tripping. Operate only on level ground.
- Close and secure inter cover before operating.
- Close and secure all guards, deflectors and shields before starting and operating.
- Keep hydraulic lines and fittings tight, in good condition and free of leaks.
- Keep hands, feet, hair and clothing away from moving parts. Never wear loose clothing around machinery.
- Keep driveline universal joint angles equal and small as possible.
- Do not point discharge at people, animals or buildings. Never use special wood chips hot enough to cause injury.
- Do not allow children, animals or unauthorized people into working area.
- Do not run machines inside a closed building to prevent asphyxiation from engine exhaust.
- Use care when feeding material into chopper. Do not send metal, bottles, cans, rocks, glass or other foreign material into wood chopper. If foreign material enters chopper, stop the machine, turn engine off and place ignition key in your pocket and wait for all moving parts to stop before removing, raise or and/or unplugging. Inspect and replace for damaged or loose parts before entering to work.
- Always wear PPE (Personal Protective Equipment) such as safety goggles and heavy gloves whenever operating machine.
- Do not place hands or any body parts into feed hopper during operation.
- Do not drive or transport chopper when the motor is running.
- Do not exceed a safe travel speed when transporting. Cross safety chain under hitch or trailer model when attaching to a truck.

Z94006

Z94007

DANGER

ROTATING CUTTING BLADES

Keep hands and feet out of inlet and discharge openings while machine is operating to avoid serious personal injury. Stop engine, remove spark plug wire and allow machine to come to a complete stop before clearing obstructions or making adjustments.

Z94007

Z94013

DANGER

MISSING GUARD HAZARD

- Close and secure all guards and shields before operating.
- Do not operate without guards and shields.

Z94013

Z94012

WARNING

ROTATING PART HAZARD
KEEP AWAY

To prevent serious injury or death from rotating parts:

- Turn machine off, stop and disable engine, remove ignition key and place in your pocket, set park brake and wait for all moving parts to stop before adjusting, servicing, maintaining, repairing or unplugging.
- Close and secure guard before operating.
- Keep hands, feet, hair and clothing away from moving parts.

Z94012

Z94008

DANGER

THROWN OBJECT HAZARD

To prevent serious injury or death from thrown objects:

- Turn machine off, stop and disable engine, remove ignition key and place in your pocket, set park brake and wait for all moving parts to stop before adjusting, servicing, maintaining repairing or unplugging.
- Do not direct discharge duct towards people, animals or property. Always wear appropriate safety gear. Keep hands and feet out of discharge openings.
- Keep others away.

Z94008

This Page is Intentionally Blank



WALLENSTEIN Products Manufactured by:

EMB MFG Inc.
4144 Boomer Line
St. Clements, Ontario
Canada N0B 2M0
Phone: 1-877-695-9283
Fax: 519-699-4146
www.embmfg.com