



# LX5200 Skidsteer Log Grapple Parts Manual

Starting with S/N 652003 to S/N 6520060



# Foreword

EMB Mfg. has prepared this parts manual to assist customers in ordering quality OEM replacement parts.

Proper and regular service and replacing old, worn or broken parts with the correct OEM parts are essential to prolonging the life of your EMB product. Please refer to this manual before ordering any replacement parts.

All information contained in this parts manual is based on the latest product specification available at the time of printing this manual. If your product differs from the specifications contained within this manual contact EMB Mfg. for information.

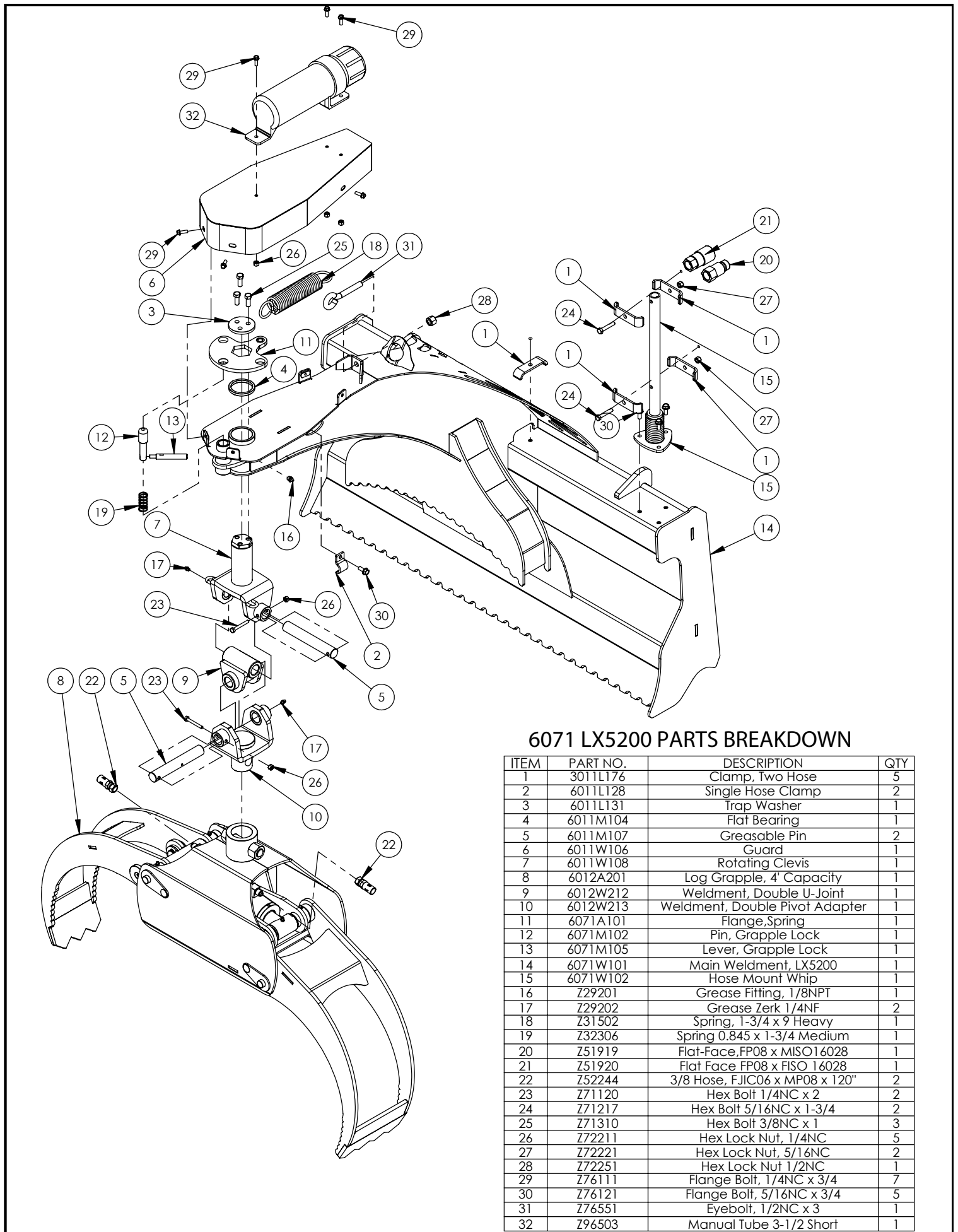
EMB reserves the right to alter specifications on their products at any time.

Reproduction of this parts manual of any kind is prohibited without prior written permission from EMB Mfg.

# Table of Contents

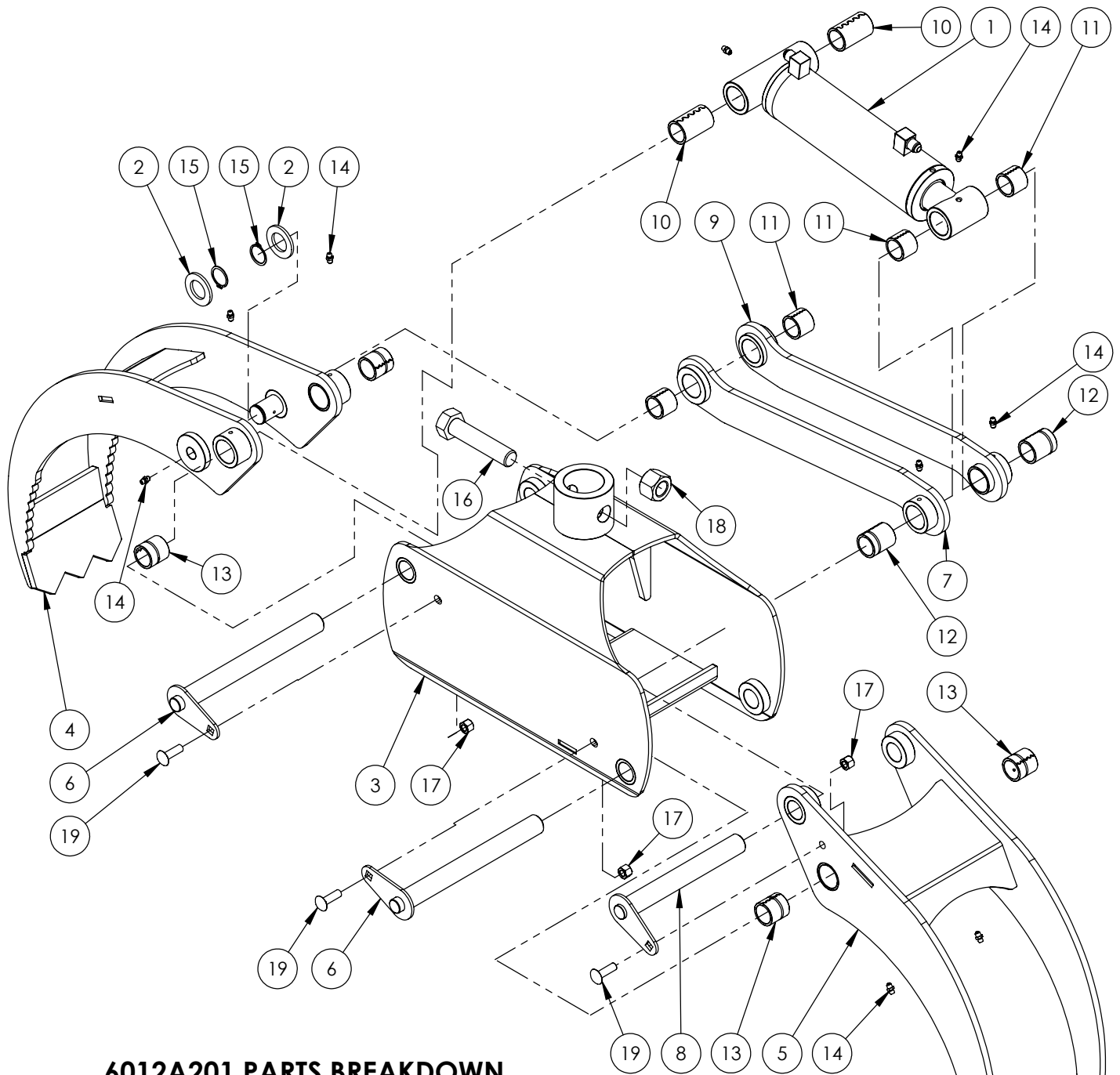
|                 |   |
|-----------------|---|
| Main Parts      | 5 |
| Grapple         | 6 |
| Cylinder        | 7 |
| Decal Breakdown | 8 |

This Page is Intentionally Blank



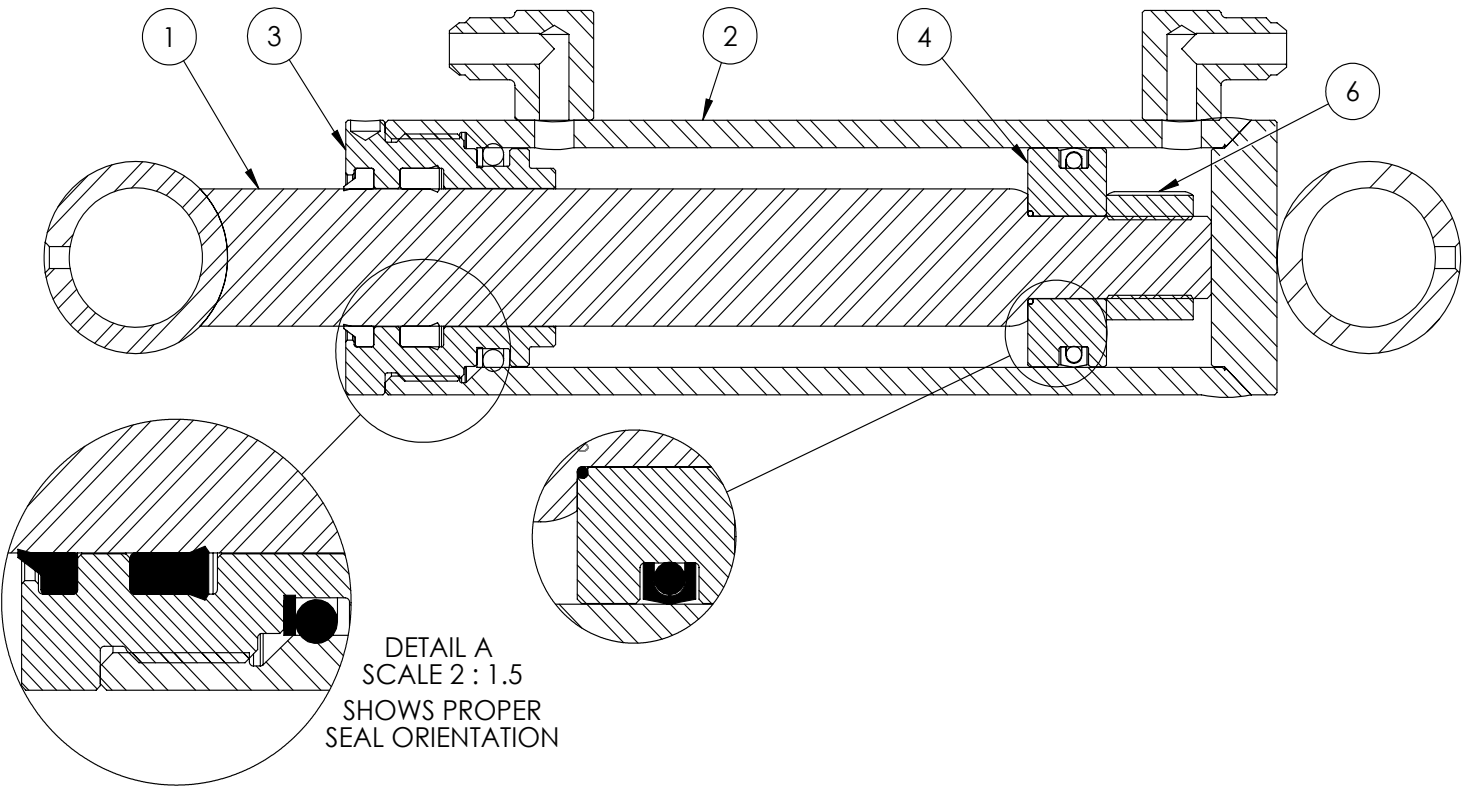
**6071 LX5200 PARTS BREAKDOWN**

| ITEM | PART NO. | DESCRIPTION                    | QTY |
|------|----------|--------------------------------|-----|
| 1    | 3011L176 | Clamp, Two Hose                | 5   |
| 2    | 6011L128 | Single Hose Clamp              | 2   |
| 3    | 6011L131 | Trap Washer                    | 1   |
| 4    | 6011M104 | Flat Bearing                   | 1   |
| 5    | 6011M107 | Greasable Pin                  | 2   |
| 6    | 6011W106 | Guard                          | 1   |
| 7    | 6011W108 | Rotating Clevis                | 1   |
| 8    | 6012A201 | Log Grapple, 4' Capacity       | 1   |
| 9    | 6012W212 | Weldment, Double U-Joint       | 1   |
| 10   | 6012W213 | Weldment, Double Pivot Adapter | 1   |
| 11   | 6071A101 | Flange, Spring                 | 1   |
| 12   | 6071M102 | Pin, Grapple Lock              | 1   |
| 13   | 6071M105 | Lever, Grapple Lock            | 1   |
| 14   | 6071W101 | Main Weldment, LX5200          | 1   |
| 15   | 6071W102 | Hose Mount Whip                | 1   |
| 16   | Z29201   | Grease Fitting, 1/8NPT         | 1   |
| 17   | Z29202   | Grease Zerk 1/4NF              | 2   |
| 18   | Z31502   | Spring, 1-3/4 x 9 Heavy        | 1   |
| 19   | Z32306   | Spring 0.845 x 1-3/4 Medium    | 1   |
| 20   | Z51919   | Flat-Face, FP08 x MISO16028    | 1   |
| 21   | Z51920   | Flat Face FP08 x FISO 16028    | 1   |
| 22   | Z52244   | 3/8 Hose, FJIC06 x MP08 x 120" | 2   |
| 23   | Z71120   | Hex Bolt 1/4NC x 2             | 2   |
| 24   | Z71217   | Hex Bolt 5/16NC x 1-3/4        | 2   |
| 25   | Z71310   | Hex Bolt 3/8NC x 1             | 3   |
| 26   | Z72211   | Hex Lock Nut, 1/4NC            | 5   |
| 27   | Z72221   | Hex Lock Nut, 5/16NC           | 2   |
| 28   | Z72251   | Hex Lock Nut 1/2NC             | 1   |
| 29   | Z76111   | Flange Bolt, 1/4NC x 3/4       | 7   |
| 30   | Z76121   | Flange Bolt, 5/16NC x 3/4      | 5   |
| 31   | Z76551   | Eyebolt, 1/2NC x 3             | 1   |
| 32   | Z96503   | Manual Tube 3-1/2 Short        | 1   |



**6012A201 PARTS BREAKDOWN**

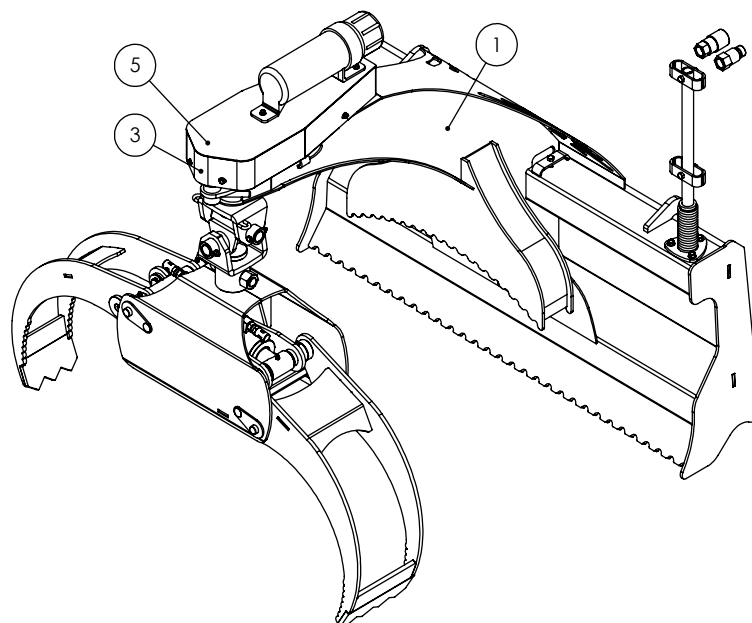
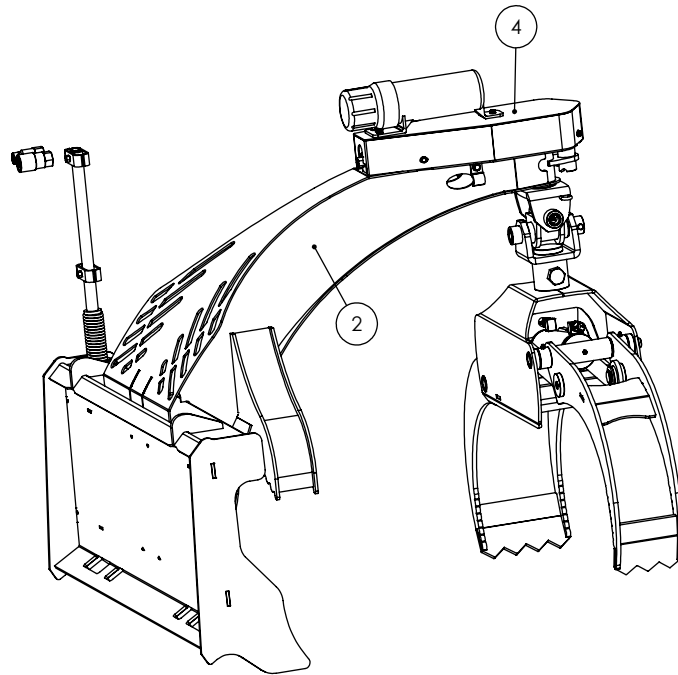
| ITEM | PART NO. | DESCRIPTION                     | QTY |
|------|----------|---------------------------------|-----|
| 1    | 6012C205 | Cylinder, 2-1/2 x 6             | 1   |
| 2    | 6012L118 | Washer, Linkage                 | 2   |
| 3    | 6012W200 | LX480 Main Grapple Frame        | 1   |
| 4    | 6012W201 | Narrow (Inside) Fork            | 1   |
| 5    | 6012W202 | Wide (Outside) Fork             | 1   |
| 6    | 6012W203 | 1" Flange Pin                   | 2   |
| 7    | 6012W204 | Linkage Bar                     | 1   |
| 8    | 6012W205 | 1" Hex Head Pin                 | 1   |
| 9    | 6012W207 | Linkage Bar                     | 1   |
| 10   | Z77222   | Connex Bushing 1 x 2            | 2   |
| 11   | Z77223   | Connex Bushing 1 x 1            | 4   |
| 12   | Z77226   | Connex Bushing 1 x 1-1/2 x 3/8  | 2   |
| 13   | Z77227   | Connex Bushing, 1 x 1-1/4 x 1/2 | 4   |
| 14   | Z29202   | Grease Zerk 1/4NF               | 10  |
| 15   | Z46204   | External Retaining Ring, 1"     | 2   |
| 16   | Z71872   | Hex Bolt, 7/8NC x 4             | 1   |
| 17   | Z72231   | Hex Lock Nut 3/8NC              | 3   |
| 18   | Z72281   | Hex Lock Nut 7/8NC              | 1   |
| 19   | Z76232   | Carriage Bolt 3/8NC x 1-1/4     | 3   |



| ITEM | 6012C205   | Description                | QTY. |
|------|------------|----------------------------|------|
| 1    | 6012C2053  | Rod                        | 1    |
| 2    | 6012C2054  | Barrel, 2" / 2-1/2" Bore   | 1    |
| 3    | G250-150S  | Rod Gland                  | 1    |
| 4    | P100-250SP | 2" / 2-1/2" Bore Piston    | 1    |
| 5    | SLK-2515   | Seal Kit                   | 1    |
| 6    | Z72272G8   | Hex Lock Nut 3/4NF Grade 8 | 1    |

## LOG GRAPPLE DECAL BREAKDOWN

| ITEM | PART NO. | DESCRIPTION          | QTY |
|------|----------|----------------------|-----|
| 1    | Z94155   | LX5200 LH            | 1   |
| 2    | Z94156   | LX5200 RH            | 1   |
| 3    | Z94019   | Made in Canada       | 1   |
| 4    | Z94033   | Boom/ Grapple Hazard | 1   |
| 5    | emb-079  | Read Manual          | 1   |





### LX5200 Decals



Z94155



Z94156

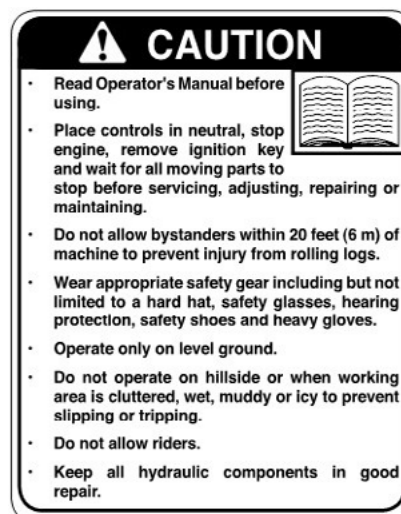
Z94019



Z94033

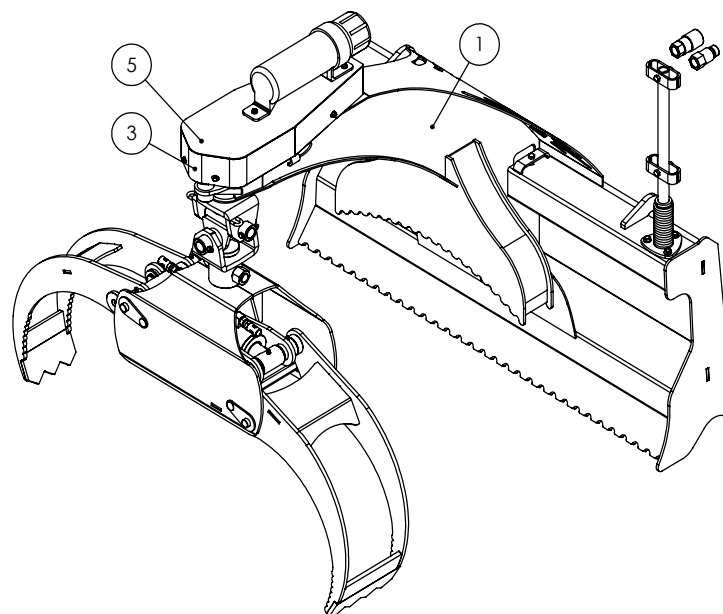
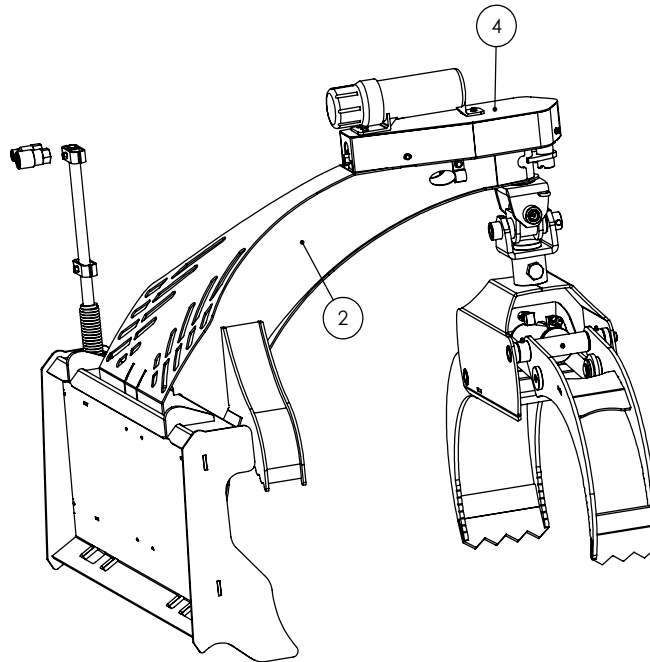


emb-079



## TWO PANEL LOG GRAPPLE DECAL BREAKDOWN

| ITEM | PART NO. | DESCRIPTION          | QTY |
|------|----------|----------------------|-----|
| 1    | Z94155   | LX5200 LH            | 1   |
| 2    | Z94156   | LX5200 RH            | 1   |
| 3    | Z94019   | Made in Canada       | 1   |
| 4    | Z94033   | Boom/ Grapple Hazard | 1   |
| 5    | emb-079  | Read Manual          | 1   |



### Two Panel LX5200 Decals

Z94156



Z94019



Z94155



Z94119



Z94166





**WALLENSTEIN Products Manufactured by:**

**EMB MFG Inc.**

4144 Boomer Line  
St. Clements, Ontario  
Canada N0B 2M0  
Phone: 1-877-695-9283  
Fax: 519-699-4146  
[www.embmfg.com](http://www.embmfg.com)