

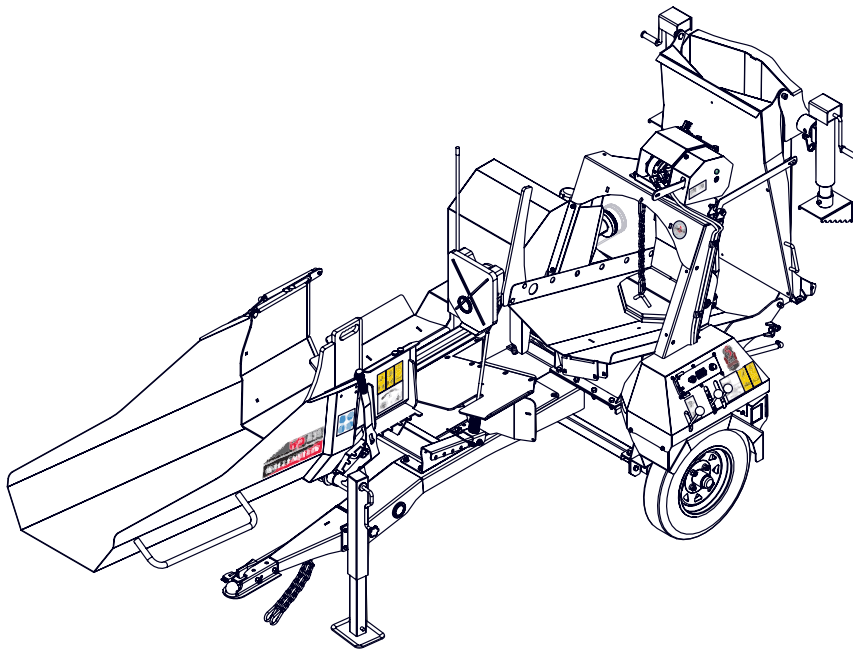


EMB Manufacturing Inc.
4144 Boomer Line · St. Clements, On · N0B 2M0 · Canada
Ph: (519) 699-9283 · Fax: (519) 699-4146
www.embmfg.com

WP835 Wood Processor

Parts Manual

2E9US1119FS062433 & After



Refer to the operators
manual for safe
operation and
maintenance

Table of Contents

Contents

| | |
|---|-----------|
| BOLT TORQUE | 3 |
| HYDRAULIC FITTING TORQUE..... | 4 |
| WHEEL LUG TORQUE | 4 |
| SPLITTER CHUTE ASS'Y..... | 5 |
| LEAD IN CHUTE ASS'Y..... | 6 |
| LOG HOLD DOWN ASS'Y | 7 |
| SPLITTER CRADLE ASS'Y | 8 |
| LOG CHUTE ASS'Y | 9 |
| RUNNING GEAR..... | 10 |
| HUB ASSEMBLY DETAIL | 11 |
| ENGINE & PUMP ASS'Y..... | 12 |
| HYDRAULIC LINES | 13 |
| HYDRAULIC SPLITTER ASS'Y | 14 |
| HYDRAULIC VALVES | 15 |
| HYDRAULIC CYLINDER | 16 |
| HYDRAULIC CYLINDER SEAL KIT #SLK-4525..... | 16 |
| HYDRAULIC WINCH..... | 17 |
| WINCH DRUM DETAIL | 18 |
| WINCH FAIRLEAD DETAIL | 18 |
| CONTROL PANEL LABELS | 22 |
| WIRING HARNESSSES | 23 |
| HYDRAULIC SCHEMATIC..... | 24 |
| ACCESSORIES..... | 25 |

Foreword

EMB Mfg. has prepared this parts manual to assist customers in ordering quality OEM replacement parts.

Proper and regular service and replacing old, worn or broken parts with the correct Wallenstein parts are essential to prolonging the life of your Wallenstein product. Please refer to this manual before ordering any replacement parts.

All information contained in this parts manual is based on the latest product specification available at the time of printing this manual. If your product differs from the specifications contained within this manual contact EMB Mfg. for information.

EMB reserves the right to alter specifications on their products at any time.

Reproduction of this parts manual of any kind is prohibited without prior written permission from EMB Mfg.



Refer to the operators manual for safe operation and maintainance

For parts and information please contact your dealer. If your dealer is no longer available please go to our website: <http://www.embmfg.com> and click on "FIND A DEALER NEAR YOU" for information on a local dealer.

Bolt Torque

CHECKING BOLT TORQUE

The tables shown below give correct torque values for various bolts and capscrews. Tighten all bolts to the torques specified in chart unless otherwise noted. Check tightness of bolts periodically, using bolt torque chart as a guide. Replace hardware with the same strength bolt.

Torque figures indicated above are valid for non-greased or non-oiled threads and heads unless otherwise specified. Therefore, do not grease or oil bolts or capscrews unless otherwise specified in this manual. When using locking elements, increase torque values by 5%.

* Torque value for bolts and capscrews are identified by their head markings.

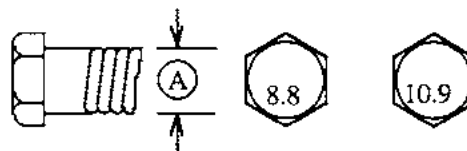
ENGLISH TORQUE SPECIFICATIONS

| Bolt Diameter "A" | Bolt Torque* | | | | | |
|-------------------|------------------------|-----|------------------------|-----|------------------------|-----|
| | SAE 2 (N.m) (lb-ft) | | SAE 5 (N.m) (lb-ft) | | SAE 8 (N.m) (lb-ft) | |
| 1/4" | 8 | 6 | 12 | 9 | 17 | 12 |
| 5/16" | 13 | 10 | 25 | 19 | 36 | 27 |
| 3/8" | 27 | 20 | 45 | 33 | 63 | 45 |
| 7/16" | 41 | 30 | 72 | 53 | 100 | 75 |
| 1/2" | 61 | 45 | 110 | 80 | 155 | 115 |
| 9/16" | 95 | 60 | 155 | 115 | 220 | 165 |
| 5/8" | 128 | 95 | 215 | 160 | 305 | 220 |
| 3/4" | 225 | 165 | 390 | 290 | 540 | 400 |
| 7/8" | 230 | 170 | 570 | 420 | 880 | 650 |
| 1" | 345 | 225 | 850 | 630 | 1320 | 970 |



METRIC TORQUE SPECIFICATIONS

| Bolt Diameter "A" | Bolt Torque* | | | |
|-------------------|----------------------|------|-----------------------|------|
| | 8.8 (N.m) (lb-ft) | | 10.9 (N.m) (lb-ft) | |
| M3 | .5 | .4 | 1.8 | 1.3 |
| M4 | 3 | 2.2 | 4.5 | 3.3 |
| M5 | 6 | 4 | 9 | 7 |
| M6 | 10 | 7 | 15 | 11 |
| M8 | 25 | 18 | 35 | 26 |
| M10 | 50 | 37 | 70 | 52 |
| M12 | 90 | 66 | 125 | 92 |
| M14 | 140 | 103 | 200 | 148 |
| M16 | 225 | 166 | 310 | 229 |
| M20 | 435 | 321 | 610 | 450 |
| M24 | 750 | 553 | 1050 | 774 |
| M30 | 1495 | 1103 | 2100 | 1550 |
| M36 | 2600 | 1917 | 3675 | 2710 |



Hydraulic Fitting Torque

Tightening Flare Type Tube Fittings *

1. Check flare and flare seat for defects that might cause leakage.
2. Align tube with fitting before tightening.
3. Lubricate connection and hand tighten swivel nut until snug.
4. To prevent twisting the tube(s), use two wrenches. Place one wrench on the connector body and with the second tighten the swivel nut to the torque shown.

| Tube Size OD | Nut Size Across Flats | Torque Value* | | Recommended Turns To Tighten (After Finger Tightening) | |
|--------------|-----------------------|---------------|-----------|--|------------|
| | | (N.m) | (lb-ft) | (Flats) | (Turn) |
| 3/16 | 7/16 | 8 | 6 | 1 | 1/6 |
| 1/4 | 9/16 | 12 | 9 | 1 | 1/6 |
| 5/16 | 5/8 | 16 | 12 | 1 | 1/6 |
| 3/8 | 11/16 | 24 | 18 | 1 | 1/6 |
| 1/2 | 7/8 | 46 | 34 | 1 | 1/6 |
| 5/8 | 1 | 62 | 46 | 1 | 1/6 |
| 3/4 | 1-1/4 | 102 | 75 | 3/4 | 1/8 |
| 7/8 | 1-3/8 | 122 | 90 | 3/4 | 1/8 |

The torque values shown are based on lubricated connections as in reassembly.

Wheel Lug Torque

It is extremely important safety procedure to apply and maintain proper wheel mounting torque on your trailer axle. Torque wrenches are the best method to assure the proper amount of torque is being applied to a fastener.

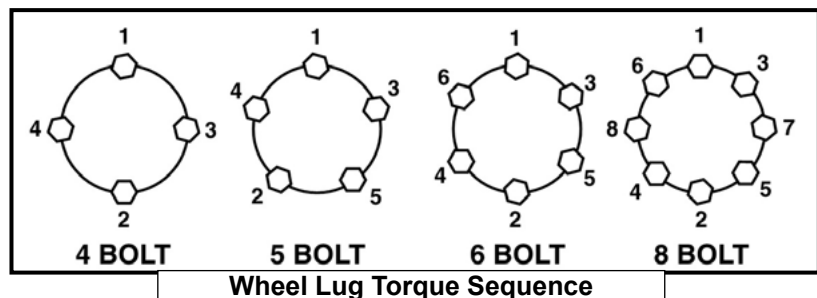
Wheel lugs should be torqued before first road use and after each wheel removal. Check and re torque after the first 16Km (10 miles), 40Km (25 miles), and again at 80Km (50 miles). Check periodically thereafter.

Note: Wheel lugs must be applied and maintained at the proper torque levels to prevent loose wheels, broken studs, and possible dangerous separation of wheels from your axle.

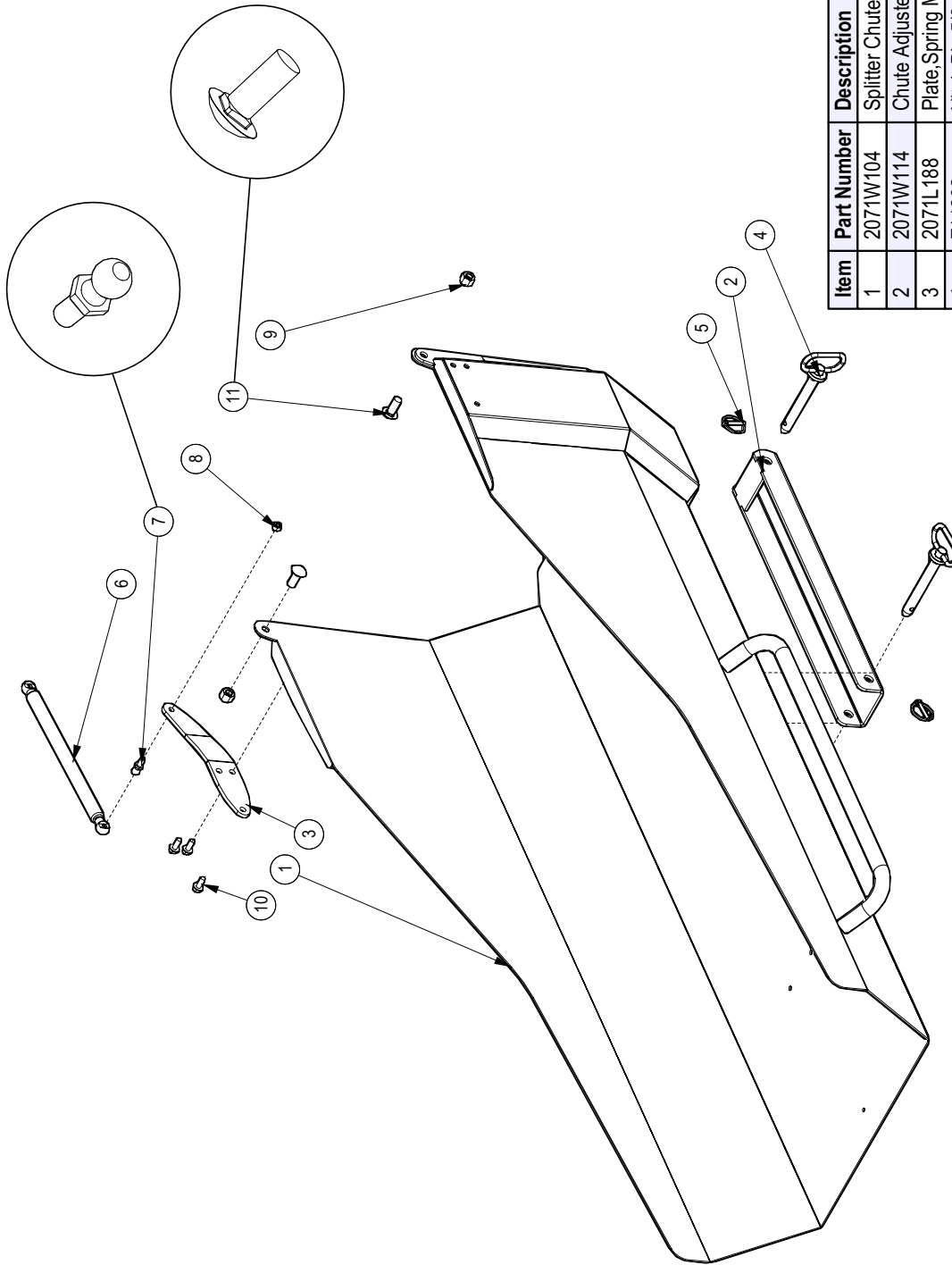
- Start all lugs by hand to prevent cross threading.
- Tighten lugs in sequence, per wheel lug torque sequence chart.
- The tightening of the fasteners should be done in stages. Following the recommended sequence, tighten fasteners per wheel torque requirements chart.

Wheel Torque Requirements

| Wheel Size | Torque Unit | 1st Stage | 2nd Stage | 3rd Stage |
|------------|-------------|-----------|-----------|-------------|
| 8" | ft-lbs | 12 - 20 | 30 - 35 | 45 - 55 |
| | Nm | 16 - 26 | 39 - 45.5 | 58.5 - 71.5 |
| 12" | ft-lbs | 20 - 25 | 35 - 40 | 50 - 60 |
| | Nm | 26 - 32.5 | 45.5 - 52 | 65 - 78 |
| 13" | ft-lbs | 20 - 25 | 35 - 40 | 50 - 60 |
| | Nm | 26 - 32.5 | 45.5 - 52 | 65 - 78 |
| 14" | ft-lbs | 20 - 25 | 50 - 60 | 90 - 120 |
| | Nm | 26 - 32.5 | 65 - 78 | 117 - 156 |
| 15" | ft-lbs | 20 - 25 | 50 - 60 | 90 - 120 |
| | Nm | 26 - 32.5 | 65 - 78 | 117 - 156 |
| 16" | ft-lbs | 20 - 25 | 50 - 60 | 90 - 120 |
| | Nm | 26 - 32.5 | 65 - 78 | 117 - 156 |



Splitter Chute Ass'y

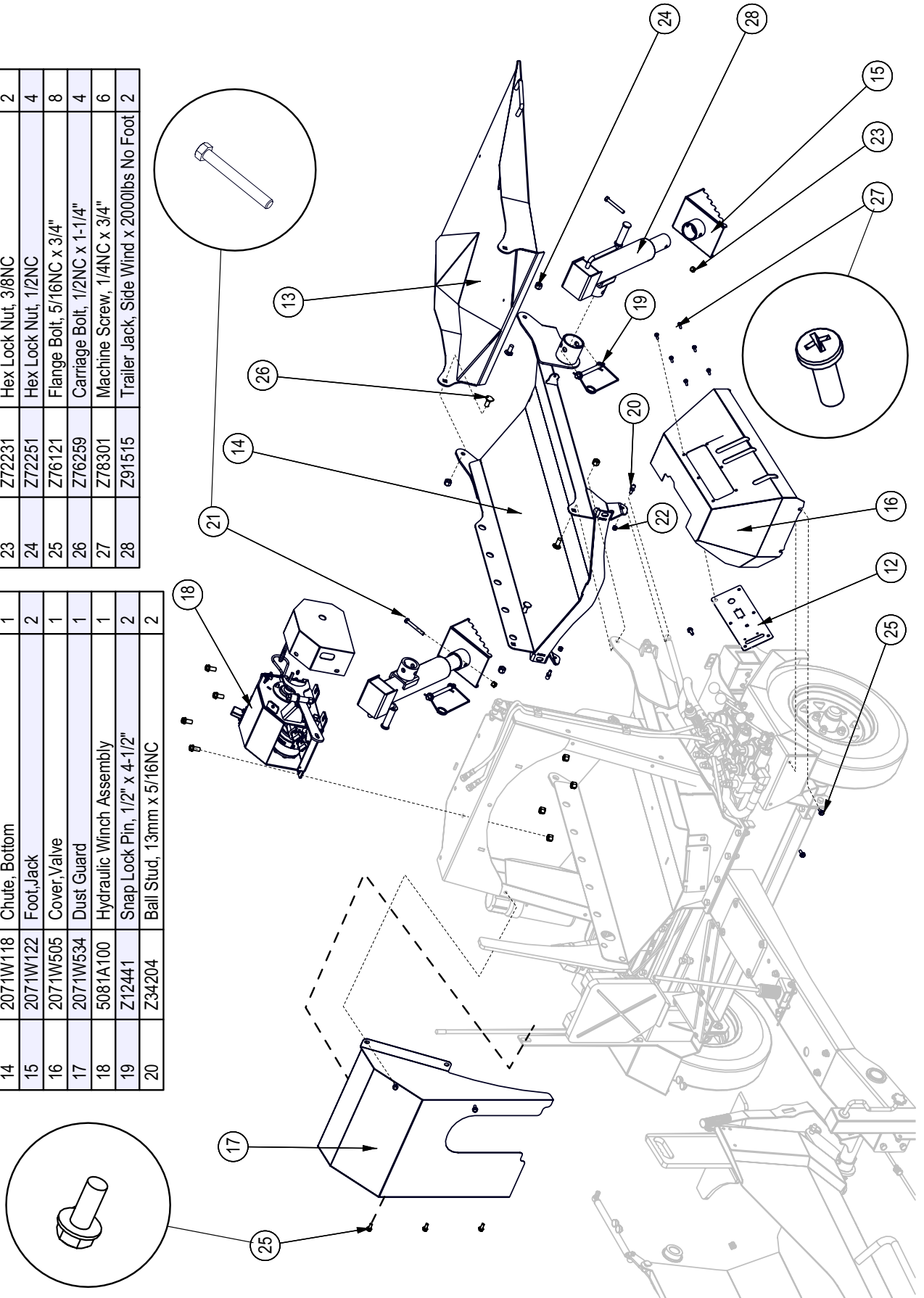


| Item | Part Number | Description | Qty |
|------|-------------|--------------------------------|-----|
| 1 | 2071W104 | Splitter Chute | 1 |
| 2 | 2071W114 | Chute Adjuster | 1 |
| 3 | 2071L188 | Plate, Spring Mount | 1 |
| 4 | Z11232 | Hitch Pin 5/8 x 4-1/4 | 2 |
| 5 | Z12110 | Latch Pin 3/16 | 2 |
| 6 | Z34203 | Gas Spring, 10mm x 8.44 Stroke | 1 |
| 7 | Z34204 | Ball Stud 13mm x 5/16 | 1 |
| 8 | Z72221 | Hex Lock Nut, 5/16NC | 1 |
| 9 | Z72251 | Hex Lock Nut, 1/2NC | 2 |
| 10 | Z76121 | Flange Bolt, 5/16NC x 3/4 | 3 |
| 11 | Z76259 | Carriage Bolt, 1/2NC x 1-1/4 | 2 |

Lead In Chute Ass'y

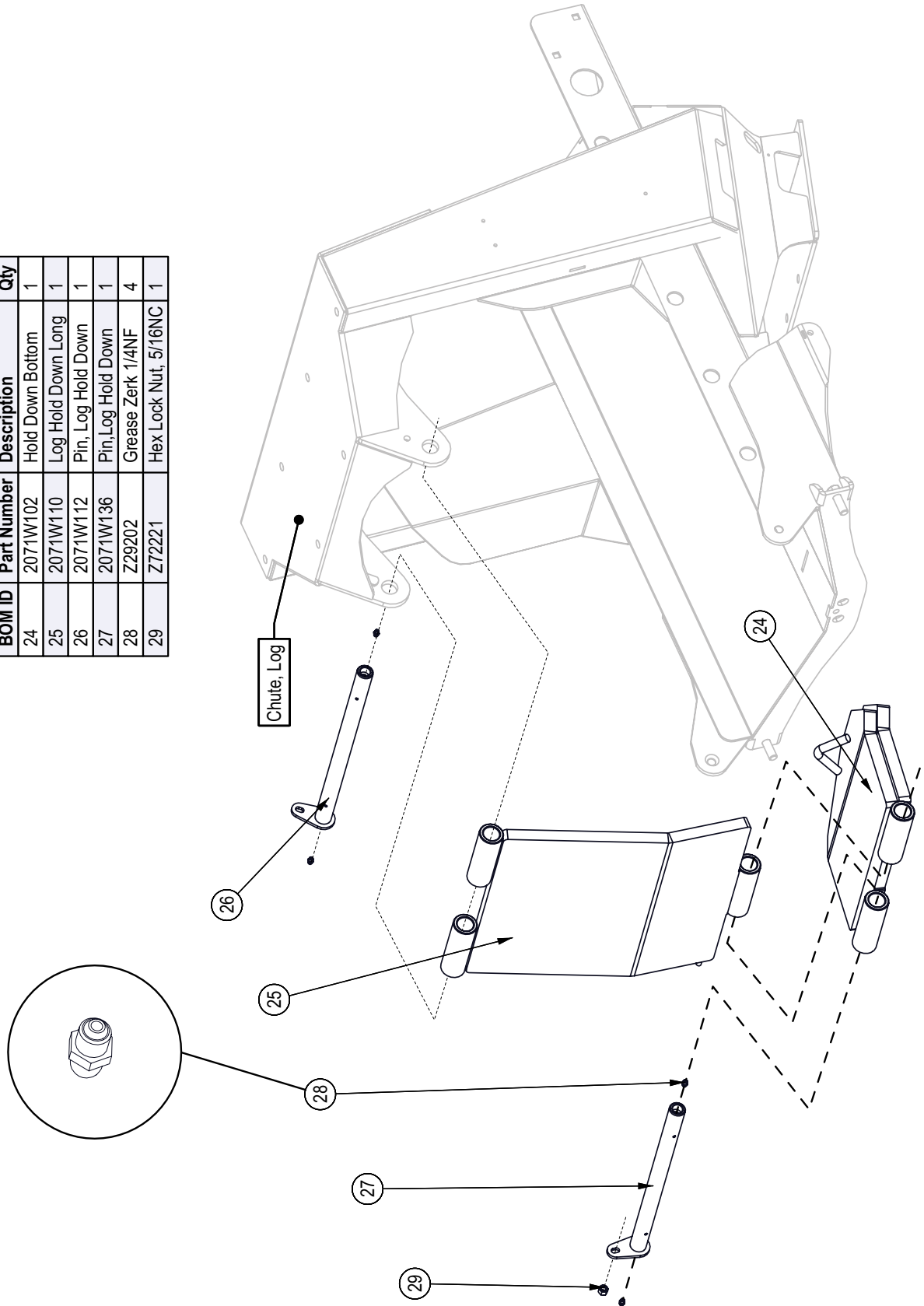
| BOM ID | Part No. | Description | Qty |
|--------|----------|------------------------------|-----|
| 12 | 2071L503 | Plate,Remote Start | 1 |
| 13 | 2071W101 | Chute, Lead In | 1 |
| 14 | 2071W118 | Chute, Bottom | 1 |
| 15 | 2071W122 | Foot,Jack | 2 |
| 16 | 2071W505 | Cover,Valve | 1 |
| 17 | 2071W534 | Dust Guard | 1 |
| 18 | 5081A100 | Hydraulic Winch Assembly | 1 |
| 19 | Z12441 | Snap Lock Pin, 1/2" x 4-1/2" | 2 |
| 20 | Z34204 | Ball Stud, 13mm x 5/16NC | 2 |

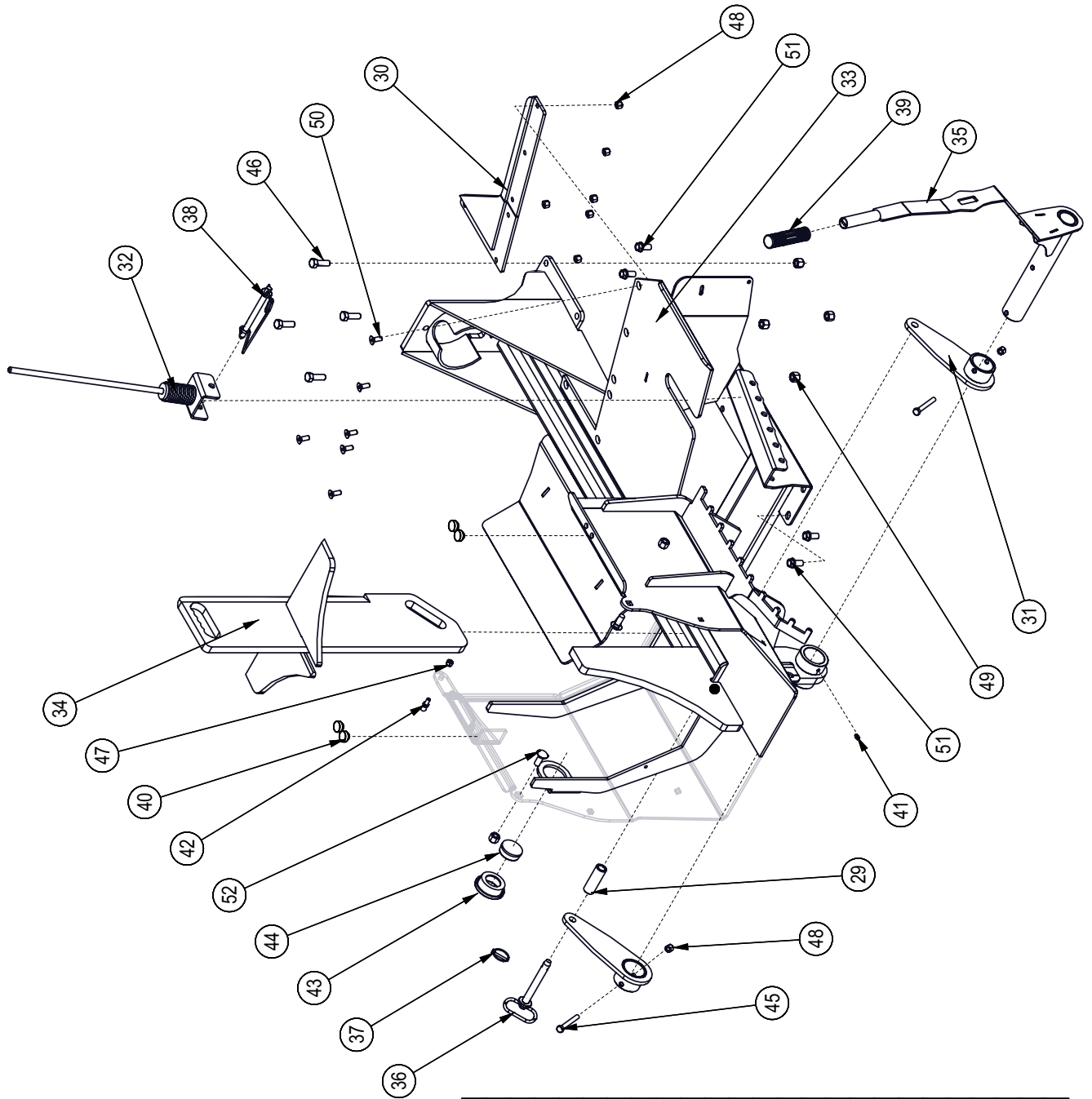
| BOM ID | Part No. | Description | Qty |
|--------|----------|---|-----|
| 21 | Z71330 | Hex Bolt, 3/8NC x 3" | 2 |
| 22 | Z72221 | Hex Lock Nut, 5/16NC | 2 |
| 23 | Z72231 | Hex Lock Nut, 3/8NC | 2 |
| 24 | Z72251 | Hex Lock Nut, 1/2NC | 4 |
| 25 | Z76121 | Flange Bolt, 5/16NC x 3/4" | 8 |
| 26 | Z76259 | Carriage Bolt, 1/2NC x 1-1/4" | 4 |
| 27 | Z78301 | Machine Screw, 1/4NC x 3/4" | 6 |
| 28 | Z91515 | Trailer Jack, Side Wind x 2000lbs No Foot | 2 |



Log Hold Down Ass'y

| BOM ID | Part Number | Description | Qty |
|--------|-------------|----------------------|-----|
| 24 | 2071W102 | Hold Down Bottom | 1 |
| 25 | 2071W110 | Log Hold Down Long | 1 |
| 26 | 2071W112 | Pin, Log Hold Down | 1 |
| 27 | 2071W136 | Pin, Log Hold Down | 1 |
| 28 | Z29202 | Grease Zerk 1/4NF | 4 |
| 29 | Z72221 | Hex Lock Nut, 5/16NC | 1 |

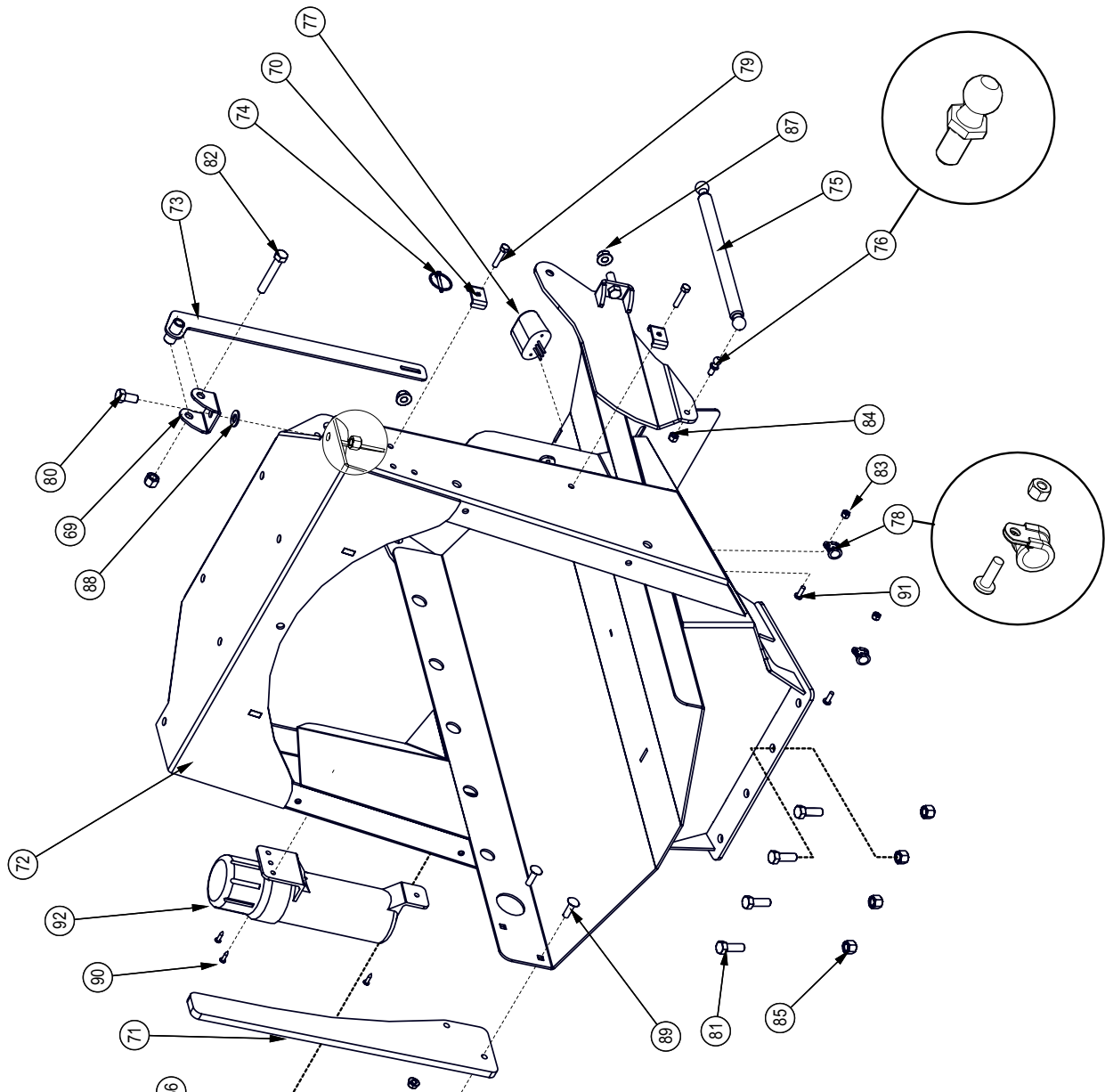




Splitter Cradle Ass'y

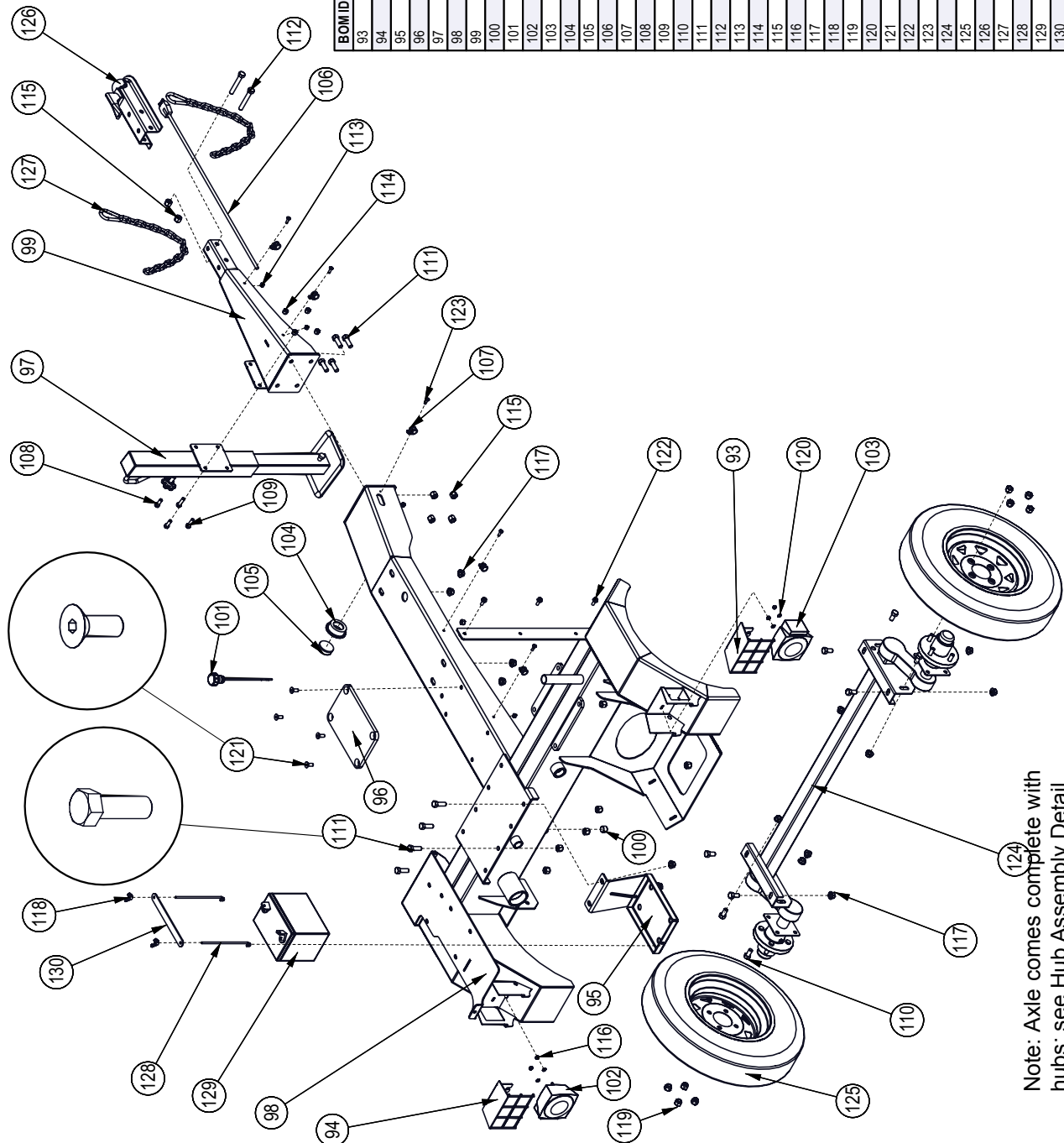
| BOM ID | Part No. | Description | Qty |
|--------|----------|-------------------------------|-----|
| 29 | 2071M123 | Roller Wedge Lift | 1 |
| 30 | 2071S126 | Edge Log Table | 1 |
| 31 | 2071W111 | Arm Wedge Lifter | 2 |
| 32 | 2071W190 | Log Stop Whip | 1 |
| 33 | 2071W530 | Weldment, Main Frame | 1 |
| 34 | 2071W532 | Wedge 4 Way | 1 |
| 35 | 2071W533 | Wedge Position Handle | 1 |
| 36 | Z11232 | Hitch Pin, 5/8" x 4-1/4" | 1 |
| 37 | Z12110 | Lynch Pin, 3/16" | 1 |
| 38 | Z12441 | Snap Lock Pin, 1/2" x 4-1/2" | 1 |
| 39 | Z19321 | Grip, 1" x 5" | 1 |
| 40 | Z19909 | Rubber Bumper 7/16 x 1 | 4 |
| 41 | Z29202 | Grease Zerk 1/4NF | 1 |
| 42 | Z34204 | Ball Stud, 13mm x 5/16NC | 1 |
| 43 | Z61202 | Round Grommet 2" Lamp | 1 |
| 44 | Z61205 | Round Marker Lamp 2" Amber | 1 |
| 45 | Z71330 | Hex Bolt, 3/8NC x 3" | 2 |
| 46 | Z71515 | Hex Bolt, 1/2NC x 1-1/2" | 4 |
| 47 | Z72221 | Hex Lock Nut, 5/16NC | 1 |
| 48 | Z72231 | Hex Lock Nut, 3/8NC | 8 |
| 49 | Z72251 | Hex Lock Nut, 1/2NC | 6 |
| 50 | Z75233 | FHCS, 3/8NC x 1" | 6 |
| 51 | Z76153 | Flange Bolt, 1/2NC x 1" | 4 |
| 52 | Z76259 | Carriage Bolt, 1/2NC x 1-1/4" | 2 |

Log Chute Ass'y



| Item | Part Number | Description | Qty |
|------|-------------|--------------------------------|-----|
| 69 | 2071L123 | Clevis, Latch Mount | 1 |
| 70 | 2071L504 | Hose Clamp, 2x 1/4 | 2 |
| 71 | 2071S208 | Saw Guide | 1 |
| 72 | 2071W115 | Chute, Log | 1 |
| 73 | 2071W121 | Arm, Log Chute Lock | 1 |
| 74 | Z12110 | Latch Pin, 3/16 | 1 |
| 75 | Z34203 | Gas Spring, 10mm x 8.44 Stroke | 2 |
| 76 | Z34204 | Ball Stud 13mm x 5/16 | 2 |
| 77 | Z61301 | License Lamp | 1 |
| 78 | Z62819 | Rubberized Wire Clamp, 1/2" | 2 |
| 79 | Z71215 | Hex Bolt, 5/16NC x 1-1/2 | 2 |
| 80 | Z71510 | Hex Bolt, 1/2NC x 1 | 1 |
| 81 | Z71515 | Hex Bolt, 1/2NC x 1-1/2 | 4 |
| 82 | Z71530 | Hex Bolt, 1/2NC x 3 | 1 |
| 83 | Z72211 | Hex Lock Nut, 1/4NC | 2 |
| 84 | Z72221 | Hex Lock Nut, 5/16NC | 2 |
| 85 | Z72251 | Hex Lock Nut, 1/2NC | 6 |
| 86 | Z72531 | Flange Nut, 3/8NC | 2 |
| 87 | Z72551 | Flange Nut 1/2NC | 2 |
| 88 | Z73151 | Flat Washer, 1/2 | 1 |
| 89 | Z76232 | Carriage Bolt, 3/8NC x 1-1/4 | 2 |
| 90 | Z76712 | Self-tapping Screw #10 | 3 |
| 91 | Z78301 | Machine Screw, 1/4-20NC x 3/4 | 2 |
| 92 | Z96503 | Manual Tube 3-1/2 Short | 1 |

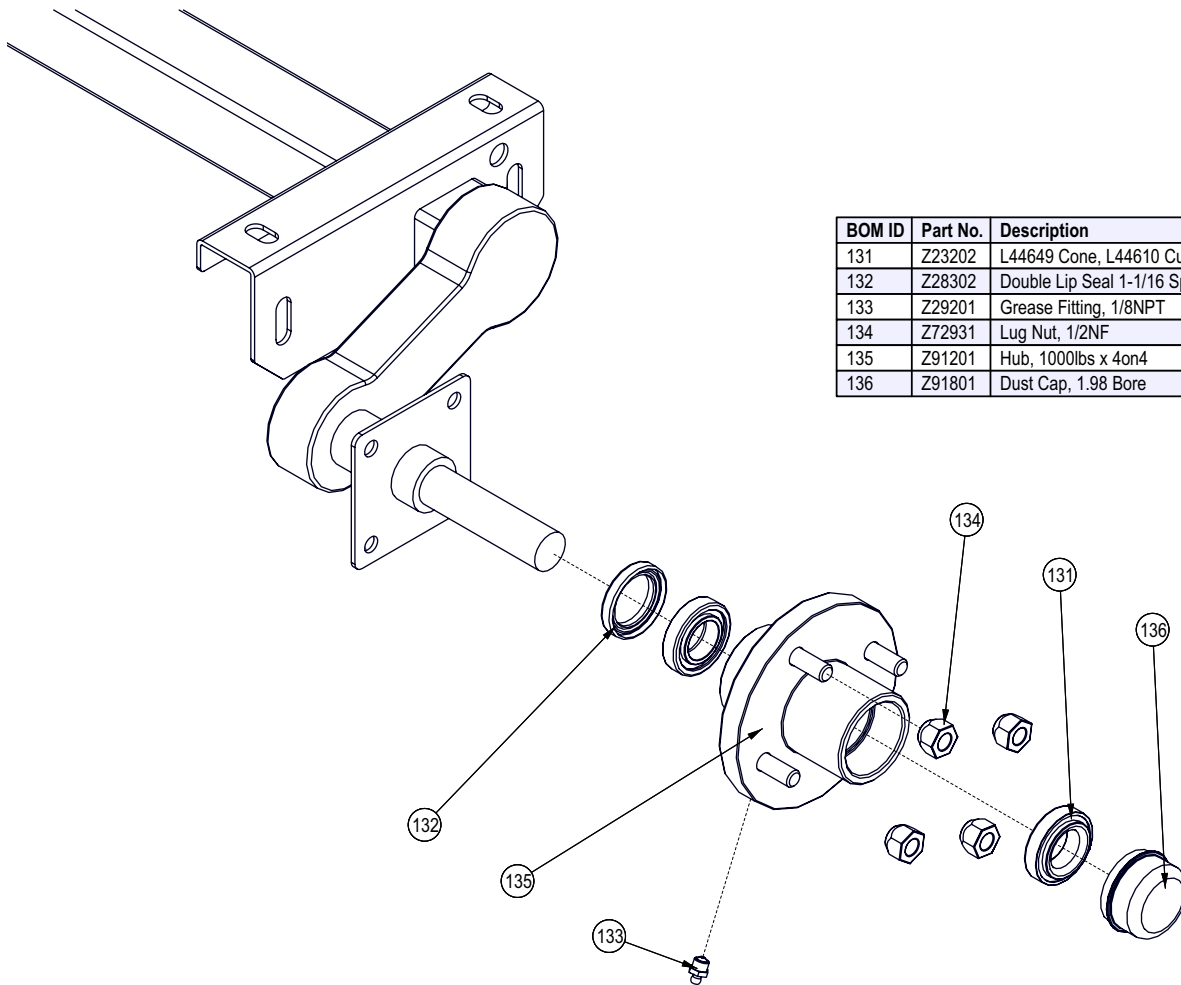
Running Gear



| BOM ID | Part No. | Description | Qty |
|--------|----------|--|-----|
| 93 | 2089L351 | Light Guard | 1 |
| 94 | 2089L351 | Light Guard | 1 |
| 95 | 2071L507 | Trey, Battery | 1 |
| 96 | 2071S129 | Chain Bumper | 1 |
| 97 | 2071W116 | Drop Leg Jack Assembly | 1 |
| 98 | 2071W535 | Weldment, WP830 Tank Base | 1 |
| 99 | 2071W537 | Tongue | 1 |
| 100 | Z51192 | Socket Plug, MP 08 | 1 |
| 101 | Z55404 | Vented Plug Dipstick x 9" | 1 |
| 102 | Z61106 | Stop, Turn, Tail Light LH | 1 |
| 103 | Z61107 | Stop, Turn, Tail Light RH | 1 |
| 104 | Z61202 | Round Grommet 2" Lamp | 1 |
| 105 | Z61205 | Round Marker Lamp 2" Amber | 1 |
| 106 | Z62126 | WP800 Series Lights Harness | 1 |
| 107 | Z62819 | Rubberized Wire Clamp, .12" | 5 |
| 108 | Z71310 | Hex Bolt, 3/8NC x 1" | 2 |
| 109 | Z71312 | Hex Bolt, 3/8NC x 1-1/4" | 2 |
| 110 | Z71510 | Hex Bolt, 1/2NC x 1" | 8 |
| 111 | Z71515 | Hex Bolt, 1/2NC x 1-1/2" | 2 |
| 112 | Z71532 | Hex Bolt, 1/2NC x 3-1/4" | 2 |
| 113 | Z72211 | Hex Lock Nut, 1/4NC | 5 |
| 114 | Z72231 | Hex Lock Nut, 3/8NC | 4 |
| 115 | Z72251 | Hex Lock Nut, 1/2NC | 13 |
| 116 | Z72311 | Jam Nut, 1/4NC | 4 |
| 117 | Z72551 | Serrated Flange Locknut, 1/2NC | 14 |
| 118 | Z72921 | Wing Nut, 1/4NC | 2 |
| 119 | Z72931 | Lug Nut, 1/2NF | 8 |
| 120 | Z73431 | Int - Ext Tooth Washer, 1/4" | 4 |
| 121 | Z75233 | FHCS, 3/8NC x 1" | 4 |
| 122 | Z76121 | Flange Bolt, 5/16NC x 3/4" | 3 |
| 123 | Z78301 | Machine Screw, 1/4NC x 3/4" | 5 |
| 124 | Z91115 | #9 Full Flex Axle, 22000lbs x 54" HF | 1 |
| 125 | Z91322 | 5.30-12 LRC USA Trail 40x4" (E-Marked) | 2 |
| 126 | Z91614 | Hitch Coupler, 2" Ball x 2" x 3500lbs | 1 |
| 127 | Z92303 | Safety Chain 1/4 x 2' | 2 |
| 128 | Z93202 | J-Hook 1/4 x 7' | 2 |
| 129 | Z93204 | 325 CCA Battery | 1 |
| 130 | Z93207 | Hold-Down Strap, 1 x 8-1/2' | 1 |

Note: Axle comes complete with hubs: see Hub Assembly Detail.

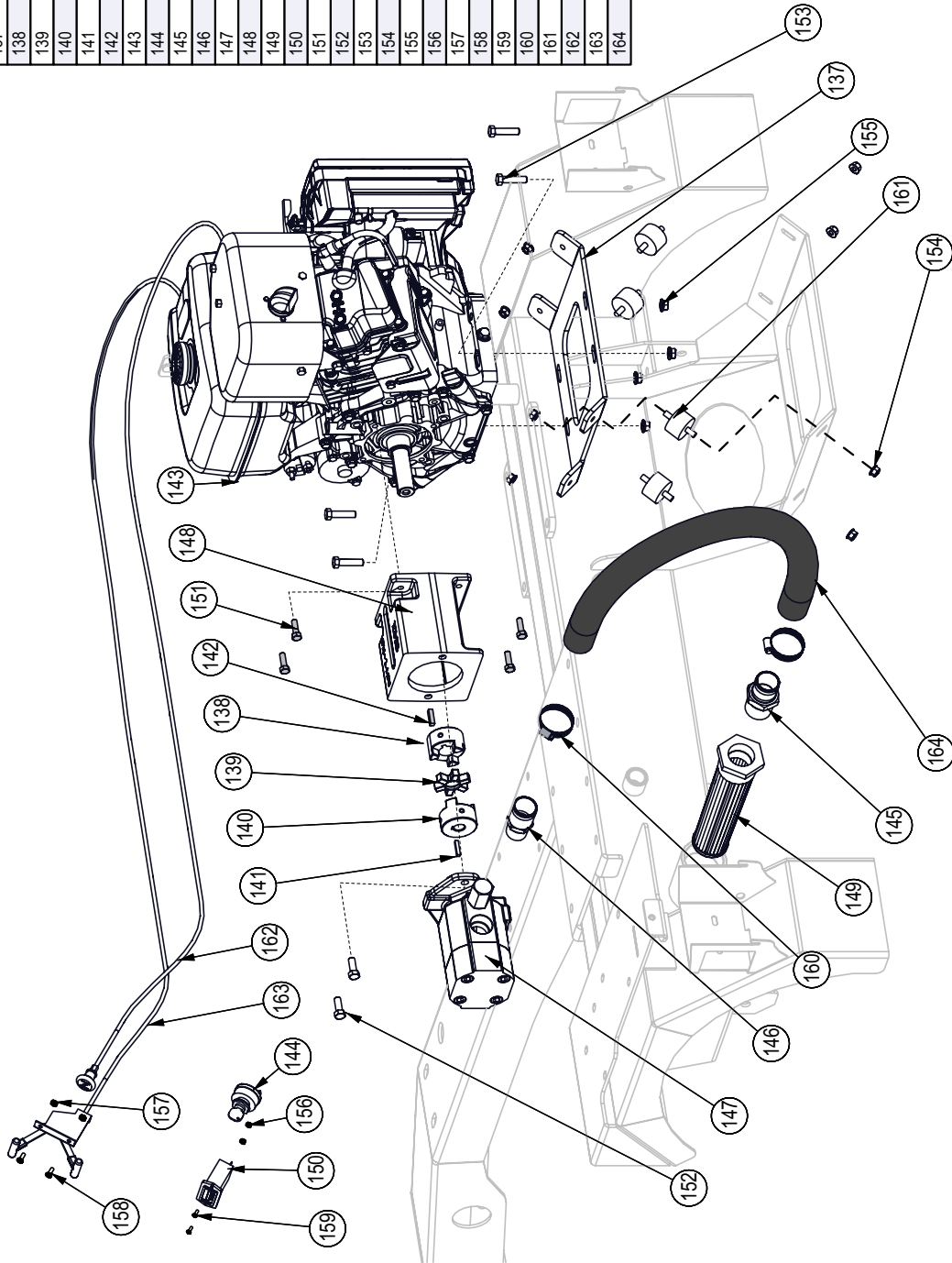
Hub Assembly Detail



| BOM ID | Part No. | Description | Qty |
|--------|----------|--------------------------------|-----|
| 131 | Z23202 | L44649 Cone, L44610 Cup | 3 |
| 132 | Z28302 | Double Lip Seal 1-1/16 Spindle | 2 |
| 133 | Z29201 | Grease Fitting, 1/8NPT | 2 |
| 134 | Z72931 | Lug Nut, 1/2NF | 5 |
| 135 | Z91201 | Hub, 1000lbs x 4on4 | 2 |
| 136 | Z91801 | Dust Cap, 1.98 Bore | 1 |

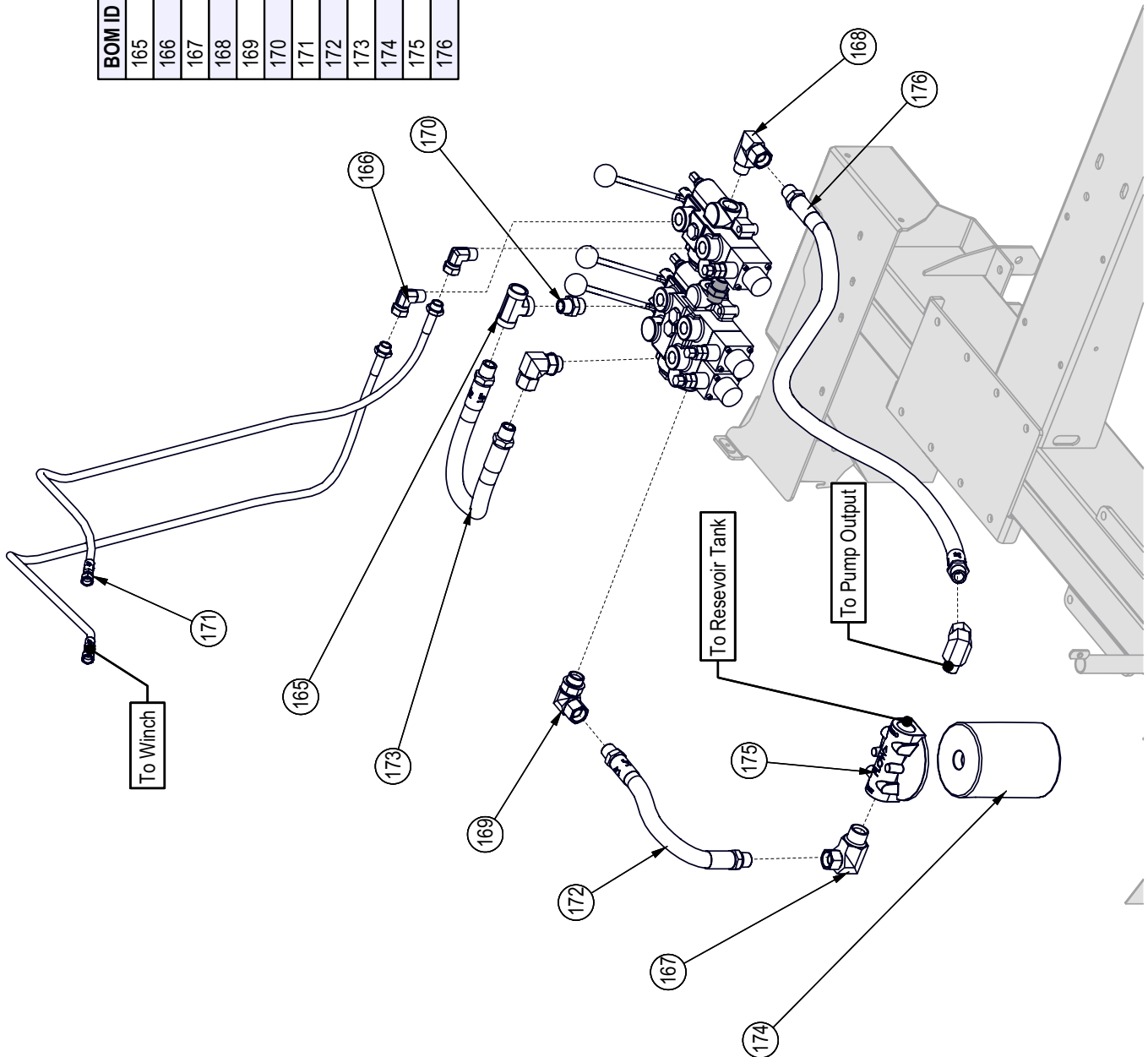
| BOM ID | Part No. | Description | Qty |
|--------|----------|-------------------------------------|-----|
| 137 | 2071L545 | Plate, Engine Mount | 1 |
| 138 | Z46404 | Shaft Coupler, L095 x 1 | 1 |
| 139 | Z46405 | Coupler Spider, L095 | 1 |
| 140 | Z46419 | Shaft Coupler, L095 x 5/8 | 1 |
| 141 | Z46522 | Key, 3/16 x 3/16 x 1 | 1 |
| 142 | Z46533 | Key, 1/4 x 1/4 x 1 | 1 |
| 143 | Z47712 | Subaru EX400DP, 14hp Engine | 1 |
| 144 | Z47906 | Keyswitch for Subaru EX400 | 1 |
| 145 | Z51185 | Straight, MHB x MP 2020 | 1 |
| 146 | Z51186 | Straight, MHB x MP 2016 | 1 |
| 147 | Z53206 | Two-Stage Pump, 22GPM | 1 |
| 148 | Z53806 | Pump Mount, PM-14SU | 1 |
| 149 | Z55102 | Suction Strainer, MP32 | 1 |
| 150 | Z64611 | Hour Meter, E-Mech DC | 1 |
| 151 | Z71274 | Hex Bolt, 5/16NF x 1" | 4 |
| 152 | Z71310 | Hex Bolt, 3/8NC x 1" | 2 |
| 153 | Z71315 | Hex Bolt, 3/8NC x 1-1/2" | 4 |
| 154 | Z72621 | Serrated Flange Locknut, 5/16NC | 8 |
| 155 | Z72631 | Serrated Flange Locknut, 3/8NC | 4 |
| 156 | Z72731 | Machine Nut, #6NC | 2 |
| 157 | Z72752 | Machine Nut, #10NF | 2 |
| 158 | Z78303 | Machine Screw, #10NF x 1/2" | 2 |
| 159 | Z78304 | Machine Screw, #6NC x 3/8" | 2 |
| 160 | Z79404 | Hose Clamp, SAE #24 (2") | 2 |
| 161 | Z79833 | Isolator, 1-9/16" Dia x 1" x 5/16NC | 4 |
| 162 | Z92115 | Remote Choke Cable 68" | 1 |
| 163 | Z92116 | Remote Throttle Cable 66" | 1 |
| 164 | Z52408 | Suction Hose, 1-1/4" x 30" | 1 |

Engine & Pump Ass'y

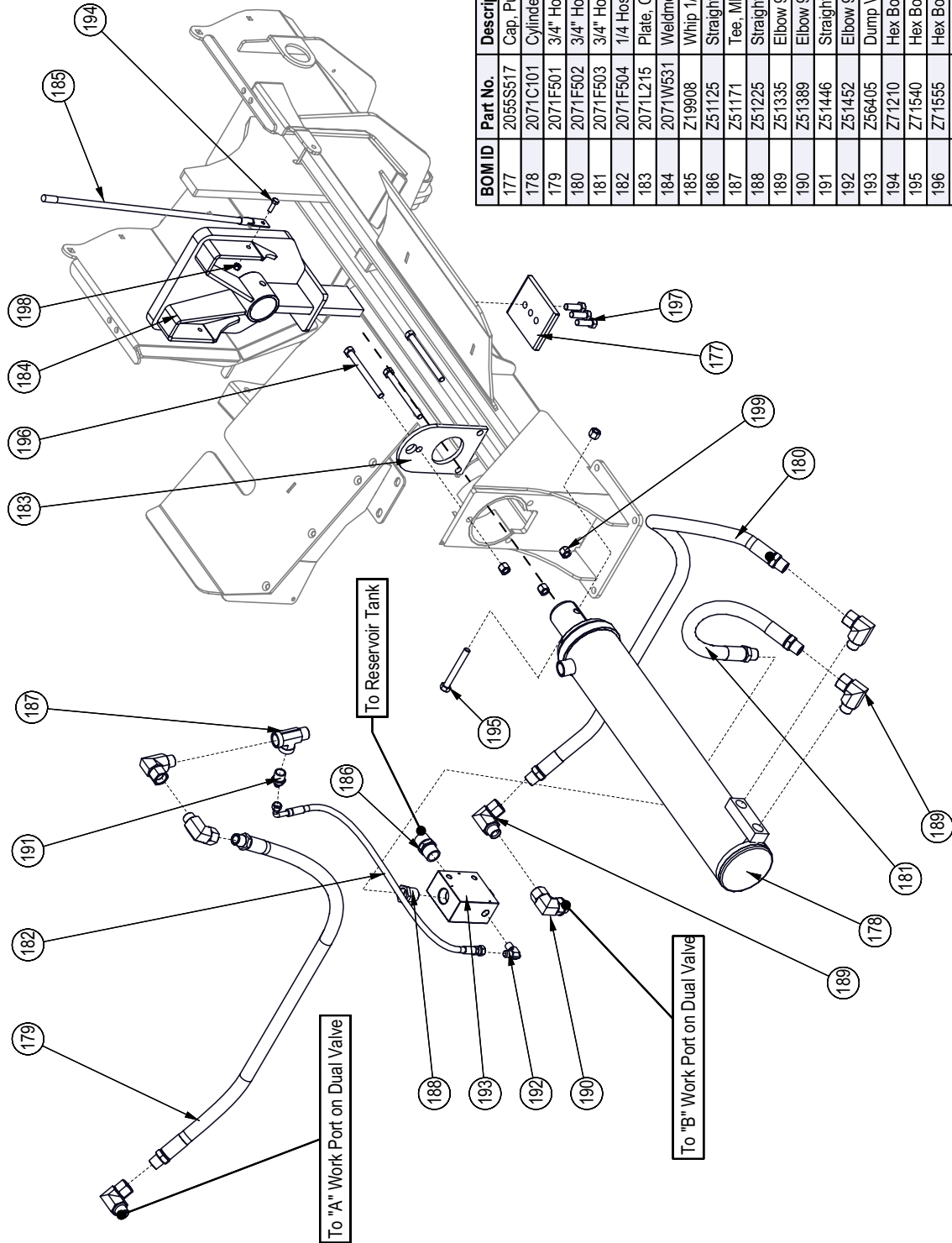


Hydraulic Lines

| BOM ID | Part No. | Description | Qty |
|--------|----------|--------------------------------|-----|
| 165 | Z51293 | Tee, FP x FP x FP 121212 | 1 |
| 166 | Z51331 | Elbow 90, MP x FPX 0808 | 2 |
| 167 | Z51333 | Elbow 90, MP x FPX 1612 | 1 |
| 168 | Z51335 | Elbow 90, MP x FPX 1212 | 2 |
| 169 | Z51389 | Elbow 90, MORB x FPX 1212 | 2 |
| 170 | Z51613 | Straight, MORB x MP 1212 | 2 |
| 171 | Z52123 | 1/4" Hose, FJIC06 x MP08 x 45" | 2 |
| 172 | Z52411 | 3/4" Hose, MP12 x MP12 x 14" | 1 |
| 173 | Z52413 | 3/4" Hose, MP12 x MP12 x 18" | 1 |
| 174 | Z55303 | Particulate Filter | 1 |
| 175 | Z55304 | Filter Cap, MP16 x FP16 | 1 |
| 176 | Z52409 | 3/4" Hose, MP12 x MP12 x 36" | 1 |



Hydraulic Splitter Ass'y

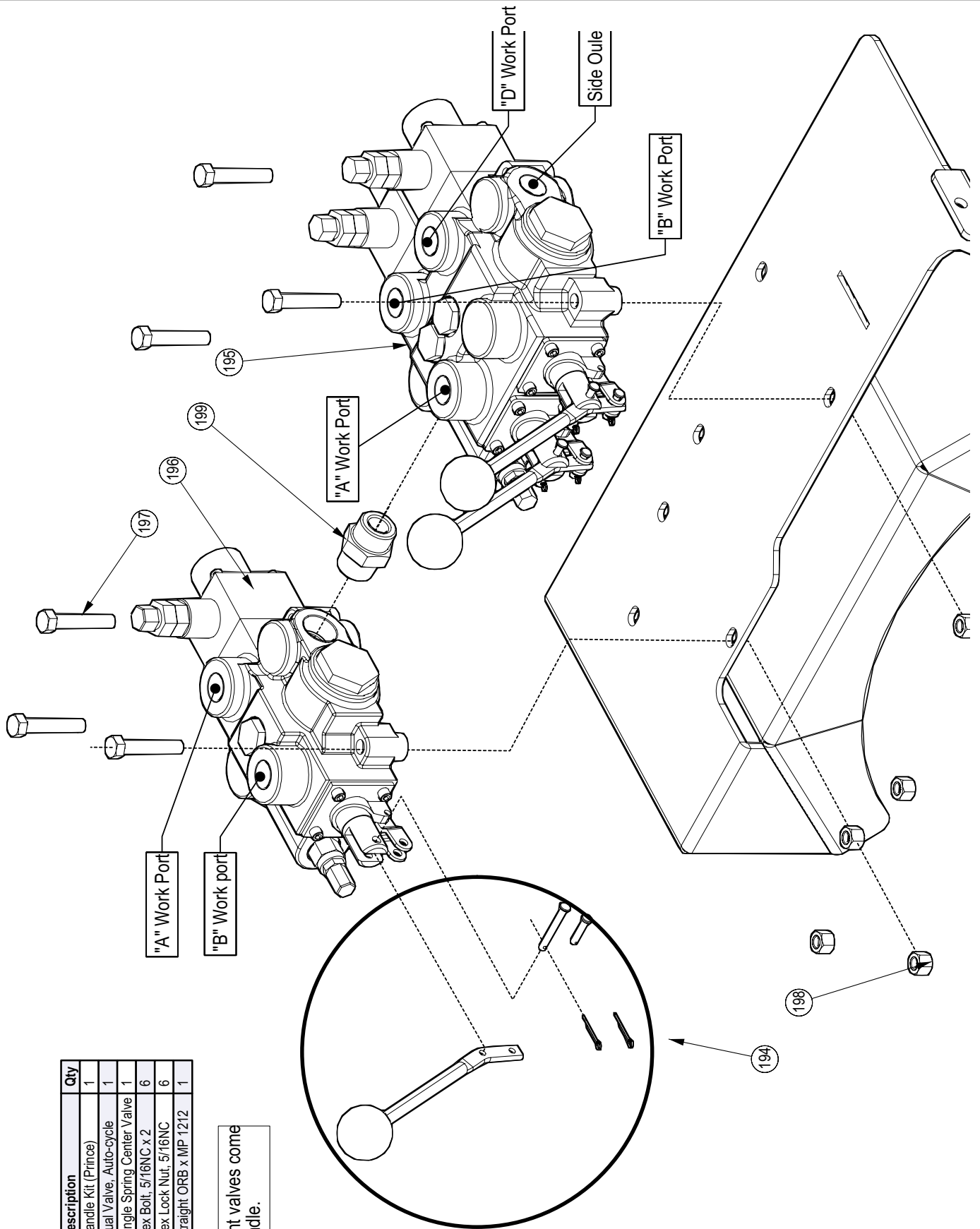


| BOM ID | Part No. | Description | Qty |
|--------|----------|-----------------------------------|-----|
| 177 | 2055S517 | Cap, Push Block | 1 |
| 178 | 2071C101 | Cylinder, 4-1/2 x 24 x 2-1/2 | 1 |
| 179 | 2071F501 | 3/4" Hose, MP08 x MP08 x 42" | 1 |
| 180 | 2071F502 | 3/4" Hose, MP08 x MP08 x 56" | 1 |
| 181 | 2071F503 | 3/4" Hose, MP08 x MP08 x 28" | 1 |
| 182 | 2071F504 | 1/4 Hose, FJIC06 x 90FJIC06 x 25" | 1 |
| 183 | 2071L215 | Plate, Cylinder Retaining | 1 |
| 184 | 2071W531 | Weldment, Hvy Push Block | 1 |
| 185 | Z19908 | Whip 1/2 x 24 | 1 |
| 186 | Z51125 | Straight, MP x MP 1616 | 1 |
| 187 | Z51171 | Tee, MP x FP x FP 121212 | 1 |
| 188 | Z51225 | Straight, MP x FP 1612 | 1 |
| 189 | Z51335 | Elbow 90, MP x FPX 1212 | 6 |
| 190 | Z51389 | Elbow 90, MORB x FPX 1212 | 1 |
| 191 | Z51446 | Straight, MJIC x MP 0612 | 1 |
| 192 | Z51452 | Elbow 90, MJIC x MP 0606 | 1 |
| 193 | Z56405 | Dump Valve | 1 |
| 194 | ZT1210 | Hex Bolt, 5/16NC x 1" | 1 |
| 195 | ZT1540 | Hex Bolt, 1/2NC x 4" | 1 |
| 196 | ZT1555 | Hex Bolt, 1/2NC x 5-1/2" | 3 |
| 197 | ZT1576 | Hex Bolt, 1/2NF x 1-1/2" G8 | 3 |
| 198 | ZT2221 | Hex Lock Nut, 5/16NC | 1 |
| 199 | ZT2251 | Hex Lock Nut, 1/2NC | 4 |

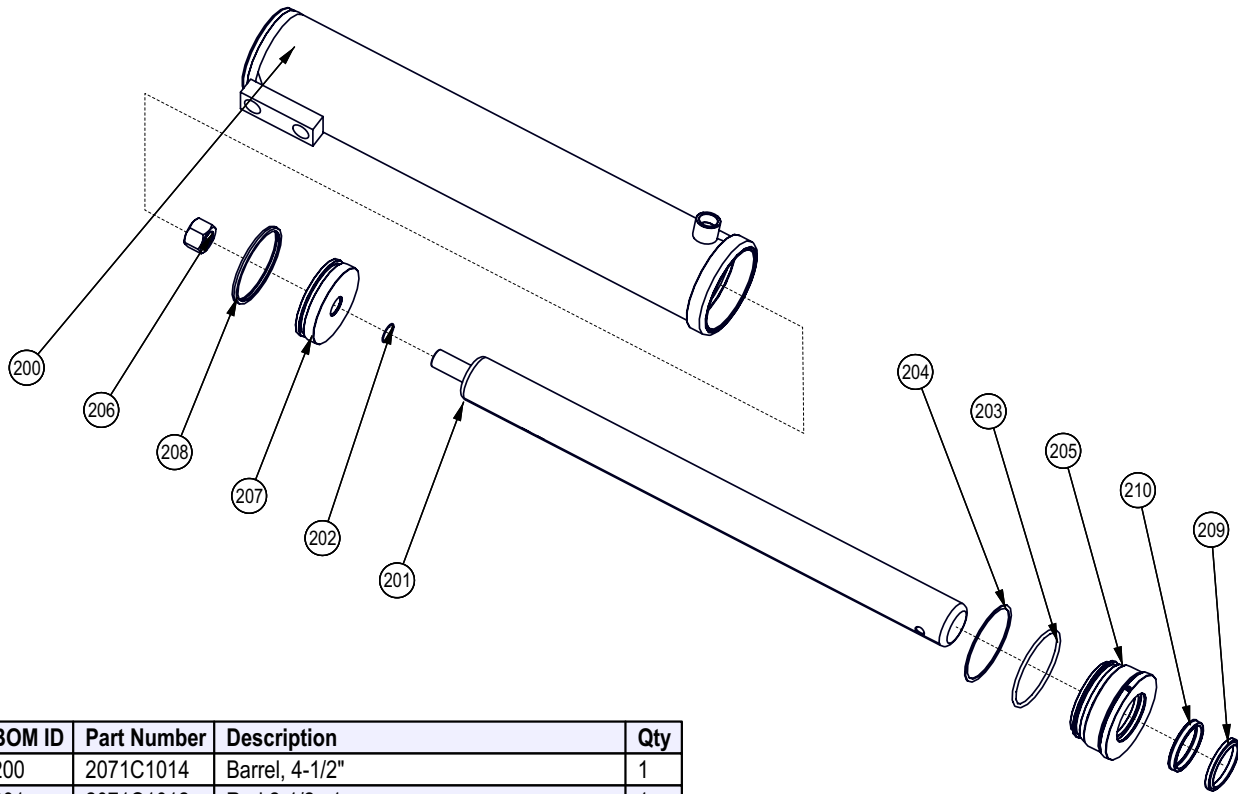
Hydraulic Valves

| Item | Part Number | Description | Qty |
|------|-------------|----------------------------|-----|
| 194 | 660150004 | Handle Kit (Prince) | 1 |
| 195 | Z56213 | Dual Valve, Auto-cycle | 1 |
| 196 | Z56214 | Single Spring Center Valve | 1 |
| 197 | Z71220 | Hex Bolt, 5/16NC x 2 | 6 |
| 198 | Z72231 | Hex Lock Nut, 5/16NC | 6 |
| 199 | Z51613 | Straight ORB x MP 1212 | 1 |

Note: Replacement valves come complete with handle.



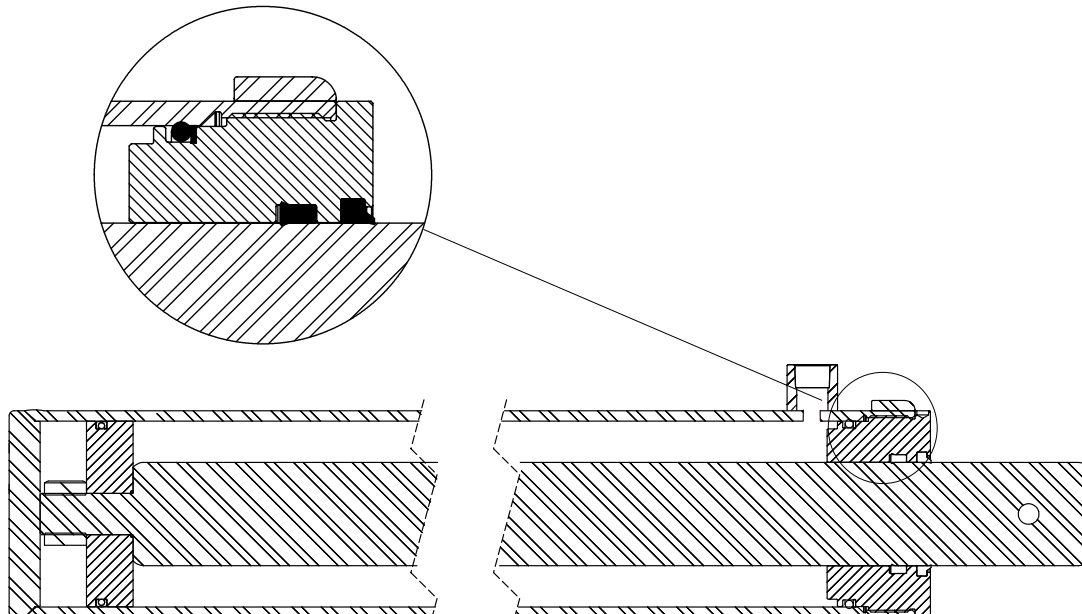
Hydraulic Cylinder



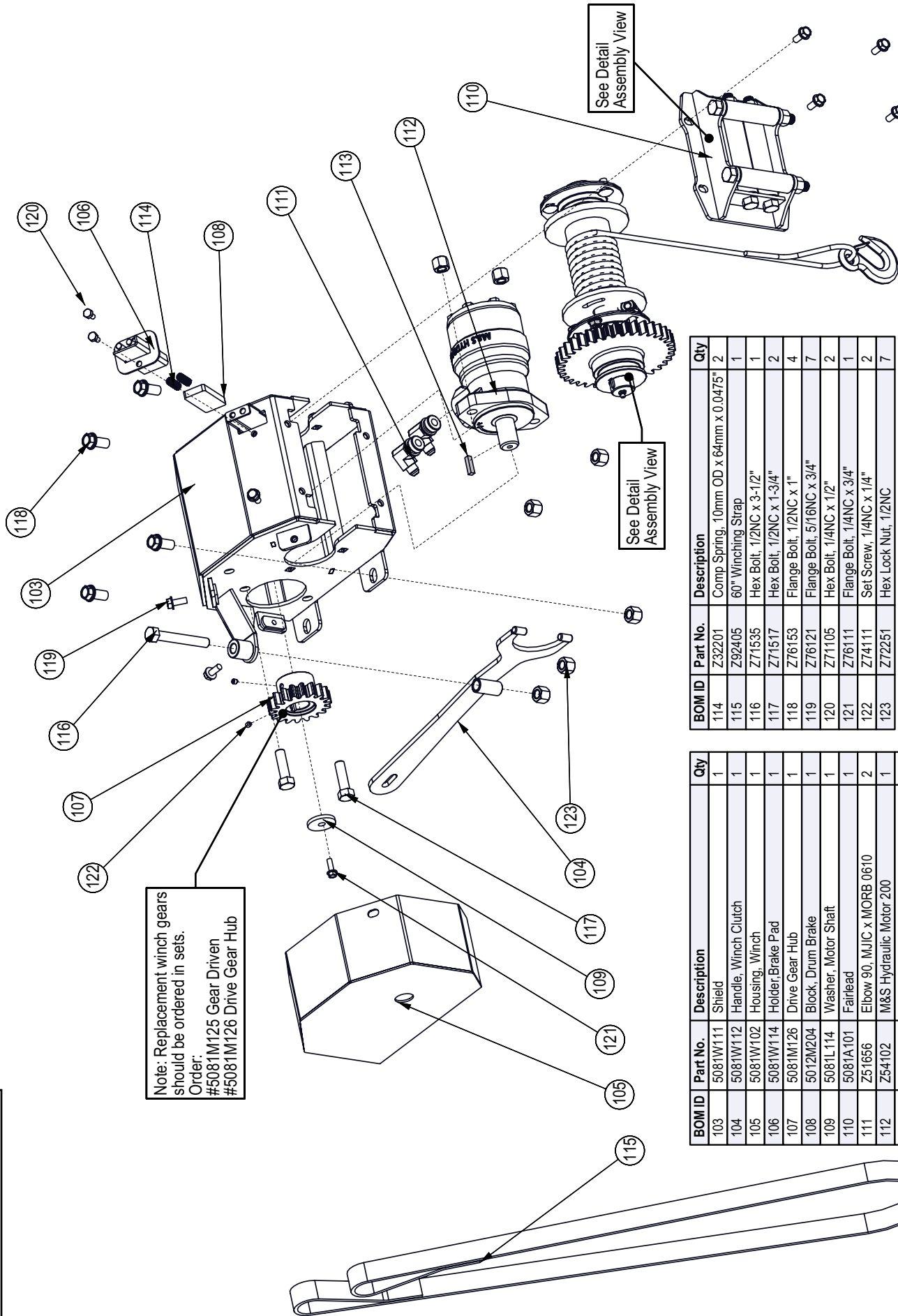
| BOM ID | Part Number | Description | Qty |
|--------|-------------|--------------------------------------|-----|
| 200 | 2071C1014 | Barrel, 4-1/2" | 1 |
| 201 | 2071C1012 | Rod, 2-1/2x 1 | 1 |
| 202 | 568-018 | Piston To Rod Seal O-Ring 1" | 1 |
| 203 | 568-346 | 4-1/2"OD X 1/8" CROSS SECTION O-RING | 1 |
| 204 | 575-346 | 4-1/2" Back-Up Ring | 1 |
| 205 | G450-250S | 4-1/2" X 2-1/2" GLAND | 1 |
| 206 | Z72292G8 | Hex Lock Nut 1NF Grade 8 | 1 |
| 207 | P100-450SP | 4-1/2" BORE PISTON | 1 |
| 208 | PSC-346 | 4-1/2" Double Acting Piston Seal | 1 |
| 209 | ST-250 | 2-1/2" Rod Wiper | 1 |
| 210 | UI8-250-37B | 2-1/2" X 2-7/8" X 3/8" U-CUP | 1 |

Hydraulic Cylinder Seal Kit #SLK-4525

VIEW SHOWS PROPER SEAL ORIENTATION



Hydraulic Winch

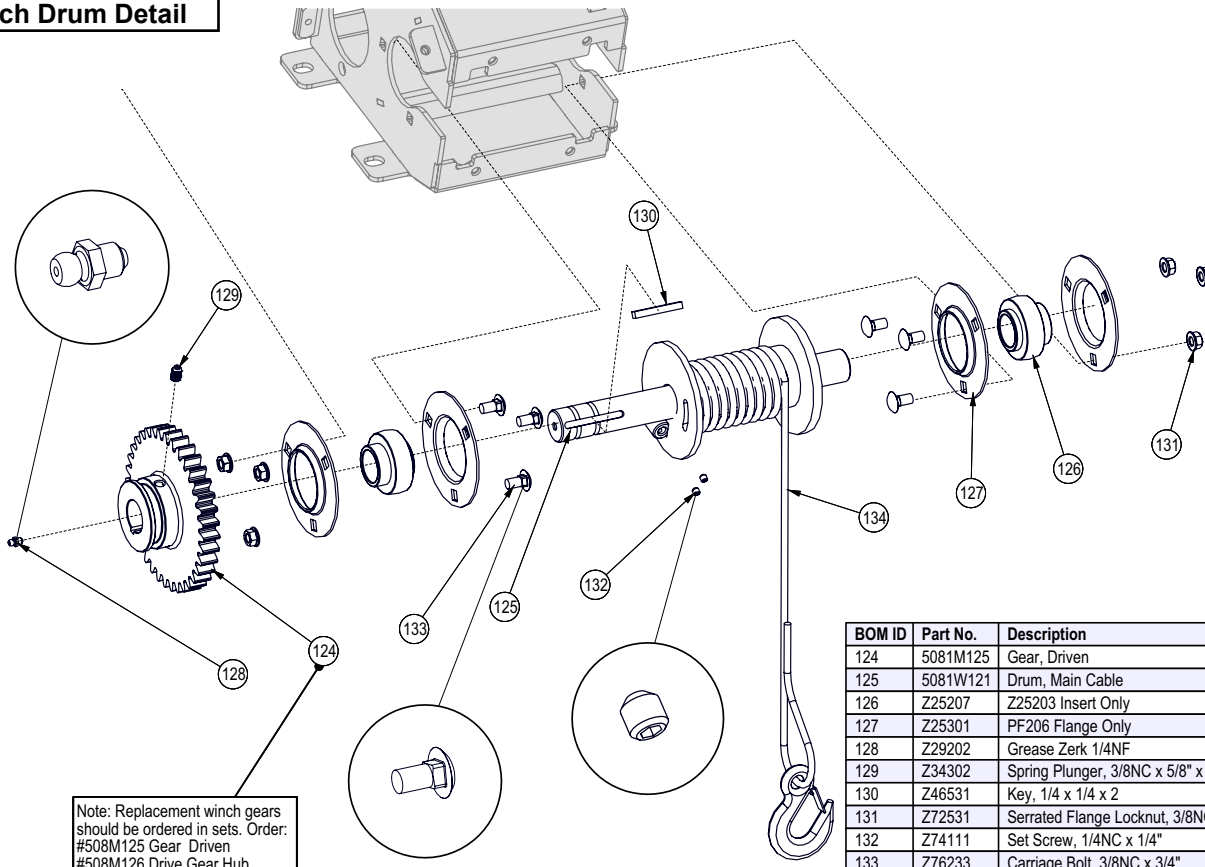


Note: Replacement winch gears should be ordered in sets.
 Order:
 #5081M125 Gear Driven
 #5081M126 Drive Gear Hub

| BOM ID | Part No. | Description | Qty |
|--------|----------|---------------------------------------|-----|
| 114 | Z32201 | Comp Spring, 10mm OD x 64mm x 0.0475" | 2 |
| 115 | Z92405 | 60" Winching Strap | 1 |
| 116 | Z71535 | Hex Bolt, 1/2NC x 3-1/2" | 1 |
| 117 | Z71517 | Hex Bolt, 1/2NC x 1-3/4" | 2 |
| 118 | Z76153 | Flange Bolt, 1/2NC x 1" | 4 |
| 119 | Z76121 | Flange Bolt, 5/16NC x 3/4" | 7 |
| 120 | Z71105 | Hex Bolt, 1/4NC x 1/2" | 2 |
| 121 | Z76111 | Flange Bolt, 1/4NC x 3/4" | 1 |
| 122 | Z74111 | Set Screw, 1/4NC x 1/4" | 2 |
| 123 | Z72251 | Hex Lock Nut, 1/2NC | 7 |

| BOM ID | Part No. | Description | Qty |
|--------|----------|-----------------------------|-----|
| 103 | 5081W111 | Shield | 1 |
| 104 | 5081W112 | Handle, Winch Clutch | 1 |
| 105 | 5081W102 | Housing, Winch | 1 |
| 106 | 5081W114 | Holder, Brake Pad | 1 |
| 107 | 5081M126 | Drive Gear Hub | 1 |
| 108 | 5012M204 | Block, Drum Brake | 1 |
| 109 | 5081L114 | Washer, Motor Shaft | 1 |
| 110 | 5081A101 | Fairlead | 1 |
| 111 | Z51656 | Elbow 90, M/JIC x MORB 0610 | 2 |
| 112 | Z54102 | M&S Hydraulic Motor 200 | 1 |
| 113 | Z46533 | Key, 1/4 x 1/4 x 1 | 1 |

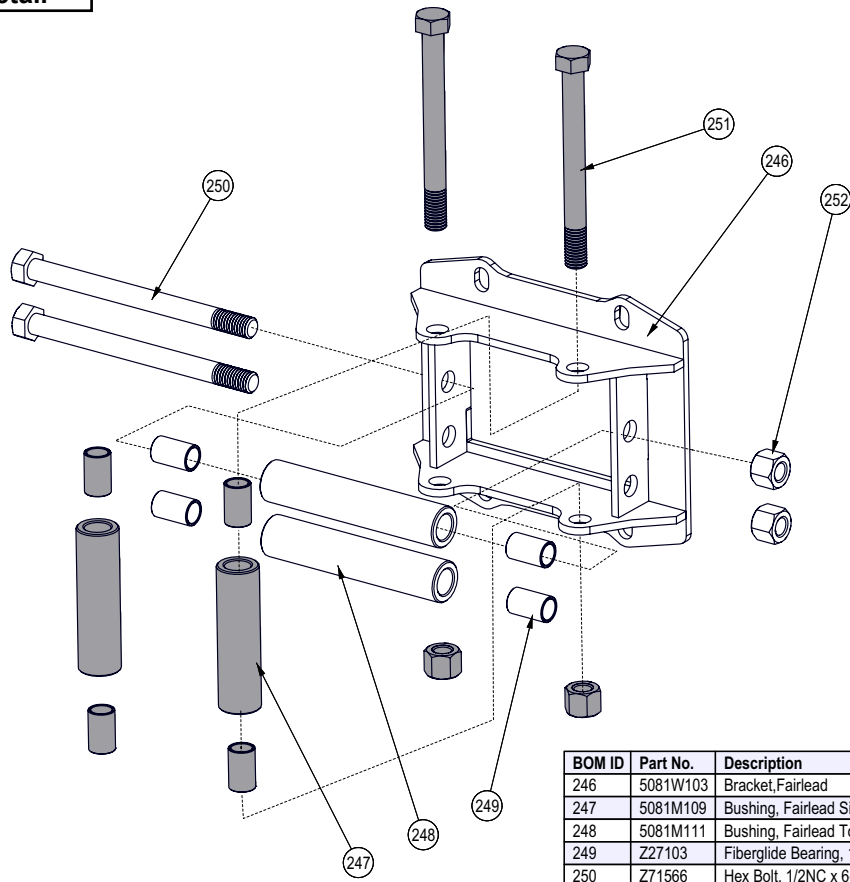
Winch Drum Detail



Note: Replacement winch gears should be ordered in sets. Order: #508M125 Gear Driven #508M126 Drive Gear Hub

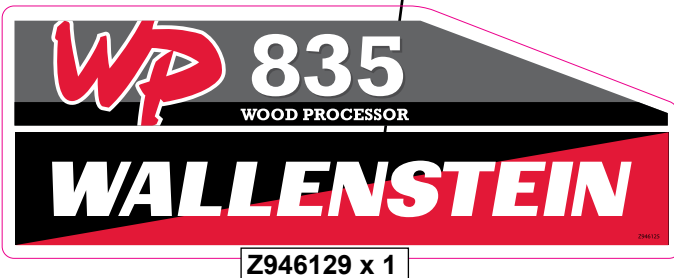
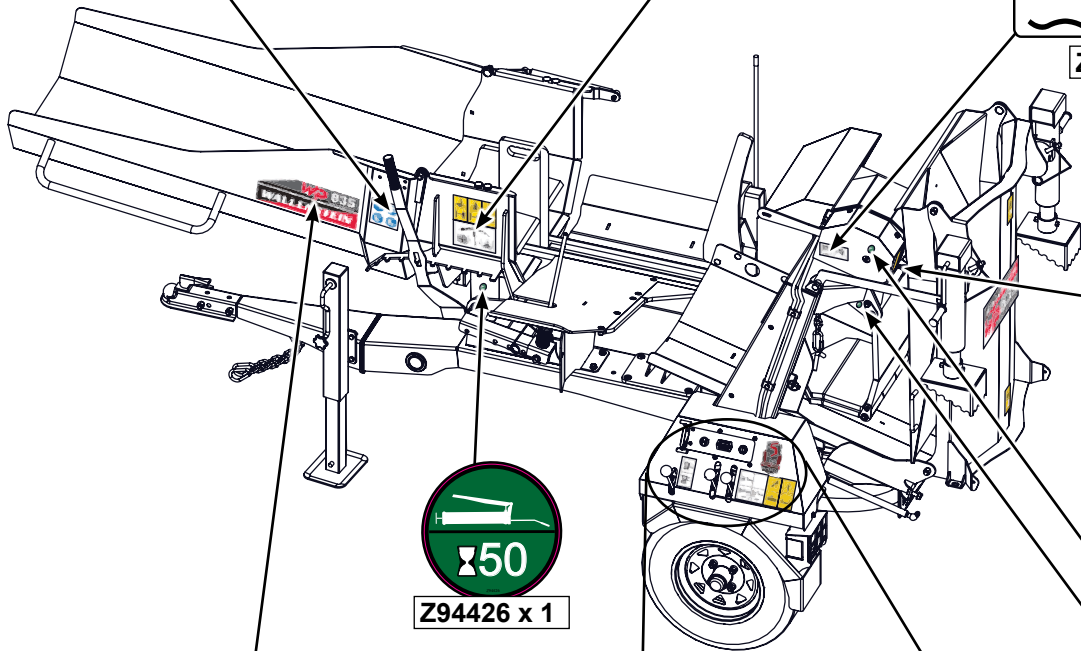
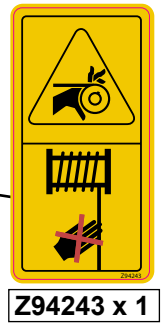
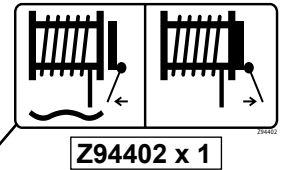
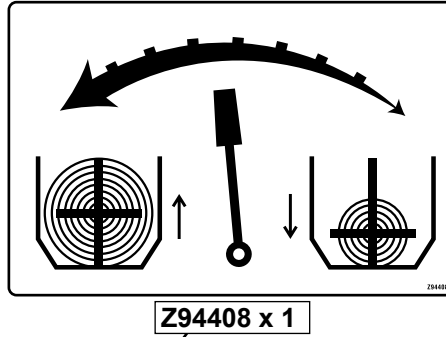
| BOM ID | Part No. | Description | Qty |
|--------|----------|--|-----|
| 124 | 5081M125 | Gear, Driven | 1 |
| 125 | 5081W121 | Drum, Main Cable | 1 |
| 126 | Z25207 | Z25203 Insert Only | 2 |
| 127 | Z25301 | PF206 Flange Only | 4 |
| 128 | Z29202 | Grease Zerk 1/4NF | 1 |
| 129 | Z34302 | Spring Plunger, 3/8NC x 5/8" x 21 lbs | 1 |
| 130 | Z46531 | Key, 1/4 x 1/4 x 2 | 1 |
| 131 | Z72531 | Serrated Flange Locknut, 3/8NC | 6 |
| 132 | Z74111 | Set Screw, 1/4NC x 1/4" | 2 |
| 133 | Z76233 | Carriage Bolt, 3/8NC x 3/4" | 6 |
| 134 | Z92112 | Synthetic Winch Rope 1/4 x 50' with Hook | 1 |

Winch Fairlead Detail

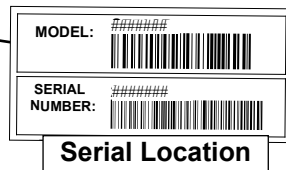
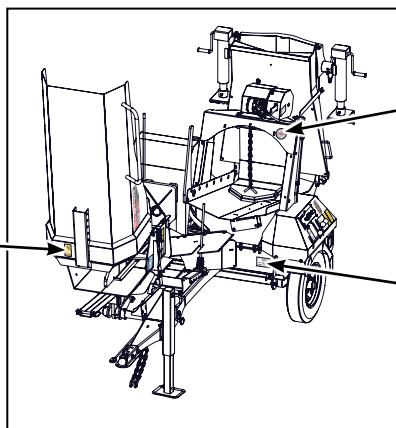
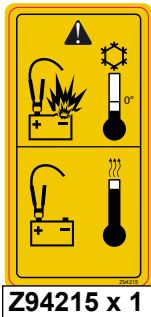


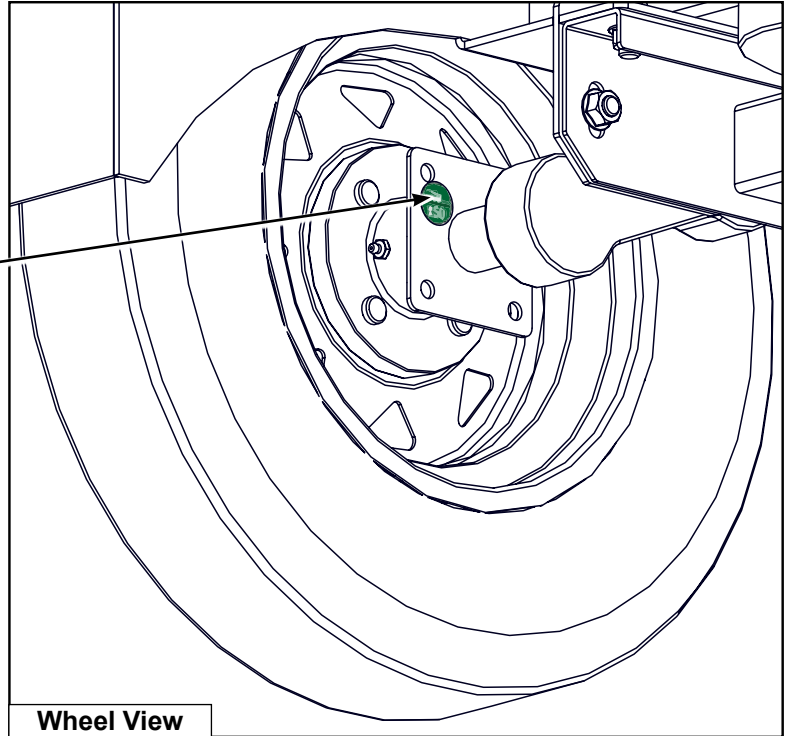
| BOM ID | Part No. | Description | Qty |
|--------|----------|--|-----|
| 246 | 5081W103 | Bracket, Fairlead | 1 |
| 247 | 5081M109 | Bushing, Fairlead Side | 2 |
| 248 | 5081M111 | Bushing, Fairlead Top | 2 |
| 249 | Z27103 | Fiberglide Bearing, 1/2" ID x 1" long x 1/16" wall | 8 |
| 250 | Z71566 | Hex Bolt, 1/2NC x 6-1/4" x 5-1/4" Shank | 2 |
| 251 | Z71567 | Hex Bolt, 1/2NC x 5" x 4" Shank | 2 |
| 252 | Z72251 | Hex Lock Nut, 1/2NC | 4 |

Labels




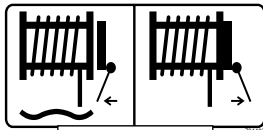
See Control Panel Layout on Page 21



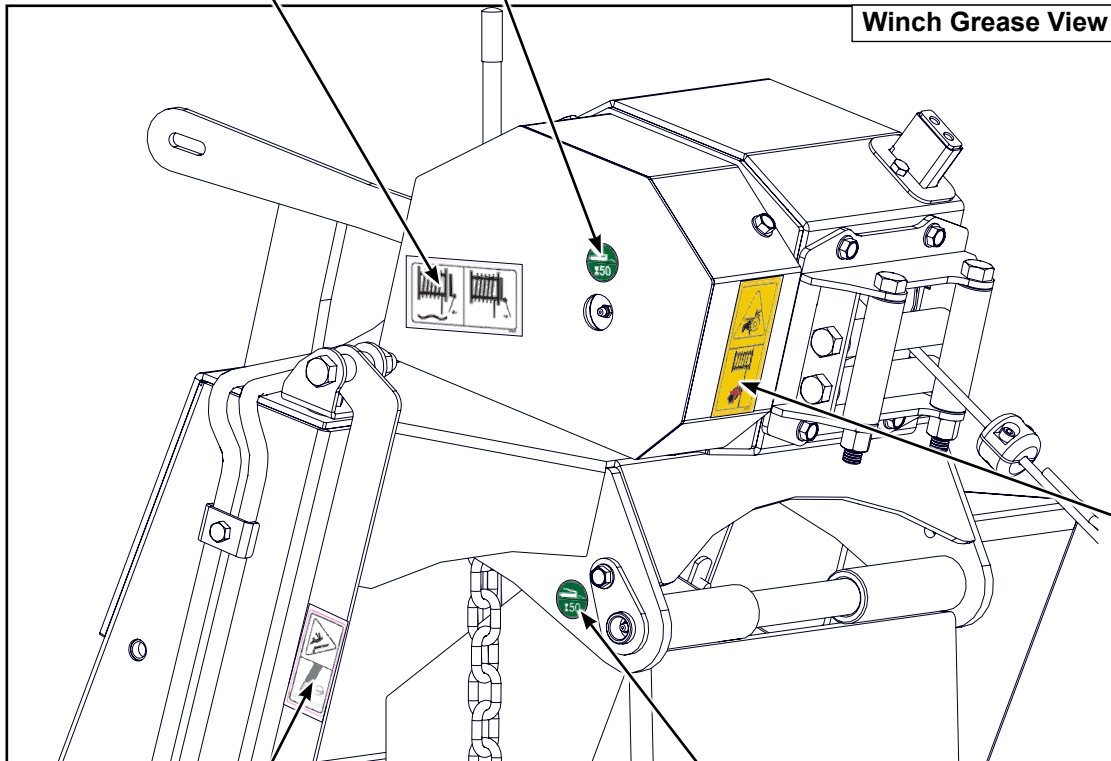


Wheel View


Z94426 x 2
1 on each side

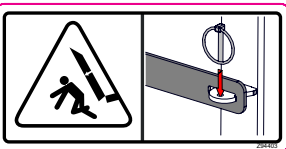

Z94402 x 1


Z94426 x 1



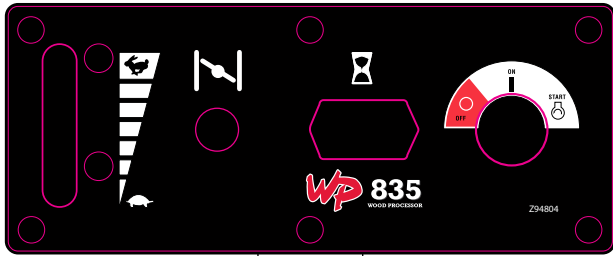
Winch Grease View


Z94243 x 1


Z94403 x 1


Z94426 x 2
1 on each side

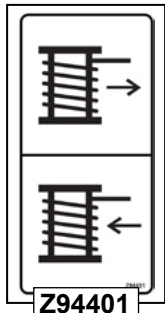
Control Panel Labels



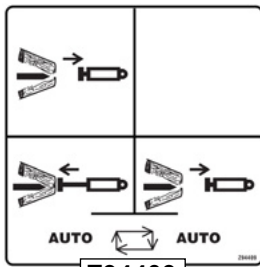
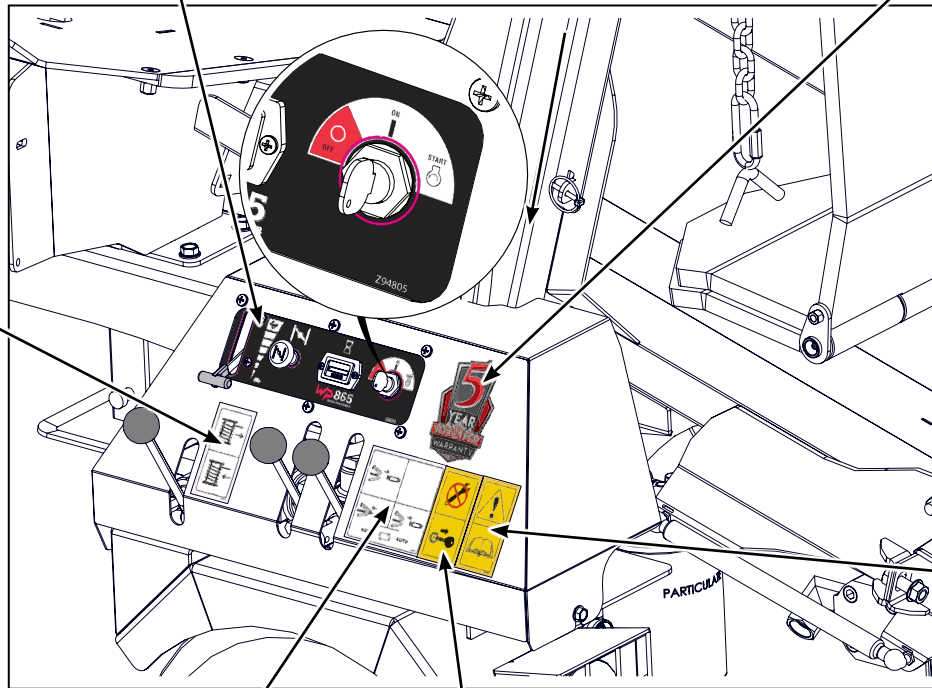
Z94805



Z94163



Z94401



Z94409



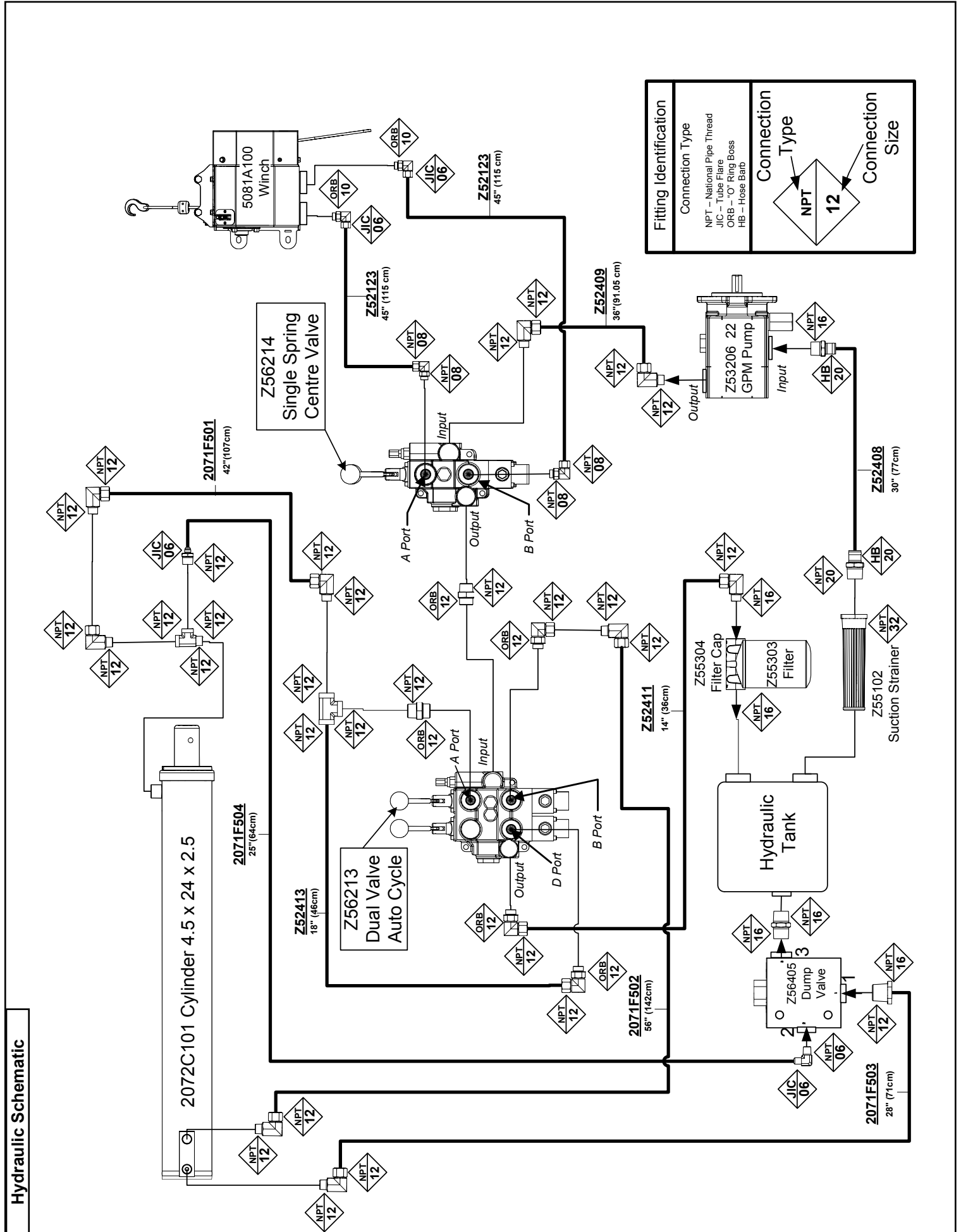
Z94228



Z94119

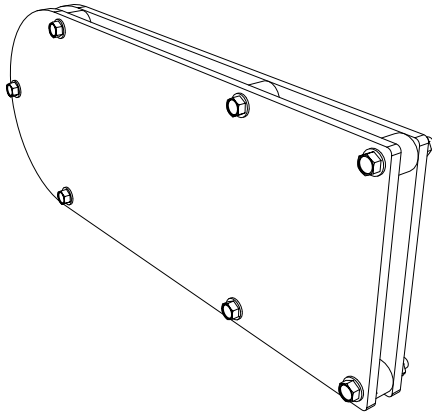
Wiring Harnesses

| Part Number | Description | Qty |
|-------------|--------------------------------------|-----|
| Z62124 | Harness, WP800 Series Engine Control | 1 |
| Z62126 | Harness, WP800 Series Lights | 1 |

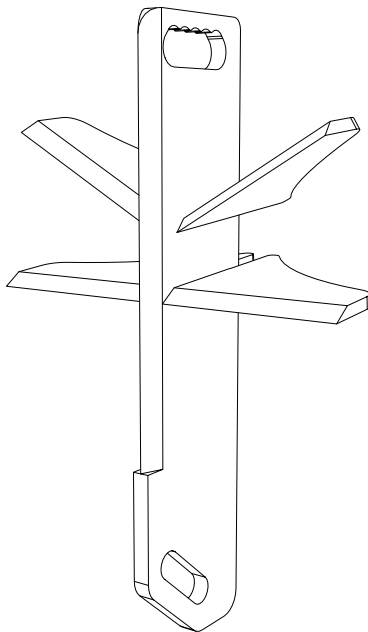


Accessories

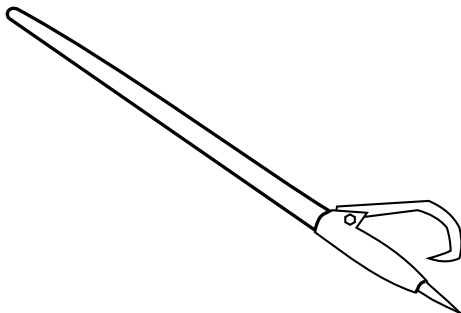
Call your dealer for pricing and availability



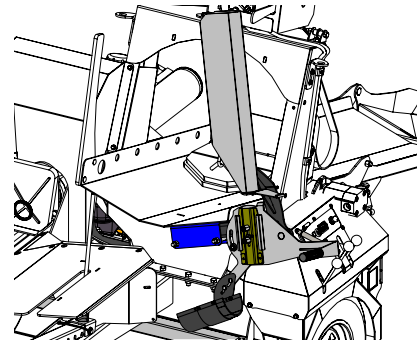
#P100 NYLON CHAINSAW HOLSTER



#P601 6-WAY WEDGE



#299001 48" LOG PEAVEY




#P200

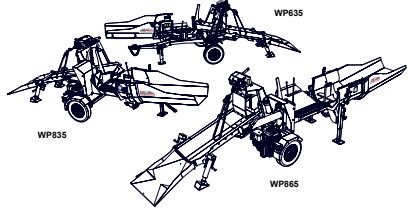
#P200 PIVOTING CHAINSAW HOLDER

For all WP Series
Easy mounting to most chain saws, the pivoting chain saw holder securely holds your saw in place allowing for easier cutting and saving time handling your chainsaw.

Available:
P210 Spare Pivoting Chainsaw Adaptor
Save time switching out chainsaws with a spare adaptor for your second chainsaw!



EMB Manufacturing Inc.
4144 Boomer Line - St. Clements, On - N0B 2M0 - Canada
Ph: (519) 699-9283 - Fax: (519) 699-4146
www.embmfg.com



**Wood Processor
MODEL WP635, WP835 & WP865
OPERATOR'S MANUAL**

Before putting the Wood Processor into service:
Do not attempt to start or operate the Wood Processor without receiving full safety training and instruction in its features, operation and maintenance. See page 4 for Pre-Delivery Procedure.

**Keep this manual with the
Wood Processor at all times**

PRINTED IN CANADA
Rev: 110215 PART NUMBER: Z97086

**#Z97086
WOOD PROCESSOR
OPERATOR'S MANUAL**

Available as a download at
www.embmfg.com