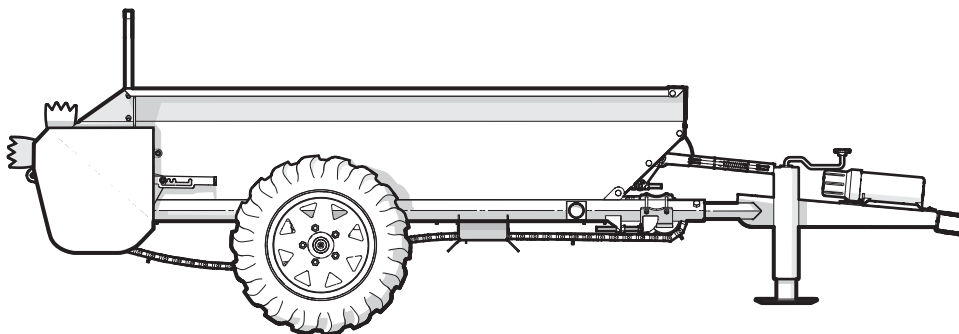


PARTS MANUAL

Serial Number 725G271 & up

MX25G MANURE SPREADER



Foreword

This Wallenstein parts manual is prepared to assist customers in ordering quality OEM replacement parts.

Regular maintenance combined with replacing old, worn or broken parts with the correct OEM parts is essential in prolonging the life of your Wallenstein product. Refer to this manual to identify replacement parts.

To order parts, contact your Wallenstein dealer or distributor. Have the product model and serial number handy.

If your dealer is no longer available, please go to our website: <http://wallensteinequipment.com> and click on the [Dealer Locator](#) to find the nearest dealer.

All information contained in this parts manual is current as per the revision date at the bottom of the page. Wallenstein reserves the right to change product specifications at any time without notice.

If your product specifications differ from those contained in this manual, contact Wallenstein for current information.

Reproduction of information in this parts manual is prohibited without prior written permission from Wallenstein Equipment Inc.

Wallenstein Equipment Inc. • © 2021

WARNING!

Refer to the operators manual for safe operation and maintenance.

Maintenance should be performed by trained personnel only.

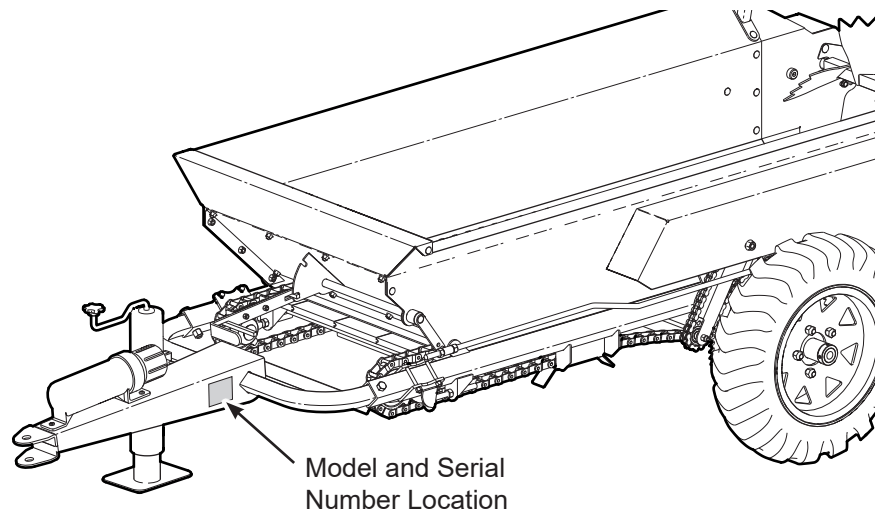
Serial Number Location

Always provide the model and serial number of your Wallenstein product when ordering parts or requesting service or other information. This information is found on the product information plate as shown below.

Record your product information here for future reference.

Model _____

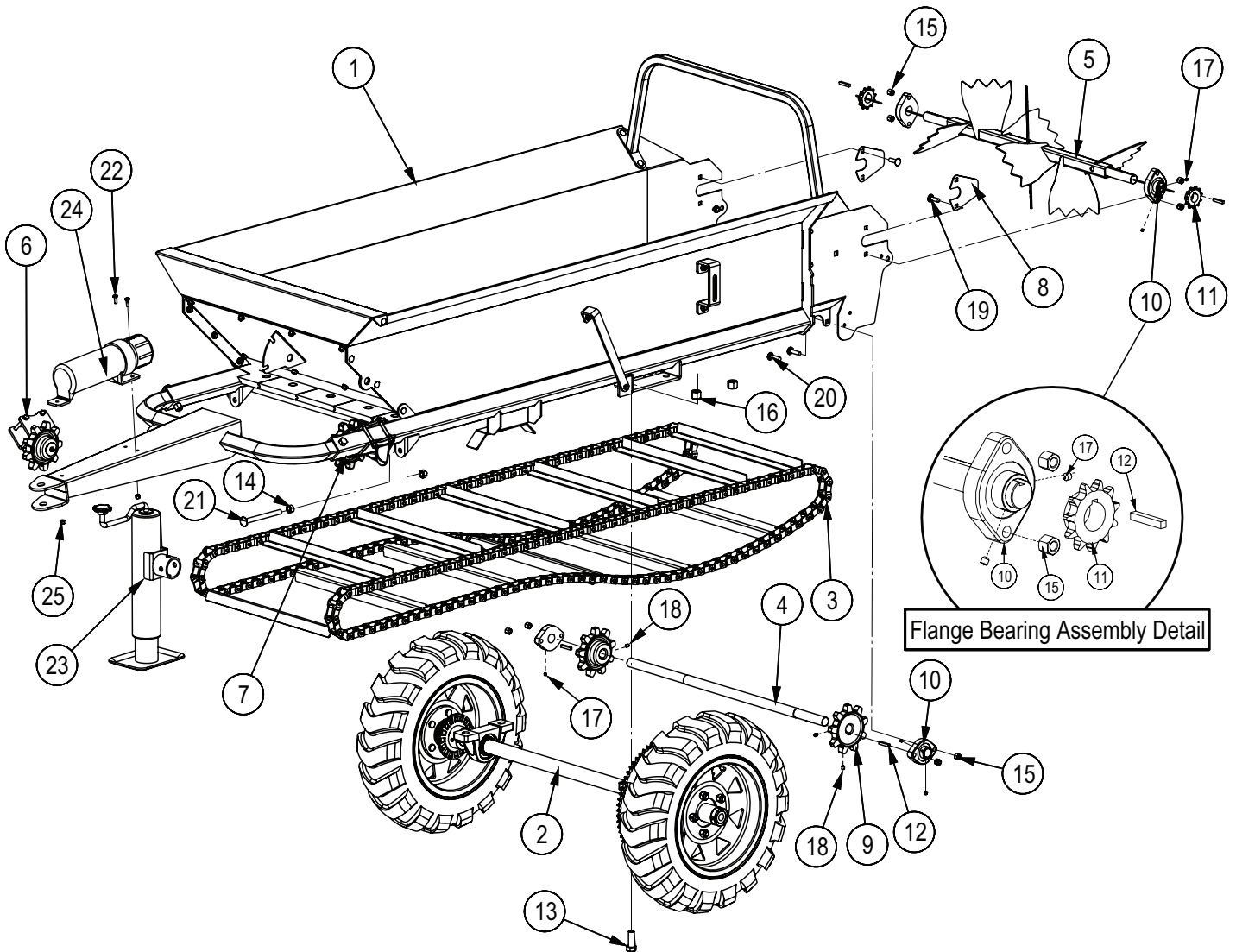
Serial Number _____



Contents

Main Parts	4
Main Box Frame Assembly	5
Apron Chain and Front Sprockets	6
Ground Drive Parts	7
Ground Drive Axle Assembly	8
Ground Drive Engagement	9
Chain Lifter Assembly	10
Pillow Block Detail	10
Apron Chain Ratchet Parts	11
Apron Ratchet Drive Mechanism Detail	12
Engagement Handle Assembly	13
Decal Layout	14
Accessories	16
Bolt Torque	17
Wheel Lug Torque	18

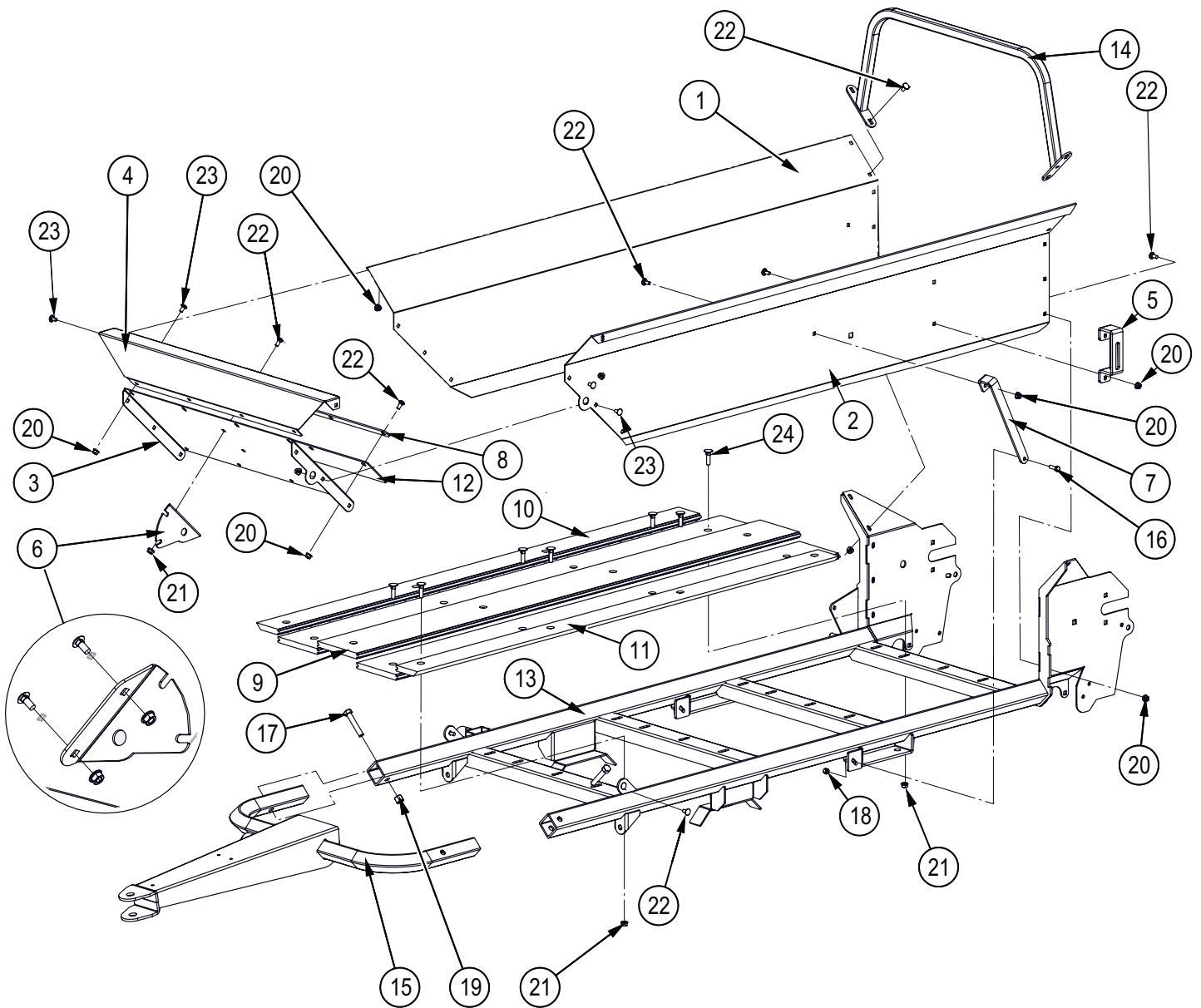
Main Parts



Item No.	Part No.	Description	Qty
1	7011A100	Assembly, Main Box	1
2	7011A102	Assembly, Ground Drive Axle	1
3	7011A106	Assembly, Apron Chain 662	1
4	7011M300	Shaft, Rear Apron Drive	1
5	7011W101	Beater Bar	1
6	7015A505	Assy, Front Apron Sprocket RH	1
7	7015A506	Assy, Front Apron Sprocket LH	1
8	7015L560	Plate, Beater Bar Capture	2
9	7015M501	Sprocket, Apron Chain Rear	2
10	Z25102	2-Bolt Flange Bearing, SBFD205-16	4
11	Z42803	Sprocket, #50 x 11 x 1"	2
12	Z46532	Key, 1/4" x 1/4" x 1-1/2"	4
13	Z71617	Hex Bolt, 5/8NC x 1-3/4"	4

Item No.	Part No.	Description	Qty
14	Z72151	Hex Nut, 1/2NC	4
15	Z72231	Hex Lock Nut, 3/8NC	8
16	Z72261	Hex Lock Nut, 5/8NC	4
17	Z74112	Set Screw, 1/4NF x 1/4"	8
18	Z74121	Set Screw, 5/16NC x 3/8"	4
19	Z76237	Carriage Bolt, 3/8NC x 1-1/4"	4
20	Z76239	Carriage Bolt, 3/8NC x 1-1/2"	4
21	Z76254	Carriage Bolt, 1/2NC x 5-1/2"	2
22	Z78301	Machine Screw, 1/4NC x 3/4"	3
23	Z91513	Trailer Jack, Top Wind x 2000lbs	1
24	Z96503	Manual Tube, 3-1/2" Short	1
25	Z72211	Hex Lock Nut, 1/4NC	3

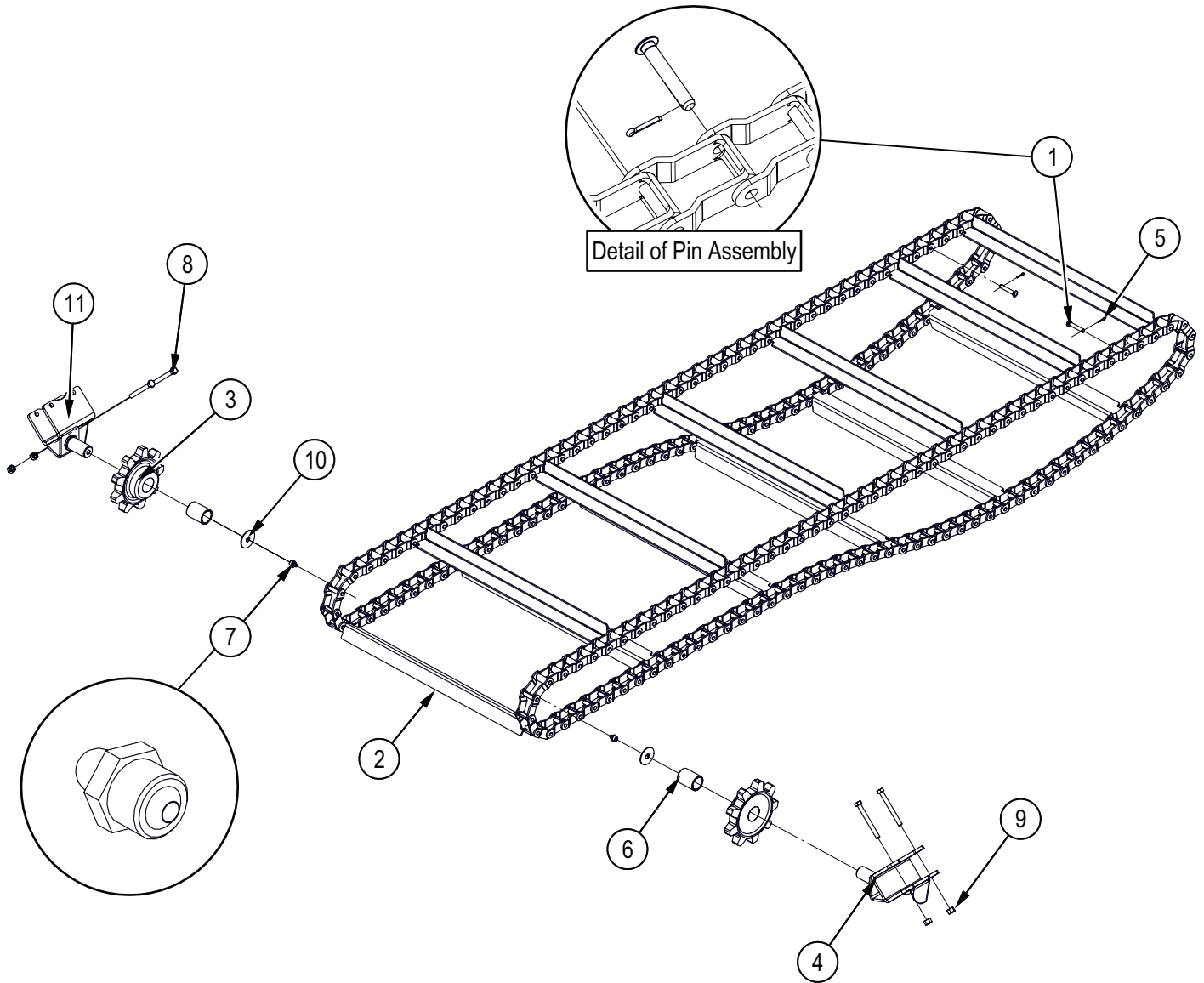
Main Box Frame Assembly



Item No.	Part No.	Description	Qty
1	7011L101	Side, RH Box	1
2	7011L102	Side, LH Box	1
3	7011L105	Front, Box	1
4	7011L106	Rim, Front	1
5	7011L117	Mount, Tensioner Bearing	1
6	7011L141	Base, Ground Drive Engage	1
7	7011L149	Guide, Chain Lifter	1
8	7011L161	Clamp, Floor Seal	1
9	7011S105	Floorboard, Full	3
10	7011S106	Floorboard, RH	1
11	7011S107	Floorboard, LH	1
12	7011S113	Floor Seal	1
13	7011W102	Main Frame	1

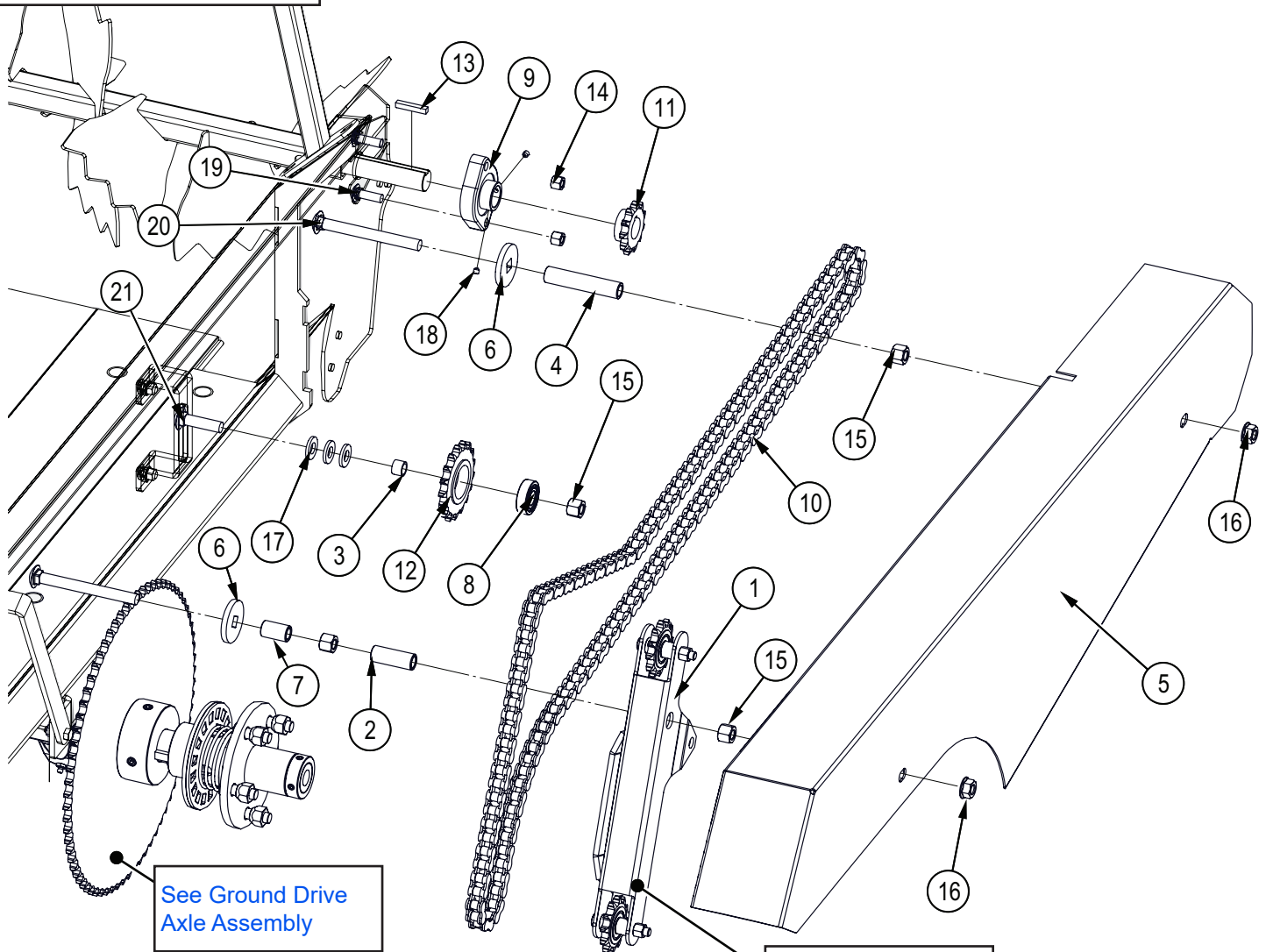
Item No.	Part No.	Description	Qty
14	7011W106	Stiffener, Frame	1
15	7011W107	Frame, Hitch	1
16	Z71210	Hex Bolt, 5/16NC x 1"	1
17	Z71527	Hex Bolt, 1/2NC x 2-3/4"	2
18	Z72221	Hex Lock Nut, 5/16NC	1
19	Z72251	Hex Lock Nut, 1/2NC	2
20	Z72521	Serrated Flange Locknut, 5/16NC	29
21	Z72531	Serrated Flange Locknut, 3/8NC	22
22	Z76221	Carriage Bolt, 5/16NC x 3/4"	21
23	Z76226	Carriage Bolt, 5/16NC x 5/8"	10
24	Z76631	Plow Bolt, 3/8NC x 1-1/2"	20

Apron Chain and Front Sprockets



Item No.	Part No.	Description	Qty
1	7011M302	Pin, 662 Chain Clevis	2
2	7011S116	Chain, Apron 662, 93 Links	1
3	7015M519	Sprocket, Apron Chain Front	2
4	7015W508	Beater Bar, PTO Drive	1
5	Z12304	Cotter Pin, 3/32" x 1/2"	2
6	Z26301	Bronze Bushing, 1" ID x 1-1/4" OD x 1-5/8" Long	2
7	Z29201	Grease Fitting, MP02	2
8	Z71230	Hex Bolt, 5/16NC x 3"	4
9	Z72221	Hex Lock Nut, 5/16NC	4
10	Z73232	Extra Wide Washer, 3/8"	2
11	7015W507	Bracket, Front Sprocket RH	1

Ground Drive Parts

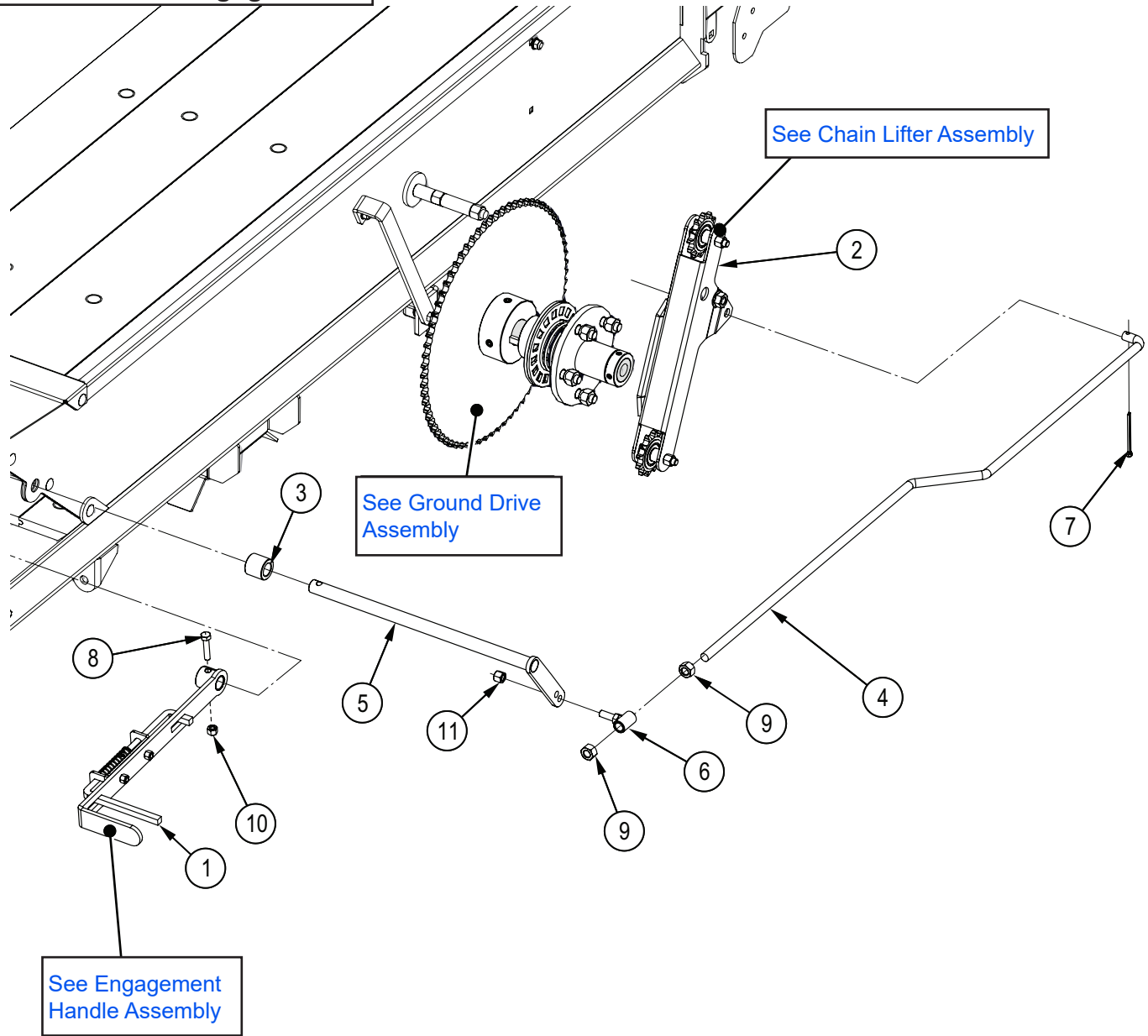


See Ground Drive Axle Assembly

See Chain Lifter Assembly

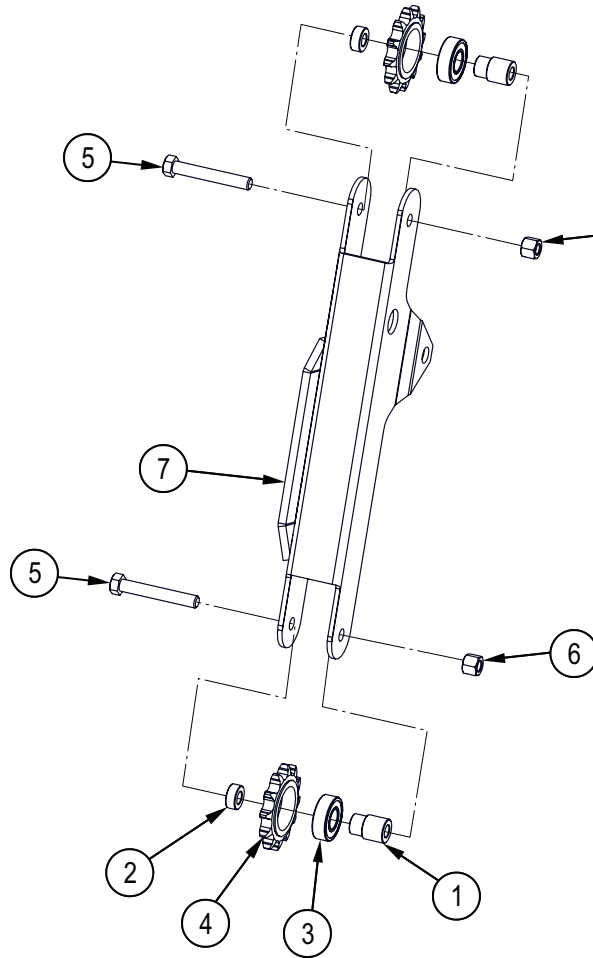
Item No.	Part No.	Description	Qty
1	7011A103	Assembly, Chain Lifter	1
2	7011M105	Spacer, 2"	1
3	7011M124	Bushing, Sprocket Bearing	1
4	7011M165	Spacer, Rear Shield	1
5	7011W112	Guard, Ground Drive	1
6	7014L458	Washer, Square Head	2
7	7014M460	Spacer, 1-1/4	1
8	Z21206	Ball Bearing, 6203-2RS	1
9	Z25102	2-Bolt Flange Bearing, SBFD205-16	1
10	Z42142	Roller Chain, #50 x 80	1
11	Z42803	Sprocket, #50 x 11 x 1"	1
12	Z42810	Sprocket, #50 x 17 x 1.575"	1
13	Z46532	Key, 1/4" x 1/4" x 1-1/2"	1
14	Z72231	Hex Lock Nut, 3/8NC	2
15	Z72251	Hex Lock Nut, 1/2NC	4
16	Z72551	Serrated Flange Locknut, 1/2NC	2
17	Z73151	SAE Washer, 1/2"	3
18	Z74112	Set Screw, 1/4NF x 1/4"	2
19	Z76237	Carriage Bolt, 3/8NC x 1-1/4" Extra Short Neck	2
20	Z76253	Carriage Bolt, 1/2NC x 5" Full Threads	2
21	Z76255	Carriage Bolt, 1/2NC x 2"	1

Ground Drive Engagement



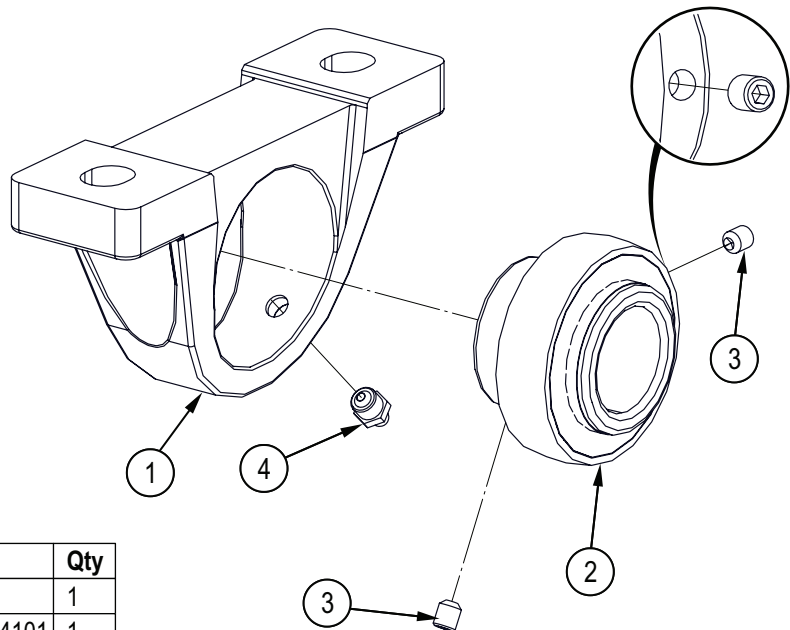
Item No.	Part No.	Description	Qty
1	7011A101	Assy, Engagement Handle	1
2	7011A103	Assembly, Chain Lifter	1
3	7011M159	Engaging Shaft Spacer	1
4	7011S114	Rod, Connecting	1
5	7011W105	Rod, Drive Engagement	1
6	7014W458	Joint, Engagement Linkage	1
7	Z12323	Cotter Pin, 3/16" x 2-1/2"	1
8	Z71215	Hex Bolt, 5/16NC x 1-1/2"	1
9	Z72151	Hex Nut, 1/2NC	2
10	Z72221	Hex Lock Nut, 5/16NC	1
11	Z72231	Hex Lock Nut, 3/8NC	1

Chain Lifter Assembly



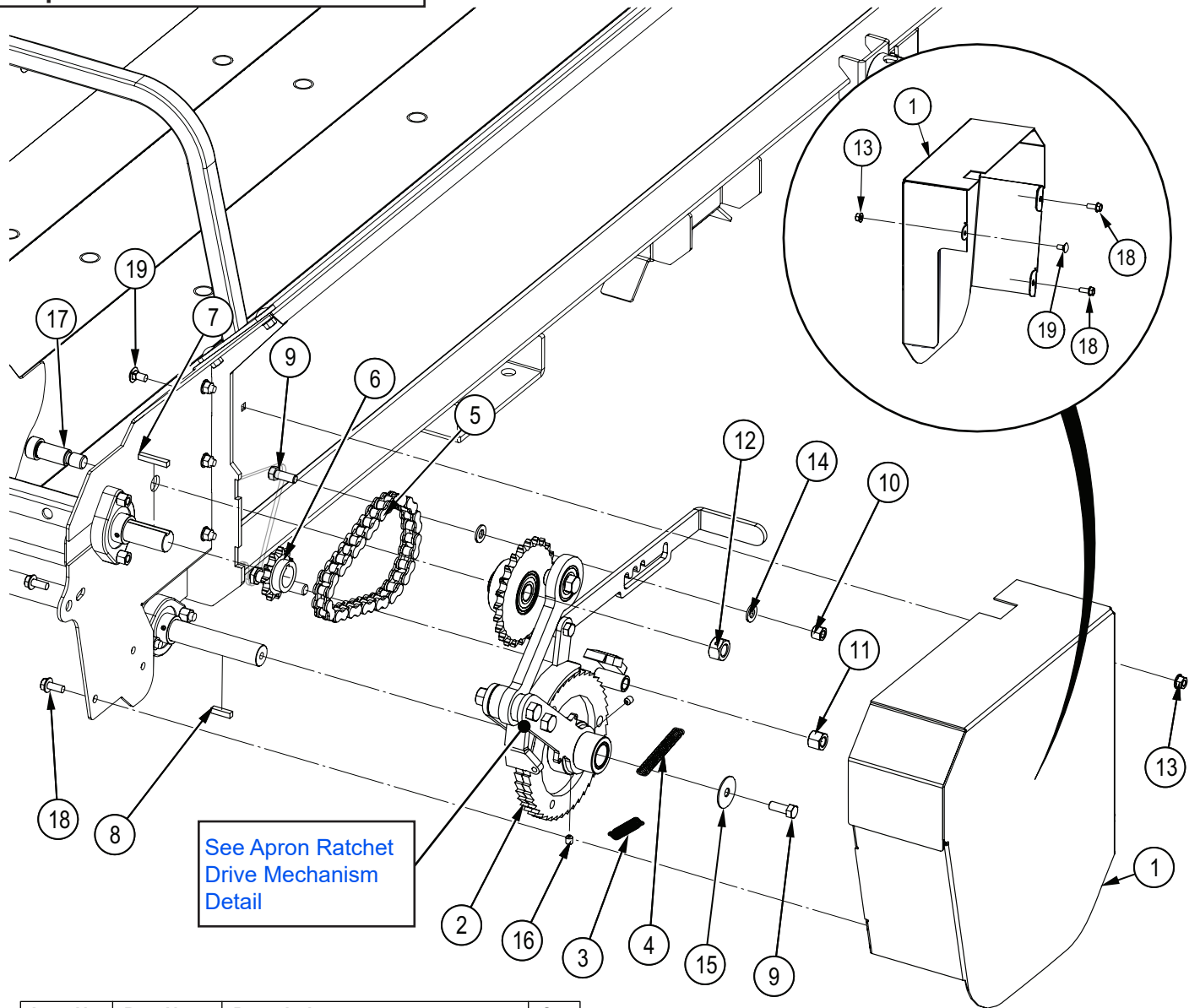
Item No.	Part No.	Description	Qty
1	7011M122	Hub, Sprocket Bearing	2
2	7011M160	Spacer	2
3	Z21207	Ball Bearing, 99502HS	2
4	Z42809	Sprocket, #50 x 12 x 1-3/8"	2
5	Z71325	Hex Bolt, 3/8NC x 2-1/2"	2
6	Z72231	Hex Lock Nut, 3/8NC	2
7	7011W111	Lifter, Chain	1

Pillow Block Detail



Item No.	Part No.	Description	Qty
1	Z24101-1	Housing, P208 for Z24101	1
2	Z24101-2	Bearing Insert, UC208-24 for Z24101	1
3	Z74122	Set Screw, 5/16NF x 3/8"	2
4	Z29201	Grease Fitting, MP02	1

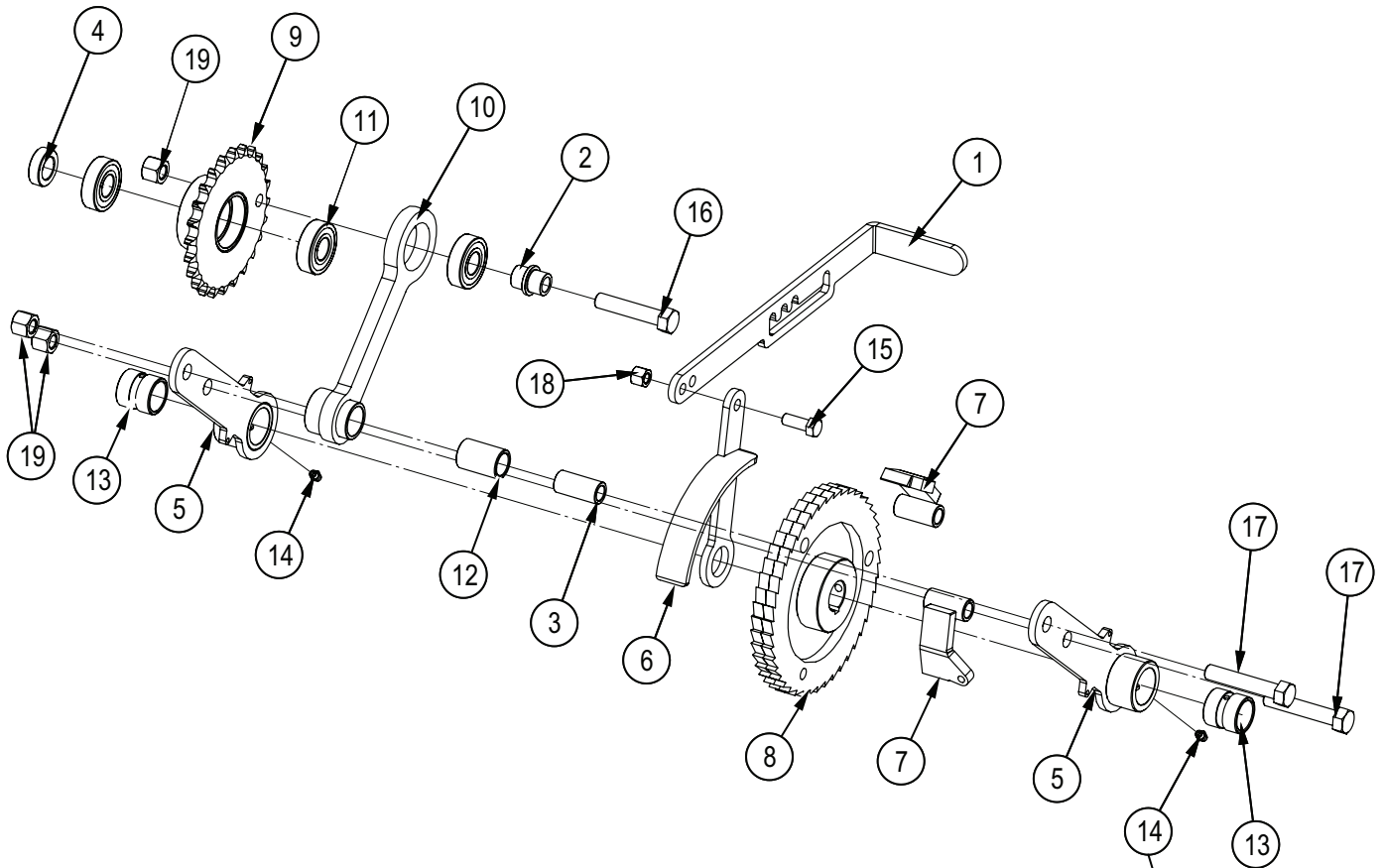
Apron Chain Ratchet Parts



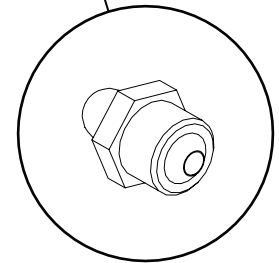
See Apron Ratchet Drive Mechanism Detail

Item No.	Part No.	Description	Qty
1	7011W110	Ratchet Sheild	1
2	7015A507	Apron Ratchet Drive Mechanism	1
3	Z31201	Ext Spring, 1/2" OD x 1-1/2" x .048"	1
4	Z31304	Ext Spring, 1/2" OD x 2-1/2" x .063"	1
5	Z42143	Roller Chain, #50 x 16	1
6	Z42803	Sprocket, #50 x 11 x 1"	1
7	Z46532	Key, 1/4" x 1/4" x 1-1/2"	1
8	Z46533	Key, 1/4" x 1/4" x 1"	1
9	Z71310	Hex Bolt, 3/8NC x 1"	2
10	Z72231	Hex Lock Nut, 3/8NC	1
11	Z72251	Hex Lock Nut, 1/2NC	1
12	Z72263	Hex CTR-lock Nut, 5/8NC	1
13	Z72521	Serrated Flange Locknut, 5/16NC	1
14	Z73131	SAE Washer, 3/8"	2
15	Z73232	Extra Wide Washer, 3/8"	1
16	Z74121	Set Screw, 5/16NC x 3/8"	2
17	Z75571	Shoulder Bolt, 3/4" x 1-1/2"	1
18	Z76121	Flange Bolt, 5/16NC x 3/4"	2
19	Z76222	Carriage Bolt, 5/16NC x 5/8"	1

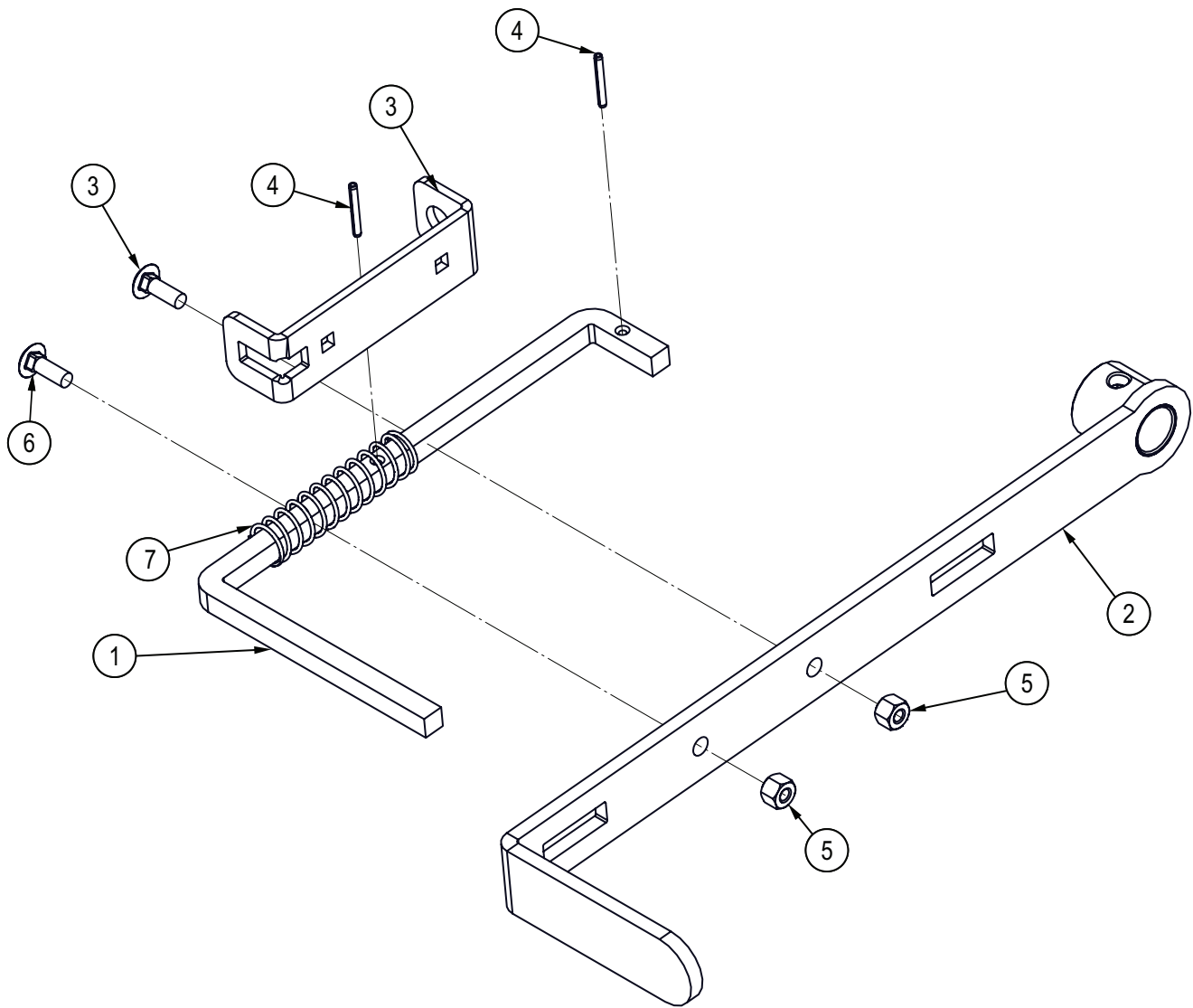
Apron Ratchet Drive Mechanism Detail



Item No.	Part No.	Description	Qty
1	7015L524	Handle, Ratchet Speed Set	1
2	7015M512	Flange Bushing	1
3	7015M514	Bushing, Link Arm Bolt	1
4	7015M517	Bolt Spacer	1
5	7015W510	Arm, Apron Ratchet Drive	2
6	7015W511	Slide, Speed Adjuster	1
7	7015W512	Dog, Ratchet	2
8	7015W513	Ratchet, Apron Drive	1
9	7015W514	#50 24Tooth Sprocket Hub	1
10	7015W515	Arm, Ratchet Drive Link	1
11	Z21204	Ball Bearing, 1635-2RS x Self Aligning	3
12	Z26201	Bronze Bushing, 3/4" ID x 1" OD x 1-1/2" Long	1
13	Z26303	Bronze Bushing, 1" ID x 1-1/4" OD x 1-1/4" Long Grooved OD	2
14	Z29202	Grease Fitting, 1/4NF	2
15	Z71310	Hex Bolt, 3/8NC x 1"	1
16	Z71525	Hex Bolt, 1/2NC x 2-1/2"	1
17	Z71527	Hex Bolt, 1/2NC x 2-3/4"	2
18	Z72231	Hex Lock Nut, 3/8NC	1
19	Z72251	Hex Lock Nut, 1/2NC	3



Engagement Handle Assembly

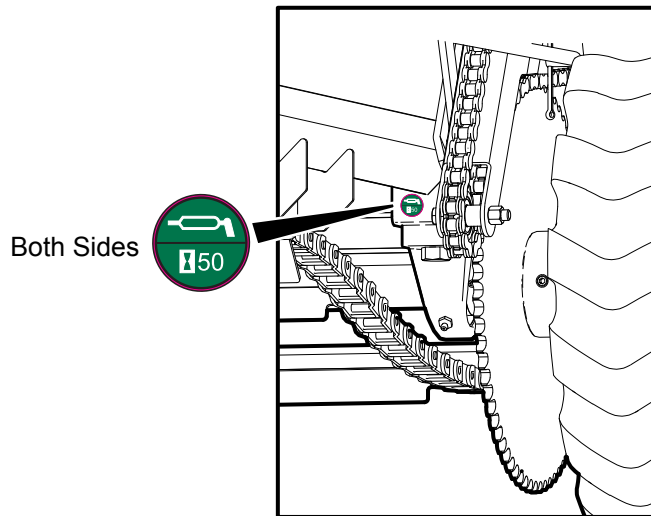
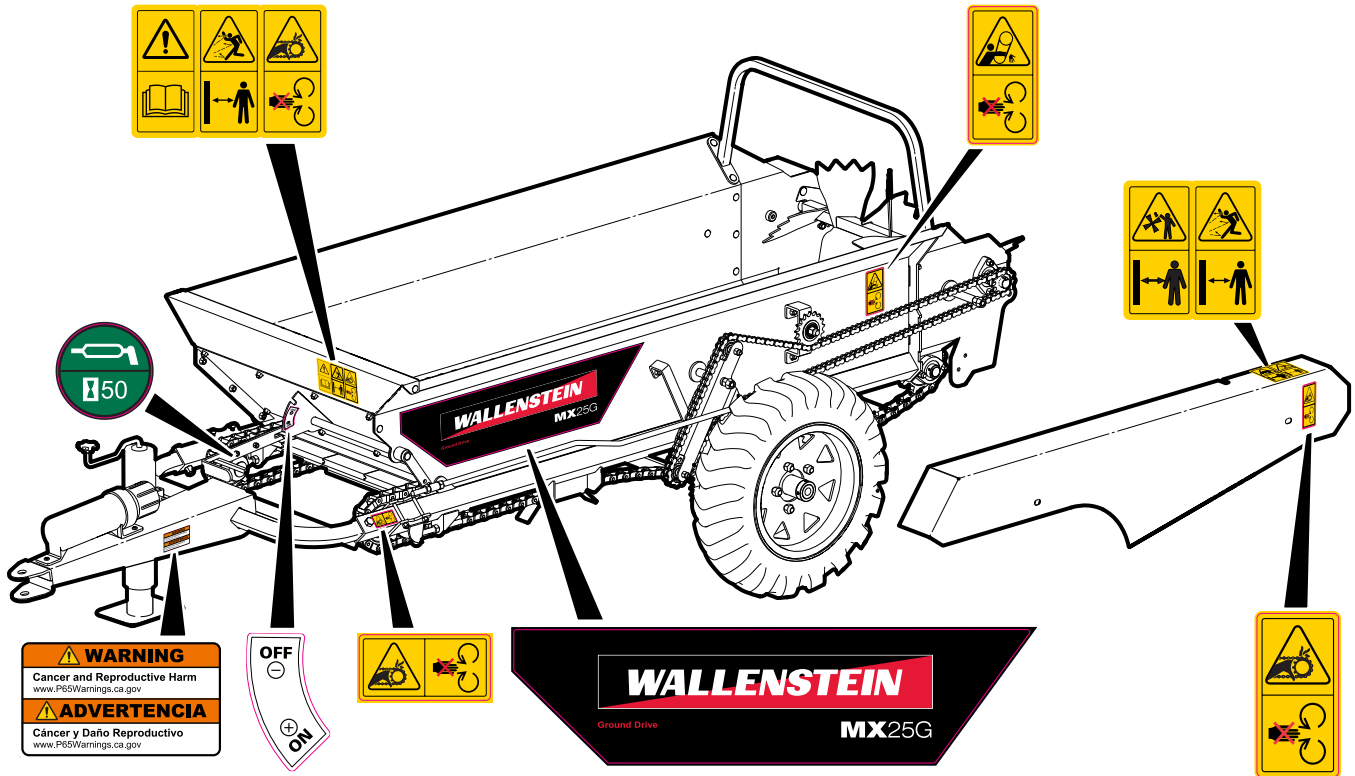


Item No.	Part No.	Description	Qty
1	7011S103	Latch Rod	1
2	7011W104	Engaging Lever	1
3	7014L465	Engaging Arm Guide	1
4	Z14131	Roll Pin, 1/8" x 1"	2
5	Z72211	Hex Lock Nut, 1/4NC	2
6	Z76211	Carriage Bolt, 1/4NC x 3/4"	2
7	Z32301	Comp Spring, 0.720" OD x 3" x 0.063"	1

Decal Layout

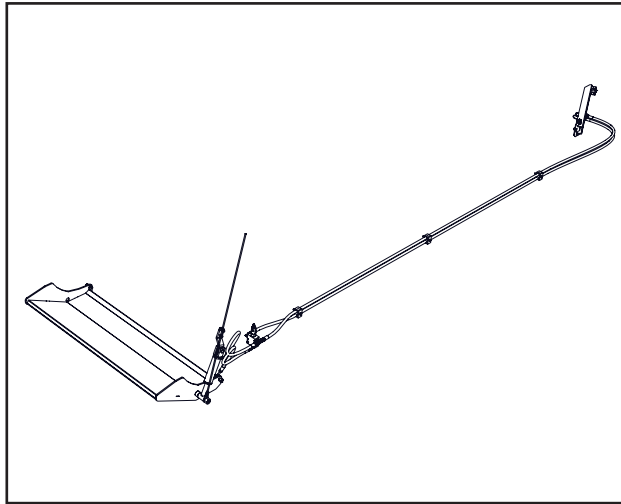
IMPORTANT! If parts are replaced that have safety signs on them, new signs must be applied. Safety signs must always be replaced if they become damaged, are removed, or become illegible.

Safety signs are included in the product decal kit available from your authorized dealer. Decals are not available separately.



Accessories

Call your dealer for pricing and availability

**FINES PAN P/N – M7550**

The Fines Pan kit provides a more consistent spread of manure by causing all material to be discharged by the beater paddles.

Kit consists of fines pan and hardware.

Must be dealer installed.


Bolt Torque

Checking Bolt Torque

The tables shown give correct torque values for various bolts and capscrews. Tighten all bolts to the torque values specified in the table, unless indicated otherwise. Check tightness of bolts periodically.

IMPORTANT! If replacing hardware, use fasteners of the same grade.

IMPORTANT! Torque figures indicated in the table are for non-greased or non-oiled threads. Do not grease or oil threads unless indicated otherwise. When using a thread locker, increase torque values by 5%.

 **NOTE:** Bolt grades are identified by their head markings.

Imperial Bolt Torque Specifications

Bolt Diameter	Torque Value					
	SAE Gr. 2		SAE Gr. 5		SAE Gr. 8	
	lbf•ft	N•m	lbf•ft	N•m	lbf•ft	N•m
1/4"	6	8	9	12	12	17
5/16"	10	13	19	25	27	36
3/8"	20	27	33	45	45	63
7/16"	30	41	53	72	75	100
1/2"	45	61	80	110	115	155
9/16"	60	95	115	155	165	220
5/8"	95	128	160	215	220	305
3/4"	165	225	290	390	400	540
7/8"	170	230	420	570	650	880
1"	225	345	630	850	970	1320



SAE Gr. 2



SAE Gr. 5



SAE Gr. 8

Metric Bolt Torque Specifications

Bolt Diameter	Torque Value			
	Gr. 8.8		Gr. 10.9	
	lbf•ft	N•m	lbf•ft	N•m
M3	0.4	0.5	1.3	1.8
M4	2.2	3	3.3	4.5
M6	7	10	11	15
M8	18	25	26	35
M10	37	50	52	70
M12	66	90	92	125
M14	83	112	116	158
M16	166	225	229	310
M20	321	435	450	610
M30	1,103	1 495	1,550	2 100



8.8




10.9

Wheel Lug Torque

It is extremely important safety procedure to apply and maintain proper wheel mounting torque on your trailer axle. Torque wrenches are the best method to assure the proper amount of torque is being applied to a fastener.

Wheel lugs should be torqued before first road use and after each wheel removal. Check and re torque after the first 10 miles (16 km), 25 miles (40 km), and again at 50 miles (80 km). Check periodically thereafter.

 **NOTE:** *Wheel lugs must be applied and maintained at the proper torque levels to prevent loose wheels, broken studs, and possible dangerous separation of wheels from your axle.*

- Start all lugs by hand to prevent cross threading.
- Tighten lugs in sequence, per wheel lug torque sequence chart.
- The tightening of the fasteners should be done in stages. Following the recommended sequence, tighten fasteners per wheel torque requirements chart.

Wheel Lug Nut Torque

Wheel Size	Units	1st Stage	2nd Stage	3rd Stage
8"	lbf•ft N•m	12–20 16–26	30–35 39–45.5	45–55 58.5–71.5
12"	lbf•ft N•m	20–25 26–32.5	35–40 45.5–52	50–60 65–78
13"	lbf•ft N•m	20–25 26–32.5	35–40 45.5–52	50–60 65–78
14"	lbf•ft N•m	20–25 26–32.5	50–60 65–78	90–120 117–156
15"	lbf•ft N•m	20–25 26–32.5	50–60 65–78	90–120 117–156
16"	lbf•ft N•m	20–25 26–32.5	50–60 65–78	90–120 117–156

Wheel Lug Torque Pattern

