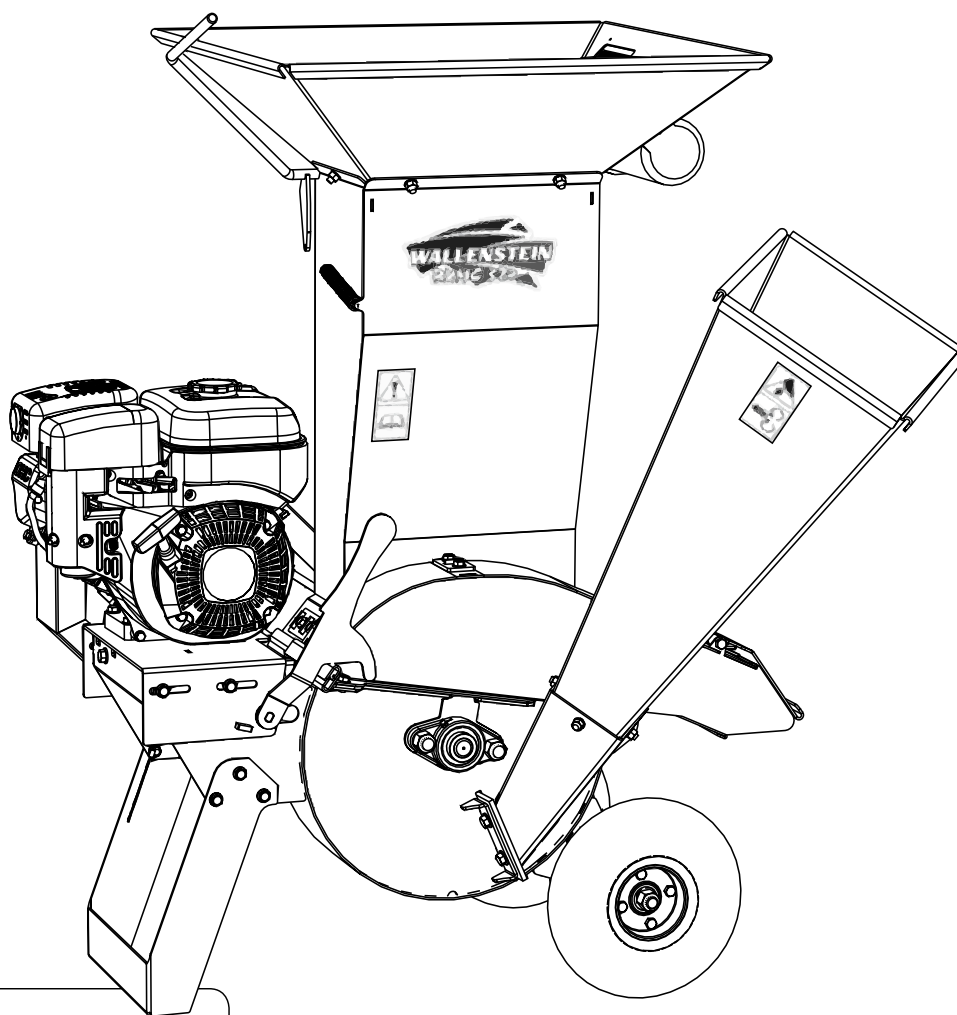




EMB Manufacturing Inc.
4144 Boomer Line · St. Clements, On · N0B 2M0 · Canada
Ph: (519) 699-9283 · Fax: (519) 699-4146
www.embmfg.com

BXMC32B Chipper - Shredder Parts Manual

Starting with S/N 1MC32B1 to 1MC32B31



Refer to the operators
manual for safe opera-
tion and maintainance

Table of Contents

DRIVE TRAIN.....	3
UPPER ROTOR ASSEMBLY	4
LOWER ROTOR ASSEMBLY	5
LABEL LAYOUT.....	6
ACCESSORIES.....	7

Foreword

EMB Mfg. has prepared this parts manual to assist customers in ordering quality OEM replacement parts.

Proper and regular service and replacing old, worn or broken parts with the correct OEM parts are essential to prolonging the life of your EMB product. Please refer to this manual before ordering any replacement parts.

All information contained in this parts manual is based on the latest product specification available at the time of printing this manual. If your product differs from the specifications contained within this manual contact EMB Mfg. for information.

EMB reserves the right to alter specifications on their products at any time.

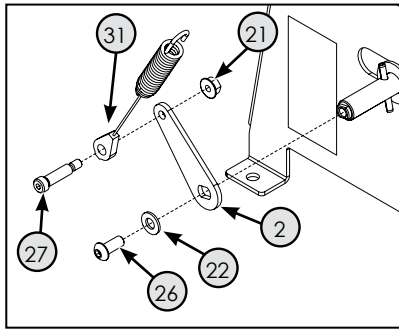
Reproduction of this parts manual of any kind is prohibited without prior written permission from EMB Mfg.



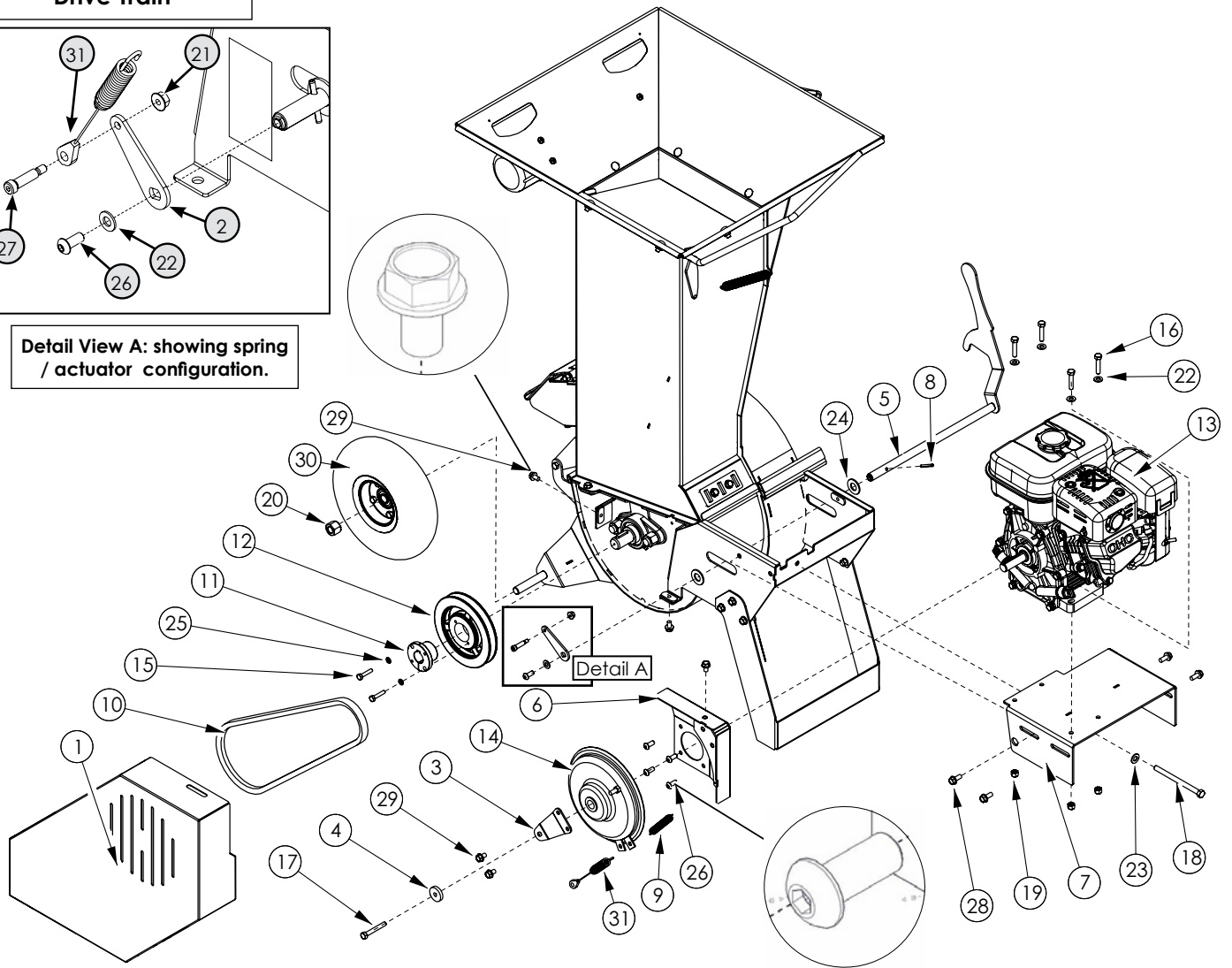
Refer to the operators manual for safe operation and maintenance

For parts and information please contact your dealer. If your dealer is no longer available please go to our website: <http://www.embmfg.com> and click on "FIND A DEALER NEAR YOU" for information on a local dealer.

Drive Train

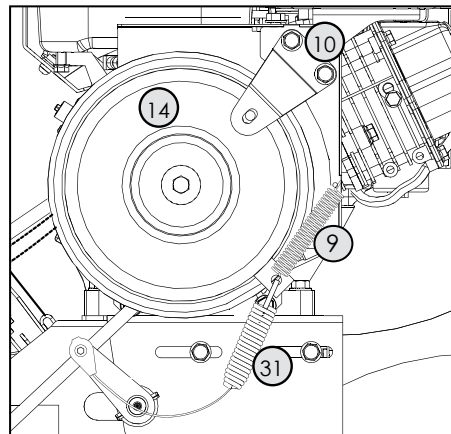


Detail View A: showing spring / actuator configuration.



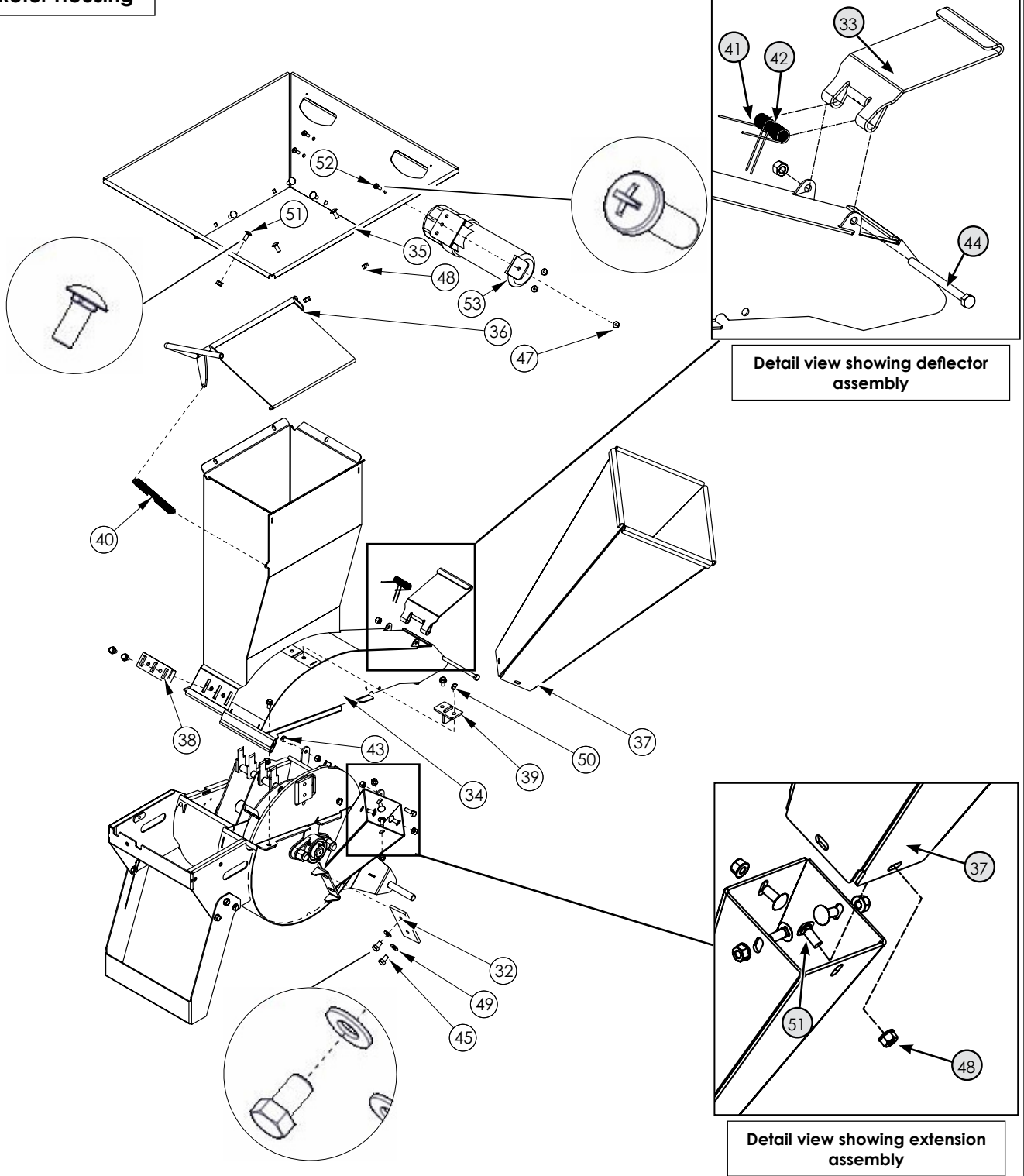
BOM ID	SW Component Name	Description	Qty
1	1073L233	Belt Shield	1
3	1073L250	Clutch Keep	1
4	1073L255	Trap Washer	1
5	1073W121	Clutch Actuator	1
6	1073W124	Shield Mount Weldment	1
7	1073W127	Engine Base	1
8	Z14151	Roll Pin, 3/16 x 1-1/2	1
9	Z31304	Spring 1/2 x 2-1/2 x .063	1
10	Z41161	Belt, B42	1
11	Z41510	"L" Bushing 1" Bore	1
12	Z41609	"B" Sheave, 6.25" Pitch	1
13	Z47714	Subaru SP210 7hp Engine	1
14	Z49301	Brake Clutch CB167	1
15	Z71112	Hex Bolt, 1/4NC x 1-1/4	2
16	Z71215	Hex Bolt, 5/16NC x 1-1/2	4

BOM ID	SW Component Name	Description	Qty
17	Z71277	Hex Bolt, 5/16NF x 2-1/4	1
18	Z71390FT	Hex Bolt, 3/8NC x 5 Full Threads	1
19	Z72221	Hex Lock Nut, 5/16NC	4
20	Z72261	Hex Lock Nut, 5/8NC	2
22	Z73122	Flat Washer, 5/16	5
23	Z73131	Flat Washer, 3/8	1
24	Z73161	Flat Washer, 5/8	2
25	Z73311	Lock Washer, 1/4	2
26	Z75351	Button Head Cap Screw, 5/16NF x 3/4	5
28	Z76121	Flange Bolt, 5/16NC x 3/4	4
29	Z76122	Flange Bolt, 5/16NC x 1/2	5
30	Z91307	NHS Tire 4.10-3.50-4 LRB	2
31	Z92117	Clutch Actuator Cable	1



Detail view showing spring / brake clutch configuration.

Upper Rotor Housing



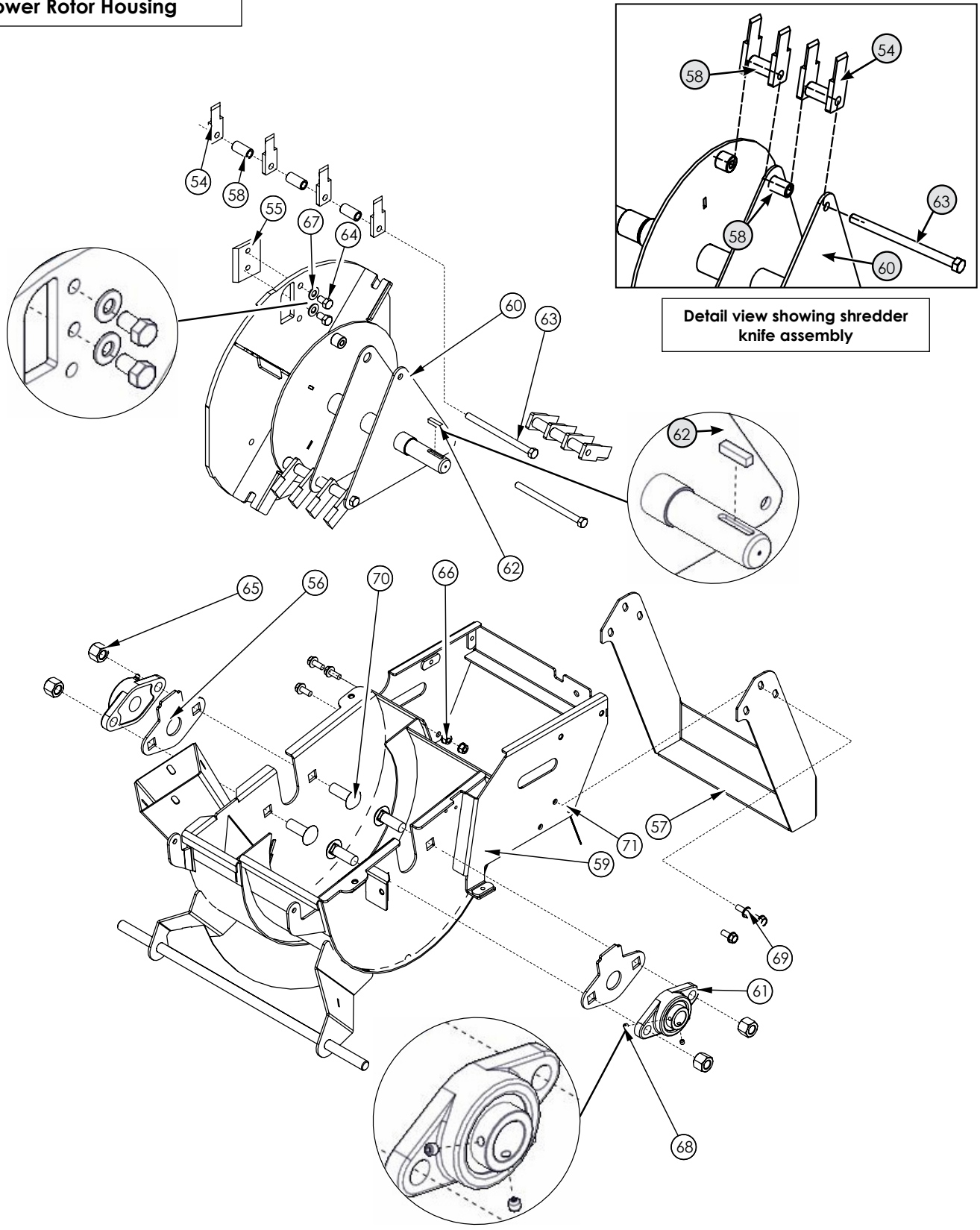
Detail view showing deflector assembly

Detail view showing extension assembly

BOM ID	SW Component Name	Description	Qty
32	1056M304	Knife, 3" Ledger	1
34	1073W104	Weldment, Upper Housing	1
35	1073W106	Hopper	1
36	1073W107	Flap, Hopper	1
37	1073W112	Extension Weldment	1
38	1073W125	Chop Block	1
39	1073W126	Twig Breaker	1
40	Z31301	Spring 17mm x 140mm Medium	1
43	Z71210	Hex Bolt, 5/16NC x 1	2

BOM ID	SW Component Name	Description	Qty
45	Z71372G8	Hex Bolt, 3/8NF x 5/8 G8	2
47	Z72511	Hex Flange Nut, 1/4NC	3
48	Z72521	Flange Nut 5/16NC	10
49	Z73131	Flat Washer, 3/8	2
50	Z76122	Flange Bolt, 5/16NC x 1/2	6
51	Z76221	Carriage Bolt, 5/16NC x 3/4	10
52	Z78301	Machine Screw, 1/4-20NC x 3/4	3
53	Z96503	Manual Tube 3-1/2 Short	1

Lower Rotor Housing



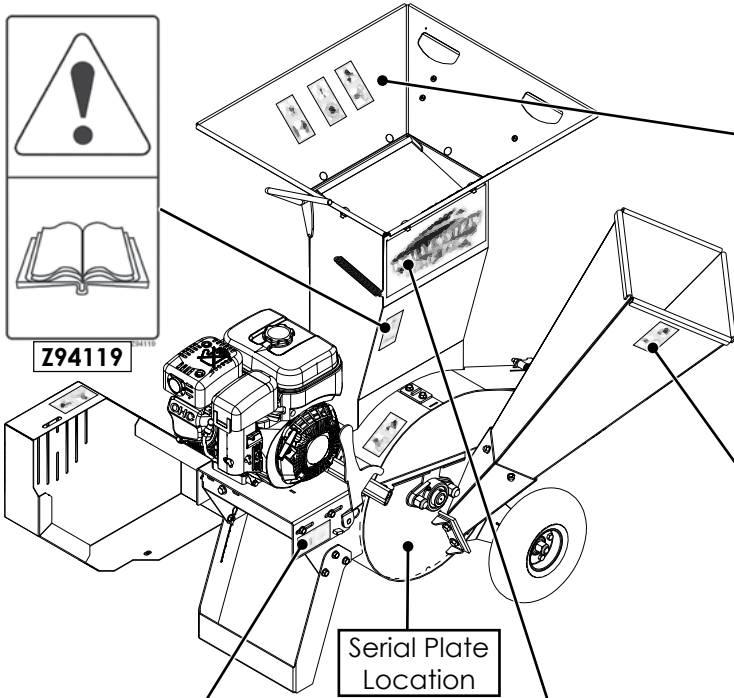
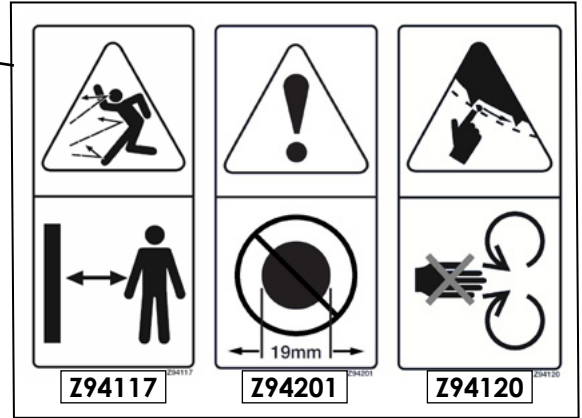
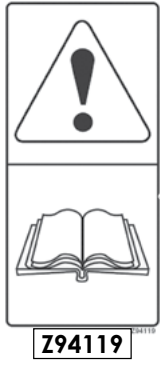
Detail view showing shredder knife assembly

ITEM	PART NO.	DESCRIPTION	QTY
54	1056M108	Knife, Shredder	12
55	1056M303	Knife, 3" Rotor	2
56	1073L216	Bearing Cover Plate	2
57	1073L239	Front Leg	1
58	1073M104	Spacer, Shredder 1.25	9
59	1073W102	Weldment, Bottom Housing	1
60	1073W103	Rotor	1

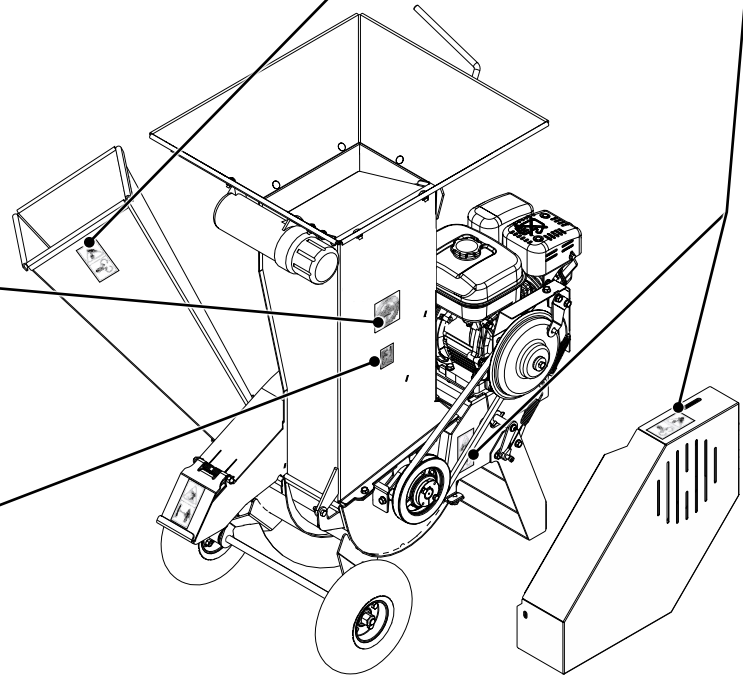
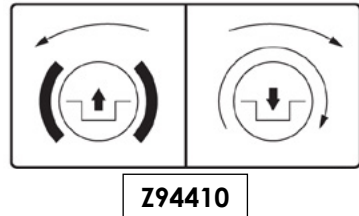
ITEM	PART NO.	DESCRIPTION	QTY
61	Z25101	FL 2-Bolt Flange Bearing 1"	2
62	Z46533	Key, 1/4 x 1/4 x 1	1
63	Z71355G8	Hex Bolt, 3/8-16 x 5-1/2 G8	3
64	Z71372G8	Hex Bolt, 3/8NF x 5/8 G8	4
65	Z72261	Hex Lock Nut, 5/8NC	4
66	Z72521	Flange Nut 5/16NC	6
67	Z73131	Flat Washer, 3/8	4

ITEM	PART NO.	DESCRIPTION	QTY
68	Z74111	Set Screw, 1/4NC	4
69	Z76121	Flange Bolt, 5/16NC x 3/4	6
70	Z76262	Carriage Bolt, 5/8NC x 1-3/4	4
71	Z92110	1/16 Aircraft cable x 2'	1

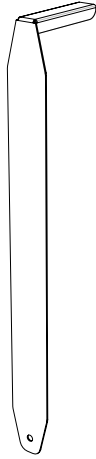
Label Layout



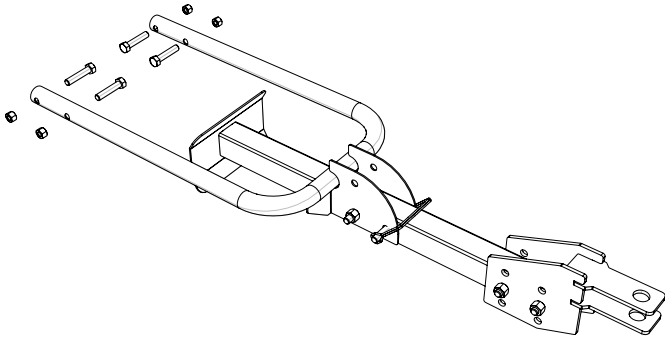
Serial Plate Location



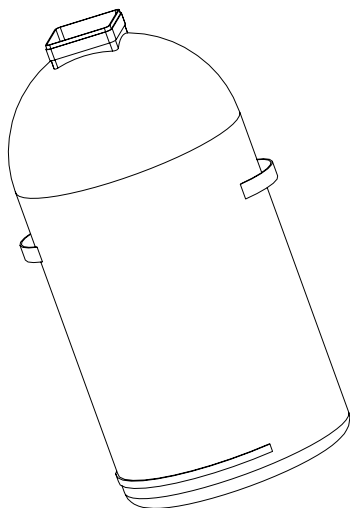
Accessories



#1012L269 LEDGER CLEARANCE SETTING GAUGE



#1082A355 GARDEN TRACTOR HITCH



#1082S352 MULCH COLLECTOR BAG

Manual

WALLENSTEIN
BY EMB GROUP INC.

EMB Manufacturing Inc.
4144 Boomer Line - St. Clements, On - N0B 2M0 - Canada
Ph: (519) 699-9285 - Fax: (519) 699-4146
www.embmfg.com

BXMC32B
BXMC32S

**CHIPPER-SHREDDER
MODELS BXMC32B & BXMC32S**

OPERATOR'S MANUAL

PRINTED IN CANADA
Rev: 231211

PART NUMBER: Z97061

Z97061

Available as a download at
www.embmfg.com