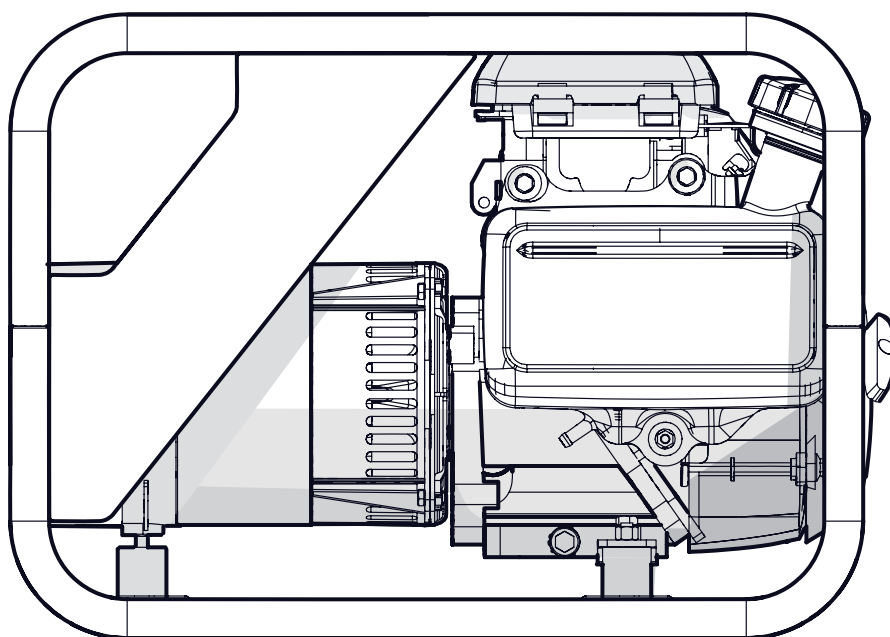


Part Number: 4023T050

PARTS MANUAL

Serial Number 28000 & up

WCC2500 GENERATOR



Foreword

This Wallenstein parts manual is prepared to assist customers in ordering quality OEM replacement parts.

Regular maintenance combined with replacing old, worn or broken parts with the correct OEM parts is essential in prolonging the life of your Wallenstein product. Refer to this manual to identify replacement parts.

To order parts, contact your Wallenstein dealer or distributor. Have the product model and serial number handy.

If your dealer is no longer available, please go to our website: <http://wallensteinequipment.com> and click on the [Dealer Locator](#) to find the nearest dealer.

All information contained in this parts manual is current as per the revision date at the bottom of the page. Wallenstein reserves the right to change product specifications at any time without notice.

If your product specifications differ from those contained in this manual, contact Wallenstein for current information.

Reproduction of information in this parts manual is prohibited without prior written permission from Wallenstein Equipment Inc.

Wallenstein Equipment Inc. • © 2022

WARNING!

Refer to the operators manual for safe operation and maintenance.

Maintenance should be performed by trained personnel only.

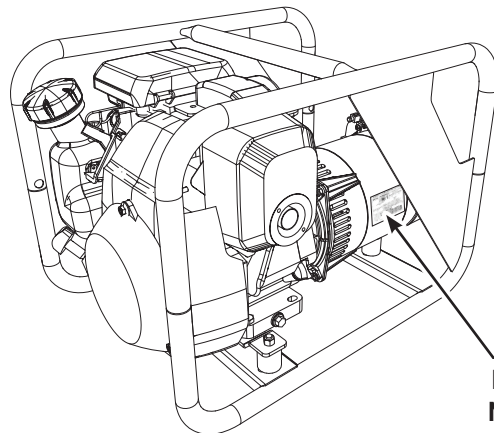
Serial Number Location

Always provide the model and serial number of your Wallenstein product when ordering parts or requesting service or other information. This information is found on the product information plate as shown below.

Record your product information here for future reference.

Model _____

Serial Number _____

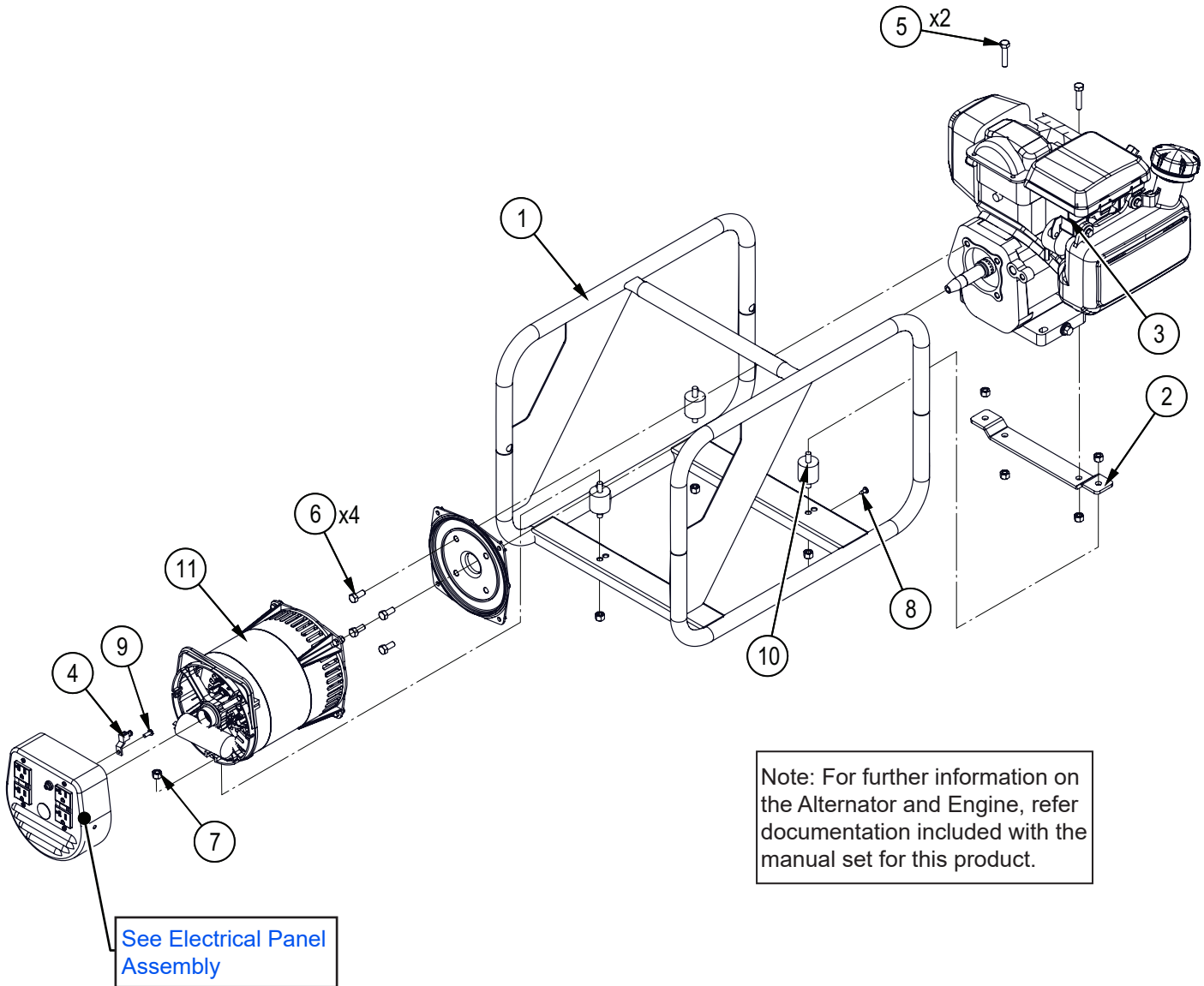


Model and Serial Number Location

Contents

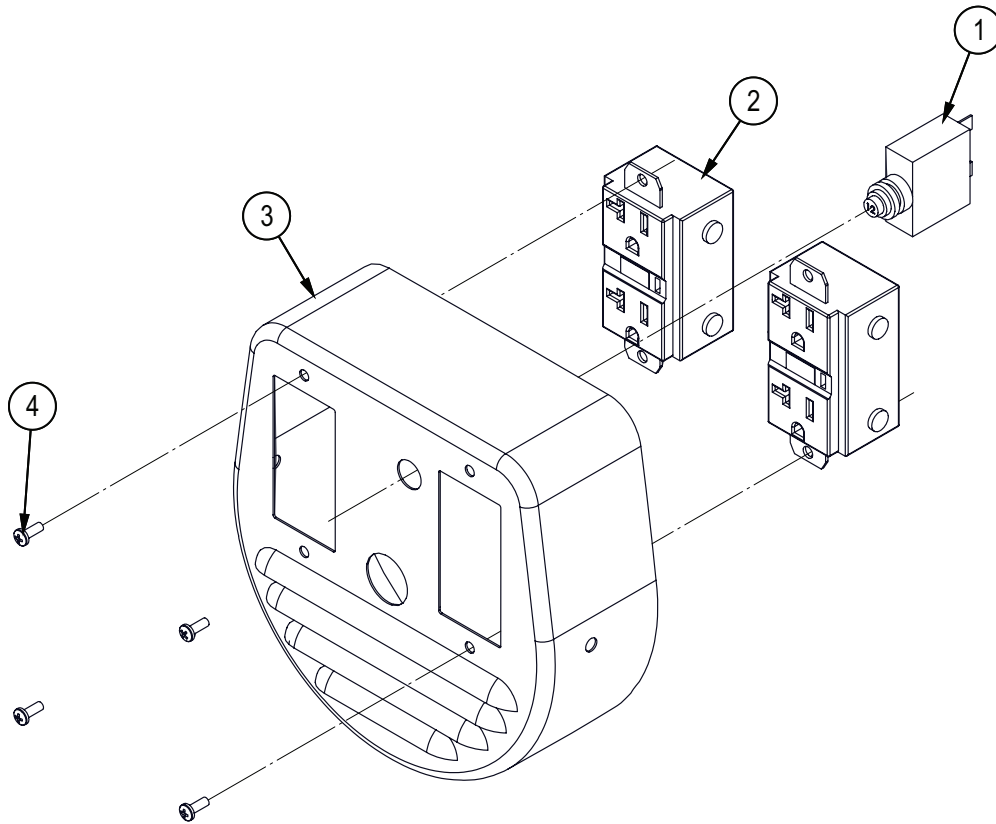
- Main Parts.....4**
- Electrical Panel Assembly.....5**
- Alternator.....6**
- Wiring Diagram7**
- Accessories8**
- Decal Layout.....9**
- Common Bolt Torque Values 10**

Main Parts



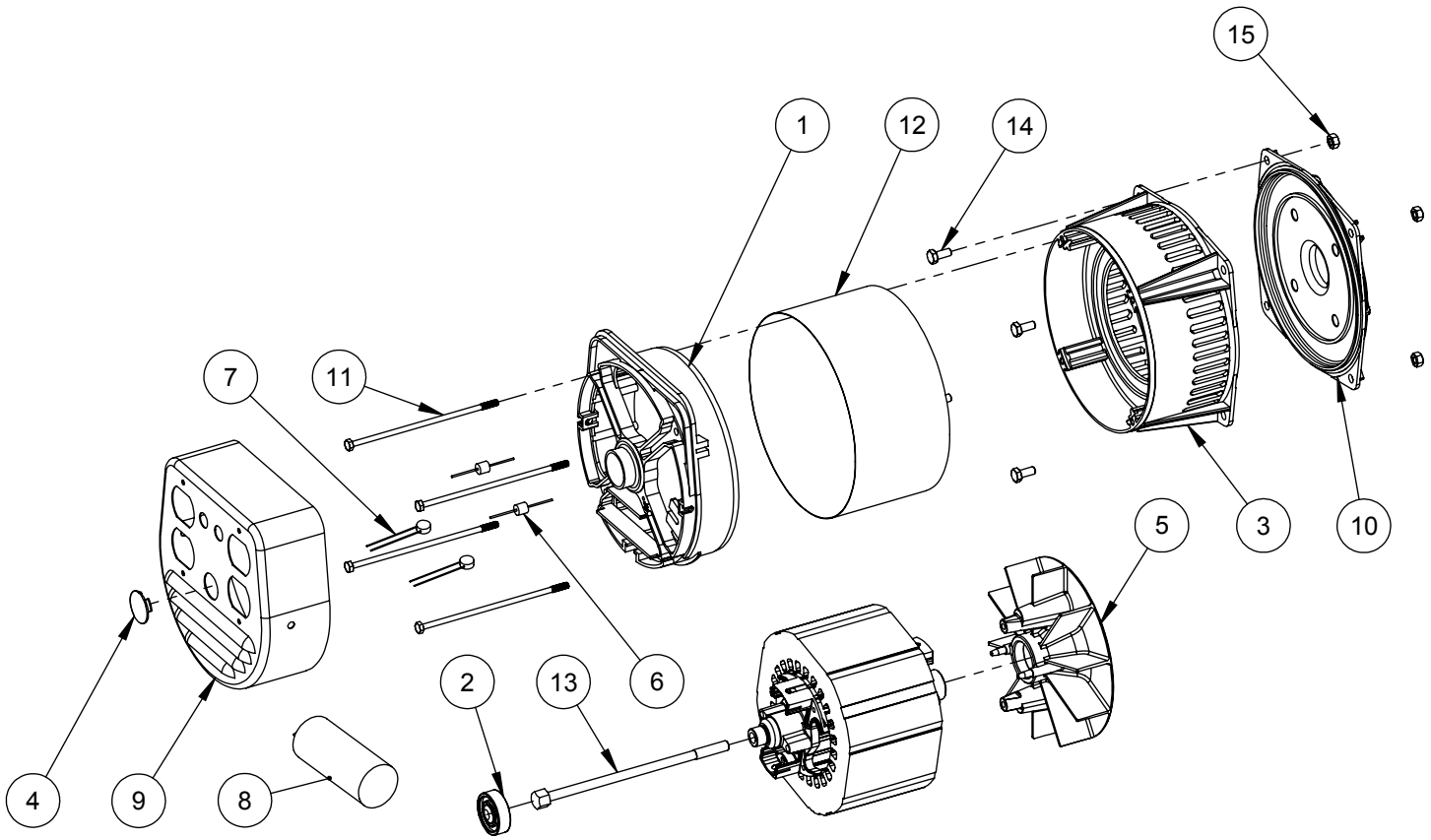
Item No.	Part No.	Description	Qty
1	4067W001	SurgeMaster Generator Frame	1
2	4011L103	Bracket, Engine Mount	1
3	Z47307	Honda GC160UAVXC, Taper x Rope	1
4	Z62711	Grounding Terminal, 6-14	1
5	Z71215	Hex Bolt, 5/16NC x 1-1/2"	2
6	Z71273	Hex Bolt, 5/16NF x 3/4"	4
7	Z72221	Hex Lock Nut, 5/16NC	8
8	Z76711	Self-tapping Screw, #10 x 1/2"	1
9	Z78303	Machine Screw, #10NF x 1/2"	1
10	Z79931	Isolator, 1-1/4" Dia x 1-1/4" x 5/16NC	3
11	Z65401	Alternator, 2.9 kVA	1

Electrical Panel Assembly



Item No.	Part No.	Description	Qty
1	Z62602	Thermal Breaker, 12A x TC1 OL1	1
2	Z63408	GFCI Receptacle, 5-20R x 20A x 125V	2
3	Z65422	Terminal Box Lid GFI	1
4	Z78304	Machine Screw, #6NC x 3/8"	4

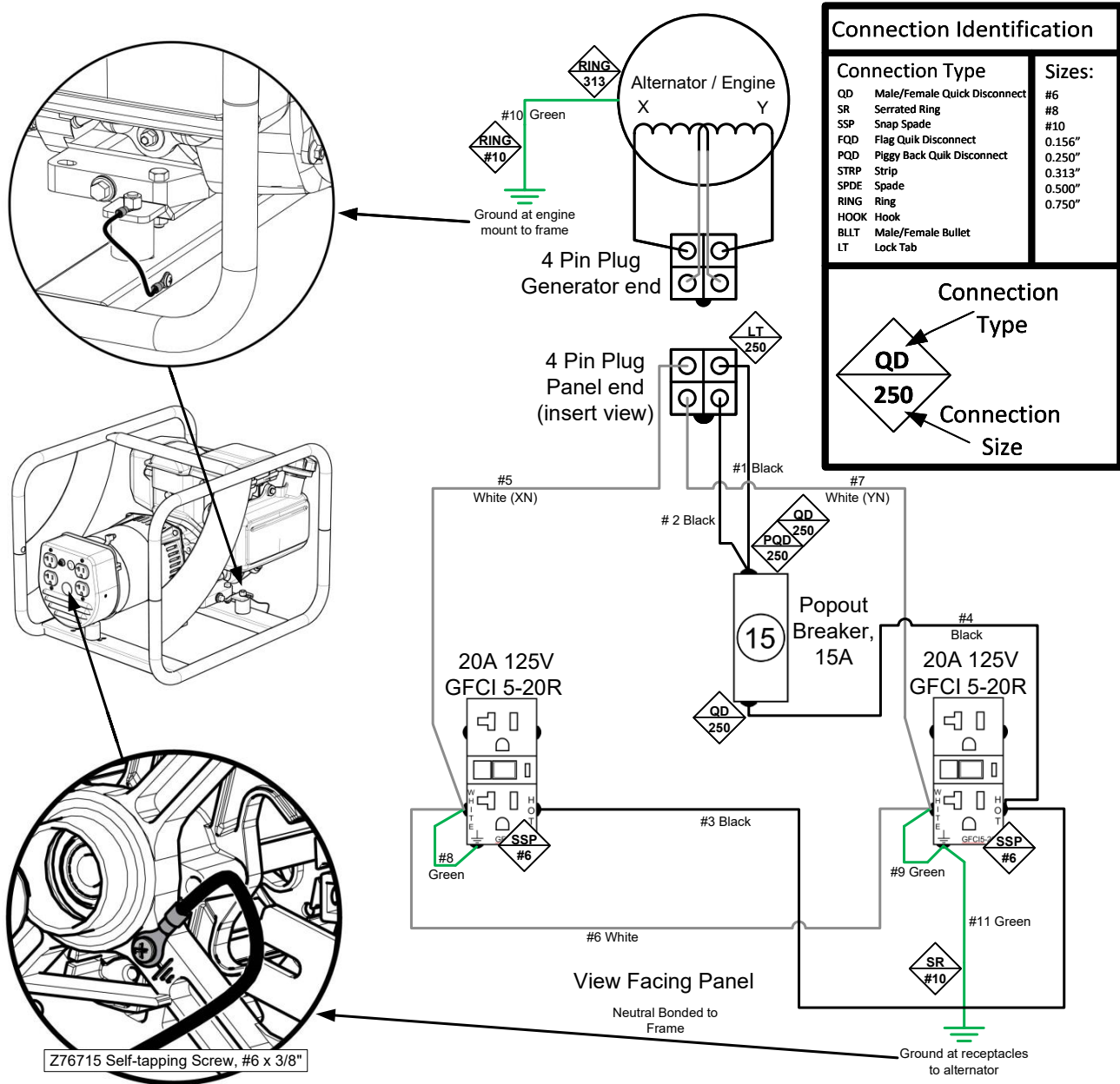
Alternator



P/N Z65401 – 2.9 kVA Alternator

ITEM	PART NO.	Description	QTY.
1	0390302217	Non Drive End Bracket	1
2	0390302536	Rear Bearing	1
3	0391700138	Drive End Bracket	1
4	0391802005	Plastic Cap	1
5	0392000042	Fan	1
6	9910356050	Diode	2
7	9910384005	Varistor	2
8	GECAP18MF	Capacitor, 18 MFZ	1
9	GES15COVER5	Terminal Box Lid	1
10	GES15INTFLANGEA	Interchange Flange	1
11	GES15W85CBOLTS	Cover Stay Bolt	4
12	GES15W85ENCBAND	Enclosing Band	1
13	GESS167MM	Securing Stud	1
14	Z77130	Hex Bolt, M6x1.0x14mm	4
15	Z77231	Hex Nut, M6x1.0	4

Wiring Diagram



Connection Identification		
Connection Type	Sizes:	
QD	Male/Female Quick Disconnect	#6
SR	Serrated Ring	#8
SSP	Snap Spade	#10
FQD	Flag Quik Disconnect	0.156"
PQD	Piggy Back Quik Disconnect	0.250"
STRP	Strip	0.313"
SPDE	Spade	0.500"
RING	Ring	0.750"
HOOK	Hook	
BLLT	Male/Female Bullet	
LT	Lock Tab	

Connection Type	
QD	250
	250

Connection Type
Connection Size

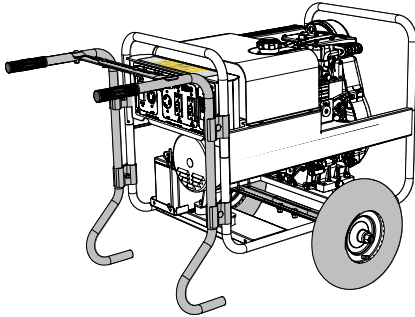
Z76715 Self-tapping Screw, #6 x 3/8"

#Z62341 3000W Compact Wire Bundle

4067T000 3000 GFI Wiring Diag.vsd 052522

Accessories

Call your dealer for pricing and availability



Two Wheel Kit, 10" Tires – P/N WK210

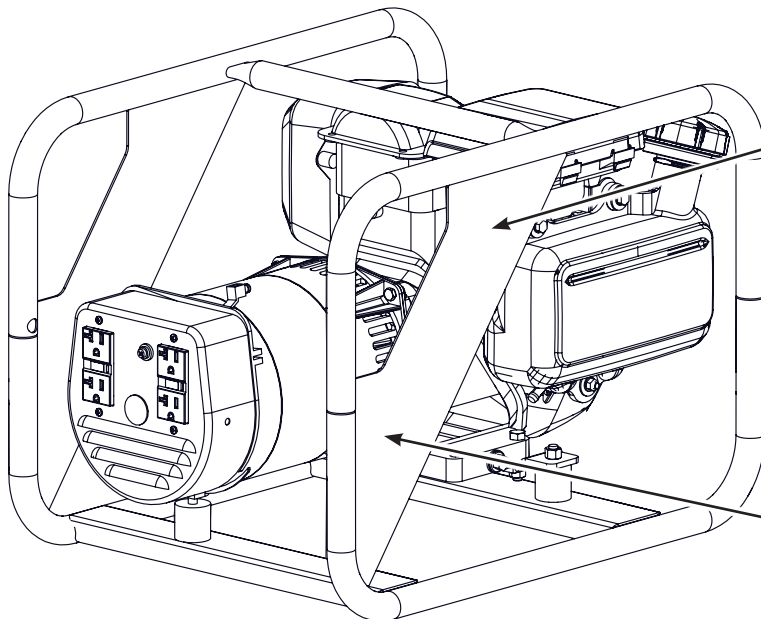
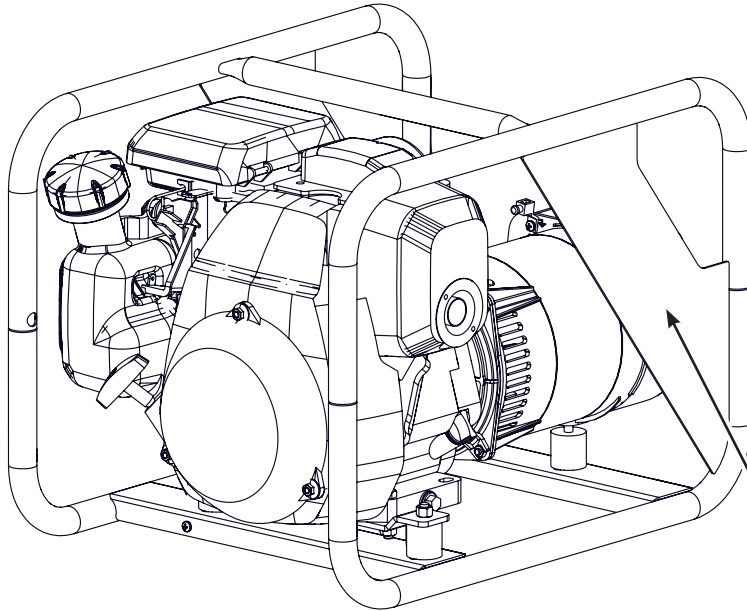
Two Wheel Kit, 14" Tires – P/N WK214

Kits contain handles and axle with tires.

The kit is easy to install and simply clamps on to the existing frame.

Decal Layout

IMPORTANT! If parts are replaced that have safety signs on them, new signs must be applied. Safety signs must always be replaced if they become damaged, are removed, or become illegible.



Common Bolt Torque Values

Checking Bolt Torque

The tables shown give correct torque values for various bolts and capscrews. Tighten all bolts to the torque values specified in the table, unless indicated otherwise. Check tightness of bolts periodically.

IMPORTANT! If replacing hardware, use fasteners of the same grade.

IMPORTANT! Torque figures indicated in the table are for non-greased or non-oiled threads. Do not grease or oil threads unless indicated otherwise. When using a thread locker, increase torque values by 5%.

NOTE: Bolt grades are identified by their head markings.

Imperial Bolt Torque Specifications						
Bolt Diameter	Torque Value					
	SAE Gr. 2		SAE Gr. 5		SAE Gr. 8	
	lbf•ft	N•m	lbf•ft	N•m	lbf•ft	N•m
1/4"	6	8	9	12	12	17
5/16"	10	13	19	25	27	36
3/8"	20	27	33	45	45	63
7/16"	30	41	53	72	75	100
1/2"	45	61	80	110	115	155
9/16"	60	95	115	155	165	220
5/8"	95	128	160	215	220	305
3/4"	165	225	290	390	400	540
7/8"	170	230	420	570	650	880
1"	225	345	630	850	970	1320



Metric Bolt Torque Specifications				
Bolt Diameter	Torque Value			
	Gr. 8.8		Gr. 10.9	
	lbf•ft	N•m	lbf•ft	N•m
M3	0.4	0.5	1.3	1.8
M4	2.2	3	3.3	4.5
M6	7	10	11	15
M8	18	25	26	35
M10	37	50	52	70
M12	66	90	92	125
M14	83	112	116	158
M16	166	225	229	310
M20	321	435	450	610
M30	1,103	1 495	1,550	2 100

