



# BXM42 Chipper Parts Manual

S/N 1M42188 & Later



# Foreword

EMB Mfg. has prepared this parts manual to assist customers in ordering quality OEM replacement parts.

Proper and regular service and replacing old, worn or broken parts with the correct OEM parts are essential to prolonging the life of your EMB product. Please refer to this manual before ordering any replacement parts.

All information contained in this parts manual is based on the latest product specification available at the time of printing this manual. If your product differs from the specifications contained within this manual contact EMB Mfg. for information.

EMB reserves the right to alter specifications on their products at any time.

Reproduction of this parts manual of any kind is prohibited without prior written permission from EMB Mfg.

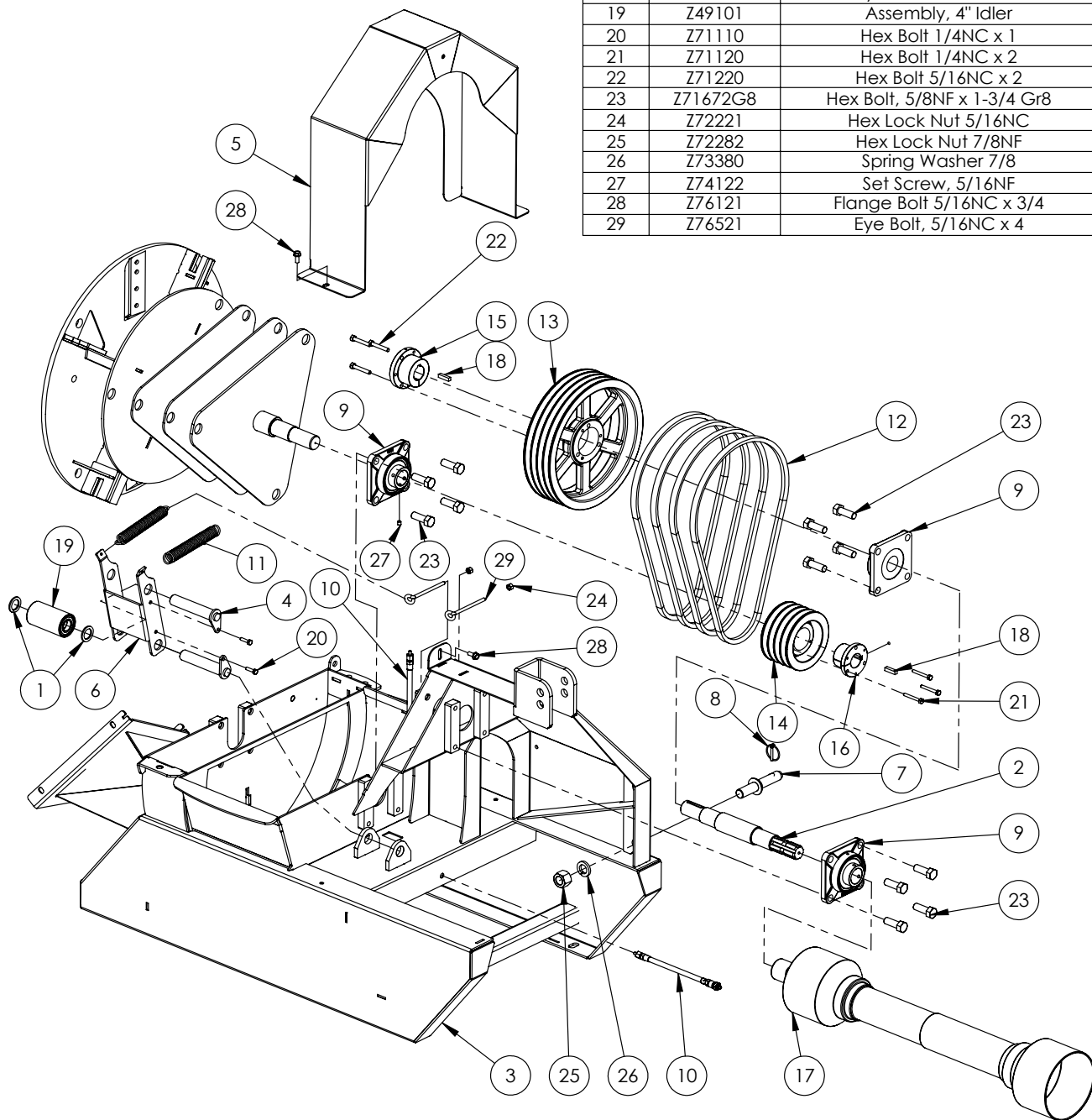
# Table of Contents

Driveline	5
Main Parts	7
Rotor	8
Discharge Chute	9
Binacchi PTO Parts Breakdown	10
Decal Breakdown	12

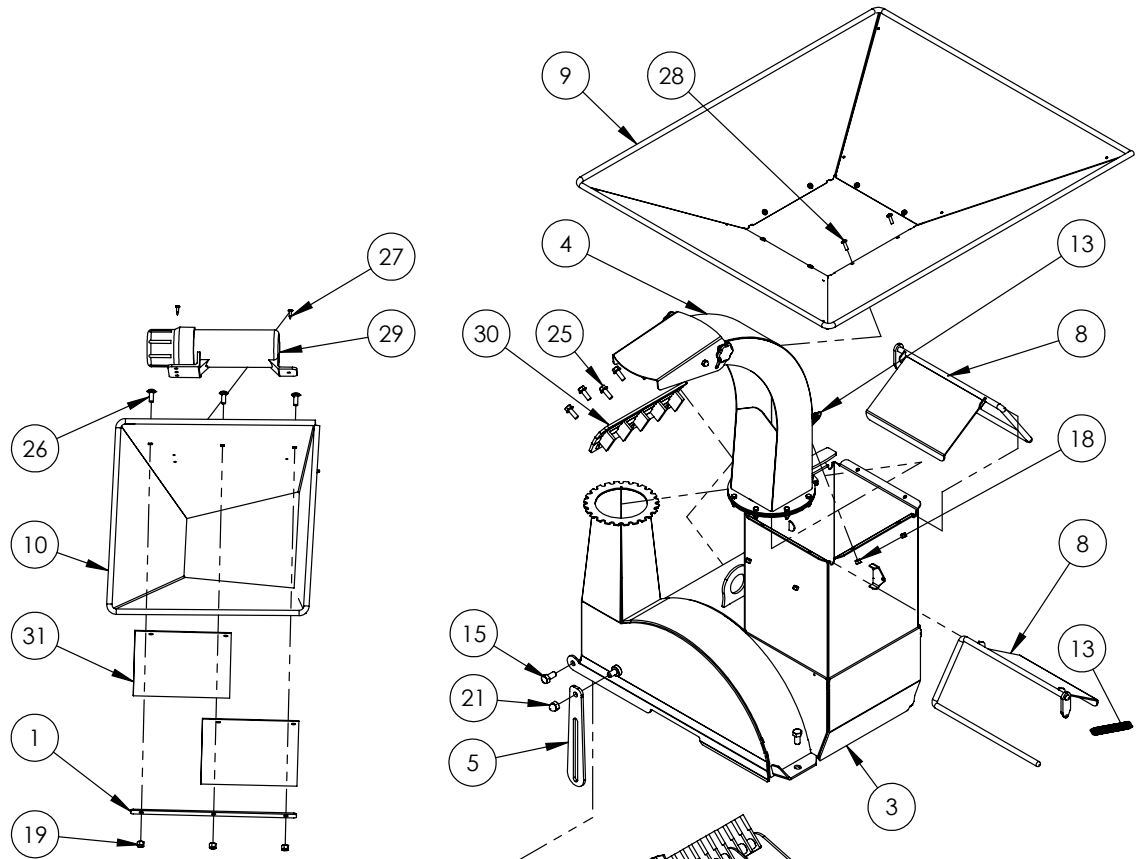
This Page is Intentionally Blank

**BXM42 DRIVELINE PARTS BREAKDOWN**

ITEM	PART NO.	Description	QTY.
1	1016L972	Washer, Idler	2
2	1016M621	Shaft, Splined	1
3	1016W601	Housing, Bottom Rotor	1
4	1016W612	Belt Tightner, Main Pivot Pin	2
5	1016W631	Belt Sheild	1
6	1016W633	Idler Arm, Main Belt Tightner	1
7	Z11431	Implement Pin 7/8x5-1/2	2
8	Z12110	Latch Pin 3/16	2
9	Z25204	4-Bolt Bearing 1-1/2" Bore	3
10	Z29309	Grease Whip 9" with Fittings	2
11	Z31404	Spring 27mm x 178mm x 0.135	2
12	Z41158	Belt, B50	4
13	Z41311	Four "B" Sheave, 12.75" Pitch	1
14	Z41312	Four "B" Sheave, 5.75" Pitch	1
15	Z41501	SK Bushing, 1-3/8 Bore	1
16	Z41517	Bushing SD 1-3/8	1
17	Z44504	#5 Global PTO Shaft M10 Shear	1
18	Z46544	Key 5/16 x 5/16 x 1-1/4	2
19	Z49101	Assembly, 4" Idler	1
20	Z71110	Hex Bolt 1/4NC x 1	2
21	Z71120	Hex Bolt 1/4NC x 2	3
22	Z71220	Hex Bolt 5/16NC x 2	3
23	Z71672G8	Hex Bolt, 5/8NF x 1-3/4 Gr8	12
24	Z72221	Hex Lock Nut 5/16NC	4
25	Z72282	Hex Lock Nut 7/8NF	2
26	Z73380	Spring Washer 7/8	2
27	Z74122	Set Screw, 5/16NF	2
28	Z76121	Flange Bolt 5/16NC x 3/4	3
29	Z76521	Eye Bolt, 5/16NC x 4	2

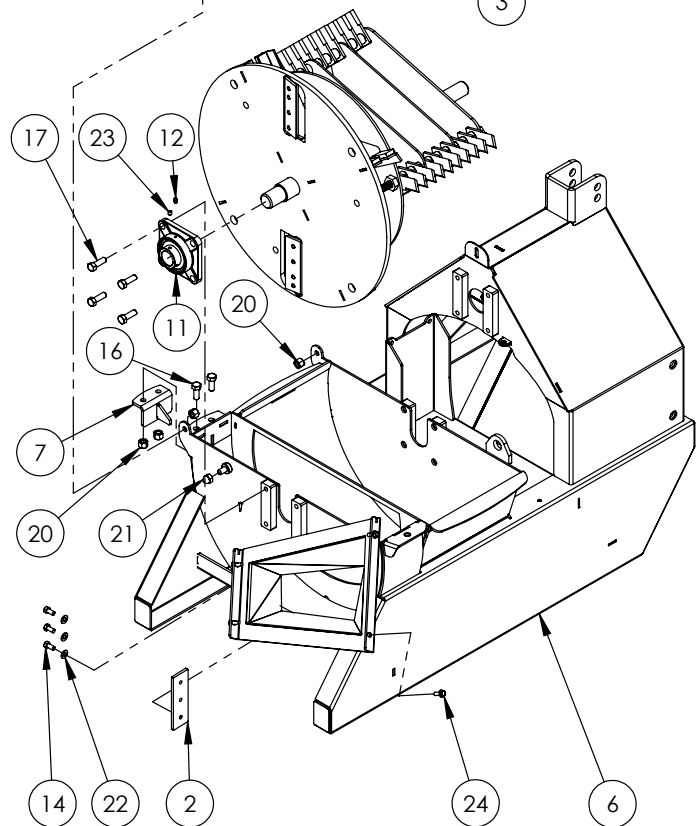


This Page is Intentionally Blank



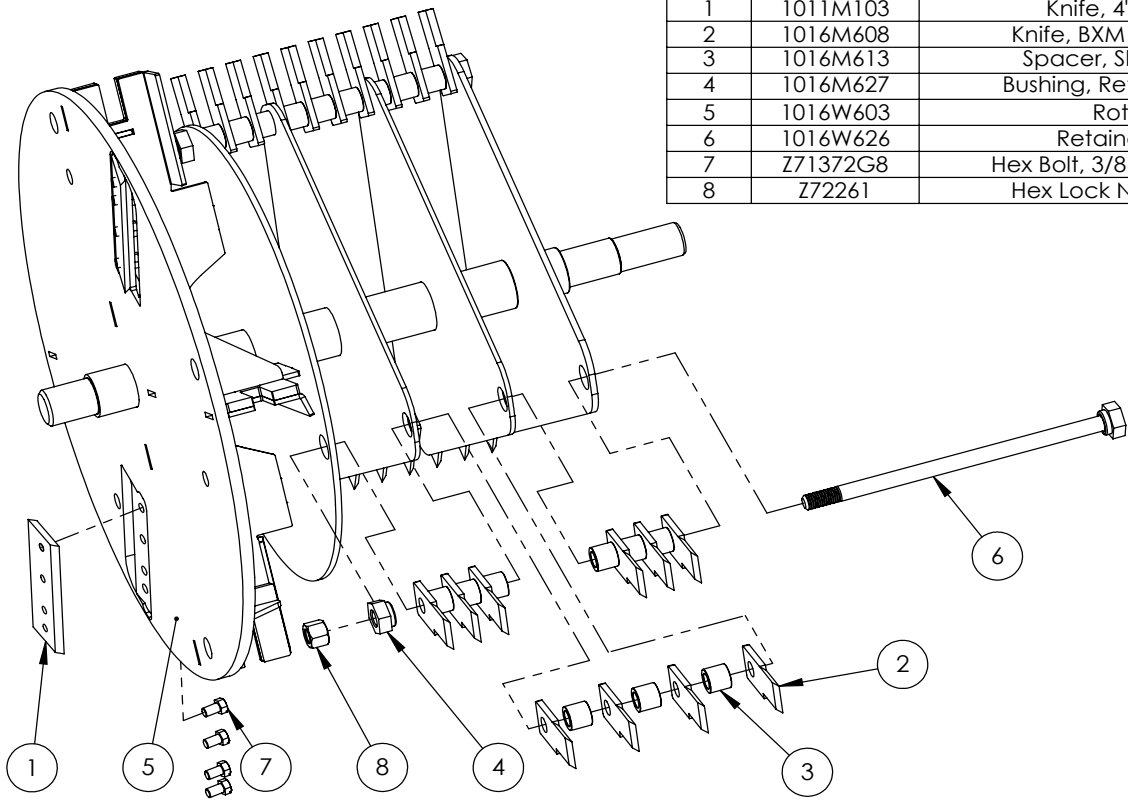
**BXM42 MAIN PARTS BREAKDOWN**

ITEM	PART NO.	Description	QTY.
1	1011L151	Strap, Hopper Flap	1
2	1011M104	Knife, 4" Ledger	1
3	1016W602	Housing, Upper Rotor	1
4	1016A001	Assembly, Discharge Chute	1
5	1016L729	Positive Stop Plate	1
6	1016W601	Housing, Bottom Rotor	1
7	1011W104	Twig Breaker	1
8	1016W625	Flapper	2
9	1016W627	Hopper, Shredder	1
10	1016W632	Chipper Feed Hopper	1
11	Z25204	4-Bolt Bearing 1-1/2" Bore	1
12	Z29202	Grease Zerk 1/4NF	1
13	Z31301	Spring 17mm x 140mm Medium	2
14	Z71372G8	Hex Bolt 3/8NF x 5/8 Gr8	3
15	Z71515	Hex Bolt 1/2NC x 1-1/2	3
16	Z71512	Hex Bolt 1/2NC x 1-1/4	2
17	Z71672G8	Hex Bolt 5/8NF x 1-3/4 G8	4
18	Z72111	Hex Lock Nut 1/4NC	8
19	Z72221	Hex Lock Nut 5/16NC	3
20	Z72251	Hex Lock Nut 1/2NC	4
21	Z72915	Acorn Nut, 1/2NC	2
22	Z73131	Washer, 3/8	3
23	Z74122	Set Screw, 5/16NF	2
24	Z76121	Flange Bolt 5/16NC x 3/4	4
25	Z76133	Flange Bolt, 3/8NC x 3/4	6
26	Z76221	Carriage Bolt 5/16NC x 3/4	3
27	Z76712	Self-tapping Screw #10	3
28	Z78301	Machine Screw 1/4NC x 3/4	8
29	Z96503	Manual Tube 3-1/2 Short	1
30	1016W634	Chop Block	1
31	1011S103	Flap, Hopper	2

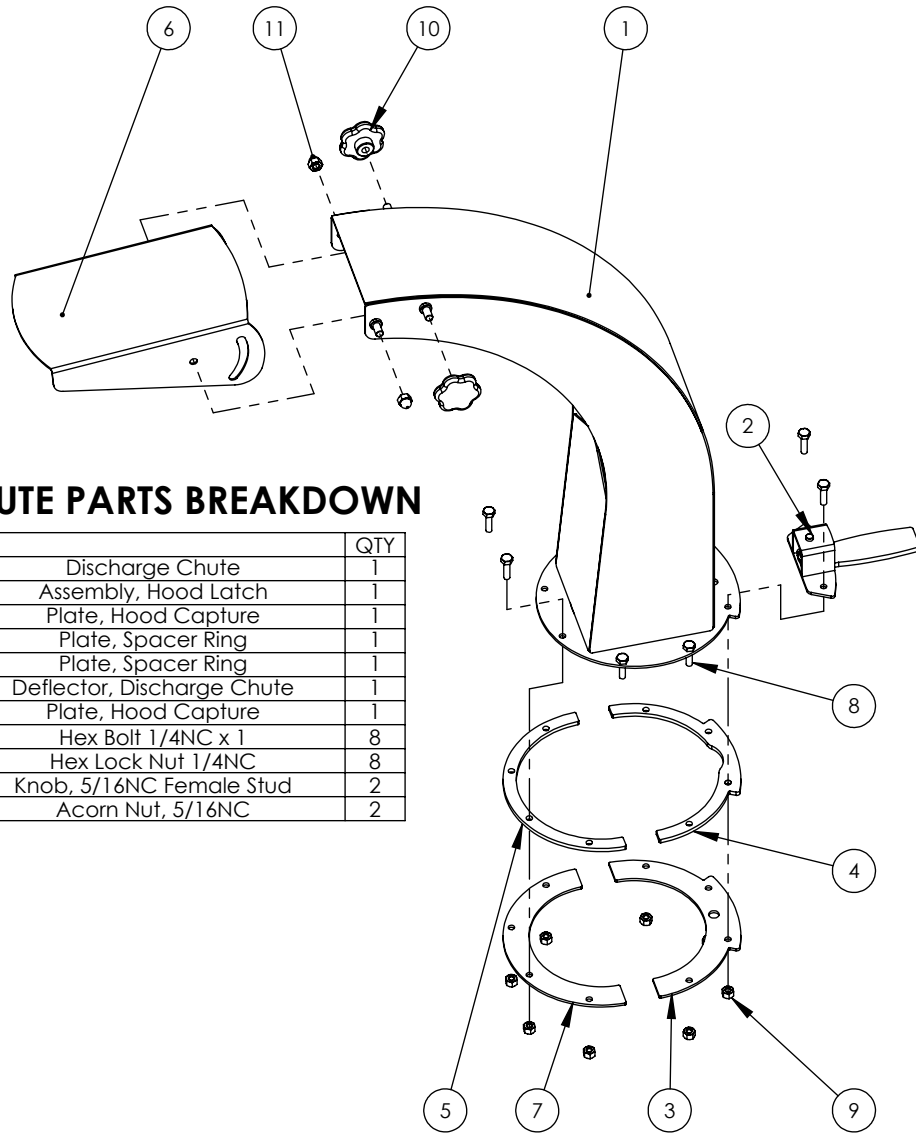


**BXM42 ROTOR PARTS BREAKDOWN**

ITEM	PART NO.	Description	QTY.
1	1011M103	Knife, 4" Rotor	2
2	1016M608	Knife, BXM Shredder	30
3	1016M613	Spacer, Shredder	27
4	1016M627	Bushing, Retainer Rod	3
5	1016W603	Rotor	1
6	1016W626	Retainer Pin	3
7	Z71372G8	Hex Bolt, 3/8NF x 5/8 G8	8
8	Z72261	Hex Lock Nut 5/8NC	3

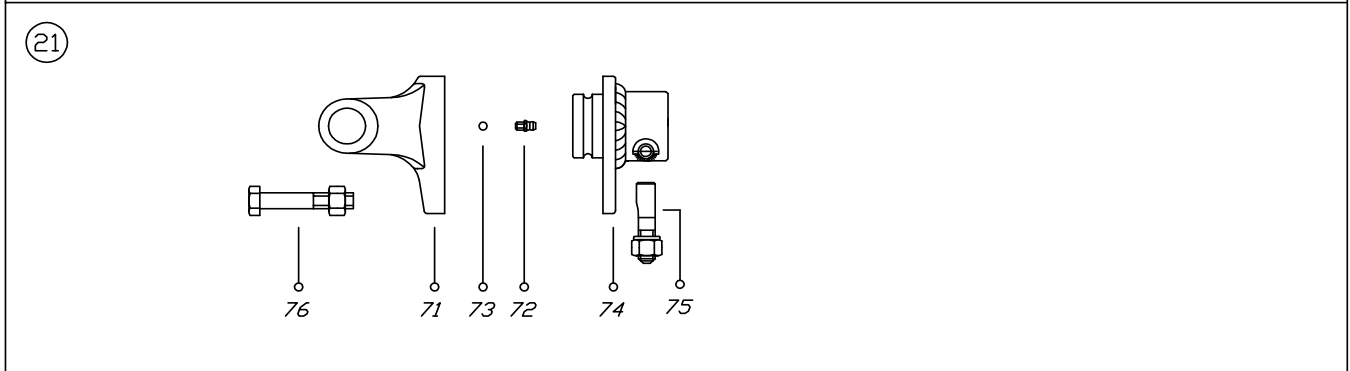
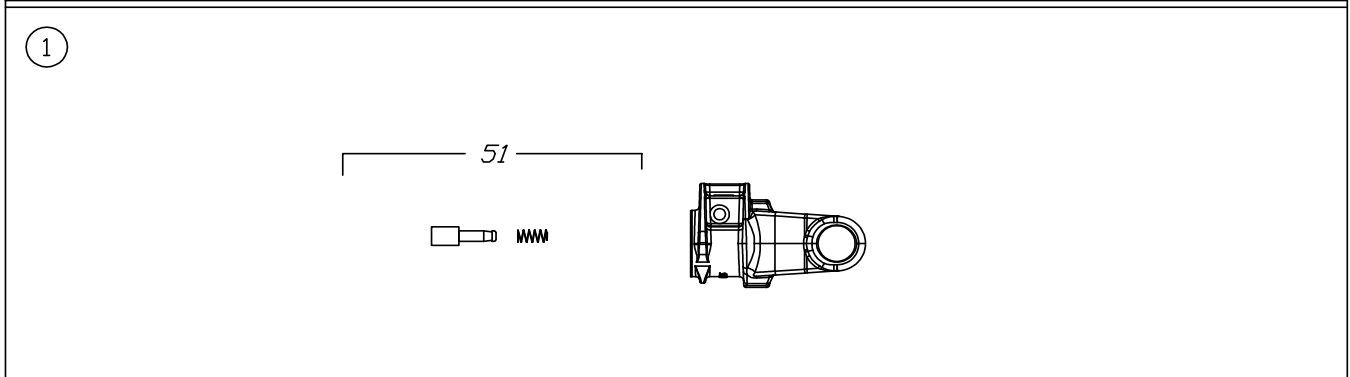
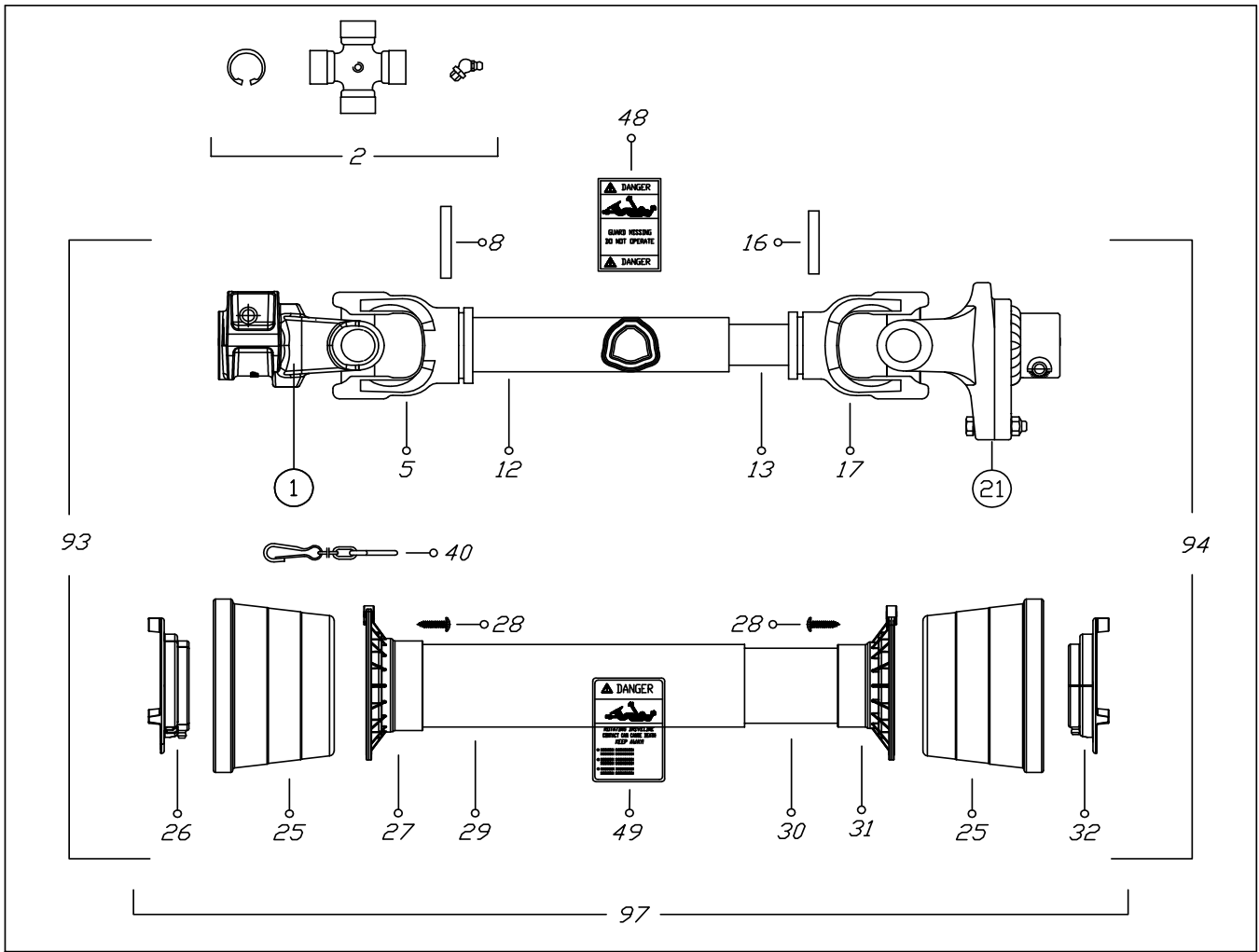






### DISCHARGE CHUTE PARTS BREAKDOWN

ITEM	PART NO.		QTY
1	1016W007	Discharge Chute	1
2	1012W208	Assembly, Hood Latch	1
3	1016L030	Plate, Hood Capture	1
4	1016L029	Plate, Spacer Ring	1
5	1016L027	Plate, Spacer Ring	1
6	1016L033	Deflector, Discharge Chute	1
7	1016L034	Plate, Hood Capture	1
8	Z71110	Hex Bolt 1/4NC x 1	8
9	Z72111	Hex Lock Nut 1/4NC	8
10	Z19313	Knob, 5/16NC Female Stud	2
11	Z72914	Acorn Nut, 5/16NC	2



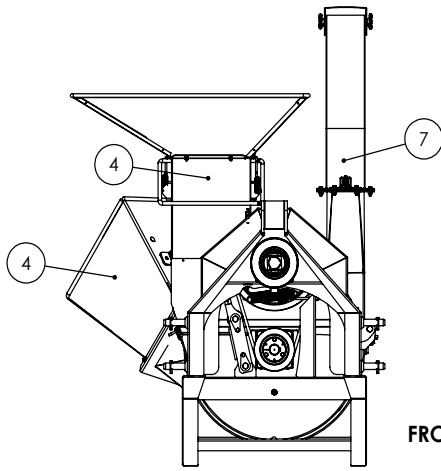
VIETATE LE RIPRODUZIONI NON AUTORIZZATE NOT PERMITTED AL RIGHTS RESERVED	TOUTE REPRODUCTION NON AUTORISEE EST INTERDITE NICHT GENEHMIGTE VERVIELFÄLTUNGEN SIND UNZULÄSSIG	CODICE C.E.D. <b>B8D061US098001</b>	DATA <b>29/01/10</b>
---	---	--	-------------------------

**Binacchi SPARE PARTS LIST : B5D056US098001**

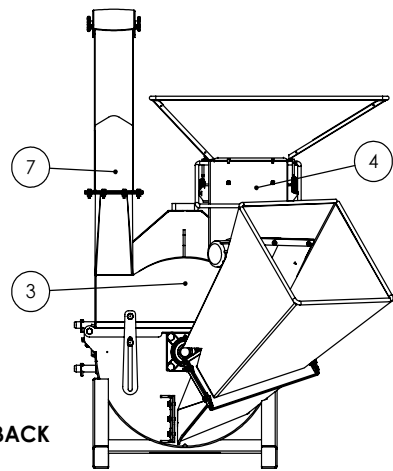
<b>POS.</b>	<b>DESCRIPTION</b>	<b>Q.</b>	<b>Part #</b>
01	YOKE	1	0800503
02	CROSS JOURNAL ASS.	2	08205
05	OUTER TUBE YOKE	1	08005021
08	FLEXIBLE PIN	1	098701075
12	CM. 100 CARDAN TUBE(*)	1	09881523100
13	CM. 100 CARDAN TUBE(*)	1	09881454100
16	FLEXIBLE PIN	1	0987001065
17	INNER TUBE YOKE	1	08005011
21	SHEAR BOLT M10X1.5X55	1	Z19407 (5 Pack)
25	CONE SHIELD BELL 05-06	2	021906C001
26	OUTER BEARING 05	1	025505C001
27	OUTER BASE CONE 05-06	1	025406C001
28	SCREW	6	0998052242
29	OUTER SAFETY TUBE	1	0988981NB5056
30	INNER SAFETY TUBE	1	0988975NB5056
31	INNER BASE CONE 05-06	1	025406C002
32	INNER BEARING 05	1	025505C002
40	CHAIN	1	0252000001
48	LABEL DANGER OUTER DRIVE TUBE	1	09872006
49	EXTERNAL SHIELD LABEL	1	09872003
51	COMPLETE PUSH BUTTTON	1	0986014047
71	YOKE FOR LB5	1	08896905
72	GREASE NIPPLE	1	0984010150
73	STEEL BALL	23	098680104
74	HUB	1	088965A60
75	PUSH PIN SET	1	0986014075
76	NUT AND BOLT M10 x 1.5 x 55 10.9	1	Z19407 (5 Pack)
93	OUTER HALF SHAFT	1	B5056US2
94	INNER HALF SHAFT	1	B5056US1098001
97	SAFETY GUARD	1	083US05056

### BXM42 DECAL BREAKDOWN

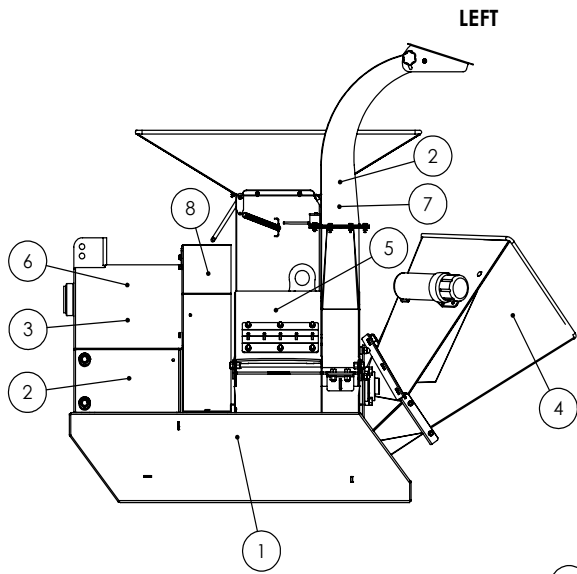
ITEM	PART NO.	DESCRIPTION	QTY
1	Z94056	WALLENSTEIN Decal	2
2	Z94019	1" Dia. Made In Canada	4
3	Z94061	BXM42 WALLENSTEIN	3
4	Z94007	DANGER - Rotating Blades	5
5	Z94006	CAUTION - Read Manual	1
6	Z94009	DANGER - Rotating Driveline Hazard	2
7	Z94008	DANGER - Thrown Object Hazard	4
8	Z94012	WARNING - Rotating Part Hazard	2
9	Z94013	DANGER - Missing Guard	1



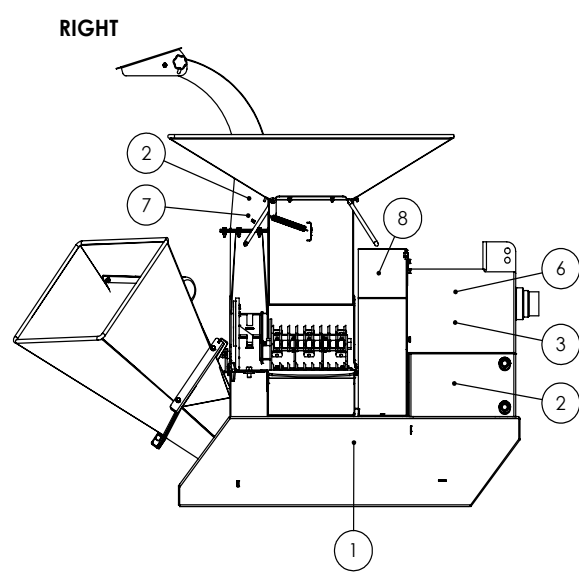
FRONT



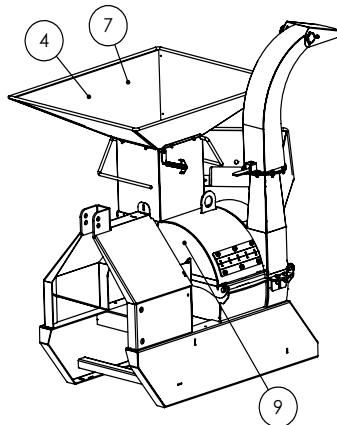
BACK



LEFT



RIGHT



# Decals BXM42

Z94056



Z94061



Z94019



Z94006

**CAUTION**

- Read and understand operator's manual before starting. Review safety instructions annually.
- Turn machine off, stop and disable engine, remove ignition key and place in your pocket, set park brake and wait for all moving parts to stop before adjusting, servicing, maintaining, repairing or unplugging.
- Keep the working area clean and free of debris to prevent slipping or tripping. Operate only on level ground.
- Close and secure rotor cover before operating.
- Close and secure all guards, deflectors and shields before starting and operating.
- Keep hydraulic lines and fittings tight, in good condition and free of leaks.
- Keep hands, feet, hair and clothing away from moving parts. Never wear loose clothing around machinery.
- Keep driveline universal joint angles equal and small as possible.
- Do not point discharge at people, animals or buildings. Rotor can expel wood chips fast enough to cause injury.
- Do not allow children, animals or unauthorized people into working area.
- Do not run machine inside a closed building to prevent asphyxiation from engine exhaust.
- Use care when feeding material into chipper. Do not send metal, bottles, cans, rocks, glass or other foreign material into wood chipper. If foreign material enters chipper, stop the machine, turn engine off and place ignition key in your pocket and wait for all moving parts to stop before removing material and/or unplugging. Inspect machine for damaged or loose parts before returning to work.
- Always wear P.P.E. (Personal Protective Equipment) such as safety goggles and heavy gloves whenever operating machine.
- Do not place hands or any body parts into feed hopper during operation.
- Do not move or transport chipper when the rotor is turning.
- Do not exceed a safe travel speed when transporting. Cross safety chain under hitch on trailer model when attaching to a truck.

Z94006

Z94007

**DANGER**

**ROTATING CUTTING BLADES**

Keep hands and feet out of inlet and discharge openings while machine is operating to avoid serious personal injury. Stop engine, remove spark plug wire and allow machine to come to a complete stop before clearing obstructions or making adjustments.

Z94007

Z94012

**WARNING**

**ROTATING PART HAZARD  
KEEP AWAY**

To prevent serious injury or death from rotating parts:

- Turn machine off, stop and disable engine, remove ignition key and place in your pocket, set park brake and wait for all moving parts to stop before adjusting, servicing, maintaining, repairing or unplugging.
- Close and secure guard before operating.
- Keep hands, feet, hair and clothing away from moving parts.

Z94012

Z94009

**DANGER**

**ROTATING DRIVELINE HAZARD  
KEEP AWAY**

To prevent serious injury or death from rotating driveline:

- Keep all guards in place when operating.
- Operate only at 540 RPM.
- Keep hands, feet, hair and clothing away from moving parts.
- Keep U-joint angles equal and small as possible.
- Do not exceed driveline manufacturers recommended operating length.

Z94009

Z94013

**DANGER**

**MISSING GUARD HAZARD**

- Close and secure all guards and shields before operating.
- Do not operate without guards and shields.

Z94013

Z94008

**DANGER**

**THROWN OBJECT HAZARD**

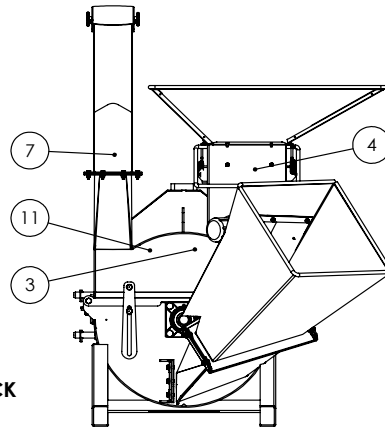
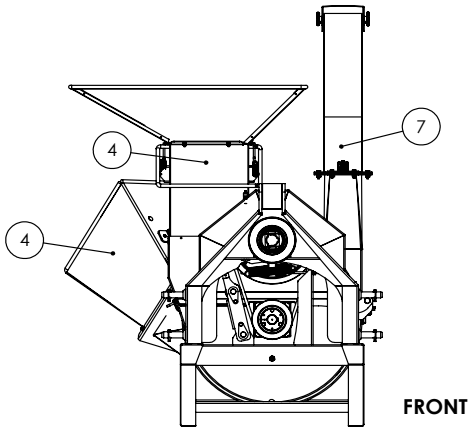
To prevent serious injury or death from thrown objects:

- Turn machine off, stop and disable engine, remove ignition key and place in your pocket, set park brake and wait for all moving parts to stop before adjusting, servicing, maintaining, repairing or unplugging.
- Do not direct discharge duct towards people, animals or property. Always wear appropriate safety gear. Keep hands and feet out of discharge openings.
- Keep others away.

Z94008

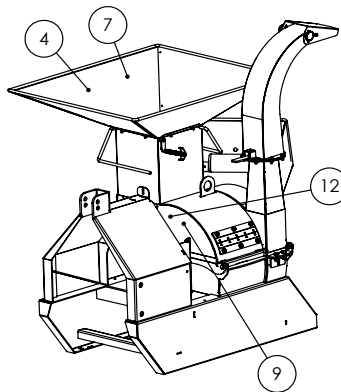
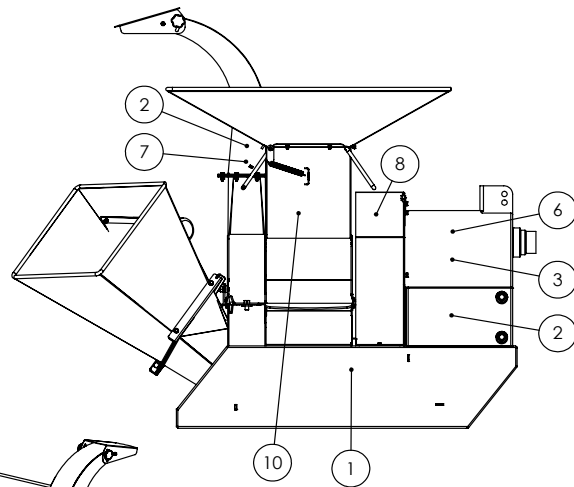
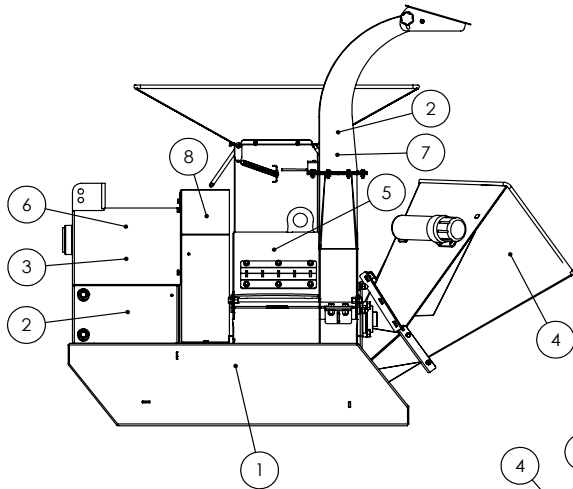
### TWO PANEL BXM42 DECAL BREAKDOWN

ITEM	PART NO.	DESCRIPTION	QTY
1	Z94056	WALLENSTEIN Decal	2
2	Z94019	1" Dia. Made In Canada	4
3	Z94061	BXM42 WALLENSTEIN	3
4	Z94120	DANGER - Rotating Blades	5
5	Z94006	CAUTION - Read Manual	1
6	Z94118	DANGER - Rotating Driveline Hazard	2
7	Z94117	DANGER - Thrown Object Hazard	4
8	Z94116	WARNING - Rotating Part Hazard	2
9	Z94127	DANGER - Missing Guard	1
10	Z94143	121 dB Noise Level	1
11	Z94144	RH Rotation	1
12	Z94145	LH Rotation	1



LEFT

RIGHT



# Two Panel Decals BXM42

Z94019



Z94061



Z94056



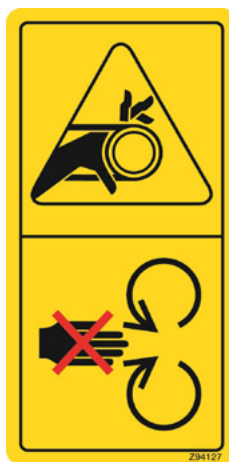
Z94143



Z94118



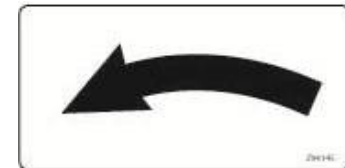
Z94127



Z94144



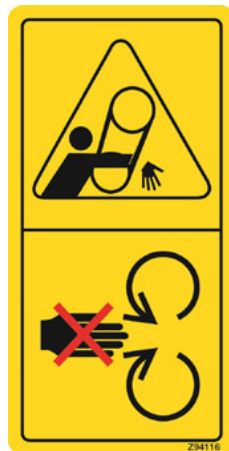
Z94145



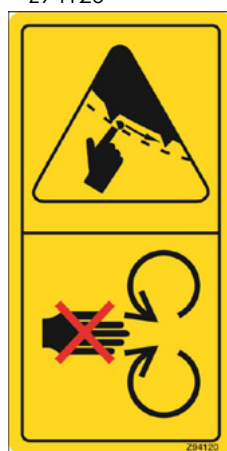
Z94117



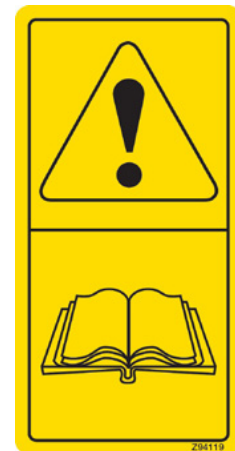
Z94116



Z94120



Z94119





**WALLENSTEIN Products Manufactured by:**

**EMB MFG Inc.**

4144 Boomer Line  
St. Clements, Ontario  
Canada N0B 2M0  
Phone: 1-877-695-9283  
Fax: 519-699-4146  
[www.embmfg.com](http://www.embmfg.com)