



BXT6224 Chipper Parts Manual

S/N 2E9US11158S050105 to S/N 2E9US11198S050107



Foreword

EMB Mfg. has prepared this parts manual to assist customers in ordering quality OEM replacement parts.

Proper and regular service and replacing old, worn or broken parts with the correct Wallenstein parts are essential to prolonging the life of your Wallenstein product. Please refer to this manual before ordering any replacement parts.

All information contained in this parts manual is based on the latest product specification available at the time of printing this manual. If your product differs from the specifications contained within this manual contact EMB Mfg. for information.

EMB reserves the right to alter specifications on their products at any time.

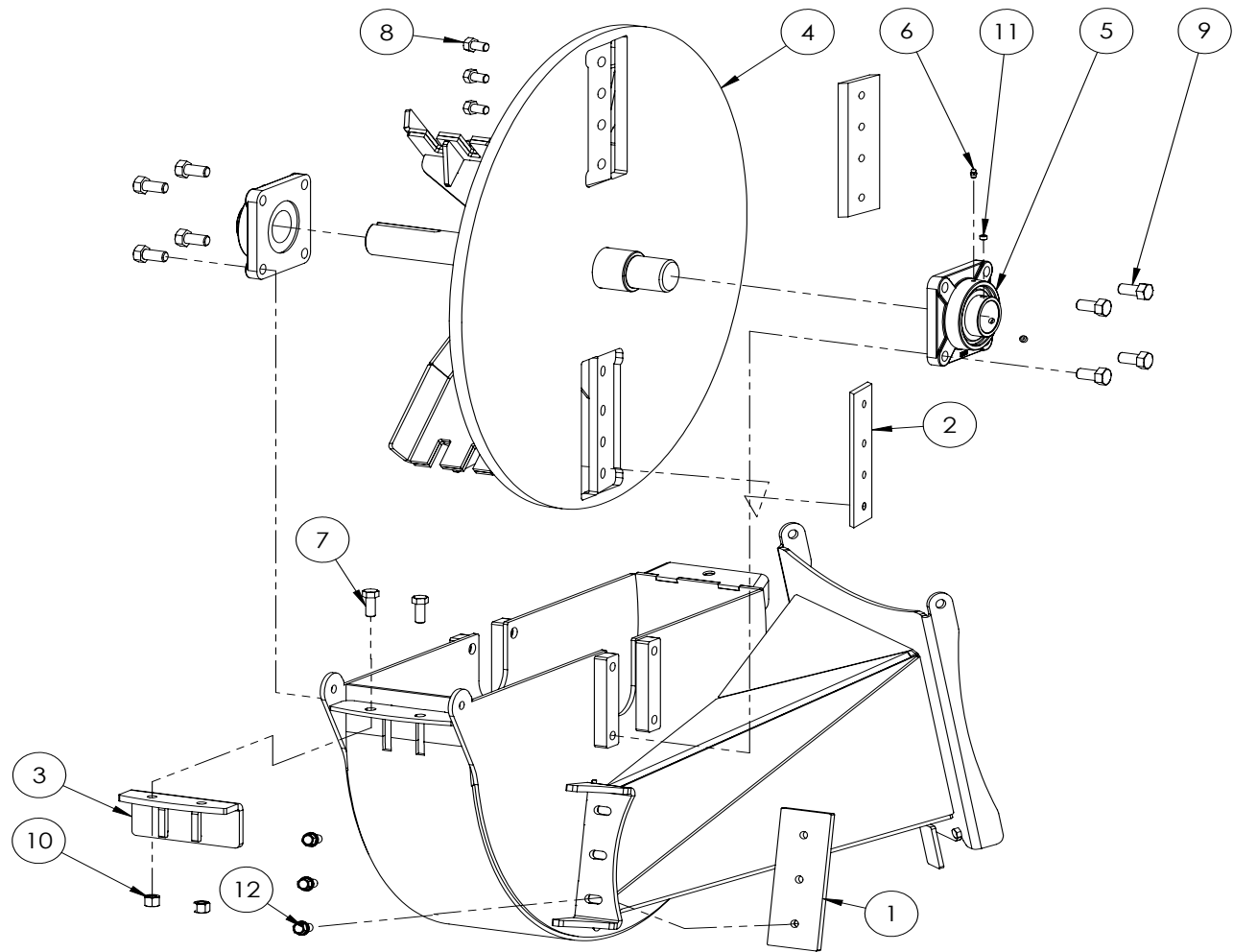
Reproduction of this parts manual of any kind is prohibited without prior written permission from EMB Mfg.

Note: Products with factory installed light kits will have a VIN number included. The last six numbers of this VIN number are the splitters serial number

Example: 2E9US1112BSXXXXXX

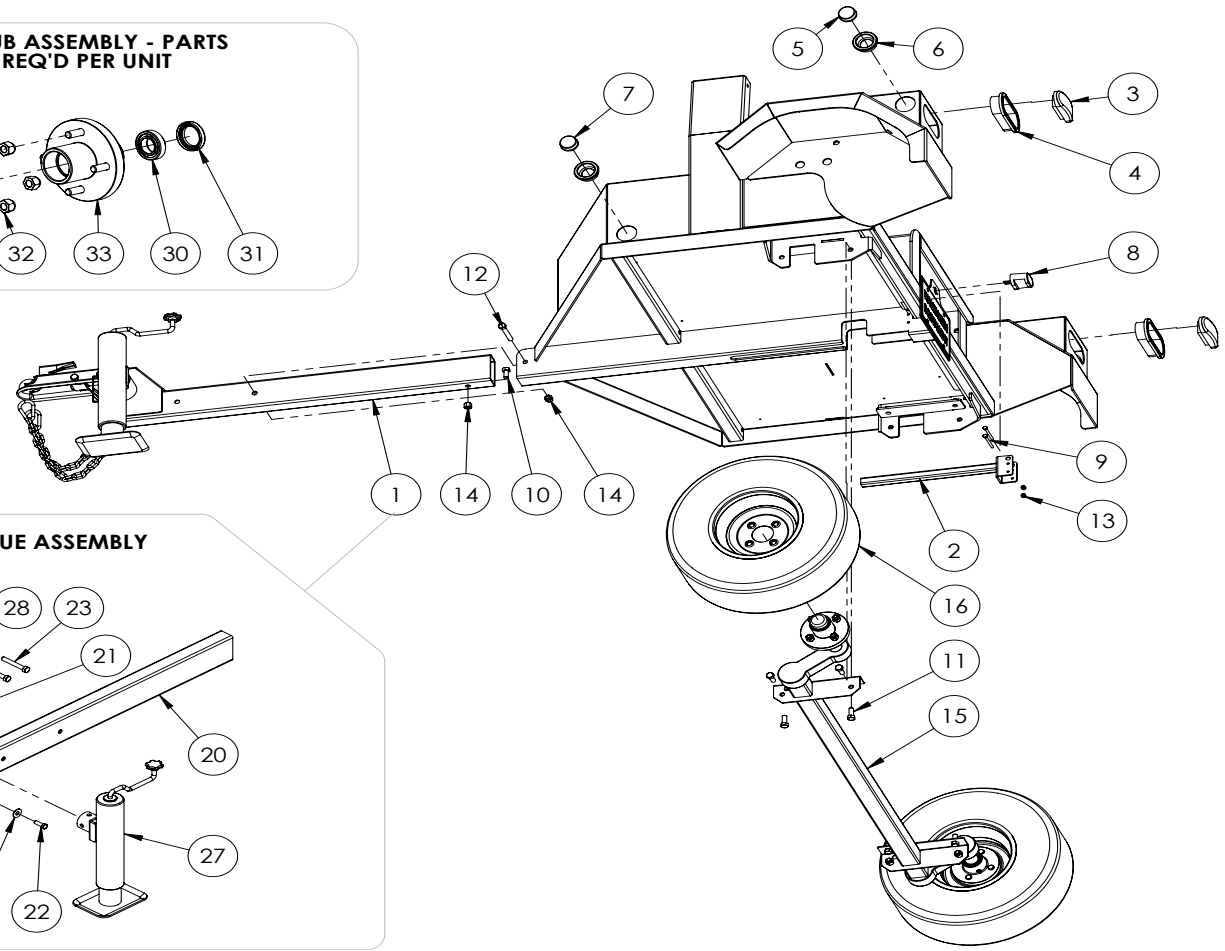
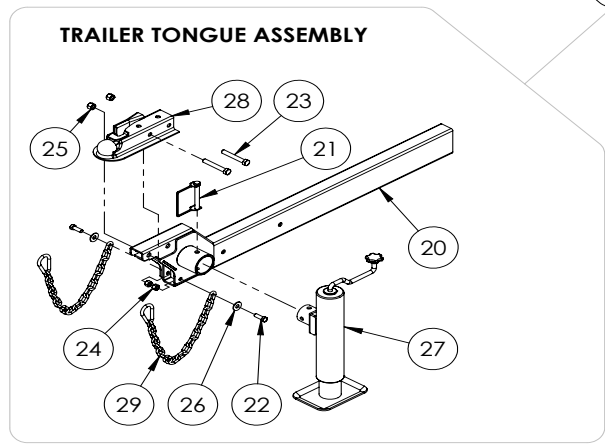
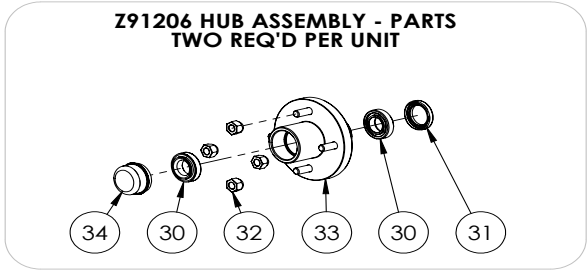
Table of Contents

Rotor	4
Running Gear	5
Driveline	6
Blower	7
Gas, Guards & Battery	8
Discharge Chute	9
Hopper	11
Wiring Diagram	13
Decals	14



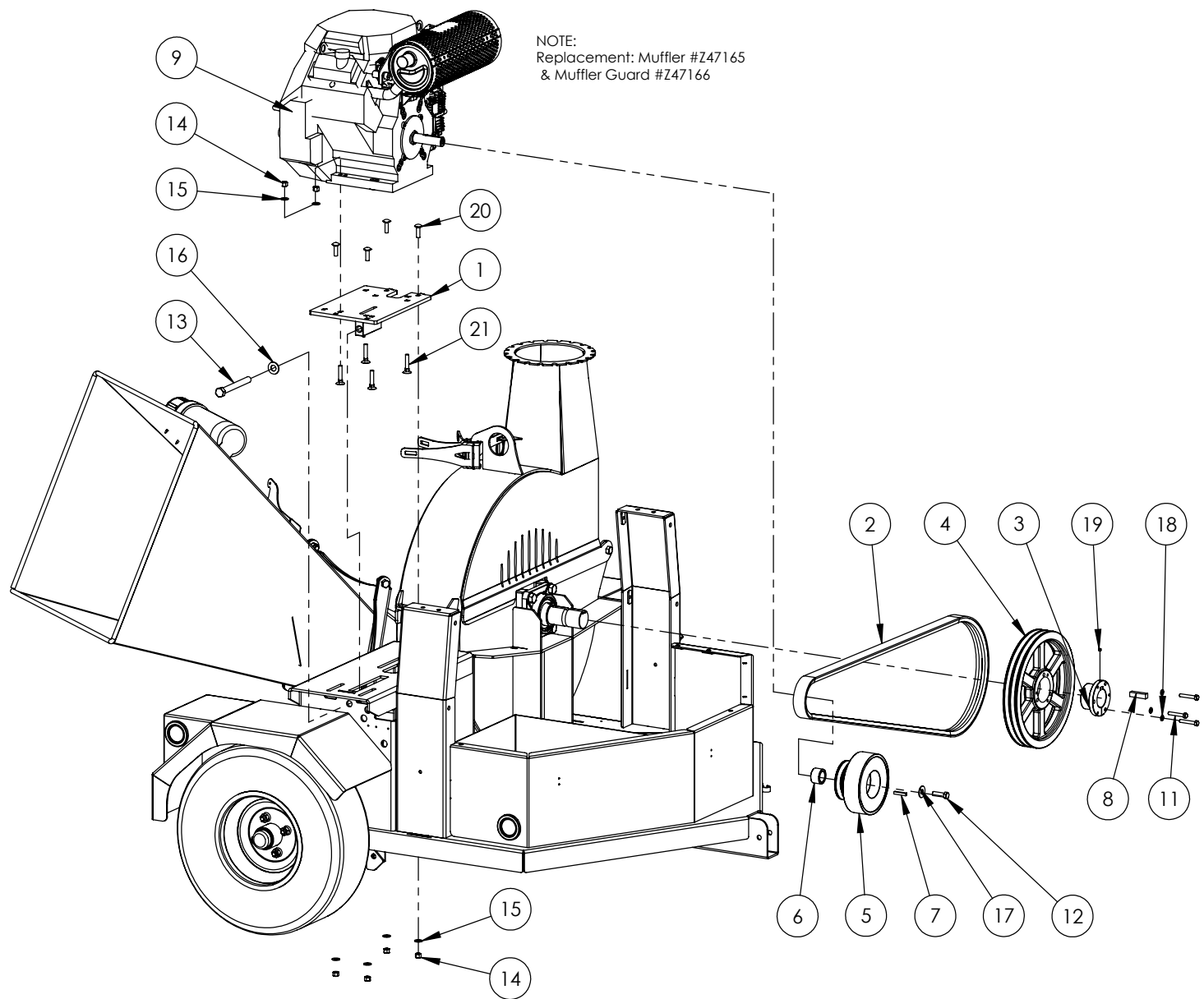
BXT ROTOR PARTS BREAKDOWN

ITEM	BXT62	DESCRIPTION	QTY.
1	1012M204	Knife, BX Ledger	1
2	1012M203	Knife, BX Rotor	2
3	1012W204	Twig Breaker	1
4	1053W203	Rotor, BXT 2-Knife	1
5	Z25203	4-Bolt Bearing (1-1/2 / 2) Bore	2
6	Z29202	Grease Zerk 1/4NF	2
7	Z71512	Hex Bolt 1/2NC x 1-1/4	2
8	Z71572G8	Hex Bolt 1/2NF x 7/8 Gr8	8
9	Z71672G8	Hex Bolt 5/8NC x 1-3/4 Gr8	8
10	Z72251	Hex Lock Nut 1/2NC	2
11	Z74132	Set Screw (5/16 / 3/8)NF	4
12	Z76151	Flange Bolt 1/2NF x 3/4 Gr8	3



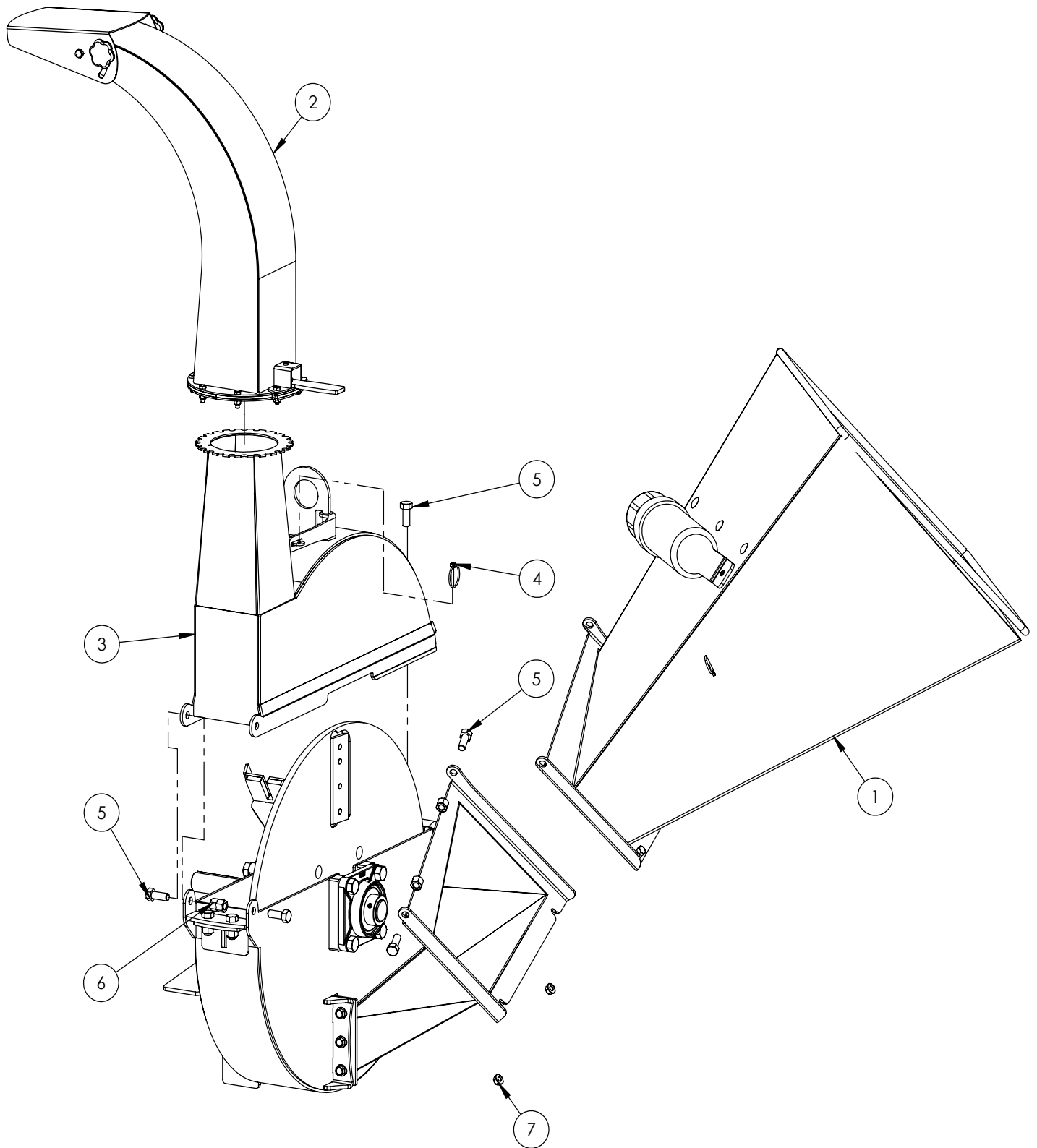
BXT62 RUNNING GEAR PARTS BREAKDOWN

ITEM	PART NO.	DESCRIPTION	QTY.
1	1053A301	Trailer Tongue Assembly	1
2	1053W306	Wire Protector Weldment	1
3	Z61102	Oval Light 2-1/4 x 6-1/4, Red	2
4	Z61103	Oval Grommet 2-1/2 x 6.76	2
5	Z61201	Round Marker Lamp 2" Red	2
6	Z61202	Round Grommet 2" Lamp	4
7	Z61205	Round Marker Lamp 2" Amber	2
8	Z61301	License Lamp	1
9	Z71130	Hex Bolt 1/4NC x 3	2
10	Z71510	Hex Bolt 1/2NC x 1	1
11	Z71512	Hex Bolt 1/2NC x 1-1/4	8
12	Z71535	Hex Bolt 1/2NC x 3-1/2	1
13	Z72111	Hex Lock Nut 1/4NC	2
14	Z72251	Hex Lock Nut 1/2NC	10
15	Z91114	#9 Torflex 1800# Axle with Hubs	1
16	Z91303	20.5x8-10 LRB USA Trail Solid	2
ITEM	PART NO.	DESCRIPTION	QTY.
20	1053W301	Tongue Weldment	1
21	Z12441	Snapper Pin 1/2 x 4-1/2	1
22	Z71412	Hex Bolt 7/16NC x 1-1/4	2
23	Z71530	Hex Bolt 1/2NC x 3	2
24	Z72240	Hex Lock Nut, 7/16NC	2
25	Z72251	Hex Lock Nut 1/2NC	2
26	Z73240	Wide Flat Washer 7/16	2
27	Z91513	Top-Wind 10" Swivel Jack	1
28	Z91614	2" Hitch Coupler	1
29	Z92303	Safety Chain 1/4 x 2'	2
ITEM	PART NO.	DESCRIPTION	QTY.
30	Z23202	L44649 Cone, L44610 Cup	2
31	Z28302	Double Lip Seal 1-1/16 Spindle	1
32	Z72931	Lug Nut 1/2NF	4
33	Z91201	1000# 4-Bolt Hub	1
34	Z91801	Dust Cap 1.98 Bore	1



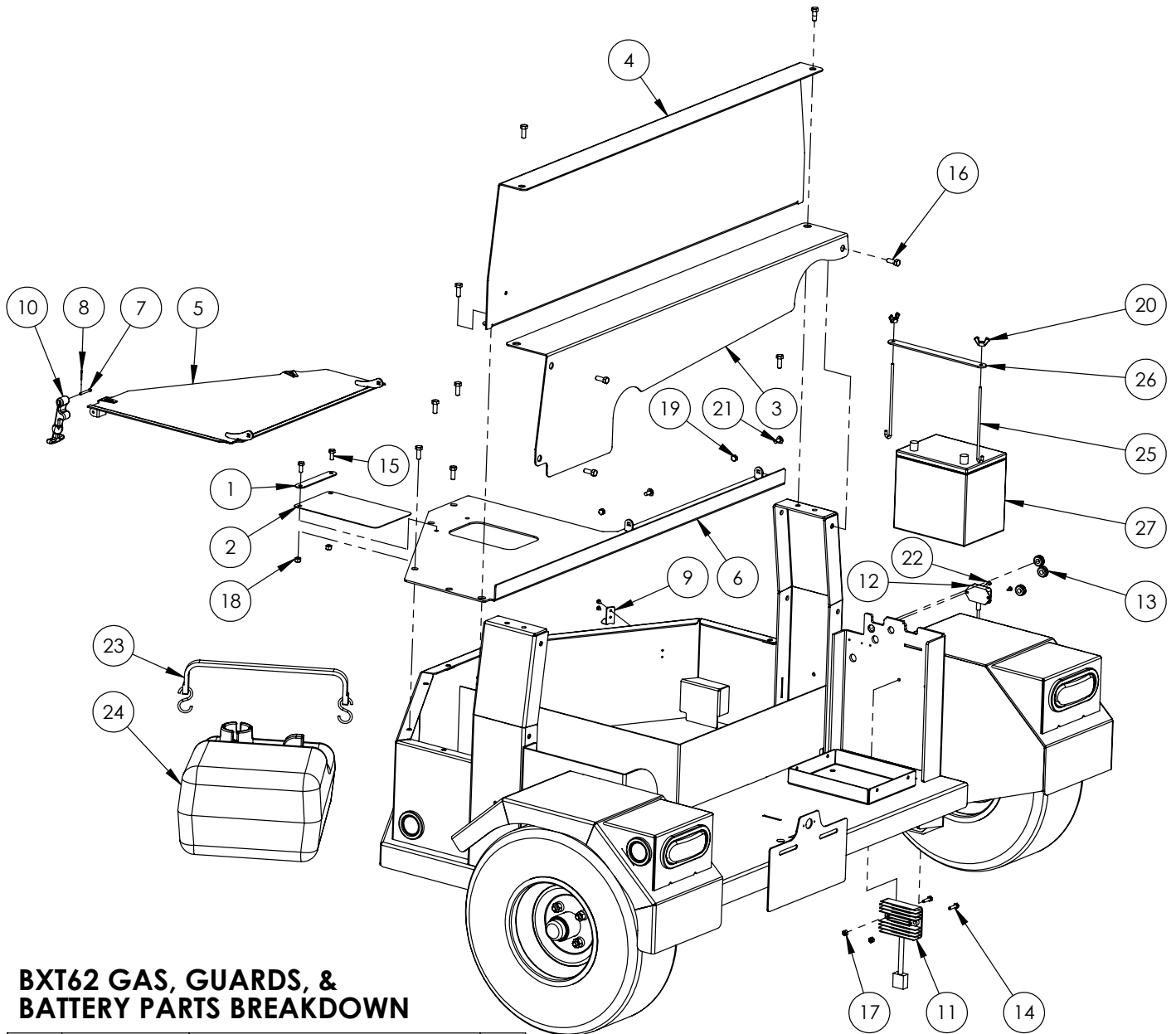
BXT6224 DRIVELINE PARTS BREAKDOWN

ITEM	PART NO.	DESCRIPTION	QTY
1	1053W304	Engine Adjustment Plate	1
2	Z41254	Double "B" Belt x 87	1
3	Z41512	SK Bushing, 2 Bore	1
4	Z41702	Double "B" Sheave, 12.75" Pitch	1
5	Z41902	Clutch 1-1/8 Bore x Dbl"B" 3.9P	1
6	Z46353	Spacer 1-1/8ID x 1.065	1
7	Z46532	Key 1/4 x 1/4 x 1-1/2	1
8	Z46561	Key 1/2 x 1/2 x 2	1
9	Z47162	GX670 Honda 24hp Engine	1
10	Z62815	Vinyl coated J-clip 1/2"	1
11	Z71220	Hex Bolt 5/16NC x 2	3
12	Z71472	Hex Bolt 7/16NF x 1-1/2	1
13	Z71660	Hex Bolt 5/8NC x 6	1
14	Z72231	Hex Lock Nut 3/8NC	8
15	Z73130	Flat Washer 3/8	8
16	Z73160	Flat Washer 5/8	1
17	1052L917	Clutch Trap Washer	1
18	Z73320	Lock Washer 5/16	3
19	Z74110	Set Screw 1/4NC	1
20	Z76232	Carriage Bolt 3/8NC x 1-1/4	4
21	Z76632	Plow Bolt 3/8NC x 2	4



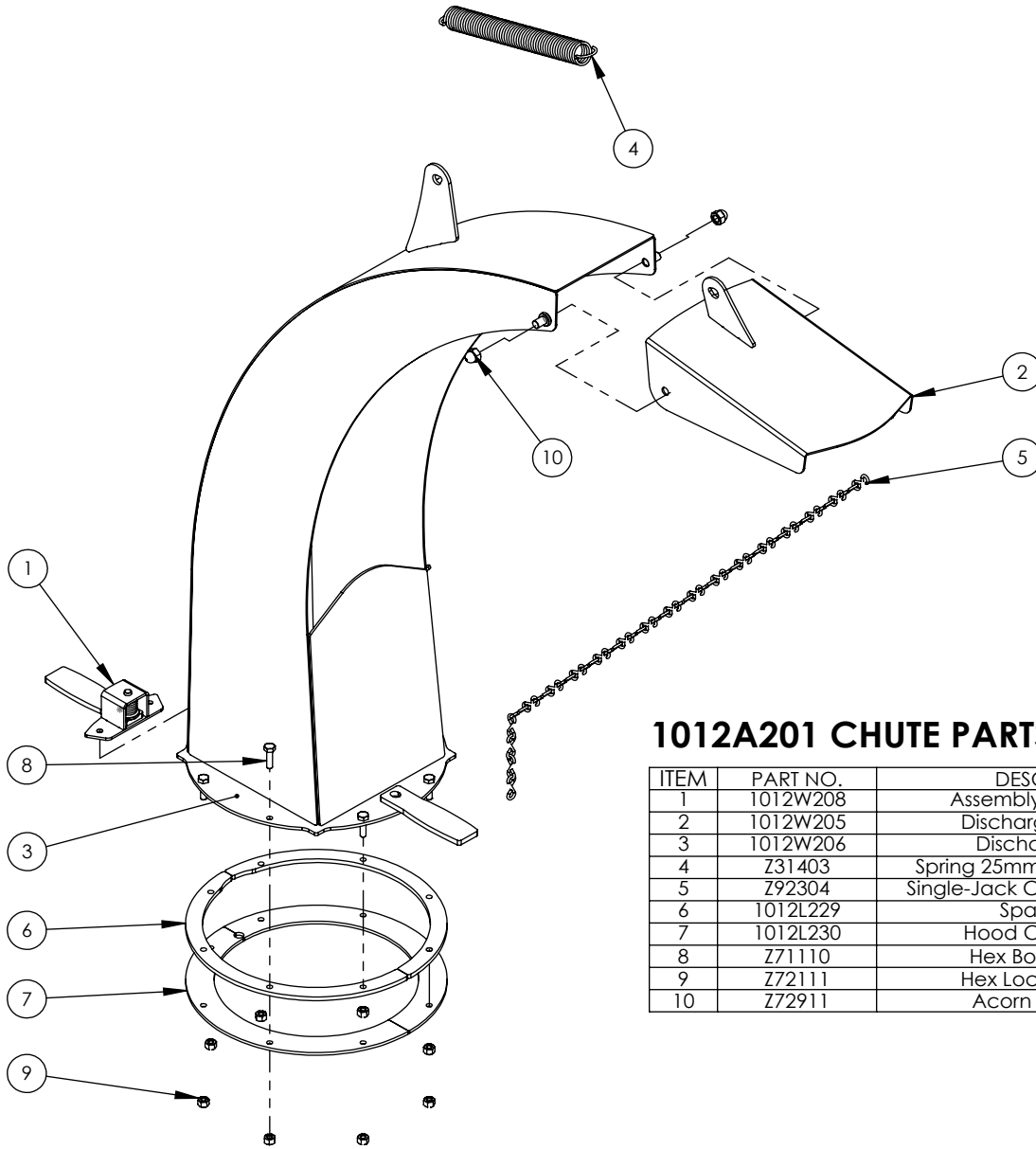
BXT62 BLOWER PARTS BREAKDOWN

ITEM	PART NO.	DESCRIPTION	QTY
1	1012A202	Self-Feed Hopper	1
2	1012A201	Assembly, Discharge Chute	1
3	1053W202	Housing, Upper Rotor	1
4	Z12110	Latch Pin 3/16	1
5	Z71512	Hex Bolt 1/2NC x 1-1/4	5
6	Z72251	Hex Lock Nut 1/2NC	4
7	Z72531	Flange Nut 3/8NC	2



BXT62 GAS, GUARDS, & BATTERY PARTS BREAKDOWN

ITEM	PART NO.	DESCRIPTION	QTY
1	1052L124	Gas Flap Strap	1
2	1052S103	Flap, Fuel Tank	1
3	1053L322	Rear Belt Guard	1
4	1053L325	Front Guard	1
5	1053W305	Tank Cover	1
6	1053W307	Weldment, Bay Cover	1
7	Z11301	Clevis Pin 3/16 x 1-3/8	2
8	Z12301	Cotter Pin 3/32 X 3/4	2
9	Z18201-2	Top Bracket	2
10	Z18201-3	Hood Latch Strap	2
11	Z47901	Regulator Rectifier	1
12	Z47902	HONDA Hour Meter / Tach	1
13	Z62808	Rubber Grommet 7/16 x 1/4	3
14	Z71110	Hex Bolt 1/4NC x 1	2
15	Z71207	Hex Bolt 5/16NC x 3/4	2
16	Z71310	Hex Bolt 3/8NC x 1	11
17	Z72111	Hex Lock Nut 1/4NC	2
18	Z72221	Hex Lock Nut 5/16NC	2
19	Z72914	Acorn Nut, 5/16NC	2
20	Z72921	Wing Nut 1/4NF	2
21	Z76221	Carriage Bolt 5/16NC x 3/4	2
22	Z76711	Self-tapping Screw #10	6
23	Z92401	3/4" x 2' Bungee Strap	1
24	Z93101	25L Marine Fuel Tank	1
25	Z93202	J-Hook 1/4 x 7	2
26	Z93207	Hold-Down Strap, 1 x 8-1/2	1
27	Z93201	250 CCA Battery	1



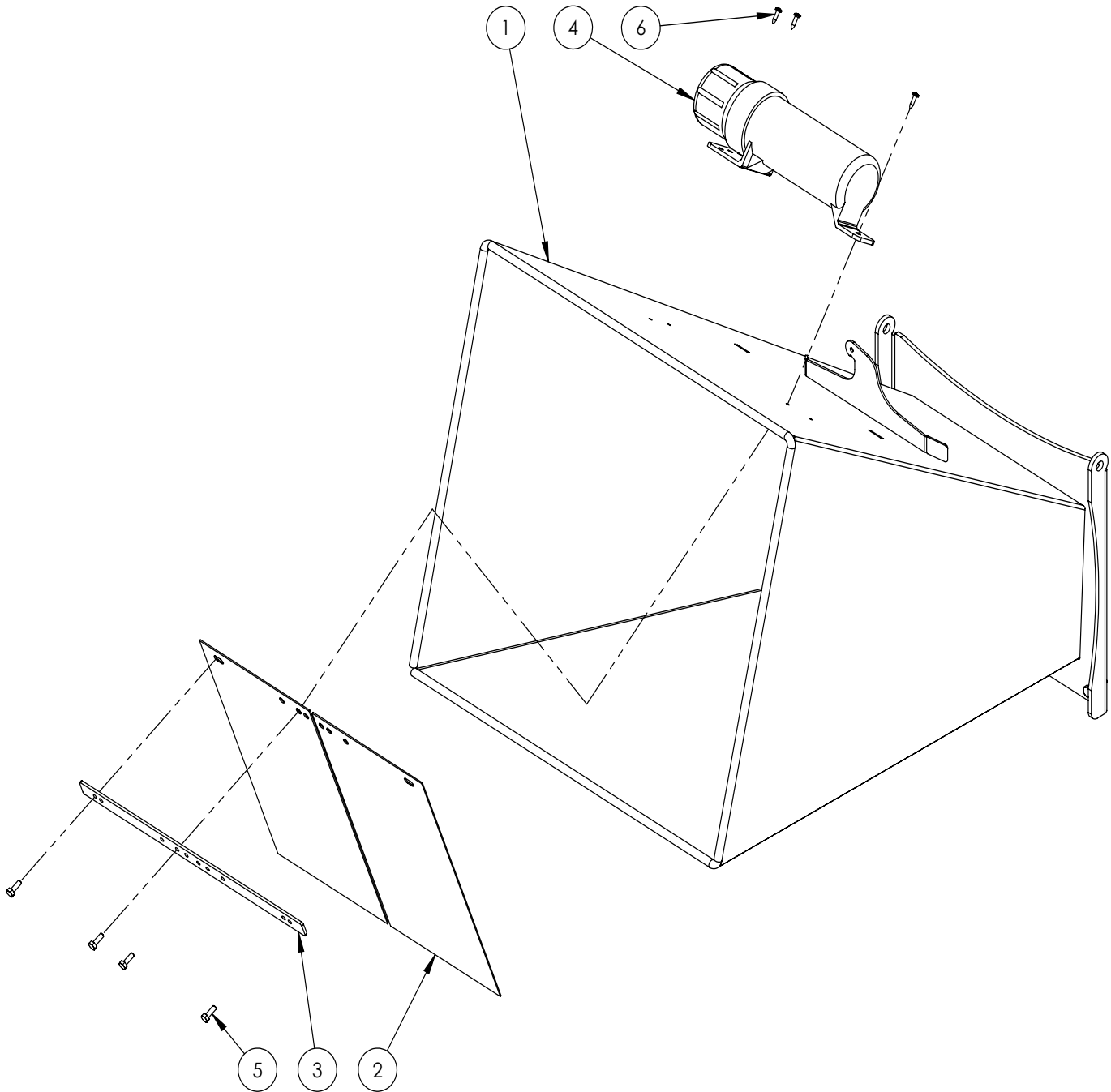
1012A201 CHUTE PARTS BREAKDOWN

ITEM	PART NO.	DESCRIPTION	QTY
1	1012W208	Assembly, Hood Latch	1
2	1012W205	Discharge Deflector	1
3	1012W206	Discharge Chute	1
4	Z31403	Spring 25mm x 178mm Heavy	1
5	Z92304	Single-Jack Chain # 10 [35 links]	3.2
6	1012L229	Spacer Ring	2
7	1012L230	Hood Capture Ring	2
8	Z71110	Hex Bolt 1/4NC x 1	8
9	Z72111	Hex Lock Nut 1/4NC	8
10	Z72911	Acorn Nut, 3/8NC	2

This Page is Intentionally Blank

BXT62 HOPPER PARTS BREAKDOWN

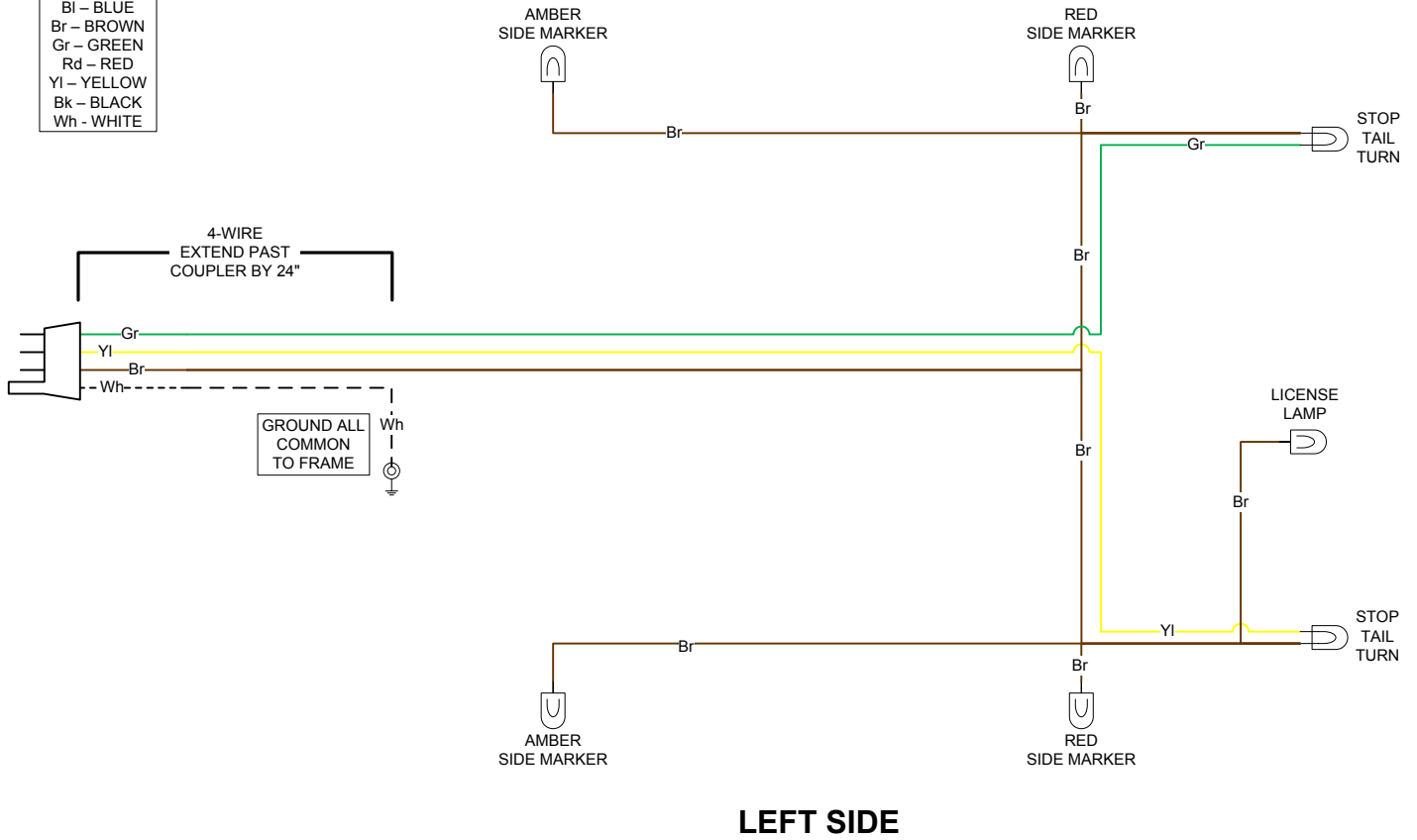
ITEM	PART NO.	DESCRIPTION	QTY
1	1012W207	Hopper, Self-Feed BX62	1
2	1011S103	Flap, Hopper	2
3	1012L251	Strap, Hopper Flap	1
4	Z96503	Manual Tube 3-1/2 Short	1
5	Z71107	Hex Bolt 1/4NC x 3/4	4
6	Z76712	Self-tapping Screw #10	3



This Page is Intentionally Blank

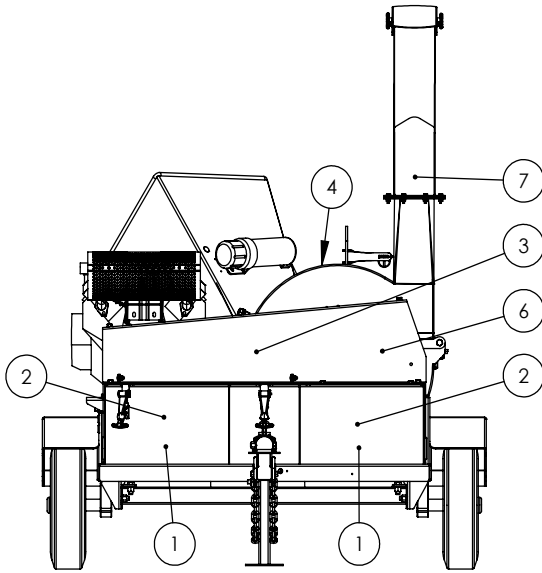
BXT62 WIRING

KEY	
Bl	- BLUE
Br	- BROWN
Gr	- GREEN
Rd	- RED
Yl	- YELLOW
Bk	- BLACK
Wh	- WHITE

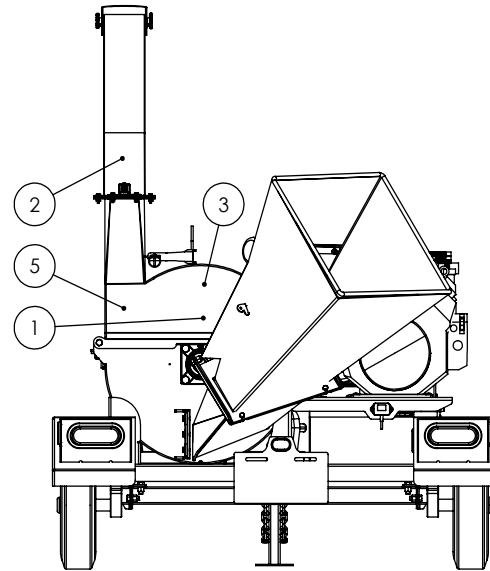


BXT6224 DECAL BREAKDOWN

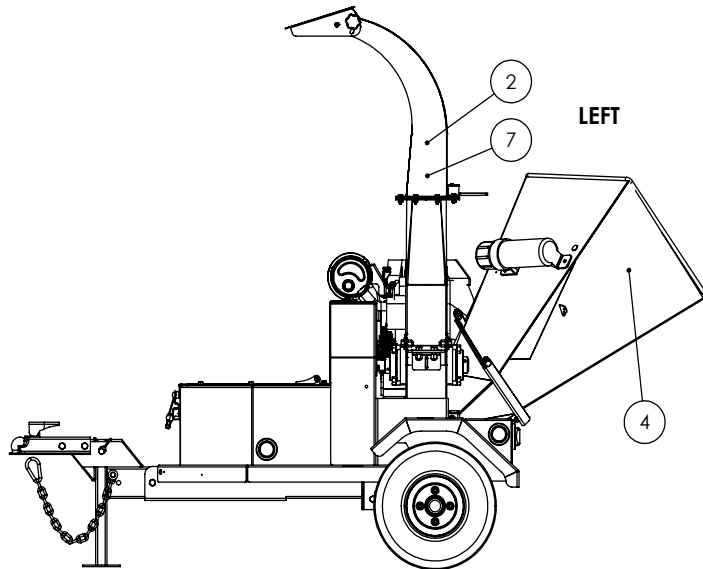
ITEM	PART NO.	DESCRIPTION	QTY
1	Z94056	WALLENSTEIN Decal	3
2	Z94019	1" Dia. Made In Canada	5
3	Z94107	BXT6224 Decal	2
4	Z94007	DANGER - Rotating Blades	4
5	Z94006	CAUTION - Read Manual	1
6	Z94012	WARNING - Rotating Part Hazard	1
7	Z94008	DANGER - Thrown Object Hazard	3
8	Z94013	DANGER - Missing Guard	1



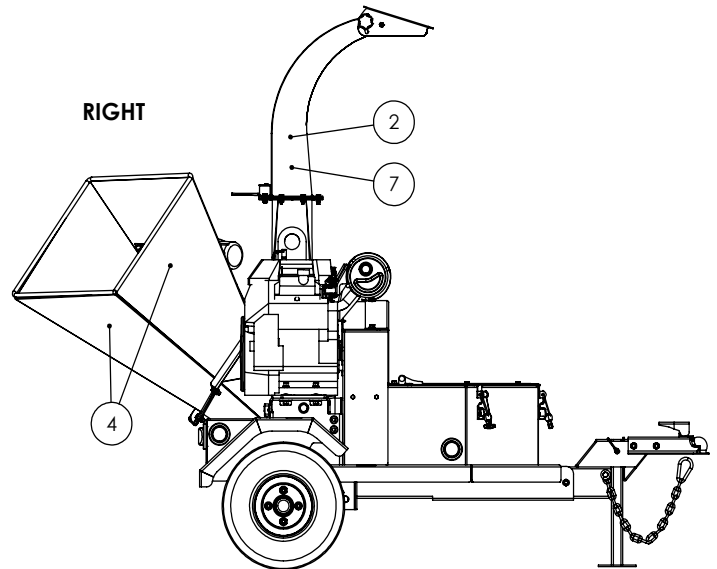
FRONT



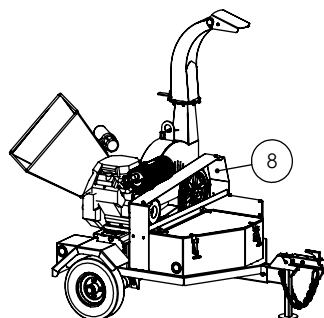
BACK



LEFT



RIGHT



Decals BXT6224

Z94056



Z94107



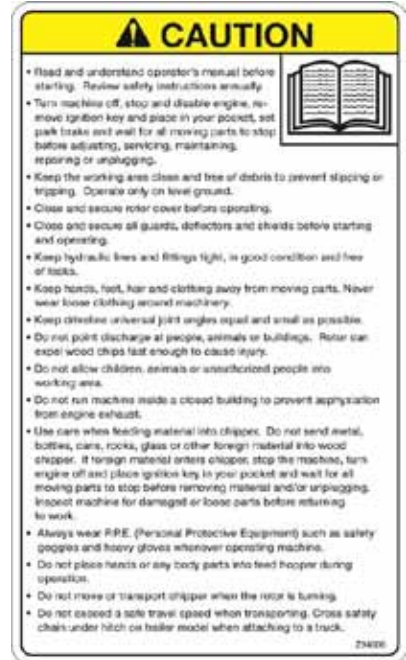
Z94007



Z94019



Z94006



Z94019



Z94012



Z94008





WALLENSTEIN Products Manufactured by:

EMB MFG Inc.

4144 Boomer Line
St. Clements, Ontario
Canada N0B 2M0
Phone: 1-877-695-9283
Fax: 519-699-4146
www.embmfg.com