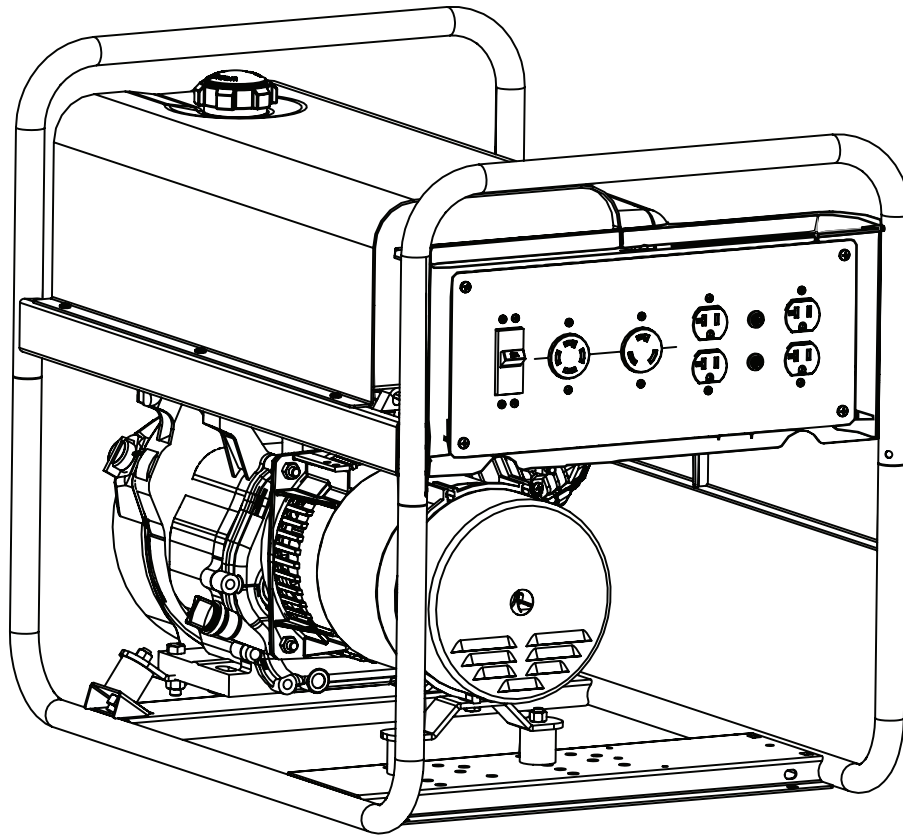




EMB Manufacturing Inc.  
4144 Boomer Line · St. Clements, On · N0B 2M0 · Canada  
Ph: (519) 699-9283 · Fax: (519) 699-4146  
www.embmfg.com

# EU6000/ EU6000E Generator Parts Manual



Refer to the operators  
manual for safe  
operation and  
maintenance

EU6000 RevB Parts Manual.110116  
Rev # 110615

## Foreword

EMB Mfg. has prepared this parts manual to assist customers in ordering quality OEM replacement parts.

Proper and regular service and replacing old, worn or broken parts with the correct OEM parts are essential to prolonging the life of your EMB product. Please refer to this manual before ordering any replacement parts.

All information contained in this parts manual is based on the latest product specification available at the time of printing this manual. If your product differs from the specifications contained within this manual contact EMB Mfg. for information.

EMB reserves the right to alter specifications on their products at any time.

Reproduction of this parts manual of any kind is prohibited without prior written permission from EMB Mfg.

For parts and information please contact your dealer. If your dealer is no longer available please go to our website: <http://www.embmfg.com> and click on "FIND A DEALER NEAR YOU" for information on a local dealer.

## Table of Contents

<b>Bolt Torque.....</b>	<b>4</b>
<b>EU6000 Assembly.....</b>	<b>5</b>
<b>Electrical Panel Assembly .....</b>	<b>6</b>
<b>Alternator.....</b>	<b>7</b>
<b>EU6000 Wiring Diagram.....</b>	<b>8</b>
<b>EU6000E Wiring Diagram .....</b>	<b>9</b>
<b>Accessories.....</b>	<b>10</b>

Alternator maintenance should be performed by trained personnel only.



Exercise extreme caution when working with exposed wiring of the alternator, be aware that high voltage discharge of the capacitor is a danger.

**Bolt Torque**

**CHECKING BOLT TORQUE**

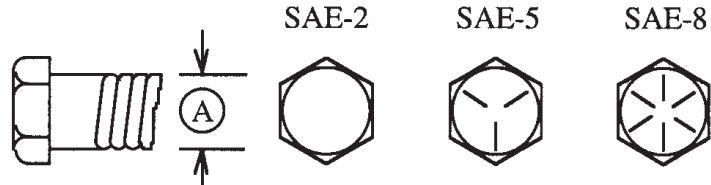
The tables shown below give correct torque values for various bolts and capscrews. Tighten all bolts to the torques specified in chart unless otherwise noted. Check tightness of bolts periodically, using bolt torque chart as a guide. Replace hardware with the same strength bolt.

Torque figures indicated above are valid for non-greased or non-oiled threads and heads unless otherwise specified. Therefore, do not grease or oil bolts or capscrews unless otherwise specified in this manual. When using locking elements, increase torque values by 5%.

\* Torque value for bolts and capscrews are identified by their head markings.

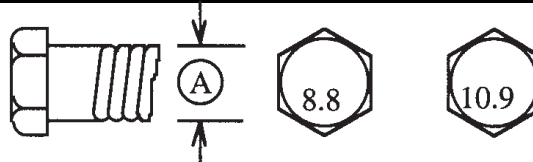
**ENGLISH TORQUE SPECIFICATIONS**

Bolt Diameter "A"	Bolt Torque*					
	SAE 2 (N.m) (lb-ft)		SAE 5 (N.m) (lb-ft)		SAE 8 (N.m) (lb-ft)	
1/4"	8	6	12	9	17	12
5/16"	13	10	25	19	36	27
3/8"	27	20	45	33	63	45
7/16"	41	30	72	53	100	75
1/2"	61	45	110	80	155	115
9/16"	95	60	155	115	220	165
5/8"	128	95	215	160	305	220
3/4"	225	165	390	290	540	400
7/8"	230	170	570	420	880	650
1"	345	225	850	630	1320	970

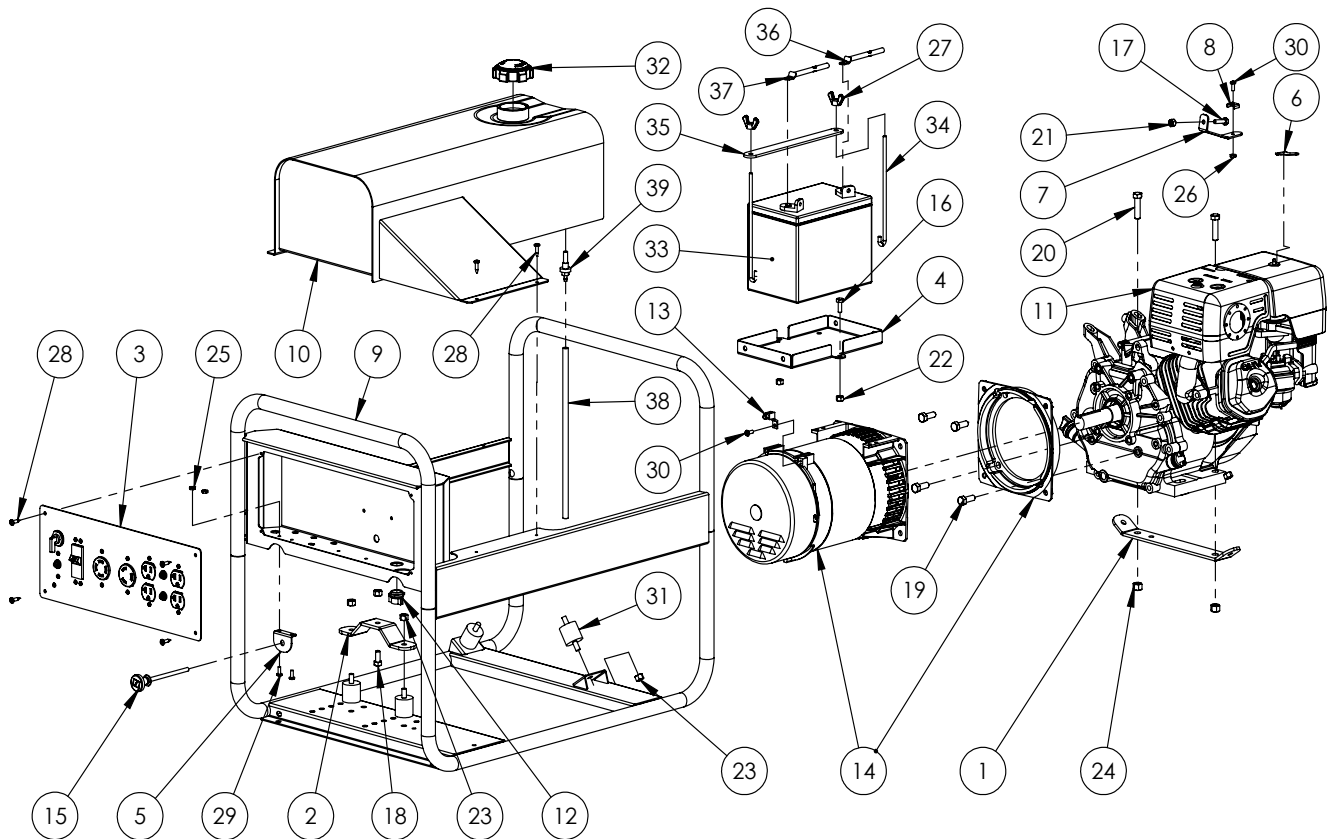


**METRIC TORQUE SPECIFICATIONS**

Bolt Diameter "A"	Bolt Torque*			
	8.8 (N.m) (lb-ft)		10.9 (N.m) (lb-ft)	
M3	0.5	0.4	1.8	1.3
M4	3	2.2	4.5	3.3
M5	6	4	9	7
M6	10	7	15	11
M8	25	18	35	26
M10	50	37	70	52
M12	90	66	125	92
M14	140	103	200	148
M16	225	166	310	229
M20	435	321	610	450
M24	750	553	1050	774
M30	1495	1103	2100	1550
M36	2600	1917	3675	2710



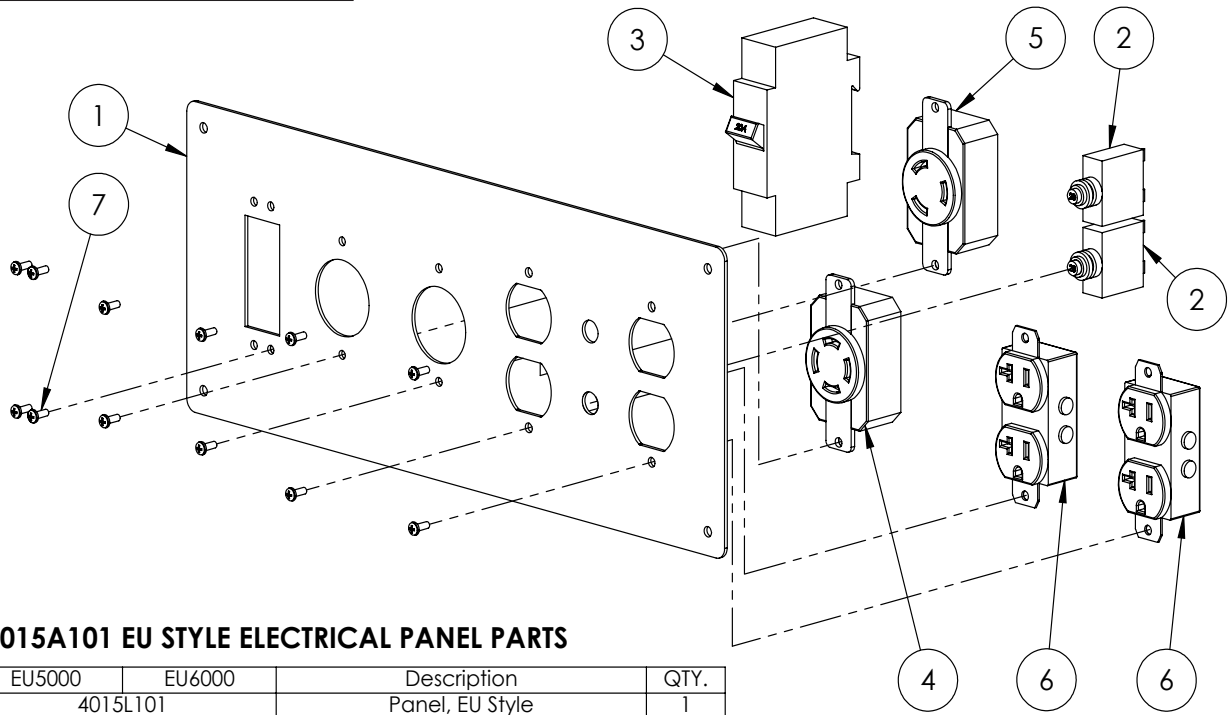
**EU6000 Assembly**



**EU SERIES GENERATOR PARTS BREAKDOWN**

ITEM	EU5000E	EU6000E	EU7200E	EU5000	EU6000	Description	QTY.
1			4014L405			Engine Mount Plate	1
2			4014L406			1-3/16" Offset Gen Plate	1
3		4015A501		4015A101		Assembly, Electrical Panel	1
4		4015L504		-		Tray, Battery	1
5		4015L517		-		Bracket, Choke Cable	1
6		4015L555		-		Bracket, Choke Lever	1
7		4015L556		-		Bracket, Cable Mount	1
8		4015L557		-		Clamp, Choke Cable	1
9			4015W501			Main Frame, EU/GF Style	1
10			4015W505			Fuel Tank, EU / GF Style	1
11	Z47138	-	-	Z47137	-	Honda 9hp Engine	1
	-	Z47143	-	-	Z47142	Honda 11hp Engine	
	-	-	Z47148	-	-	Honda 13hp Engine	
12			Z62261			Box Connector, 3/8	1
13			Z62711			Grounding Terminal, 6-14	1
14	Z65404	-	-	Z65404	-	Alternator, 4.9 kVA	1
	-	Z65405	-	-	Z65405	Alternator, 6.0 kVA	
	-	-	Z65406	-	-	Alternator, 6.8 kVA	
15		Z66801		-		Choke Cable	1
16		Z71107		-		Hex Bolt 1/4NC x 3/4	2
17		Z71110		-		Hex Bolt 1/4NC x 1	3
18			Z71207			Hex Bolt 5/16NC x 3/4	1
19			Z71310			Hex Bolt 3/8NC x 1	4
20	Z71315	-	-	Z71315	-	Hex Bolt 3/8NC x 1-1/2	2
	-	Z71317	Z71317	-	Z71317	Hex Bolt 3/8NC x 1-3/4	
22		Z72111		-		Hex Lock Nut 1/4NC	2
23			Z72221			Hex Lock Nut 5/16NC	9
24			Z72231			Hex Lock Nut 3/8NC	2
25		Z72752		-		Machine Nut, #10NF	2
26		Z72752		-		Machine Nut, #10NF	1
27		Z72921		-		Wing Nut 1/4NF	2
28			Z76712			Self-tapping Screw #10	9
29		Z78303		-		Machine Screw #10NF x 1/2	4
31			Z79931			Rubber Mount	4
32			Z93103			Fuel Cap	1
33		Z93201		-		250 CCA Battery	1
34		Z93202		-		J-Hook 1/4 x 7	2
35		Z93207		-		Hold-Down Strap, 1 x 8-1/2	1
36		Z93208		-		Battery Cable, Neg 20"	1
37		Z93211		-		Battery Cable, Pos 32"	1
38			Z93304			Fuel Line, 1/4" x 12"	1
39			Z93305			In-Line Filter, 1/4	1

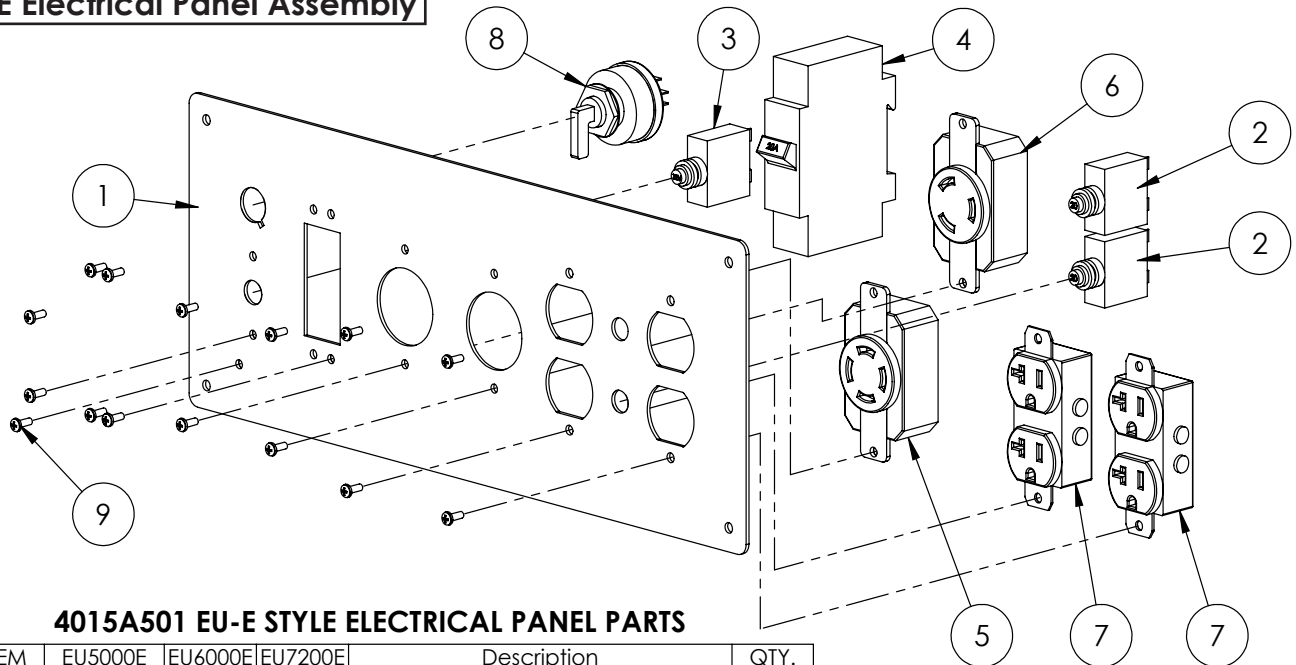
**EU6000 Electrical Panel Assembly**



**4015A101 EU STYLE ELECTRICAL PANEL PARTS**

ITEM	EU5000	EU6000	Description	QTY.
1	4015L101		Panel, EU Style	1
2	Z62612		Popout Breaker, 20A	2
3	Z62602	-	Thermal Breaker, 12A TC1 OL1	1
	-	Z62616	Thermal Breaker, 15A TC1 OL1	
4	Z63403		Recp., 30A 125/250V L14-30	1
5	Z63404		Recp., 30A 125V L5-30	1
6	Z63406		Recp, 20A 125V 5-15R	2
7	Z78304		Machine Screw, #6NC x 3/8	12

**EU6000E Electrical Panel Assembly**



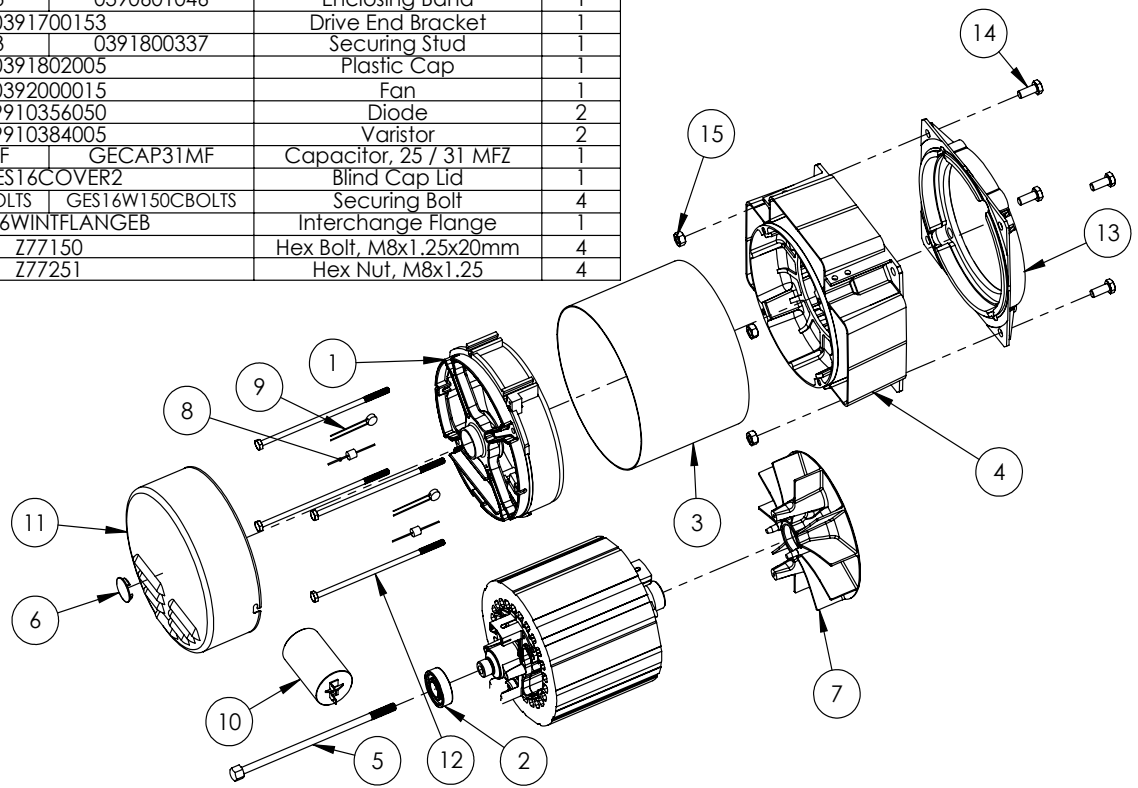
**4015A501 EU-E STYLE ELECTRICAL PANEL PARTS**

ITEM	EU5000E	EU6000E	EU7200E	Description	QTY.
1	4015L550			Panel, EU-E Style	1
2	Z62612			Popout Breaker, 20A	2
3	Z62615			Popout Breaker, 12V	1
4	Z62602	Z62616	Z62616	Thermal Breaker, 12A / 15A / 15A	1
5	Z63403			Recp., 30A 125/250V L14-30	1
6	Z63404			Recp., 30A 125V L5-30	1
7	Z63406			Recp, 20A 125V 5-15R	2
8	Z66105			Honda Starter, Key Switch	1
9	Z78304			Machine Screw, #6NC x 3/8	15

**Alternator**

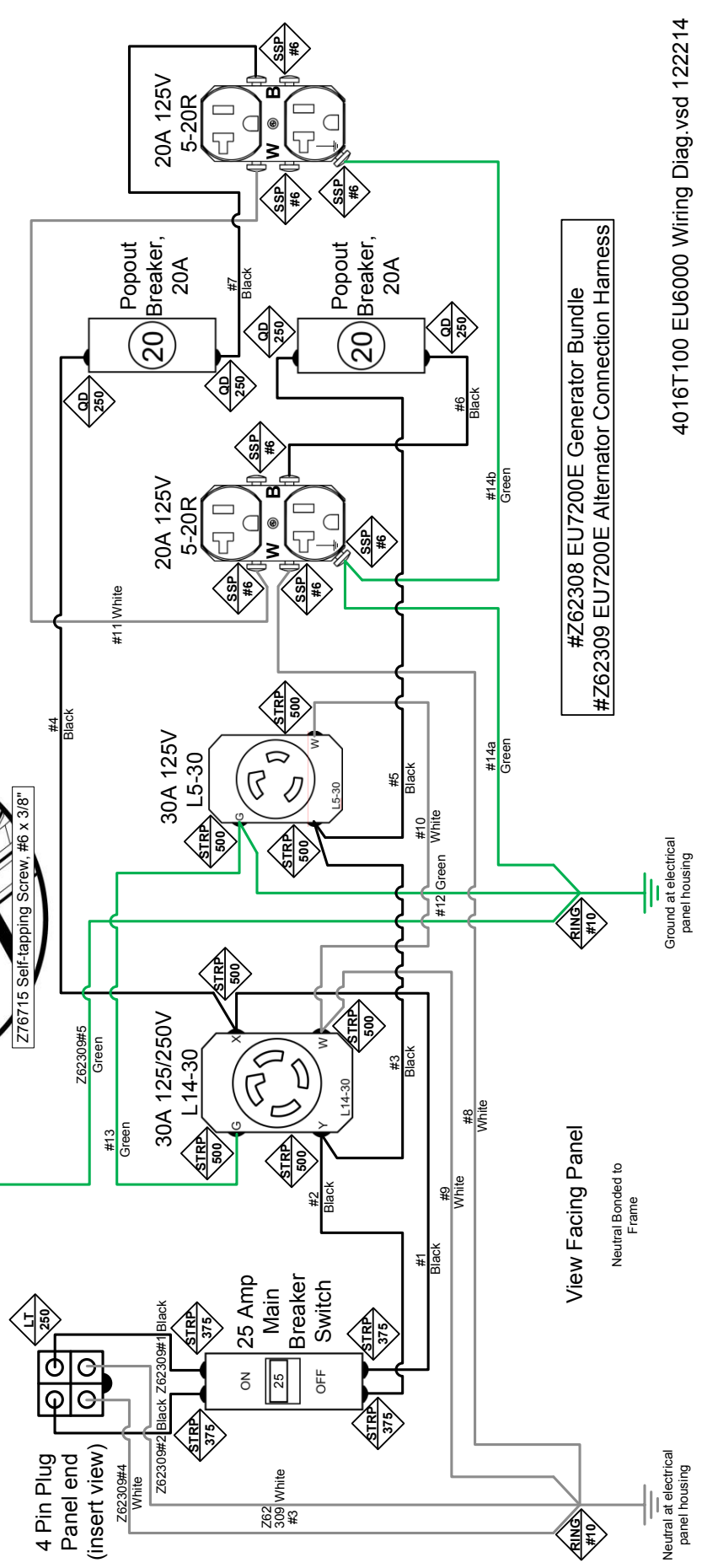
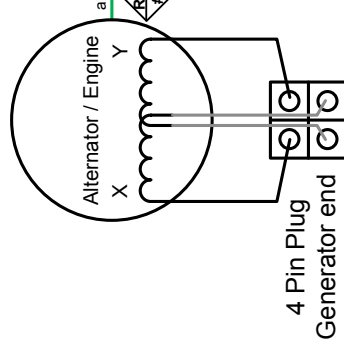
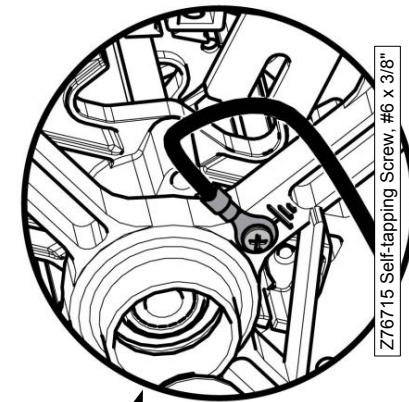
**Z65405 6 kVA / Z65406 6.8 kVA ALTERNATOR PARTS BREAKDOWN**

ITEM	Z65405	Z65406	Description	QTY.
1	0390302209		Non Drive End Bracket	1
2	0390302521		Rear Bearing	1
3	0390601043	0390601046	Enclosing Band	1
4	0391700153		Drive End Bracket	1
5	0391800323	0391800337	Securing Stud	1
6	0391802005		Plastic Cap	1
7	0392000015		Fan	1
8	9910356050		Diode	2
9	9910384005		Varistor	2
10	GECAP25MF	GECAP31MF	Capacitor, 25 / 31 MFZ	1
11	GES16COVER2		Blind Cap Lid	1
12	GES16W130CBOLTS	GES16W150CBOLTS	Securing Bolt	4
13	GES16WINTFLANGEB		Interchange Flange	1
14	Z77150		Hex Bolt, M8x1.25x20mm	4
15	Z77251		Hex Nut, M8x1.25	4



**EU6000 Wiring Diagram**

Connection Identification		
Connection Type	Sizes:	
QD	Male/Female Quick Disconnect	#6
SR	Serrated Ring	#8
SSP	Snap Spade	#10
FOD	Flag Quik Disconnect	0.156"
POD	Piggy Back Quik Disconnect	0.250"
STRP	Strip	0.313"
SPDE	Spade	0.500"
RING	Ring	0.500"
HOOK	Hook	0.750"
BLLT	Male/Female Bullet	
LT	Lock Tab	

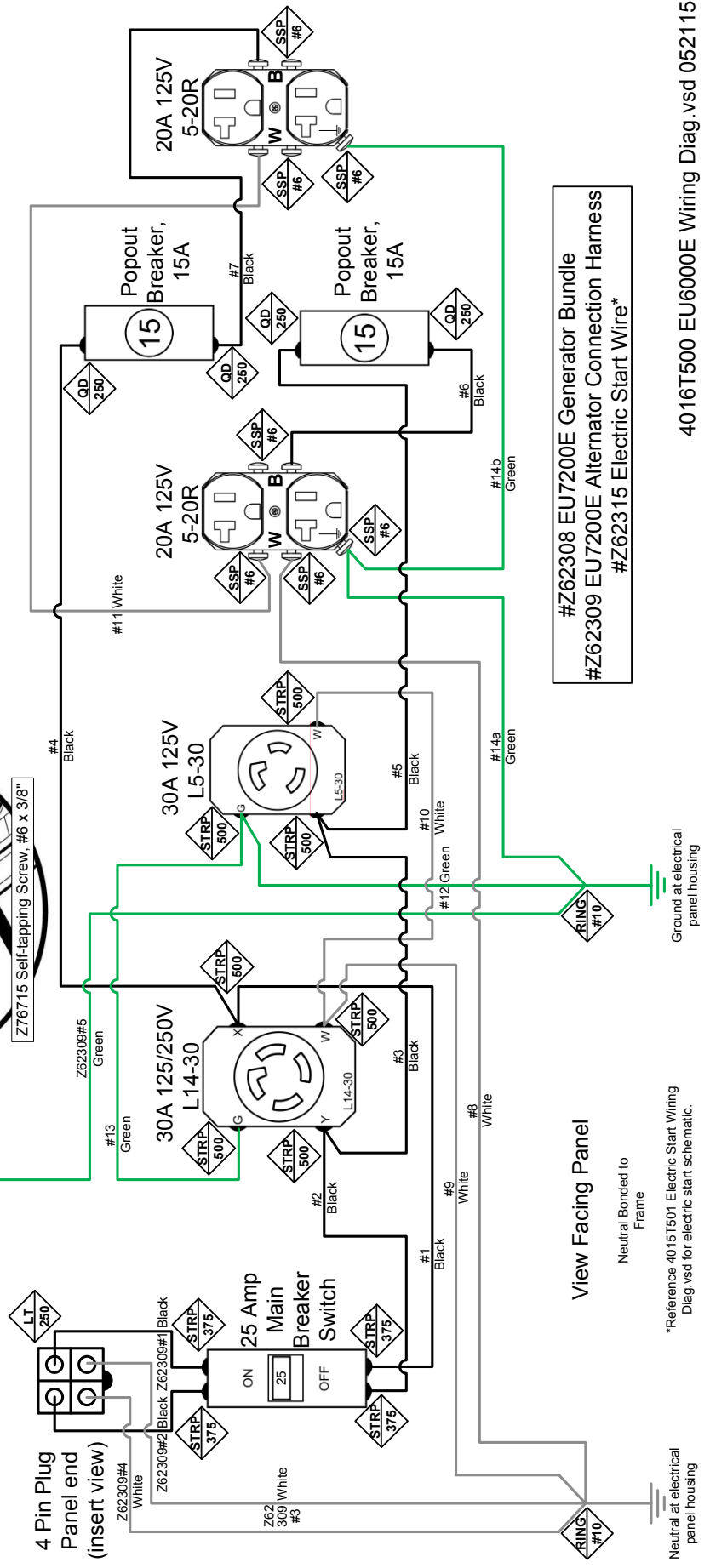
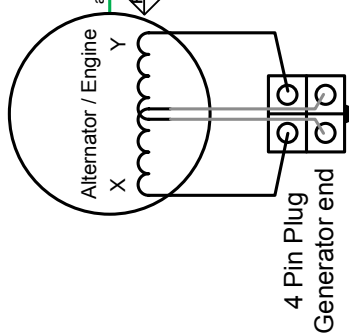
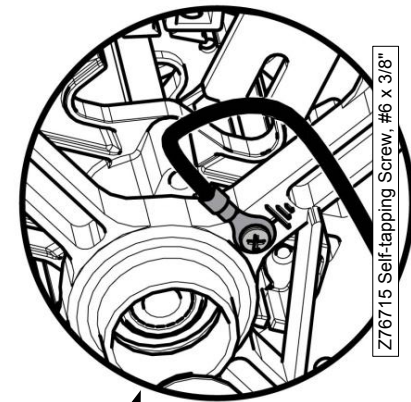


4016T100 EU6000 Wiring Diag.vsd 1222.14



**EU6000E Wiring Diagram**

Connection Identification	
<b>Connection Type</b>	<b>Sizes:</b>
QD Male/Female Quick Disconnect	#6
SR Serrated Ring	#8
SSP Snap Spade	#10
FOD Flag Quick Disconnect	0.156"
PQD Piggy Back Quick Disconnect	0.250"
STRP Strip	0.313"
SPDE Spade	0.500"
RING Ring	0.500"
HOOK Hook	0.750"
BILT Male/Female Bullet	
LT Lock Tab	



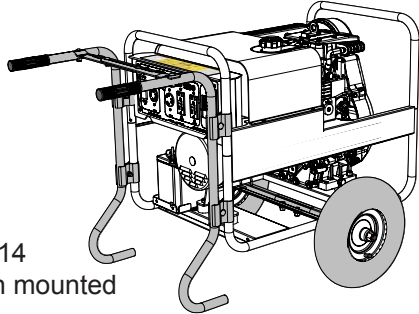



#Z62308 EU7200E Generator Bundle  
 #Z62309 EU7200E Alternator Connection Harness  
 #Z62315 Electric Start Wire\*

View Facing Panel  
 Neutral Bonded to Frame

\*Reference 4015T501 Electric Start Wiring Diag.vsd for electric start schematic.

**Accessories**

Call your dealer for pricing and availability

 <p>#WK214 Shown mounted</p>	<p>#WK210 TWO WHEEL KIT WITH 10" TIRES #WK214 TWO WHEEL KIT WITH 14" TIRES</p> <p>A must have add on kit for true portability! Kit consist of handles and axle with tires The kit is easy to install and simply clamps on to the existing frame.</p>
<div data-bbox="280 728 708 1299" style="border: 1px solid black; padding: 10px;">  <div style="display: flex; justify-content: space-around; margin-top: 10px;">   </div> <p style="text-align: center; margin-top: 10px;"><b>PORTABLE GENERATOR MODEL EU7200E, EU6000 &amp; EU5000E OPERATOR'S MANUAL</b></p> </div>	<p style="text-align: center;"><b>#Z91035 EU7200E, EU6000, &amp; EU5000E OPERATOR'S MANUAL</b></p> <p style="text-align: center; margin-top: 40px;">Available as a download at <a href="http://www.embmfg.com">www.embmfg.com</a></p>