



BXT4213 Chipper Parts Manual

S/N 2E9US1111AS030083 To S/N 2E9US1117DS030108



Foreword

EMB Mfg. has prepared this parts manual to assist customers in ordering quality OEM replacement parts.

Proper and regular service and replacing old, worn or broken parts with the correct OEM parts are essential to prolonging the life of your EMB product. Please refer to this manual before ordering any replacement parts.

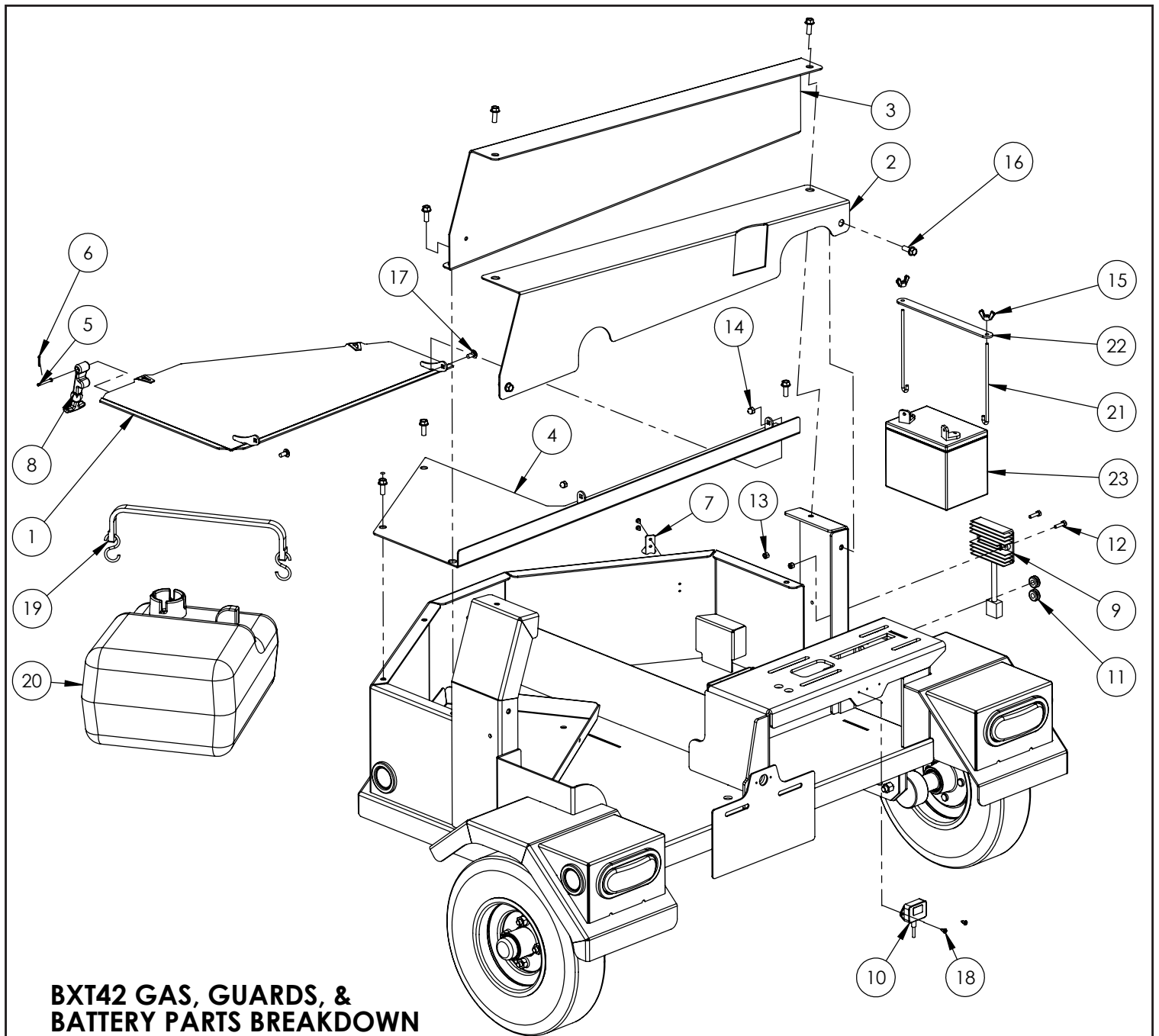
All information contained in this parts manual is based on the latest product specification available at the time of printing this manual. If your product differs from the specifications contained within this manual contact EMB Mfg. for information.

EMB reserves the right to alter specifications on their products at any time.

Reproduction of this parts manual of any kind is prohibited without prior written permission from EMB Mfg.

Table of Contents

Gas, Guards & Battery	4
Running Gear	5
Blower	6
Rotor	7
Discharge Chute	8
Driveline	9
Wiring Diagram	10
Hopper	11
Decals	12

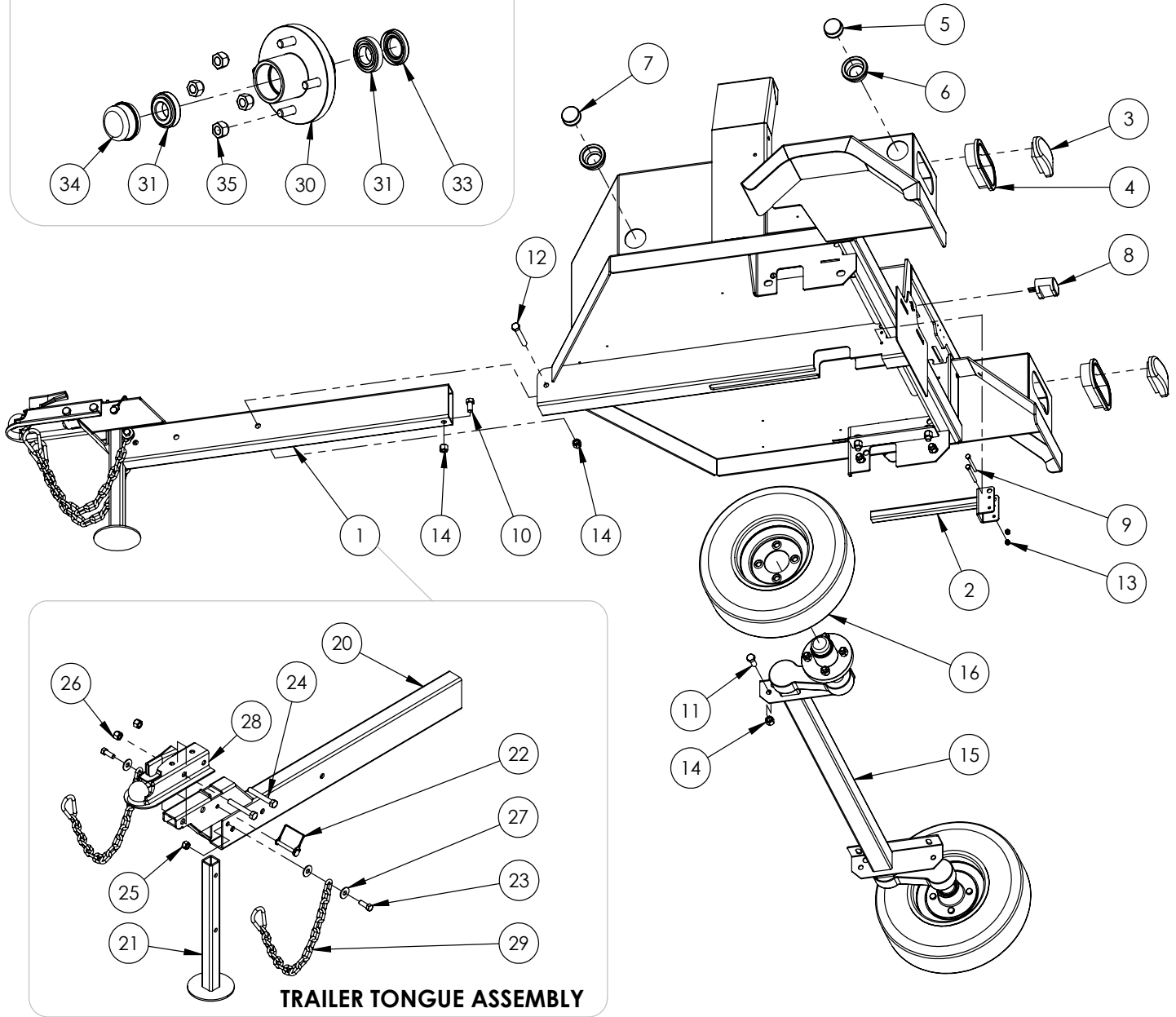


BXT42 GAS, GUARDS, & BATTERY PARTS BREAKDOWN

ITEM	PART NO.	DESCRIPTION	QTY
1	1052A104	Toolbox Lid	1
2	1052L122	Rear Belt Guard	1
3	1052L125	Front Belt Guard	1
4	1052W106	Weldment, Bay Cover	1
5	Z11301	Clevis Pin 3/16 x 1-3/8	2
6	Z12301	Cotter Pin 3/32 X 3/4	2
7	Z18201-2	Top Bracket	2
8	Z18201-3	Hood Latch Strap	2
9	Z47901	Regulator Rectifier	1
10	Z47902	HONDA Hour Meter / Tach	1
11	Z62808	Rubber Grommet 7/16 x 1/4	2
12	Z71112	Hex Bolt 1/4NC x 1-1/4	2
13	Z72111	Hex Lock Nut 1/4NC	2
14	Z72914	Acorn Nut, 5/16NC	2
15	Z72921	Wing Nut 1/4NF	2
16	Z76134	Flange Bolt, 3/8NC x 1	8
17	Z76221	Carriage Bolt 5/16NC x 3/4	2
18	Z76711	Self-tapping Screw #10	6
19	Z92401	3/4" x 2' Bungee Strap	1
20	Z93101	25L Marine Fuel Tank	1
21	Z93202	J-Hook 1/4 x 7	2
22	Z93207	Hold-Down Strap, 1 x 8-1/2	1
23	Z93204	325 CCA Battery	1

NOTE:
Items 9, 12 & 13 are not
on the BX4213 Model

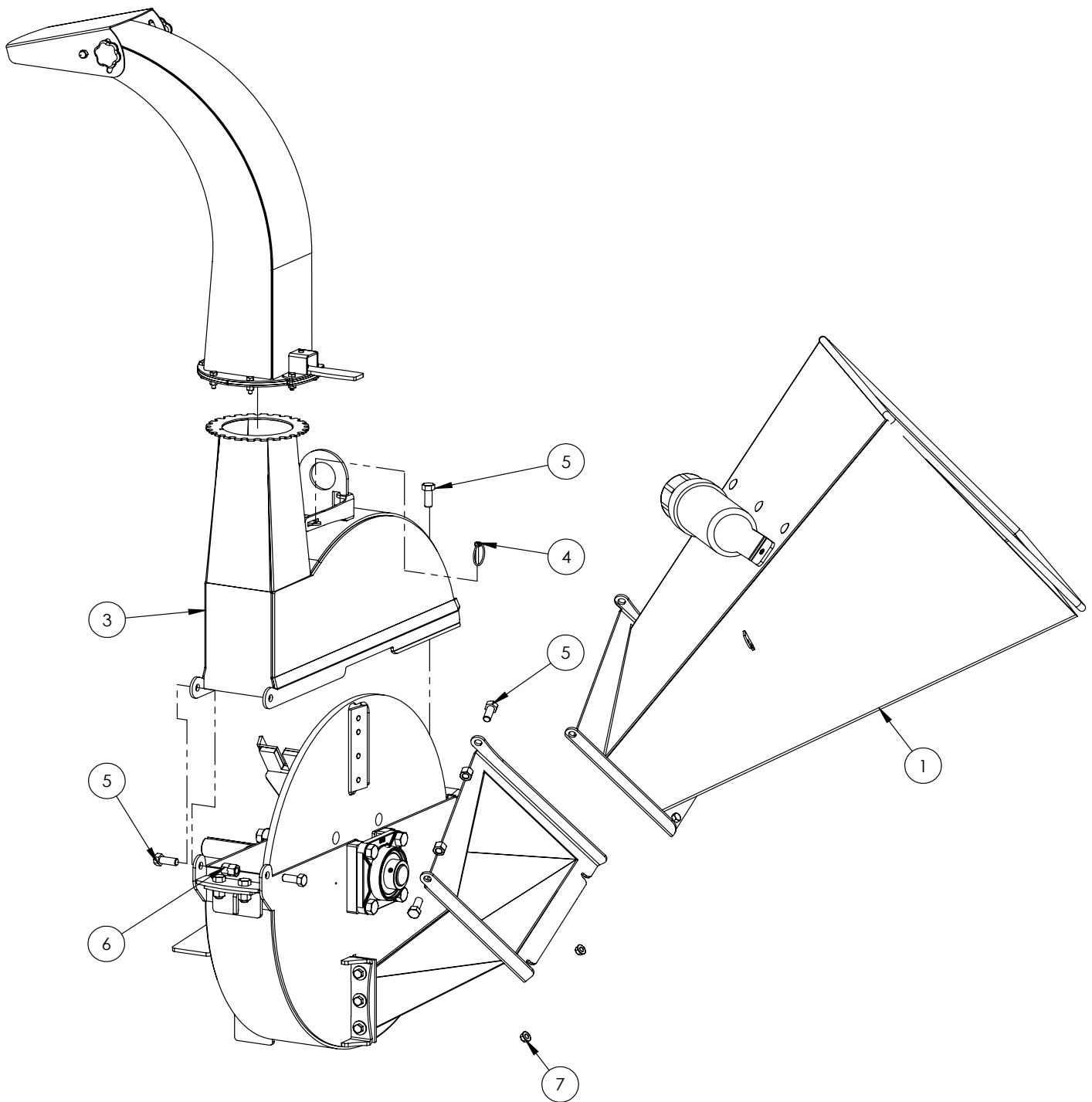
**Z91202 HUB ASSEMBLY - PARTS
TWO REQ'D PER UNIT**



**BXT42 RUNNING GEAR
PARTS BREAKDOWN**

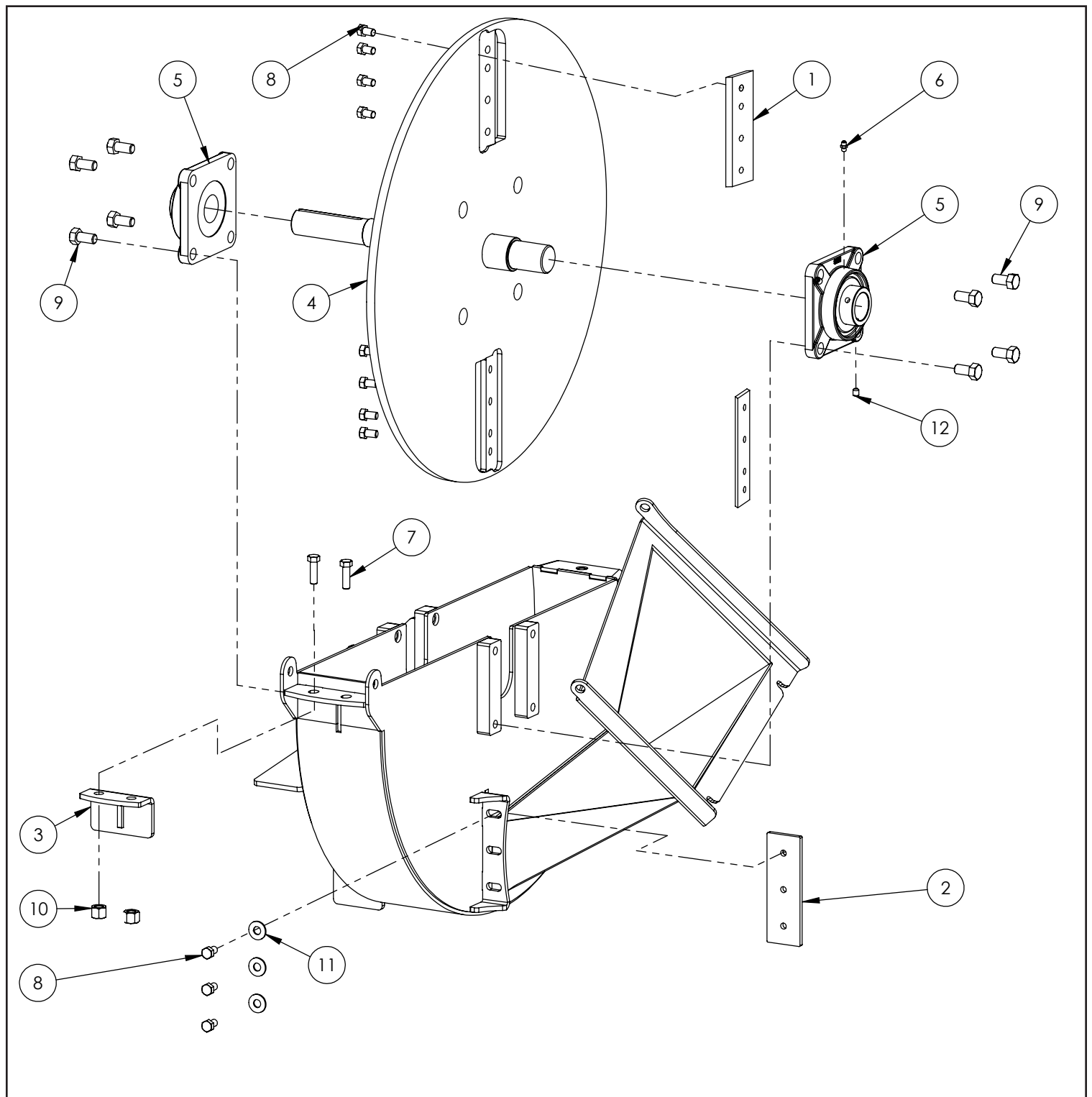
ITEM	PART NO.	DESCRIPTION	QTY
1	1052A101	Assembly, Trailer Tongue	1
2	1052W105	Wire Protector Weldment	1
3	Z61102	Oval Light 2-1/4 x 6-1/4, Red	2
4	Z61103	Oval Grommet 2-1/2 x 6.76	2
5	Z61201	Round Marker Lamp 2" Red	2
6	Z61202	Round Grommet 2" Lamp	4
7	Z61205	Round Marker Lamp 2" Amber	2
8	Z61301	License Lamp	1
9	Z71130	Hex Bolt 1/4NC x 3	2
10	Z71510	Hex Bolt 1/2NC x 1	1
11	Z71512	Hex Bolt 1/2NC x 1-1/4	8
12	Z71535	Hex Bolt 1/2NC x 3-1/2	1
13	Z72111	Hex Lock Nut 1/4NC	2
14	Z72251	Hex Lock Nut 1/2NC	10
15	Z91120	Torflex Axle 1000# 52' 22-1/2deg	1
16	Z91301	4.80-8 LRB SportTrail	2

ITEM	PART NO.	DESCRIPTION	QTY
20	1052W101	Main Spine	1
21	1052W102	Jack Stand	1
22	Z12432	Snapper Pin 3/8 x 2-1/2	1
23	Z71412	Hex Bolt 7/16NC x 1-1/4	2
24	Z71530	Hex Bolt 1/2NC x 3	2
25	Z72240	Hex Lock Nut, 7/16NC	2
26	Z72251	Hex Lock Nut 1/2NC	2
27	Z73240	Wide Flat Washer 7/16	4
28	Z91614	2" Hitch Coupler	1
29	Z92303	Safety Chain 1/4 x 2'	2
ITEM	PART NO.	DESCRIPTION	QTY
30	Z91201	1000# 4-Bolt Hub	1
31	Z23201	L44643 Cone, L44610 Cup	2
32	Z29201	Grease Fitting, 1/8NPT	1
33	Z28301	Double Lip Seal 1-1/4 Shaft	1
34	Z91801	Dust Cap 1.98 Bore	1
35	Z72931	Lug Nut 1/2NF	4



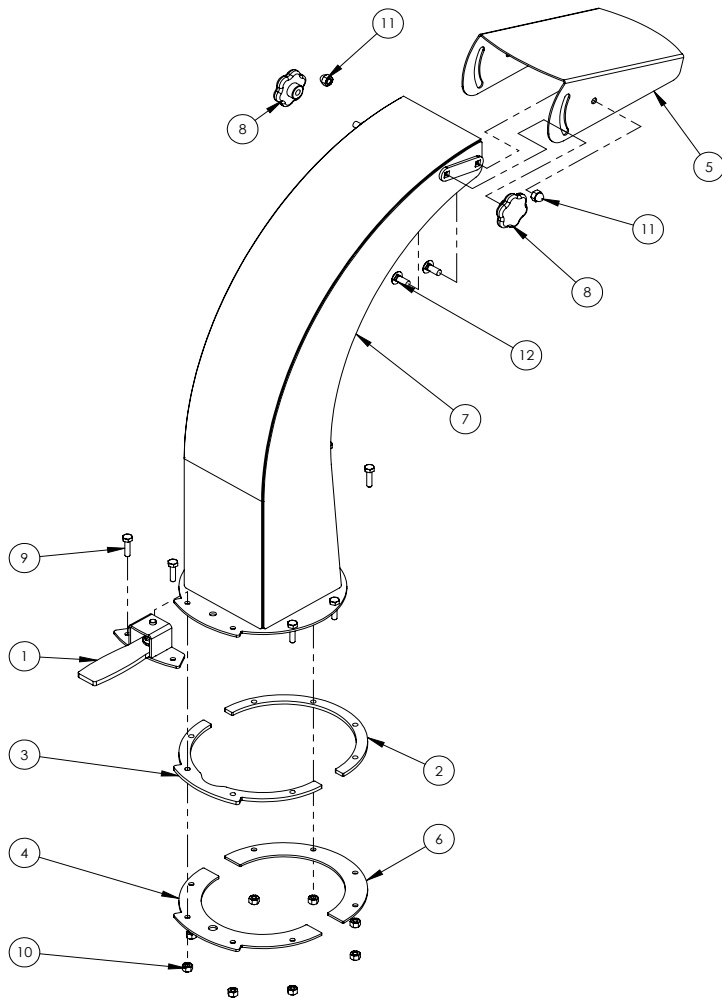
BXT42 BLOWER PARTS BREAKDOWN

ITEM	PART NO.	DESCRIPTION	QTY
1	1011A102	Self-Feed Hopper	1
3	1052W292	Housing, Upper Rotor	1
4	Z12110	Latch Pin 3/16	1
5	Z71512	Hex Bolt 1/2NC x 1-1/4	5
6	Z72251	Hex Lock Nut 1/2NC	4
7	Z72531	Flange Nut 3/8NC	2
8	Z73230	Wide Flat Washer 3/8	3



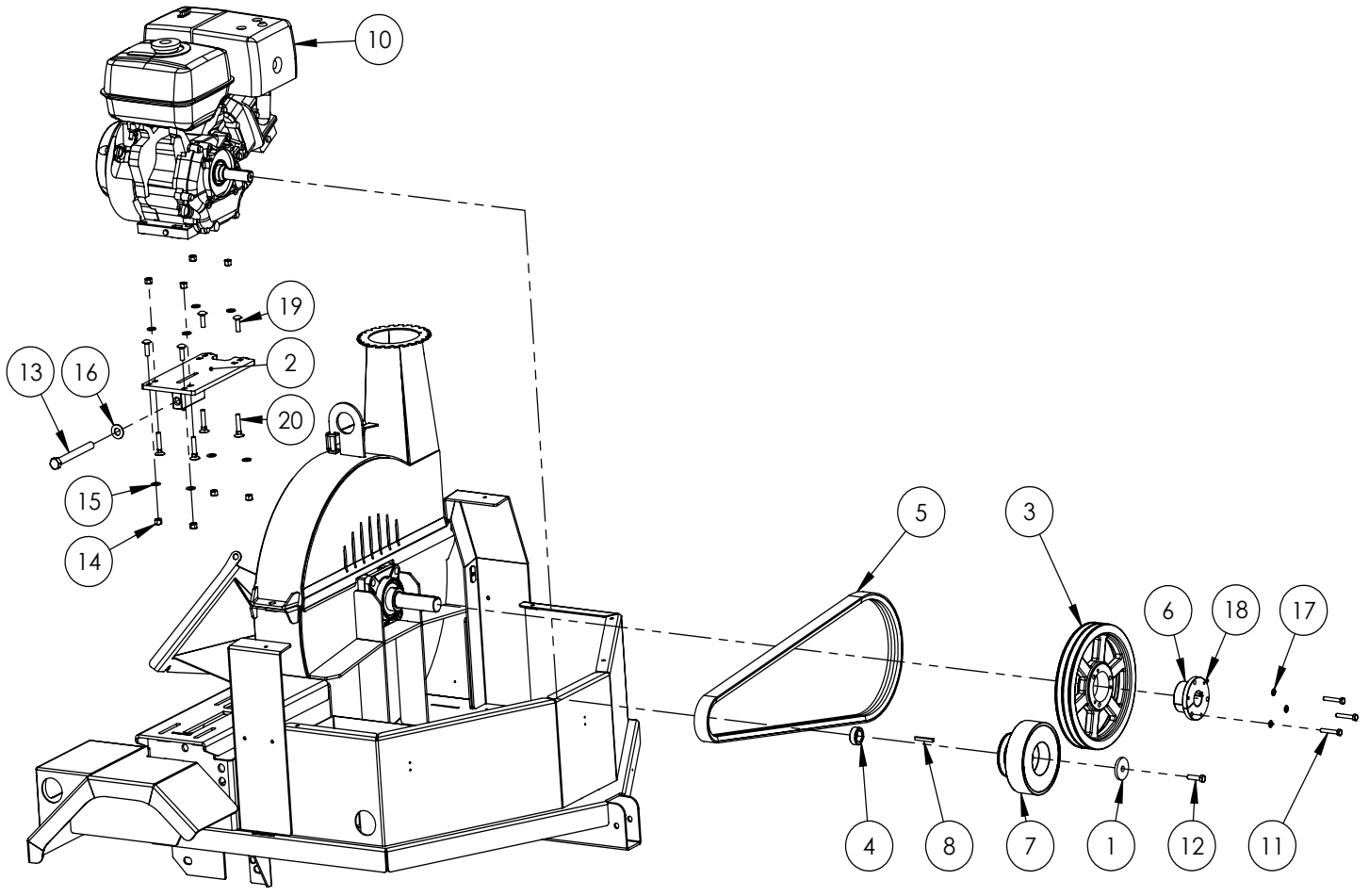
BXT42 ROTOR PARTS BREAKDOWN

ITEM	PART NO.	DESCRIPTION	QTY
1	1011M103	Knife, 4" Rotor	2
2	1011M104	Knife, 4" Ledger	1
3	1011W104	Twig Breaker	1
4	1052W293	Rotor	1
5	Z25204	4-Bolt Bearing 1-1/2" Bore	2
6	Z29202	Grease Zerk 1/4NF	2
7	Z71512	Hex Bolt 1/2NC x 1-1/4	2
8	Z71372G8	Hex Bolt, 3/8NF x 5/8 G8	11
9	Z71672G8	Hex Bolt 5/8NF x 1-3/4 G8	8
10	Z72251	Hex Lock Nut 1/2NC	2
11	Z73230	Wide Flat Washer 3/8	3
12	Z74122	Set Screw, 5/16NF	4



**1016A005 DISCHARGE CHUTE
PARTS BREAKDOWN**

ITEM	PART NO.	DESCRIPTION	QTY
1	1012W208	Assembly, Hood Latch	1
2	1016L027	Plate, Spacer Ring	1
3	1016L029	Plate, Spacer Ring	1
4	1016L030	Plate, Hood Capture	1
5	1016L033	Deflector, Discharge Chute	1
6	1016L034	Plate, Hood Capture	1
7	1016W007	Discharge Chute	1
8	Z19313	Knob, 5/16NC Female Stud	2
9	Z71110	Hex Bolt 1/4NC x 1	8
10	Z72111	Hex Lock Nut 1/4NC	8
11	Z72914	Acorn Nut, 5/16NC	2
12	Z76221	Carrage Bolt 5/16NC x 3/4	4



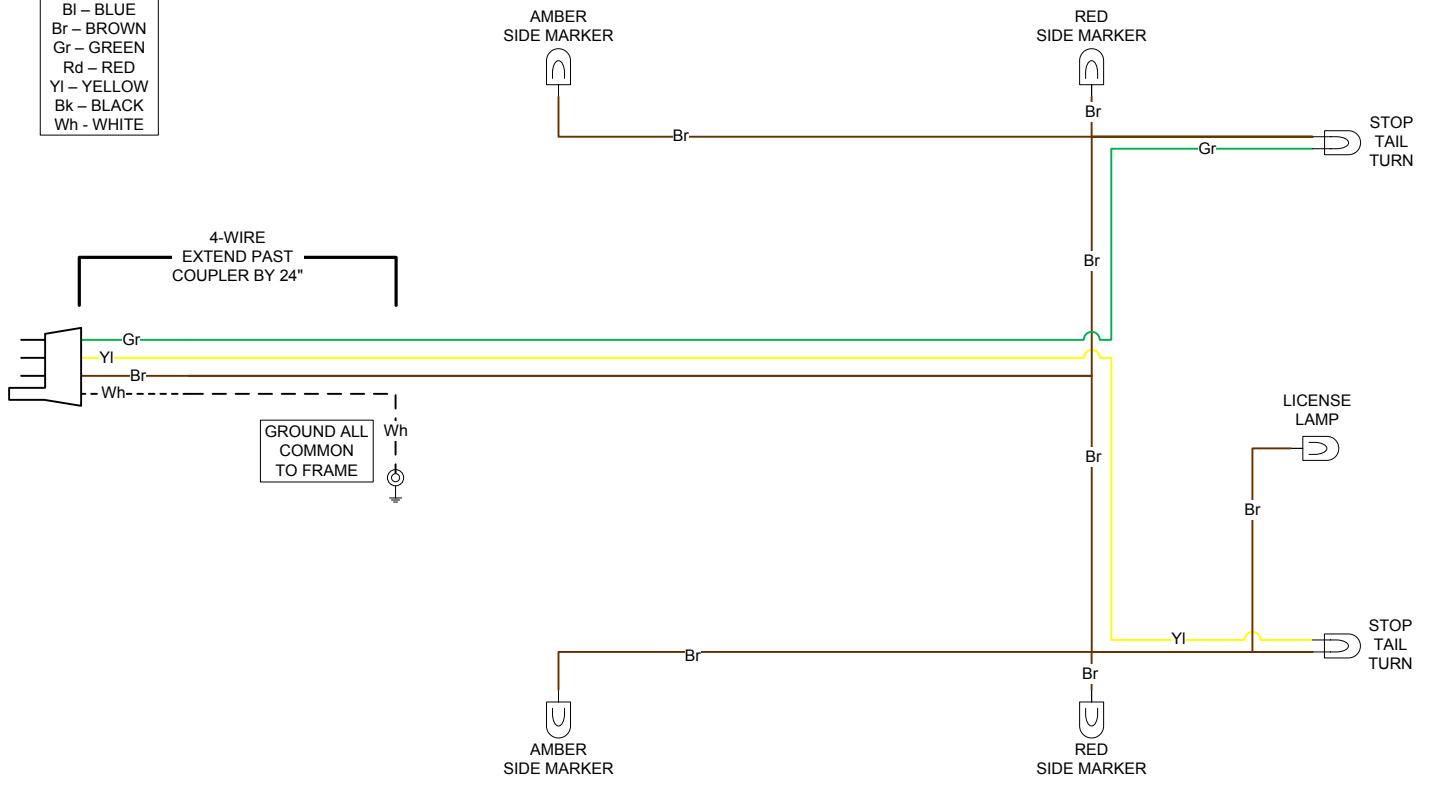
ITEM	PART NO.	DESCRIPTION	QTY
1	1052L917	Washer, Clutch Trap	1
2	1052W104	Engine Adjustment Plate	1
3	C61020	Double "B" Sheave, 11.35" Pitch	1
4	C61041	Spacer 1" ID x 0.625 w/ Keyway	1
5	Z41258	Double "B" x 74"	1
6	Z41501	SK Bushing, 1-3/8 Bore	1
7	Z41901	Clutch 1" BorexDbl"B" 3.6P	1
8	Z46531	Key 1/4 x 1/4 x 2	1
9	Z46541	Key 5/16 x 5/16 x 2	1
10	Z47146	GX390 13HP Engine	1
11	Z71220	Hex Bolt 5/16NC x 2	3
12	Z71377	Hex Bolt 3/8NF x 1-1/2	1
13	Z71660	Hex Bolt 5/8NC x 6	1
14	Z72231	Hex Lock Nut 3/8NC	8
15	Z73130	Flat Washer 3/8	8
16	Z73160	Flat Washer 5/8	1
17	Z73320	Lock Washer 5/16	3
18	Z74110	Set Screw 1/4NC	1
19	Z76232	Carriage Bolt 3/8NC x 1-1/4	4
20	Z76632	Plow Bolt 3/8NC x 2	4

BXT42 WIRING

KEY	
Bl	- BLUE
Br	- BROWN
Gr	- GREEN
Rd	- RED
Yl	- YELLOW
Bk	- BLACK
Wh	- WHITE

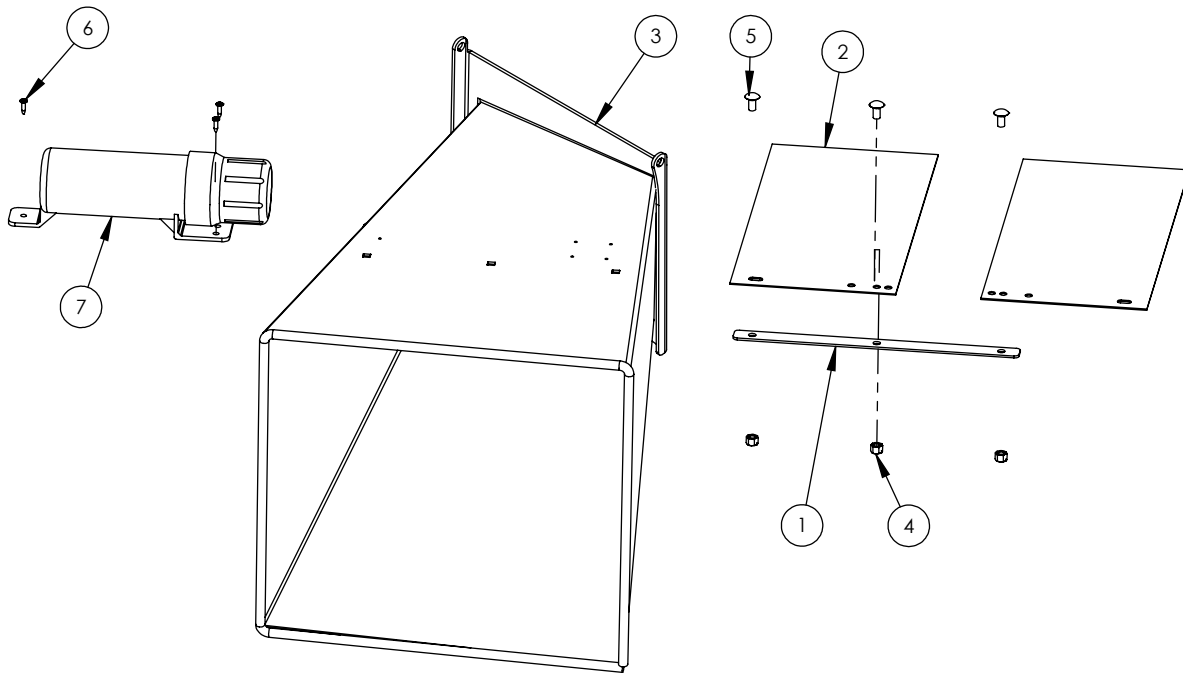
RIGHT SIDE

LEFT SIDE



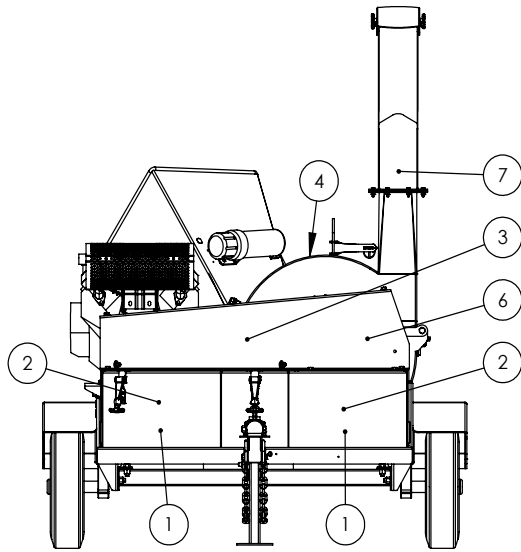
HOPPER PARTS BREAKDOWN

ITEM	PART NO.	DESCRIPTION	QTY
1	1011L151	Strap, Hopper Flap	1
2	1011S103	Flap, Hopper	2
3	1011W107	Weldment, Infeed Hopper	1
4	Z72231	Hex Lock Nut 3/8NC	3
5	Z76233	Carriage Bolt 3/8NC x 3/4	3
6	Z76712	Self-tapping Screw #10	3
7	Z96503	Manual Tube 3-1/2 Short	1

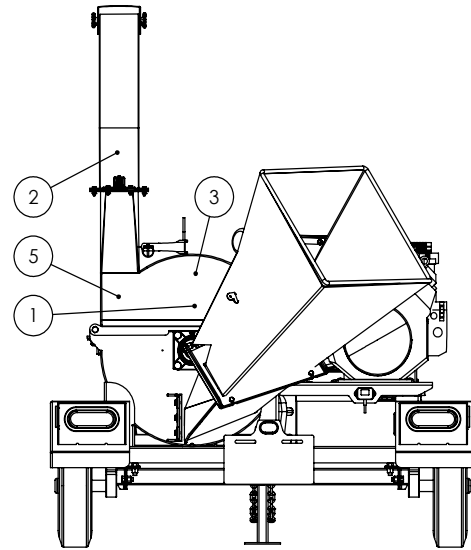


BXT4213 DECAL BREAKDOWN

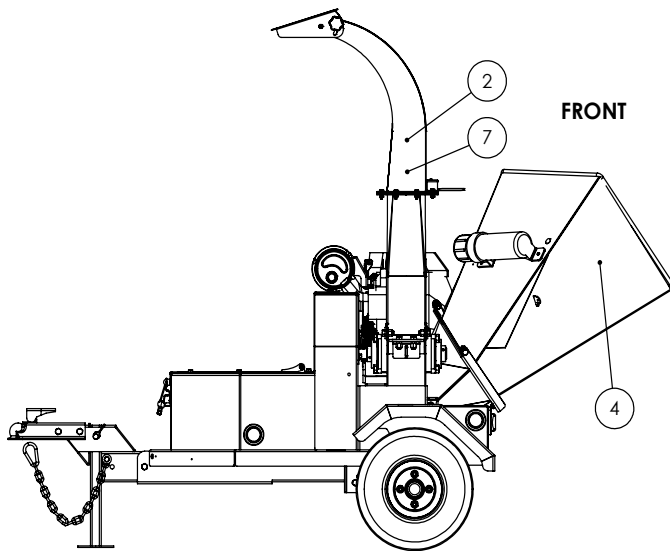
ITEM	PART NO.	DESCRIPTION	QTY
1	Z94056	WALLENSTEIN Decal	3
2	Z94019	1" Dia. Made In Canada	5
3	Z94108	BXT4213 Decal	2
4	Z94007	DANGER - Rotating Blades	4
5	Z94006	CAUTION - Read Manual	1
6	Z94012	WARNING - Rotating Part Hazard	1
7	Z94008	DANGER - Thrown Object Hazard	3
8	Z94013	DANGER - Missing Guard	1



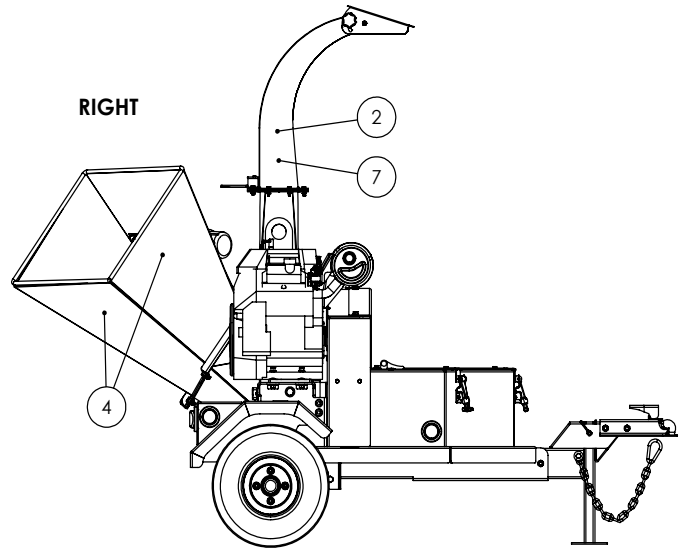
LEFT



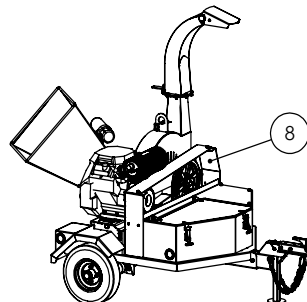
BACK



FRONT



RIGHT



Decals BXT4213

Z94006

Z94056



Z94108



Z94019



Z94007



Z94013



Z94012

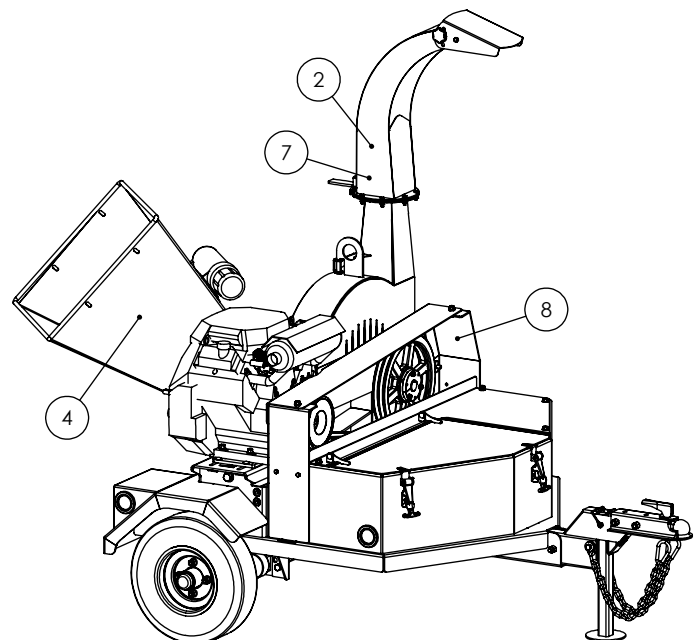
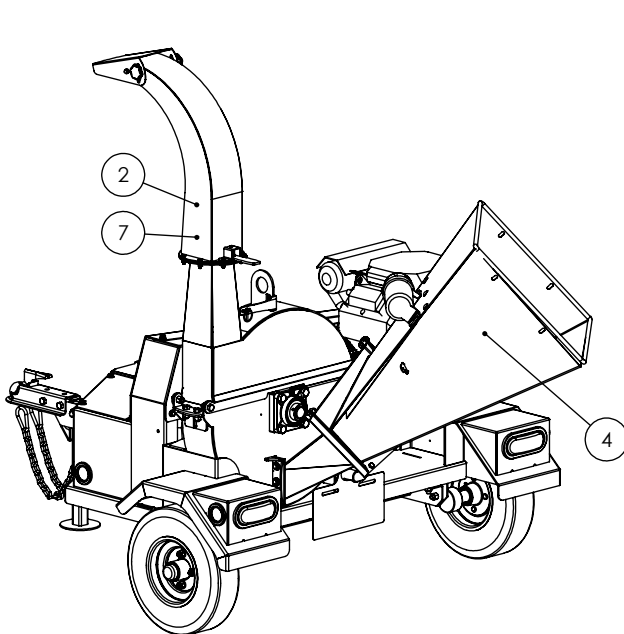
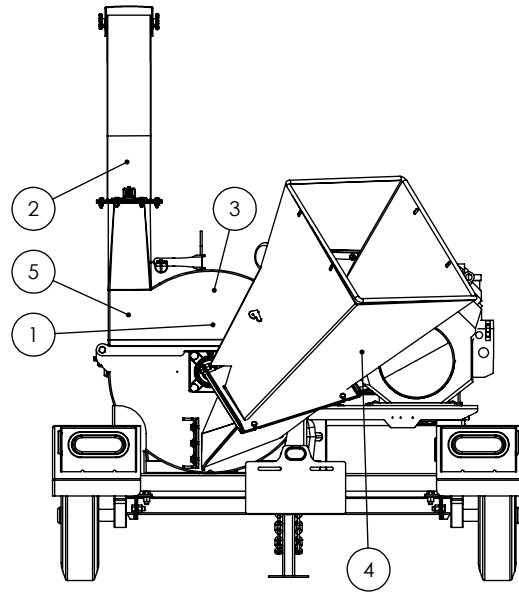
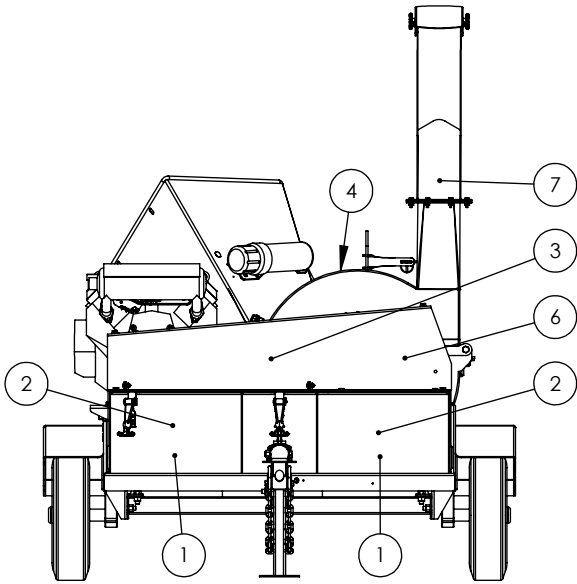


Z94008



TWO PANEL BXT4213 DECAL BREAKDOWN

ITEM	PART NO.	DESCRIPTION	QTY
1	Z94056	WALLENSTEIN Decal	3
2	Z94019	1" Dia. Made In Canada	5
3	Z94108	BXT4213 Decal	2
4	Z94120	DANGER - Rotating Blades	4
5	Z94119	CAUTION - Read Manual	1
6	Z94116	WARNING - Rotating Part Hazard	1
7	Z94117	DANGER - Thrown Object Hazard	3
8	Z94127	DANGER - Missing Guard	1
9	Z94143	121 dB Noise Level	1
10	Z94144	RH Rotation	1
11	Z94145	LH Rotation	1



Two Panel Decals BXT4213

Z94019



Z94119



Z94056



Z94108



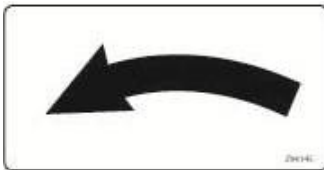
Z94143



Z94120



Z94145



Z94144



Z94127



Z94117



Z94116





WALLENSTEIN Products Manufactured by:

EMB MFG Inc.

4144 Boomer Line
St. Clements, Ontario
Canada N0B 2M0
Phone: 1-877-695-9283
Fax: 519-699-4146
www.embmfg.com