



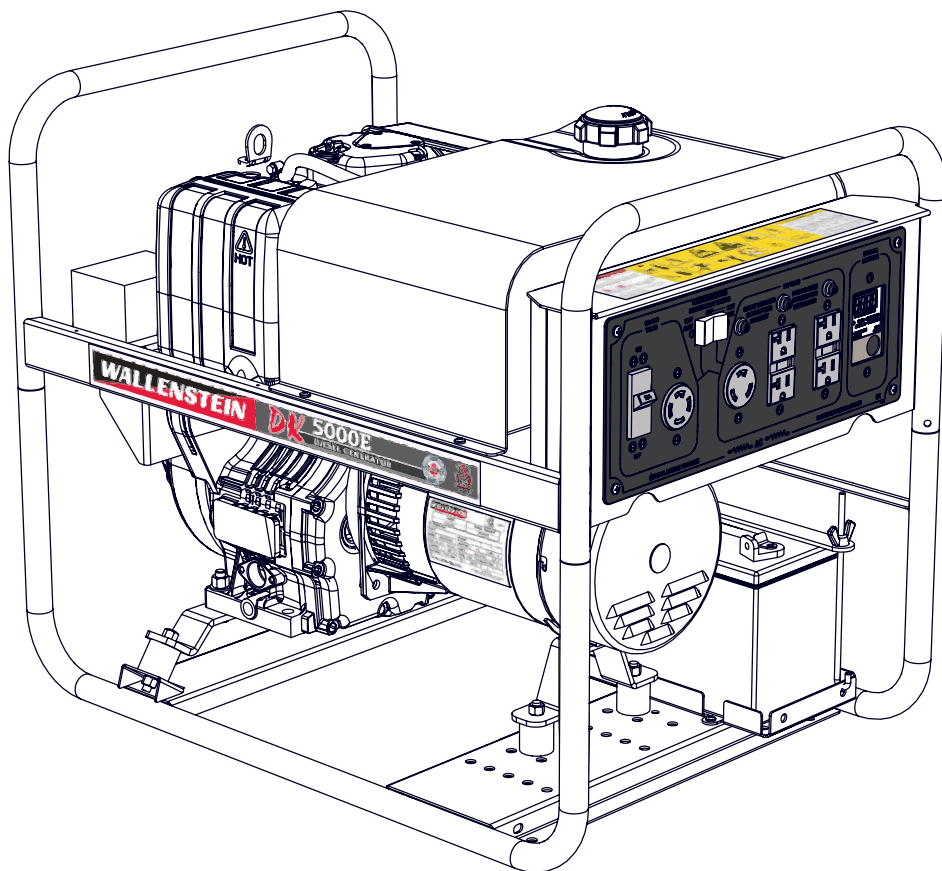
EMB Manufacturing Inc.
4144 Boomer Line · St. Clements, On · N0B 2M0 · Canada
Ph: (519) 699-9283 · Fax: (519) 699-4146
www.wallensteinequipment.com

DK5000E

Generator Parts Manual

Starting with S/N's

#DK50010



Refer to the operators
manual for safe
operation and
maintenance

Foreword

EMB Mfg. has prepared this parts manual to assist customers in ordering quality OEM replacement parts.

Proper and regular service and replacing old, worn or broken parts with the correct OEM parts are essential to prolonging the life of your EMB product. Please refer to this manual before ordering any replacement parts.

All information contained in this parts manual is based on the latest product specification available at the time of printing this manual. If your product differs from the specifications contained within this manual contact EMB Mfg. for information.

EMB reserves the right to alter specifications on their products at any time.

Reproduction of this parts manual of any kind is prohibited without prior written permission from EMB Mfg.

For parts and information please contact your dealer. If your dealer is no longer available please go to our website: <http://www.wallensteinequipment.com> and click on "FIND A DEALER NEAR YOU" for information on a local dealer.

Table of Contents

Bolt Torque..... 4
DK5000E Main Assembly..... 5
Frame & Engine / Generator Assembly 6
Electrical Panel Assembly 7
Wiring Diagram..... 8
Label Layout..... 9
Accessories..... 10

Alternator: Mecc Alte Inc. S16W-###/# Below are alternator parts available from Wallenstein. For other parts and maintenance or repair information please refer to the Mecc Alte alternator manual that shipped with the generator.			
1	Non Drive End Bracket	390302209	
2	Fan	392000015	
3	Rear Bearing 6203-2ZC3	390302521	
4	Diode	9910356050	
5	Varistor	9910384005	
6	Capacitor # :see chart below		
Find the value of the capacitor in your alternator, and match it to the list shown here for the correct order part number.		GECAP14MF	14 MF CAPACITOR
		GECAP16MF	16 MF Capacitor
		GECAP18MF	Capacitor, 18 MFZ
		GECAP20MF	Capacitor 20MFZ
		GECAP25MF	Capacitor 25MFZ
		GECAP31MF	Capacitor, 31.5 MFZ
		GECAP35MF	35 MF CAPACITOR
		GECAP40MF	40 MF CAPACITOR

Alternator maintenance should be performed by trained personnel only.



Exercise extreme caution when working with exposed wiring of the alternator, be aware that high voltage discharge of the capacitor is a danger.

Bolt Torque

CHECKING BOLT TORQUE

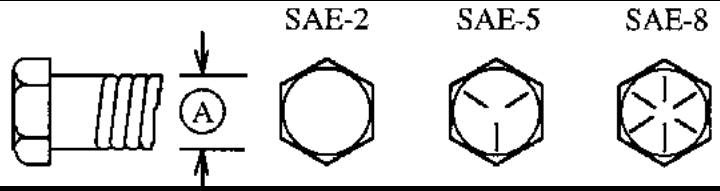
The tables shown below give correct torque values for various bolts and capscrews. Tighten all bolts to the torques specified in chart unless otherwise noted. Check tightness of bolts periodically, using bolt torque chart as a guide. Replace hardware with the same strength bolt.

Torque figures indicated above are valid for non-greased or non-oiled threads and heads unless otherwise specified. Therefore, do not grease or oil bolts or capscrews unless otherwise specified in this manual. When using locking elements, increase torque values by 5%.

* Torque value for bolts and capscrews are identified by their head markings.

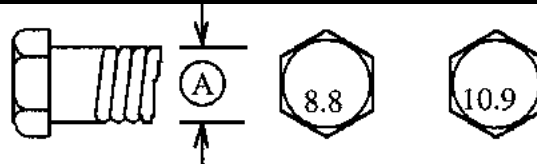
ENGLISH TORQUE SPECIFICATIONS

Bolt Diameter "A"	Bolt Torque*					
	SAE 2 (N.m) (lb-ft)		SAE 5 (N.m) (lb-ft)		SAE 8 (N.m) (lb-ft)	
1/4"	8	6	12	9	17	12
5/16"	13	10	25	19	36	27
3/8"	27	20	45	33	63	45
7/16"	41	30	72	53	100	75
1/2"	61	45	110	80	155	115
9/16"	95	60	155	115	220	165
5/8"	128	95	215	160	305	220
3/4"	225	165	390	290	540	400
7/8"	230	170	570	420	880	650
1"	345	225	850	630	1320	970



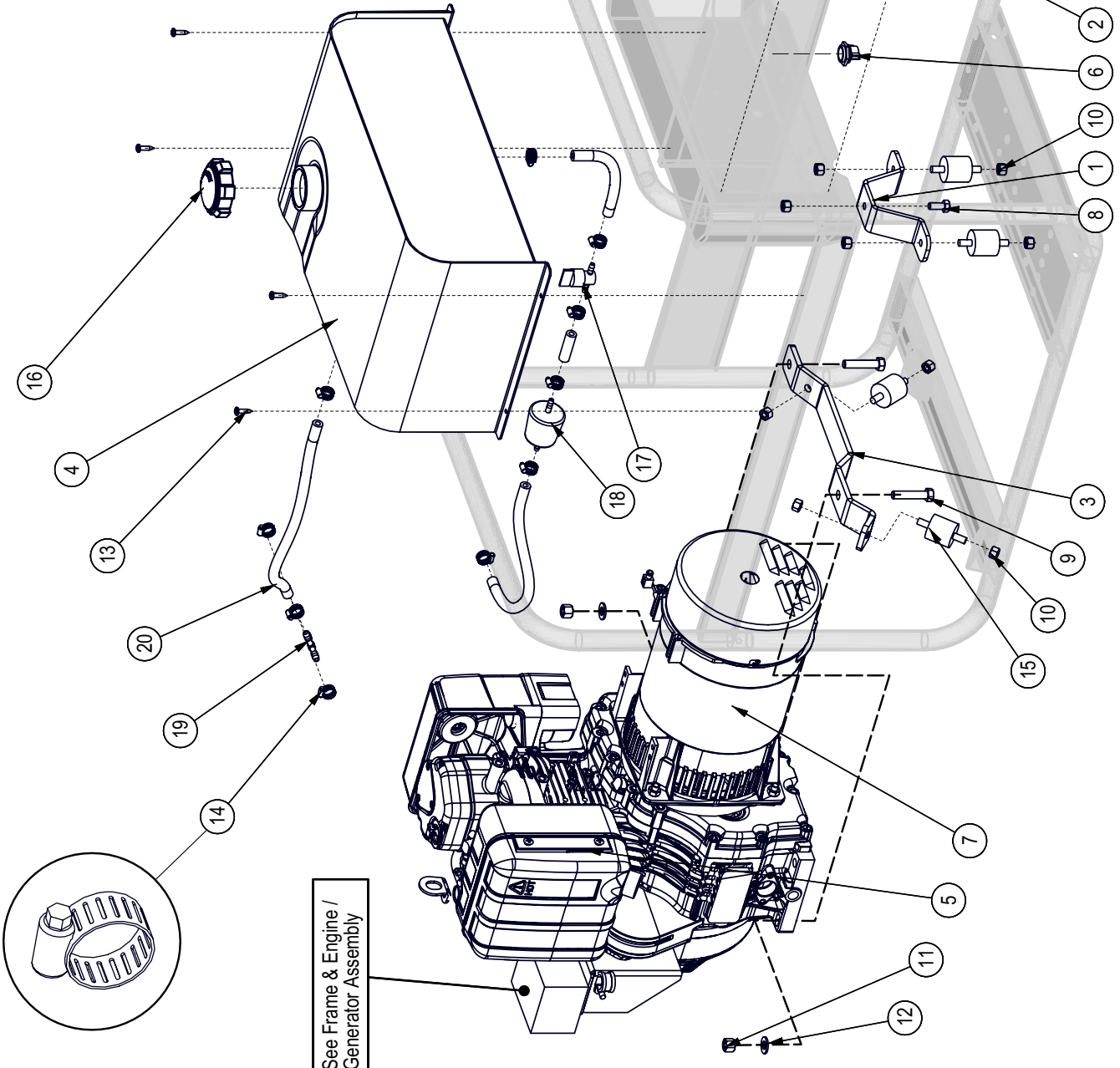
METRIC TORQUE SPECIFICATIONS

Bolt Diameter "A"	Bolt Torque*			
	8.8 (N.m) (lb-ft)		10.9 (N.m) (lb-ft)	
M3	0.5	0.4	1.8	1.3
M4	3	2.2	4.5	3.3
M5	6	4	9	7
M6	10	7	15	11
M8	25	18	35	26
M10	50	37	70	52
M12	90	66	125	92
M14	140	103	200	148
M16	225	166	310	229
M20	435	321	610	450
M24	750	553	1050	774
M30	1495	1103	2100	1550
M36	2600	1917	3675	2710



BOM ID	Part No.	Description	Qty
1	4041L101	Offset Plate, Hatz Diesel	1
2	4042A001	Assembly, DK5000E Panel	1
3	4042L102	Kohler Diesel Mounting Bracket	1
4	4042W001	Fuel Tank, HD Style	1
5	Z47507	Kohler KD350, Taper x Electric	1
6	Z62261	Box Connector, 3/8"	1
7	Z65404	Alternator, 4.9KVA	1
8	Z71207	Hex Bolt, 5/16NC x 3/4"	1
9	Z71317	Hex Bolt, 3/8NC x 1-3/4"	2
10	Z72221	Hex Lock Nut, 5/16NC	9
11	Z72231	Hex Lock Nut, 3/8NC	2
12	Z73131	SAE Washer, 3/8"	2
13	Z76712	Self-tapping Screw, #10 x 3/4"	8
14	Z79405	Hose Clamp, SAE #4 (5/8")	10
15	Z79931	Isolator, 1-1/4" Dia x 1-1/4" x 5/16NC	4
16	Z93106	Fuel Cap, Diesel	1
17	Z93301	Fuel Shut-Off Valve, 1/4"	1
18	Z93302	Fuel Filter, In-Line x 1/4" Large	1
19	Z93327	Plastic Tee, HB x HB x HB 040404	1
20	Z93315	Fuel Line, 1/4" ID x	4

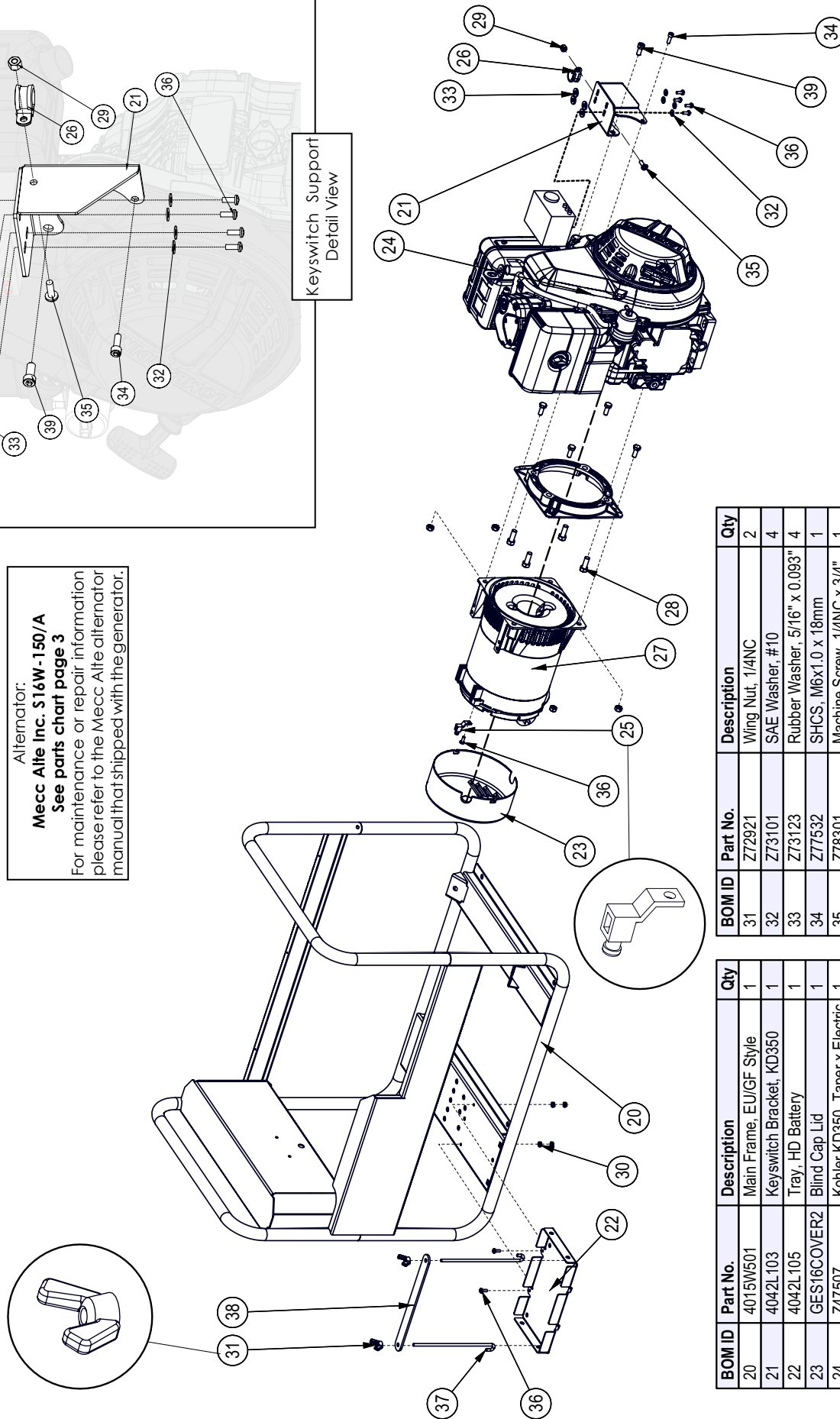
DK5000E Main Assembly



Frame & Engine / Generator Assembly

Engine:
349 cc Kohler KD350
 For maintenance or repair information please refer to the Kohler Engine manual that shipped with the generator.

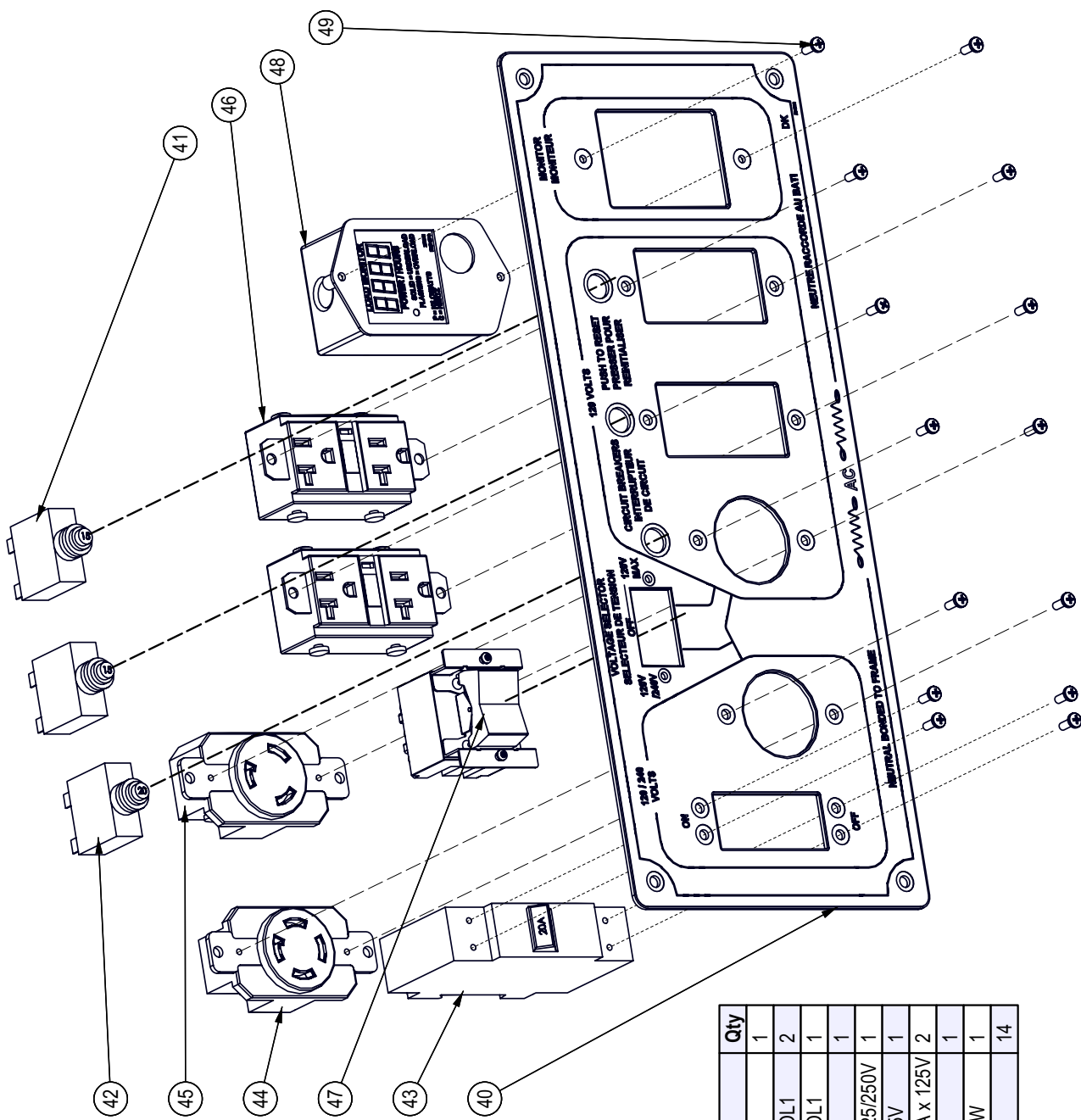
Alternator:
Mecc Alte Inc. S16W-150/A
 See parts chart page 3
 For maintenance or repair information please refer to the Mecc Alte alternator manual that shipped with the generator.



BOM ID	Part No.	Description	Qty
20	4015W501	Main Frame, EU/GF Style	1
21	4042L103	Keyswitch Bracket, KD350	1
22	4042L105	Tray, HD Battery	1
23	GES16COVER2	Blind Cap Lid	1
24	Z47507	Kohler KD350, Taper x Electric	1
25	Z62711	Grounding Terminal, 6-14	1
26	Z62821	Rubberized Wire Clamp, 5/8"	1
27	Z65404	Alternator, 4.9kVA	1
28	Z71374	Hex Bolt, 3/8NF x 1"	4
29	Z72211	Hex Lock Nut, 1/4NC	1
30	Z72752	Machine Nut, #10NF	4

BOM ID	Part No.	Description	Qty
31	Z72921	Wing Nut, 1/4NC	2
32	Z73101	SAE Washer, #10	4
33	Z73123	Rubber Washer, 5/16" x 0.093"	4
34	Z77532	SHCS, M6x1.0 x 18mm	1
35	Z78301	Machine Screw, 1/4NC x 3/4"	1
36	Z78303	Machine Screw, #10NF x 1/2"	7
37	Z93202	J-Hook, 1/4" x 7"	2
38	Z93207	Hold-Down Strap, 1" x 8-1/2"	1
39	Z77551	SHCS, M8x1.25 x 18mm	1

Electrical Panel Assembly



BOM ID	Part No.	Description	Qty
40	4042L107	Panel, DK Style	1
41	Z62616	Thermal Breaker, 15A x TC1 OL1	2
42	Z62617	Thermal Breaker, 20A x TC1 OL1	1
43	Z62621	Main Switch Breaker, 20A	1
44	Z63403	Receptacle, L14-30 x 30A x 125/250V	1
45	Z63404	Receptacle, L5-30 x 30A x 125V	1
46	Z63408	GFCI Receptacle, 5-20R x 20A x 125V	2
47	Z66113	Rocker Switch, 3PDT	1
48	Z66211	Generator Load Monitor, 2750W	1
49	Z78304	Machine Screw, #6NC x 3/8"	14

Label Layout

⚠ DANGER! **ATTENTION!**

NEVER use any tools or equipment that is not specifically designed for this application. This is a safety issue. Always use proper safety procedures when working on this generator. Failure to follow these instructions can result in injury or death.

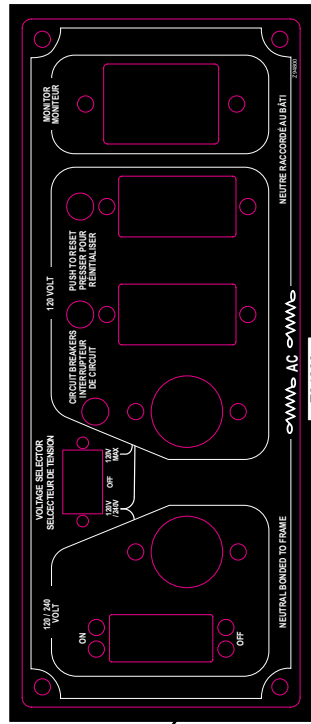
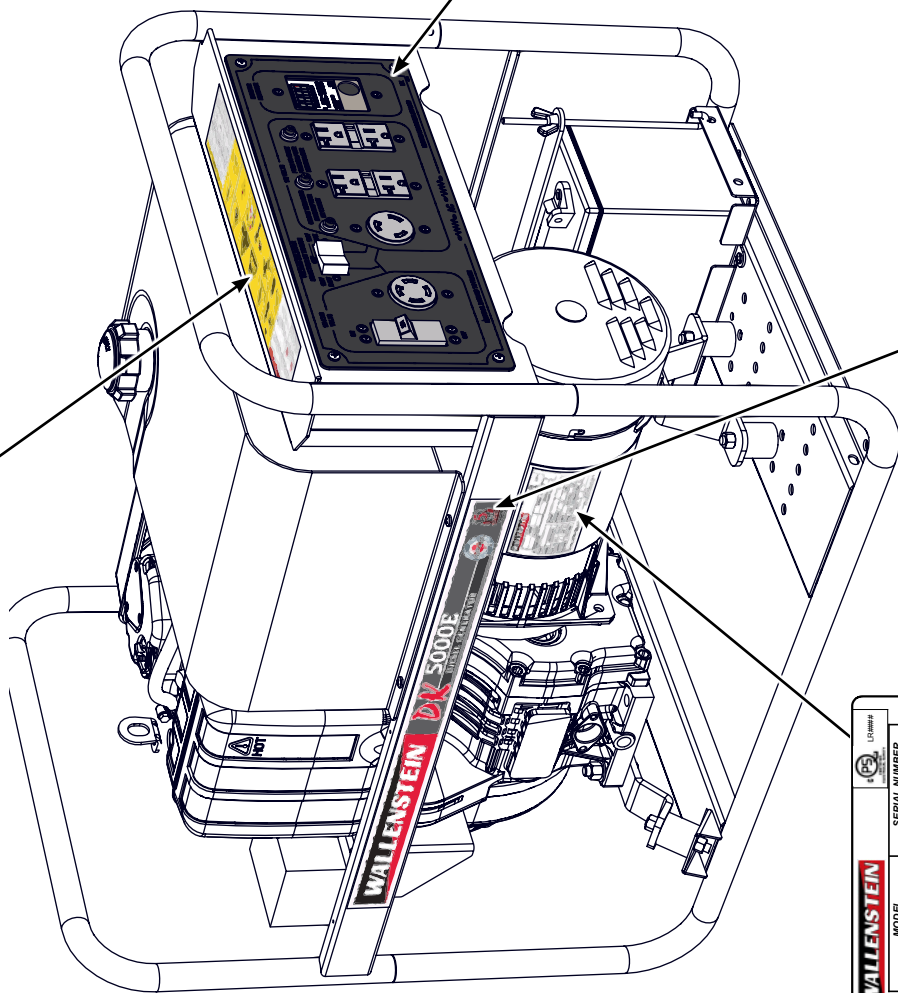
NEVER use any tools or equipment that is not specifically designed for this application. This is a safety issue. Always use proper safety procedures when working on this generator. Failure to follow these instructions can result in injury or death.

⚠ Attention!

NEVER use any tools or equipment that is not specifically designed for this application. This is a safety issue. Always use proper safety procedures when working on this generator. Failure to follow these instructions can result in injury or death.

Cette opération au diesel a été conçue pour fonctionner à pleine charge. Toute charge excessive entraînera à terme la combustion et la déformation du cylindre. Le moteur ne doit pas être utilisé sans charge. Le moteur ne doit pas être utilisé sans charge. Le moteur ne doit pas être utilisé sans charge. Le moteur ne doit pas être utilisé sans charge.

Z94227



WALLENSTEIN		SERIAL NUMBER	
MODEL	#####	ALTERNATOR	#####
TYPE	PHASE	SERVICE	INS. H
CODE	#####	S1	#####
KVA # # #	V	120/240	AMPS
COSPHI	1	HZ	60
BEARING	#####	KG	#####
www.embmfg.com		Serial Label	

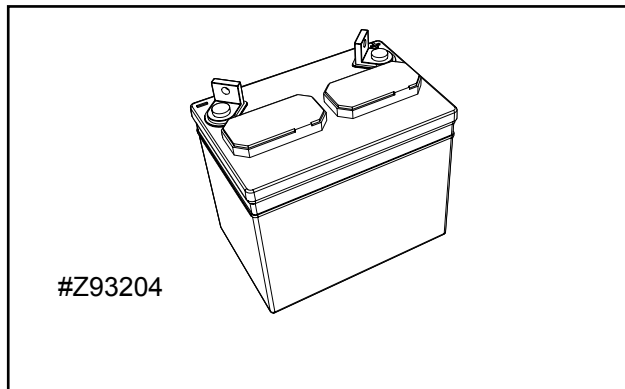
DK 5000E

DIESEL GENERATOR

Z94855
Two Sides

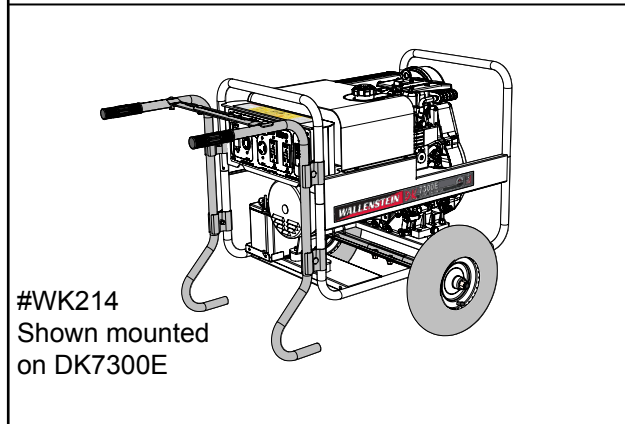
Accessories

Call your dealer for pricing and availability



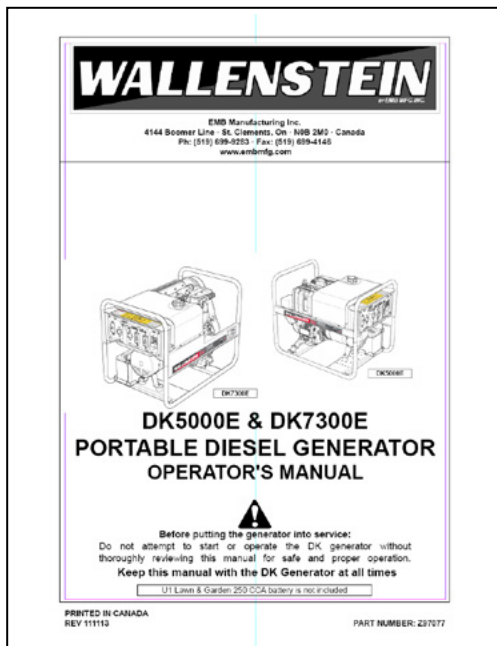
#Z93204 U1 250CCA Lawn & Garden Battery

The perfect battery to reliably get your generator started.



#WK210 TWO WHEEL KIT WITH 10" TIRES
#WK214 TWO WHEEL KIT WITH 14" TIRES

A must have add on kit for true portability!
Kit consist of handles and axle with tires The kit is easy to install and simply clamps on to the existing frame.



**#Z97077 DK5000E & DK7300E
PORTABLE DIESEL GENERATOR
OPERATOR'S MANUAL**

Available as a download at
www.wallensteinequipment.com