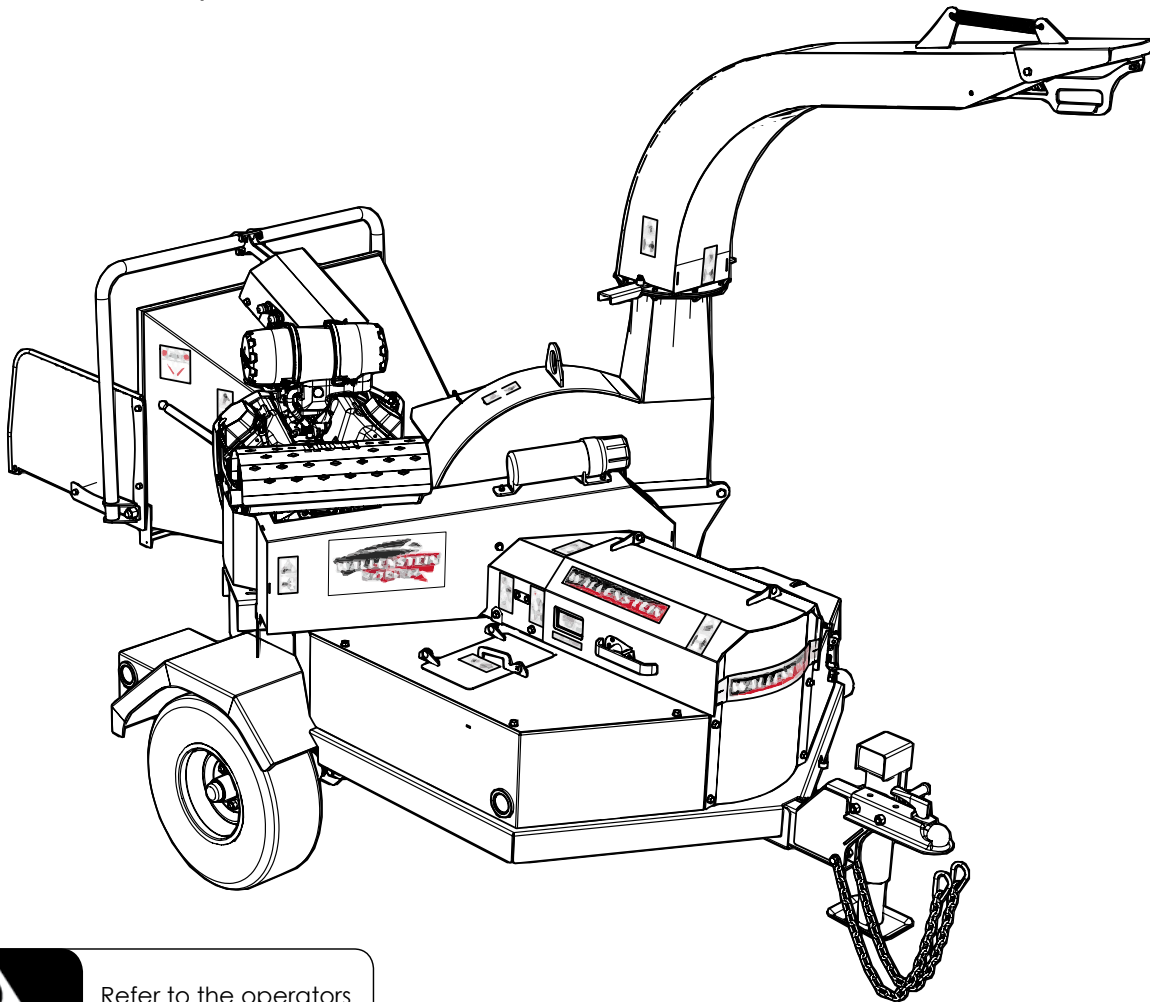


WALLENSTEIN

EMB Manufacturing Inc.
4144 Boomer Line · St. Clements, On · N0B 2M0 · Canada
Ph: (519) 699-9283 · Fax: (519) 699-4146
www.embmfg.com

BXTR6438 Chipper Parts Manual

S/N 2E9US1115DS091120 to 2E9US110ES091169



Refer to the operators
manual for safe
operation and
maintenance

Foreword

EMB Mfg. has prepared this parts manual to assist customers in ordering quality OEM replacement parts.

Proper and regular service and replacing old, worn or broken parts with the correct Wallenstein parts are essential to prolonging the life of your Wallenstein product. Please refer to this manual before ordering any replacement parts.

All information contained in this parts manual is based on the latest product specification available at the time of printing this manual. If your product differs from the specifications contained within this manual contact EMB Mfg. for information.

EMB reserves the right to alter specifications on their products at any time.

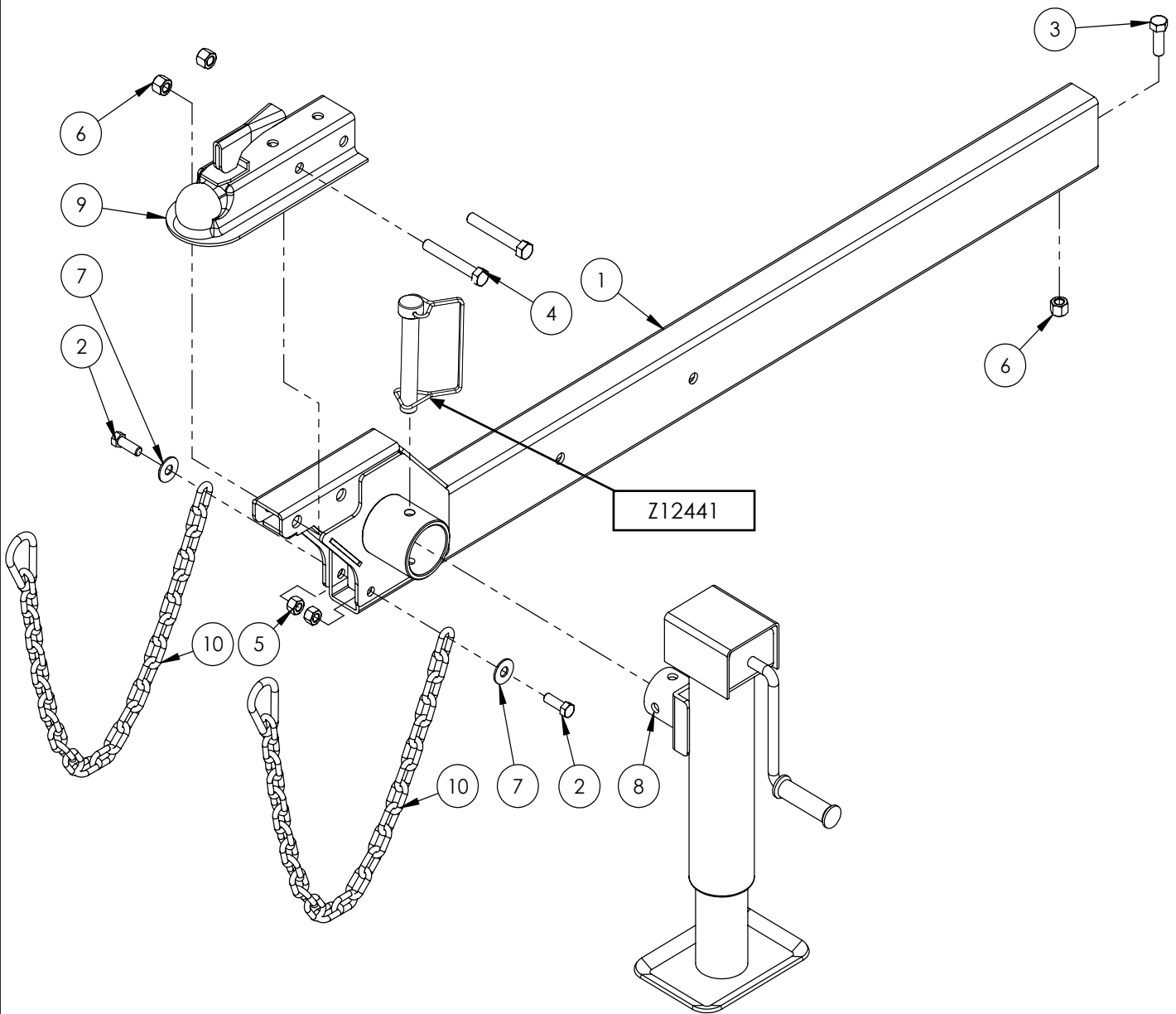
Reproduction of this parts manual of any kind is prohibited without prior written permission from EMB Mfg.

For parts and information please contact your dealer. If your dealer is no longer available please go to our website: <http://www.embmfg.com> and click on "FIND A DEALER NEAR YOU" for information on a local dealer.

Table of Contents

| | |
|--|-----------|
| Tongue..... | 4 |
| Compartment Cowl & Lid | 5 |
| Tool Compartment Lid..... | 5 |
| Wheel Hub..... | 6 |
| Chute | 7 |
| Rotor & Housing | 8 |
| Drive Train..... | 9 |
| Main Frame & Cowling..... | 10 |
| Running Gear & Lighting | 11 |
| Feed Table & Chute..... | 12 |
| Feed Handle Detail..... | 12 |
| Roller Hood..... | 13 |
| Upper Roller - Left View..... | 14 |
| Upper Roller - Right View | 15 |
| Lower Roller..... | 16 |
| Hydraulic - Electrical..... | 17 |
| Hydraulic Pump | 18 |
| Hydraulic Tank..... | 19 |
| Intellifeed Logic Harness #Z62111 | 20 |
| Trailer Electrical..... | 21 |
| Hydraulic Schematic..... | 22 |
| Label Layout..... | 23 |
| Label Layout..... | 24 |
| Accessories..... | 25 |

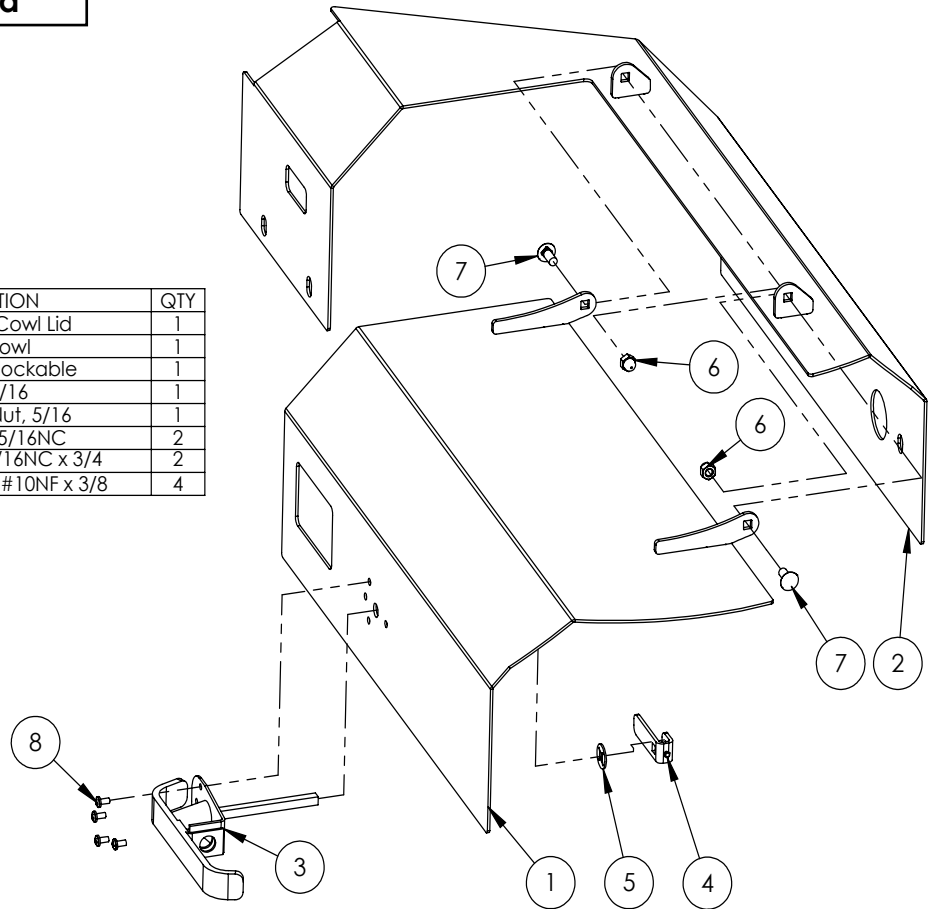
Tongue



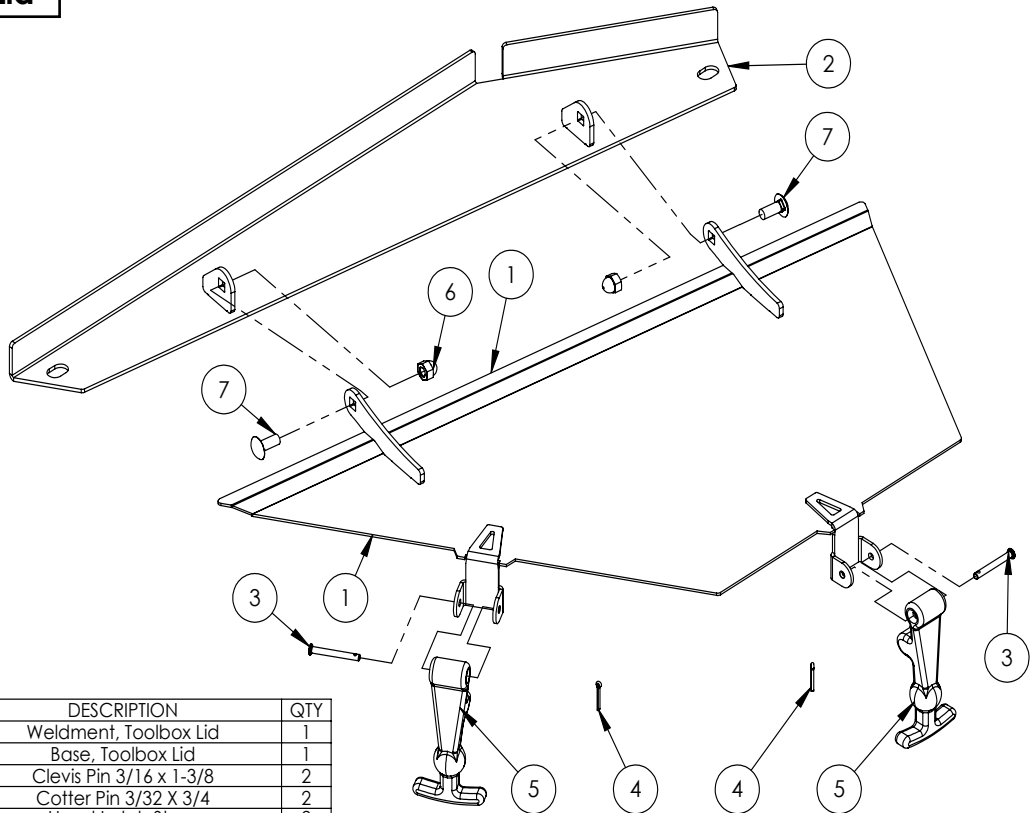
| ITEM | PART NO. | DESCRIPTION | QTY |
|------|----------|---------------------------|-----|
| 1 | 1054W401 | Tongue Weldment | 1 |
| 2 | Z71412 | Hex Bolt 7/16NC x 1-1/4 | 2 |
| 3 | Z71515 | Hex Bolt 1/2NC x 1-1/2 | 1 |
| 4 | Z71535 | Hex Bolt 1/2NC x 3-1/2 | 2 |
| 5 | Z72240 | Hex Lock Nut, 7/16NC | 2 |
| 6 | Z72251 | Hex Lock Nut 1/2NC | 3 |
| 7 | Z73240 | Wide Flat Washer 7/16 | 2 |
| 8 | Z91512 | Side-Wind 10" Swivel Jack | 1 |
| 9 | Z91614 | 2" Hitch Coupler | 1 |
| 10 | Z92307 | Safety Chain 1/4 x 3' | 2 |

Compartment Cowl & Lid

| ITEM | PART NO. | DESCRIPTION | QTY |
|------|----------|----------------------------|-----|
| 1 | 1054W472 | Weldment, Cowl Lid | 1 |
| 2 | 1054W473 | Base, Cowl | 1 |
| 3 | Z18203 | Handle, Padlockable | 1 |
| 4 | Z18204 | Cam, 5/16 | 1 |
| 5 | Z18205 | Tinnerman Nut, 5/16 | 1 |
| 6 | Z72914 | Acorn Nut, 5/16NC | 2 |
| 7 | Z76221 | Carriage Bolt 5/16NC x 3/4 | 2 |
| 8 | Z78302 | Machine Screw #10NF x 3/8 | 4 |

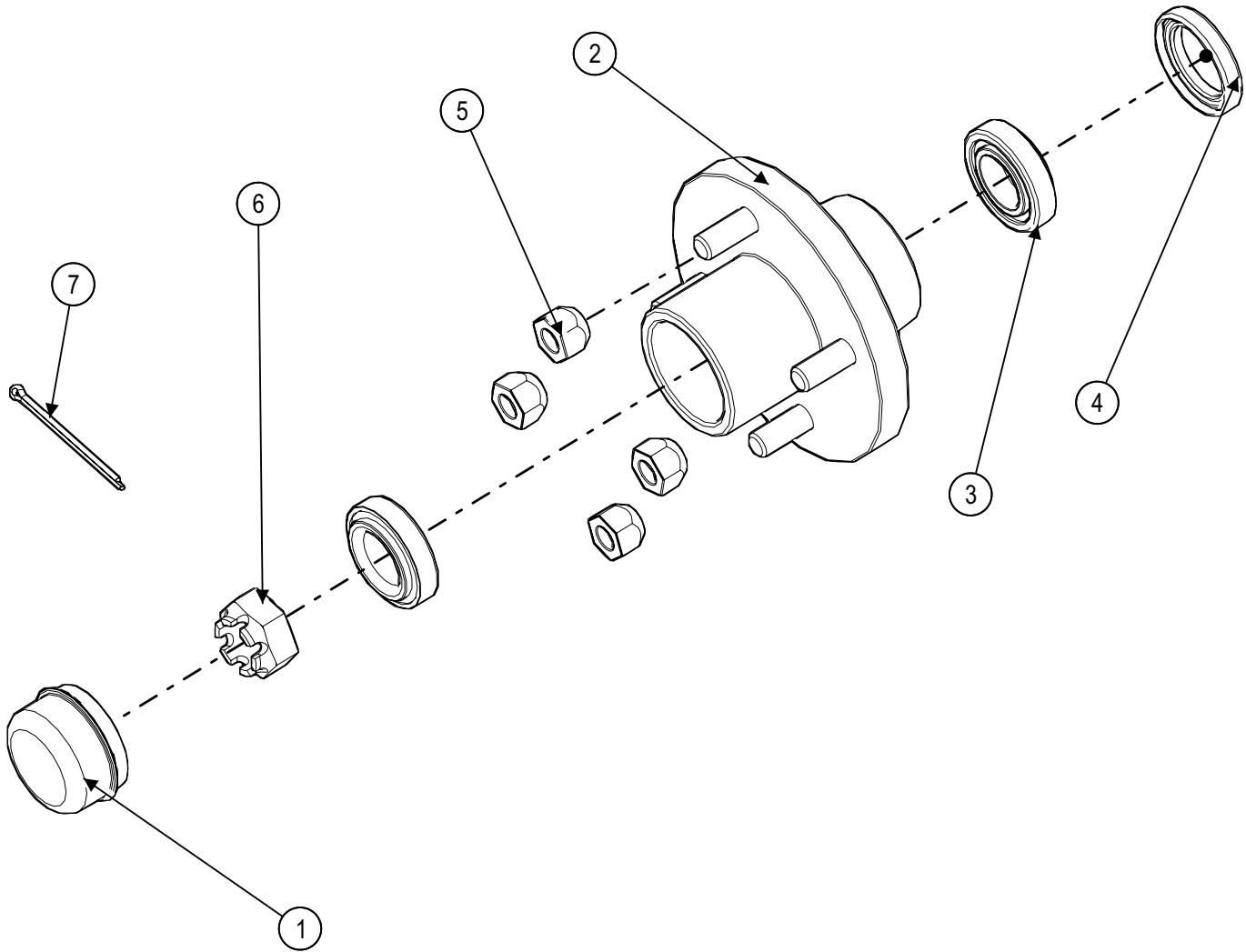


Tool Compartment Lid



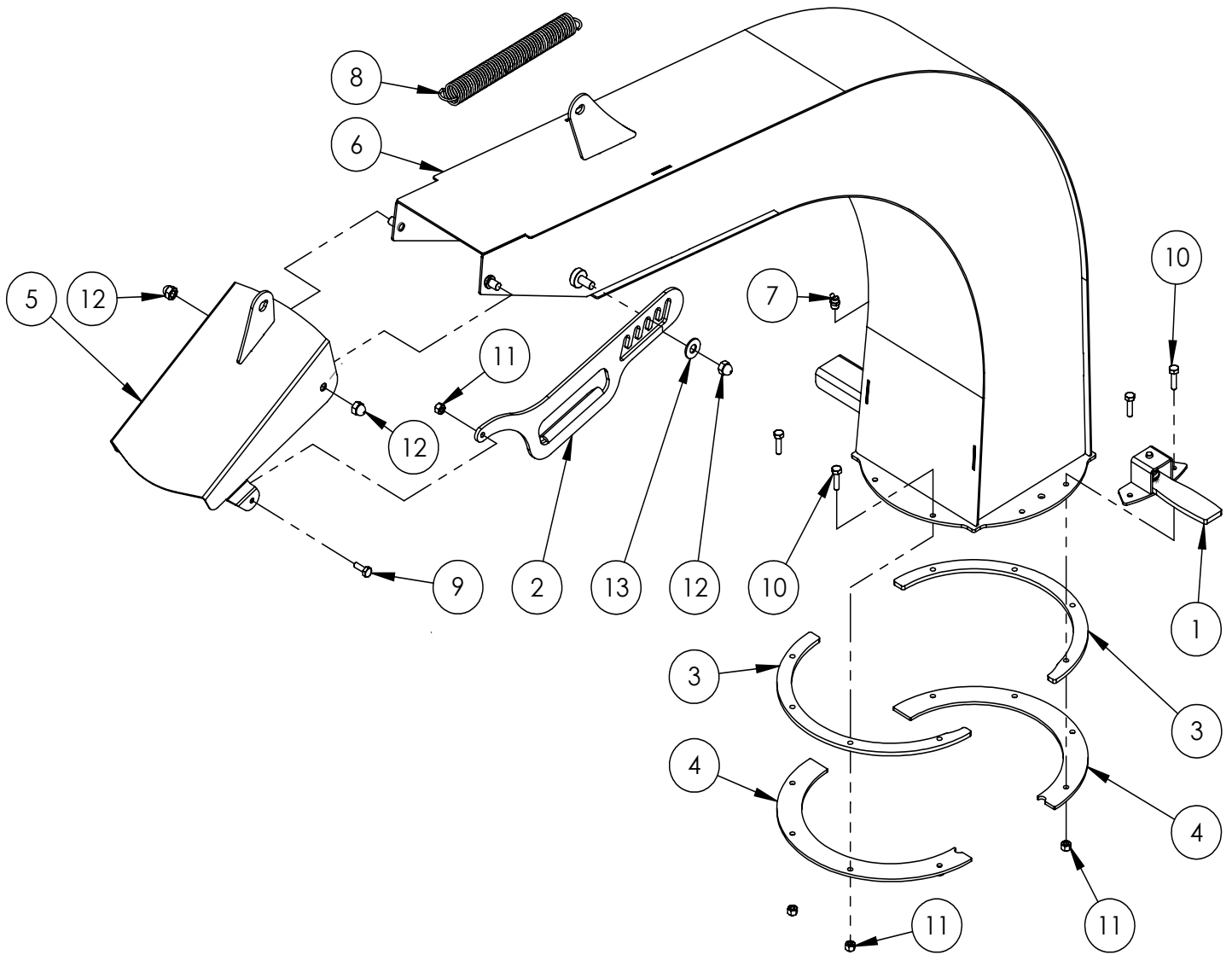
| ITEM | PART NO. | DESCRIPTION | QTY |
|------|----------|----------------------------|-----|
| 1 | 1054W474 | Weldment, Toolbox Lid | 1 |
| 2 | 1054W475 | Base, Toolbox Lid | 1 |
| 3 | Z11301 | Clevis Pin 3/16 x 1-3/8 | 2 |
| 4 | Z12301 | Cotter Pin 3/32 X 3/4 | 2 |
| 5 | Z18201-3 | Hood Latch Strap | 2 |
| 6 | Z72914 | Acorn Nut, 5/16NC | 2 |
| 7 | Z76221 | Carriage Bolt 5/16NC x 3/4 | 2 |

Wheel Hub



| ITEM | PART NO. | DESCRIPTION | QTY |
|------|----------|---------------------------------|-----|
| 1 | Z91801 | Dust Cap 1.98 Bore | 1 |
| 2 | Z91201 | 1000 # 4-Bolt Hub | 1 |
| 3 | Z28302 | L44649 Cone, L44610 Cup | 2 |
| 4 | Z28302 | Double Lip Seal 1 -1/16 Spindle | 1 |
| 5 | Z72931 | Lug Nut 1/2 NF | 4 |
| 6 | Z92694 | 1" Castle Nut | 1 |
| 7 | Z12322 | 2" x 3/16" Split Pin | 1 |

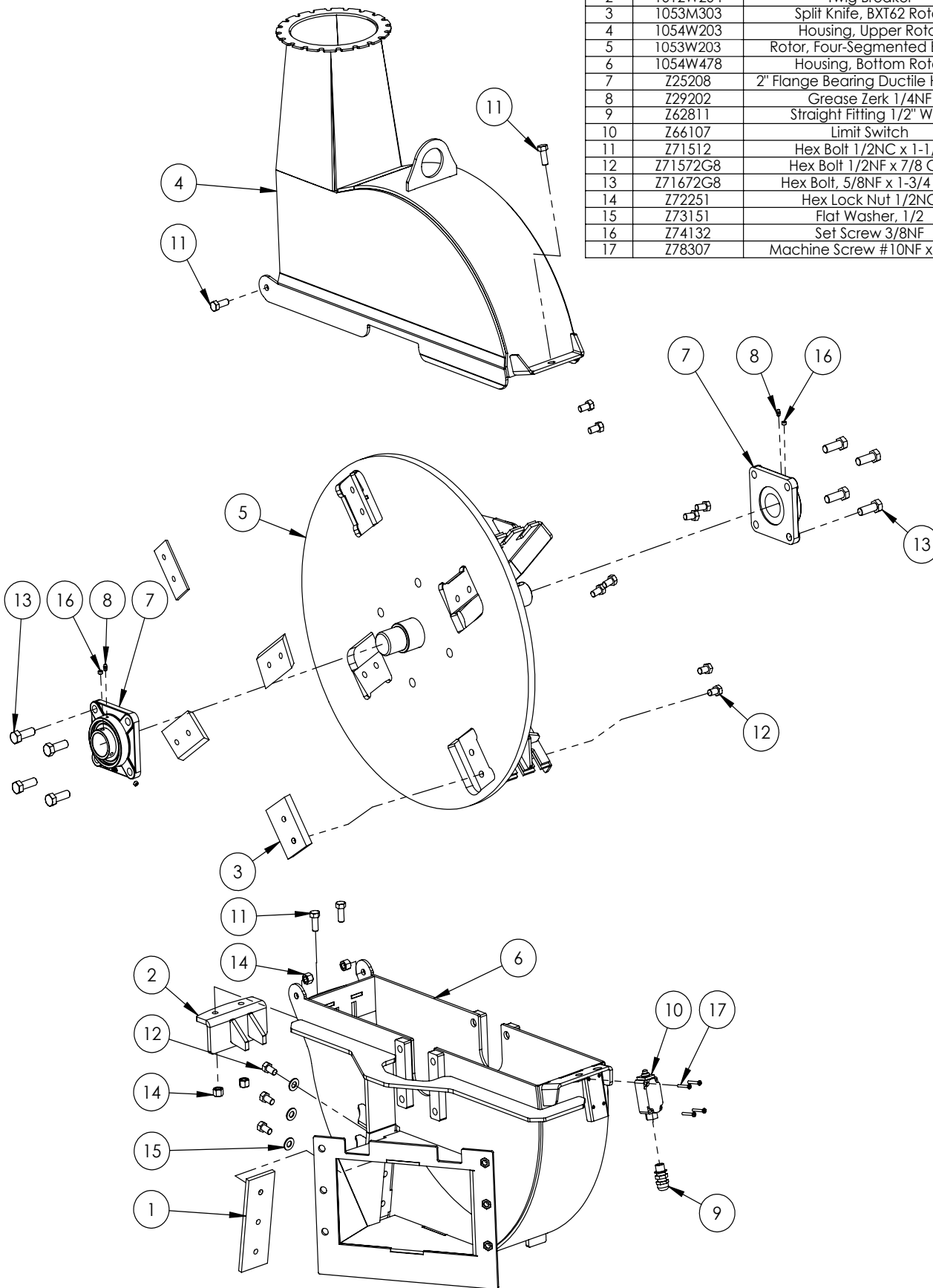
Chute



| ITEM | PART NO. | DESCRIPTION | QTY |
|------|----------|-----------------------------|-----|
| 1 | 1012W208 | Assembly, Hood Latch | 1 |
| 2 | 1054L477 | Adjuster, Chip Deflector | 1 |
| 3 | 1054L535 | Spacer Ring | 2 |
| 4 | 1054L536 | Hood Capture Ring | 2 |
| 5 | 1054W205 | Discharge Deflector | 1 |
| 6 | 1054W470 | Discharge Chute | 1 |
| 7 | Z29204 | Grease Fitting, 1/8NPT x 45 | 1 |
| 8 | Z31403 | Spring 25mm x 178mm Heavy | 1 |
| 9 | Z71107 | Hex Bolt 1/4NC x 3/4 | 1 |
| 10 | Z71110 | Hex Bolt 1/4NC x 1 | 8 |
| 11 | Z72111 | Hex Lock Nut 1/4NC | 9 |
| 12 | Z72911 | Acorn Nut, 3/8NC | 3 |
| 13 | Z73230 | Wide Flat Washer 3/8 | 1 |

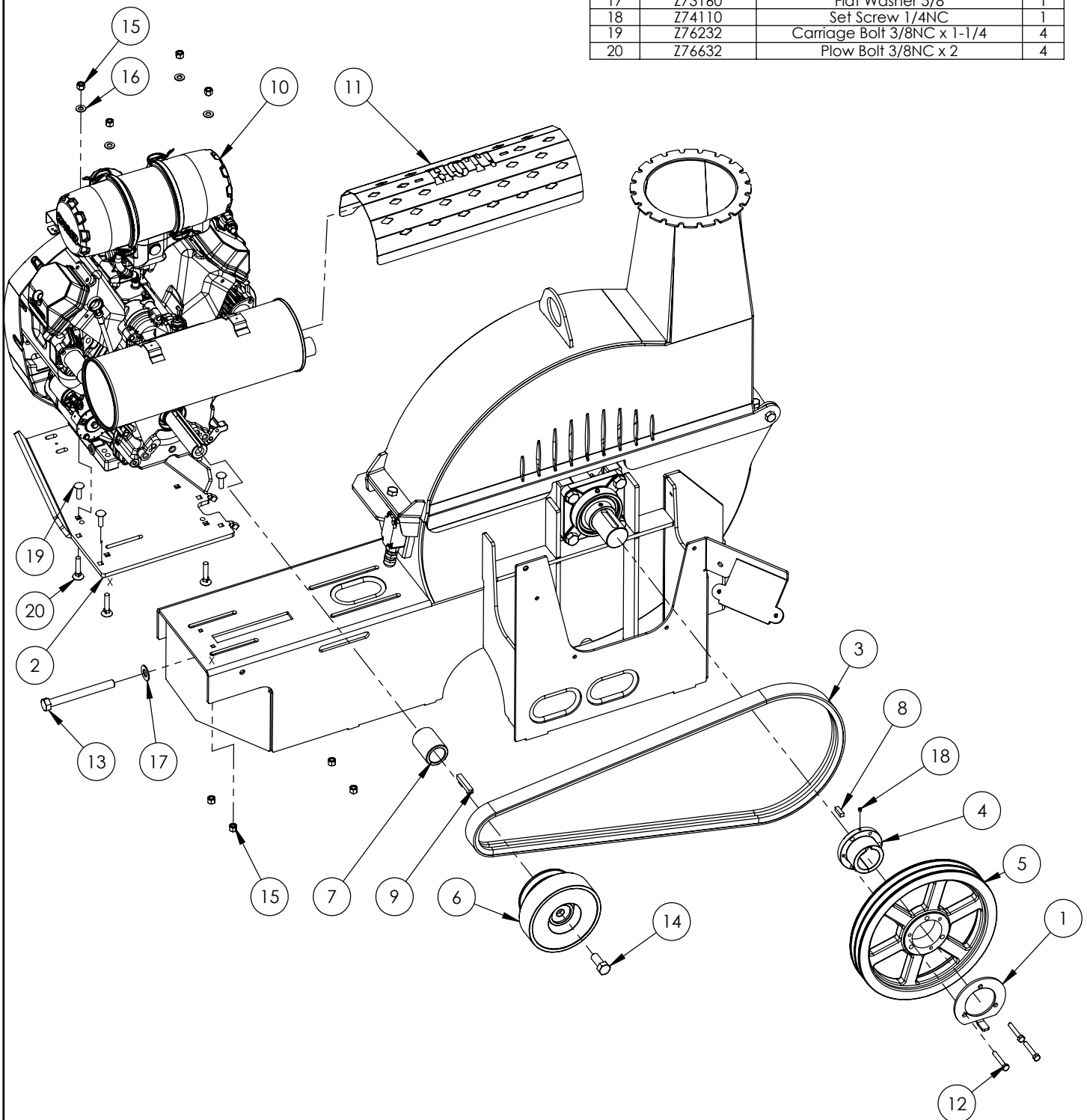
Rotor & Housing

| ITEM | PART NO. | DESCRIPTION | QTY |
|------|----------|-----------------------------------|-----|
| 1 | 1012M204 | Knife, BX62 Ledger | 1 |
| 2 | 1012W204 | Twig Breaker | 1 |
| 3 | 1053M303 | Split Knife, BXT62 Rotor | 4 |
| 4 | 1054W203 | Housing, Upper Rotor | 1 |
| 5 | 1053W203 | Rotor, Four-Segmented Blade | 1 |
| 6 | 1054W478 | Housing, Bottom Rotor | 1 |
| 7 | Z25208 | 2" Flange Bearing Ductile Housing | 2 |
| 8 | Z29202 | Grease Zerk 1/4NF | 2 |
| 9 | Z62811 | Straight Fitting 1/2" Wire | 1 |
| 10 | Z66107 | Limit Switch | 1 |
| 11 | Z71512 | Hex Bolt 1/2NC x 1-1/4 | 5 |
| 12 | Z71572G8 | Hex Bolt 1/2NF x 7/8 Gr8 | 11 |
| 13 | Z71672G8 | Hex Bolt, 5/8NF x 1-3/4 Gr8 | 8 |
| 14 | Z72251 | Hex Lock Nut 1/2NC | 4 |
| 15 | Z73151 | Flat Washer, 1/2 | 3 |
| 16 | Z74132 | Set Screw 3/8NF | 4 |
| 17 | Z78307 | Machine Screw #10NF x 1-1/2 | 4 |

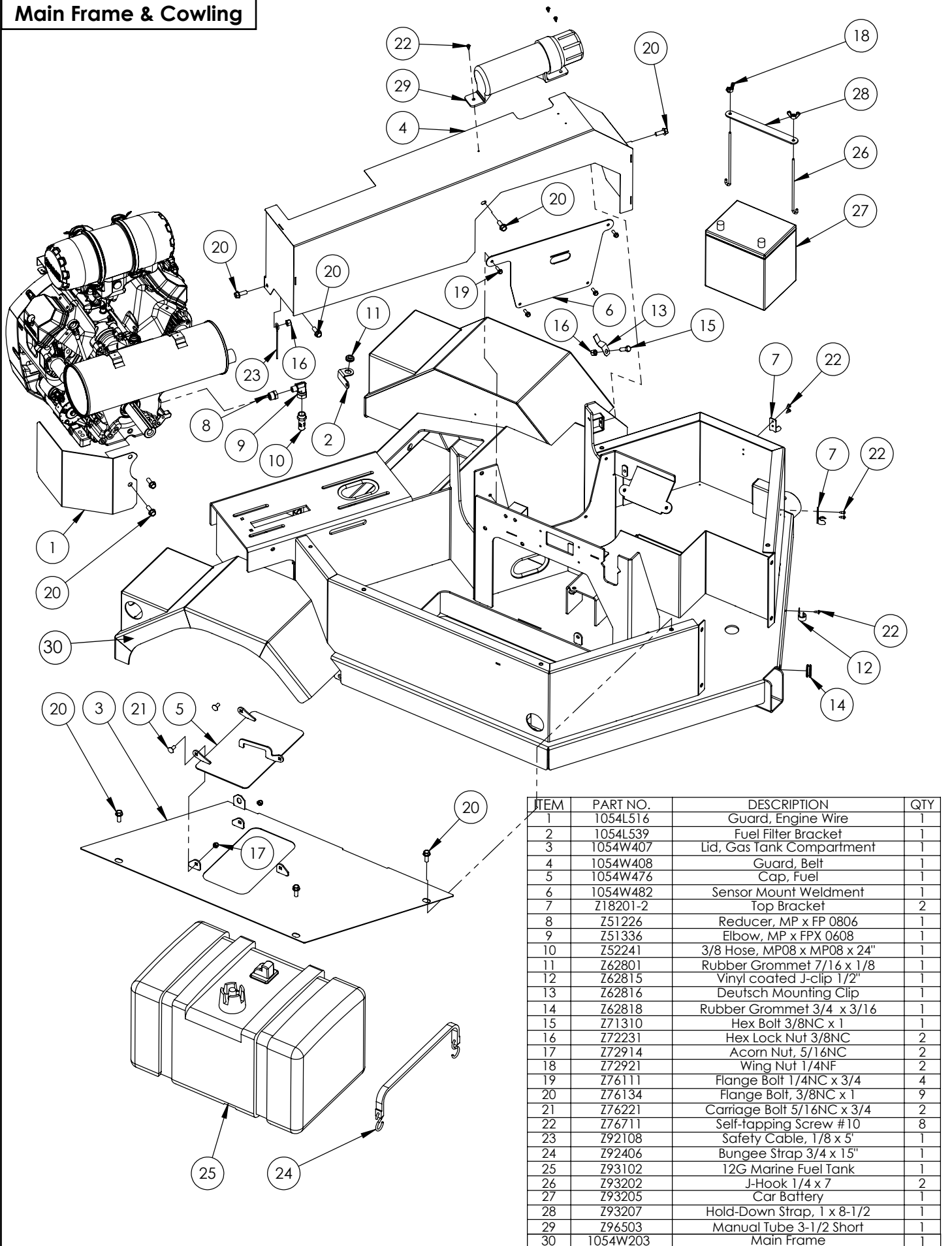


Drive Train

| ITEM | PART NO. | DESCRIPTION | QTY |
|------|----------|---------------------------------|-----|
| 1 | 1054L555 | RPM Indicator | 1 |
| 2 | 1054W490 | Engine Adjustment Plate | 1 |
| 3 | Z41259 | Belt, Double "B" x 77" | 1 |
| 4 | Z41512 | SK Bushing, 2 Bore | 1 |
| 5 | Z41702 | Double "B" Sheave, 12.75" Pitch | 1 |
| 6 | Z41903 | Clutch 1-7/16" BorexDbI"B" 4.6P | 1 |
| 7 | Z46354 | Spacer 1-7/16 x 2.625 | 1 |
| 8 | Z46542 | Key 5/16 x 5/16 x 1 | 1 |
| 9 | Z46556 | Key 3/8 x 3/8 x 2-1/4 | 1 |
| 10 | Z47501 | Kohler CH980 38HP | 1 |
| 11 | Z47505 | Muffler Guard, Kohler 38hp | 1 |
| 12 | Z71220 | Hex Bolt 5/16NC x 2 | 3 |
| 13 | Z71660 | Hex Bolt 5/8NC x 6 | 1 |
| 14 | Z71671 | Hex Bolt 5/8NF x 1-1/2 | 1 |
| 15 | Z72231 | Hex Lock Nut 3/8NC | 8 |
| 16 | Z73130 | Flat Washer 3/8 | 4 |
| 17 | Z73160 | Flat Washer 5/8 | 1 |
| 18 | Z74110 | Set Screw 1/4NC | 1 |
| 19 | Z76232 | Carriage Bolt 3/8NC x 1-1/4 | 4 |
| 20 | Z76632 | Plow Bolt 3/8NC x 2 | 4 |

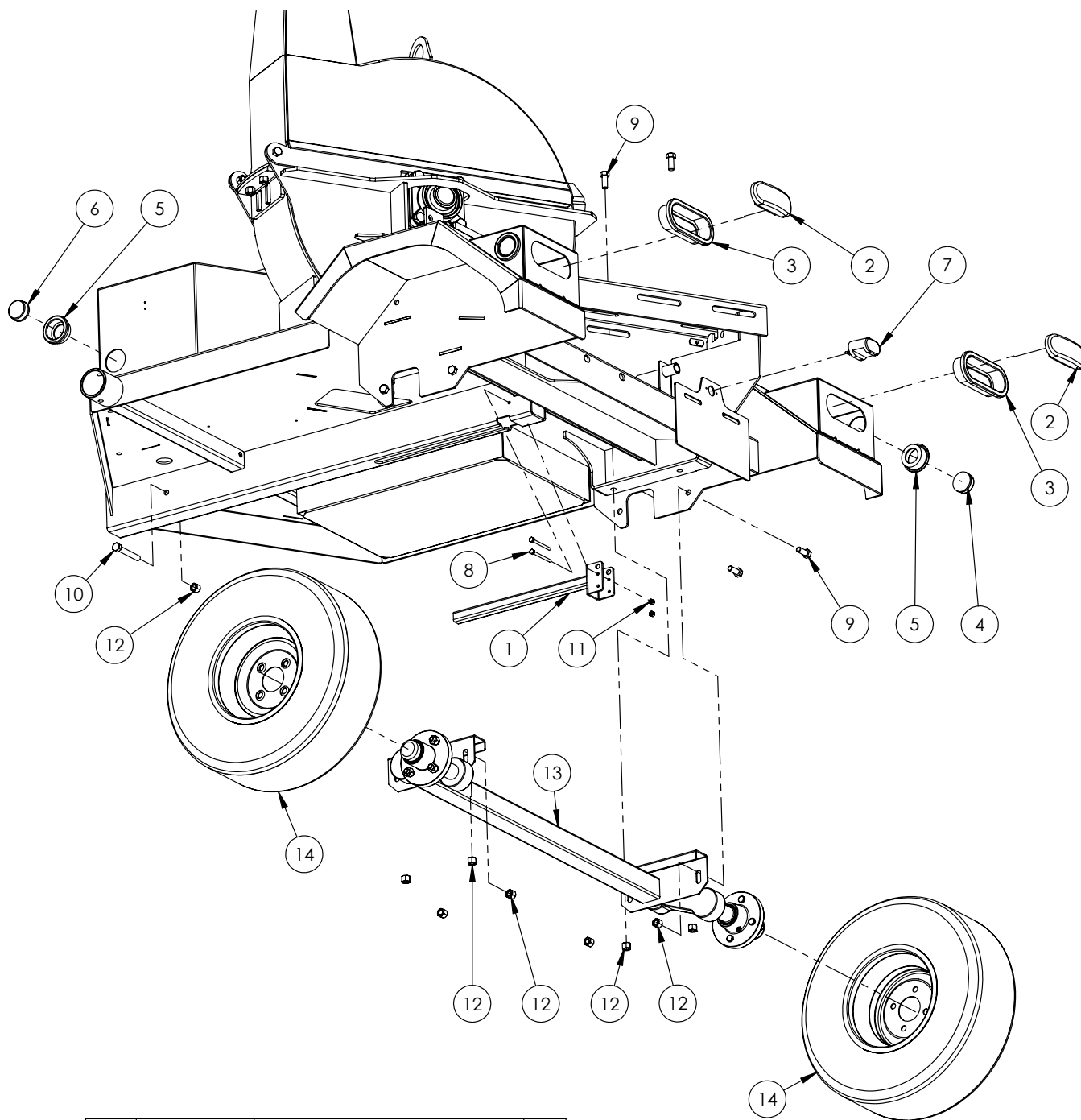


Main Frame & Cowling



| ITEM | PART NO. | DESCRIPTION | QTY |
|------|----------|-----------------------------|-----|
| 1 | 1054L516 | Guard, Engine Wire | 1 |
| 2 | 1054L539 | Fuel Filter Bracket | 1 |
| 3 | 1054W407 | Lid, Gas Tank Compartment | 1 |
| 4 | 1054W408 | Guard, Belt | 1 |
| 5 | 1054W476 | Cap, Fuel | 1 |
| 6 | 1054W482 | Sensor Mount Weldment | 1 |
| 7 | Z18201-2 | Top Bracket | 2 |
| 8 | Z51226 | Reducer, MP x FP 0806 | 1 |
| 9 | Z51336 | Elbow, MP x FPX 0608 | 1 |
| 10 | Z52241 | 3/8 Hose, MP08 x MP08 x 24" | 1 |
| 11 | Z62801 | Rubber Grommet 7/16 x 1/8 | 1 |
| 12 | Z62815 | Vinyl coated J-clip 1/2" | 1 |
| 13 | Z62816 | Deutsch Mounting Clip | 1 |
| 14 | Z62818 | Rubber Grommet 3/4 x 3/16 | 1 |
| 15 | Z71310 | Hex Bolt 3/8NC x 1 | 1 |
| 16 | Z72231 | Hex Lock Nut 3/8NC | 2 |
| 17 | Z72914 | Acorn Nut, 5/16NC | 2 |
| 18 | Z72921 | Wing Nut 1/4NF | 2 |
| 19 | Z76111 | Flange Bolt 1/4NC x 3/4 | 4 |
| 20 | Z76134 | Flange Bolt, 3/8NC x 1 | 9 |
| 21 | Z76221 | Carriage Bolt 5/16NC x 3/4 | 2 |
| 22 | Z76711 | Self-tapping Screw #10 | 8 |
| 23 | Z92108 | Safety Cable, 1/8 x 5' | 1 |
| 24 | Z92406 | Bungee Strap 3/4 x 15" | 1 |
| 25 | Z93102 | 12G Marine Fuel Tank | 1 |
| 26 | Z93202 | J-Hook 1/4 x 7 | 2 |
| 27 | Z93205 | Car Battery | 1 |
| 28 | Z93207 | Hold-Down Strap, 1 x 8-1/2 | 1 |
| 29 | Z96503 | Manual Tube 3-1/2 Short | 1 |
| 30 | 1054W203 | Main Frame | 1 |

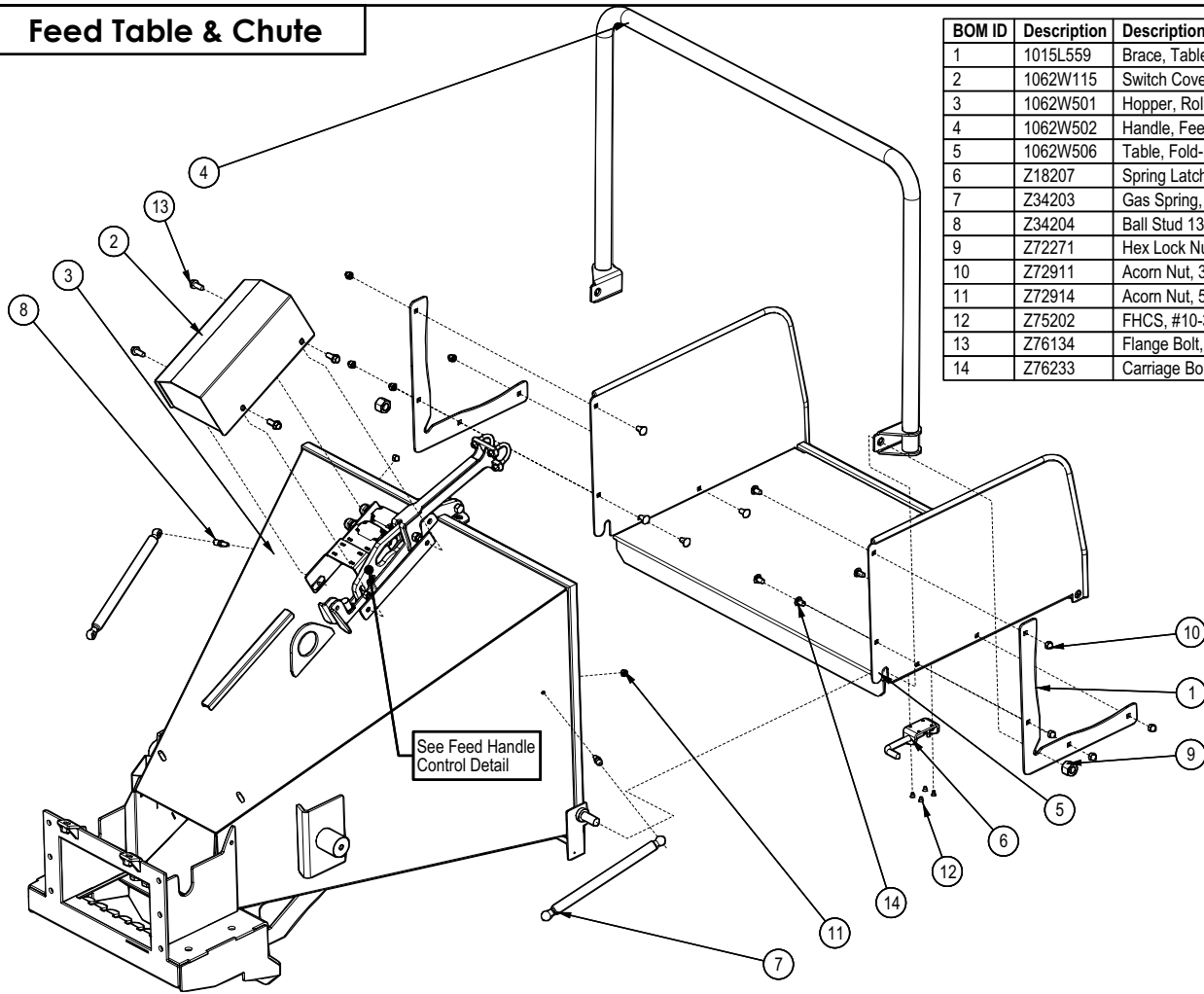
Running Gear & Lighting



| ITEM | PART NO. | DESCRIPTION | QTY |
|------|----------|---------------------------------|-----|
| 1 | 1054W406 | Wire Protector Weldment | 1 |
| 2 | Z61102 | Oval Light 2-1/4 x 6-1/4, Red | 2 |
| 3 | Z61103 | Oval Grommet 2-1/2 x 6.76 | 2 |
| 4 | Z61201 | Round Marker Lamp 2" Red | 2 |
| 5 | Z61202 | Round Grommet 2" Lamp | 4 |
| 6 | Z61205 | Round Marker Lamp 2" Amber | 2 |
| 7 | Z61301 | License Lamp | 1 |
| 8 | Z71130 | Hex Bolt 1/4NC x 3 | 2 |
| 9 | Z71512 | Hex Bolt 1/2NC x 1-1/4 | 8 |
| 10 | Z71535 | Hex Bolt 1/2NC x 3-1/2 | 1 |
| 11 | Z72111 | Hex Lock Nut 1/4NC | 2 |
| 12 | Z72251 | Hex Lock Nut 1/2NC | 9 |
| 13 | Z91115 | #9 Torflex 2000# Axle with Hubs | 1 |
| 14 | Z91303 | 20.5x8-10 LRB USA Trail Solid | 2 |

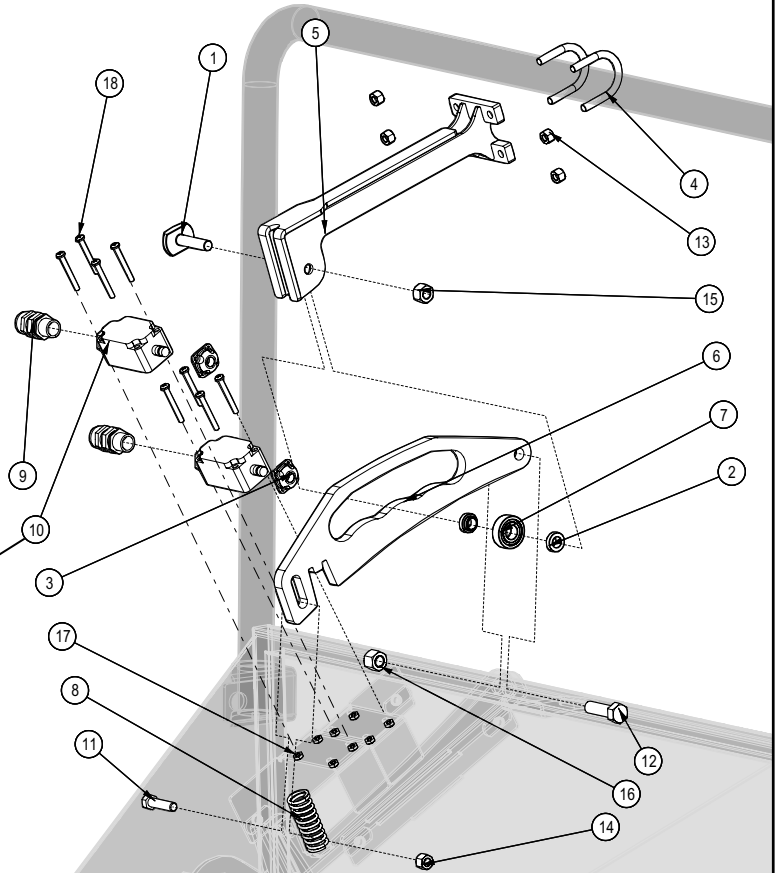
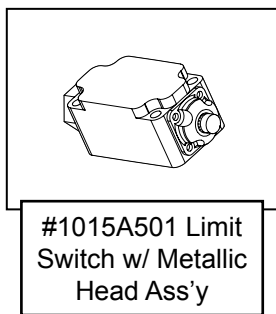
Feed Table & Chute

| BOM ID | Description | Description | Qty |
|--------|-------------|----------------------------------|-----|
| 1 | 1015L559 | Brace, Table Capture | 2 |
| 2 | 1062W115 | Switch Cover Weldment | 1 |
| 3 | 1062W501 | Hopper, Roller Feed | 1 |
| 4 | 1062W502 | Handle, Feed Regulating | 1 |
| 5 | 1062W506 | Table, Fold-Down | 1 |
| 6 | Z18207 | Spring Latch Pin 1/2 x 1" Stroke | 1 |
| 7 | Z34203 | Gas Spring, 10mm x 8.44 Stroke | 2 |
| 8 | Z34204 | Ball Stud 13mm x 5/16 | 2 |
| 9 | Z72271 | Hex Lock Nut, 3/4NC | 2 |
| 10 | Z72911 | Acorn Nut, 3/8NC | 8 |
| 11 | Z72914 | Acorn Nut, 5/16NC | 2 |
| 12 | Z75202 | FHCS, #10-32NF x 3/8 | 4 |
| 13 | Z76134 | Flange Bolt, 3/8NC x 1 | 4 |
| 14 | Z76233 | Carriage Bolt, 3/8NC x 3/4 | 8 |



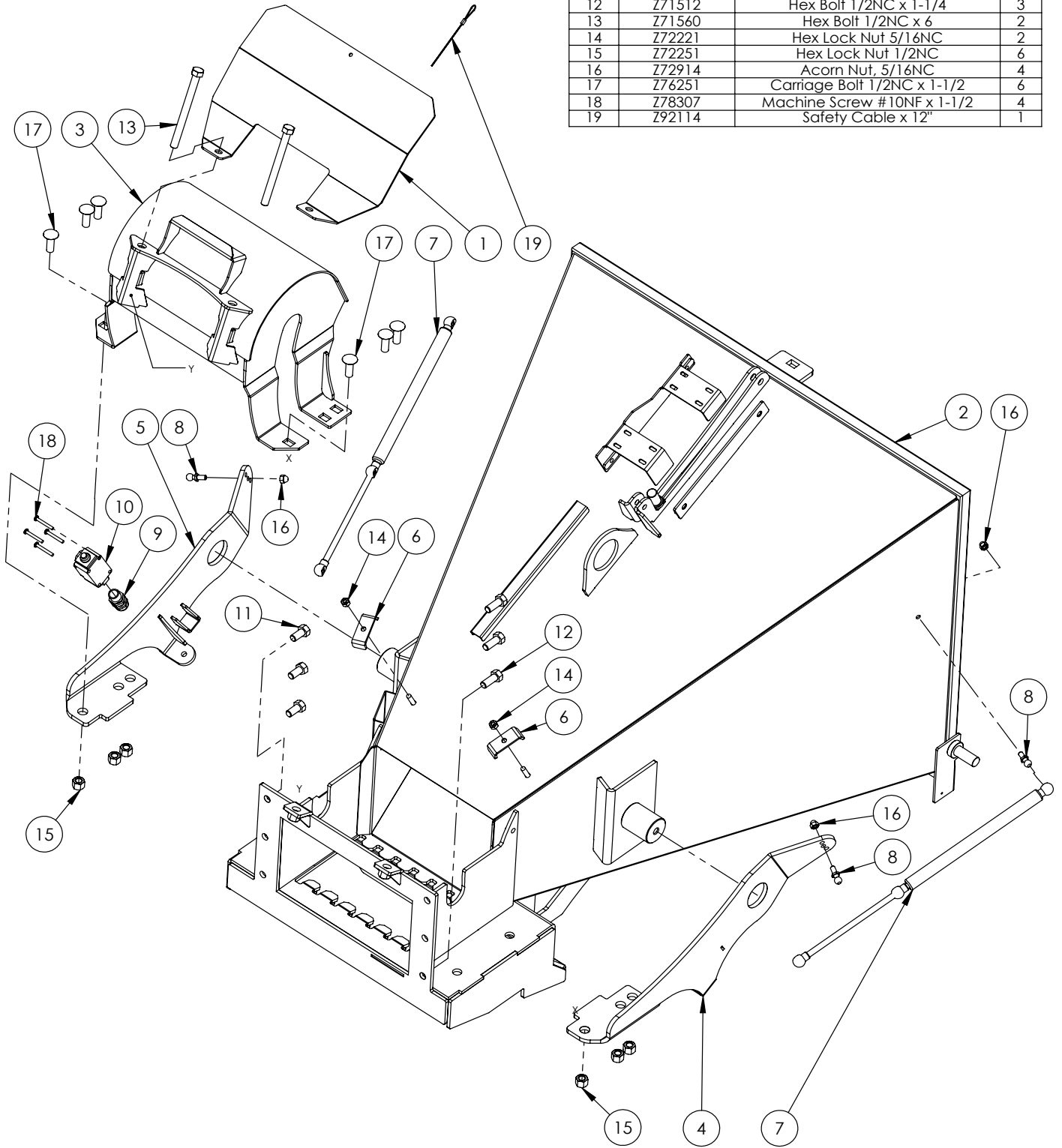
Feed Handle Detail

| BOM ID | Description | Description | Qty |
|--------|-------------|---------------------------------|-----|
| 1 | 1015M536 | Bolt, Indicator Head | 1 |
| 2 | 1015M537 | Bushing, Bearing | 2 |
| 3 | 1015M542 | Metallic Switch Head | 2 |
| 4 | 1015S538 | U-bolt, Bearing Adapter | 2 |
| 5 | 1015W517 | Bearing Adapter | 1 |
| 6 | 1062L607 | Detent Bar | 1 |
| 7 | Z21203 | Ball Bearing 6202 2RS | 1 |
| 8 | Z32403 | Spring 1 x 0.115 x 2-1/2 | 1 |
| 9 | Z62811 | Straight Fitting 1/2" Wire | 2 |
| 10 | Z66107 | Limit Switch | 2 |
| 11 | Z71315 | Hex Bolt, 3/8NC x 1-1/2 | 1 |
| 12 | Z71517 | Hex Bolt, 1/2NC x 1-3/4 | 1 |
| 13 | Z72221 | Hex Lock Nut, 5/16NC | 4 |
| 14 | Z72231 | Hex Lock Nut, 3/8NC | 1 |
| 15 | Z72241 | Hex Lock Nut, 7/16NC | 1 |
| 16 | Z72251 | Hex Lock Nut, 1/2NC | 1 |
| 17 | Z72752 | Machine Nut, #10-32NF | 8 |
| 18 | Z78311 | Machine Screw, #10-32NF x 1-3/4 | 8 |

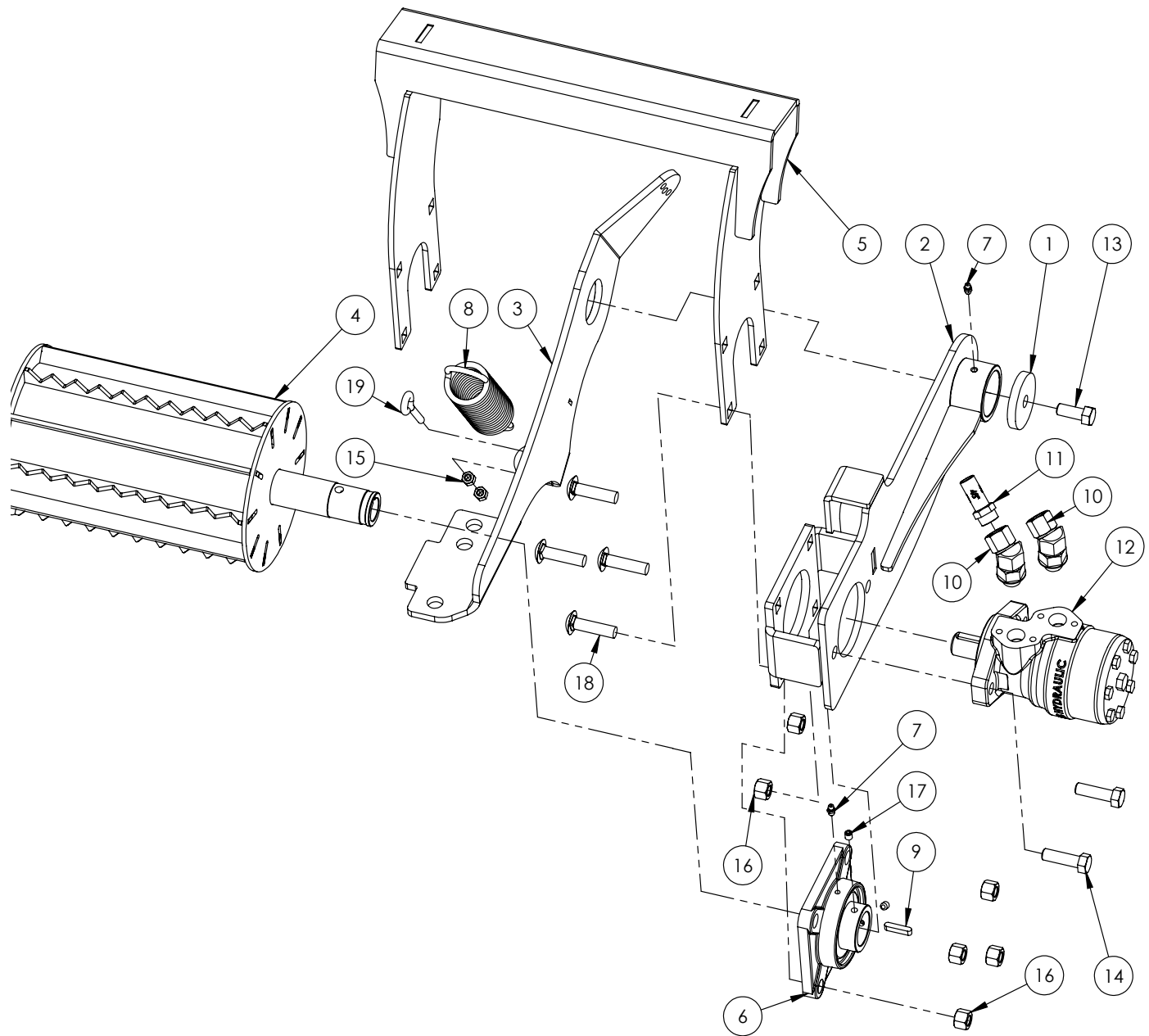


Roller Hood

| ITEM | PART NO. | DESCRIPTION | QTY |
|------|-----------|--------------------------------|-----|
| 1 | 1015L634 | Bridge Guard | 1 |
| 2 | 1015W501 | Hopper, Roller Feed | 1 |
| 3 | 1015W507 | Weldment, Top Roller Hood | 1 |
| 4 | 1015W510 | Weldment, Hood Pivot Arm | 1 |
| 5 | 1015W510H | Weldment, Hood Arm | 1 |
| 6 | 2054L412 | Clamp, Two Hose | 2 |
| 7 | Z34203 | Gas Spring, 10mm x 8.44 Stroke | 2 |
| 8 | Z34204 | Ball Stud 13mm x 5/16 | 4 |
| 9 | Z62811 | Straight Fitting 1/2" Wire | 1 |
| 10 | Z66107 | Limit Switch | 1 |
| 11 | Z71510 | Hex Bolt 1/2NC x 1 | 3 |
| 12 | Z71512 | Hex Bolt 1/2NC x 1-1/4 | 3 |
| 13 | Z71560 | Hex Bolt 1/2NC x 6 | 2 |
| 14 | Z72221 | Hex Lock Nut 5/16NC | 2 |
| 15 | Z72251 | Hex Lock Nut 1/2NC | 6 |
| 16 | Z72914 | Acorn Nut, 5/16NC | 4 |
| 17 | Z76251 | Carriage Bolt 1/2NC x 1-1/2 | 6 |
| 18 | Z78307 | Machine Screw #10NF x 1-1/2 | 4 |
| 19 | Z92114 | Safety Cable x 12" | 1 |

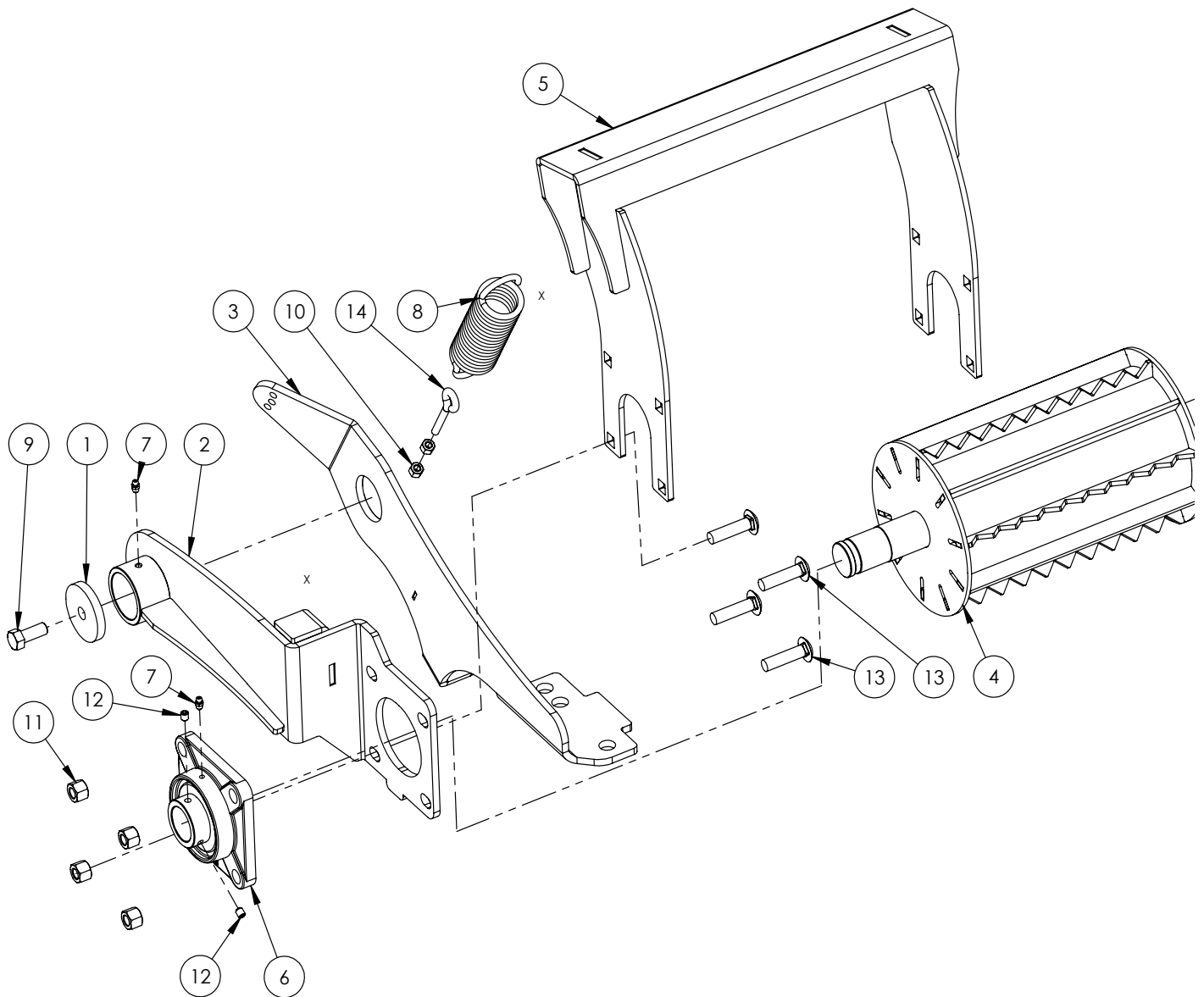


Upper Roller - Left View



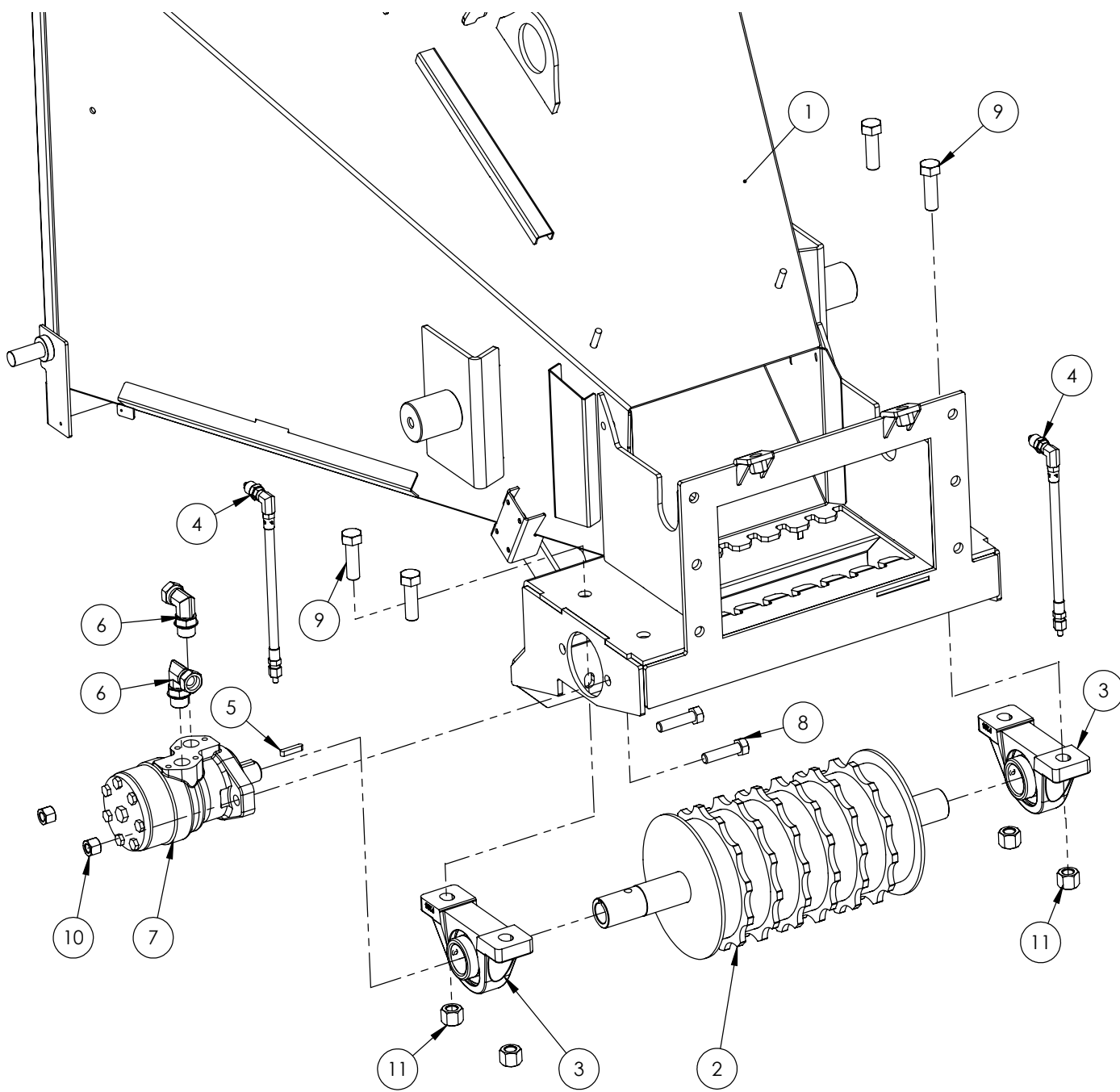
| ITEM | PART NO. | DESCRIPTION | QTY |
|------|----------|-------------------------------|-----|
| 1 | 1015L618 | Capture Washer | 1 |
| 2 | 1015W502 | Arm, Upper Roller | 1 |
| 3 | 1015W510 | Weldment, Hood Pivot Arm | 1 |
| 4 | 1015W513 | Roller, Upper Feed | 1 |
| 5 | 1015W520 | Bridge Weldment | 1 |
| 6 | Z25204 | 4-Bolt Bearing 1-1/2" Bore | 1 |
| 7 | Z29202 | Grease Zerk 1/4NF | 2 |
| 8 | Z31501 | Spring 2 x 7 Heavy | 1 |
| 9 | Z46594 | Blind Chipper Key 1/4 x 1-1/4 | 1 |
| 10 | Z51386 | Elbow 45 MORB x FFX 1008 | 2 |
| 11 | Z52239 | 3/8 Hose, MP08 x MP08 x 48" | 1 |
| 12 | Z54102 | M&S Hydraulic Motor | 1 |
| 13 | Z71512 | Hex Bolt 1/2NC x 1-1/4 | 1 |
| 14 | Z71517 | Hex Bolt, 1/2NC x 1-3/4 | 2 |
| 15 | Z72221 | Hex Lock Nut 5/16NC | 2 |
| 16 | Z72251 | Hex Lock Nut 1/2NC | 6 |
| 17 | Z74121 | Set Screw 5/16NC | 2 |
| 18 | Z76255 | Carriage Bolt, 1/2NC x 2 | 4 |
| 19 | Z76522 | Eye Bolt 5/16NC x 2 | 1 |

Upper Roller - Right View



| ITEM | PART NO. | DESCRIPTION | QTY |
|------|-----------|----------------------------|-----|
| 1 | 1015L618 | Capture Washer | 1 |
| 2 | 1015W508 | Roller Arm, RH | 1 |
| 3 | 1015W510H | Weldment, Hood Arm | 1 |
| 4 | 1015W513 | Roller, Upper Feed | 1 |
| 5 | 1015W520 | Bridge Weldment | 1 |
| 6 | Z25204 | 4-Bolt Bearing 1-1/2" Bore | 1 |
| 7 | Z29202 | Grease Zerk 1/4NF | 2 |
| 8 | Z31501 | Spring 2 x 7 Heavy | 1 |
| 9 | Z71512 | Hex Bolt 1/2NC x 1-1/4 | 1 |
| 10 | Z72221 | Hex Lock Nut 5/16NC | 2 |
| 11 | Z72251 | Hex Lock Nut 1/2NC | 4 |
| 12 | Z74121 | Set Screw 5/16NC | 2 |
| 13 | Z76255 | Carriage Bolt, 1/2NC x 2 | 4 |
| 14 | Z76522 | Eye Bolt 5/16NC x 2 | 1 |

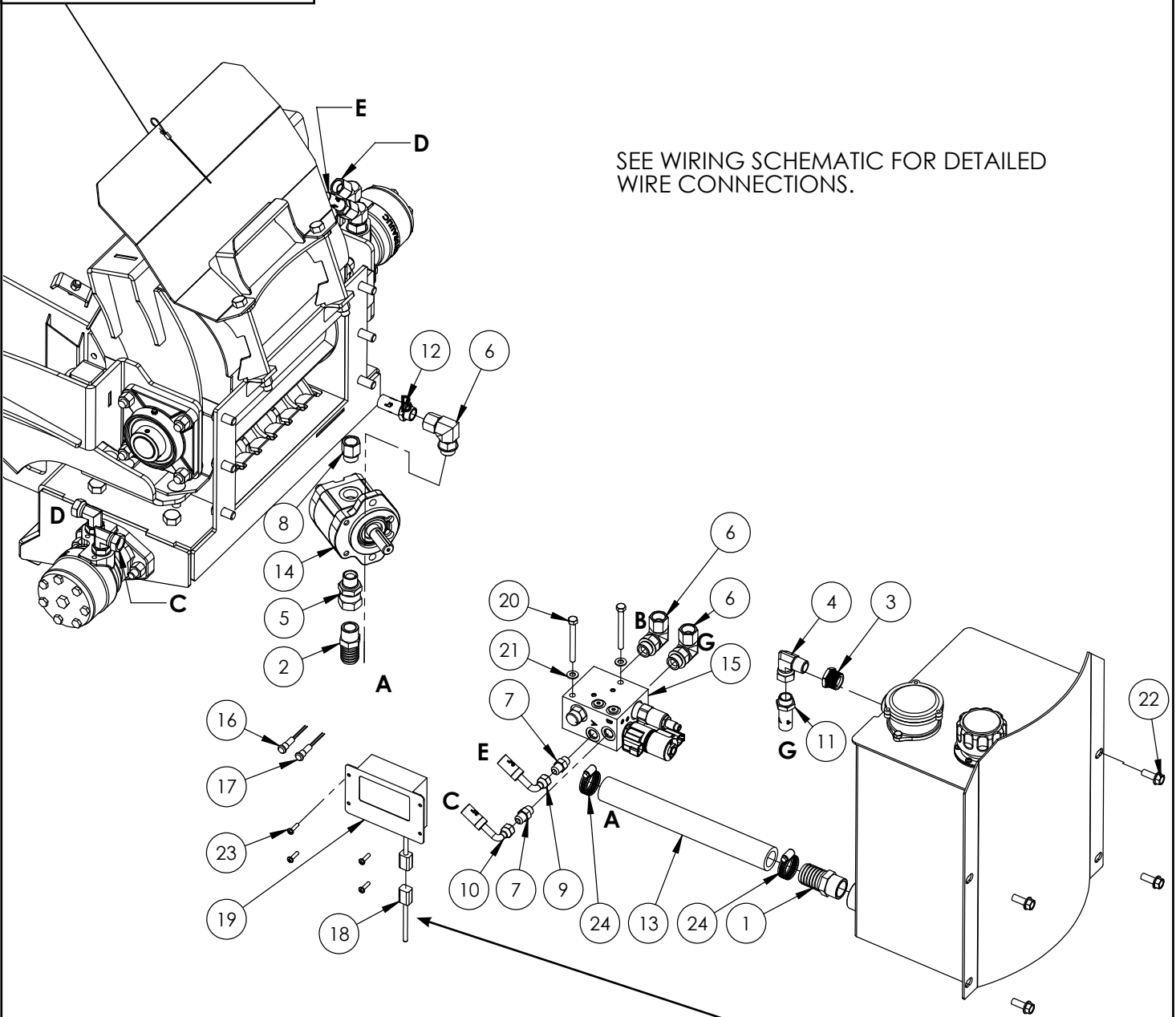
Lower Roller



| ITEM | PART NO. | DESCRIPTION | QTY |
|------|----------|------------------------------------|-----|
| 1 | 1015W501 | Hopper, Roller Feed | 1 |
| 2 | 1015W511 | Roller, Lower Feed | 1 |
| 3 | Z24101 | P208 Pillow Block 1-1/2 | 2 |
| 4 | Z29310 | Grease Whip 9" with Elbow Fittings | 2 |
| 5* | Z46594* | Blind Chipper Key 1/4 x 1-1/4 | 1 |
| 6 | Z51384 | #10ORB x 1/2FNPT 90 Elbow | 2 |
| 7 | Z54102 | M&S Hydraulic Motor | 1 |
| 8 | Z71520 | Hex Bolt 1/2NC x 2 | 2 |
| 9 | Z71620 | Hex Bolt, 5/8NC x 2 | 4 |
| 10 | Z72251 | Hex Lock Nut 1/2NC | 2 |
| 11 | Z72261 | Hex Lock Nut 5/8NC | 4 |

Hydraulic - Electrical

SEE WIRING SCHEMATIC FOR DETAILED WIRE CONNECTIONS.

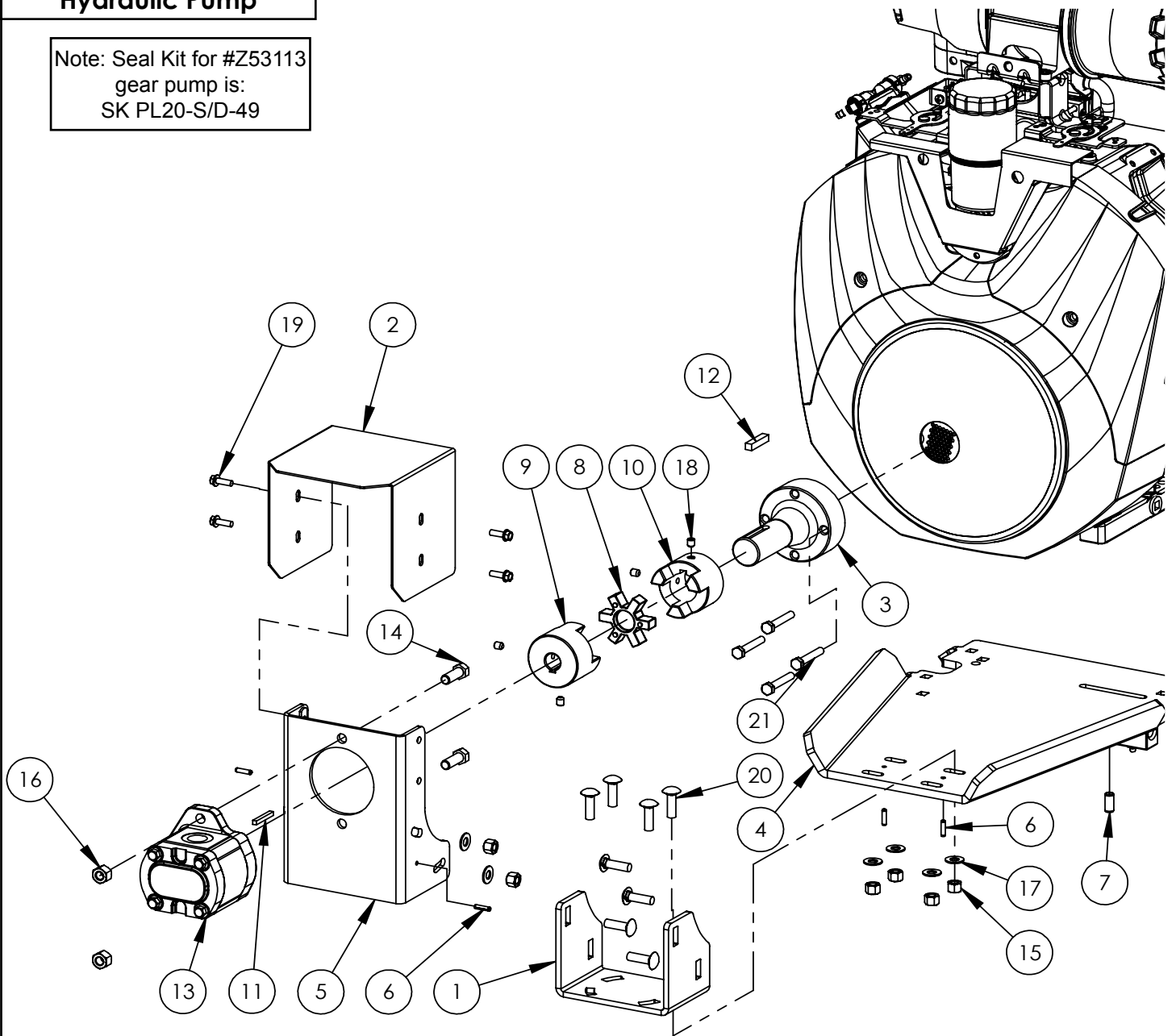


| ITEM | PART NO. | DESCRIPTION | QTY |
|------|----------|----------------------------------|-----|
| 1 | Z51187 | Straight, HB x MP 1616 | 1 |
| 2 | Z51188 | Straight, HB x MP 1612 | 1 |
| 3 | Z51221 | Reducer FP x MP 1208 | 1 |
| 4 | Z51331 | Elbow 90 MP x FPX 0808 | 1 |
| 5 | Z51375 | Straight, MORB x FPX 1012 | 1 |
| 6 | Z51383 | Elbow 90 ORB x FPX 0808 | 3 |
| 7 | Z51641 | #6ORB x #6JIC | 2 |
| 8 | Z51781 | Straight, MORB x FORB 1008 | 1 |
| 9 | Z52242 | 3/8 Hose, #6FJIC 90 x MP08 x 84" | 1 |
| 10 | Z52243 | 3/8 Hose, #6FJIC 90 x MP08 x 32" | 1 |
| 11 | Z52302 | 1/2 Hose, MP08 x MP08 x 9" | 1 |
| 12 | Z52309 | 1/2 Hose, MP08 x MP08 x 67" | 1 |
| 13 | Z52416 | 1" Tank Truck Hose x 66" | 1 |
| 14 | Z53113 | Gear Pump, PLP20.4S | 1 |
| 15 | Z56508 | IntelliFEED Manifold | 1 |
| 16 | Z61304 | Indicator Light, 10mm Green | 1 |
| 17 | Z61305 | Indicator Light, 10mm Red | 1 |
| 18 | Z62111 | BXTR6438 Logic Harness | 1 |
| 19 | Z66204 | Control, IntelliFEED | 1 |
| 20 | Z71230 | Hex Bolt 5/16NC x 3 | 2 |
| 21 | Z73120 | Washer, 5/16 | 2 |
| 22 | Z76134 | Flange Bolt, 3/8NC x 1 | 4 |
| 23 | Z78305 | Machine Screw, #10NC x 3/4 | 4 |
| 24 | Z79401 | Hose Clamp, #16 | 2 |

Note: Speed sensor for IntelliFEED please order: #Z66210 Intel Pickup Sensor w/68" Lead

Hydraulic Pump

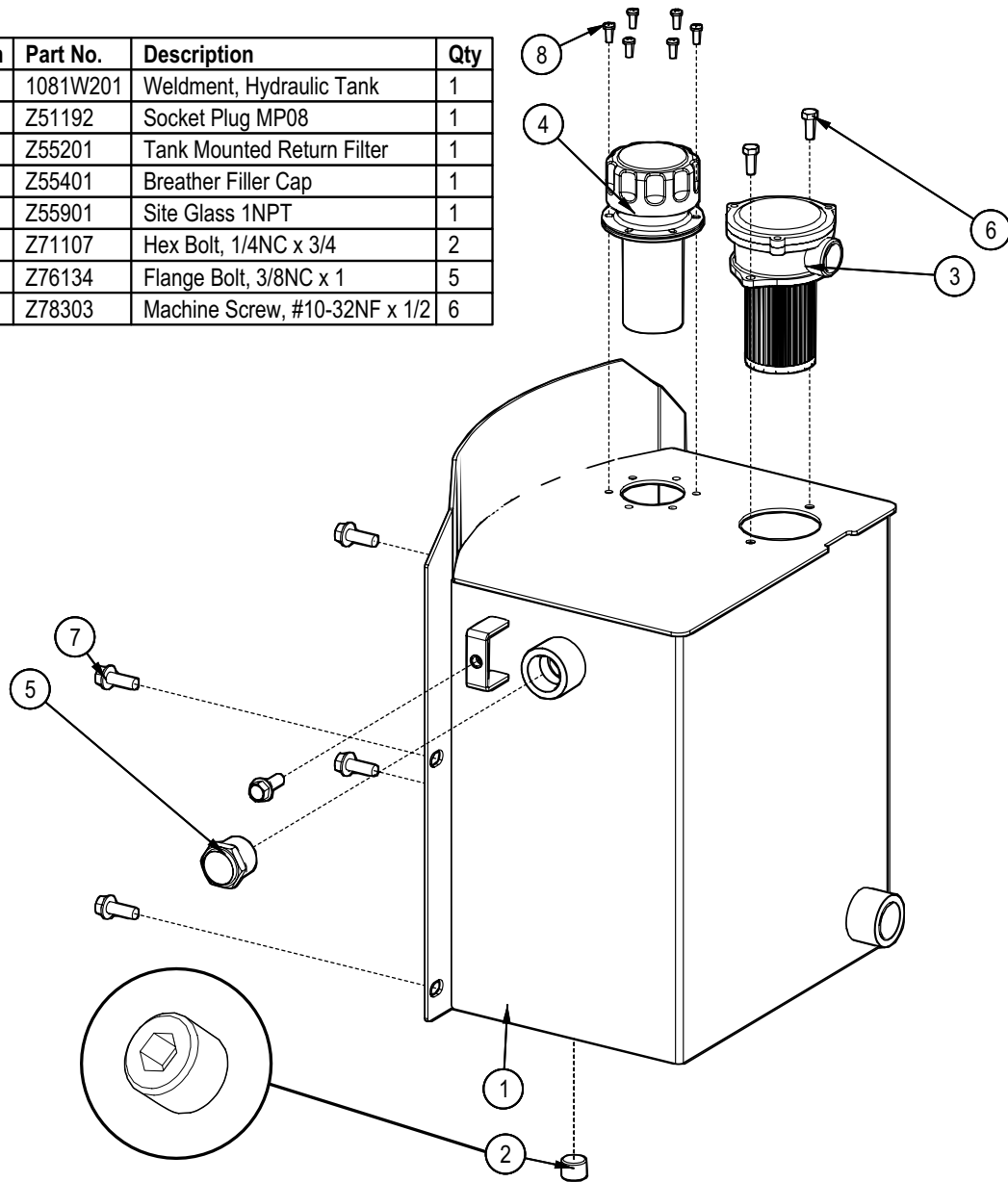
Note: Seal Kit for #Z53113 gear pump is: SK PL20-S/D-49



| ITEM | PART NO. | DESCRIPTION | QTY |
|------|----------|------------------------------|-----|
| 1 | 1054L570 | Adapter Weldment Plate | 1 |
| 2 | 1054L571 | Pump Guard | 1 |
| 3 | 1054M412 | Stub Shaft, Kohler Front | 1 |
| 4 | 1054W490 | Engine Adjustment Plate | 1 |
| 5 | 1054W491 | Pump Mount Weldment | 1 |
| 6 | Z14152 | Roll Pin, 3/16 x 3/4 | 4 |
| 7 | Z14301 | Roll Pin, 10mm x 22mm | 2 |
| 8 | Z46417 | L100 Spider | 1 |
| 9 | Z46424 | Shaft Coupler, L100 x 3/4" | 1 |
| 10 | Z46427 | Shaft Coupler, L100 x 1-3/8" | 1 |
| 11 | Z46523 | Key, 3/16 x 3/16 x 1-1/2 | 1 |
| 12 | Z46543 | Key 5/16 x 5/16 x 1-1/2 | 1 |
| 13 | Z53113 | Gear Pump, PLP20.4S | 1 |
| 14 | Z71412 | Hex Bolt 7/16NC x 1-1/4 | 2 |
| 15 | Z72231 | Hex Lock Nut 3/8NC | 8 |
| 16 | Z72240 | Hex Lock Nut, 7/16NC | 2 |
| 17 | Z73131 | Washer, 3/8 | 8 |
| 18 | Z74121 | Set Screw 5/16NC | 4 |
| 19 | Z76111 | Flange Bolt 1/4NC x 3/4 | 4 |
| 20 | Z76232 | Carriage Bolt 3/8NC x 1-1/4 | 8 |
| 21 | Z77154 | Hex Bolt, M8x1.25x50mm | 4 |

Hydraulic Tank

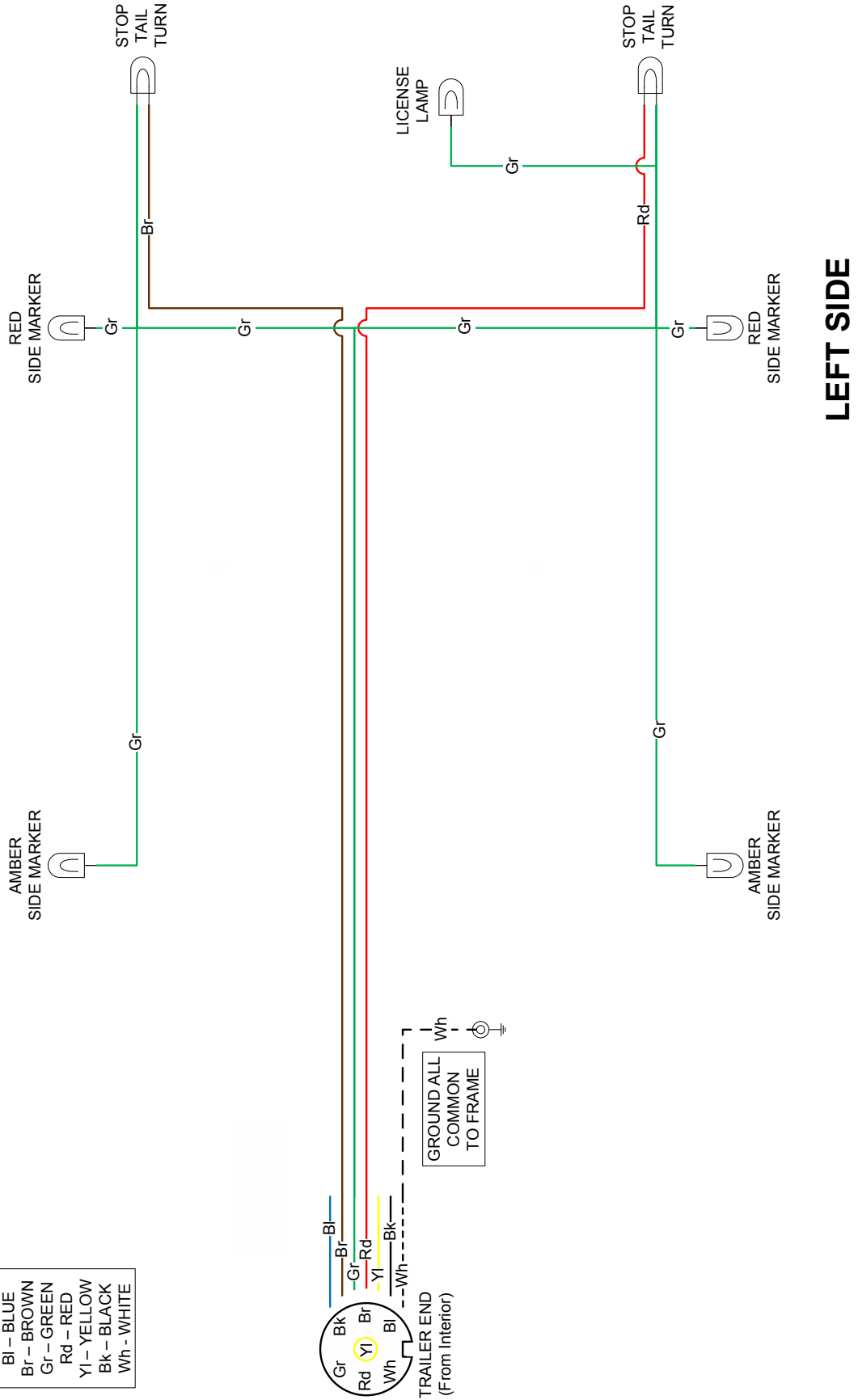
| Item | Part No. | Description | Qty |
|------|----------|-------------------------------|-----|
| 1 | 1081W201 | Weldment, Hydraulic Tank | 1 |
| 2 | Z51192 | Socket Plug MP08 | 1 |
| 3 | Z55201 | Tank Mounted Return Filter | 1 |
| 4 | Z55401 | Breather Filler Cap | 1 |
| 5 | Z55901 | Site Glass 1NPT | 1 |
| 6 | Z71107 | Hex Bolt, 1/4NC x 3/4 | 2 |
| 7 | Z76134 | Flange Bolt, 3/8NC x 1 | 5 |
| 8 | Z78303 | Machine Screw, #10-32NF x 1/2 | 6 |



BXTR6438 7-pin WIRING

KEY

| | |
|----|----------|
| Bl | - BLUE |
| Br | - BROWN |
| Gr | - GREEN |
| Rd | - RED |
| Yl | - YELLOW |
| Bk | - BLACK |
| Wh | - WHITE |



Hydraulic Schematic

Fitting Identification

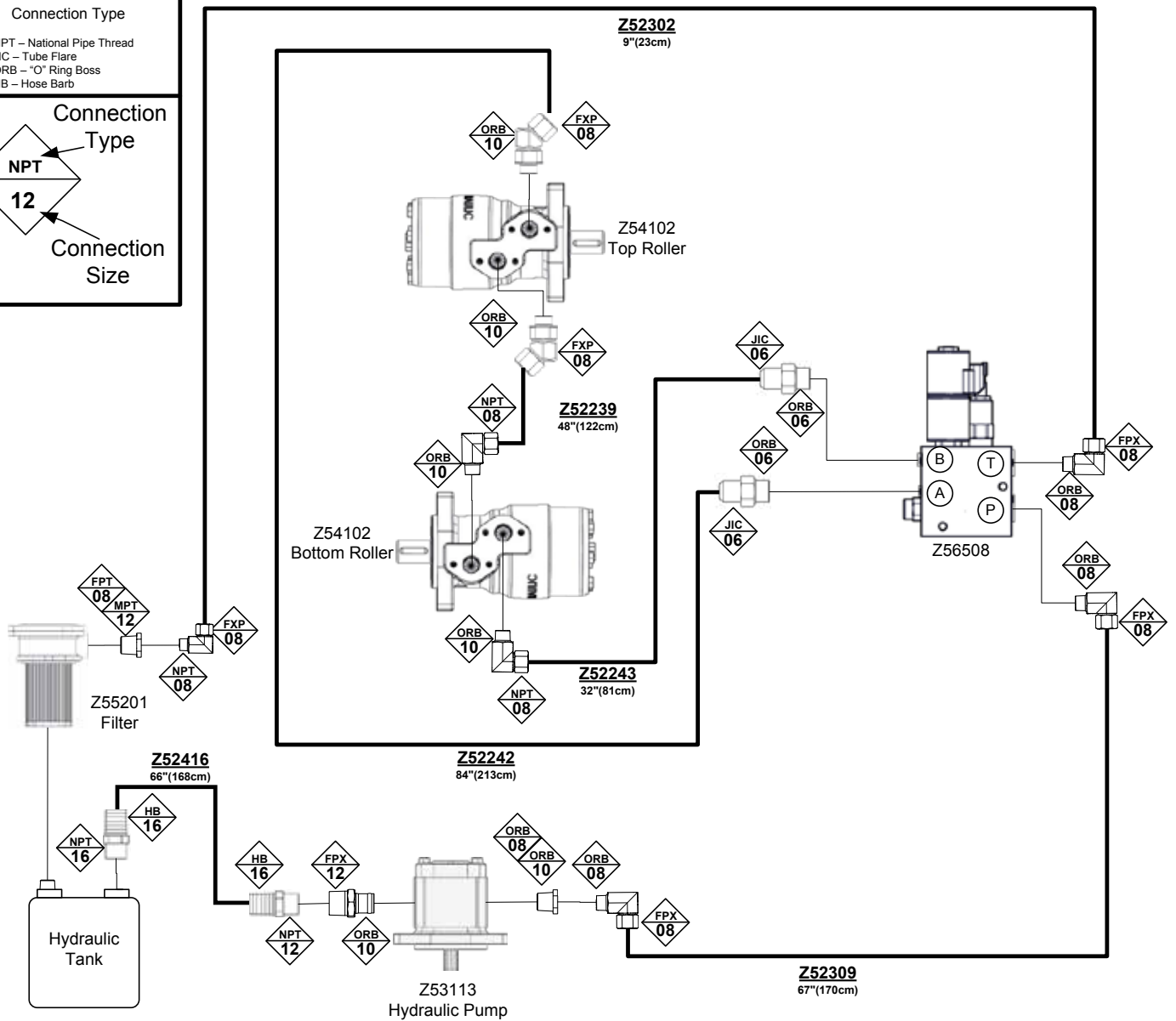
Connection Type

NPT – National Pipe Thread
 JIC – Tube Flare
 ORB – "O" Ring Boss
 HB – Hose Barb

Connection Type

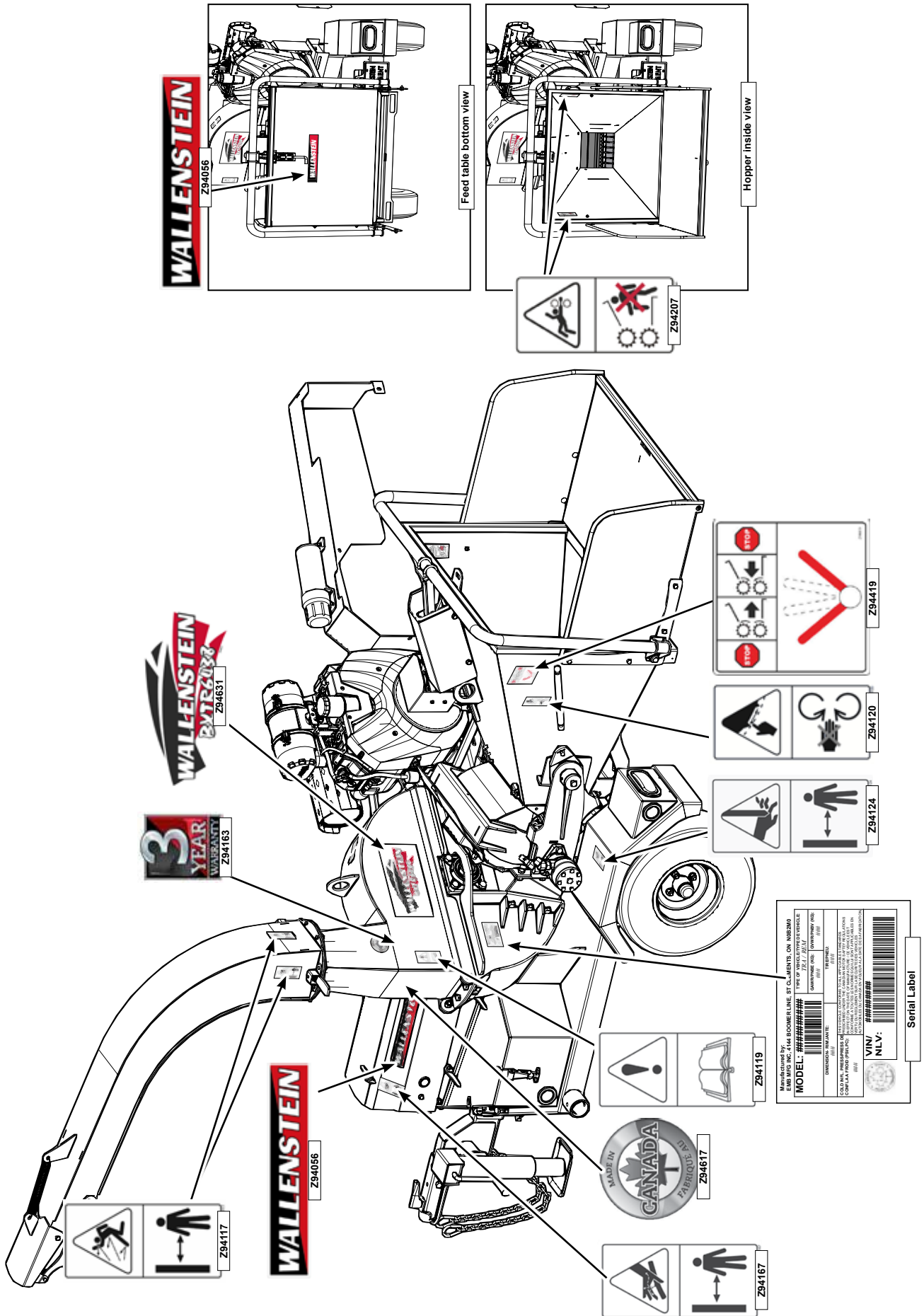
12

Connection Size

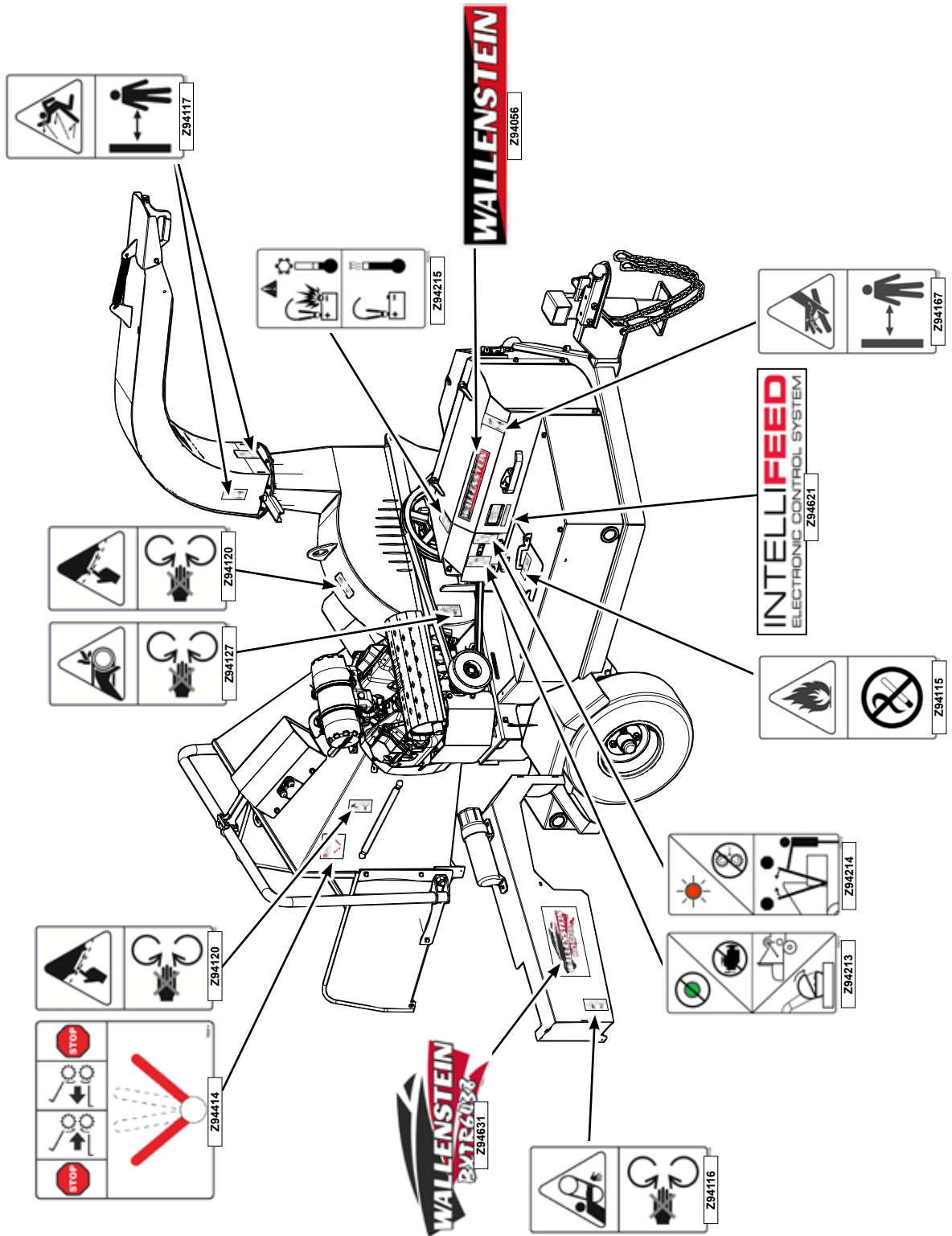


| PART NUMBER | DESCRIPTION | QTY |
|-------------|----------------------------------|-----|
| Z52302 | 1/2 Hose, MP08 x MP08 x 9" | 1 |
| Z52239 | 3/8 Hose, MP08 x MP08 x 48" | 1 |
| Z52242 | 3/8 Hose, #6FJIC 90 x MP08 x 84" | 1 |
| Z52243 | 3/8 Hose, #6FJIC 90 x MP08 x 32" | 1 |
| Z52309 | 1/2 Hose, MP08 x MP08 x 67" | 1 |
| Z52416 | 1" Tank Truck Hose x 64" | 1 |

Label Layout



Label Layout



Accessories

#1012L269



**#1012L269 LEDGER CLEARANCE
SETTING GAUGE**

For **BXTR6438**
An easy and accurate way of setting the critical clearances between the ledger blade and the rotor chipper blade.



**#Z97073 BXTR6438
TRAILER WOOD CHIPPER OPERATOR'S
MANUAL**

Available as a download at
www.embmfg.com