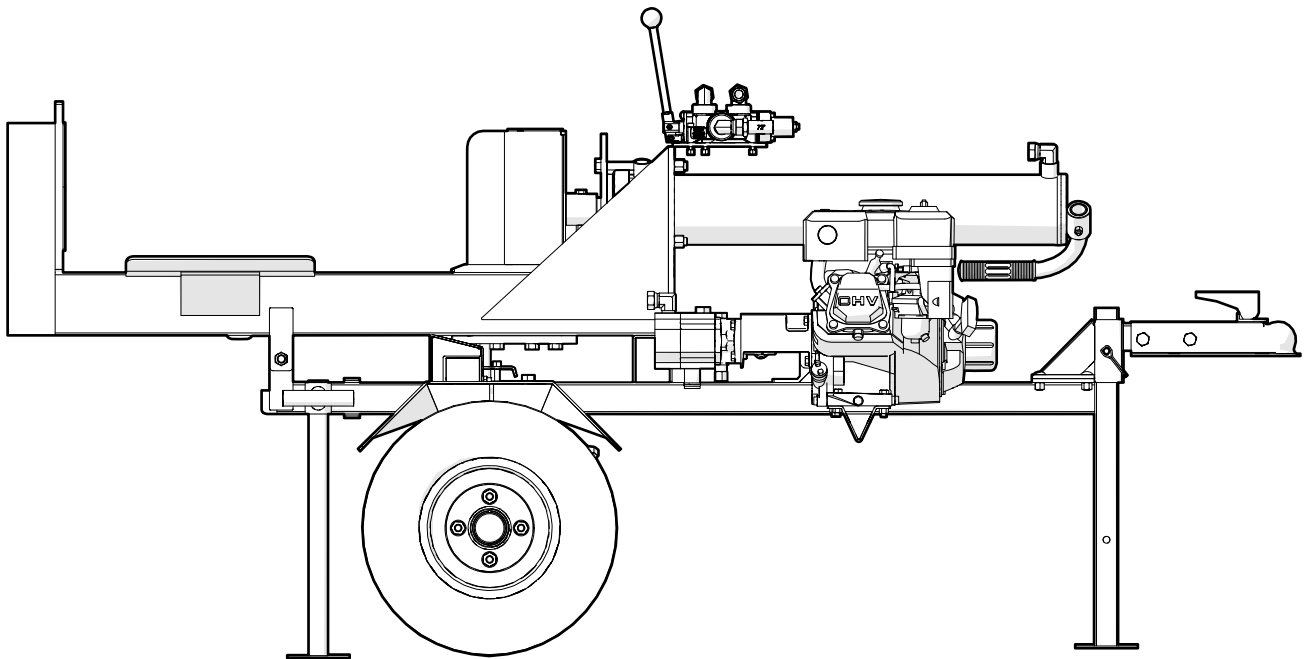


PARTS MANUAL

Serial number 1100204 and up

WX540/540L Trailer Log Splitter



Revision J Jun-2024

Part Number: 2054T100

WALLENSTEIN

Table of Contents

Introduction3
Model and Serial Number Location.....3
Main Parts Assembly4
Splitter Base Assembly.....5
Main Base Assembly.....6
Engine and Hydraulics Assembly7
Valve Assembly8
Valve Service Kits.....8
Hydraulic Circuit.....9
Lights and Harness – WX540L.....10
Label Locations11
Label Locations12
Accessories13
Accessories14
Bolt Torque15
Hydraulic Fitting Torque.....16
Lug Nut Torque16

Introduction

! WARNING!

For safety, operation, and maintenance information, see the Operator's Manual for your product.

Only qualified people are approved to maintain the machine.

! WARNING!

Replace all safety labels that are missing, damaged, or illegible. If a component is replaced and it has a safety label on it, apply a safety label to the new component. If a person operates a machine with missing, damaged, or illegible safety labels it puts them at risk of serious injury or death.

W100

This document provides information about the original equipment manufacturer (OEM) components (parts). Always replace a part with the correct OEM part. For service, support, or to order parts, contact your local Wallenstein Equipment dealer or distributor.

Always provide the model and serial number of your Wallenstein product when you order parts, or request service or other information. The model and serial number location is shown in the following illustration.

Record the model and serial number of your product here:

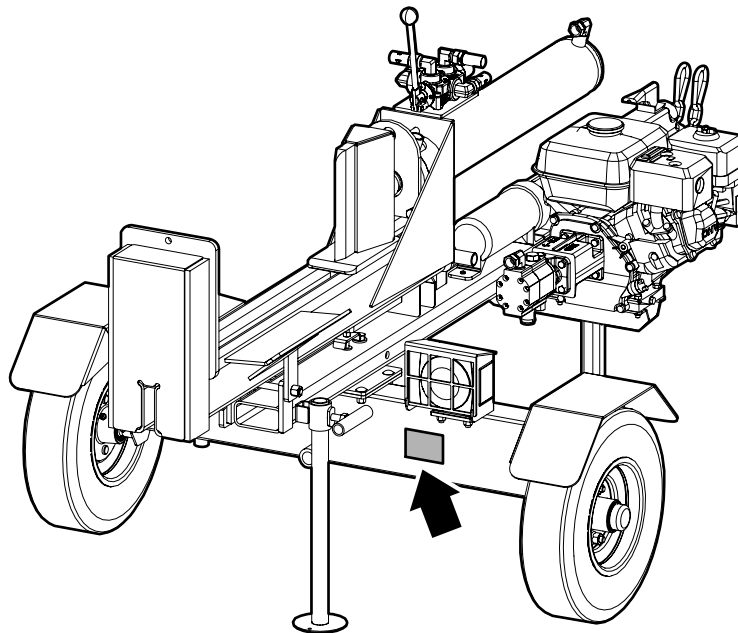
Model	
Serial Number	

The information contained in this document was current at the revision date noted on the bottom of each page. Wallenstein Equipment reserves the right to change product specifications at any time without notice. If your product specifications are different from the information in this document, contact your local dealer or distributor. To find a local dealer or distributor, go to WallensteinEquipment.com and select **Dealer Locator** at the bottom of the page.

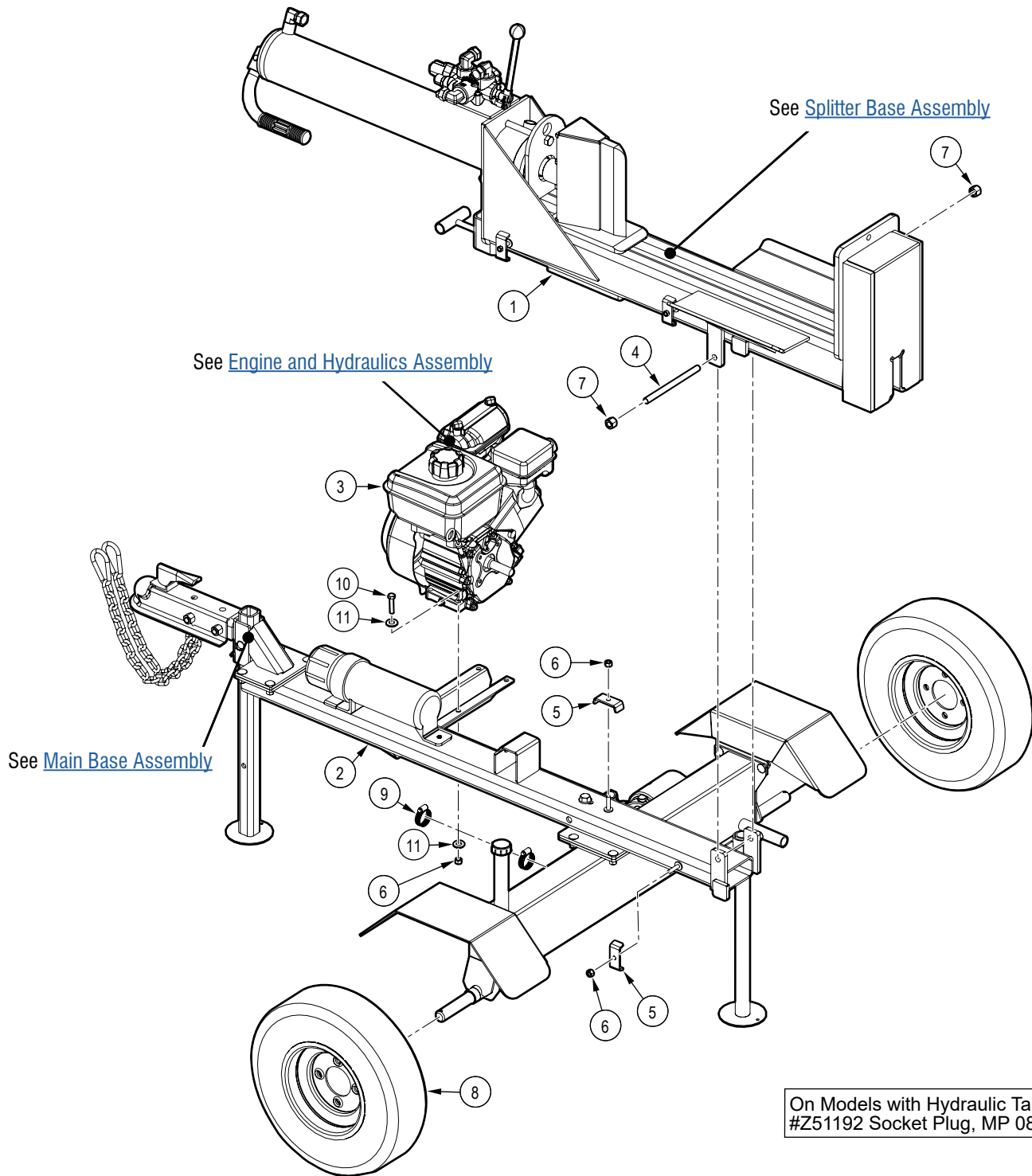
Wallenstein Equipment Inc. • © 2024. All rights reserved.

No part of this work may be copied, reproduced, replaced, distributed, published, displayed, modified, or transferred in any form or by any means except with the prior permission of Wallenstein Equipment Inc.

Model and Serial Number Location



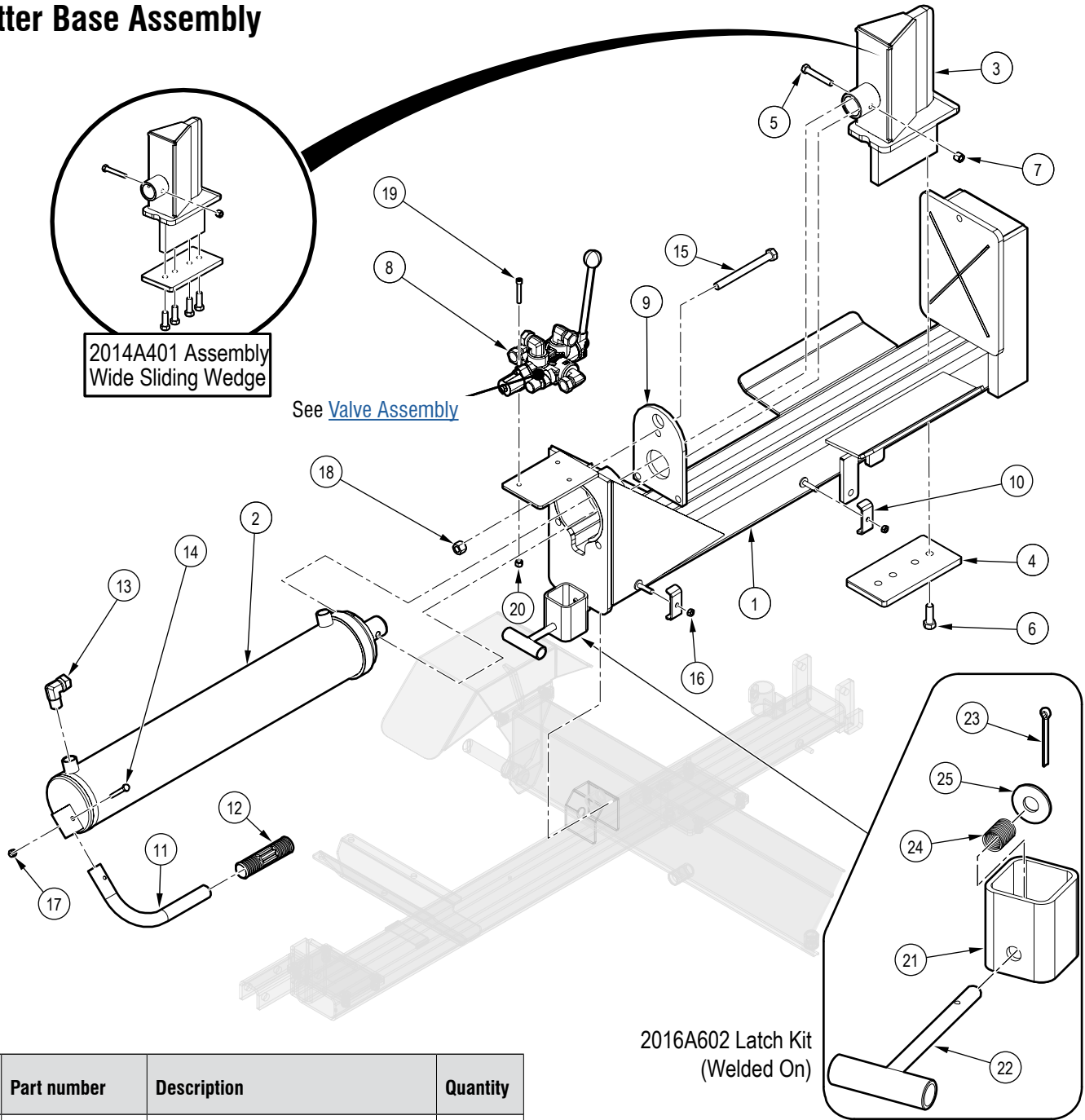
Main Parts Assembly



Item	Part number	Description	Quantity
1	2054A401	Assembly, Splitter Base	1
2	2054A601	Assembly, Main Base	1
3	Z47752	Vanguard 6.5 hp (203cc)	1
4	2016M602	Pin, Pivot Threaded	1
5	2054L412	Clamp, Two Hose	2
6	Z72221	Hex Lock Nut, 5/16NC	6

Item	Part number	Description	Quantity
7	Z72251	Hex Lock Nut, 1/2NC	2
8	Z91301	4.80-8 LRB SportTrail 4on4"	2
9	Z79401	Hose Clamp, SAE #16 (1-1/2")	2
10	Z71217	Hex Bolt, 5/16NC x 1-3/4"	4
11	Z73122G8	SAE Washer, 5/16" Grade 8	8

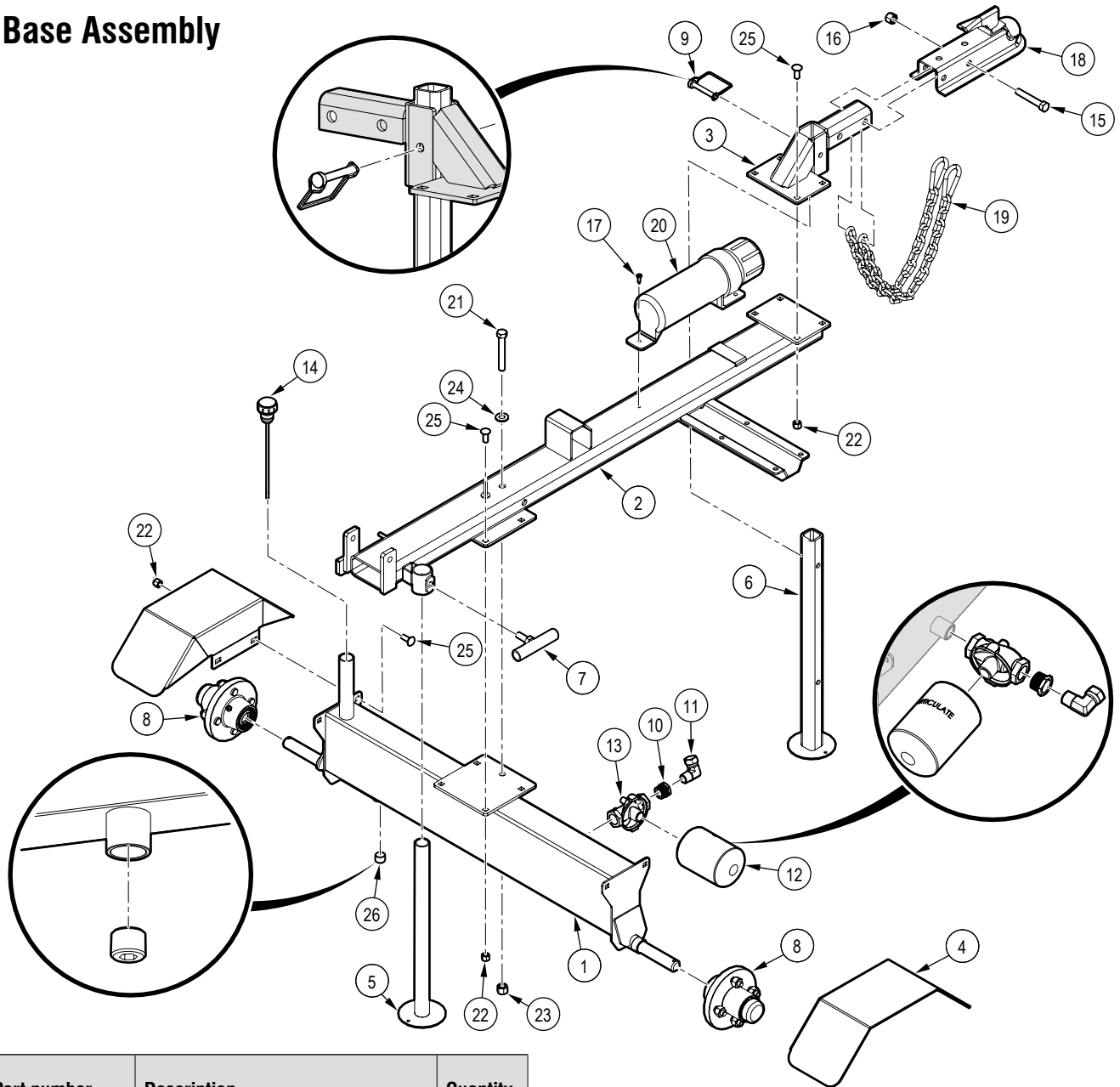
Splitter Base Assembly



Item	Part number	Description	Quantity
1	2054W409	Splitter Base for WX540	1
2	2054C401	Cylinder, 4 x 24 x 1-1/2	1
3	2014W402	Sliding Wedge	1
4	2014S414	Plate, Sliding Wedge Capture	1
5	Z71325	Hex Bolt, 3/8NC x 2-1/2"	1
6	Z71576G8	Hex Bolt, 1/2NF x 1-1/2" G8	4
7	Z72231	Hex Lock Nut, 3/8NC	1
8	2011A103	Assembly, Valve with Fittings	1
9	2014S421	Plate, Cylinder Retaining (Bolt)	1
10	2054L412	Clamp, Two Hose	2
11	2054S414	Handle, Lif	1
12	Z19321	Handle Grip, 1"	1
13	Z51331	Elbow 90, MP x FPX 0808	1
14	Z71120	Hex Bolt, 1/4NC x 2"	1

Item	Part number	Description	Quantity
15	Z71555	Hex Bolt, 1/2NC x 5-1/2"	3
16	Z72112	Hex Nut, 1/4NF	2
17	Z72211	Hex Lock Nut, 1/4NC	1
18	Z72251	Hex Lock Nut, 1/2NC	3
19	Z75114	SHCS, 1/4NC x 1-3/4"	3
20	Z72211	Hex Lock Nut, 1/4NC	3
21	2016S604	Housing, Latch Spring	1
22	2016W603	Handle, Spring Latch	1
23	Z12321	Cotter Pin, 3/16" x 1-3/4"	1
24	Z32301	Comp Spring, OD x 3" x 0.063"	1
25	Z73251	USS Washer, 1/2"	1

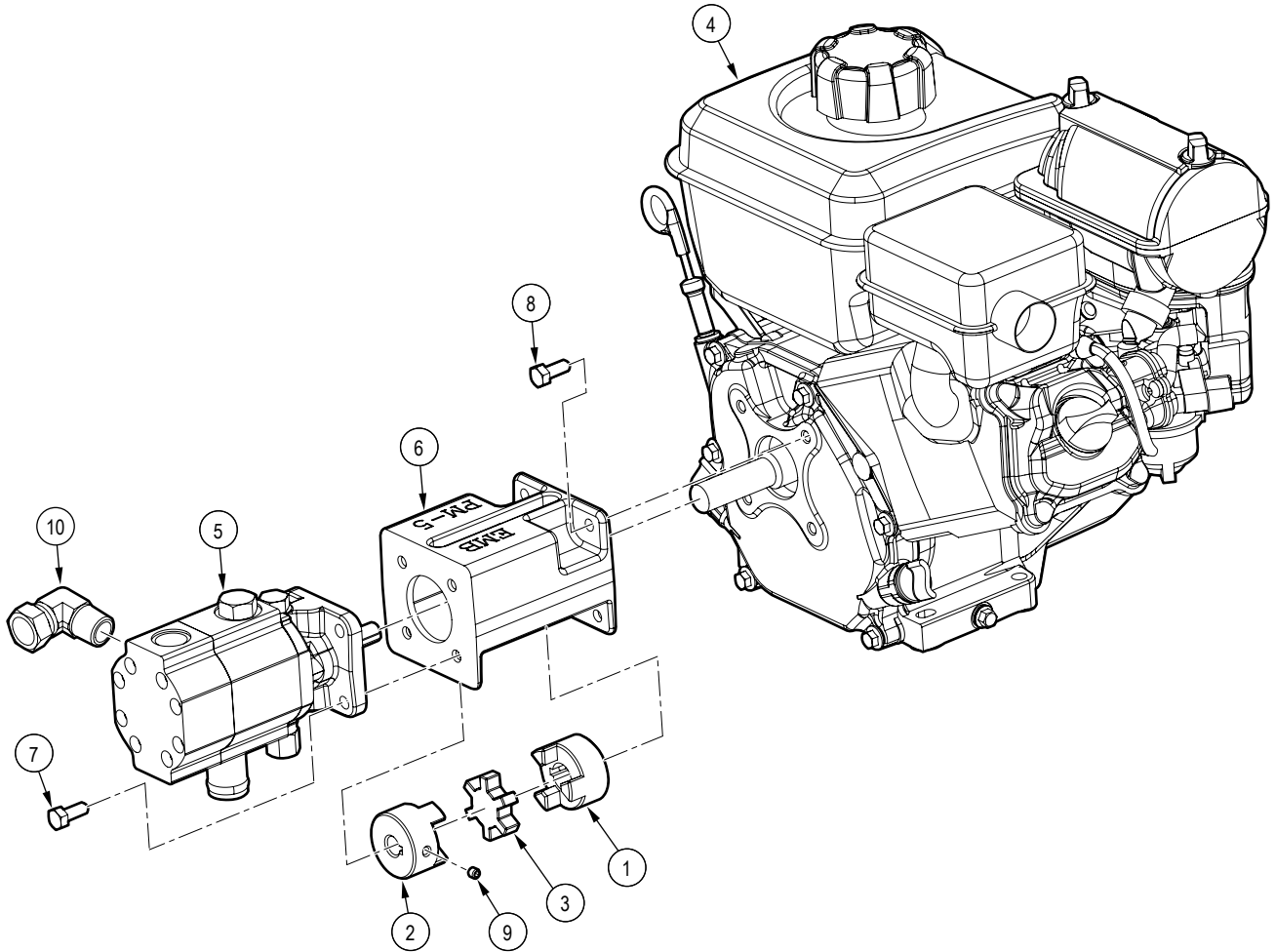
Main Base Assembly



Item	Part number	Description	Quantity
1	2054W661	WX540 Tank/Axle	1
1	2054W661-L	WX540L Tank/Axle	1
2	2054W602	Trailer Spine	1
3	2054W604	Hitch Mount	1
4	2054W408	Fender	2
5	2054W405	Jack Stand, Rear	1
6	2054W406	Jack Stand, Front	1
7	2054W407	Handle, Rear Jack Lock	1
8	Z91202	Idler Hub Assy, 1000lbs x 4on4" x 1"	2
9	Z12432	Snap Lock Pin, 3/8" x 2-1/2"	1
10	Z51221	Straight, MP x FP 120	1
11	Z51331	Elbow 90, MP x FPX 0808	1
12	Z55301	Particulate Filter, FP1	1
13	Z55302	Filter Cap, MP12 x FP12	1
14	Z55404	Vented Plug Dipstick x 9"	1

Item	Part number	Description	Quantity
15	Z71530	Hex Bolt, 1/2NC x 3"	2
16	Z72251	Hex Lock Nut, 1/2NC	2
17	Z76712	Self-tapping Screw, #10 x 3/4	1
18	Z9161	Hitch Coupler, 2" Ball x 2" x 3500 lb	1
19	Z92303	Safety Chain, 1/4" x 2ft with Snap	2
20	Z96503	Manual Tube, 3-1/2" Short	1
21	Z71535	Hex Bolt, 1/2NC x 3-1/2"	1
22	Z72231	Hex Lock Nut, 3/8NC	12
23	Z72251	Hex Lock Nut, 1/2NC	1
24	Z73151	SAE Washer, 1/2	1
25	Z76231	Carriage Bolt, 3/8NC x 1	12
26	Z51192	Socket Plug, MP 08	1

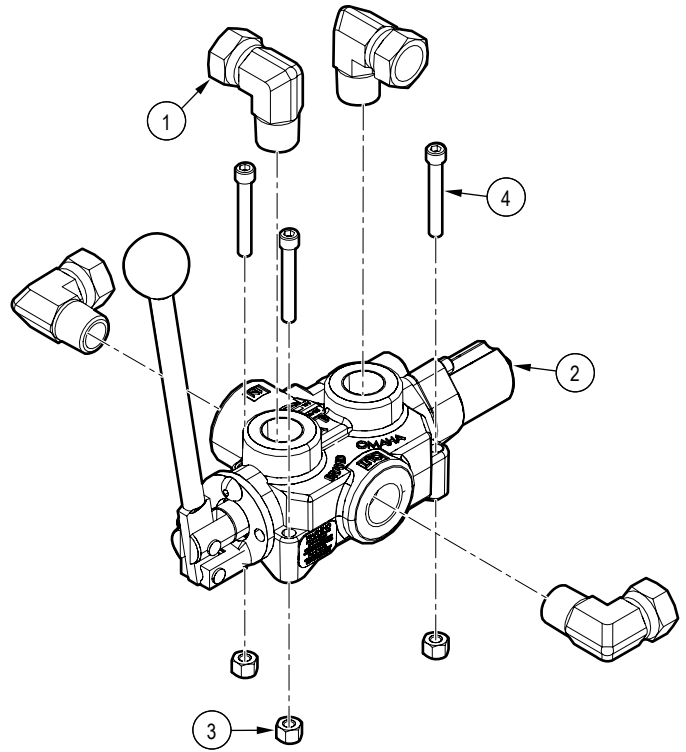
Engine and Hydraulics Assembly



Item	Part number	Description	Quantity
1	Z46406	Shaft Coupler, L075 x 3/4"	1
2	Z46410	Shaft Coupling, L075 x 1/2"	1
3	Z46408	Spider, L075	1
4	Z47752	Vanguard 6.5 hp (203 cc)	1
5	Z53204	Two-Stage Pump, 11GPM	1

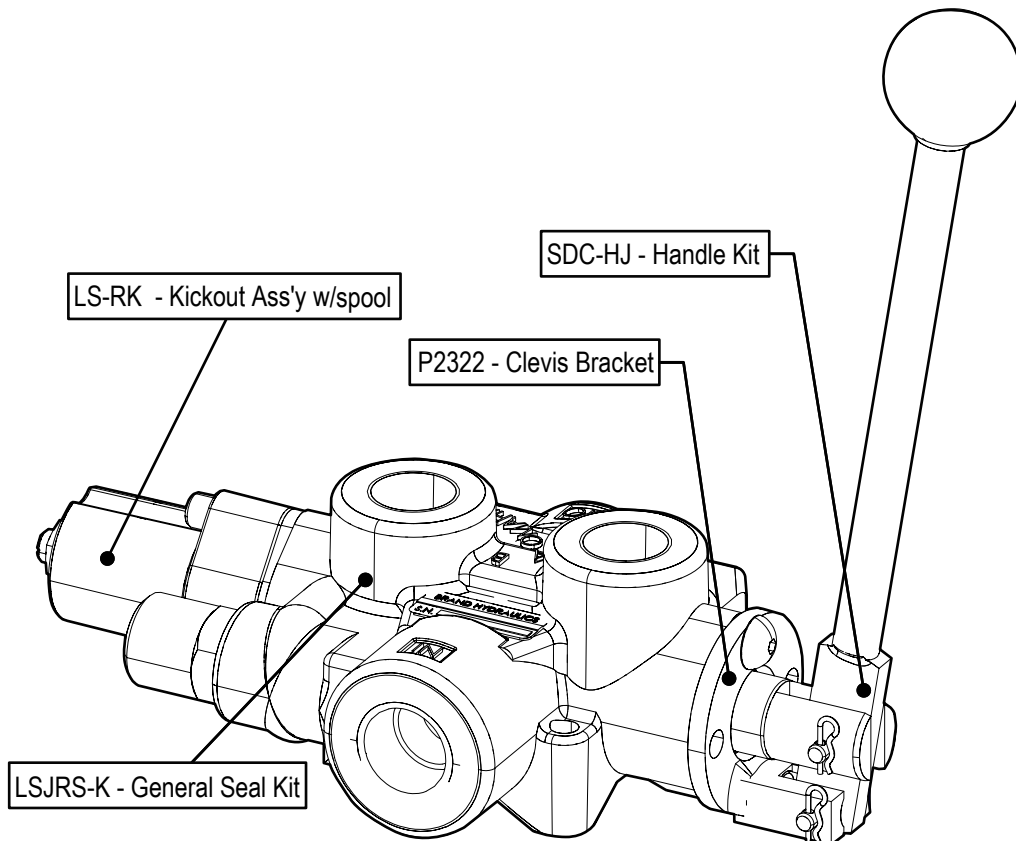
Item	Part number	Description	Quantity
6	Z53801	Pump Mount, PM-5	1
7	Z71207	Hex Bolt, 5/16NC x 3/4"	4
8	Z71273	Hex Bolt, 5/16NF x 3/4"	4
9	Z74111	Set Screw, 1/4NC x 1/4"	2
10	Z51331	Elbow 90, MP x FPX 0808	1

Valve Assembly

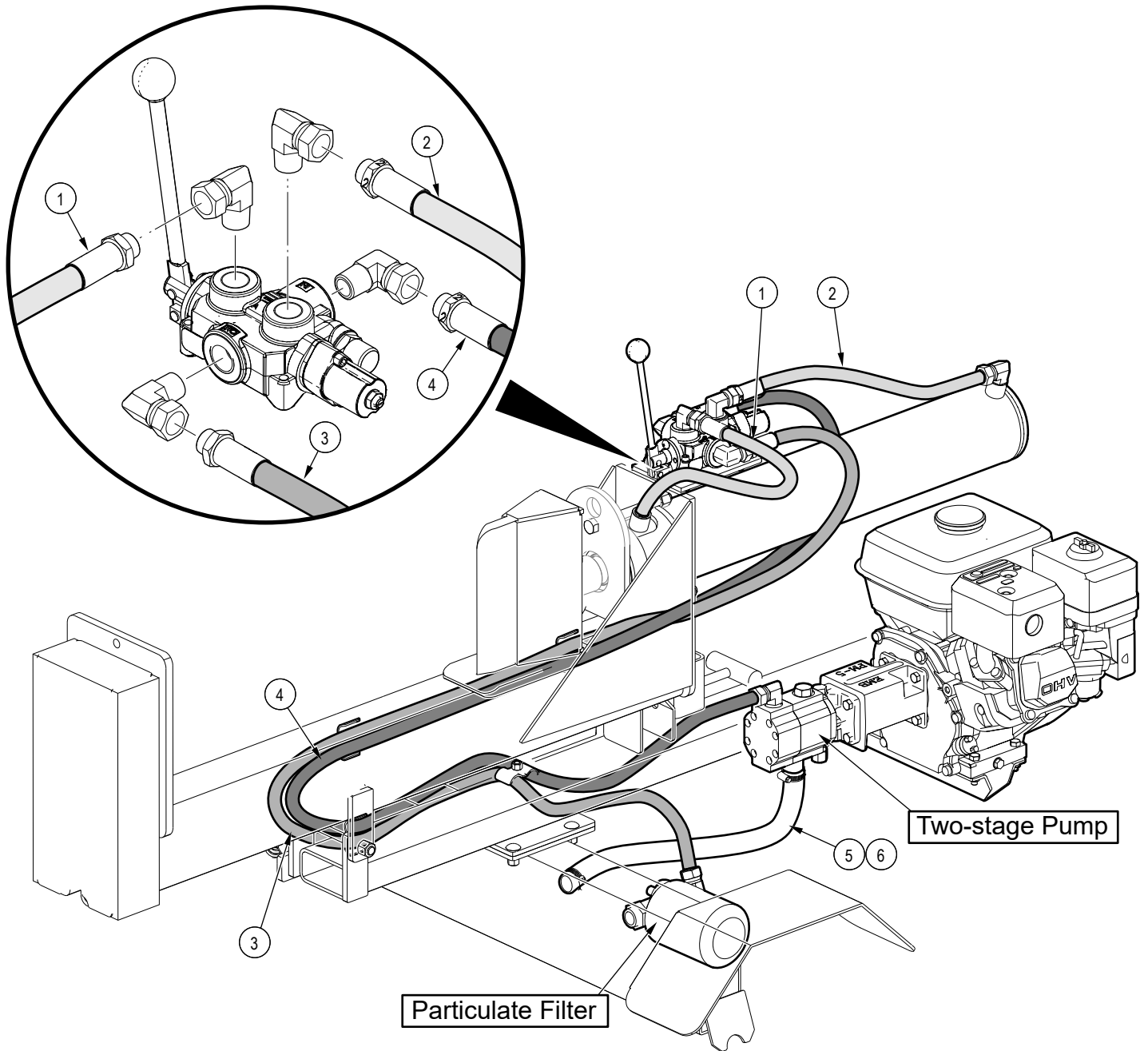


Item	Part number	Description	Quantity
1	Z51331	Elbow 90 MP x FPX 0808	4
2	Z56209	Valve, Single Function Detent	1
3	Z72211	Hex Lock Nut, 1/4NC	3
4	Z75114	SHCS, 1/4NC x 1-3/4"	3

Valve Service Kits

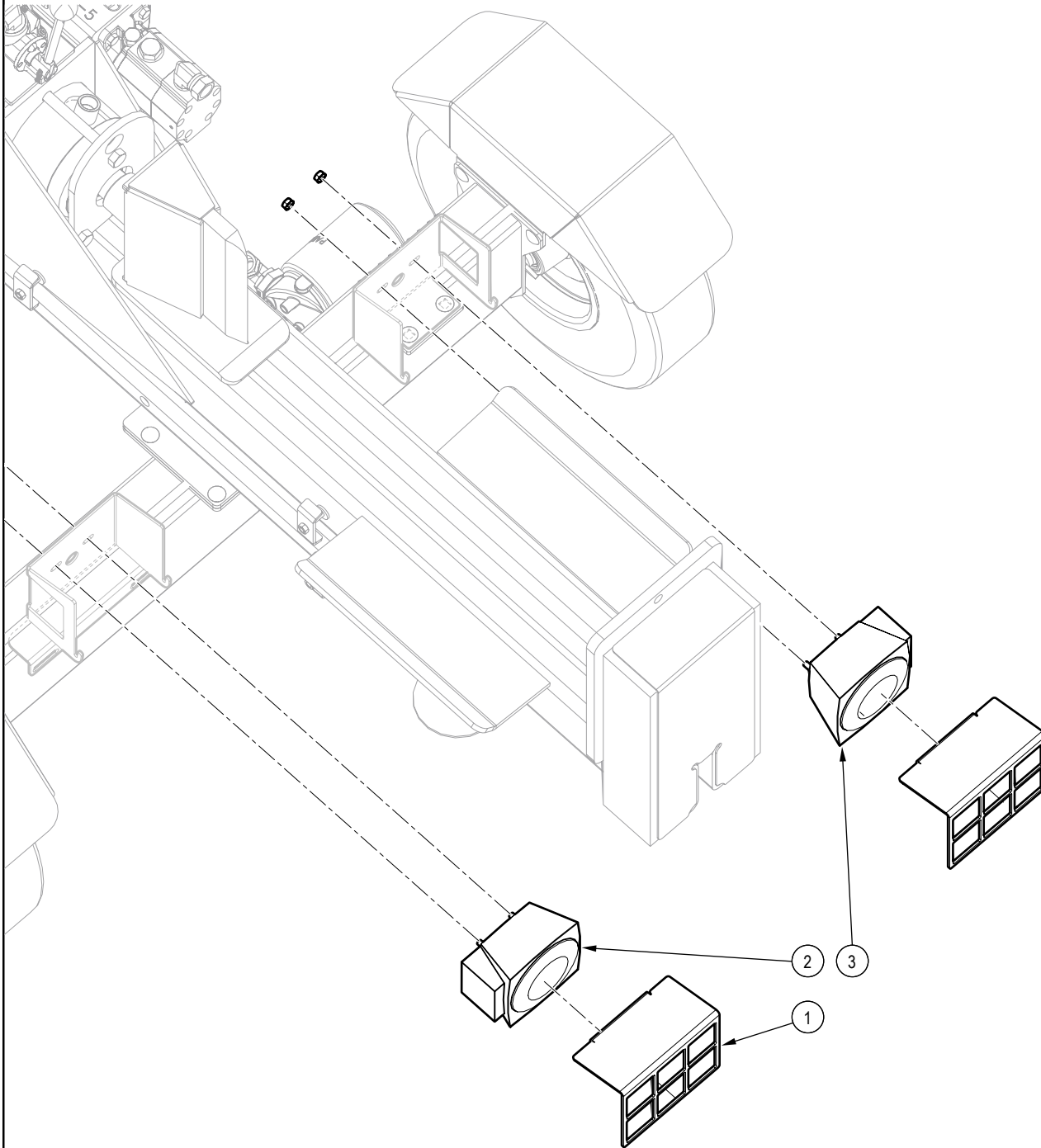


Hydraulic Circuit



Item	Part number	Description	Quantity
1	Z52305	1/2" Hose, MP08 x MP08 x 13"	1
2	Z52301	1/2" Hose, MP08 x MP08 x 19"	1
3	Z52311	1/2" Hose, MP08 x MP08 x 72"	1
4	Z52309	1/2" Hose, MP08 x MP08 x 67"	1
5	Z52405	Suction Hose, 1" x 24"	1
6	Z79401	Hose Clamp, SAE #16 (1-1/2")	2

Lights and Harness – WX540L

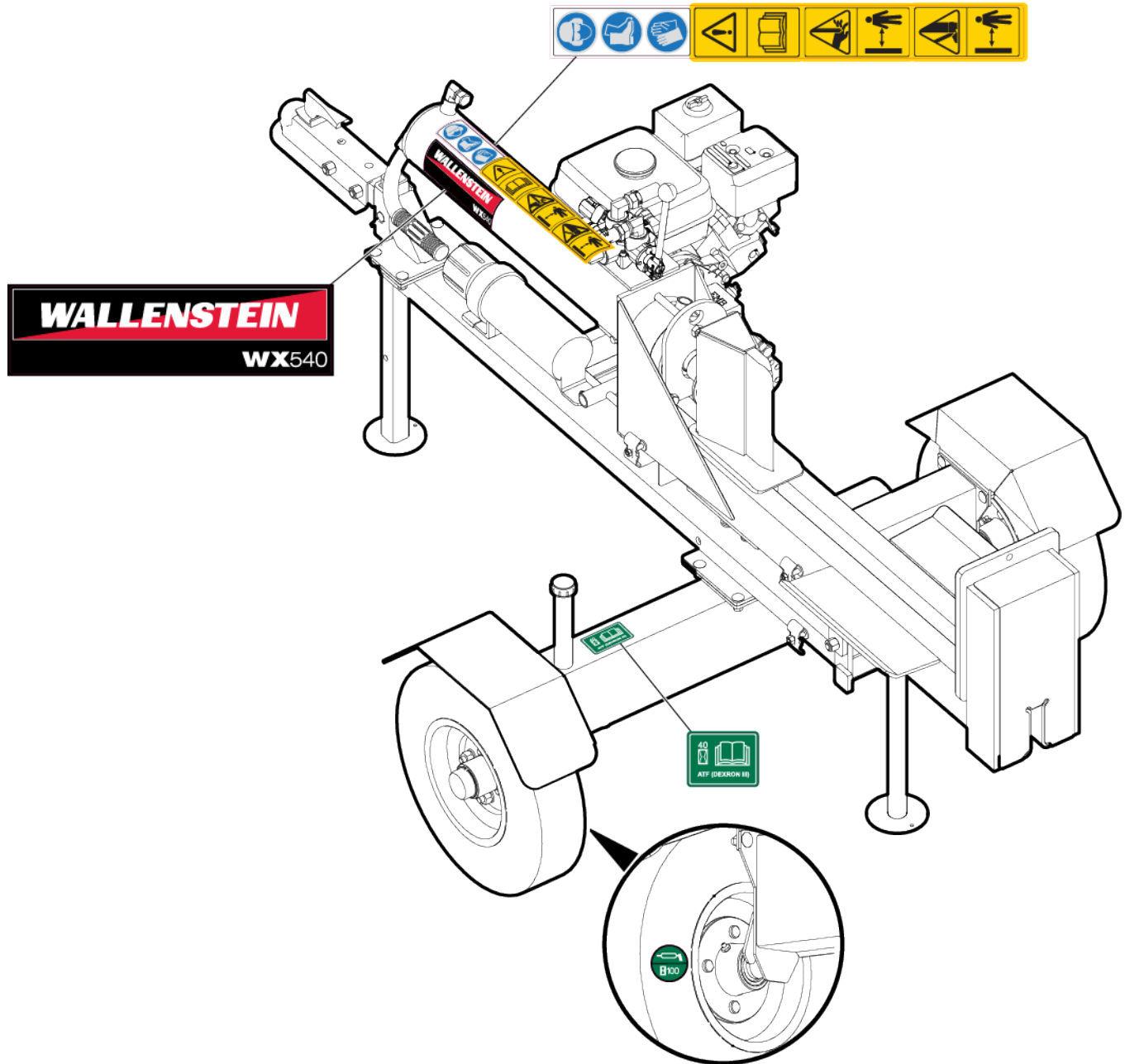


Item	Part number	Description	Quantity
1	2089L351	Light Guard	2
2	Z61106	STTL Lamp, Square LH	1
3	Z61107	STT Lamp, Square RH	1
4	Z72941	Serrated Washer Nut, 1/4NC	4

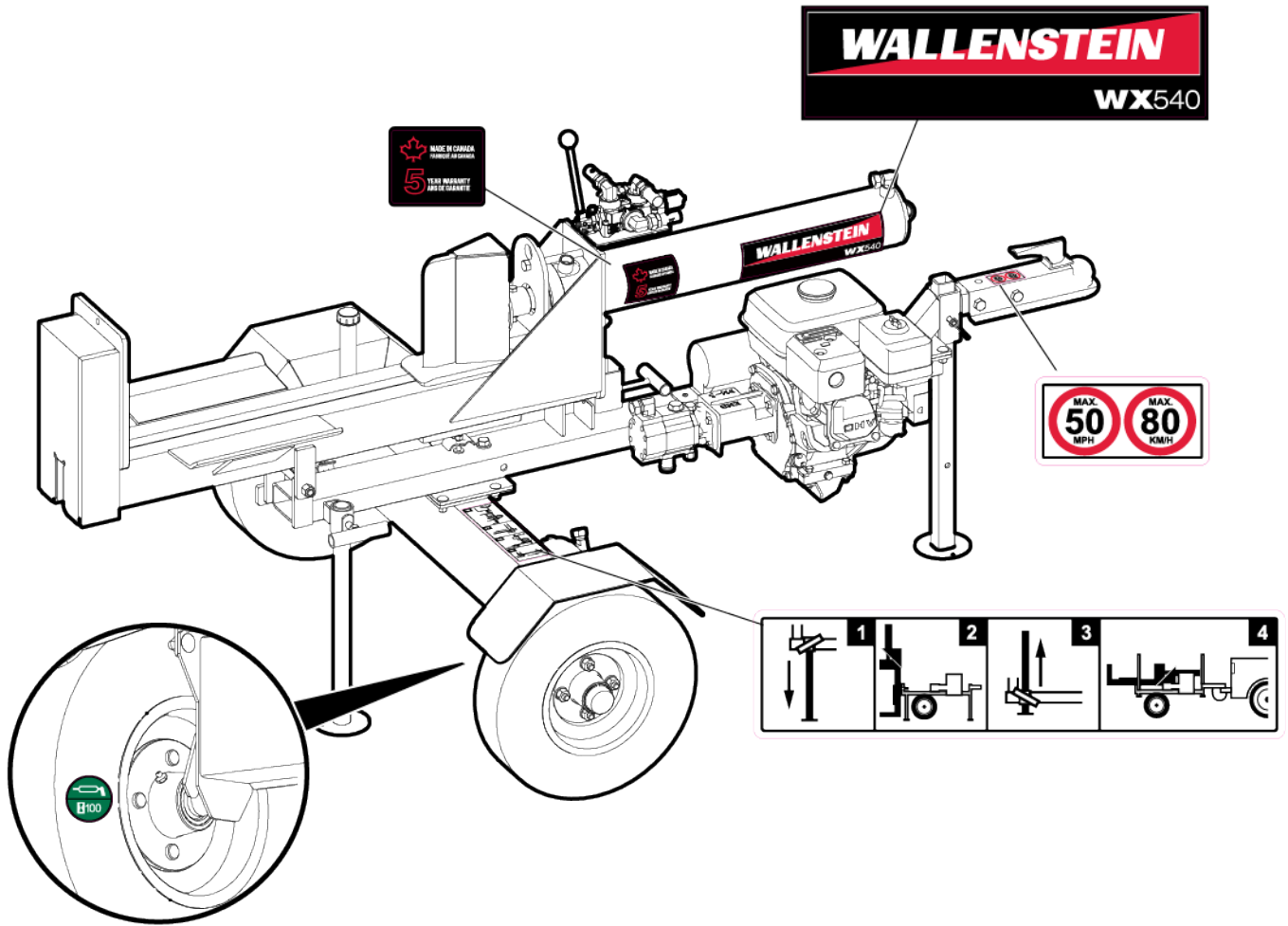
Label Locations

IMPORTANT! If you replace a part that has a safety label on it, you must apply a new safety label. Immediately replace safety labels that are damaged, have been removed, or are illegible.

Contact your local Wallenstein Equipment dealer or distributor to order a safety label kit. Labels are not sold individually.



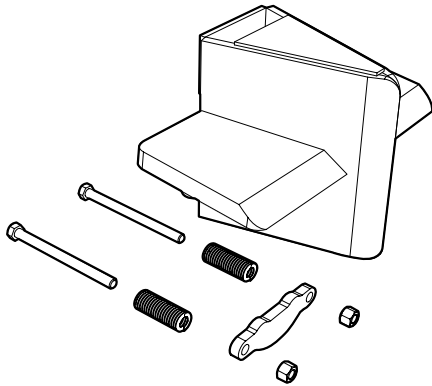
Label Locations



Accessories

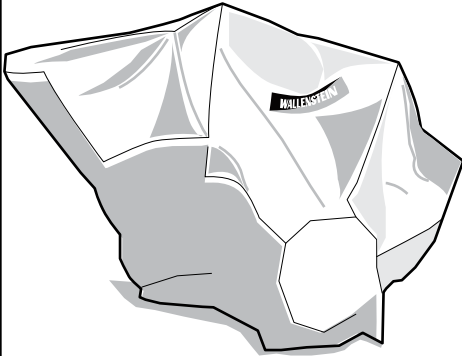
For price and availability, contact your local Wallenstein dealer or distributor.

For accessory installation instructions, go to WallensteinEquipment.com/Support.aspx, and then select **Accessories**.



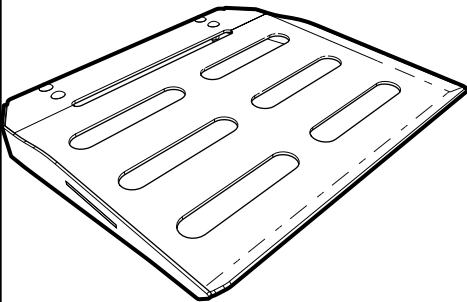
4-Way Wedge W4120

Split logs into four pieces with a single stroke.



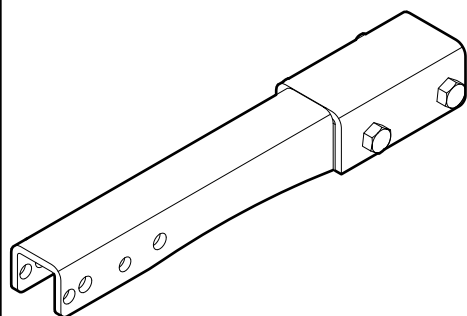
All Weather Splitter Cover W4204

Heavy duty industrial material, made in Canada. Protects your splitter from harsh elements.



Clamp On Shelf W4211

Catch your split logs to quickly and easily split them a second time.



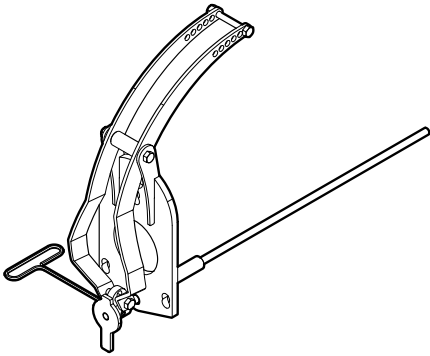
Hitch Extension W4202

12" extension for use with a 2" ball hitch. This accessory is necessary to tow the machine with an all-terrain vehicle (ATV).

Accessories

For price and availability, contact your local Wallenstein dealer or distributor.

For accessory installation instructions, go to WallensteinEquipment.com/Support.aspx, and then select **Accessories**.



Stroke Limiter W4123

Maximize your productivity when you split shorter logs. The stroke limiter stops the cylinder from fully retracting and can reduce your cycle time by almost 50%.

Bolt Torque

IMPORTANT! If you replace hardware, use fasteners of the same grade.

IMPORTANT! The torque specifications in these tables are for non-greased or non-oiled threads. Do not grease or oil fastener threads unless otherwise indicated. When using a thread lock, increase the specified torque 5%.



Bolt grades are identified by the marks on the bolt head.

The bolt torque specification tables provide the correct torque settings for common bolts and capscrews. Tighten all bolts to the torque that is specified in the table, unless otherwise indicated. Check the bolt tightness periodically.

Imperial Bolt Torque Specifications

Bolt Diameter	Torque					
	SAE Gr. 2		SAE Gr. 5		SAE Gr. 8	
	lbf•ft	N•m	lbf•ft	N•m	lbf•ft	N•m
1/4 inch	6	8	9	12	12	17
5/16 inch	10	13	19	25	27	36
3/8 inch	20	27	33	45	45	63
7/16 inch	30	41	53	72	75	100
1/2 inch	45	61	80	110	115	155
9/16 inch	60	95	115	155	165	220
5/8 inch	95	128	160	215	220	305
3/4 inch	165	225	290	390	400	540
7/8 inch	170	230	420	570	650	880



SAE Gr. 2



SAE Gr. 5



SAE Gr. 8

Metric Bolt Torque Specifications

Bolt Diameter	Torque			
	Gr. 8.8		Gr. 10.9	
	lbf•ft	N•m	lbf•ft	N•m
M3	0.4	0.5	1.3	1.8
M4	2.2	3	3.3	4.5
M6	7	10	11	15
M8	18	25	26	35
M10	37	50	52	70
M12	66	90	92	125
M14	83	112	116	158
M16	166	225	229	310
M20	321	435	450	610
M30	1,103	1,495	1,550	2,100



Hydraulic Fitting Torque

Tighten flare-type tube fittings:

1. Check the flare and flare seat for defects that might cause leaks.
2. Align the tube with the fitting before tightening.
3. Hand-tighten the swivel nut until it is snug.
4. To prevent the tube from twisting, use two wrenches. Place one wrench on the connector body and tighten the swivel nut with the second wrench. Torque the fitting to the correct specification.

If a torque wrench is not available, use the flats from finger tight (FFFT) method.

Hydraulic Fitting Torque Specifications					
Tube size OD	Hex size across flats	Torque		Flats from finger tight	
		lbf•ft	N•m	Flats	Turns
3/16	7/16	6	8	2	1/6
1/4	9/16	11–12	15–17	2	1/6
5/16	5/8	14–16	19–22	2	1/6
3/8	11/16	20–22	27–30	1-1/4	1/6
1/2	7/8	44–48	59–65	1	1/6
5/8	1	50–58	68–79	1	1/6
3/4	1-1/4	79–88	107–119	1	1/8
1	1-5/8	117–125	158–170	1	1/8

Specifications are for non-lubricated connections.

Lug Nut Torque



WARNING!

Wheel lug nuts must be installed and kept at the correct torque to prevent loose wheels, broken studs, or possible separation of a wheel from the axle.

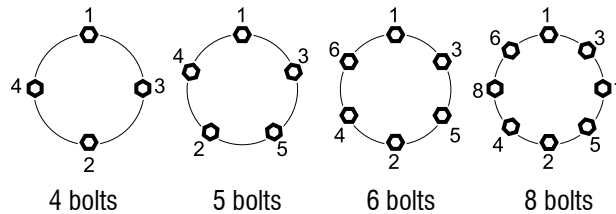
It is an extremely important safety procedure to apply and maintain the correct torque on lug nuts that secure the wheel to the trailer axle. A calibrated torque wrench is the best tool to make sure that the correct amount of torque is applied to a fastener.

Tighten wheel lug nuts to the correct torque before the first use and after each wheel removal. After a wheel is installed, check and torque the lug nuts after the first 10 miles (16 km), 25 miles (40 km), and 50 miles (80 km). Check the lug nut torque periodically thereafter.

- Start all lug nuts onto the threads by hand.
- Tighten lug nuts in stages, following the pattern shown below the Lug Nut Torque Specifications table.

Lug Nut Torque Specifications				
Wheel size	Units	First stage	Second stage	Third stage
8 inch	lbf•ft N•m	12–20 16–26	30–35 39–45.5	45–55 58.5–71.5
12 inch	lbf•ft N•m	20–25 26–32.5	35–40 45.5–52	50–60 65–78
13 inch	lbf•ft N•m	20–25 26–32.5	35–40 45.5–52	50–60 65–78
14 inch	lbf•ft N•m	20–25 26–32.5	50–60 65–78	90–120 117–156
15 inch	lbf•ft N•m	20–25 26–32.5	50–60 65–78	90–120 117–156
16 inch	lbf•ft N•m	20–25 26–32.5	50–60 65–78	90–120 117–156

Lug nut torque pattern:





MAKING WORK FEEL MORE LIKE PLAY™

WallensteinEquipment.com

