



WX640 Trailer Log Splitter Parts Manual

S/N 310001 & After



Foreword

EMB Mfg. has prepared this parts manual to assist customers in ordering quality OEM replacement parts.

Proper and regular service and replacing old, worn or broken parts with the correct Wallenstein parts are essential to prolonging the life of your Wallenstein product. Please refer to this manual before ordering any replacement parts.

All information contained in this parts manual is based on the latest product specification available at the time of printing this manual. If your product differs from the specifications contained within this manual contact EMB Mfg. for information.

EMB reserves the right to alter specifications on their products at any time.

Reproduction of this parts manual of any kind is prohibited without prior written permission from EMB Mfg.

Note: Log splitters with factory installed light kits will have a VIN number included. The last six numbers of this VIN number are the splitters serial number

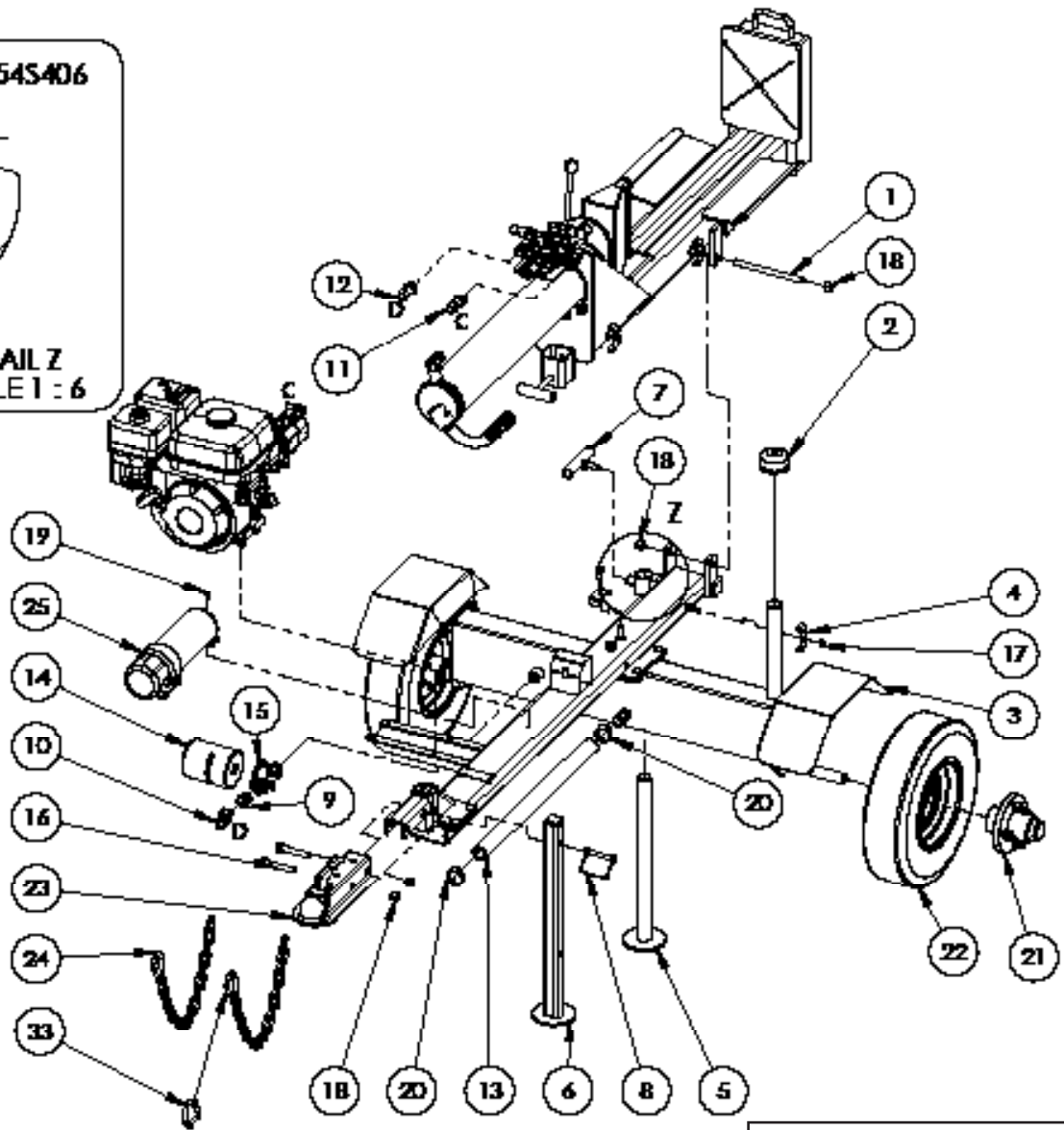
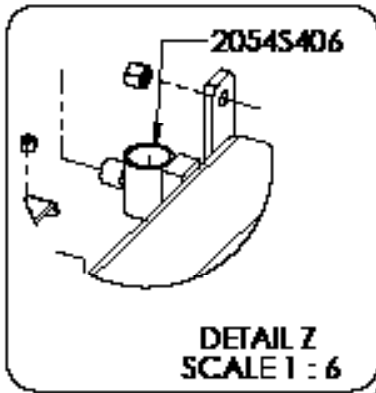
Example: 2E9U51112BSXXXXXX


Serial Number

Table of Contents

Main Parts	4
Cylinder	7
Valve	8
Valve & Fittings	10
Hub	11
Engine & Pump	12
4-Way Wedge (Optional)	13
Light Kit (Optional)	14
Hydraulic Schematic	16
Decal Breakdown	17

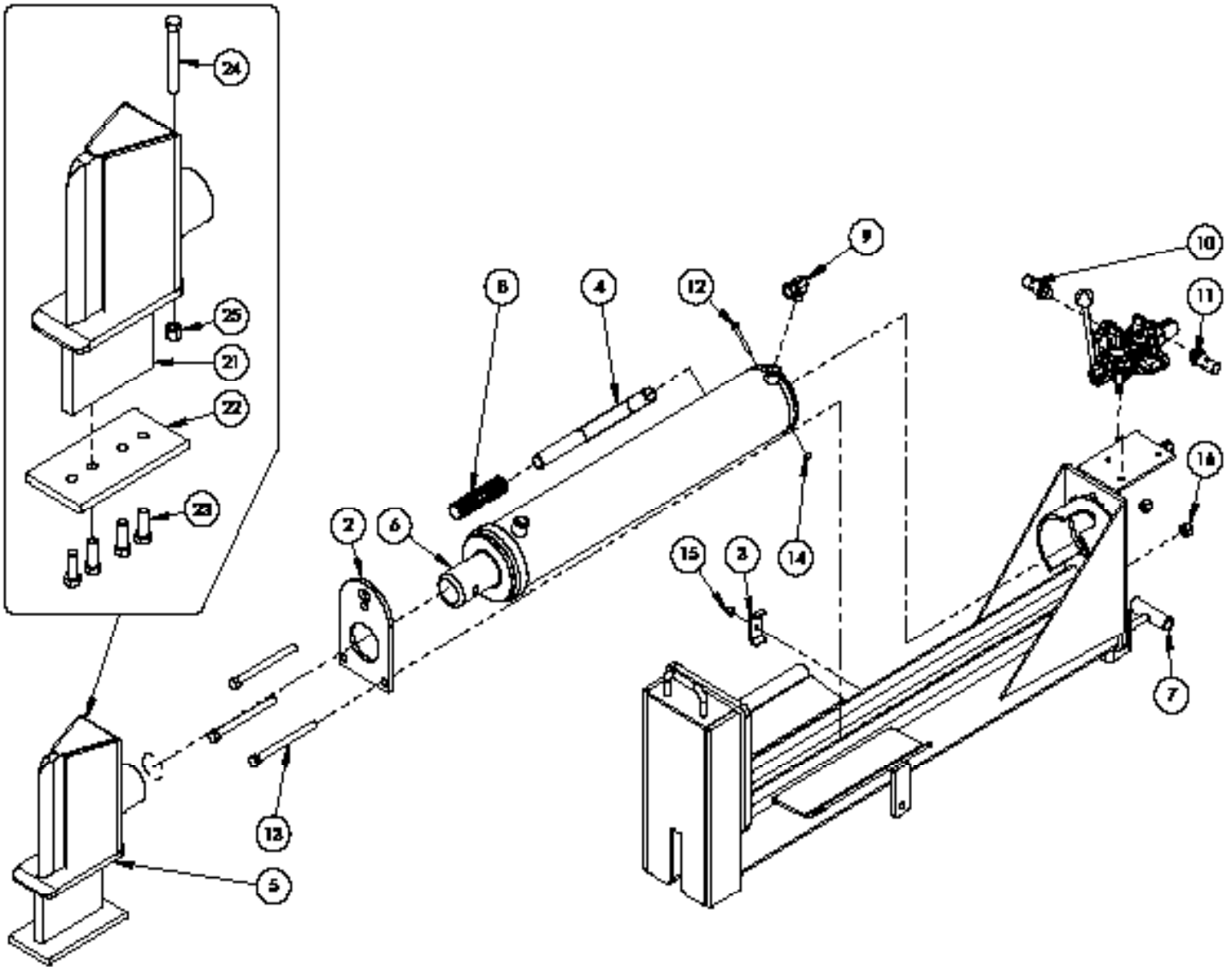
Me



On Models with Hydraulic Tank Drain:
#Z51192 Socket Plug, MP 08

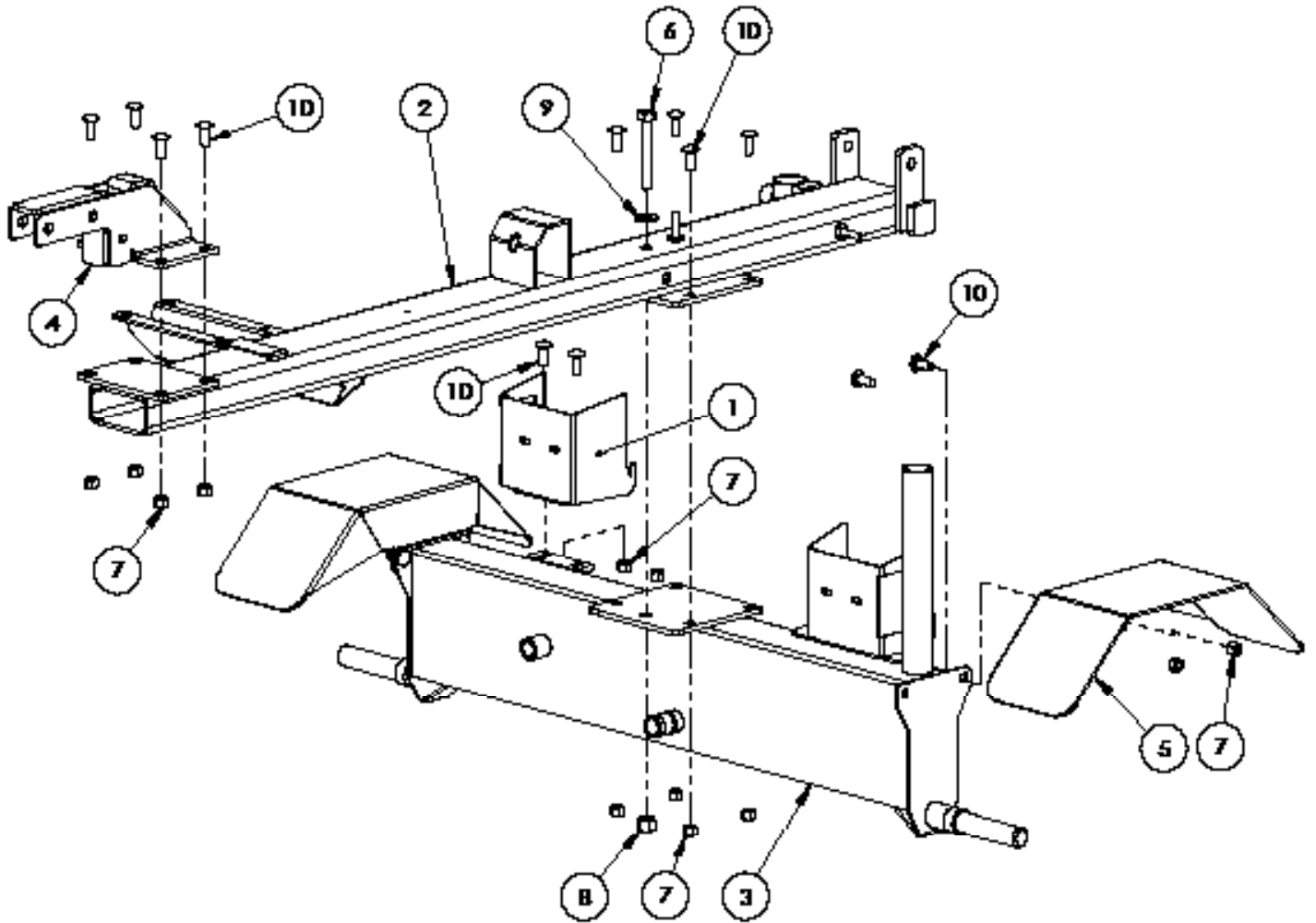
WX640 PARTS BREAKDOWN

ITEM	PART NO.	DESCRIPTION	QTY
1	2016A602	Pin, Pivot Threaded	1
2	2054A402	Breather cap dipstick	1
3	2054A301	Assembly, Main Base	1
4	2054A12	Clamp, Two Hose	2
5	2054W405	Jack Stand, Rear	1
6	2054W406	Jack Stand, Front	1
7	2054W407	Handle, Rear Jack Lock	1
8	212432	Stripper Pin 3/8 x 2-1/2	1
9	251221	Reducer FP x MP 1208	1
10	251231	Elbow 90 MP x FPK 0808	1
11	252209	1/2 Hose, 1/2MPx1/2MPx.75"	1
12	252211	1/2 Hose, 1/2MPx1/2MPx.75"	1
13	252405	Suction Hose, 1" x 22'	1
14	255201	Oil Filter - 3/4 - Particulate	1
15	255202	Filter Cap, 3/4 x 3/4	1
16	271520	Hex Bolt 1/2NC x 3	2
17	272221	Hex Lock Nut 5/16NC	2
18	272251	Hex Lock Nut 1/2NC	4
19	273221	Self-Locking Screw 1/4 x 3/4	1
20	274401	Hose Clamp, 3/16	2
21	291202	Assembly, 1000# 4-Bolt Hub	2
22	291301	4.00-8 UBB Sprocket	2
23	291614	2" Hitch Coupler	1
24	292203	Safety Chain 1/4 x 2'	2
25	294503	Manual Tube 3-1/2 Short	1



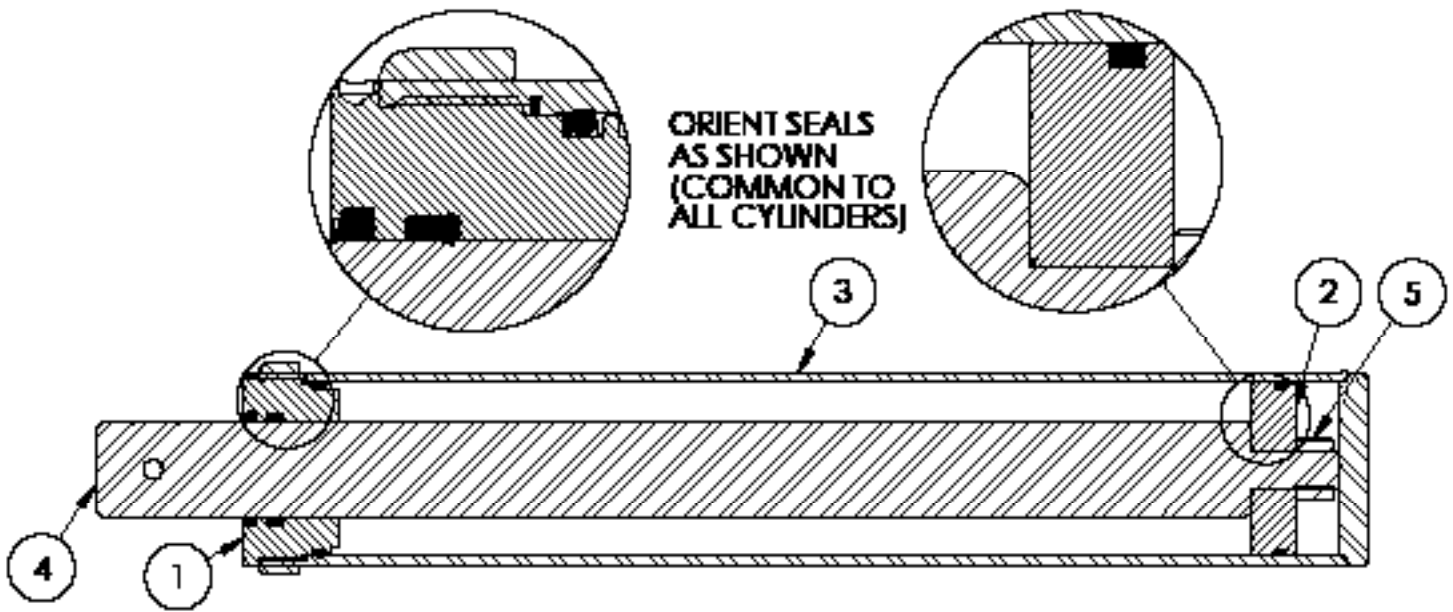
2063A206 PARTS BREAKDOWN

ITEM	PART NO.	DESCRIPTION	QTY
1	2011A103	Assembly, Valve with Fittings	1
2	20228213	Plate, Cylinder Retaining	1
3	205-8L412	Clamp, Two Hose	2
4	20643414	Handle, Lift	1
5	2058A802	Wedge for WX640	1
6	2042C201	Cylinder, 4-1/2 x 24 x 2-1/2	1
7	2063W203	Weldment for WX640	1
8	219321	Grease, 1" x 5"	1
9	251231	Elbow 90 MP x FFX DMSB	1
10	252201	1/2 Hose, MPDB x MPDB x 16"	1
11	252205	1/2 Hose, MPDB x MPDB x 24"	1
12	271120	Hex Bolt 1/4NC x 2	1
13	271540	Hex Bolt 1/2NC x 6	3
14	272111	Hex Lock Nut 1/4NC	1
15	272221	Hex Lock Nut 5/16NC	2
16	272251	Hex Lock Nut 1/2NC	3
ITEM	PART NO.	DESCRIPTION	QTY
21	2058W803	Wedge Weldment for WX650	1
22	201-8L414	Plate, Sliding Wedge Capless	1
23	271578	Hex Bolt 1/2NF x 1-1/2	4
24	271587	Hex Bolt 1/2NC x 3-3/4	1
25	272251	Hex Lock Nut 1/2NC	1



2054A601 PARTS BREAKDOWN

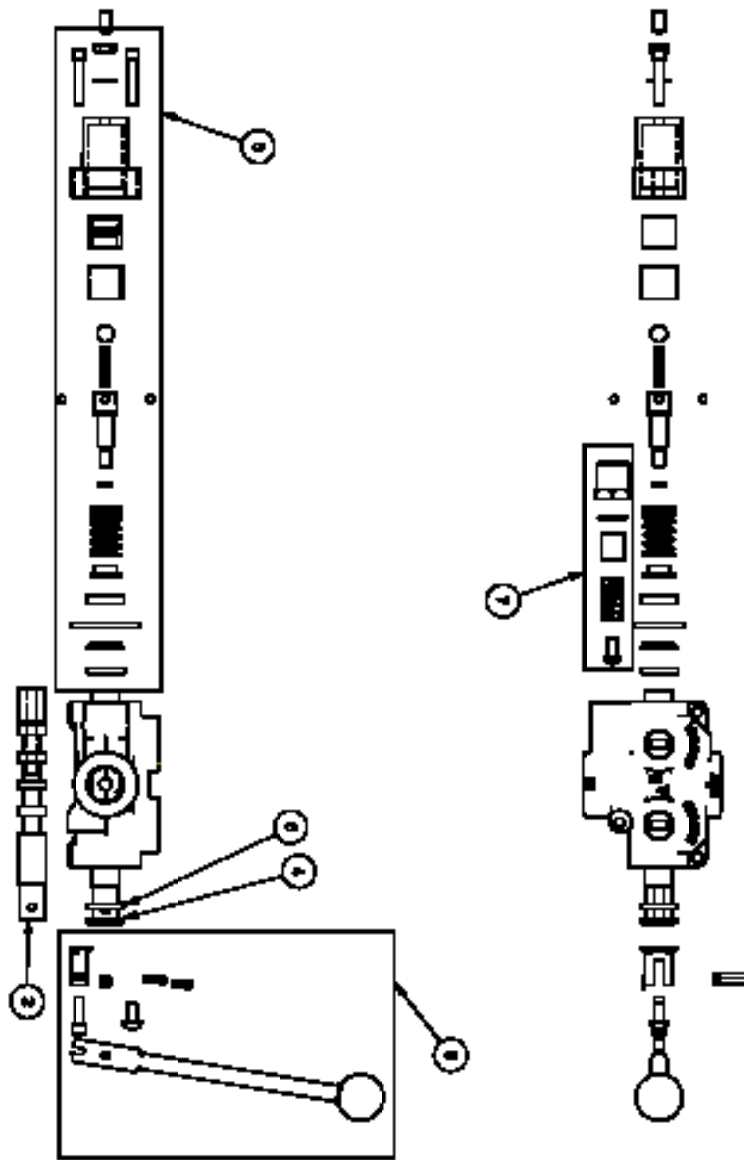
ITEM	PART NO.	Description	QTY.
1	2054L601	Light Bracket, RH	1
2	2054W602	Spine, Trailer	1
3	2054W661	Weldment, Tank - Axle	1
4	2054W604	Weldment, Hitch Mount	1
5	2054W608	Weldment, Fender	2
6	Z71537	Hex Bolt 1/2NC x 3-3/4	1
7	Z72231	Hex Lock Nut 3/8NC	14
8	Z72251	Hex Lock Nut 1/2NC	1
9	Z73151	Flat Washer, 1/2	1
10	Z76231	Carrage Bolt 3/8NC x 1	14



**4-1/2" WOODSPLITTER CYLINDER
PARTS BREAKDOWN**

ITEM	PART NO.	DESCRIPTION	QTY
1	G49D-2506A	4-1/2" Bore x 2-1/2" Rod Gland With Seals	1
2	P10D-4506A	4-1/2" Bore Piston With Seals	1
3	2055C-5014	Body, 4-1/2"	1
4	2055C-5012	Body, 2-1/2" 1	1
5	17292G8	Hex Lock Nut 1NF Grade B	1
6	8LE-4525	Seal Kit, 4-1/2 x 2-1/2	1

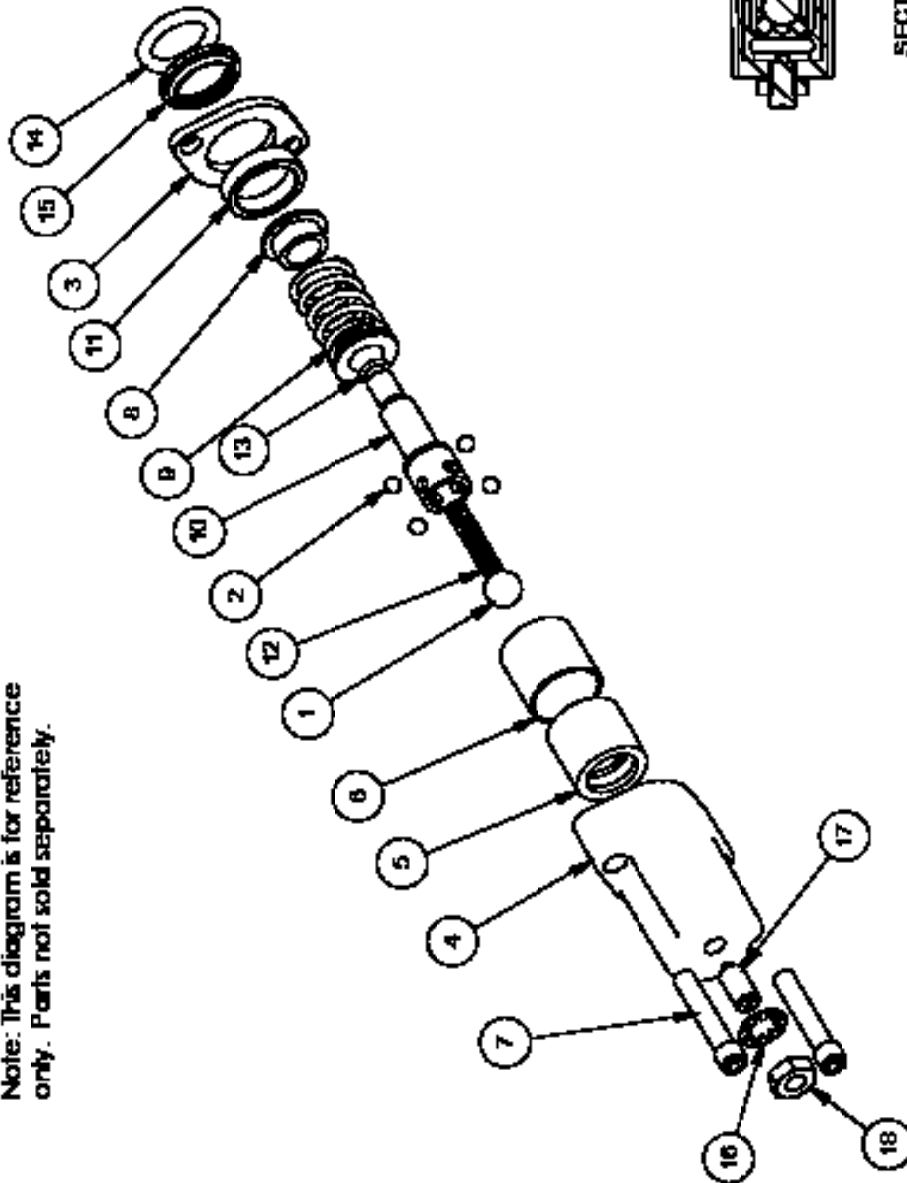
Valve



ITEM NO.	QTY.	PART NO.	DESCRIPTION
1	1	ASSY VALVE	ASSY VALVE
2	1	LEVER	LEVER
3	1	PISTON	PISTON
4	1	SPRING	SPRING
5	1	SPRING	SPRING
6	1	SPRING	SPRING
7	1	SPRING	SPRING
8	1	SPRING	SPRING
9	1	SPRING	SPRING
10	1	SPRING	SPRING
11	1	SPRING	SPRING
12	1	SPRING	SPRING
13	1	SPRING	SPRING
14	1	SPRING	SPRING
15	1	SPRING	SPRING
16	1	SPRING	SPRING
17	1	SPRING	SPRING
18	1	SPRING	SPRING
19	1	SPRING	SPRING
20	1	SPRING	SPRING
21	1	SPRING	SPRING
22	1	SPRING	SPRING
23	1	SPRING	SPRING
24	1	SPRING	SPRING
25	1	SPRING	SPRING
26	1	SPRING	SPRING
27	1	SPRING	SPRING
28	1	SPRING	SPRING
29	1	SPRING	SPRING
30	1	SPRING	SPRING
31	1	SPRING	SPRING
32	1	SPRING	SPRING
33	1	SPRING	SPRING
34	1	SPRING	SPRING
35	1	SPRING	SPRING
36	1	SPRING	SPRING
37	1	SPRING	SPRING
38	1	SPRING	SPRING
39	1	SPRING	SPRING
40	1	SPRING	SPRING
41	1	SPRING	SPRING
42	1	SPRING	SPRING
43	1	SPRING	SPRING
44	1	SPRING	SPRING
45	1	SPRING	SPRING
46	1	SPRING	SPRING
47	1	SPRING	SPRING
48	1	SPRING	SPRING
49	1	SPRING	SPRING
50	1	SPRING	SPRING
51	1	SPRING	SPRING
52	1	SPRING	SPRING
53	1	SPRING	SPRING
54	1	SPRING	SPRING
55	1	SPRING	SPRING
56	1	SPRING	SPRING
57	1	SPRING	SPRING
58	1	SPRING	SPRING
59	1	SPRING	SPRING
60	1	SPRING	SPRING
61	1	SPRING	SPRING
62	1	SPRING	SPRING
63	1	SPRING	SPRING
64	1	SPRING	SPRING
65	1	SPRING	SPRING
66	1	SPRING	SPRING
67	1	SPRING	SPRING
68	1	SPRING	SPRING
69	1	SPRING	SPRING
70	1	SPRING	SPRING
71	1	SPRING	SPRING
72	1	SPRING	SPRING
73	1	SPRING	SPRING
74	1	SPRING	SPRING
75	1	SPRING	SPRING
76	1	SPRING	SPRING
77	1	SPRING	SPRING
78	1	SPRING	SPRING
79	1	SPRING	SPRING
80	1	SPRING	SPRING
81	1	SPRING	SPRING
82	1	SPRING	SPRING
83	1	SPRING	SPRING
84	1	SPRING	SPRING
85	1	SPRING	SPRING
86	1	SPRING	SPRING
87	1	SPRING	SPRING
88	1	SPRING	SPRING
89	1	SPRING	SPRING
90	1	SPRING	SPRING
91	1	SPRING	SPRING
92	1	SPRING	SPRING
93	1	SPRING	SPRING
94	1	SPRING	SPRING
95	1	SPRING	SPRING
96	1	SPRING	SPRING
97	1	SPRING	SPRING
98	1	SPRING	SPRING
99	1	SPRING	SPRING
100	1	SPRING	SPRING

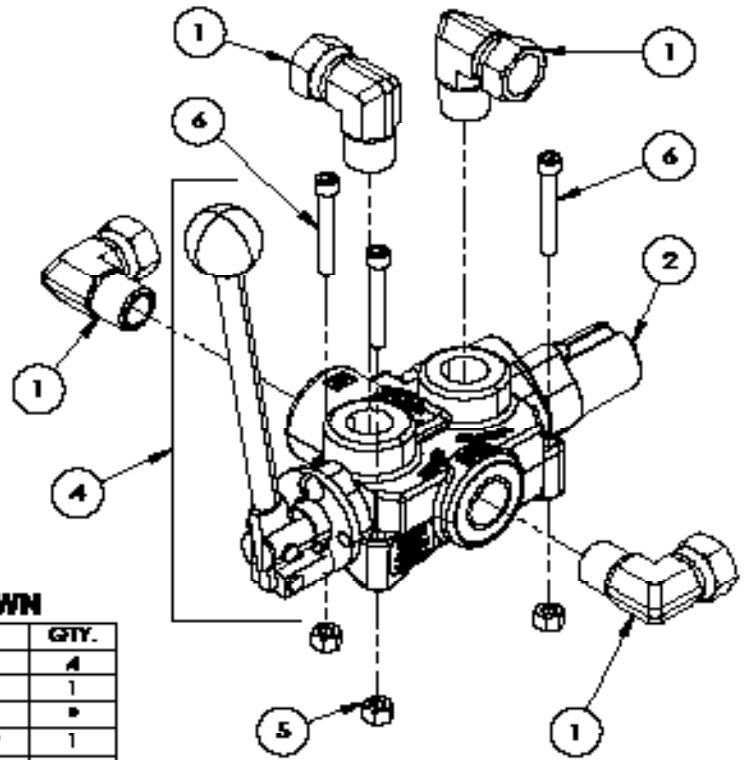
ITEM NO.	QTY.	PART NO.	DESCRIPTION
1	1	B5067	7/16 BALL
2	4	DC7804	3/16 BALL
3	1	SF308	RETAINER
4	1	SF477L	SH L.S END CAP
5	1	SF480	SD SLEEVE
6	1	SF483	SPACER
7	2	SF488	ALLEN SCREW
8	2	SF498	CENTER STOP
9	1	SF490	CENTERING SPRING
10	1	SF492	HOUSING
11	1	SF315	SPACER
12	1	LS305	DETENT SPRING
13	1	DC7583	O-RING 3-002
14	1	SF488	METRIC O-RING
15	1	LS306	L.S WIFER
16	1	SF502	5/16 LOCK WASHER
17	1	SF503	SPRING FLINGER
18	1	SF504	5/16 HEX JAM NUT

Note: This diagram is for reference only. Parts not sold separately.



SECTION A-A

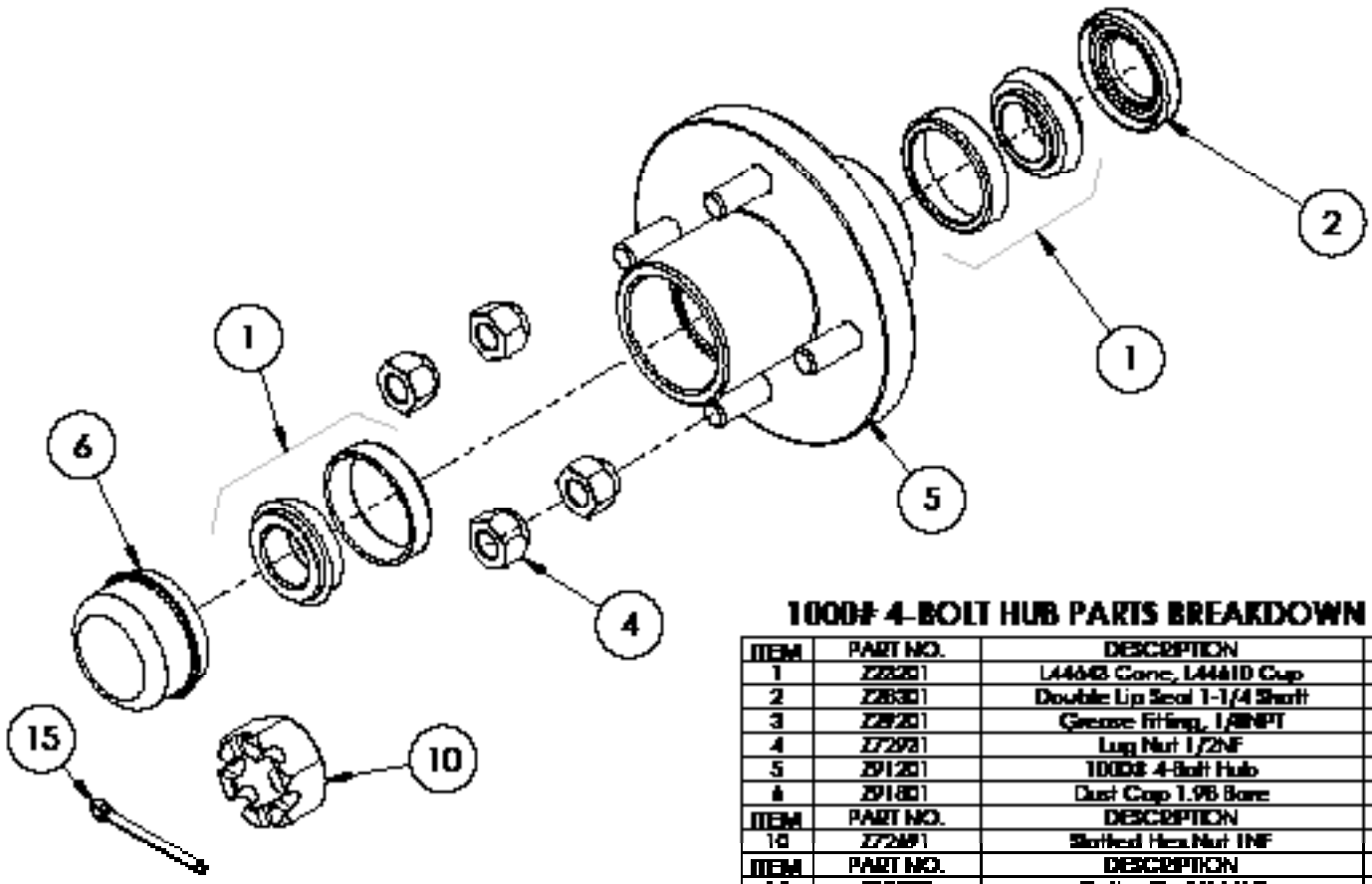
V



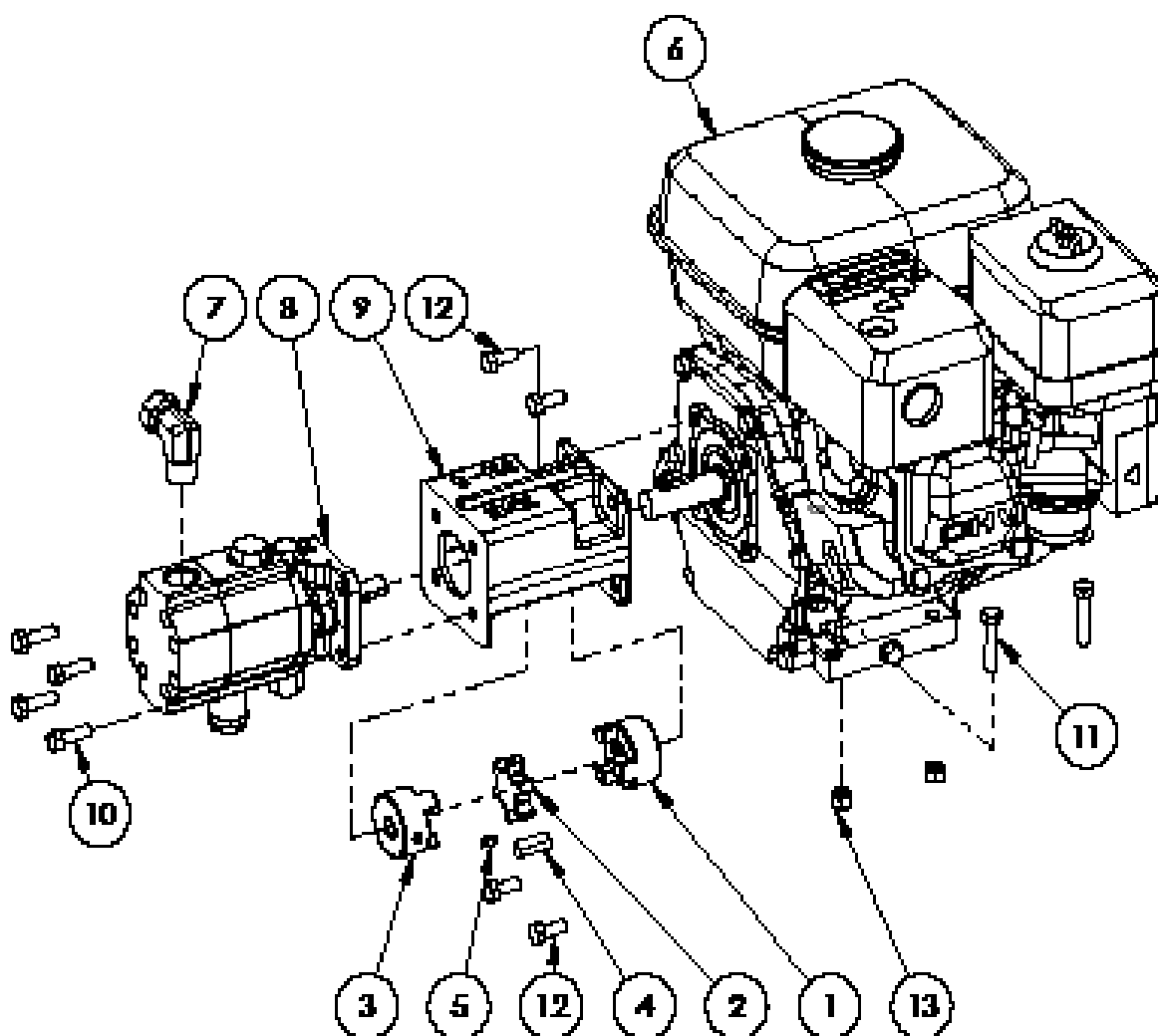
VALVE AND FITTINGS PARTS BREAKDOWN

ITEM	PART NO.	Description	QTY.
1	Z51331	Elbow 90 MP x FPIE OBOB	4
2	Z56209	Valve, Single Function Detent	1
3	*Z56210*	Valve, Closed Center	*
4	Z56915	Complete Handle Kit for Z56209	1
5	Z72111	Hex Lock Nut 1/4NC	3
6	Z75114	SHCS, 1/4NC x 1-3/4	3

CLOSED CENTER VALVE REQUIRED FOR "C" MODELS.



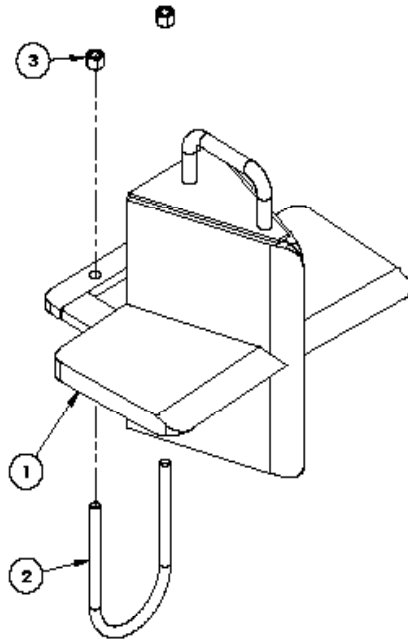
Engine & Pump



2063A106 PARTS BREAKDOWN

ITEM	PART NO.	DESCRIPTION	QTY
1	Z44408	Shaft Coupler 1075 x 3/4	1
2	Z44408	Coupler Spider 1075	1
3	Z44410	Shaft Coupler 1075 x 1/2	1
4	Z44542	Key 5/16 x 5/16 x 1	1
5	Z44592	Woodruff Key, 1/8 x 1/2	1
6	Z47131	Honda GX600 Engine	1
7	Z51331	Elbow 90 MP x RPM D80H	1
8	Z53204	Pump, 11gpm Two-Stage	1
9	Z53801	Pump Mounting, PMS	1
10	Z71207	Hex Bolt 5/16NC x 3/4	4
11	Z71215	Hex Bolt, 5/16NC x 1-1/2	4
12	Z71273	Hex Bolt, 5/16NF x 3/4	4
13	Z72221	Hex Lock Nut 5/16NC	4

4-Way Wedge (Optional)



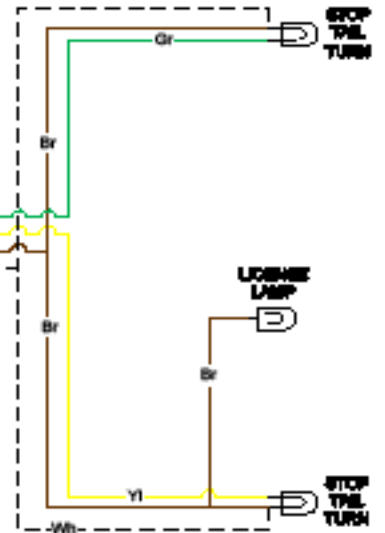
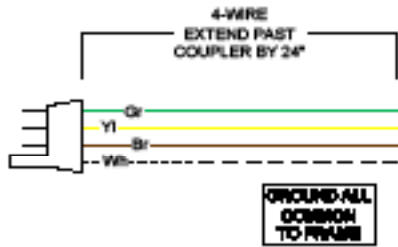
W4130 4-Way Wedge (Optional)

ITEM	PART NO.	DESCRIPTION	QTY
1	20329201	Weldment, Main 4-Way	1
2	20326207	U-Bolt, 3 x 4	1
3	272201	Hex Lock Nut 3/8NC	2

WX TRAILER SPLITTER WIRING

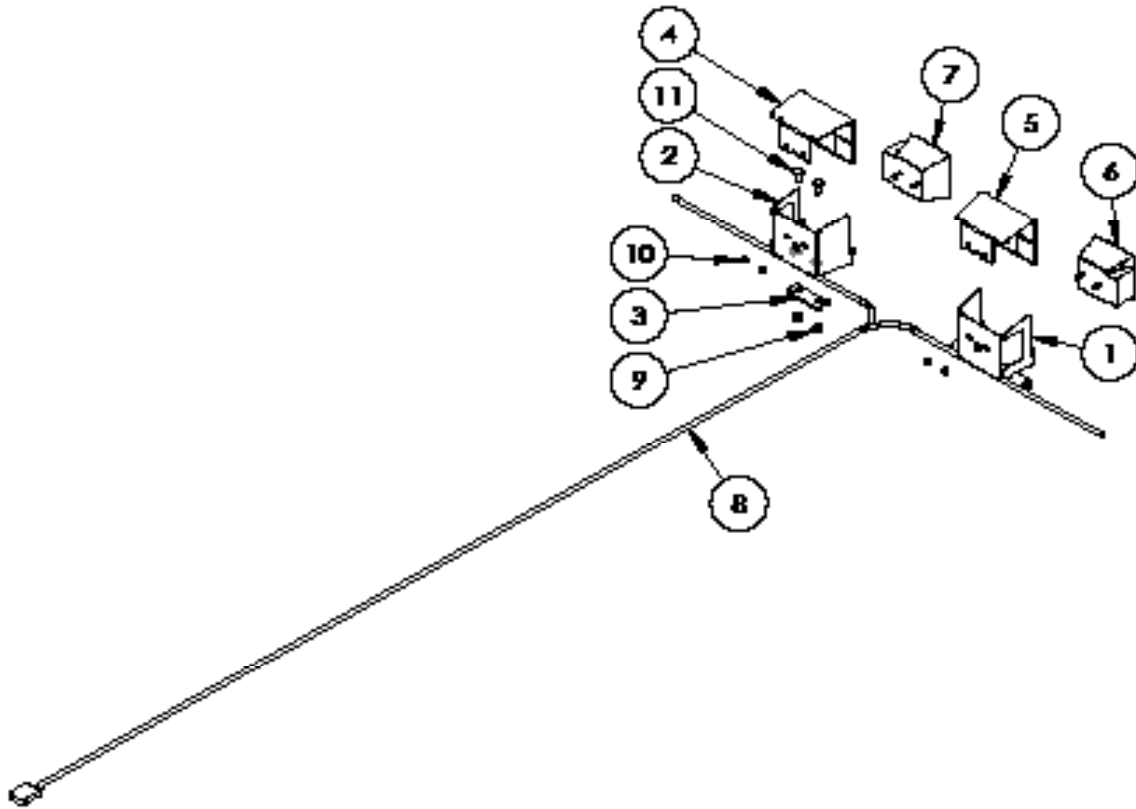
KEY:
Bl - BLUE
Br - BROWN
Gr - GREEN
Rd - RED
Yl - YELLOW
Blk - BLACK
Wh - WHITE

RIGHT SIDE



LEFT SIDE

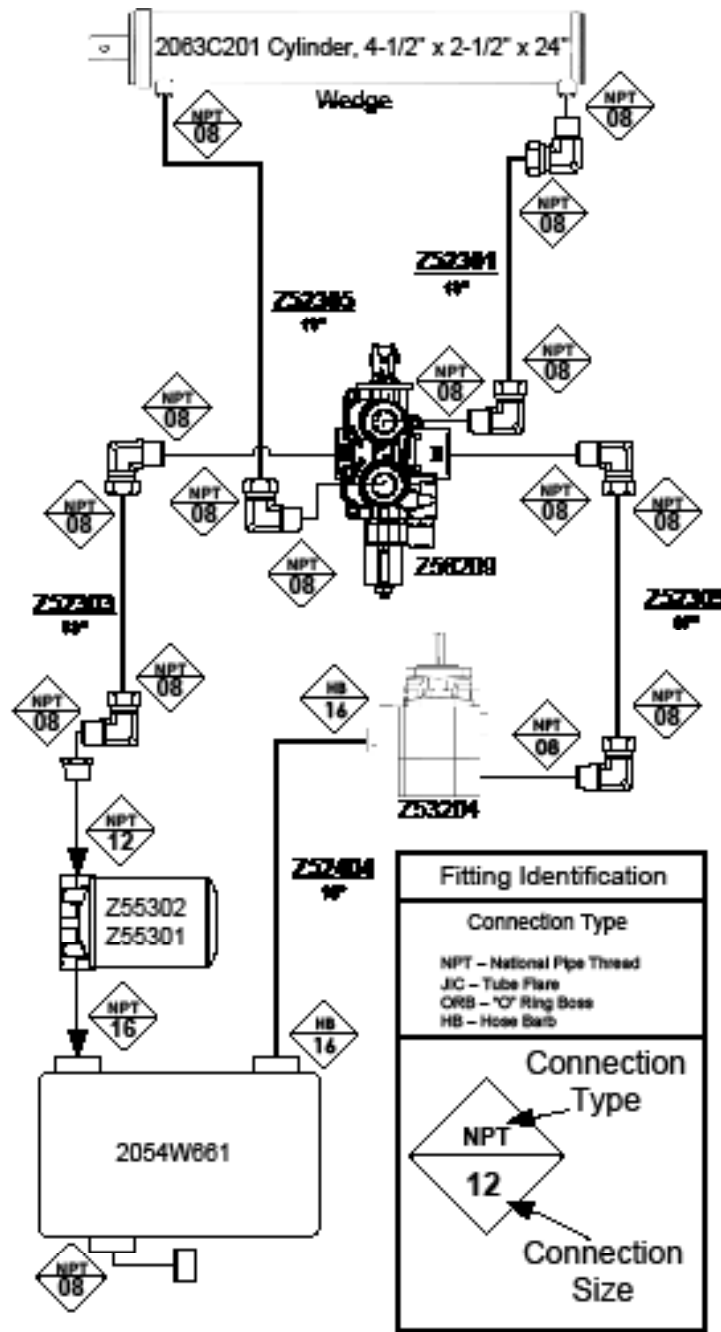
Light Kit (Optional)



2089A350 LIGHT KIT (Optional)

ITEM	PART NO.	DESCRIPTION	QTY
1	2054L402	Light Bracket, LH	1
2	2054L601	Light Bracket, RH	1
3	2054L622	Bracket, Light Base	1
4	2054W403	Light Guard, RH	1
5	2054W404	Light Guard, LH	1
6	261106	Stop, Turn, Tail Light LH	1
7	261107	Stop, Turn, Tail Light RH	1
8	262105	110" Washburne Trailer Harness	1
9	272231	Hex Lock Nut 3/8NC	2
10	272941	Sealed Washer Nut 1/4NC	4
11	276231	Carriage Bolt 3/8NC x 1	2

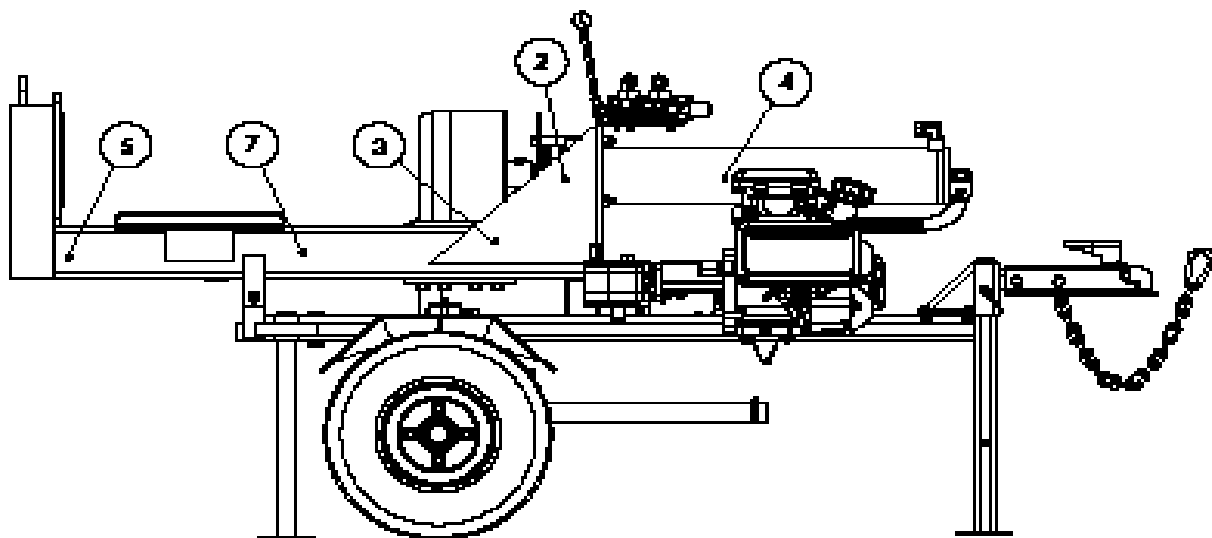
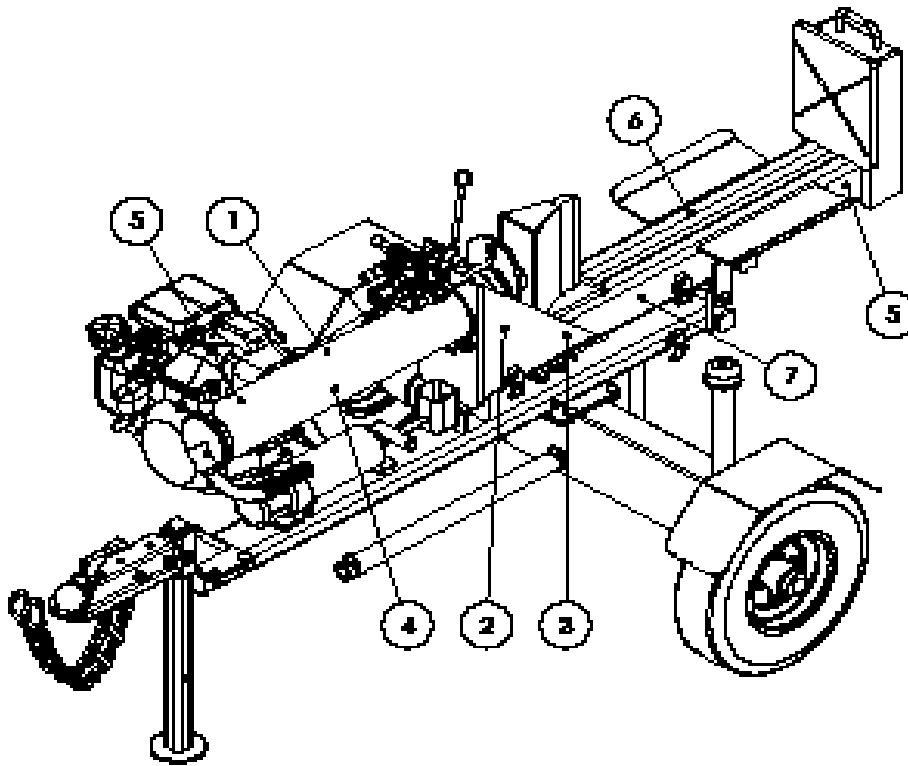
Hydraulic Schematic



Decal Br

HORIZONTAL-VERTICAL LOG SPLITTER DECAL BREAKDOWN

ITEM	PART NO.	DESCRIPTION	QTY
1	ZP4039	CAUTION - Read Manual	1
2	ZP4040	WARNING - Moving Wedge	2
3	ZP4067	Clear Guide	2
4	ZP4058	Wallenstein	2
5	ZP4019	Made in Canada	3
6	ZP4068	Apply Oil or Grease	1
7	ZP4045	WARNING - Lock Stabilizer	2



Horizontal-Vertical Log Splitter Decals

Z94056



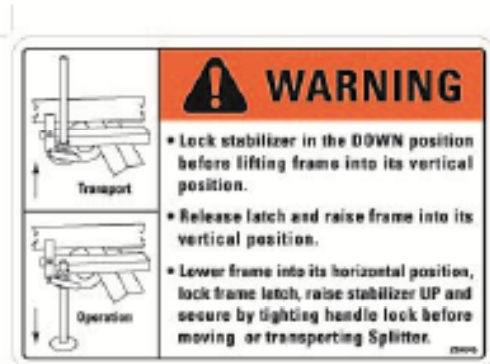
Z94067



Z94066



Z94045



Z94019



Z94040

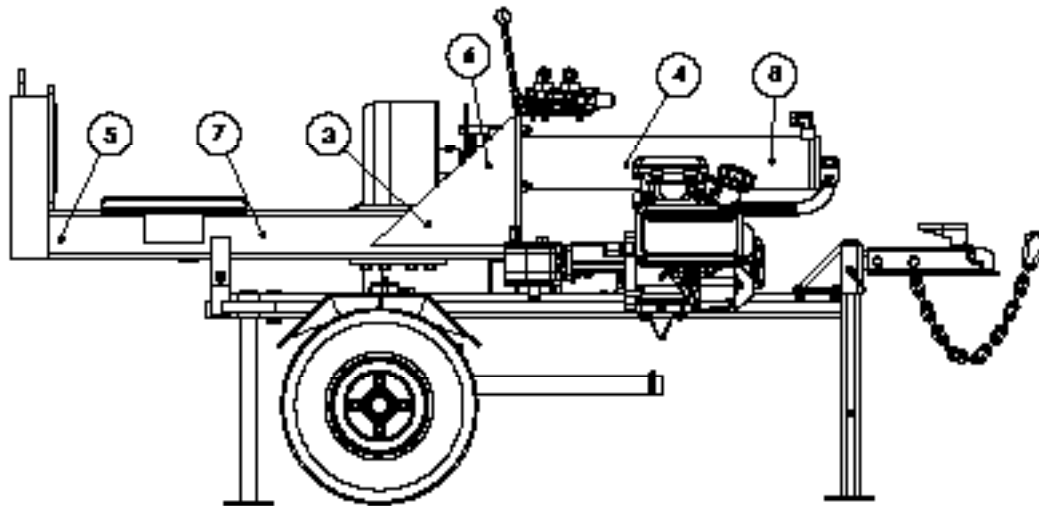
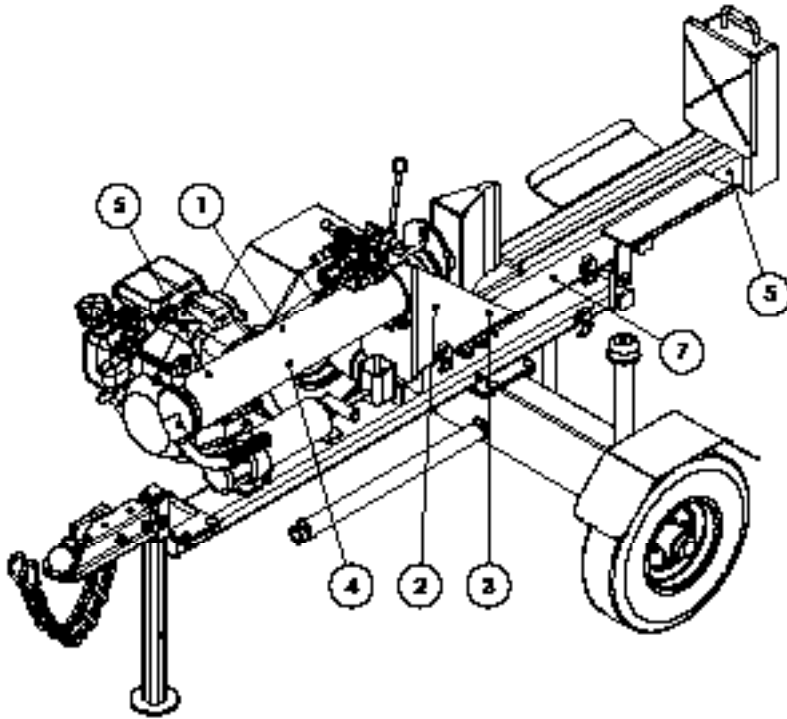


Z94039



TWO PANEL HORIZONTAL-VERTICAL LOG SPLITTER DECAL BREAKDOWN

ITEM	PART NO.	DESCRIPTION	QTY
1	Z94119	CAUTION - Read Manual	1
2	Z94123	Keep Feet Clear	1
3	Z94067	Clear Guide	2
4	Z94056	Wallenstein	2
5	Z94019	Made in Canada	3
6	Z94124	Keep Hands Clear	1
7	Z94147	WARNING - Lock Stabilizer	2
8	Z94142	99 dB Sound Level	1



Two Panel Horizontal-Vertical Trailer Splitter Decals

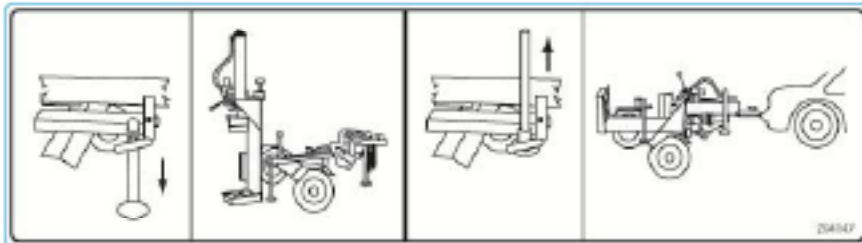
Z94D67



Z94142



Z94147



Z94D19



Z94056



Z94119



Z94123



Z94124





WALLENSTEIN Products Manufactured by:

EMB MFG Inc.
4144 Boomer Line
St. Clements, Ontario
Canada N0B 2M0
Phone: 1-877-695-9283
Fax: 519-699-4146
www.embmfg.com