



BXH42 Skidsteer Mounted Chipper Parts Manual

S/N A0881030 & After



Foreword

EMB Mfg. has prepared this parts manual to assist customers in ordering quality OEM replacement parts.

Proper and regular service and replacing old, worn or broken parts with the correct OEM parts are essential to prolonging the life of your EMB product. Please refer to this manual before ordering any replacement parts.

All information contained in this parts manual is based on the latest product specification available at the time of printing this manual. If your product differs from the specifications contained within this manual contact EMB Mfg. for information.

EMB reserves the right to alter specifications on their products at any time.

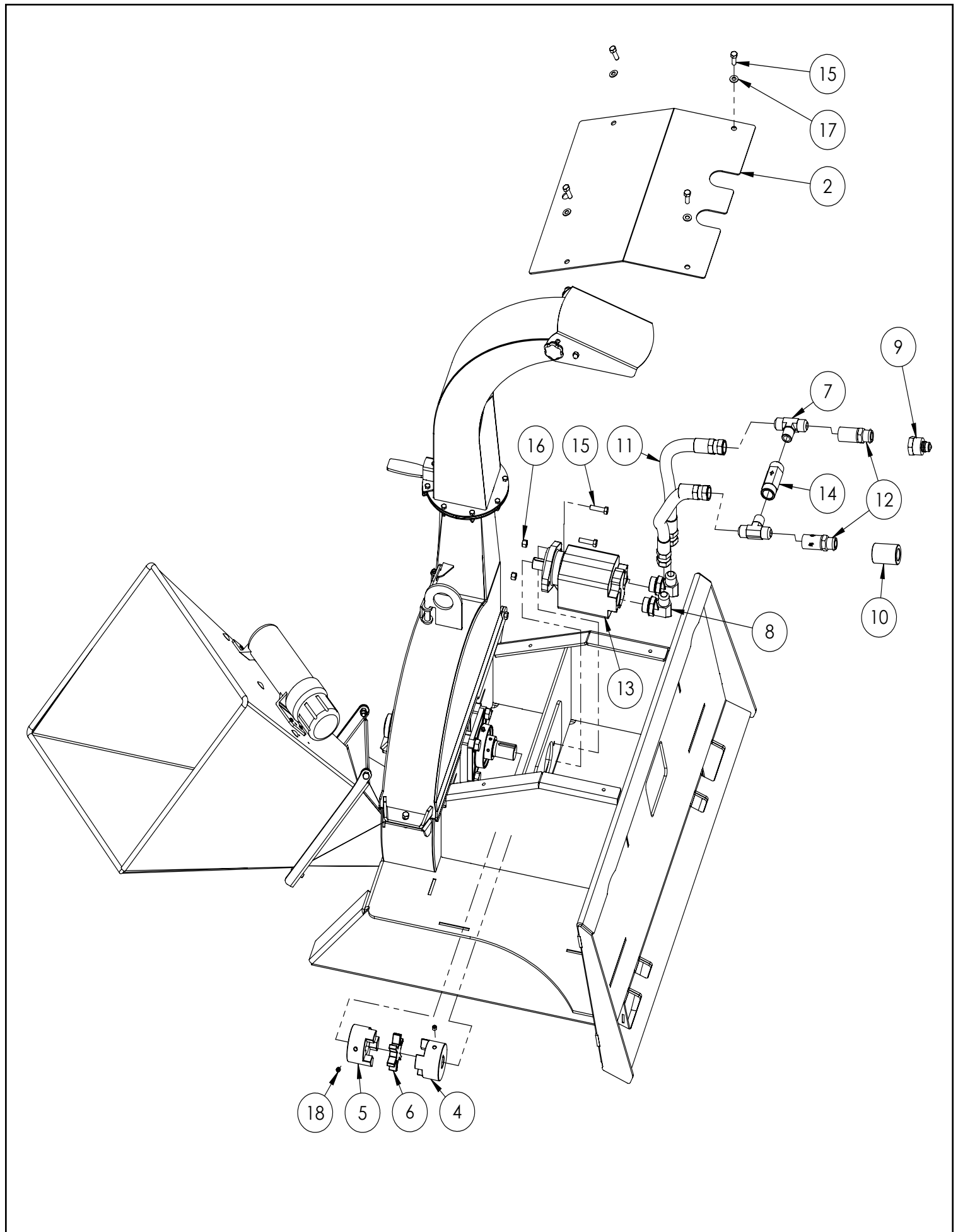
Reproduction of this parts manual of any kind is prohibited without prior written permission from EMB Mfg.

Table of Contents

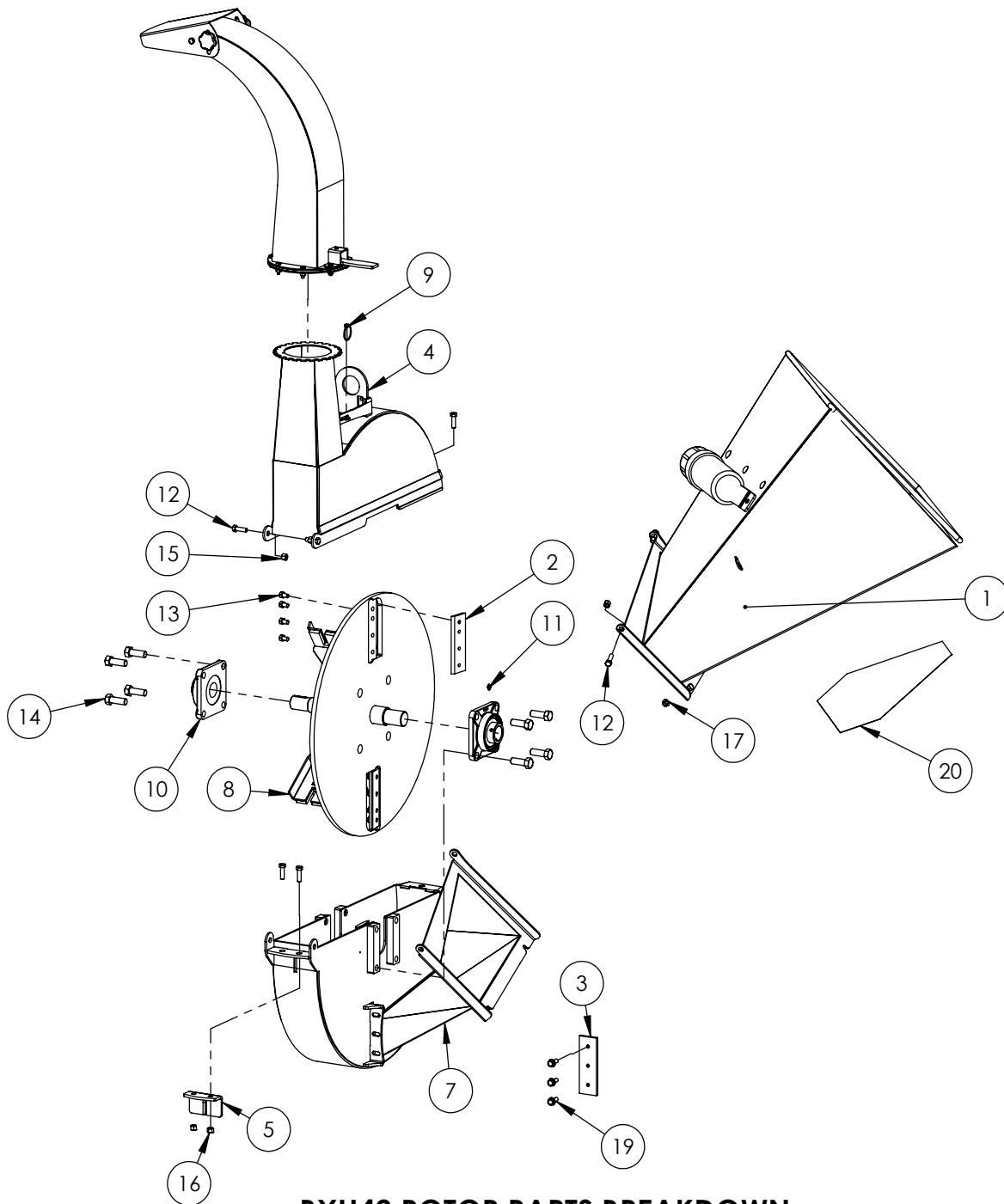
Main Parts	4
Rotor	7
Discharge Chute	8
Hopper	9
Decals	10

BXH42 PARTS BREAKDOWN

ITEM	BXH42	DESCRIPTION	QTY.
1	1031A100	BX42 Housing and Rotor Assembly	1
2	1031L110	Guard, Top	1
3	1031W101	Main Frame	1
4	Z46401	"G" Hub x 1	1
5	Z46402	"G" Hub x 1-3/8	1
6	Z46403	"G" Spider	1
7	Z51481	Tee, MJIC x MJIC x MP 121212	2
8	Z51652	Elbow 90, MORB x MJIC 1612	2
9	Z51906	3/4MP x Male Flat-Face Coupler	1
10	Z51907	3/4NPT x Fem Flat-Face Coupler	1
11	Z52401	3/4 Hose, 3/4FJIC x 3/4NPT x 24"	2
12	Z52402	3/4 Hose #12FJICX x 3/4MP x 42"	2
13	Z54101	Central Hydraulic Motor	1
14	Z56101	Check Valve 3/4FNPT 5 PSI	1
15	Z71315	Hex Bolt 3/8NC x 1-1/2	6
16	Z72231	Hex Lock Nut 3/8NC	2
17	Z73130	Flat Washer 3/8	4
18	Z74130	Set Screw 3/8NC	2

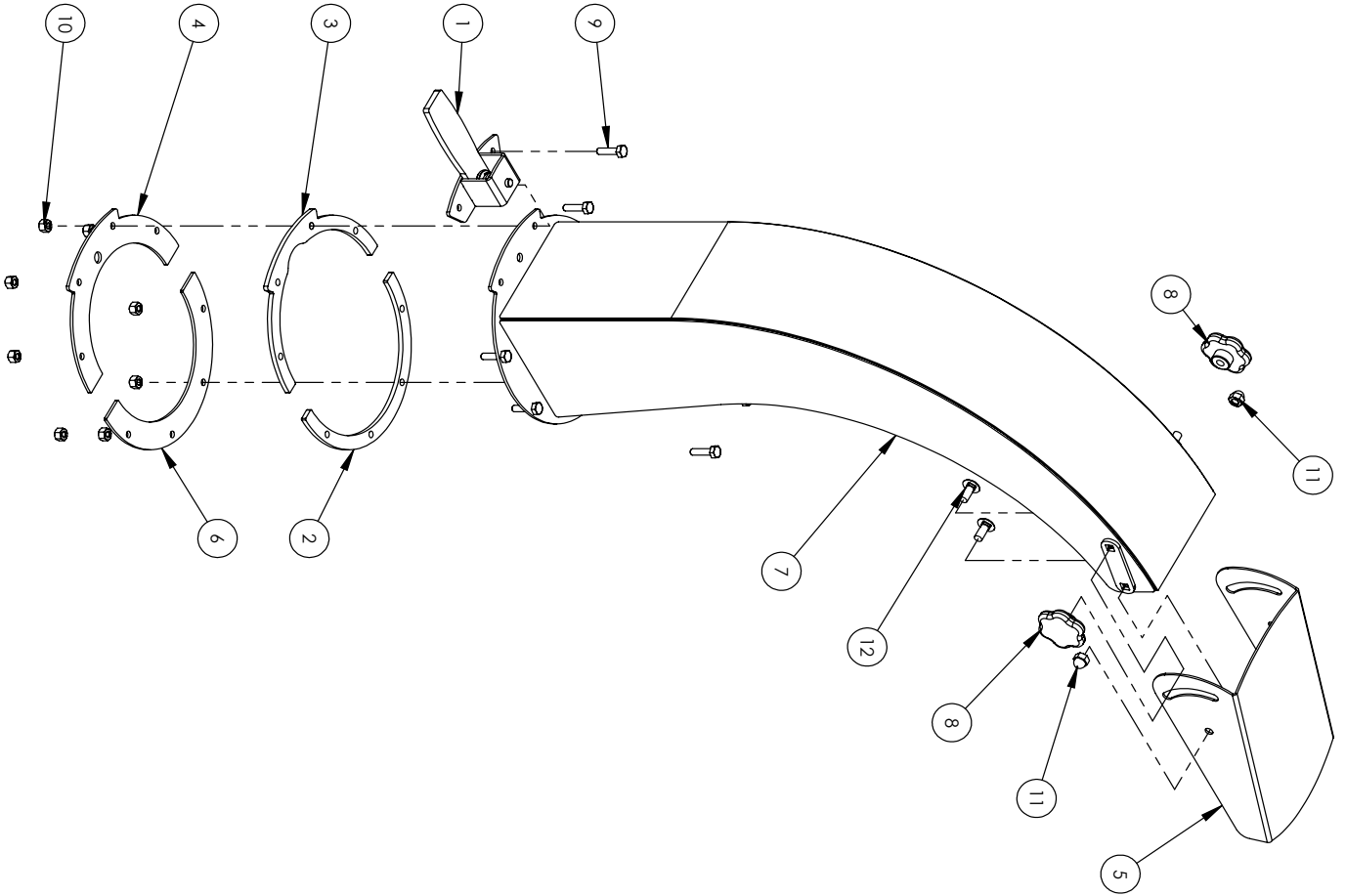


This Page is Intentionally Blank



BXH42 ROTOR PARTS BREAKDOWN

ITEM	PART NO.	DESCRIPTION	QTY
1	1011A102	Self-Feed Hopper	1
2	1011M103	Knife, 4" Rotor	2
3	1011M104	Knife, 4" Ledger	1
4	1011W102	Housing, Upper Rotor	1
5	1011W104	Twig Breaker	1
7	1031W102	Housing, Bottom Rotor	1
8	1031W393	BXH42 Rotor, 2-Knife	1
9	Z12110	Latch Pin 3/16	1
10	Z25204	4-Bolt Bearing 1-1/2" Bore	2
11	Z29202	Grease Zerk 1/4NF	2
12	Z71312	Hex Bolt 3/8NC x 1-1/4	7
13	Z71372G8	Hex Bolt, 3/8NF x 5/8 Gr8	8
14	Z71672G8	Hex Bolt, 5/8NF x 1-3/4 Gr8	8
15	Z72231	Hex Lock Nut 3/8NC	5
16	Z72231	Hex Lock Nut 3/8NC	1
17	Z72531	Flange Nut 3/8NC	2
18	Z74122	Set Screw, 5/16NF	4
19	Z76132	Flange Head Bolt 3/8NF x 1 Gr8	3
20	Z94601	Decal, SMV	1

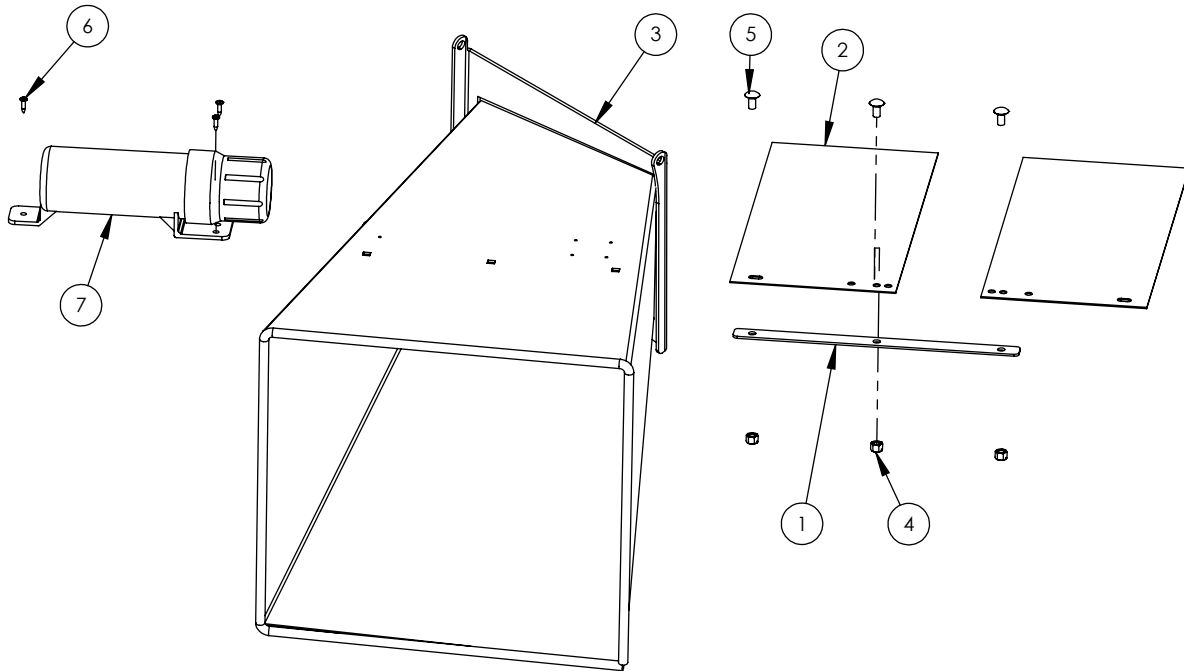


**1016A005 DISCHARGE CHUTE
PARTS BREAKDOWN**

ITEM	PART NO.	DESCRIPTION	QTY
1	1012W208	Assembly, Hood Latch	1
2	1016L027	Plate, Spacer Ring	1
3	1016L029	Plate, Spacer Ring	1
4	1016L030	Plate, Hood Capture	1
5	1016L033	Deflector, Discharge Chute	1
6	1016L034	Plate, Hood Capture	1
7	1016W007	Discharge Chute	1
8	Z19313	Knob, 5/16NC Female Stud	2
9	Z71110	Hex Bolt 1/4NC x 1	8
10	Z72111	Hex Lock Nut 1/4NC	8
11	Z72914	Acorn Nut, 5/16NC	2
12	Z76221	Carriage Bolt 5/16NC x 3/4	4

HOPPER PARTS BREAKDOWN

ITEM	PART NO.	DESCRIPTION	QTY
1	1011L151	Strap, Hopper Flap	1
2	1011S103	Flap, Hopper	2
3	1011W107	Weldment, Infeed Hopper	1
4	Z72231	Hex Lock Nut 3/8NC	3
5	Z76233	Carriage Bolt 3/8NC x 3/4	3
6	Z76712	Self-tapping Screw #10	3
7	Z96503	Manual Tube 3-1/2 Short	1



Decals BXH42

Z94056



Z94007

DANGER

ROTATING CUTTING BLADES

Keep hands and feet out of inlet and discharge openings while machine is operating to avoid serious personal injury. Stop engine, remove spark plug wire and allow machine to come to a complete stop before clearing obstructions or making adjustments.

ROTATING CUTTING BLADES

Z94007

Z94006

CAUTION

- Read and understand operator's manual before starting. Review safety instructions annually.
- Turn machine off, stop and disable engine, remove ignition key and place in your pocket, set park brake and wait for all moving parts to stop before adjusting, servicing, maintaining, repairing or unplugging.
- Keep the working area clean and free of debris to prevent slipping or tripping. Operate only on level ground.
- Close and secure rotor cover before operating.
- Close and secure all guards, deflectors and shields before starting and operating.
- Keep hydraulic lines and fittings tight, in good condition and free of leaks.
- Keep hands, feet, hair and clothing away from moving parts. Never wear loose clothing around machinery.
- Keep driveline universal joint angles equal and small as possible.
- Do not point discharge at people, animals or buildings. Rotor can expel wood chips fast enough to cause injury.
- Do not allow children, animals or unauthorized people into working area.
- Do not run machine inside a closed building to prevent asphyxiation from engine exhaust.
- Use care when feeding material into chipper. Do not send metal, bottles, cans, rocks, glass or other foreign material into wood chipper. If foreign material enters chipper, stop the machine, turn engine off and place ignition key in your pocket and wait for all moving parts to stop before removing material and/or unplugging. Inspect machine for damaged or loose parts before returning to work.
- Always wear P.P.E. (Personal Protective Equipment) such as safety goggles and heavy gloves whenever operating machine.
- Do not place hands or any body parts into feed hopper during operation.
- Do not move or transport chipper when the rotor is turning.
- Do not exceed a safe travel speed when transporting. Cross safety chain under hitch on trailer model when attaching to a truck.

Z94006

Z94008

DANGER

THROWN OBJECT HAZARD

To prevent serious injury or death from thrown objects:

- Turn machine off, stop and disable engine, remove ignition key and place in your pocket, set park brake and wait for all moving parts to stop before adjusting, servicing, maintaining repairing or unplugging.
- Do not direct discharge duct towards people, animals or property. Always wear appropriate safety gear. Keep hands and feet out of discharge openings.
- Keep others away.

Z94008

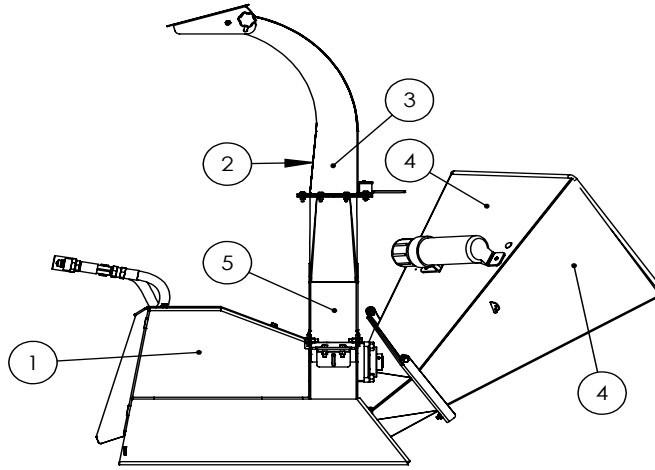
Z94019



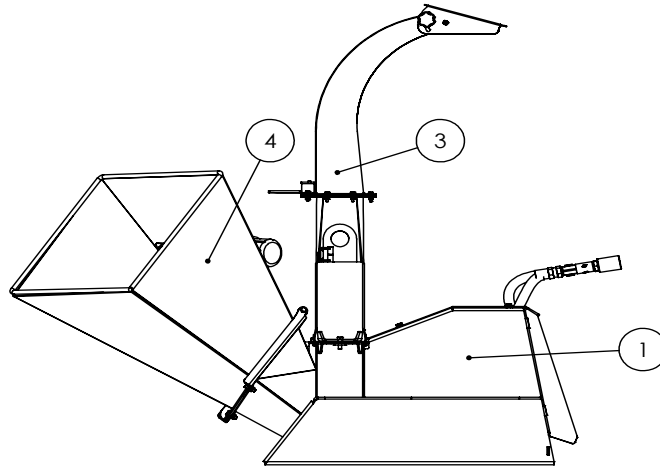
BXH42 DECAL BREAKDOWN

ITEM	PART NO.	DESCRIPTION	QTY
1	Z94056	WALLENSTEIN Decal	3
2	Z94019	1" Dia. Made In Canada	4
3	Z94008	DANGER - Thrown Object Hazard	2
4	Z94007	DANGER - Rotating Blades	3
5	Z94006	CAUTION - Read Manual	1

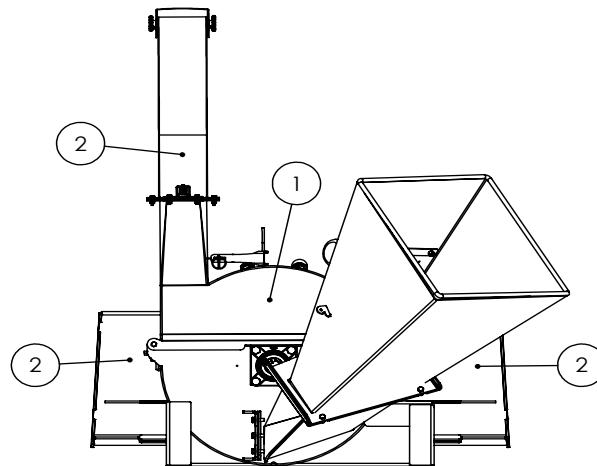
RIGHT



LEFT



FRONT





WALLENSTEIN Products Manufactured by:

EMB MFG Inc.

4144 Boomer Line
St. Clements, Ontario
Canada N0B 2M0
Phone: 1-877-695-9283
Fax: 519-699-4146
www.embmfg.com